

1/35 SCALE

ITEM NO.:09562



# Russian 2S34 Hosta Self-Propelled Howitzer/Mortar

## 俄罗斯2S34“玉簪花”自行迫榴炮

### READ BEFORE ASSEMBLY:

### 装配之前仔细阅读

- Study and understand these instructions thoroughly before beginning assembly
  - When needed, remove photo-etch parts carefully using a modeling knife or photo etch sprue cutter, being careful not to damage or lose small parts.
  - Take extra care in handling photo etch parts in order to avoid injury
  - Apply instant cement sparingly to photo etch parts where instructed
  - Tools recommended(not included in kit):Plastic and instant cements, sprue cutters,long nose pliers,modeling knife, small files, tweezers, pin vise & scissors. Soft cloth and sandpaper will also assist in construction.
  - Glue and paint are not included in the kit. Use plastic cement and hobby paints only. Color guide for purchasing paint is included in the kit.
- 小心用模型锉刀锉平所有零件表面的注射浇口。
  - 小心用刀片切下蚀刻片零件，不要遗失小零件。
  - 用镊子快干胶水粘合蚀刻片零件和金属轴。过量快干胶水使用可能导致可动零件会粘住，小心涂胶。
  - 取蚀刻片时应特别注意安全，防止利边划伤手指。
  - 某些零件表面需贴上水贴纸，请选择在装配的同时进行。
  - 推荐模型工具(自备)：胶水，水口剪刀，长咀钳，刀片，锉刀，镊子，钳，钻，剪刀，瞬间快干胶。
  - 软布同砂纸同时也应该是必备工具。
  - 请使用塑料胶水和油漆，模型内不含。



配重  
Weight



使用强力胶  
Cyanoacrylate glue



钻孔  
Make hole



切除  
Cut / Remove



贴纸  
Decal



锉平  
File / Sand



选择  
Option



不涂胶水  
No cement



弯曲  
Bend



先装  
Install it first

### 水贴纸的使用:

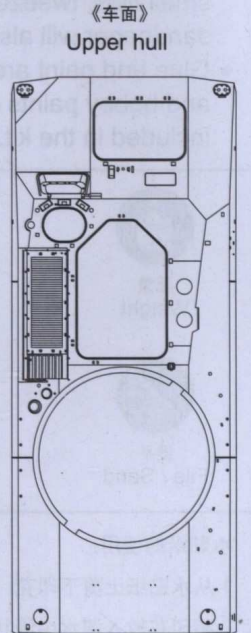
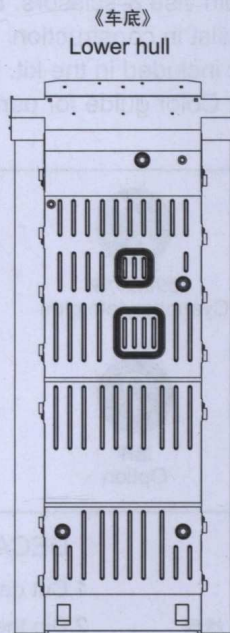
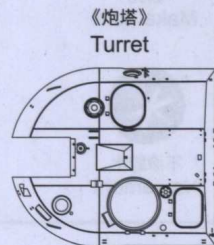
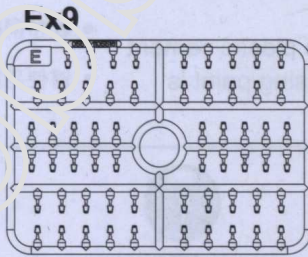
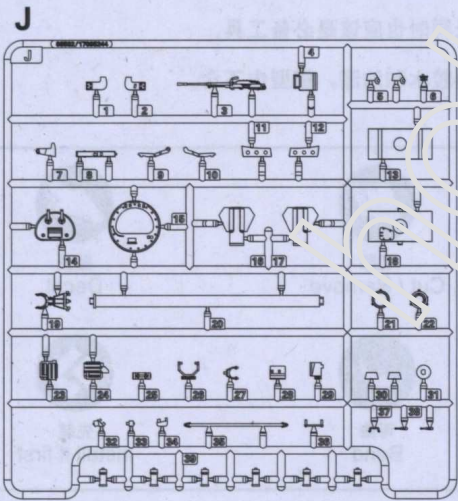
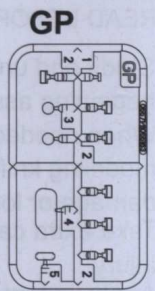
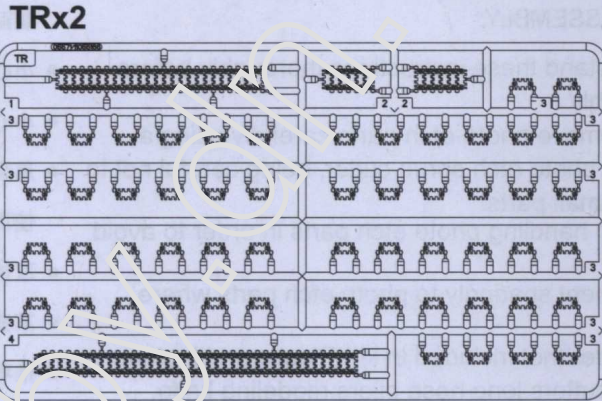
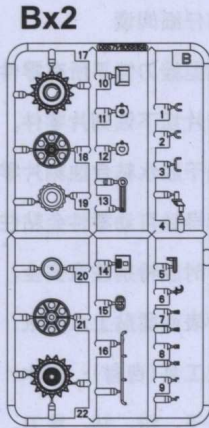
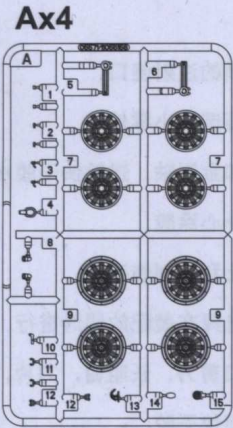
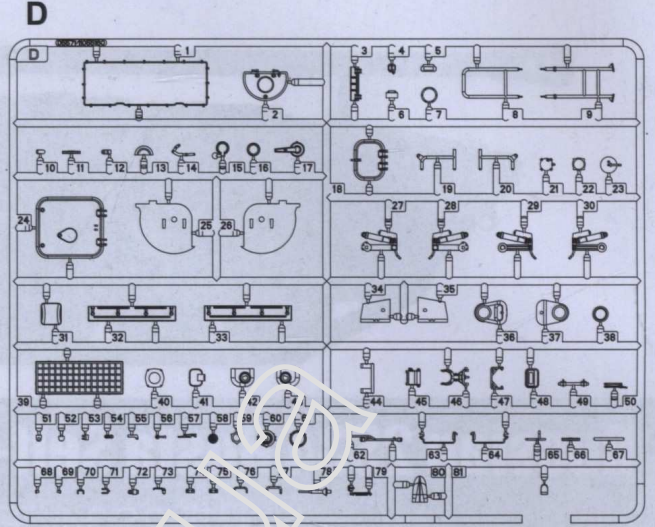
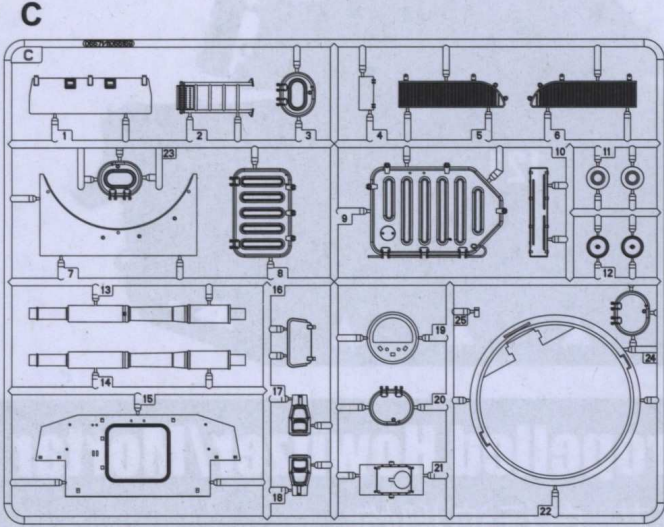
- 1.从水贴纸上剪下印花;
- 2.将印花放入温水中浸10秒，然后放在干净布上。
- 3.拿着印花纸板将印花移到模型上;
- 4.手指蘸水将印花移到适当的位置;
- 5.用软布轻压印花直至水干，气泡消失

### DECAL APPLICATION

- 1.Cut decals from sheet as needed
- 2.Dip the decal in warm water for about 10 seconds and then place on soft clean cloth.
- 3.Hold the decal backing sheet edge and gently slide the decal onto the model in its proper position.

- 4.While still wet,decal can be adjusted for better fit on model by dampening it gently with your finger.
- 5.When placed in the proper position,gently press decal down with a soft cloth until excess water and air bubbles are gone.
- 6.Allow decal to dry completely before handling model

部品图  
Parts



《铜线》  
Brass wire



PE-A



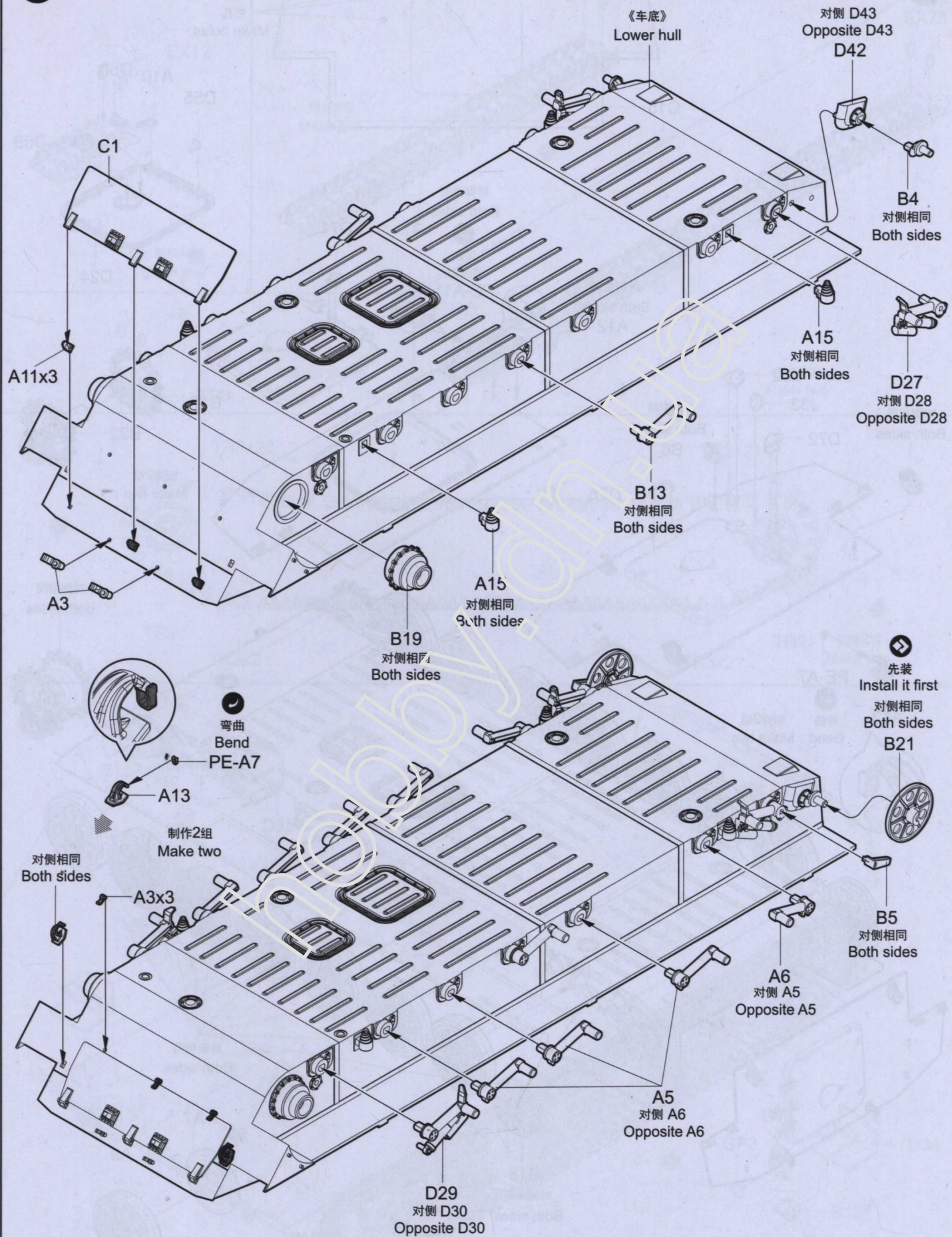
PE-B



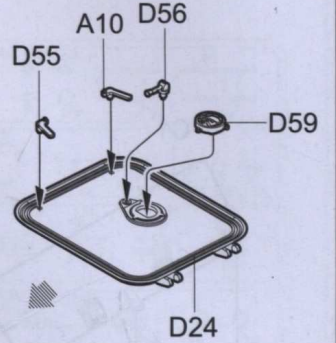
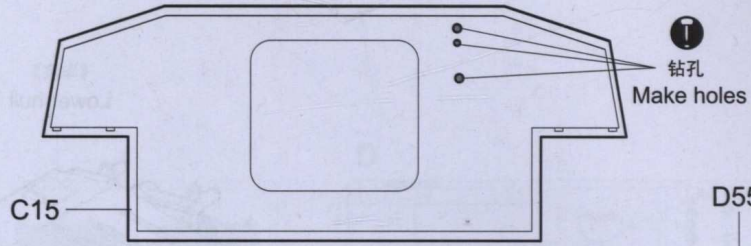
《水贴》  
Decal



1



2



对侧相同  
Both sides

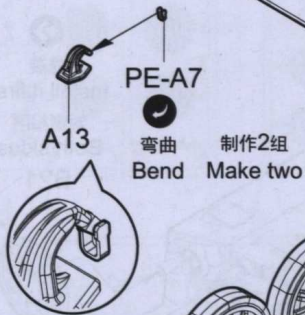
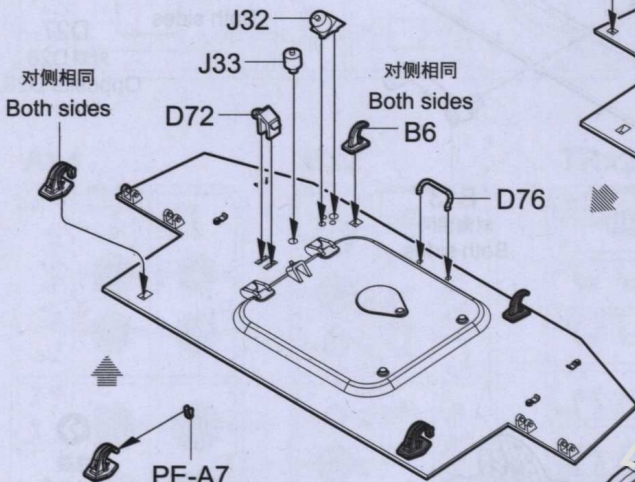
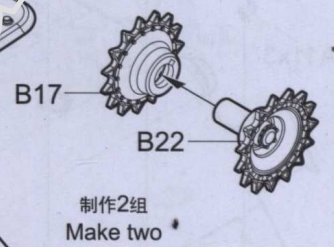
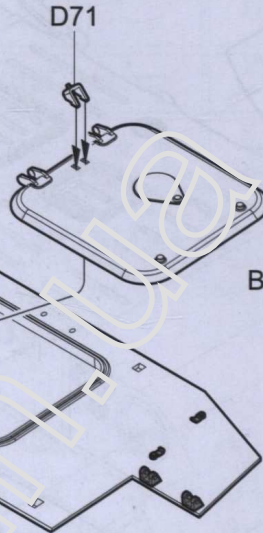


弯曲  
Bend

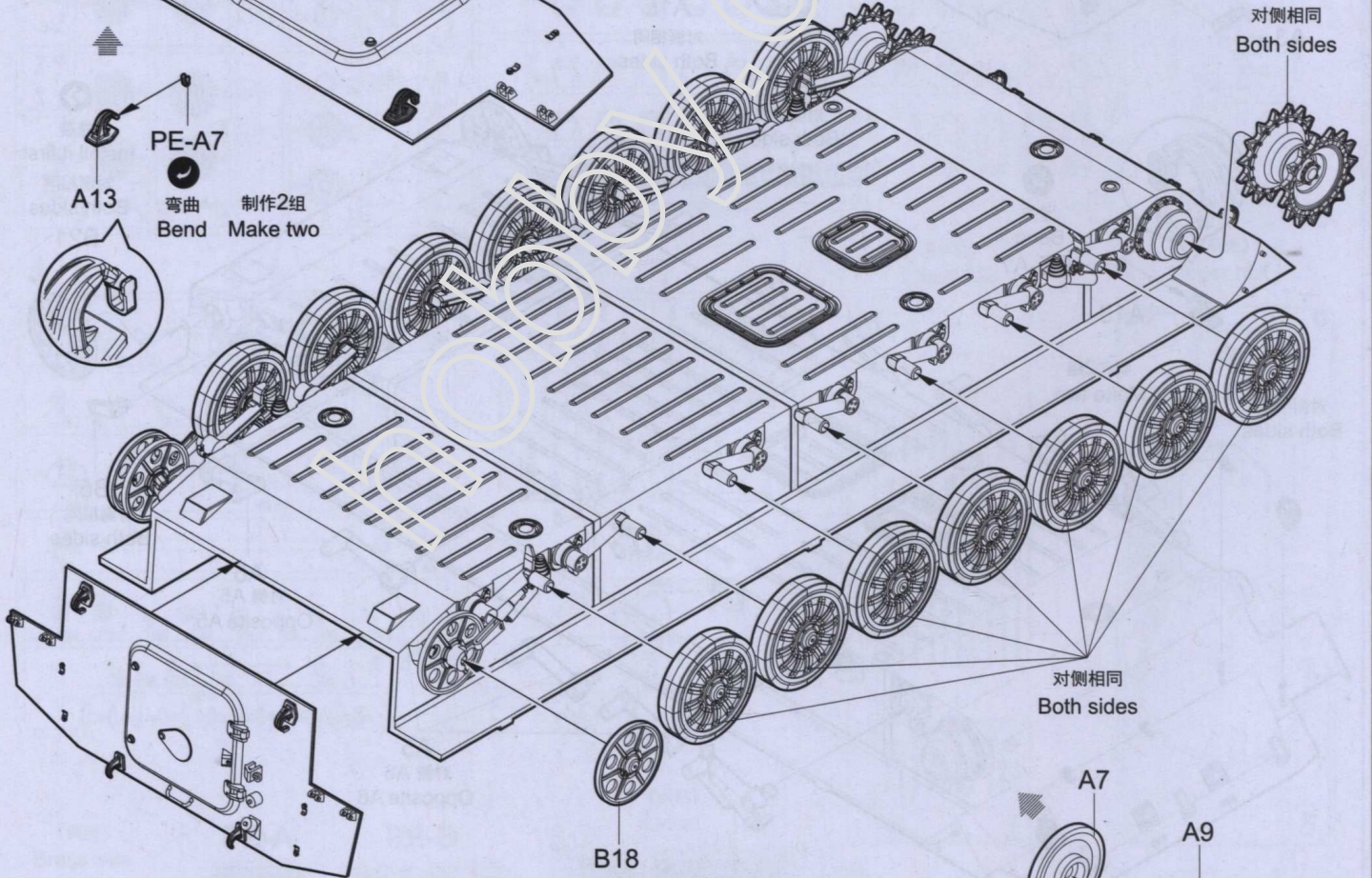
对侧相同  
Both sides

对侧相同  
Both sides

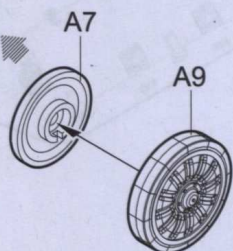
A12



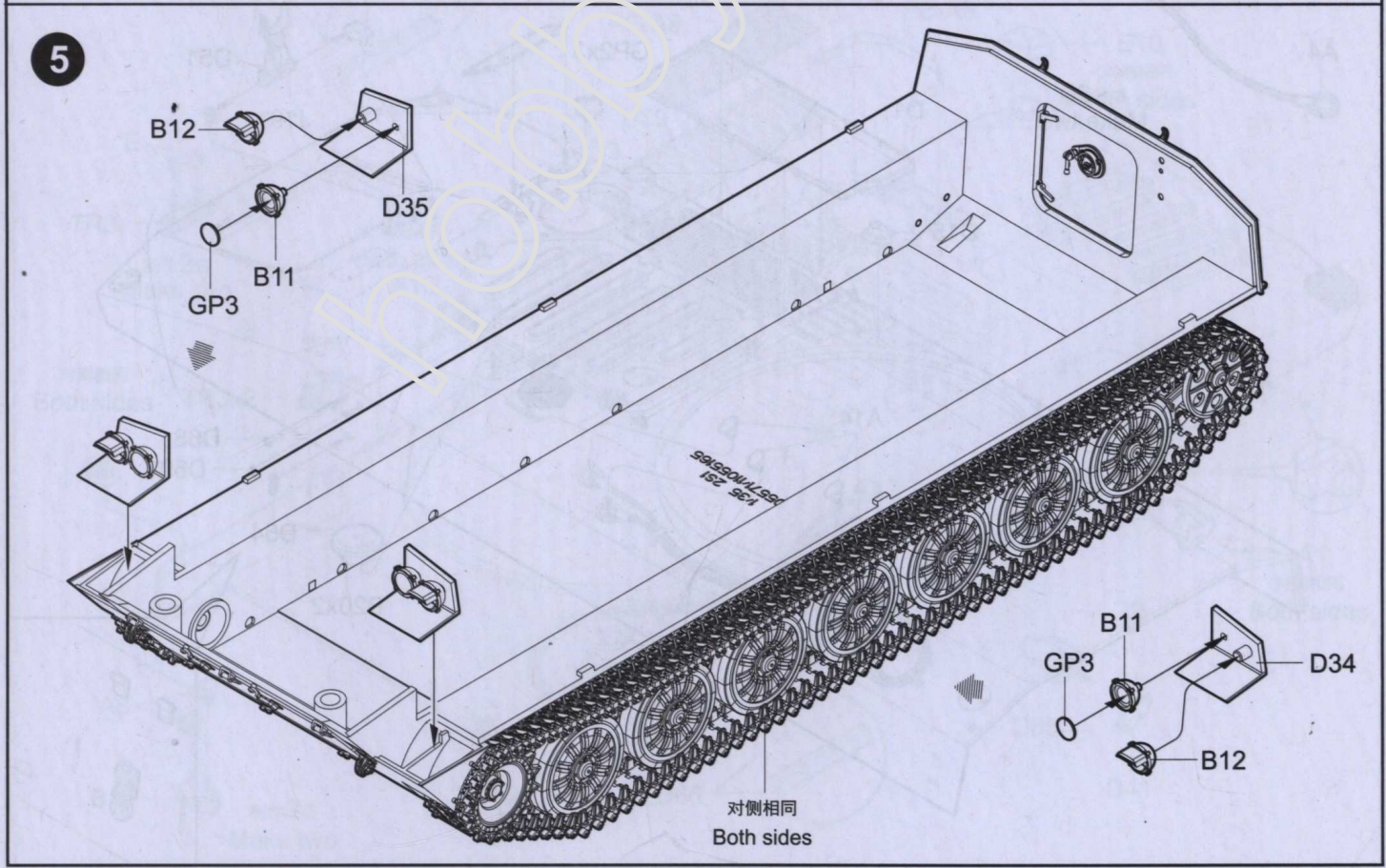
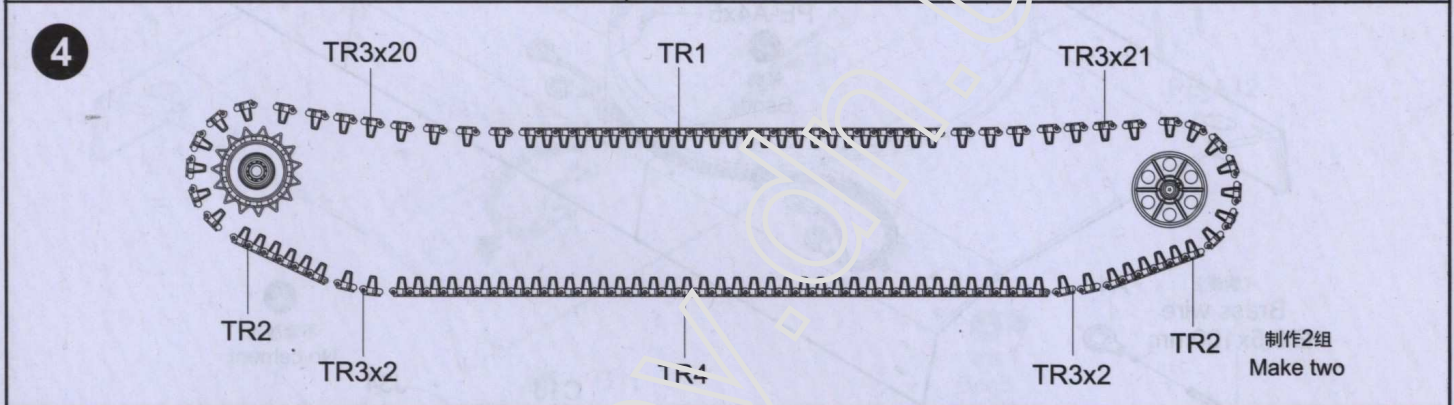
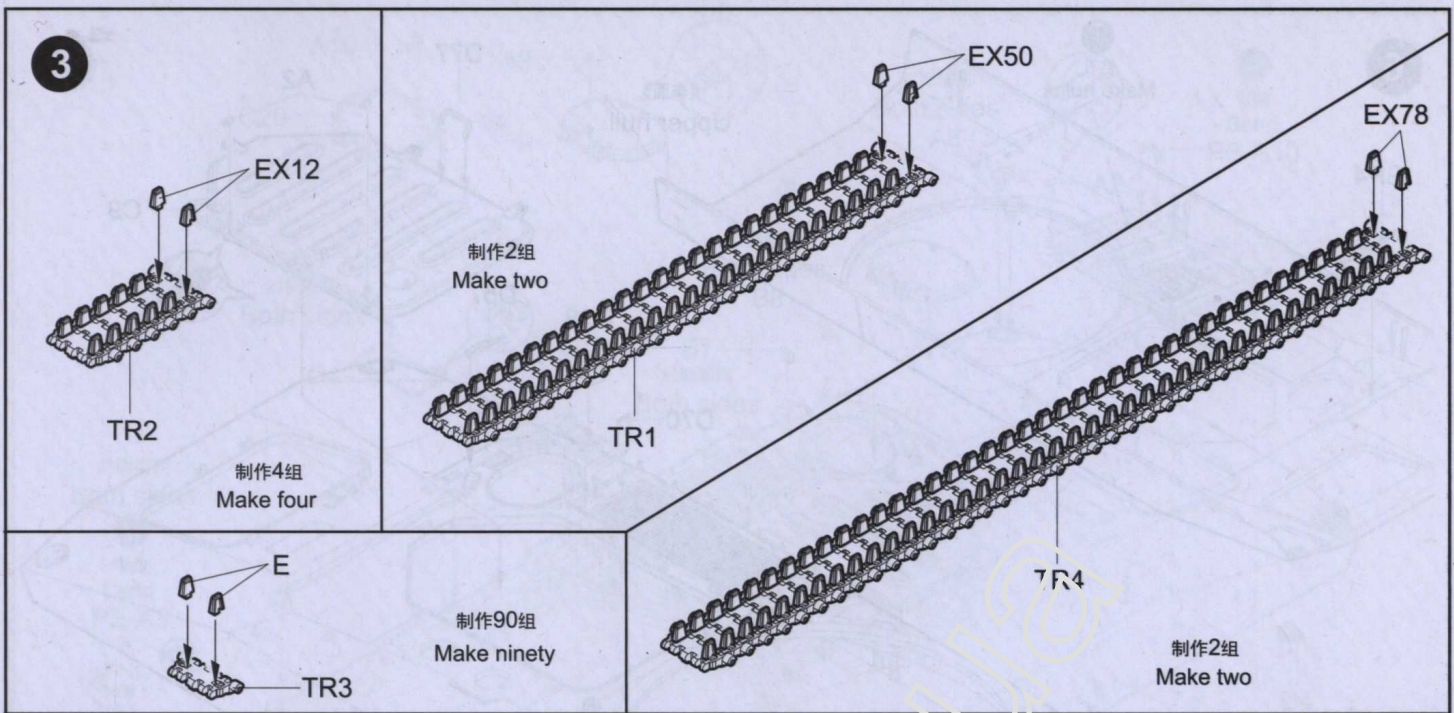
对侧相同  
Both sides



B18  
对侧相同  
Both sides



制作14组  
Make fourteen



6

① 钻孔  
Make holes

《车面》  
Upper hull

D77

A2

GP4

C9

D38

D57

D70

PE-A4x5  
弯曲  
Bend

《铜线》  
Brass wire  
Ø0.5x100mm

制作2组  
Make two

不涂胶水  
No cement

A4

C16

J34

D51

D1

GP2x3

J19

D15

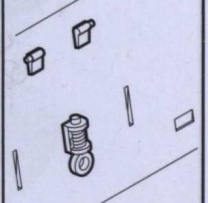
A14

D68

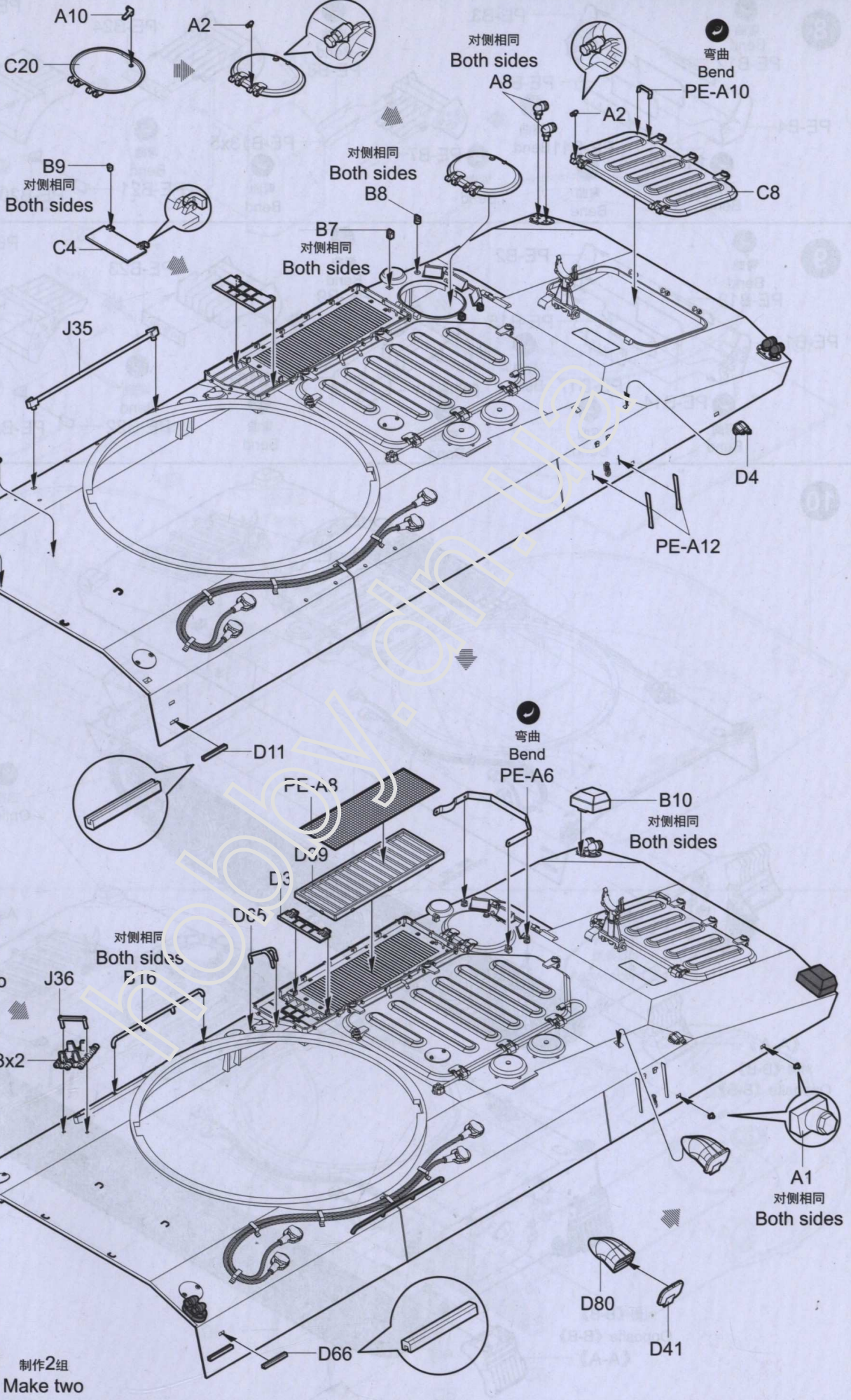
D69

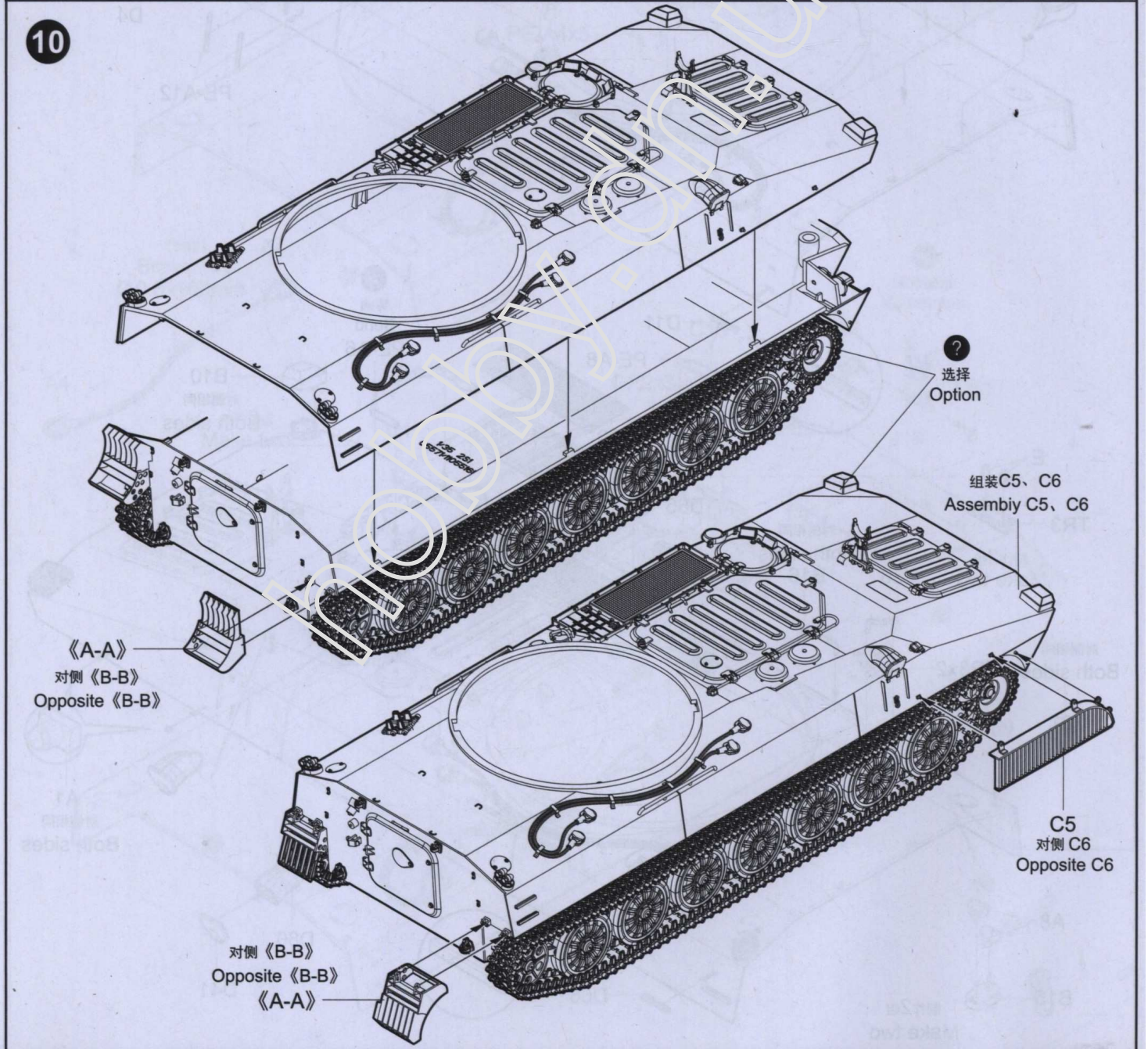
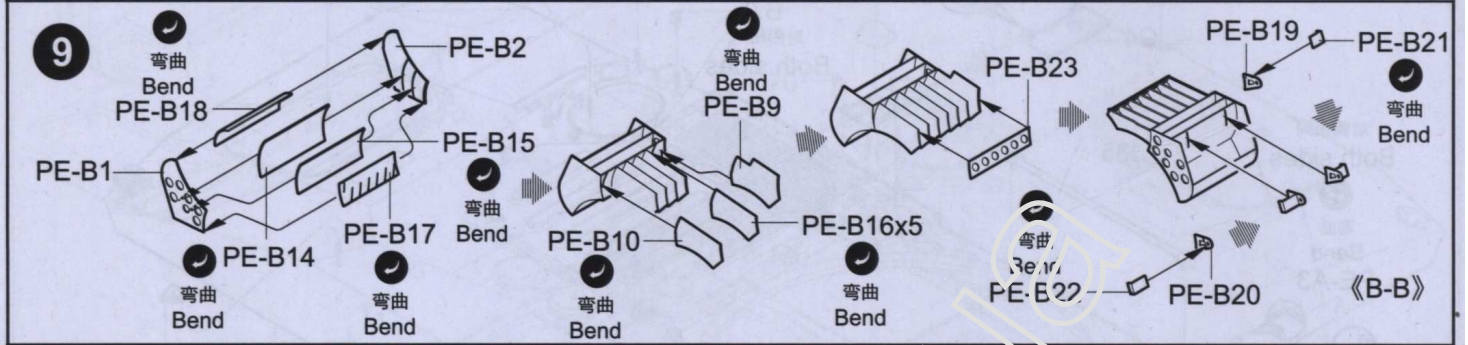
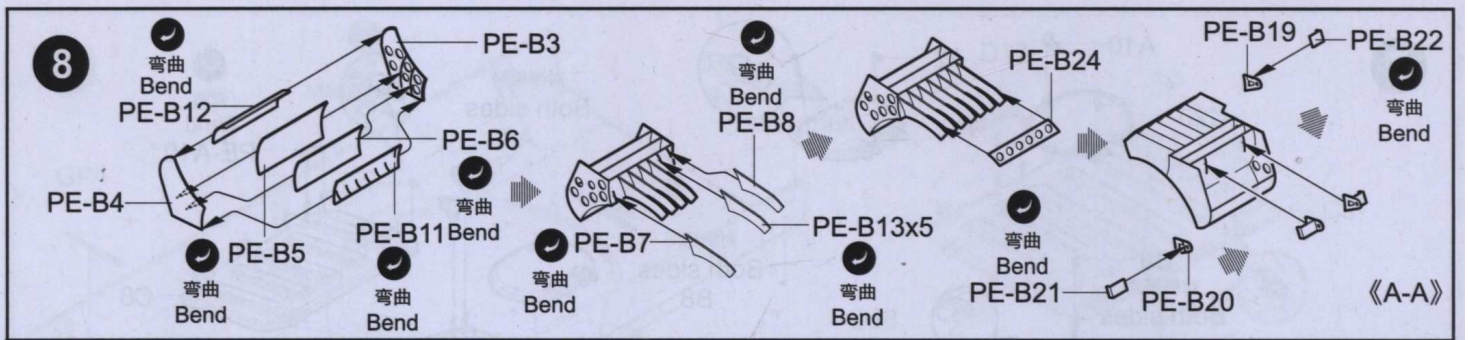
D54

B20x2



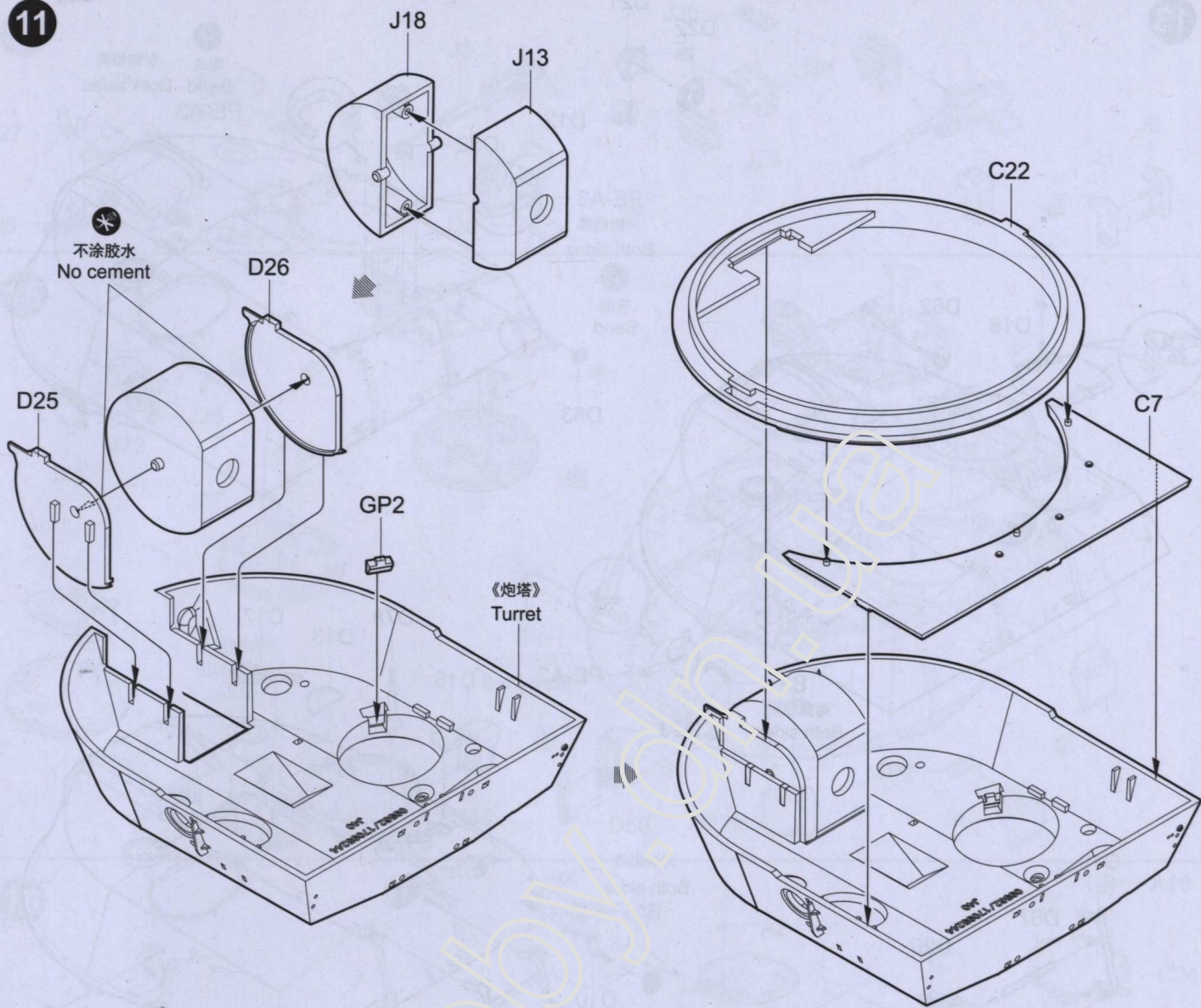
7



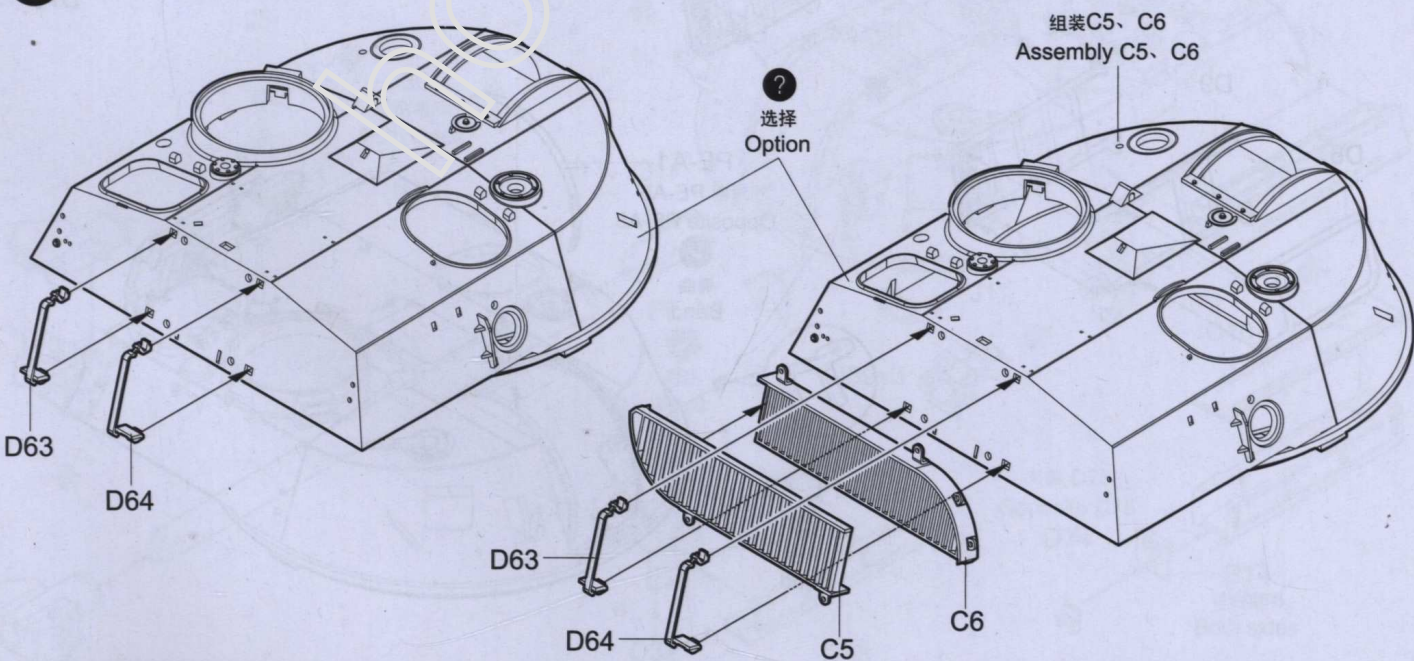




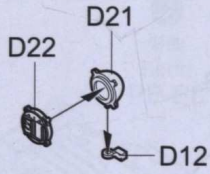
11



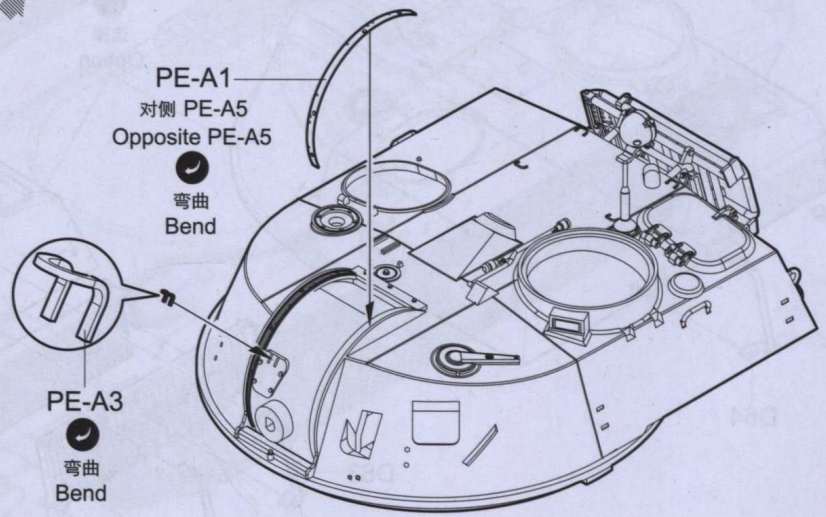
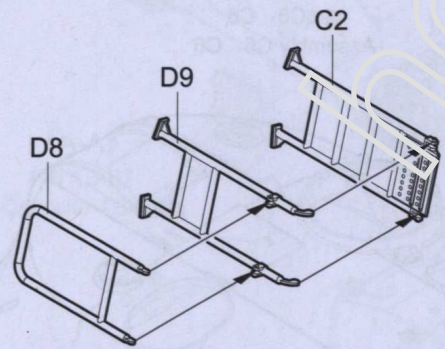
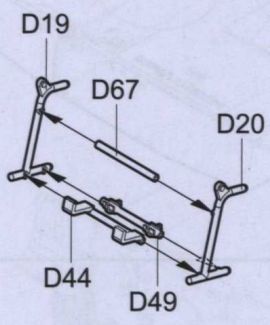
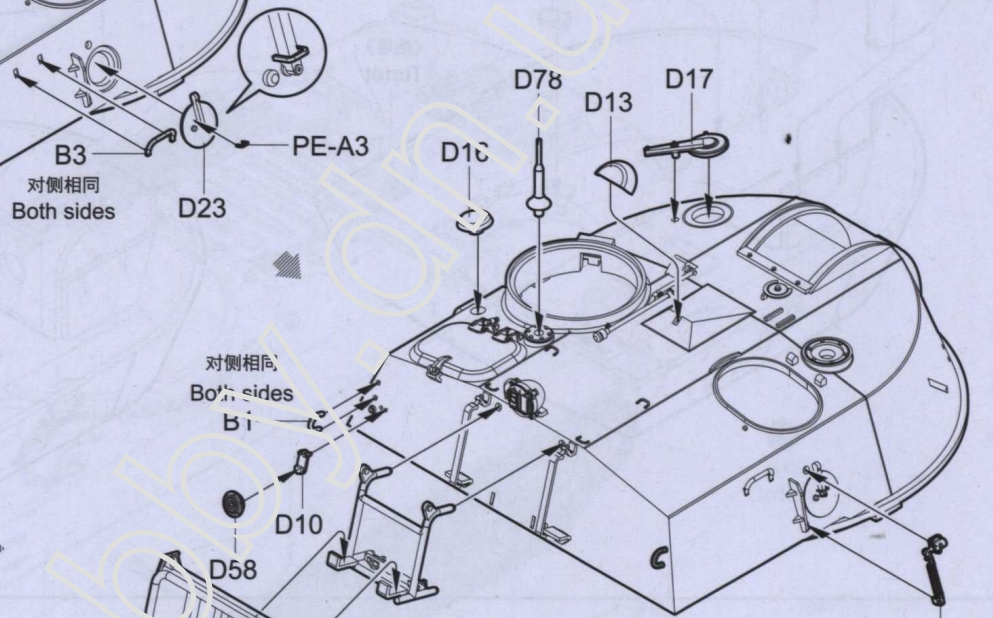
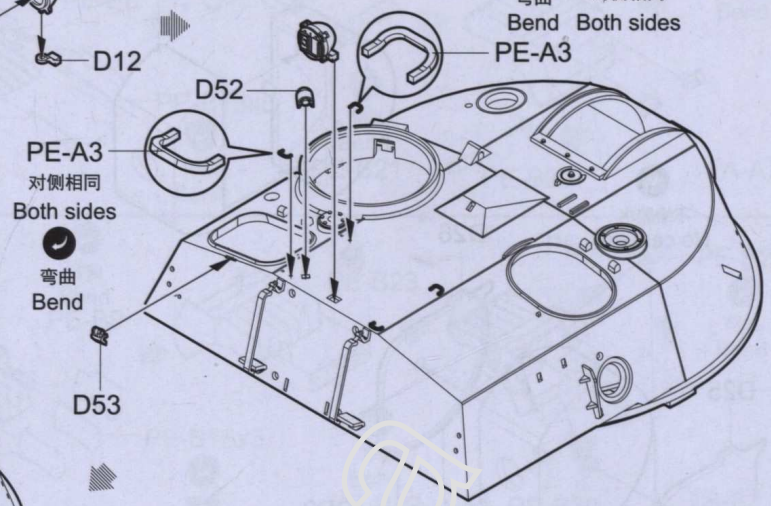
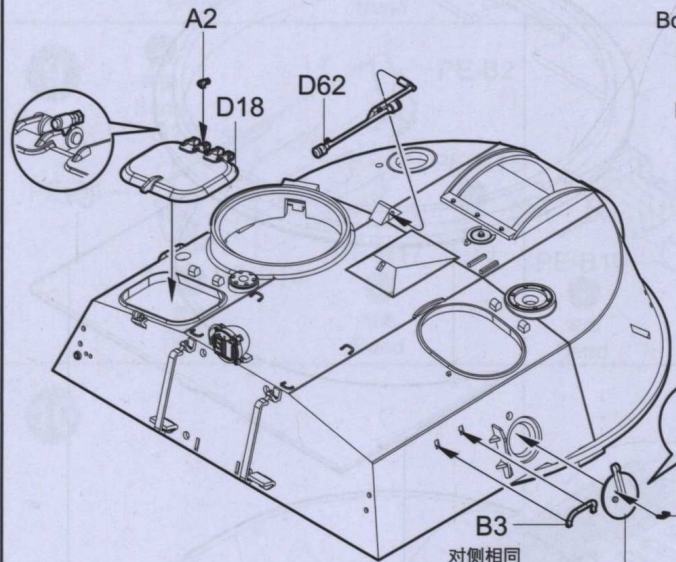
12



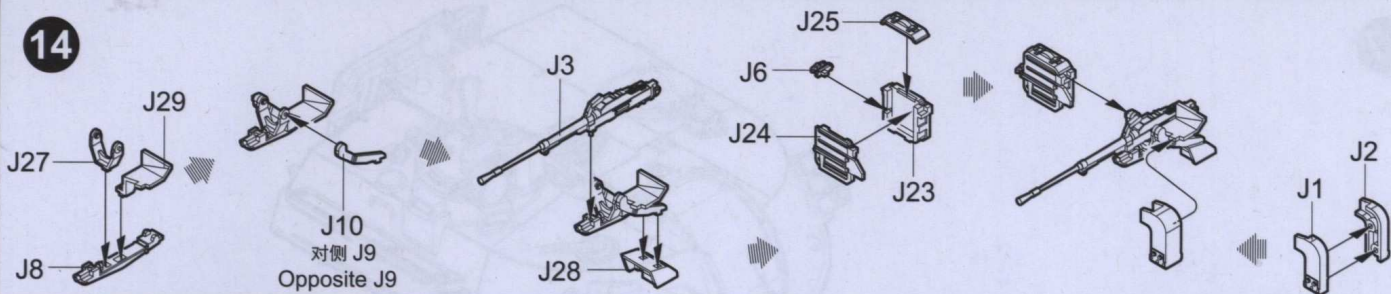
13



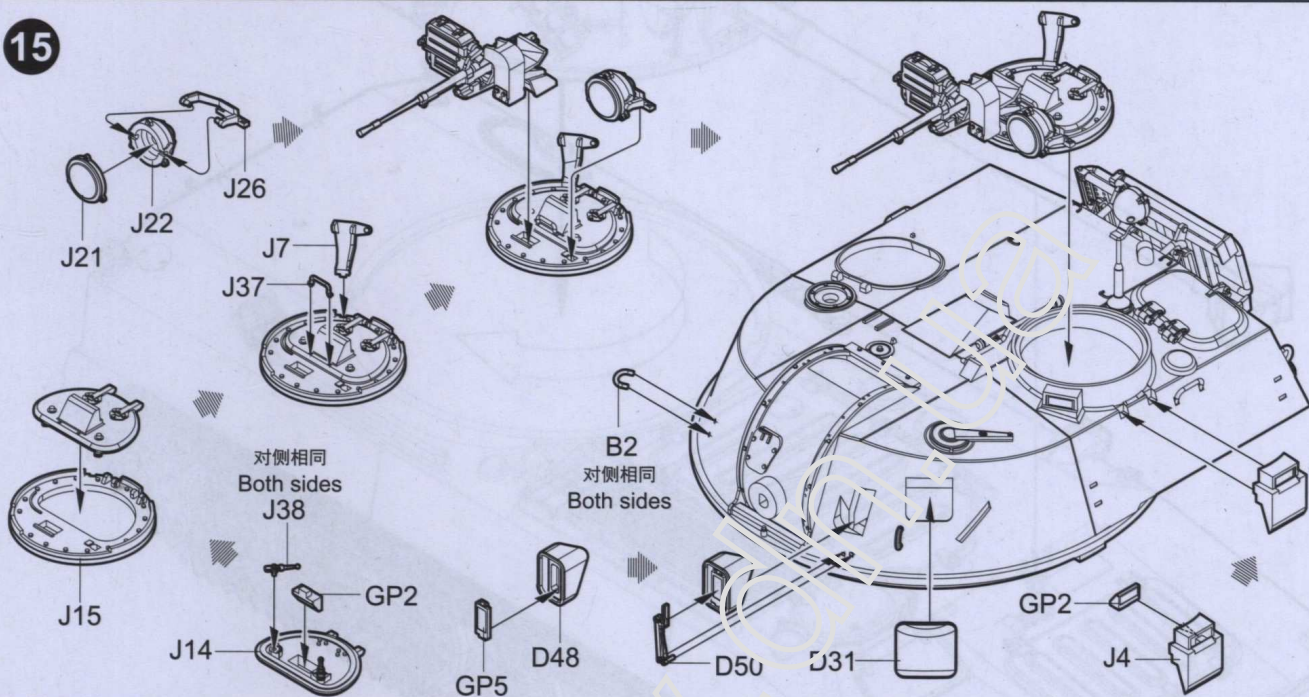
弯曲 对侧相同  
Bend Both sides



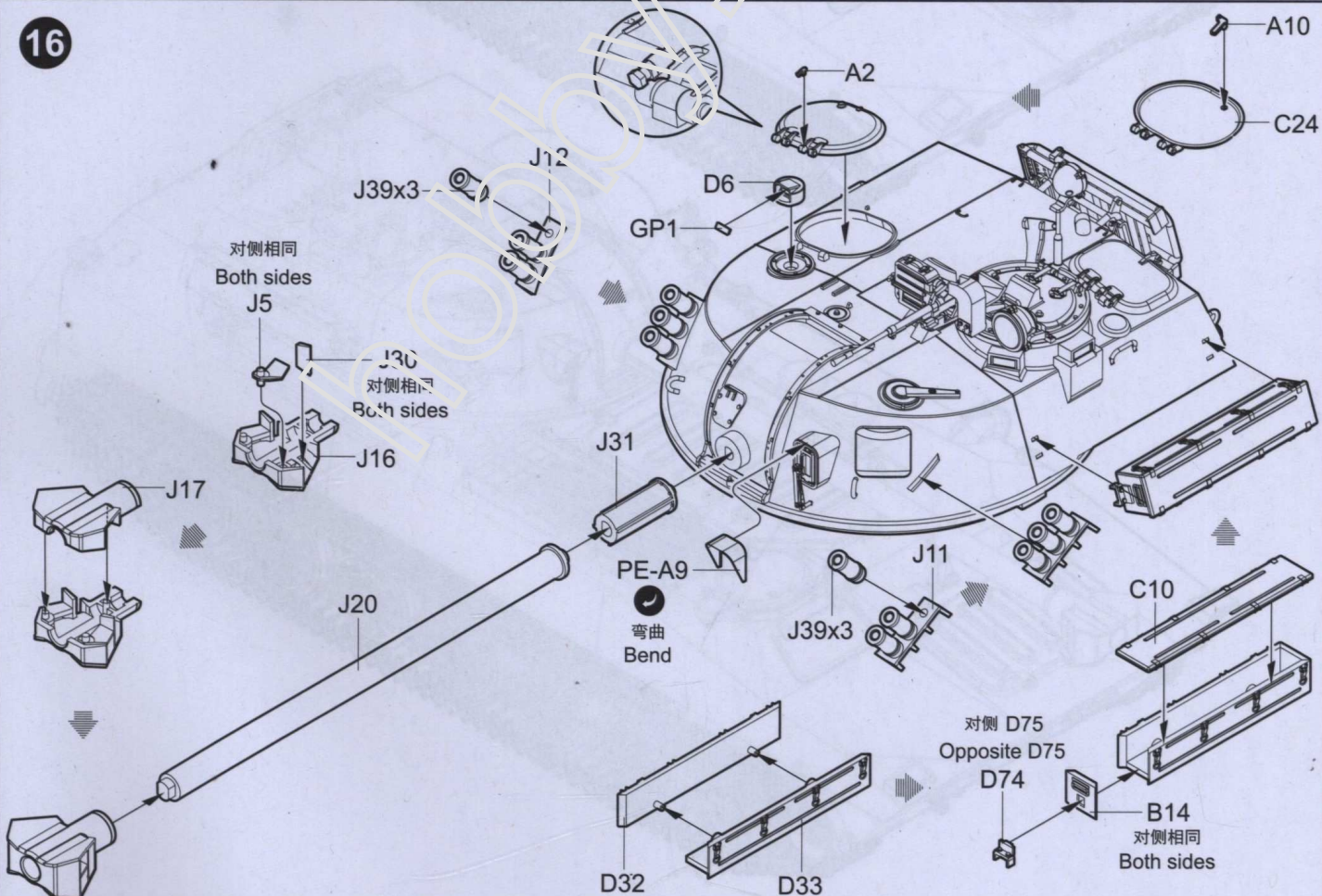
14

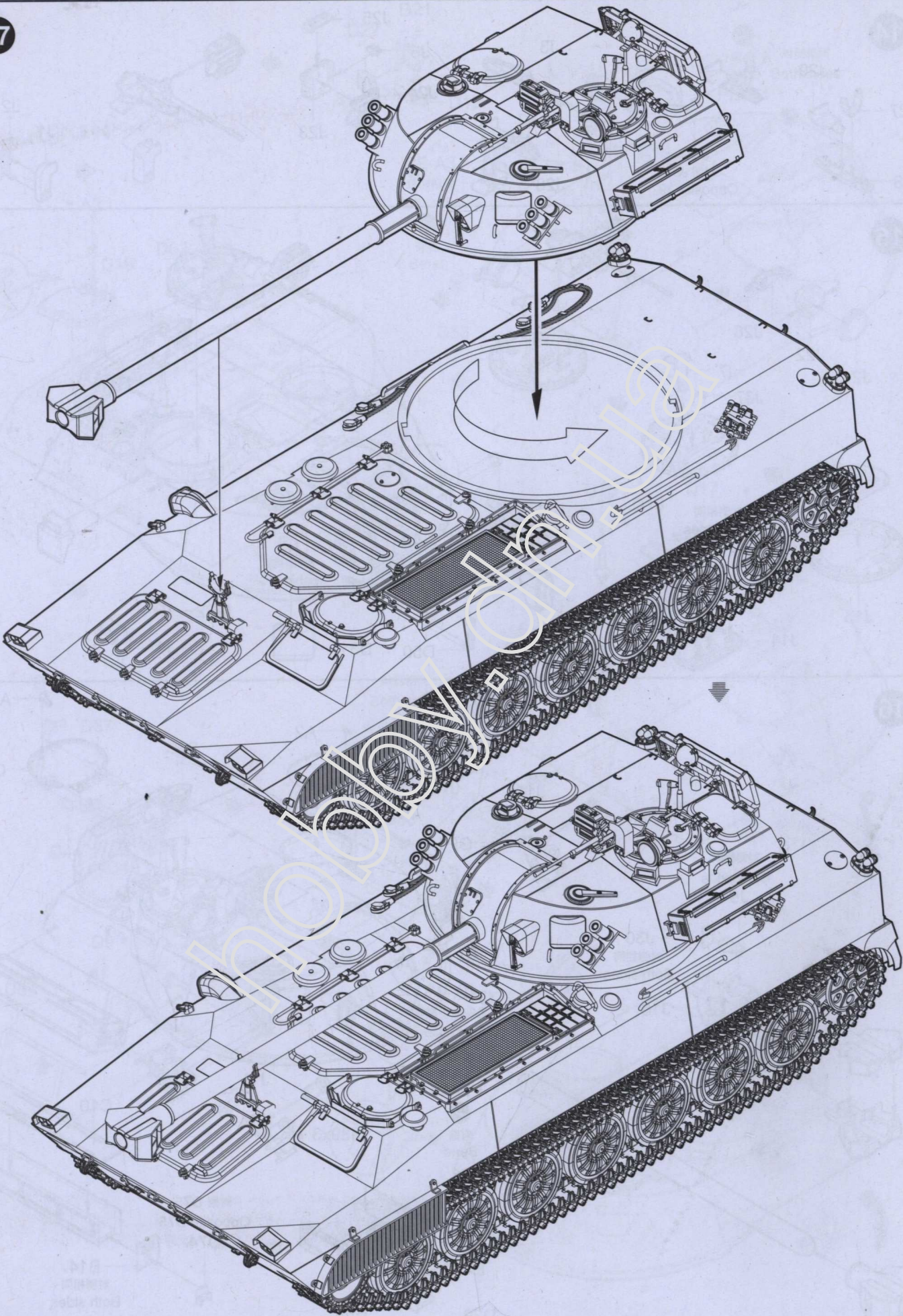


15



16





# 涂装同标贴指示

## Painting & Marking guide

### PAINT REFERENCE COLOR

Color	Mr.Hobby	Acrycion	Vallejo	Model Master	Tamiya	Humbrol
Light Green 绿色	H 303 303	N 303	-	1713	XF20	117
Tire Black 胎黑色	H 77 137	N 77	-	-	-	-
Steel 黑铁色	H 18 28	N 18	864	1402	-	-
Wood Brown 木棕色	H 37 43	N 37	983	1701	-	186

**A**

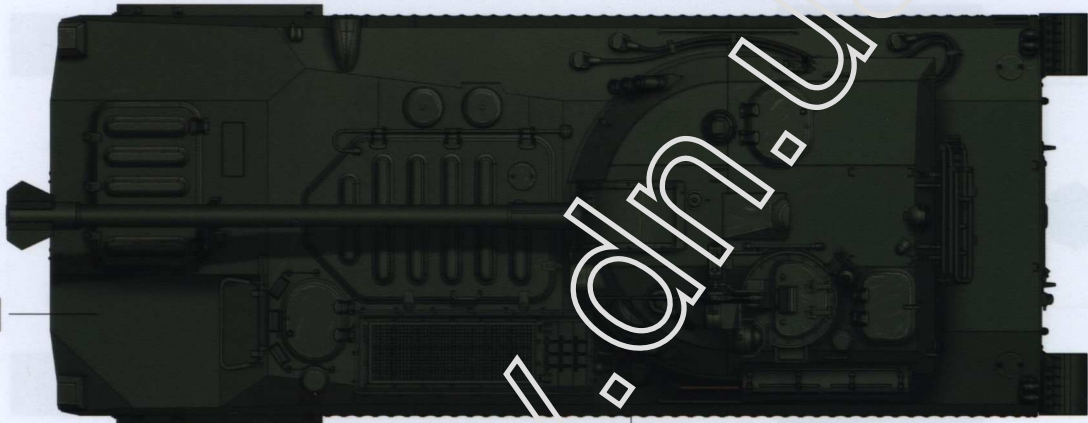
H 303 303

H 18 28



H 77 137

7



H 303 303

H 18 28

H 37 43

H 3 3

H 303 303

H 18 28



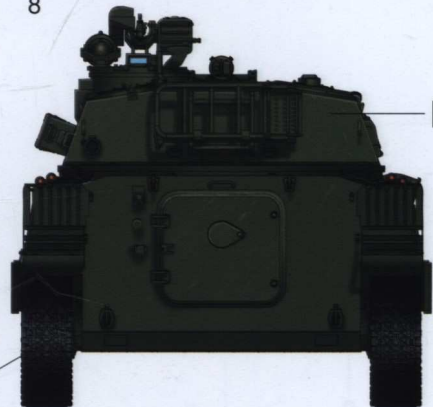
H 18 28

8

H 303 303



H 303 303



H 18 28

H  AQUEOUS HOBBY COLOR     Mr. COLOR  
N  ACRYSION COLOR

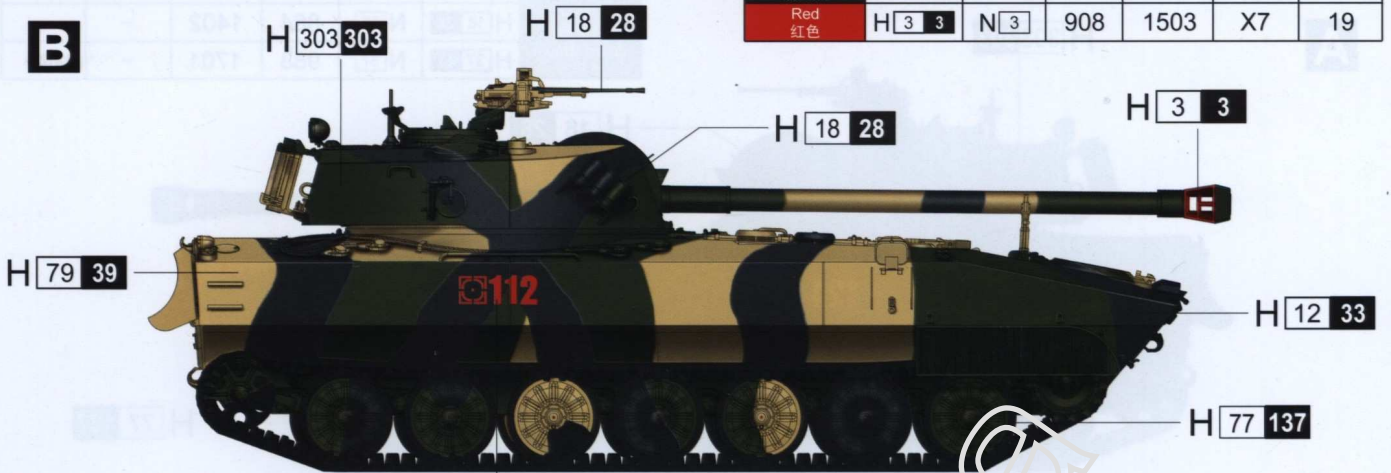
# 涂装同标贴指示

## Painting & Marking guide

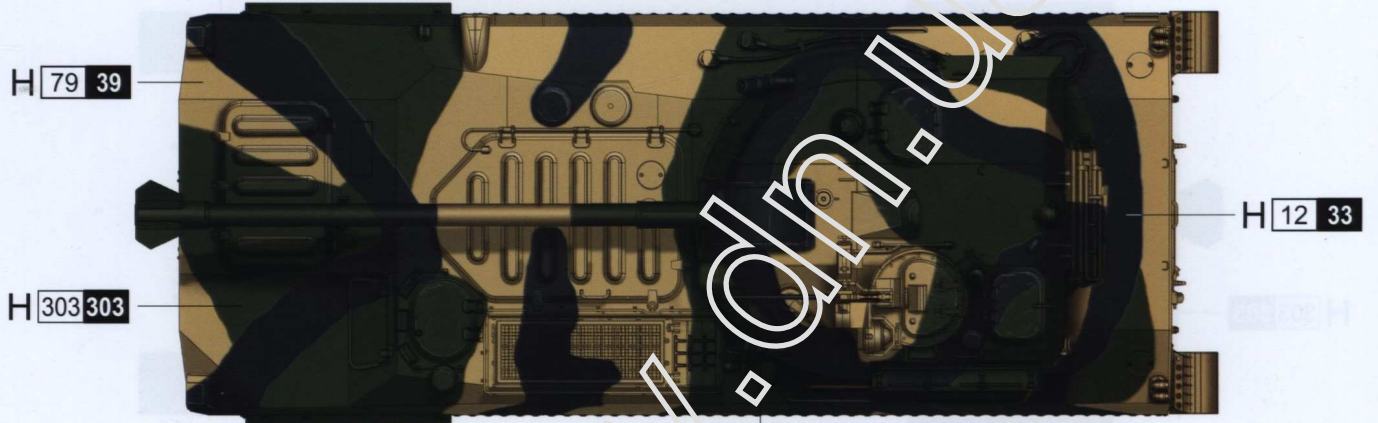
### PAINT REFERENCE COLOR

Color	Mr.Hobby	Acrycion	Vallejo	Model Master	Tamiya	Humbrol
Sandy Yellow(Dark Yellow) 砂黄色	H 79 39	N 79	842	-	XF59	93
Flat Black 消光黑	H 12 33	N 12	950	1749	XF1	33
Red 红色	H 3 3	N 3	908	1503	X7	19

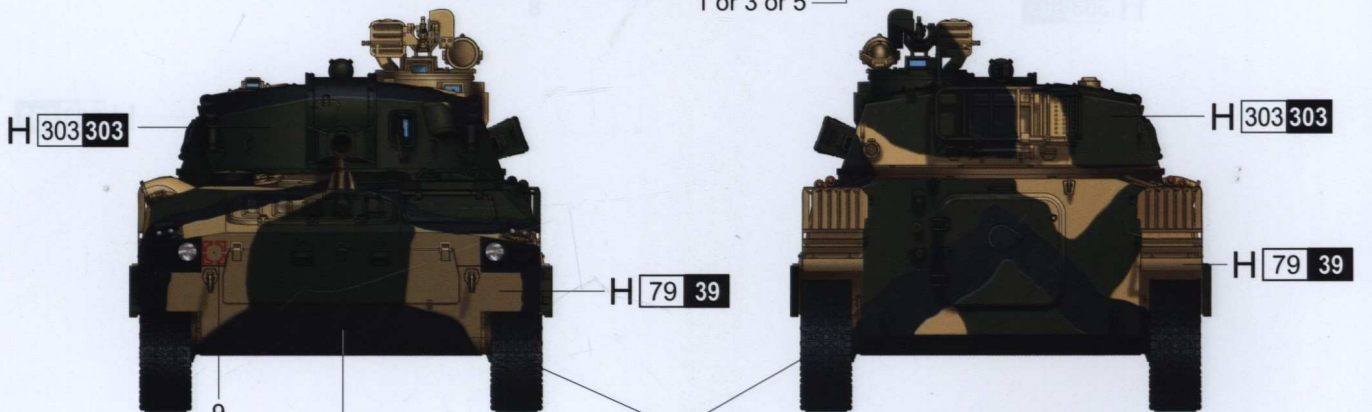
**B**



2 or 4 or 6



1 or 3 or 5



H  AQUEOUS HOBBY COLOR     Mr. COLOR  
N  ACRYCION COLOR