

A very brief history: Developed based on the Soviet Union T-64 at the Morozov Design Bureau in Kharkov, the T-80 was putted into service in 1976. In 1985, a modenized version, T-80U developed. Featuring a newly designed turret which equipped with the second generation "Kontakt 5" explosive reactive armour and a Brod-M deep wading equipment. Arming with a 125mm 2A46-1 smooth bore gun which can fire the 9M119 Refleks (AT-11 Sniper) guided missile and the Long-Rod penetrator (HVAPFSDS) 3BM46. With a top speed of 70km/hour, T-80U is one of the fastest tank in service today. gas turbine engine and it was Being the first tank ever fitted with a gas-turbine engine, the GTD-1250 produced 1,250 hp (919 kW). It's mobility also ensured by the planetary power transmission controlled with hydraulic servo-system. Running gear featuring torsion bar suspension with hydraulic telescopic double-acting shock absorbers, RMSH track and rubber-tyred road wheels. The tanks are currently in service with the Russian Federation Ground Forces and also exported to China, Cyprus and South Korea.

Attention :

Please study the instruction before assemblies. It is always a good idea to test fit before actual gluing parts together.

Take extreme care when using sharp tools such as modeling knives and chisels. Mould lines are inevitable. Always clean up the mould lines by scraping with modeling knife then sand paper them smooth.

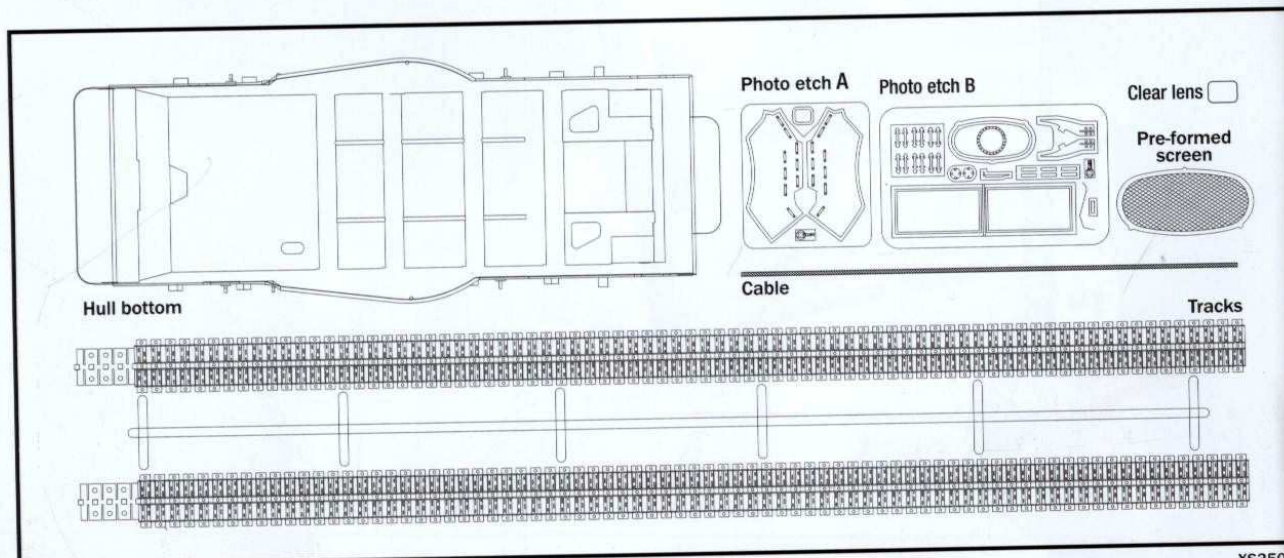
Also take great care when using glues especially Cyanoacrylate Glue (Super Glue.) It's fast drying and will bond your figures together. If that should happen, try soften it with acetone base nail polish remover. Other wise, have patient, it will eventually come off. NEVER TRY TO TEAR YOUR FIGURES APART!

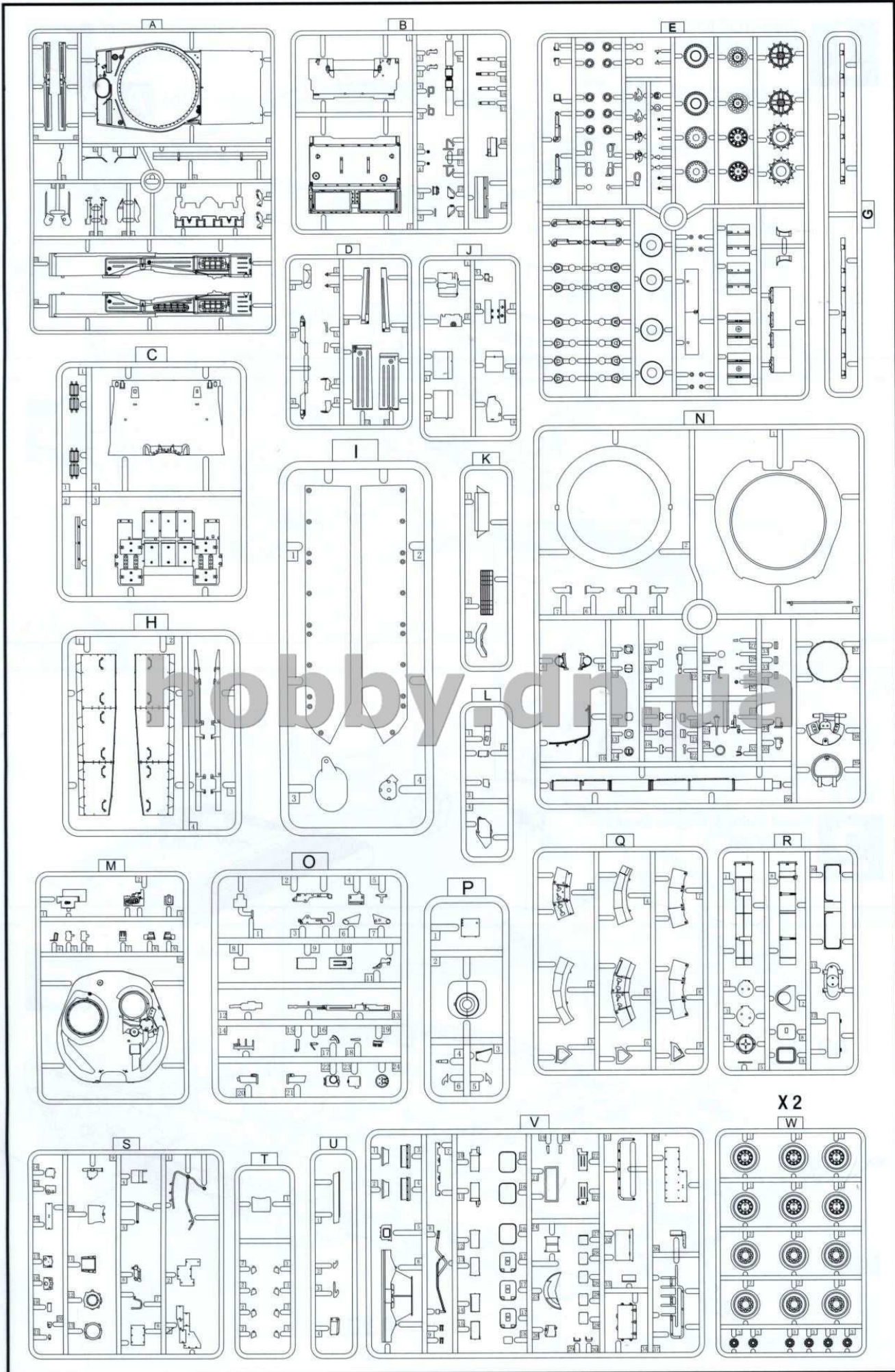
**T-80U
Building
INSTRUCTION**

When applying decals. Cut required decal from the decal sheet. Soak it in warm water for five seconds or until the backing paper are thoroughly soad. Lay the wet decal on a bed of kitchen tissue paper and wait until the decal comes loose of the backing paper. Hold the decal by its backing paper and slide the decal into possition. It is always better to use setting solutions when applying decals. All setting solutions tend to soften the decal so it can snuggle to the surface more tightly. Never touch the decal when the setting solution is taking its effect. The decal may wrinkel initially but will flattens out eventually.

The T-80U is a very complex model. Please take your time to get famlier with the instruction and enjoy the kit.

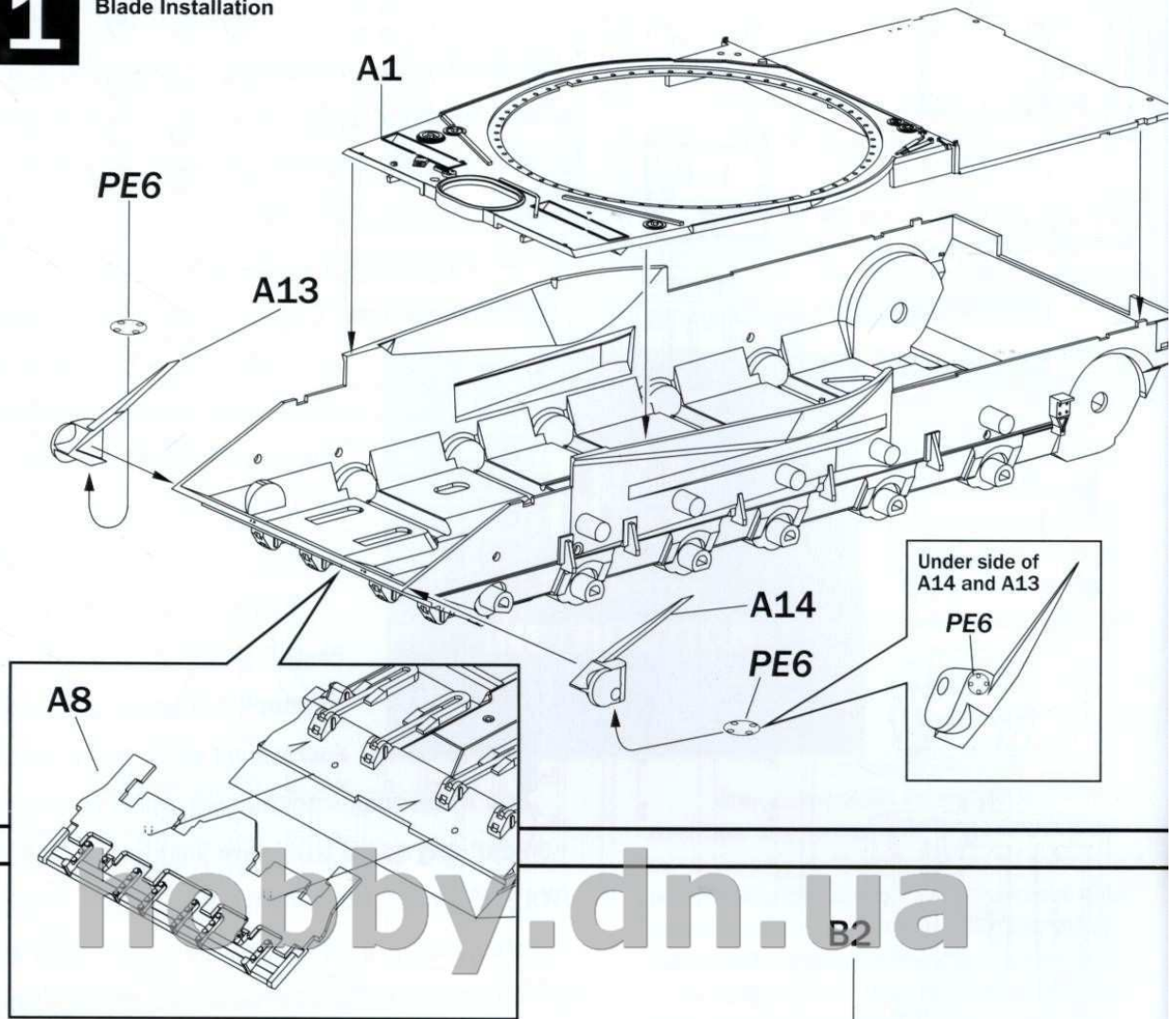
Tamiya Acrylic Paints denoted by 'X' and 'XF' and Hobby Color Aqueous Paints denoted by 'H'.





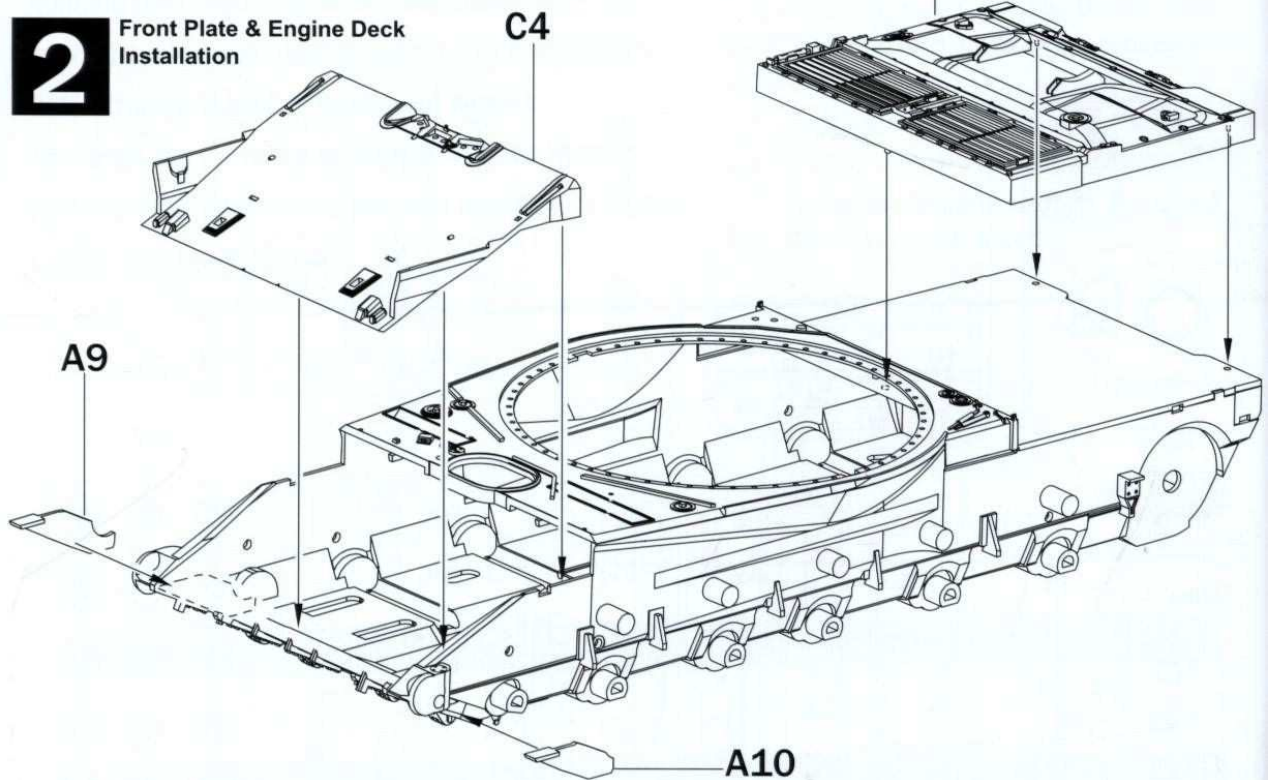
1

Upper Hull & Dozer Blade Installation



2

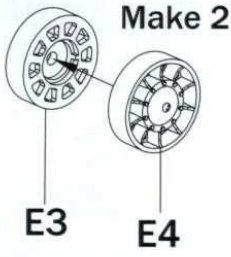
Front Plate & Engine Deck Installation



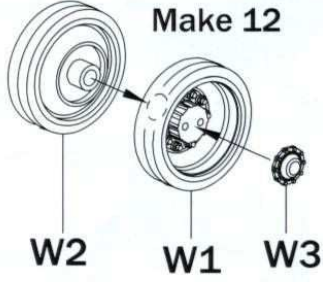
3

Wheels Assembly

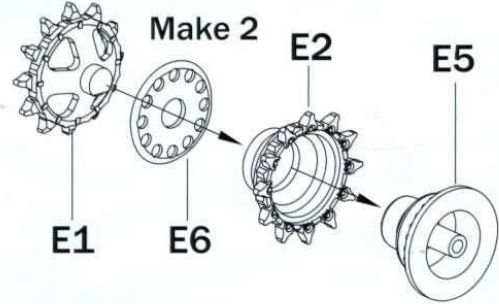
A Idler wheel



B Road wheel

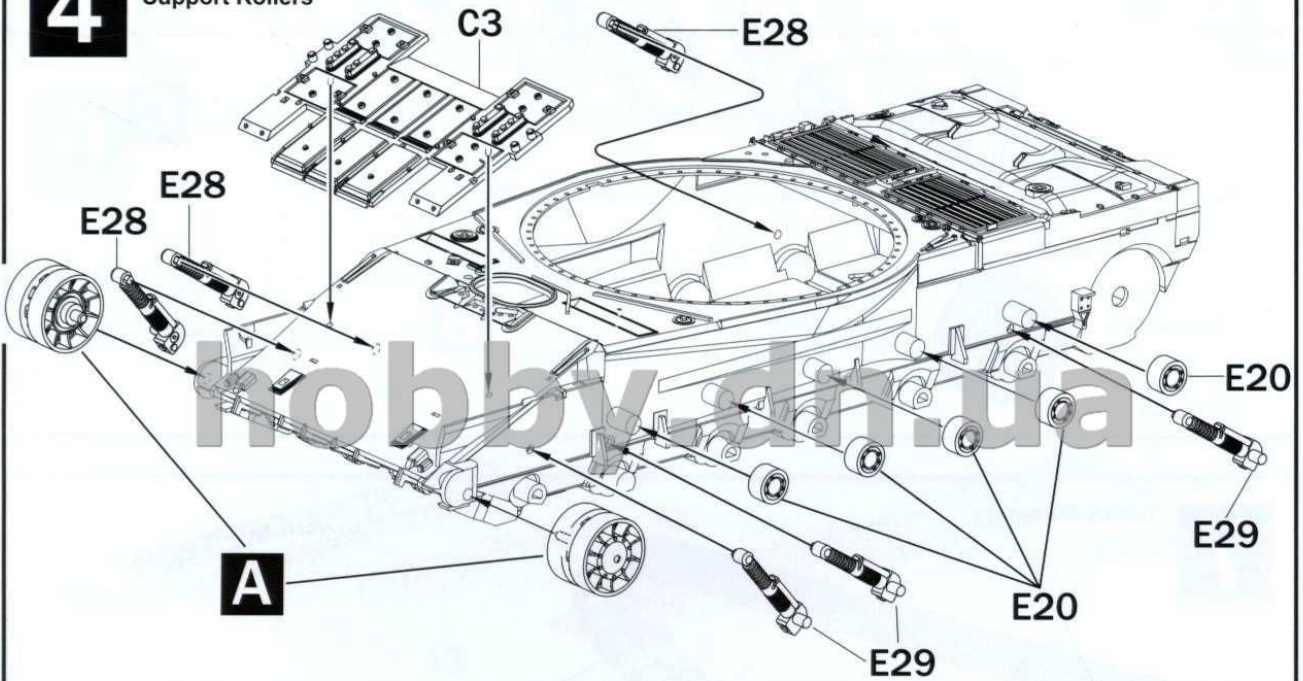


C Drive sprocket



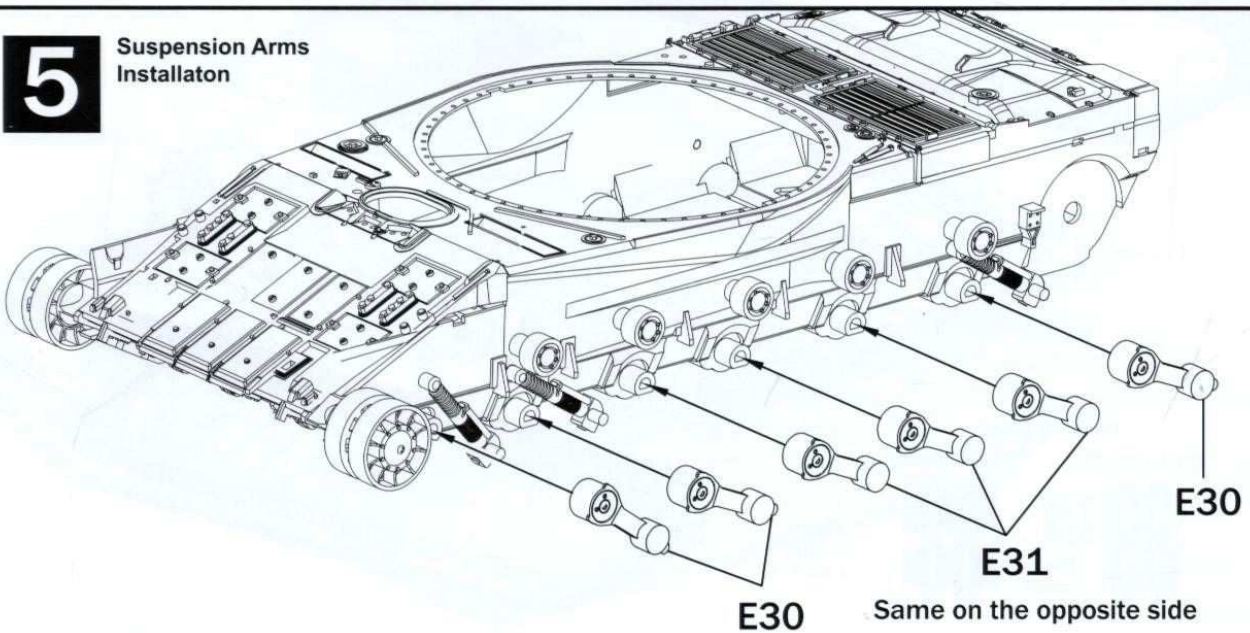
4

Front Armor & Support Rollers



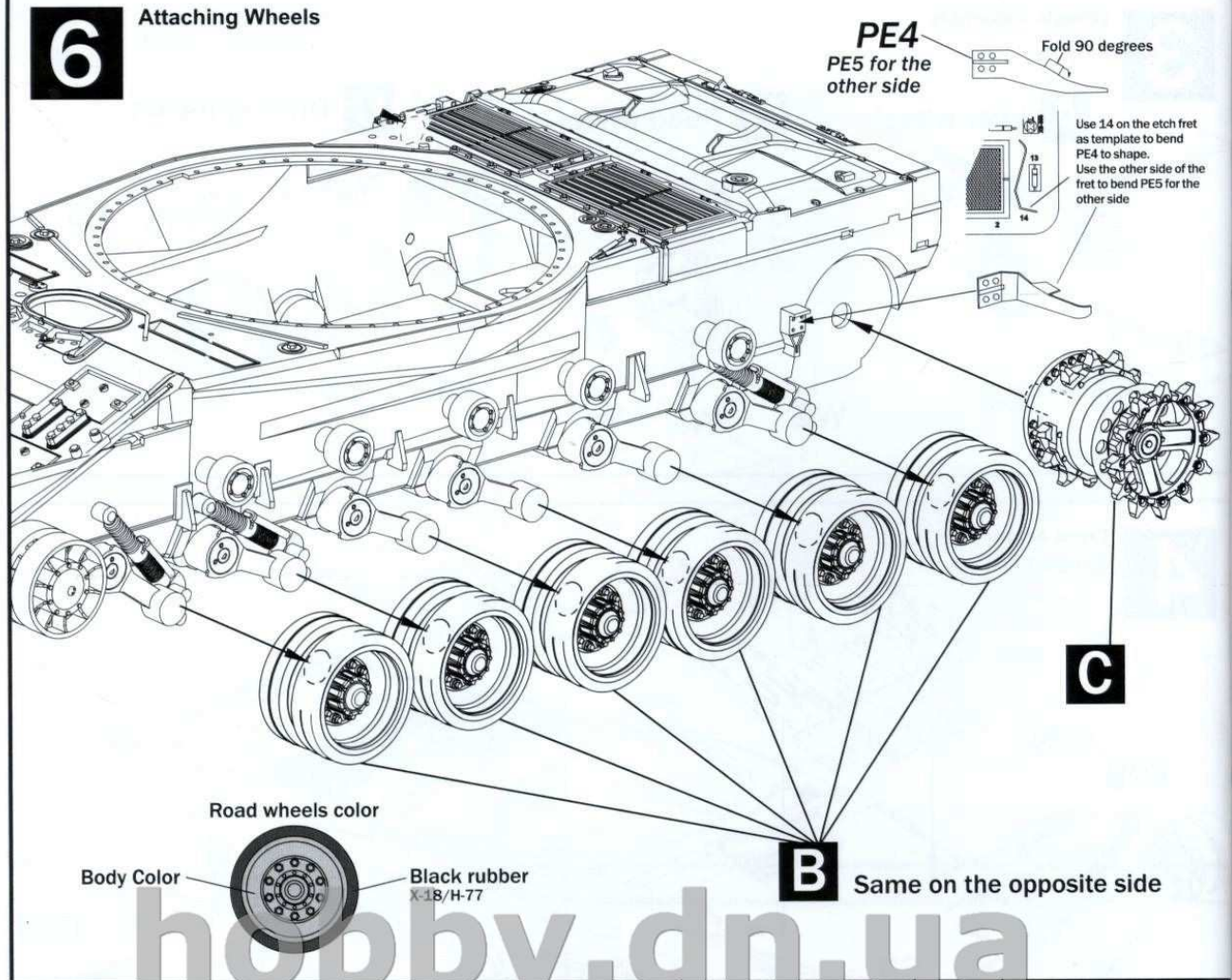
5

Suspension Arms Installaton



6

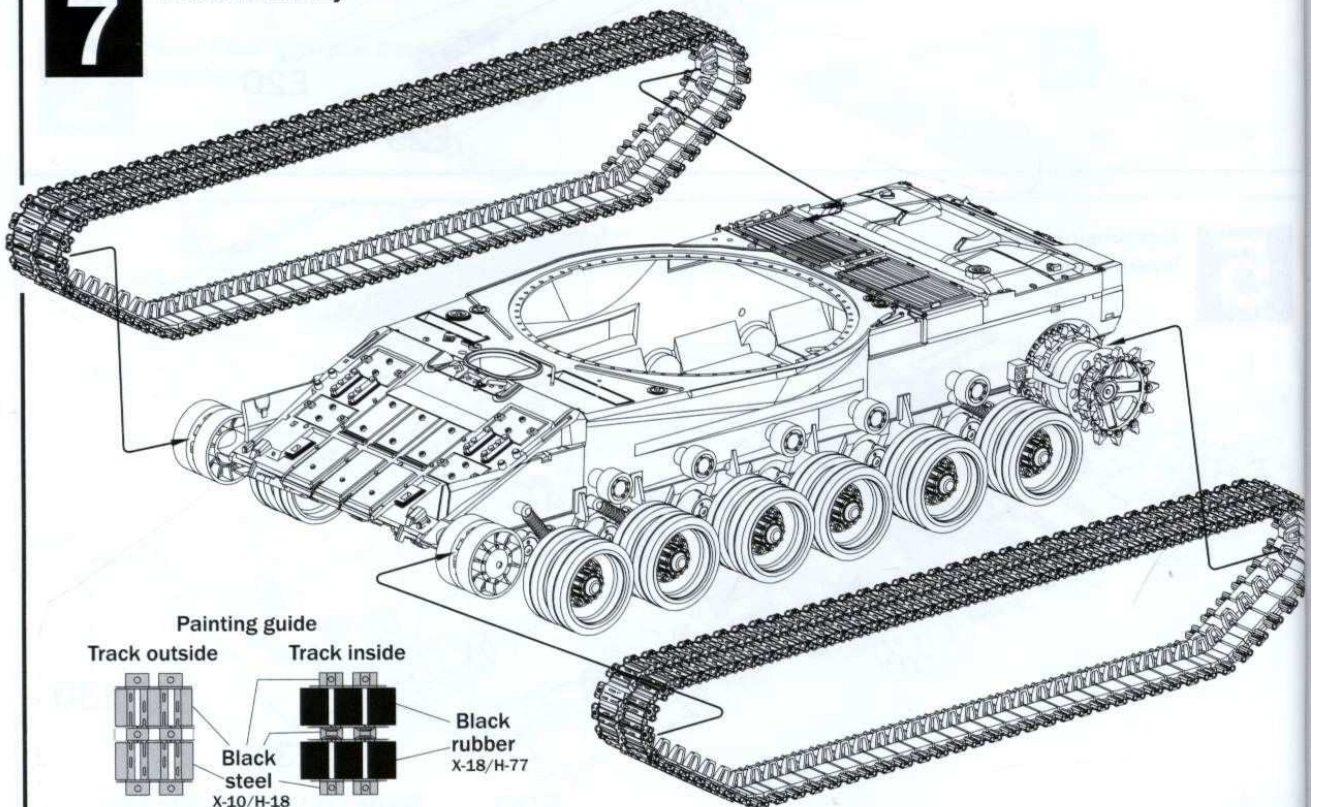
Attaching Wheels



hobby.dn.ua

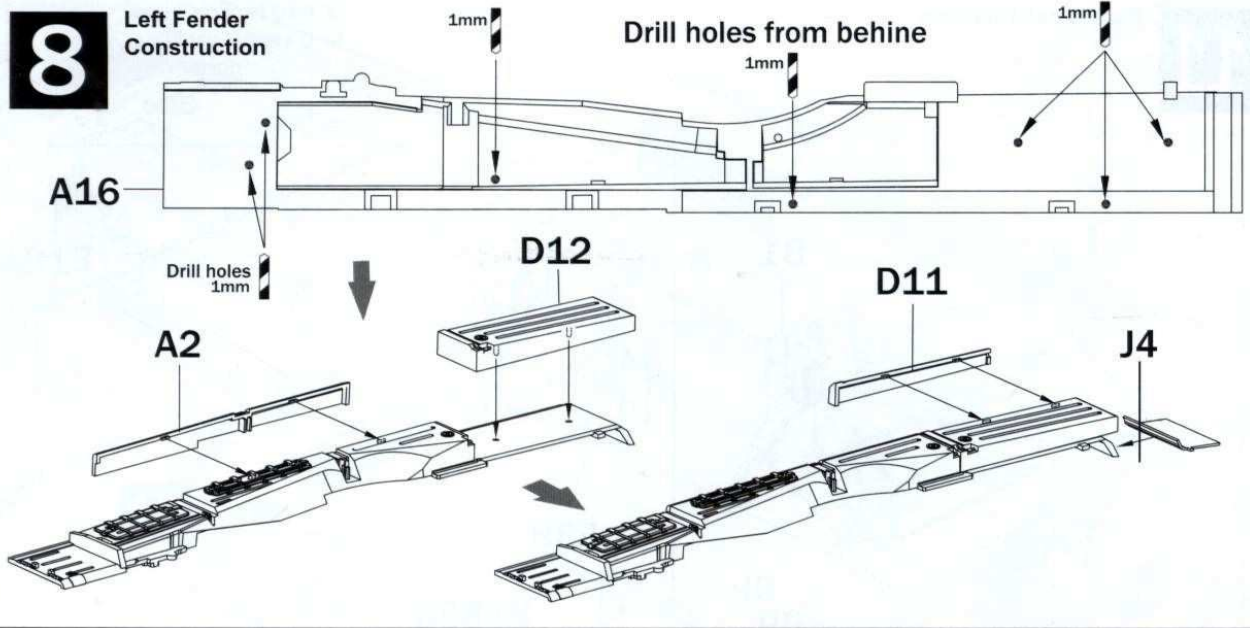
7

Tracks Assembly



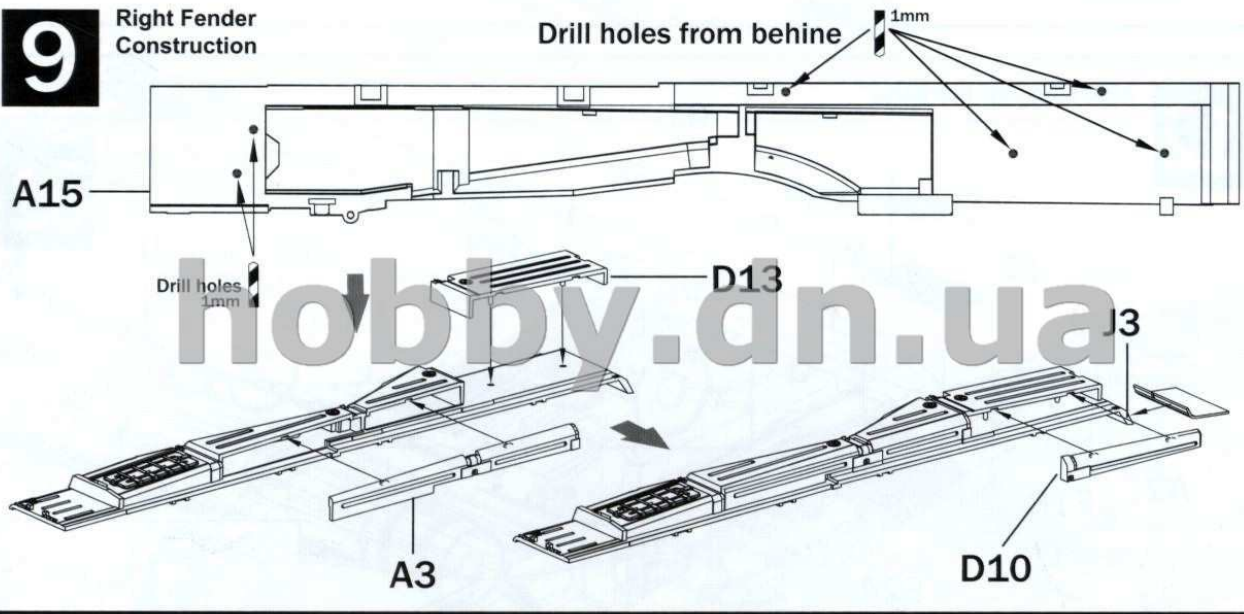
8

Left Fender Construction



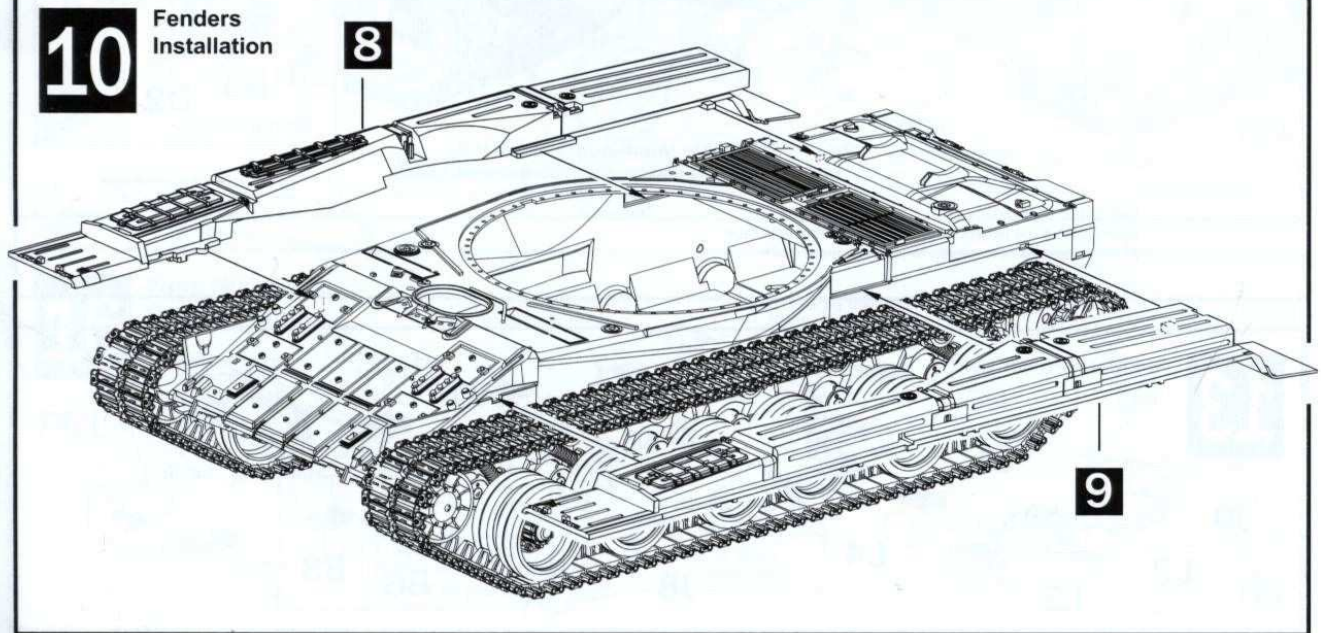
9

Right Fender Construction



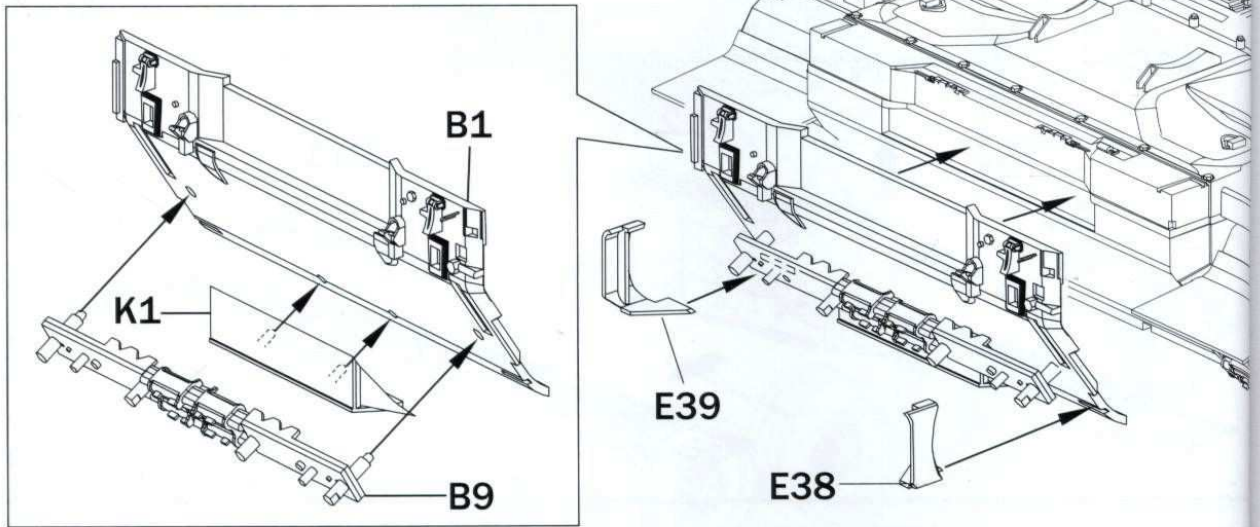
10

Fenders Installation



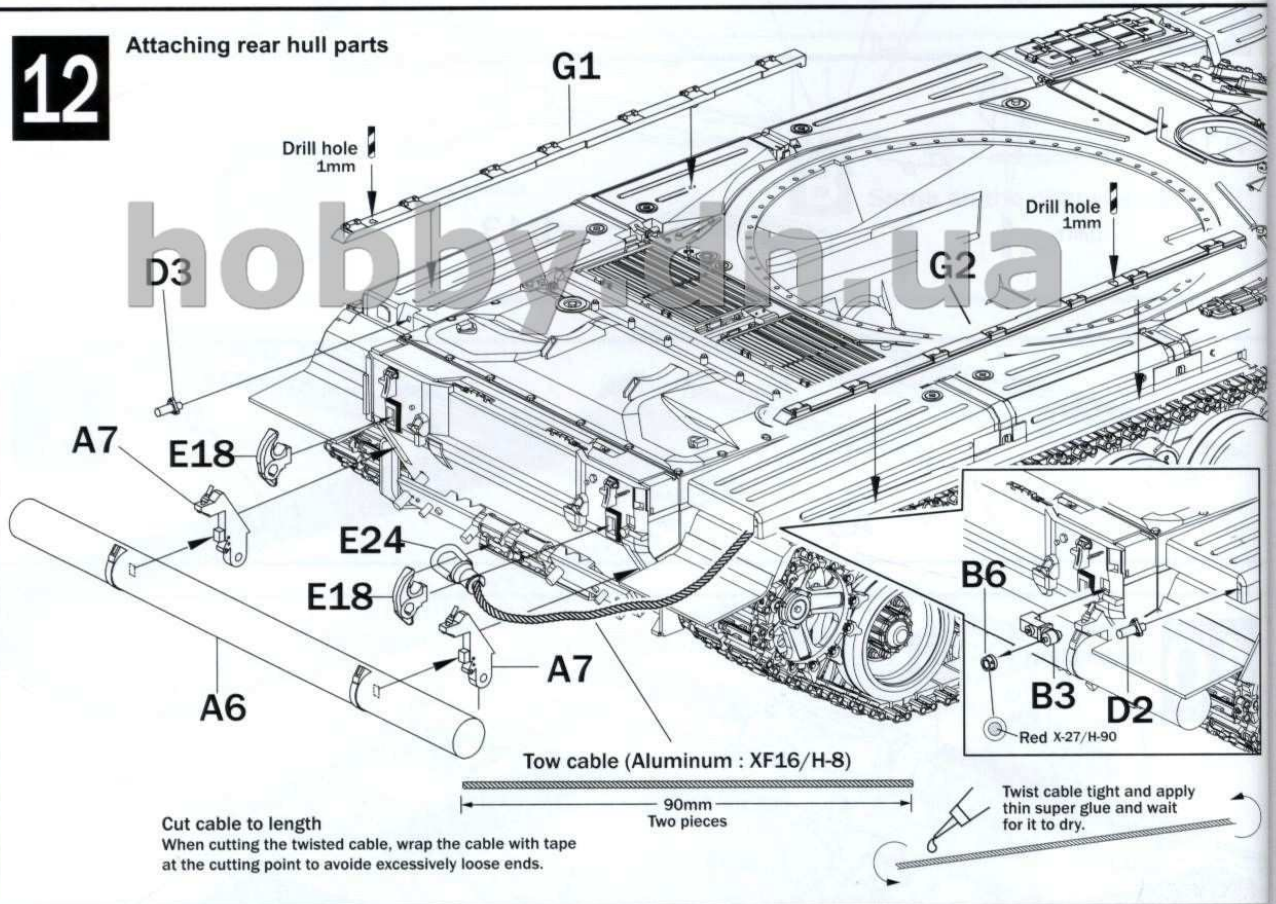
11

Real Panel Assembly



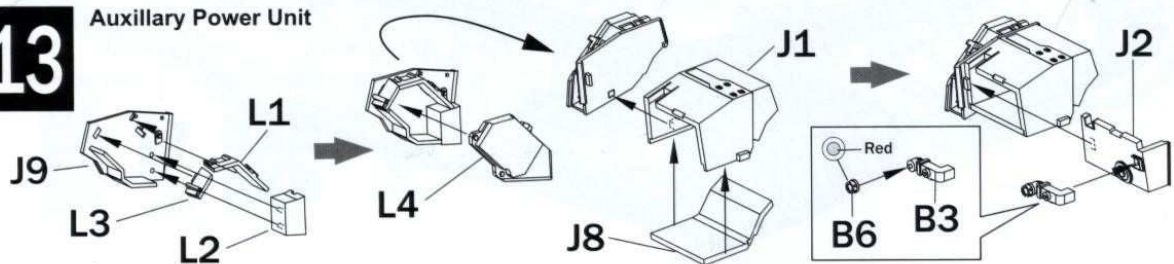
12

Attaching rear hull parts



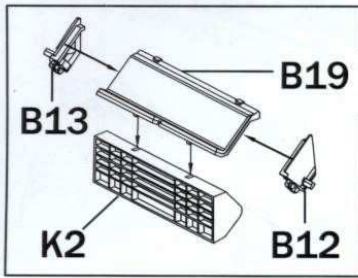
13

Auxiliary Power Unit

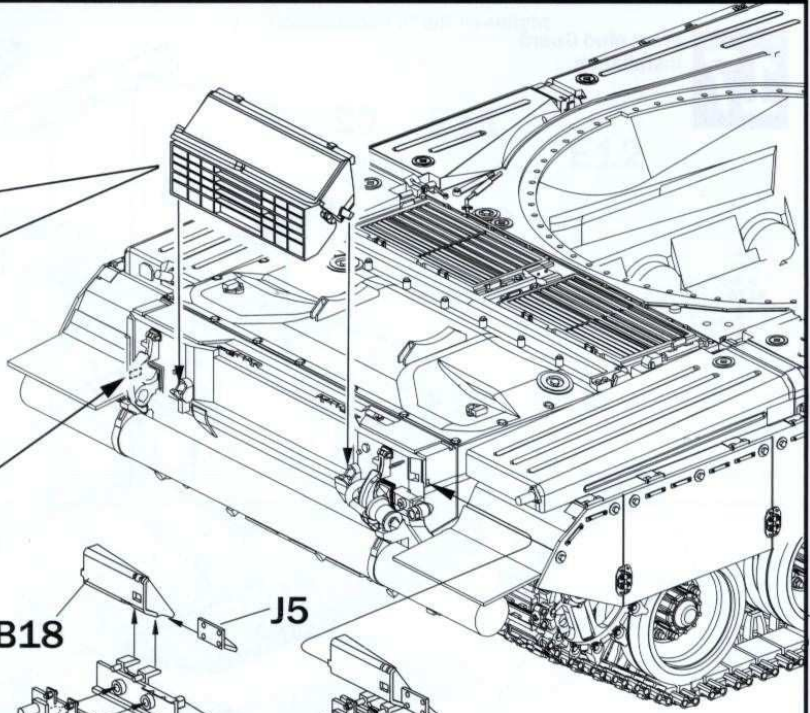
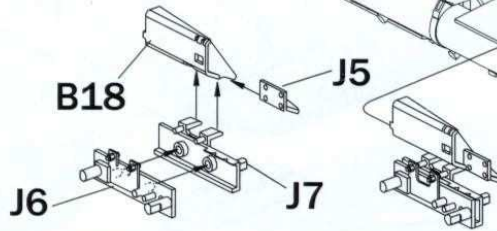


14

Real Exhaust Unit & Auxillary Power Unit Installation

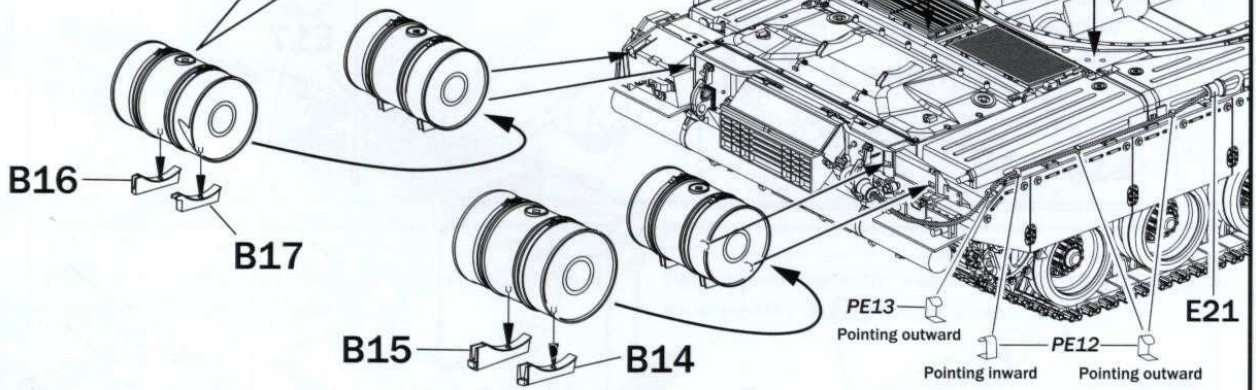
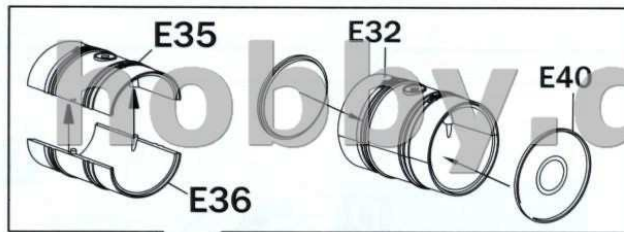


13



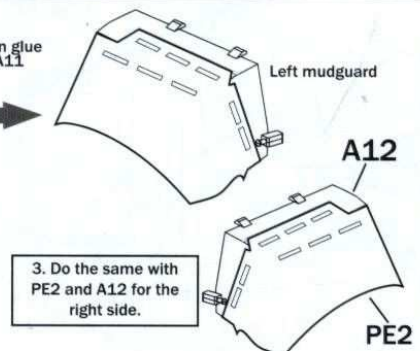
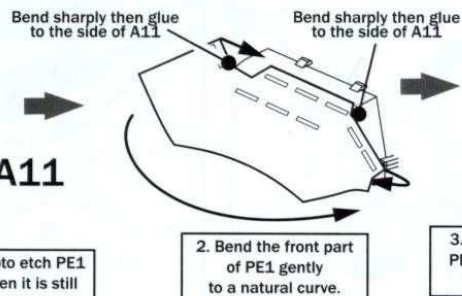
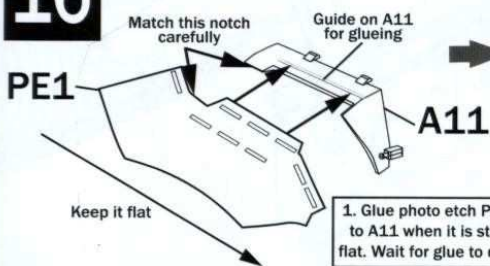
15

External Fuel Drums Assembly



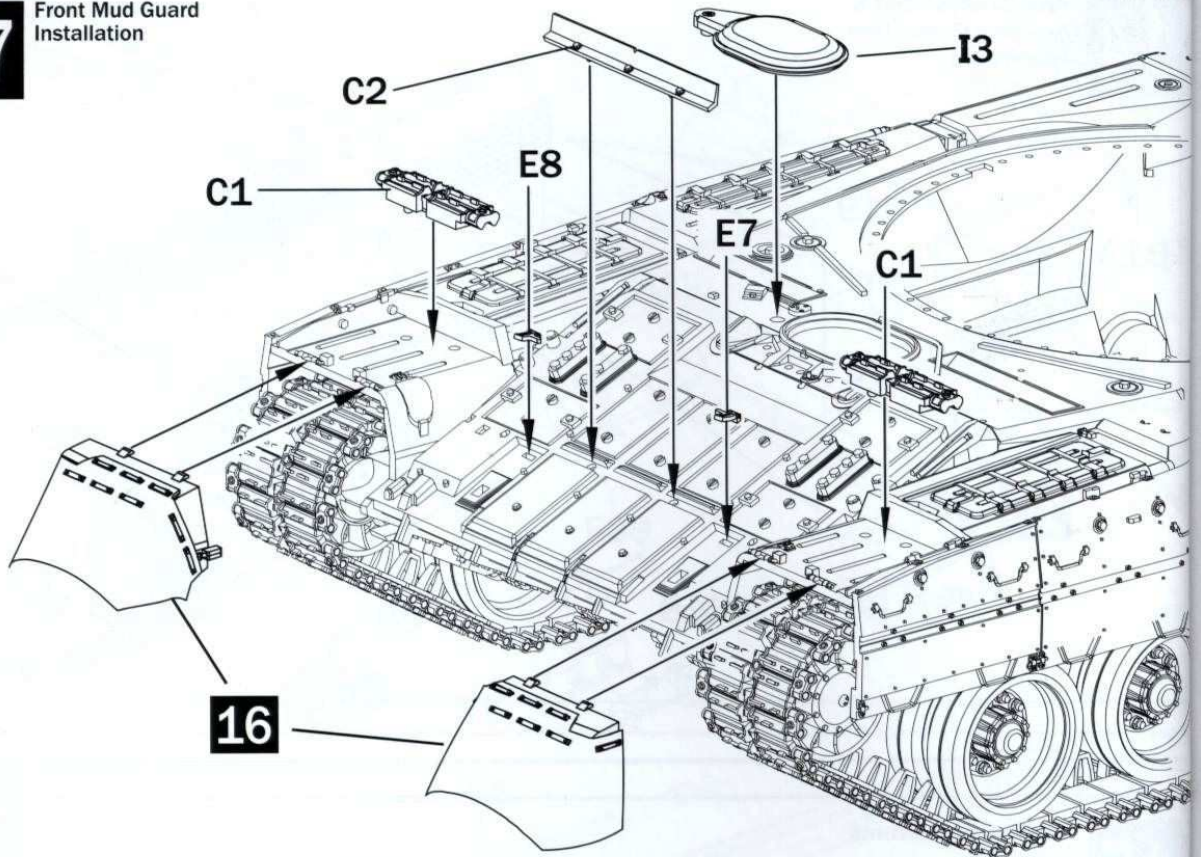
16

Front Mud Guard Construction



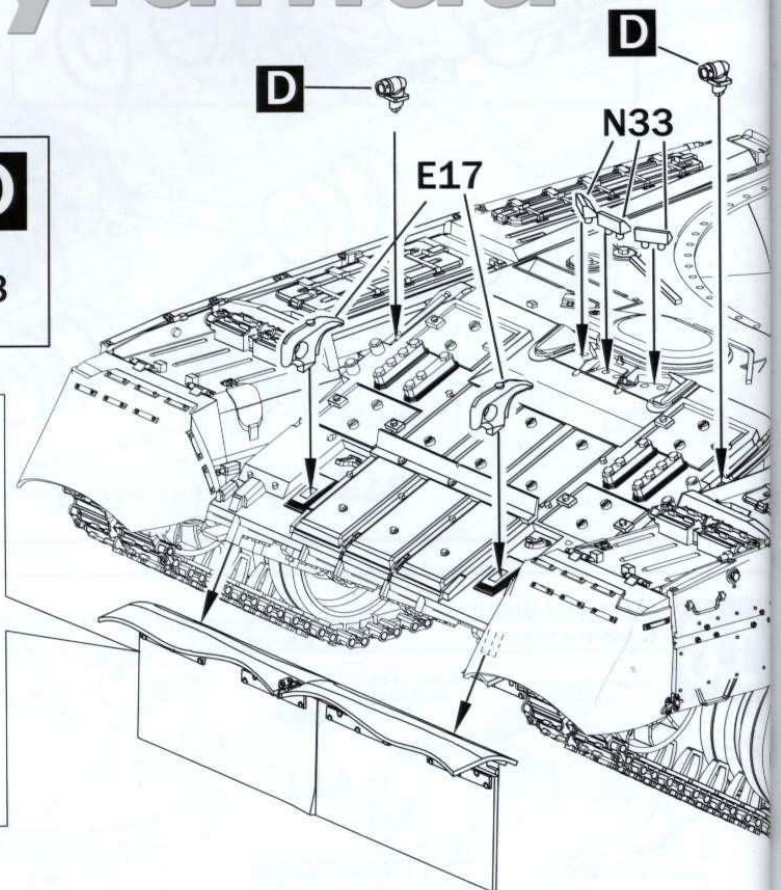
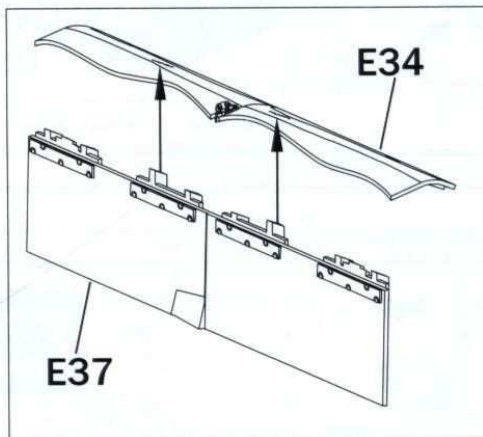
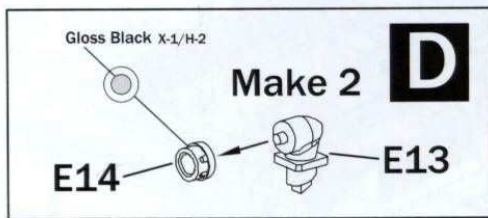
17

Front Mud Guard Installation



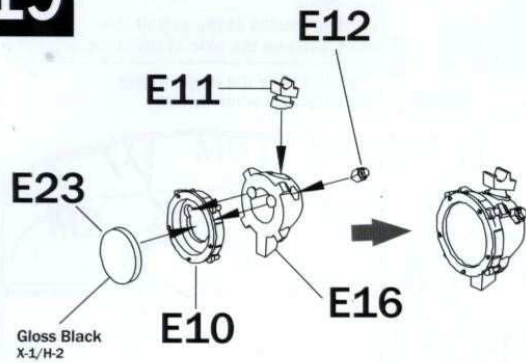
18

Front Mud Fender Installation

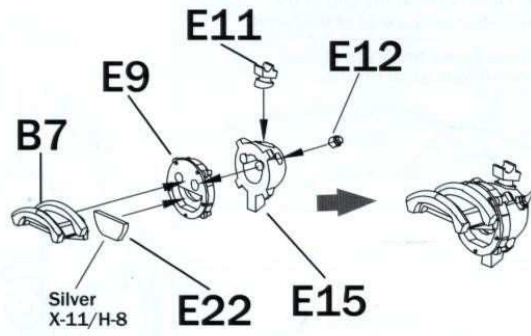


19

Construction of right headlight

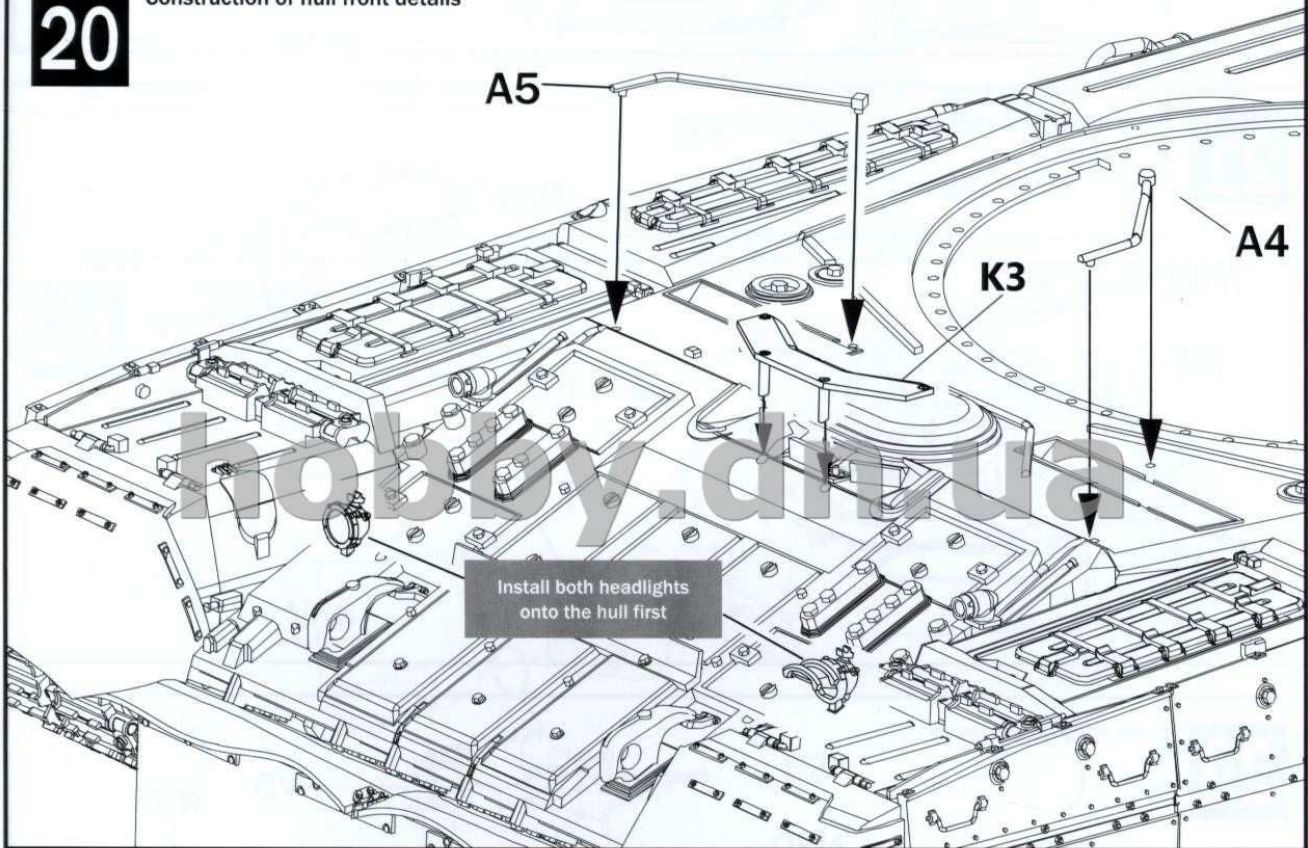


Construction of left headlight

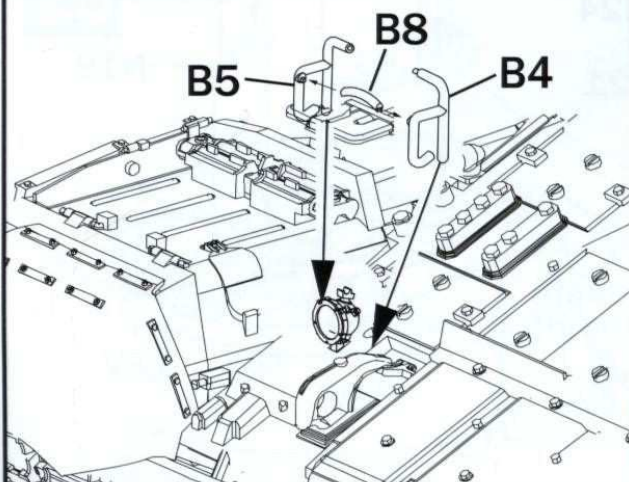


20

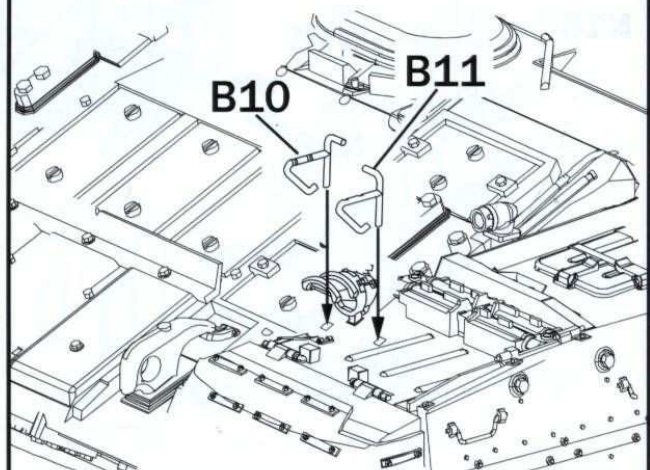
Construction of hull front details



For ease of assembly, use the headlight as the guide to assembly the headlight guard.



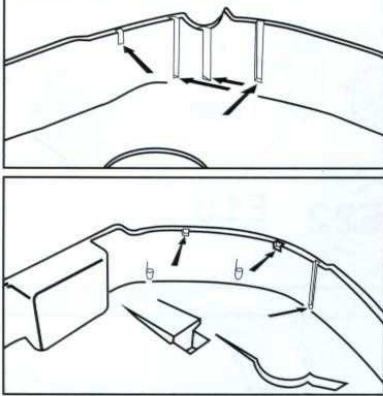
For ease of assembly, use the headlight as the guide to assembly the headlight guard.



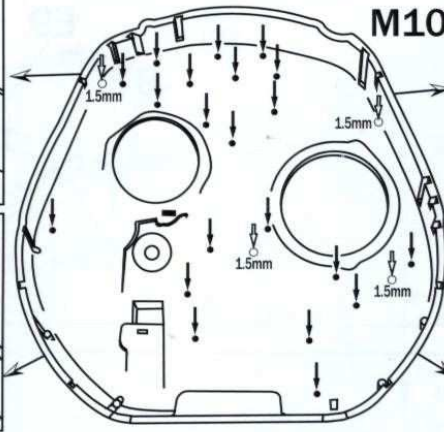
Drill holes on the turret top before proceeding

Drill 1mm holes at the end of the indentation on the side of the turret.

Please follow the angle of the indentations when drilling.

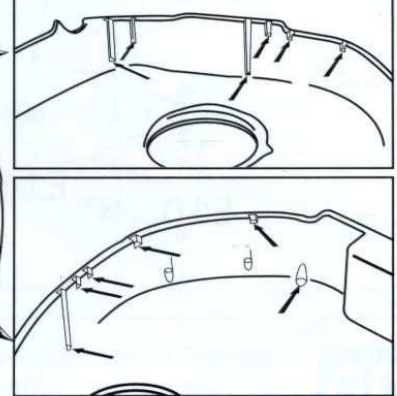


Drill open 1mm holes on the turret top at right angle.



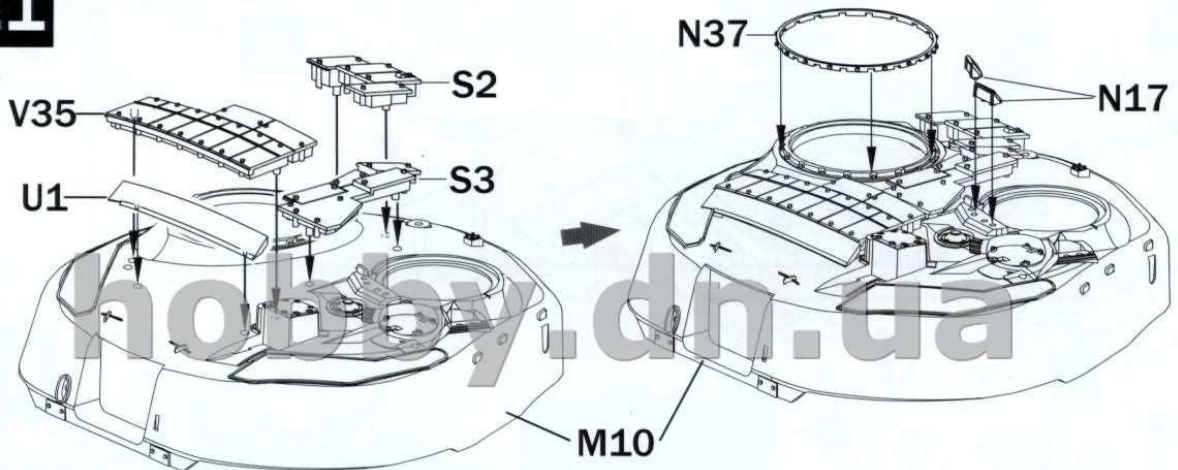
Drill 1mm holes at the end of the indentation on the side of the turret.

Please follow the angle of the indentations when drilling.



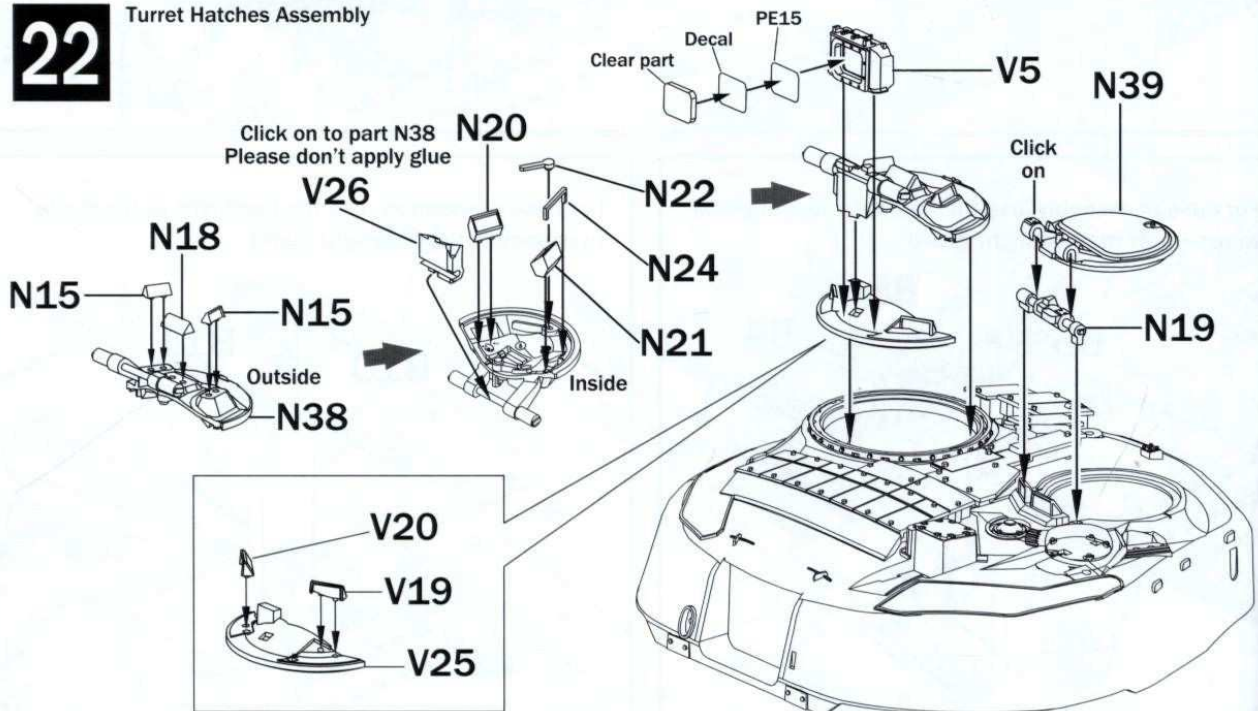
21

Turret Roof ERA Installation



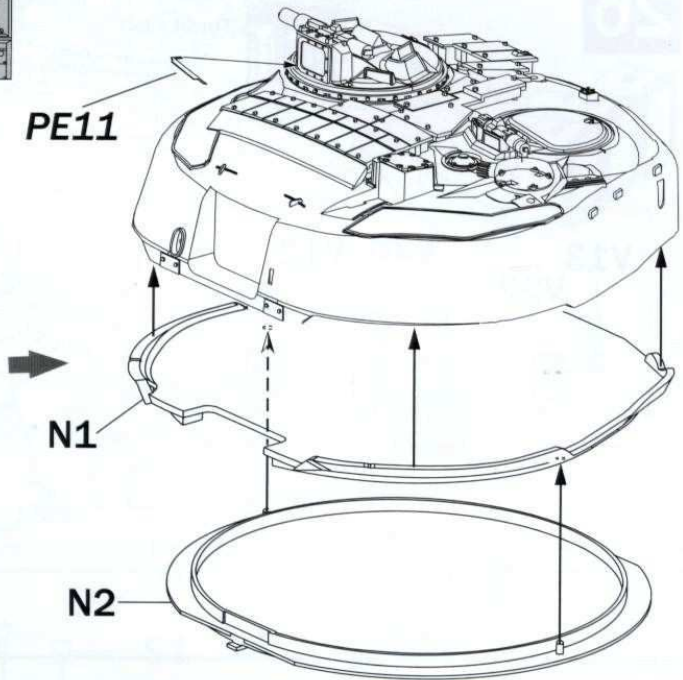
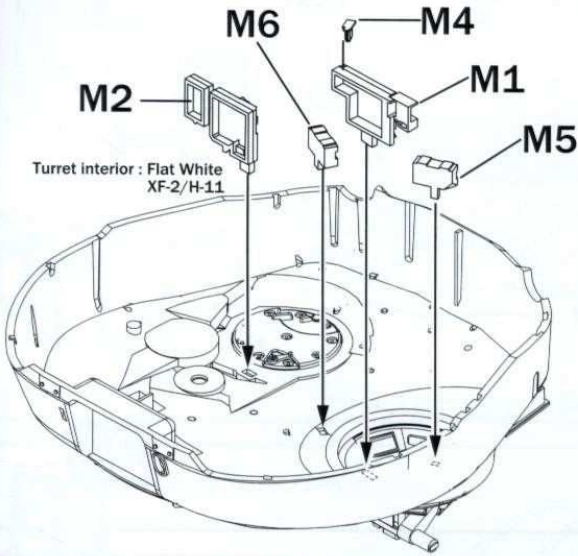
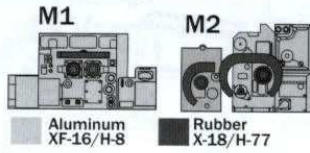
22

Turret Hatches Assembly



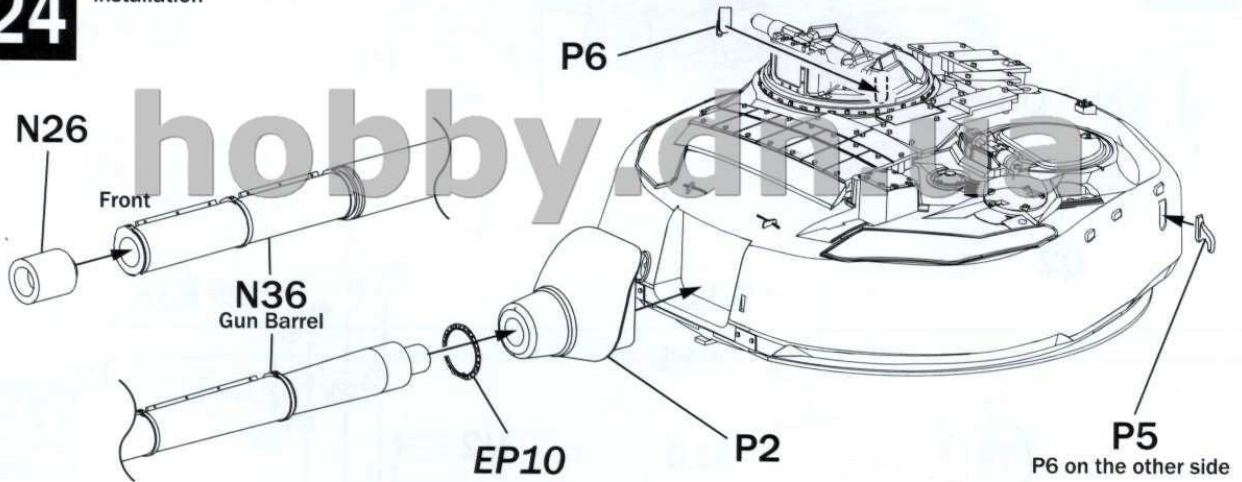
23

Turret Interior Assembly



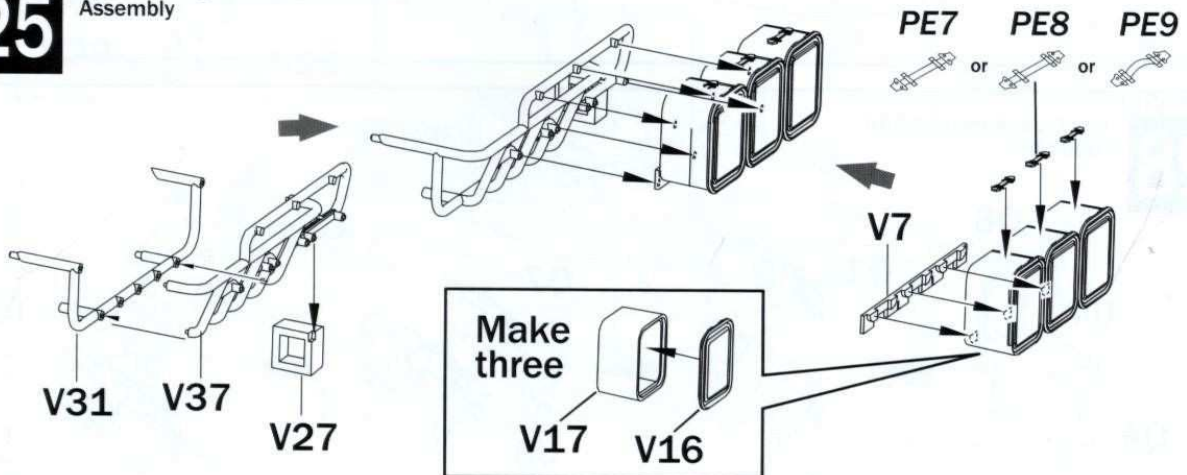
24

120mm Main Gun installation



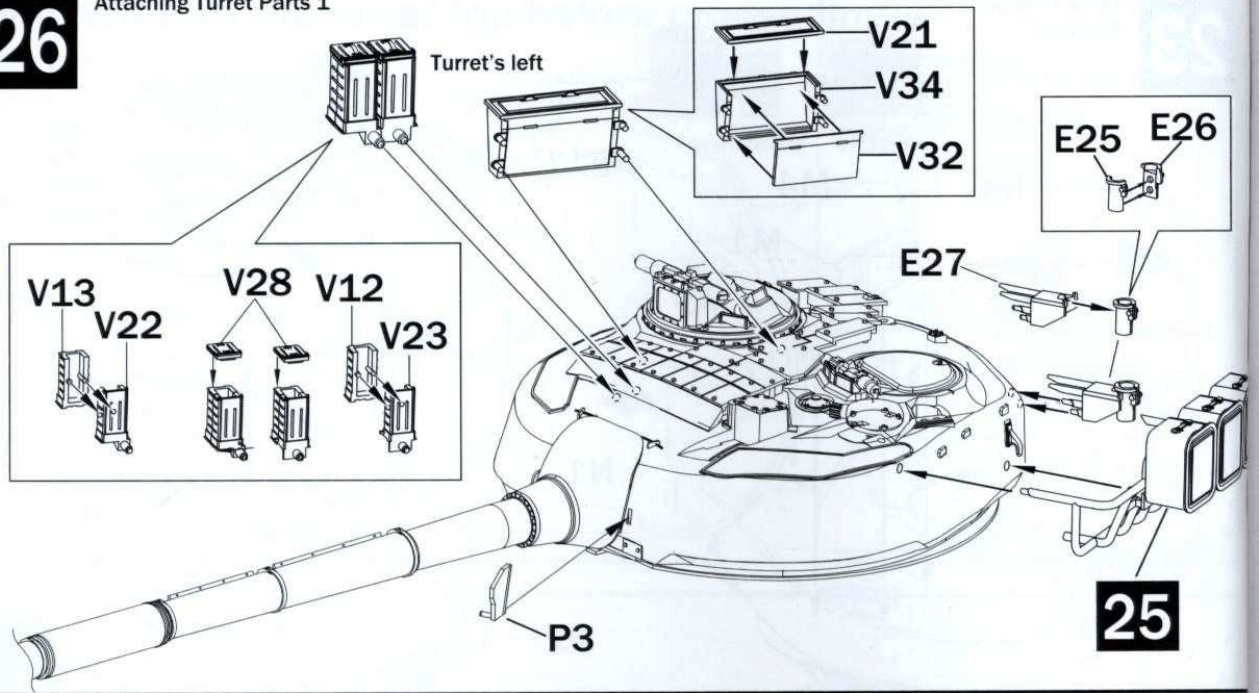
25

Turret Storage Boxes Assembly



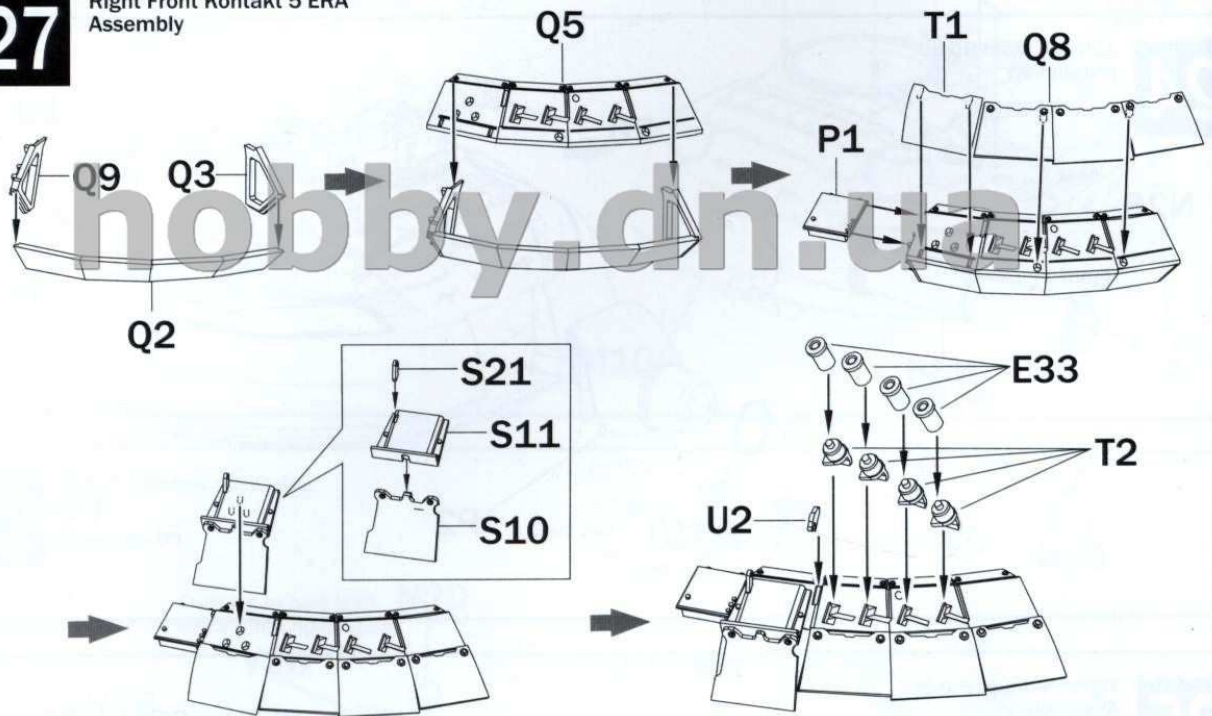
26

Attaching Turret Parts 1



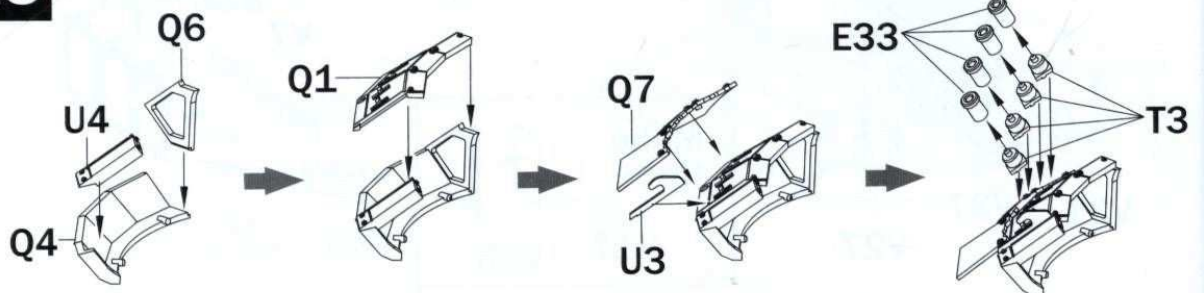
27

Right Front Kontakt 5 ERA Assembly



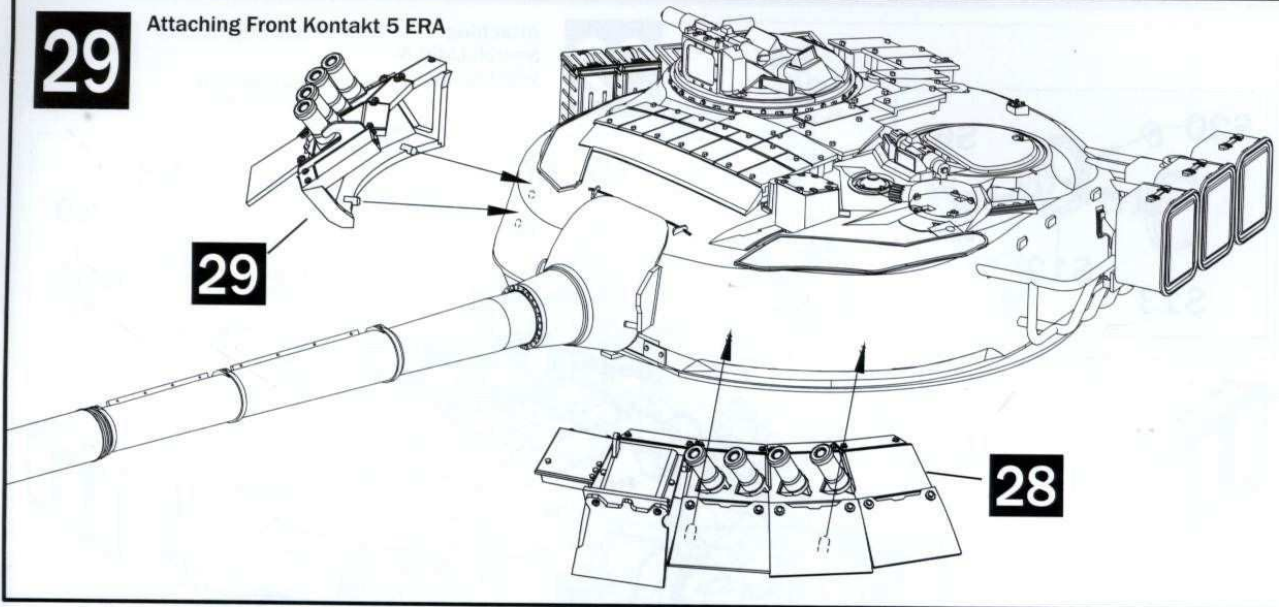
28

Left Front Kontakt 5 ERA Assembly



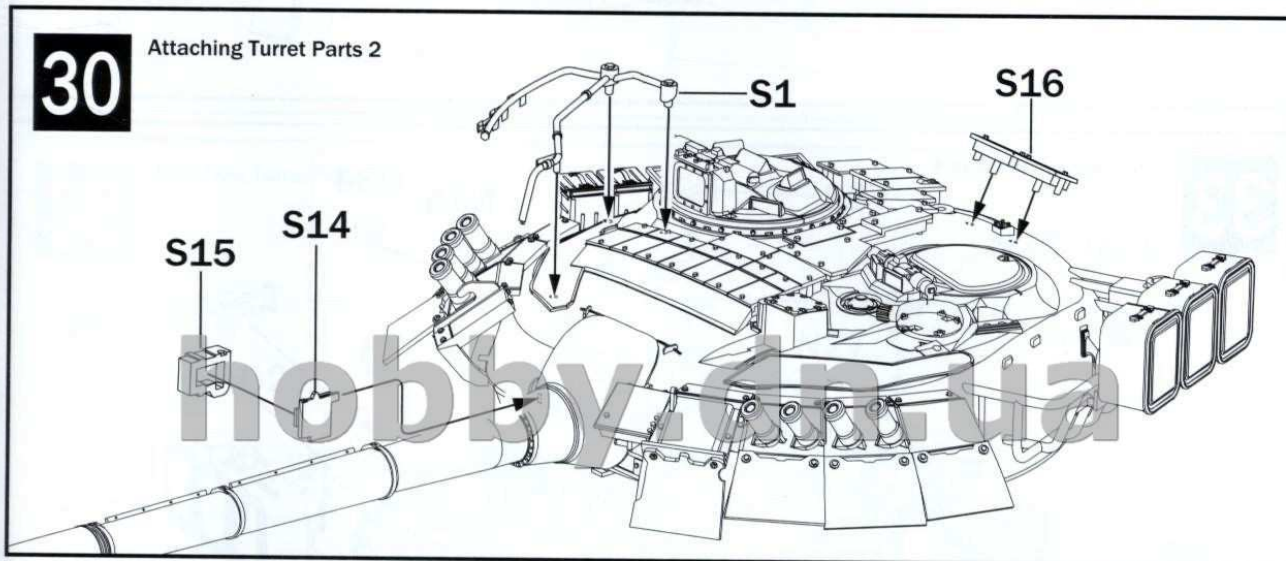
29

Attaching Front Kontakt 5 ERA



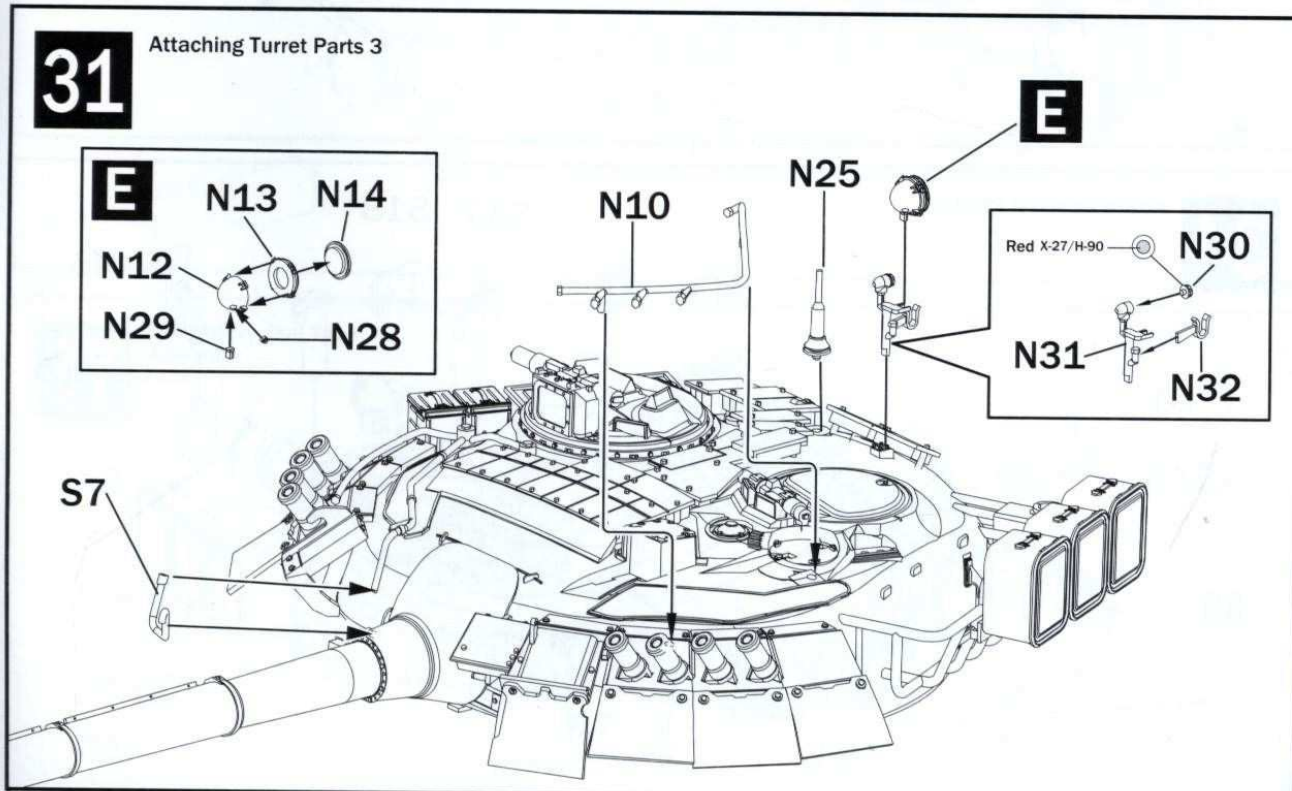
30

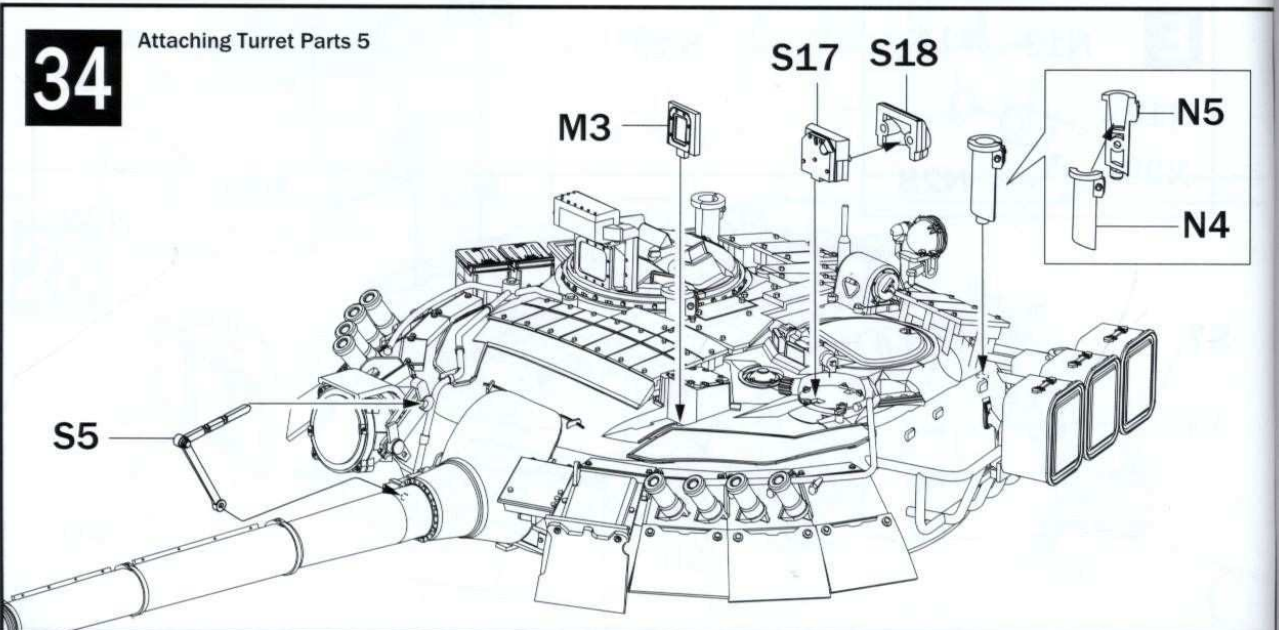
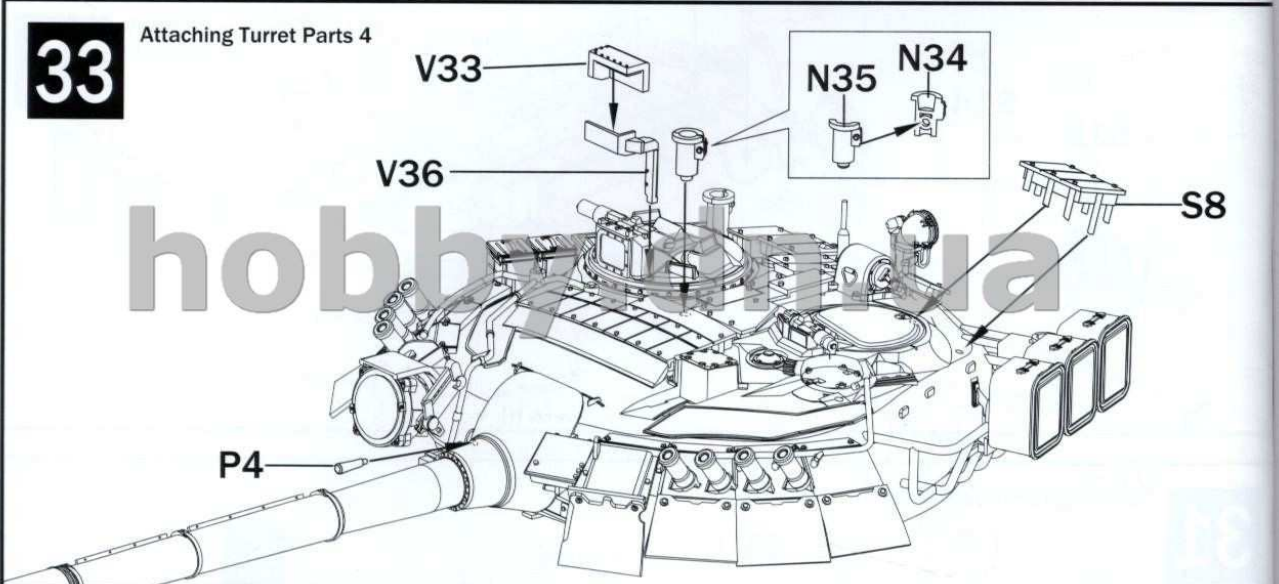
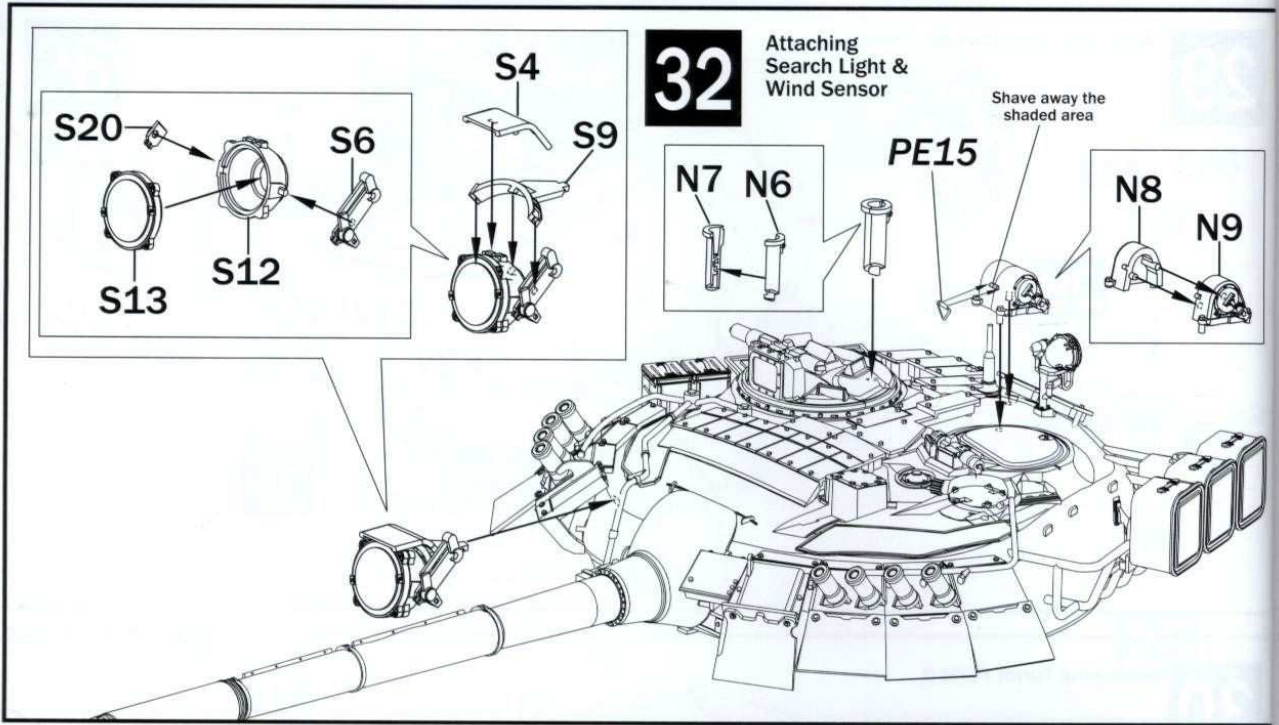
Attaching Turret Parts 2



31

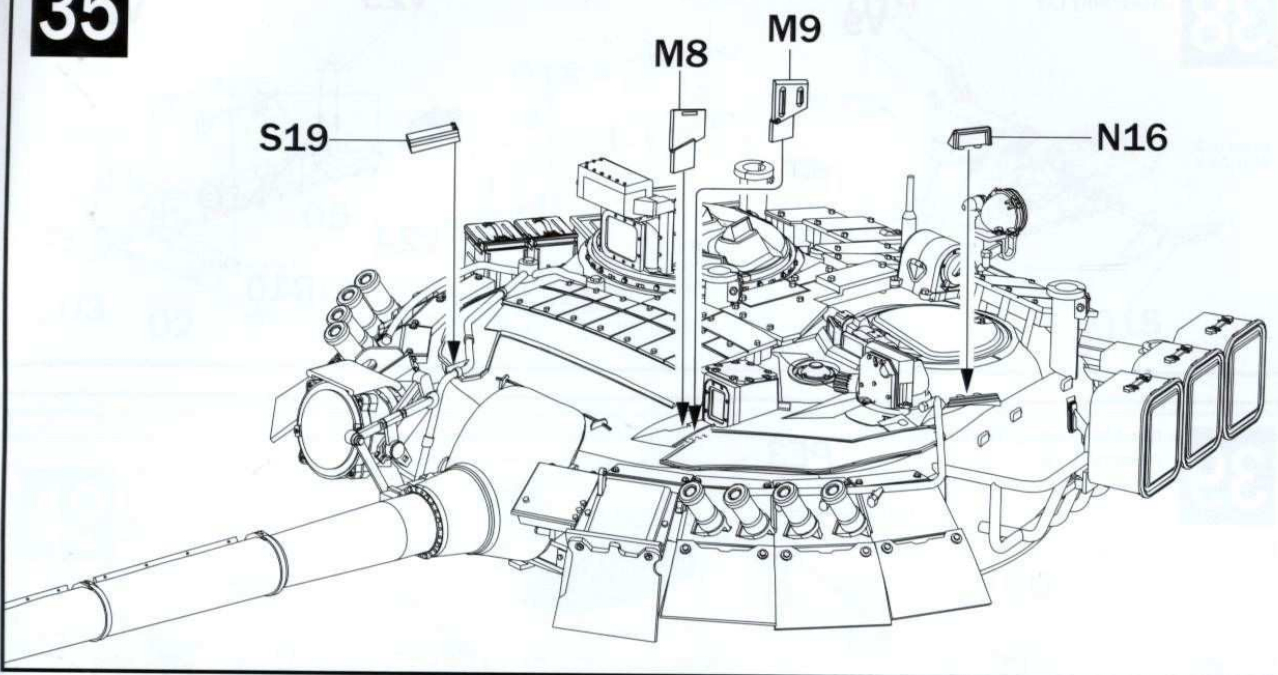
Attaching Turret Parts 3





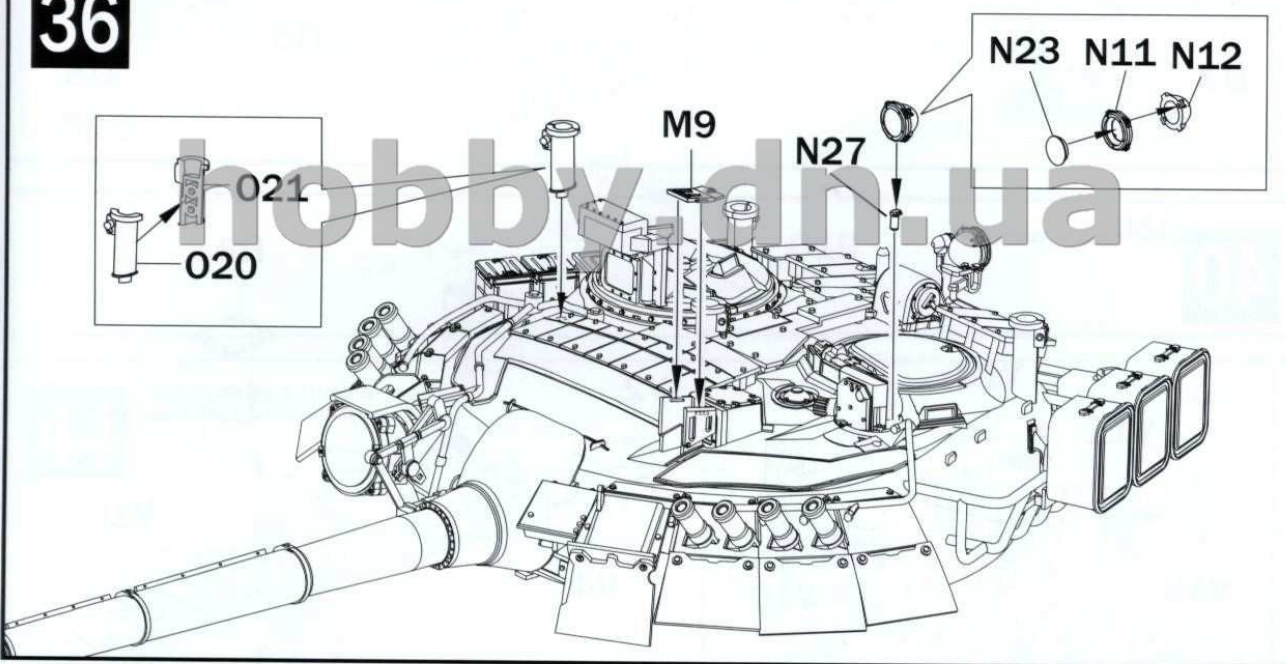
35

Attaching Turret Parts 6



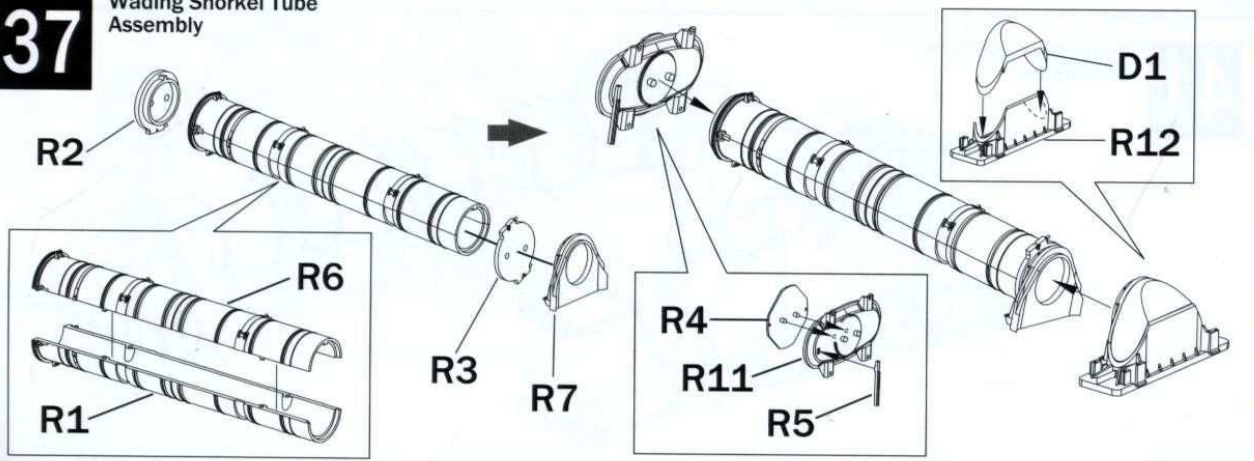
36

Attaching Turret Parts 7



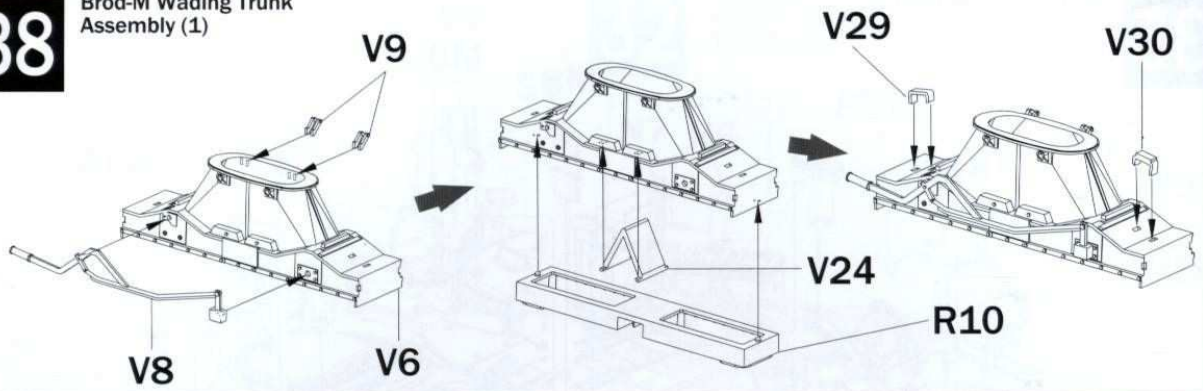
37

Wading Snorkel Tube Assembly



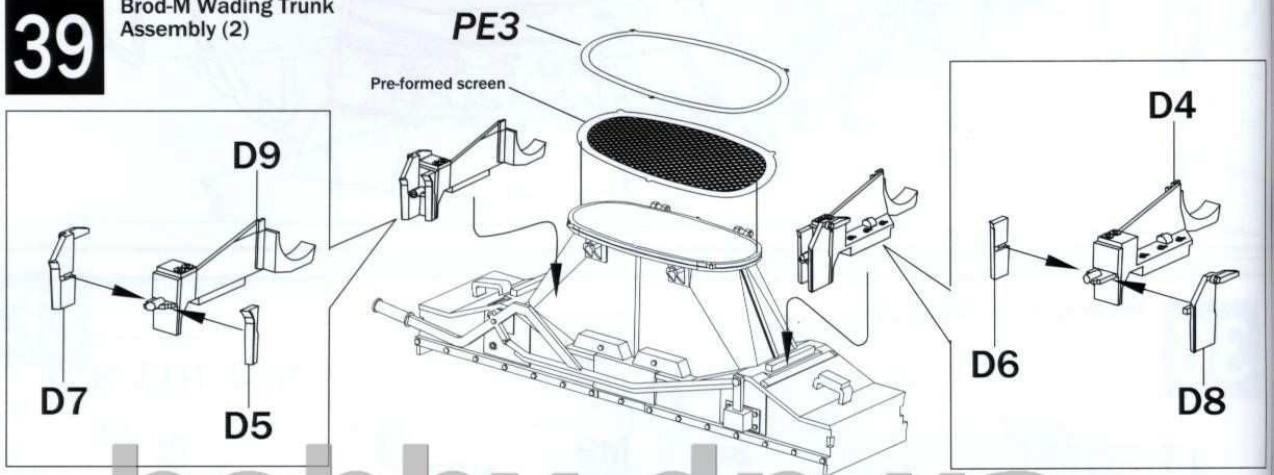
38

Brod-M Wading Trunk Assembly (1)



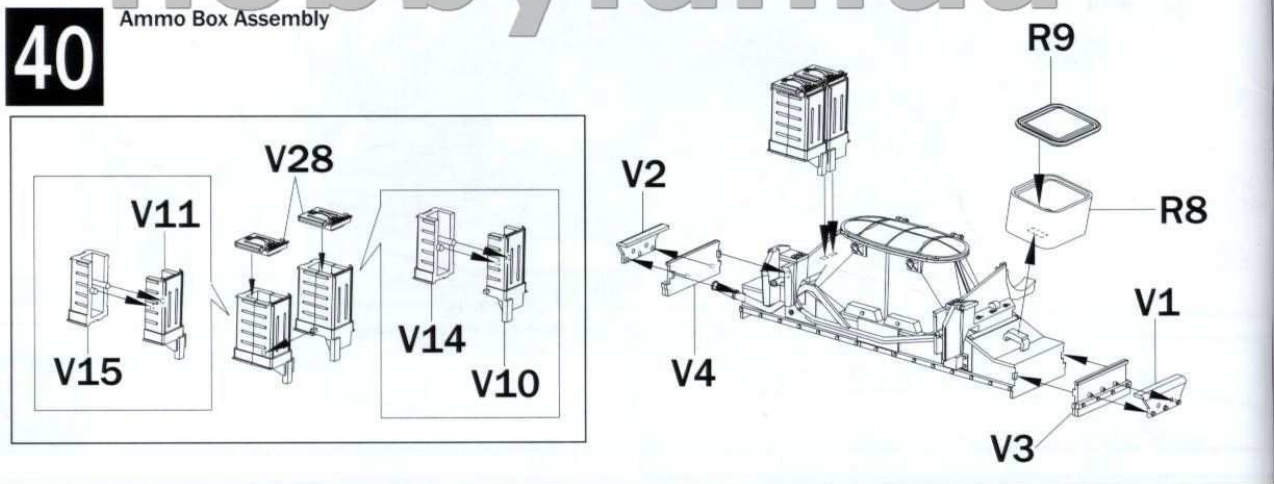
39

Brod-M Wading Trunk Assembly (2)



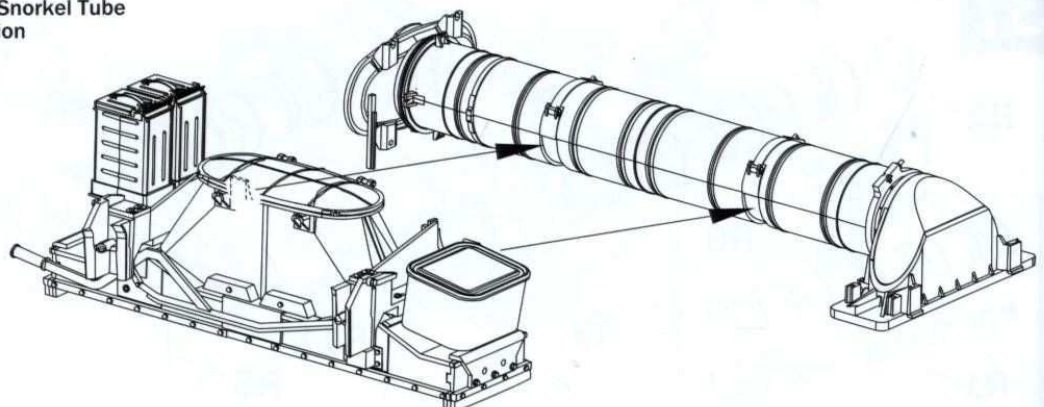
40

Ammo Box Assembly



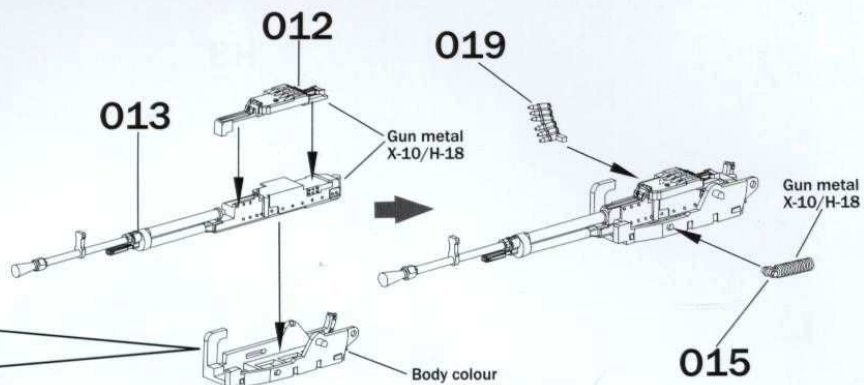
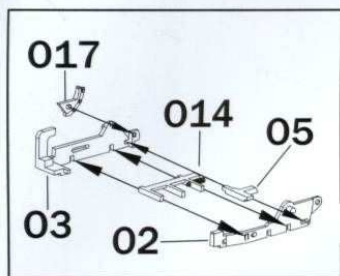
41

Wading Snorkel Tube Installation



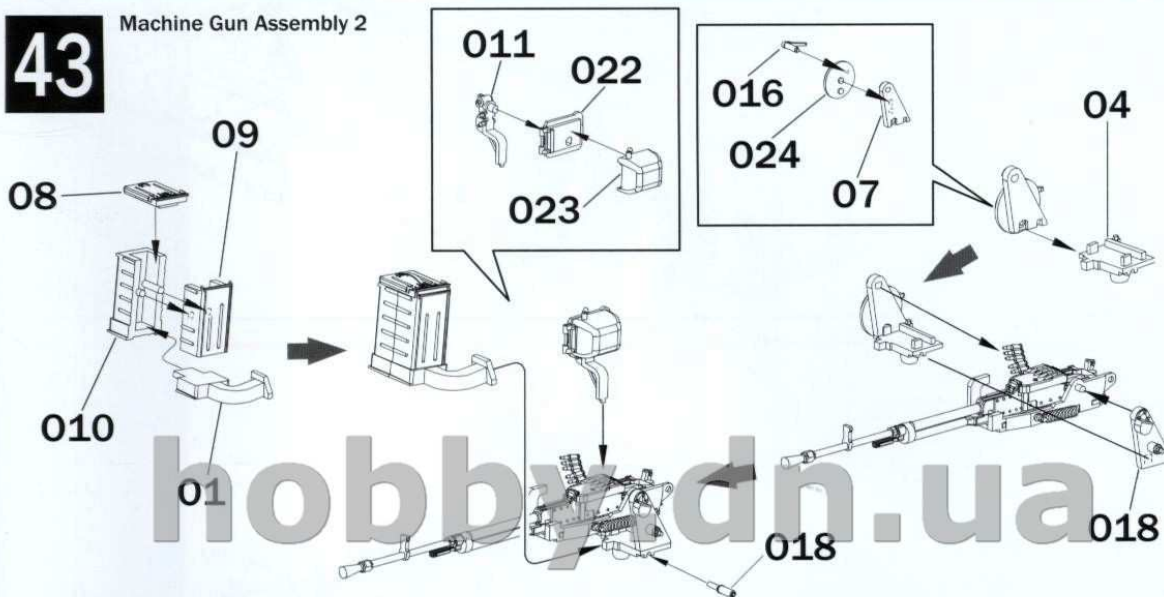
42

Machine Gun Assembly 1



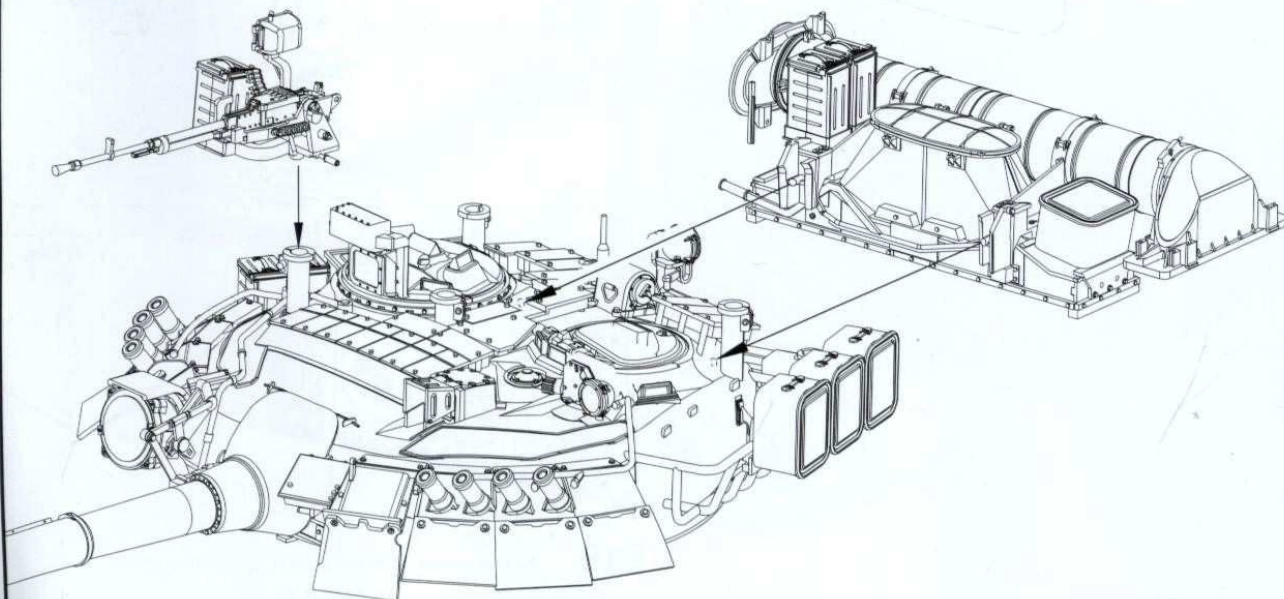
43

Machine Gun Assembly 2



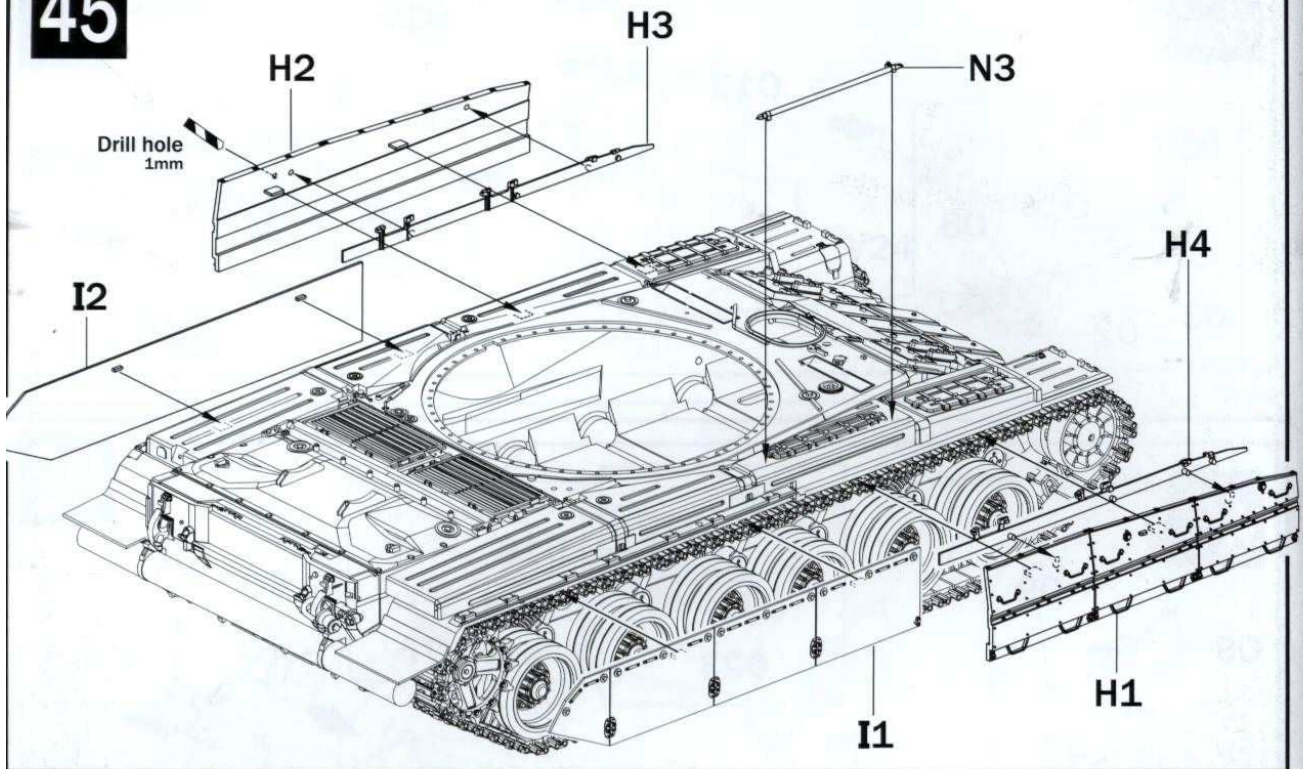
44

Brod-M Wading Trunk & Machine Gun Installation



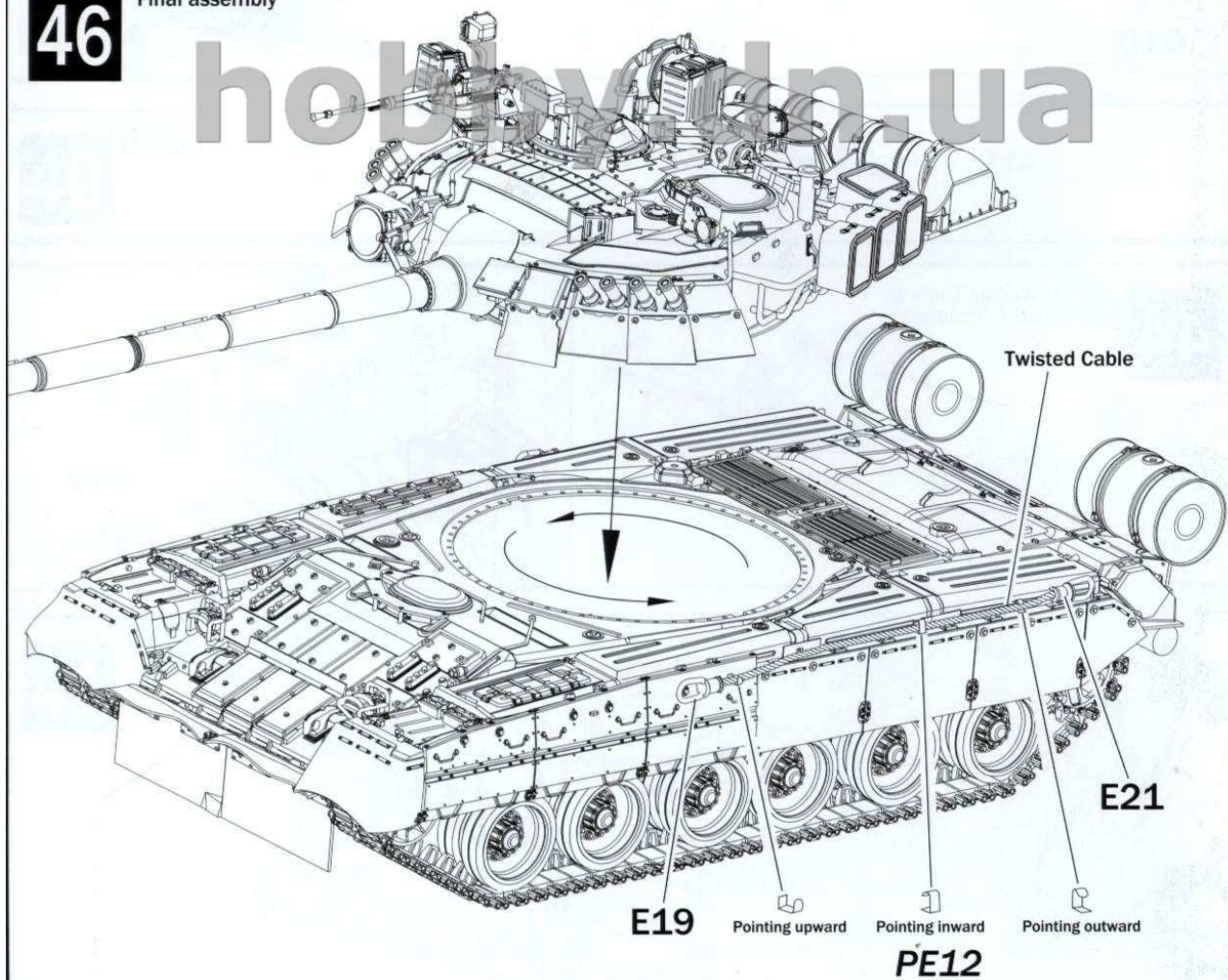
45

Installing side skirts



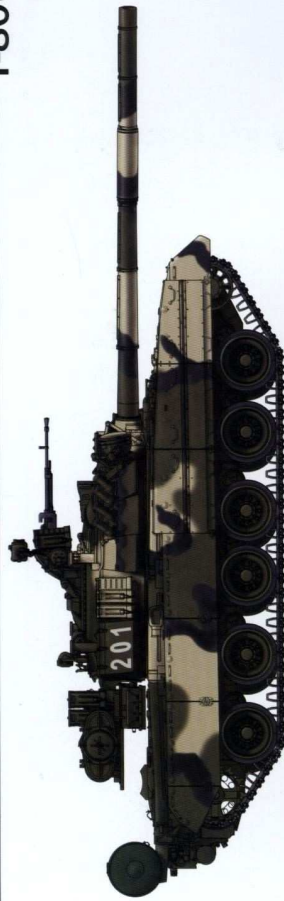
46

Final assembly

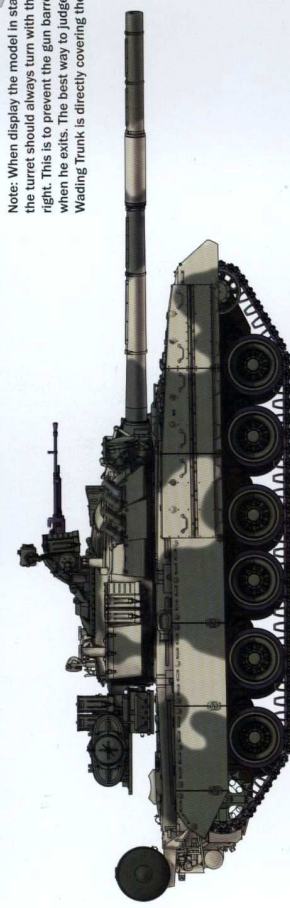


T-80U in colour

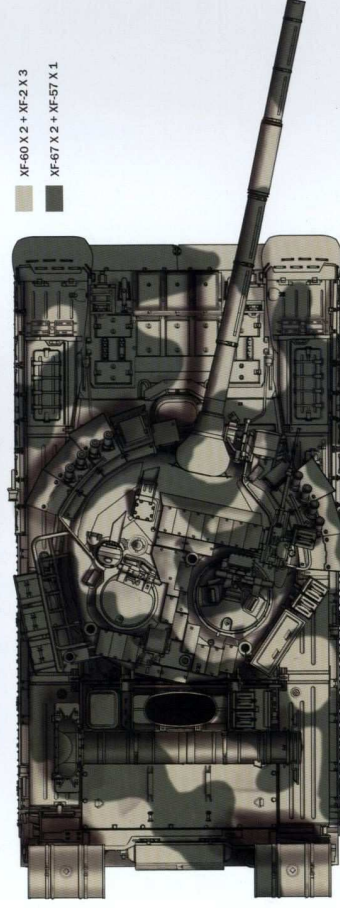
Colour coded in Tamiya acrylic Paint



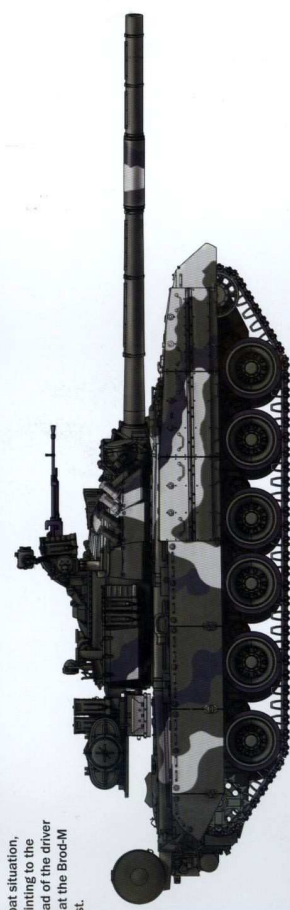
- XF-60 X 2 + XF-2 X 3
- XF-67 X 2 + XF-57 X 1
- XF-26
- XF-69



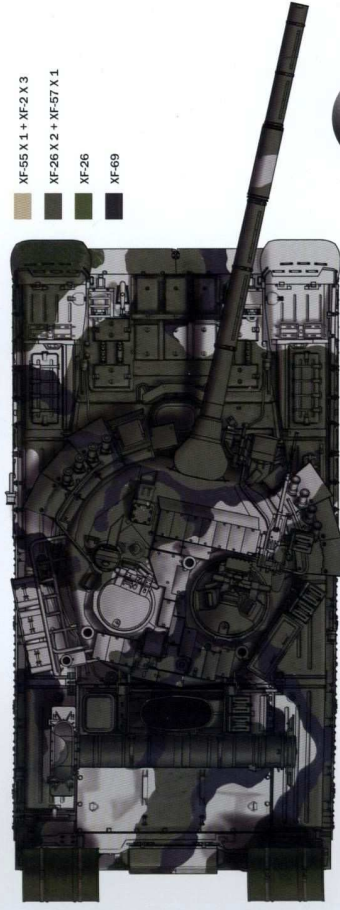
- XF-60 X 2 + XF-2 X 3
- XF-67 X 2 + XF-57 X 1



- XF-26



- XF-55 X 1 + XF-2 X 3
- XF-26 X 2 + XF-57 X 1
- XF-26
- XF-69



hobbyIn.ua

Note: When display the model in static or non-combat situation, the turret should always turn with the gun barrel pointing to the right. This is to prevent the gun barrel hitting the head of the driver when he exits. The best way to judge the angle is that the Brod-M Wading Trunk is directly covering the engine exhaust.

