

**Tu-2VS**  
SOVIET TACTICAL BOMBER

爆 擊 機

讯通模型  
XINTONG MODEL



SCALE 1/48 No B48001

Fuselage Length: 26.55mm Wing Span: 192.0mm Total Plastic Parts: 389pcs

1. 拼装之前须仔细阅读说明书。
2. 拼装之前须检查部件是否吻合。
3. 请用小刀或模型剪从注塑件中剪去多余的胶片，请小心，勿剪断塑胶零件。
4. 切勿从塑胶片中拉断零件。
5. 说明书含有重要资料，请保存好此说明书。

1. Read instructions carefully.
2. Check the completeness of each part.
3. Remove parts from frame with sharp knife and trim away excess plastic. Be careful not to break necessary parts.
4. Do not pull parts with your hands from frame.
5. Keep this booklet for future reference.

#### Tu-2VS战术轰炸机

Tu-2VS战术轰炸机，是Tu-2系列中比较重要的机型之一，由苏联图波列夫（Tupolev）设计局设计。1941年12月，使用M-82星形气冷发动机的原型机“103U”开始试飞，由于气冷发动机重量较轻，节约下来的1000Kg重量使飞机的载弹量增加至2000Kg。该机除了在机身弹仓内外侧悬挂炸弹外，每个翼下还可以悬挂6枚RS-82或RS-132火箭弹。

1942年8月22日，第一批生产型的飞机(生产编号100308)被赋予Tu-2VS的编号，开始在鄂木斯克（Omsk）166工厂批量生产。1942年10月，第一个Tu-2VS轰炸机团(属空军第三集团军)在加里宁前线参加战斗。本模型参照原型为166飞机制造厂1942年生产的Tu-2VS第6系列。

#### The Tu-2 Family

Tupolev Tu-2 was one of the outstanding combat aircraft of World War II. Designed to challenge the German Ju88, the Tu-2 was tailored to meet requirements for large bomb load and high speed. Numerous variants and reconnaissance versions were built, and surplus Tu-2's were sold to several countries after World War II. The last Tu-2's retired in 1982 in China.

#### Tu-2 VS (Development name "103U")

Tu-2VS is 4-seat crew variation of the Tu-2 which made first flight in 1941 and was mass produced in 1942. This variation made significant change in engine and payload capacity. The light weight M-82 air-cooled radial engines made Tu-2VS capable of carrying a greater bomb payload of up to 2000 kg. The bombs were carried inside the bomb bay as well as outside the bomb bay. The plane was also capable of carrying five rocket missiles (RS-82 or RS-132) under each wing. The first Tu-2VS bomber regiment joined the war at the Kalinin front in October 1942.

Our model replica of the Tu-2VS is based on Tu-2VS series 6 manufactured at the Omsk Aircraft Factory 166 in 1942.

#### 技术数据:

乘员组 (Crew): 4人 生产时间 (Year of manufacture): 1942年 长度 (Length): 13.3m 翼展 (Wingspan): 18.86m 翼面积 (Wingspan): 48.52m<sup>2</sup> 机高 (Height): 4.17m 起飞重量 (Loaded weight): (1)正常 (Normal): 10537kg (2)最大 (Max): 11768kg 发动机型号及数量 (Engines): 2×M-82 功率 (马力) (Horse power): 2×1700HP 螺旋桨型号 (Propeller model): AB-5-167A 螺旋桨直径 (Propeller diameter): 3.8m 最大速度 (Max speed): 521 km/h (飞行高度: 3200m) 实用升限 (Service ceiling): 9000m 航程 (Mileage): 2020km 载弹量 (Bomb loading): (1)正常 (Normal): 1000kg (2)最大 (Max): 2000kg 防御武器 (Weapons): (1)机炮 (Front firing cannons) 20mm×2 (2)机枪 (Rear firing machine guns) 7.62mm/12.7mm×3 (3)火箭弹 (Rear firing machine guns) PC-82 (PC-132)×10

\*版面限制，板件图非实际比例。  
■ 非必要零件。

**A**

**B**

**C**

**D**

**E**

**F**

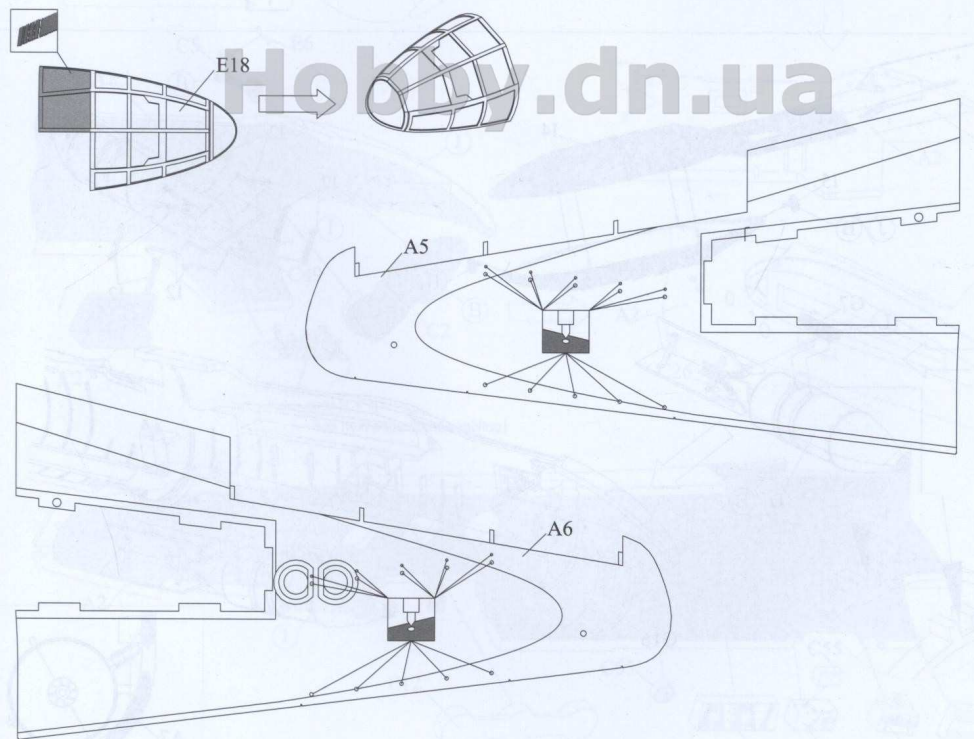
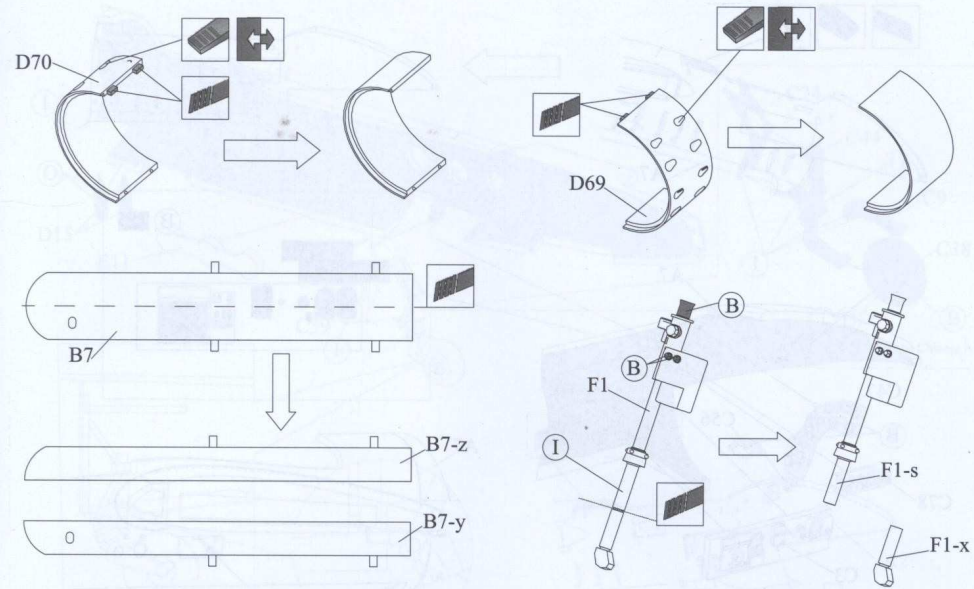
**G**

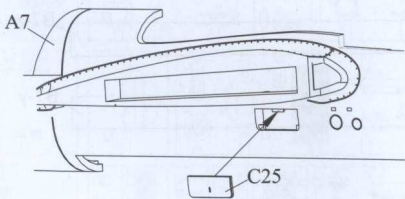
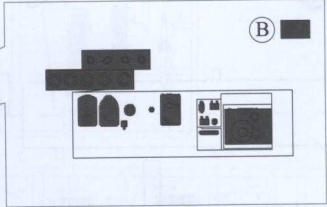
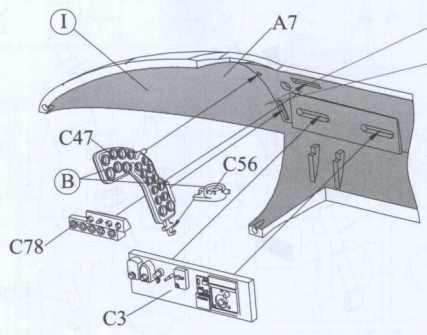
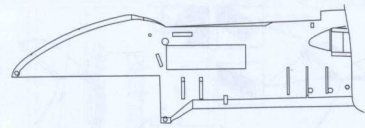
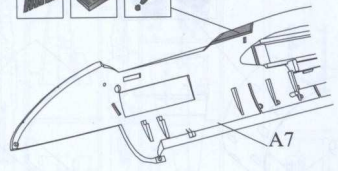
**H**

**I**

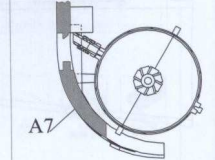
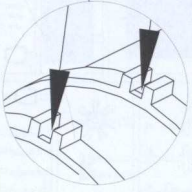
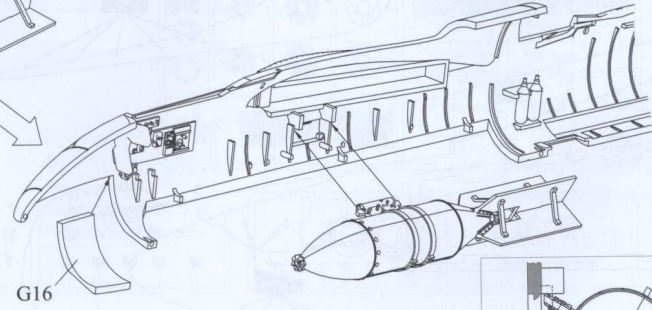
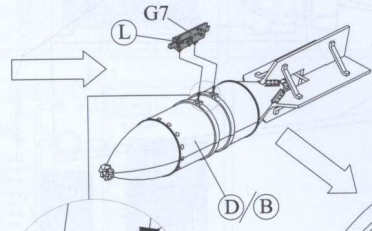
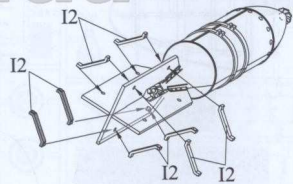
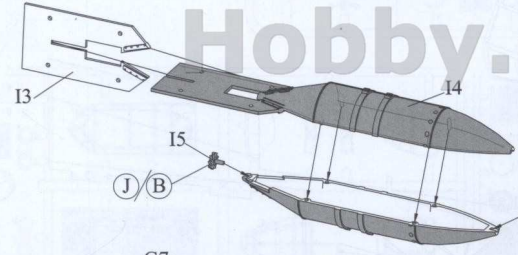
**Legend:**

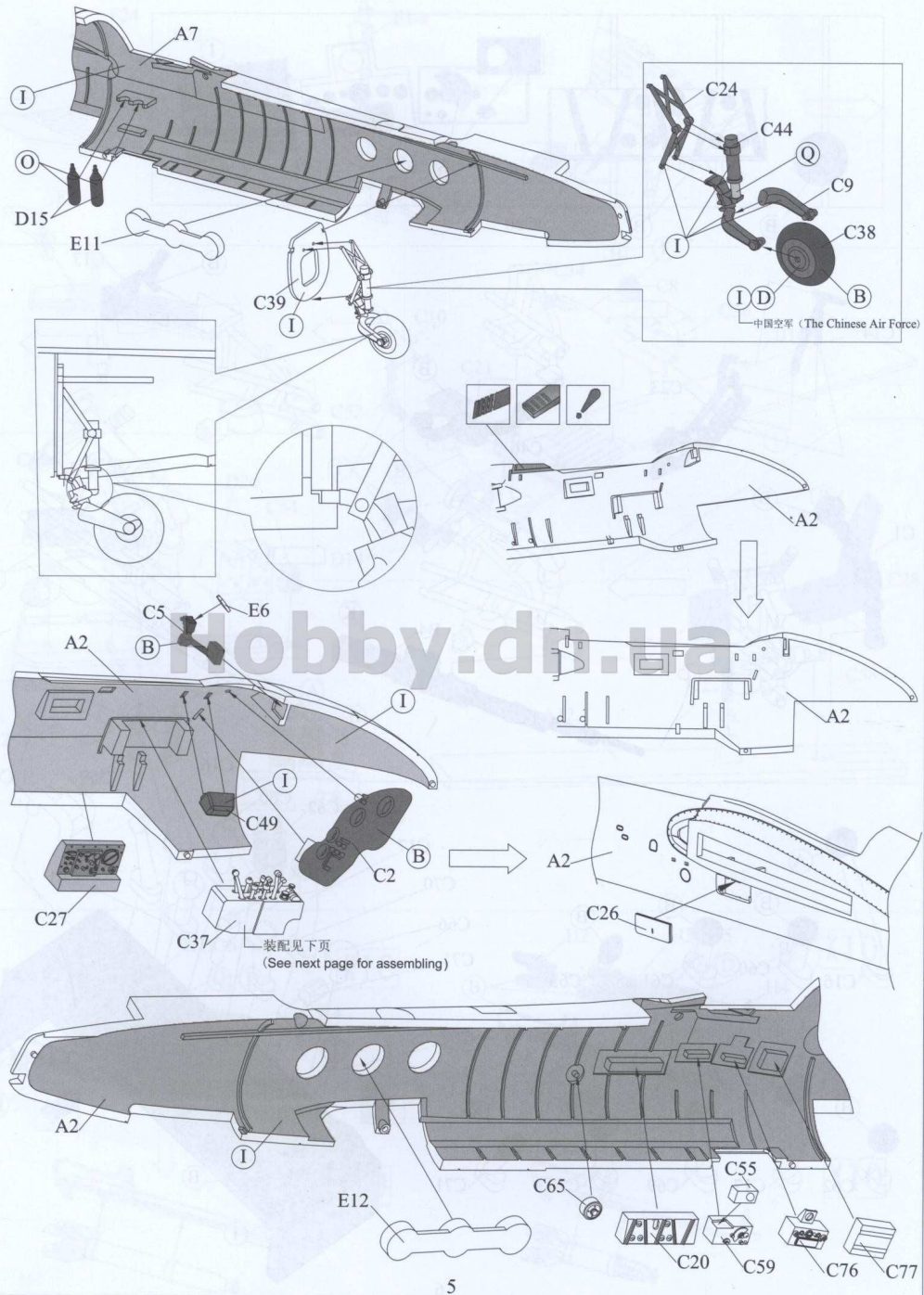
- 粘接配合: Glue parts
- 不用粘合: Do not glue
- 小心留意: Caution
- 制作两副: Make two sets
- 选择安装: Optional
- 剪去: Remove
- 贴上去即成: Apply decal
- 折弯: bend
- 打孔: Make hole
- 打磨平整: polish

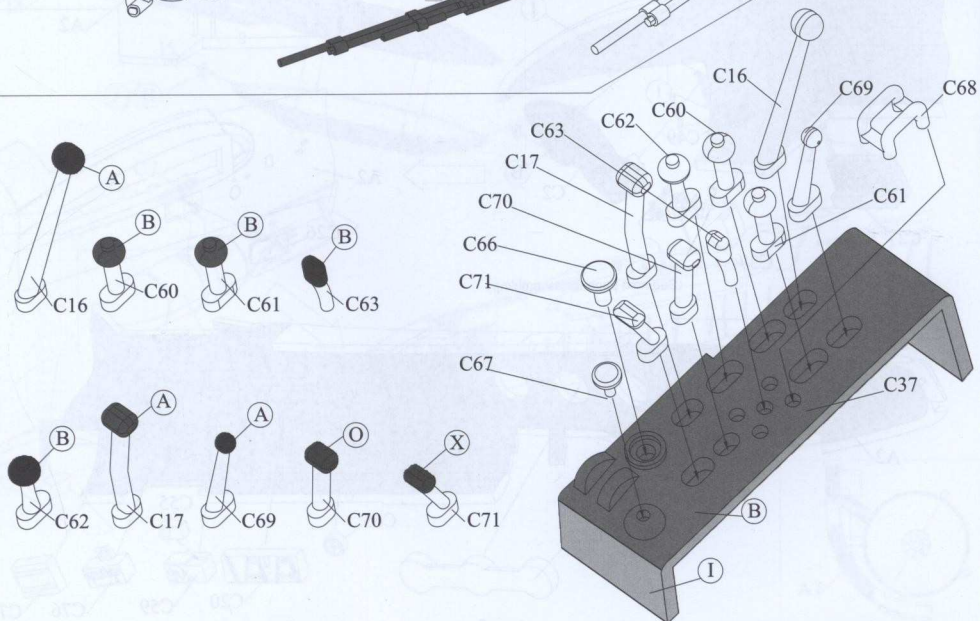
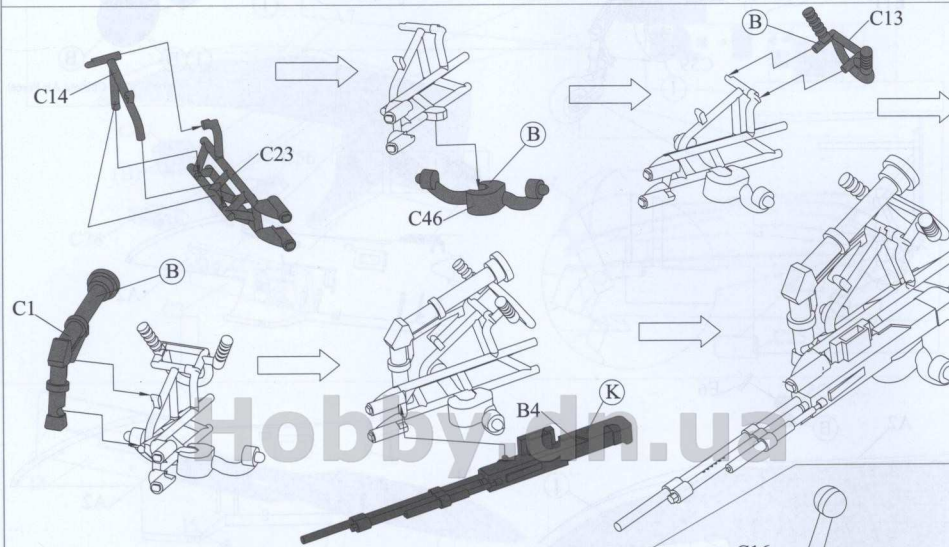
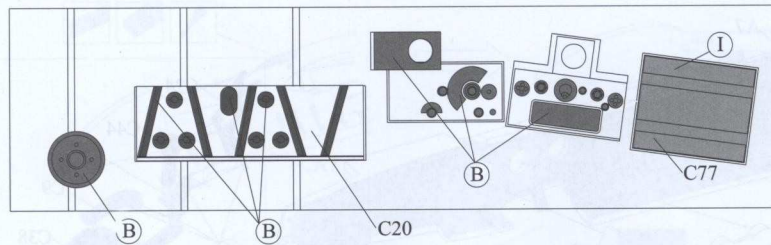


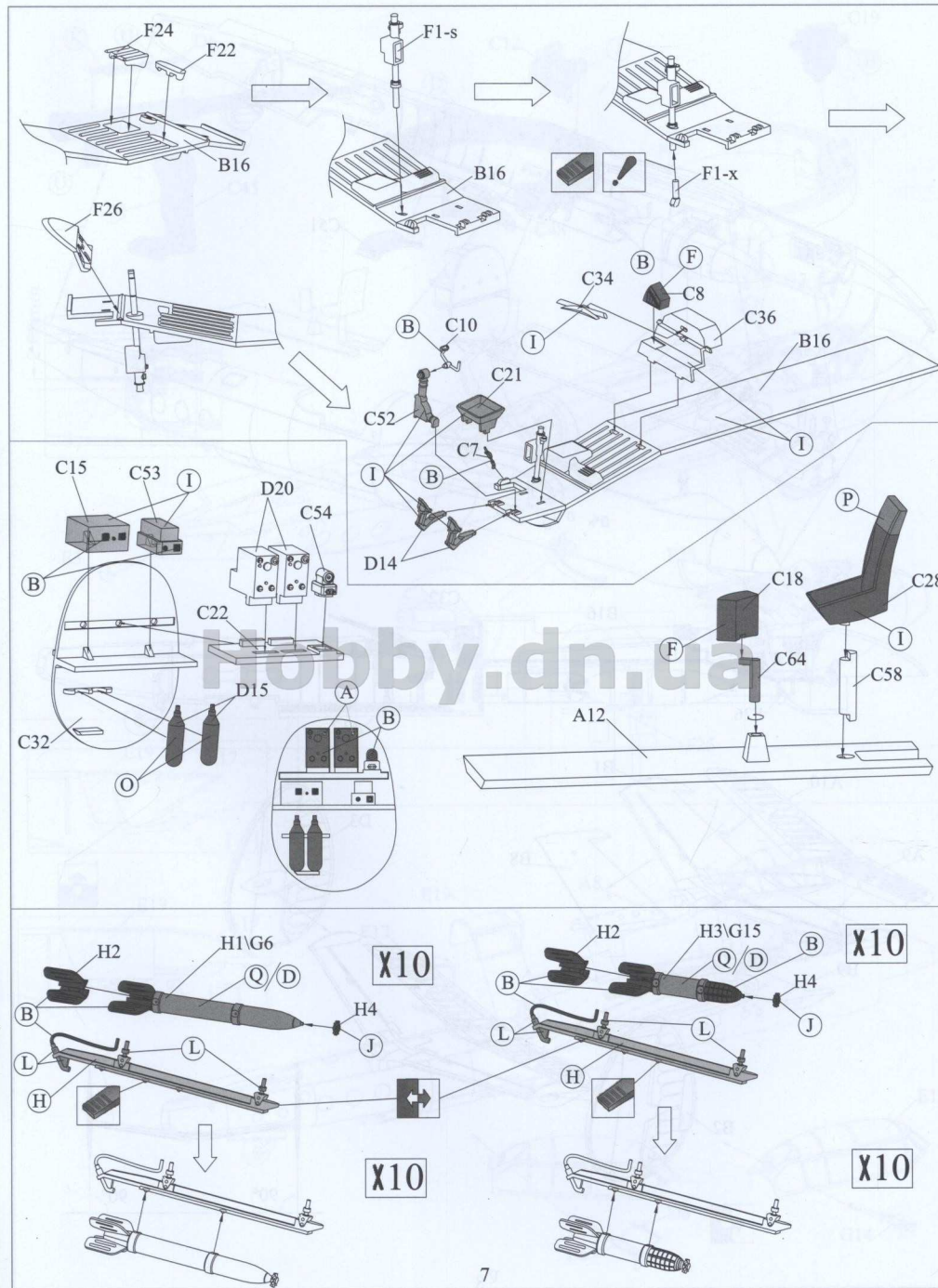


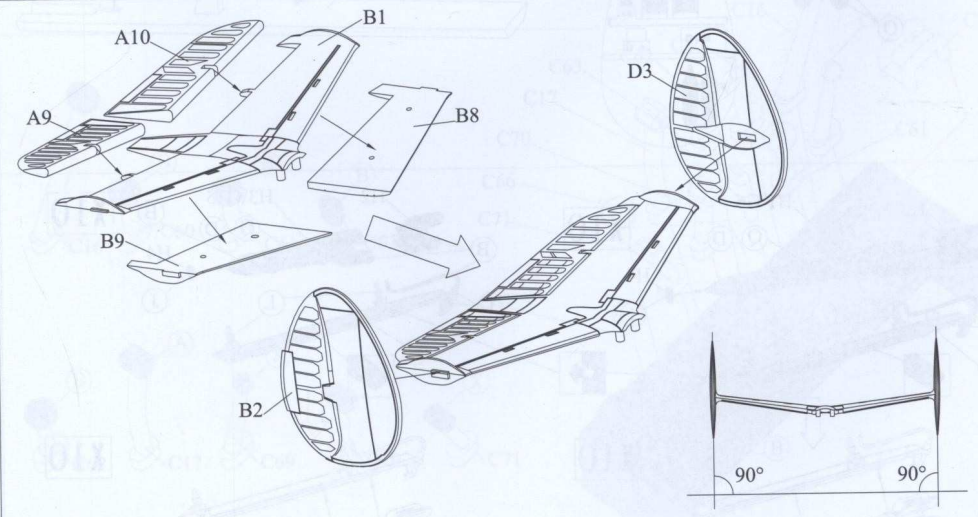
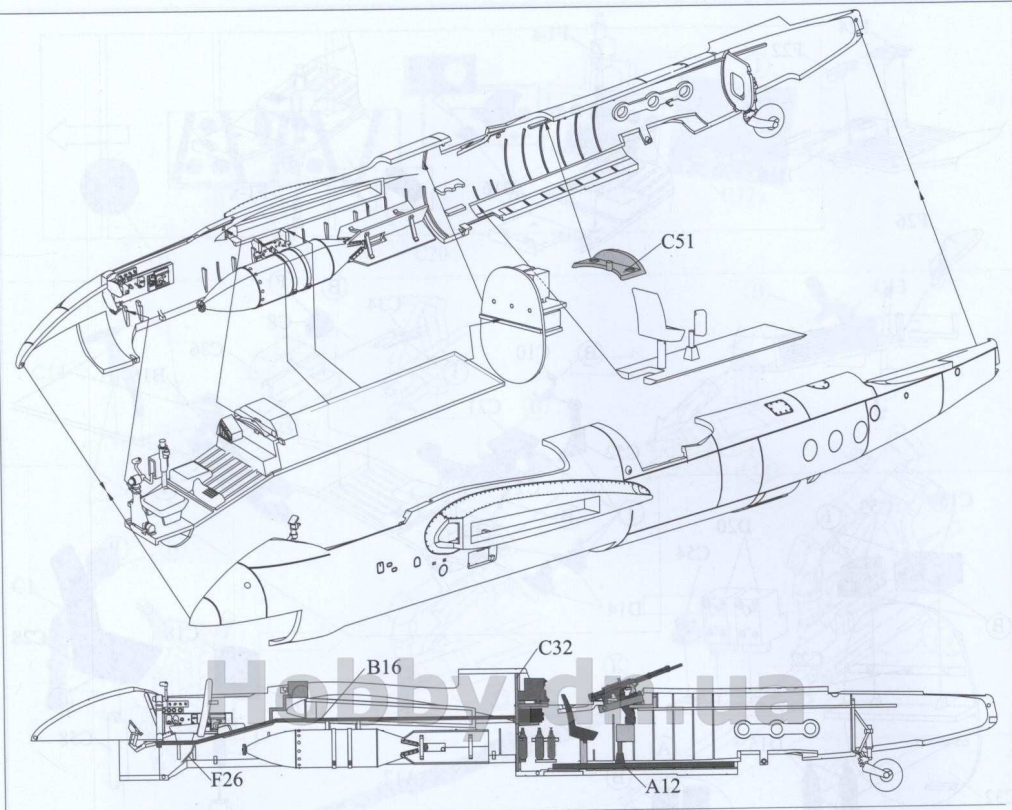
Hobby.dn.ua



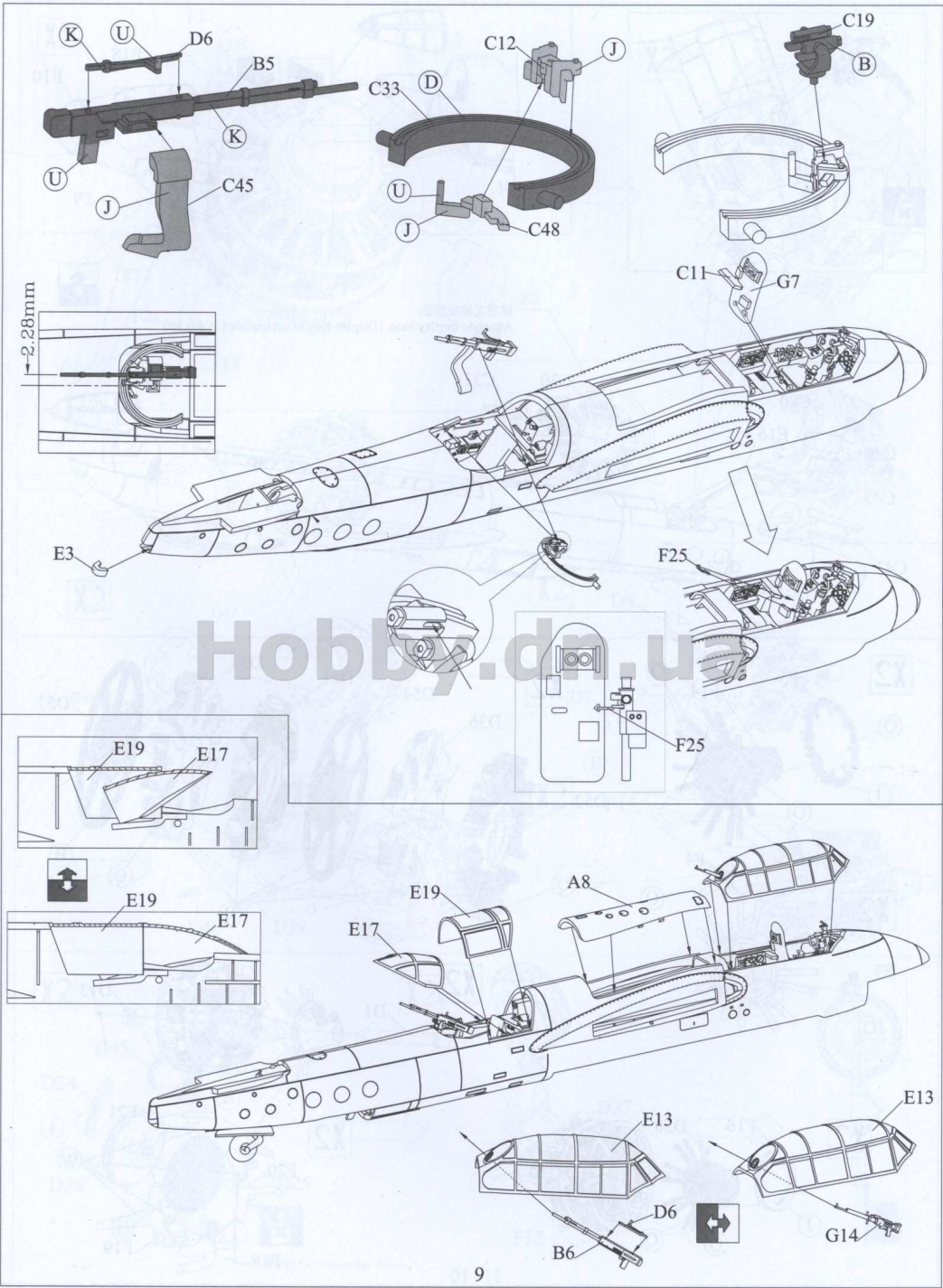


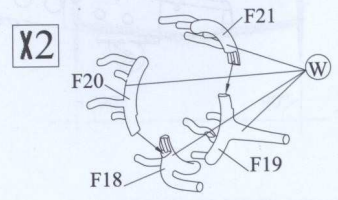
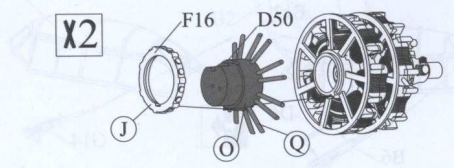
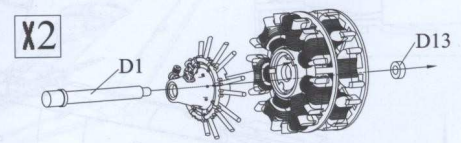
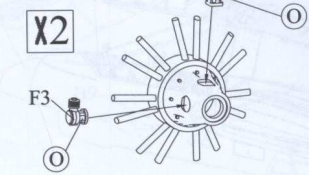
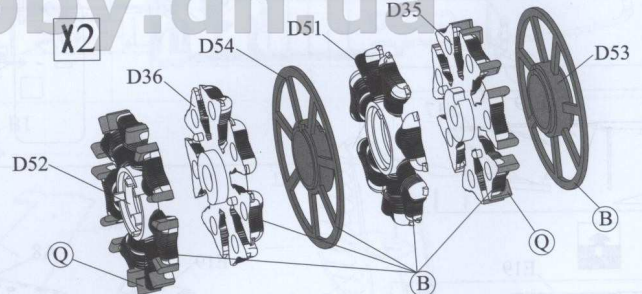
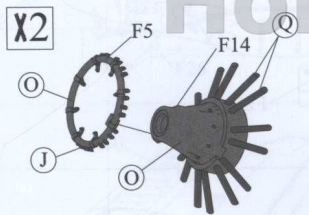
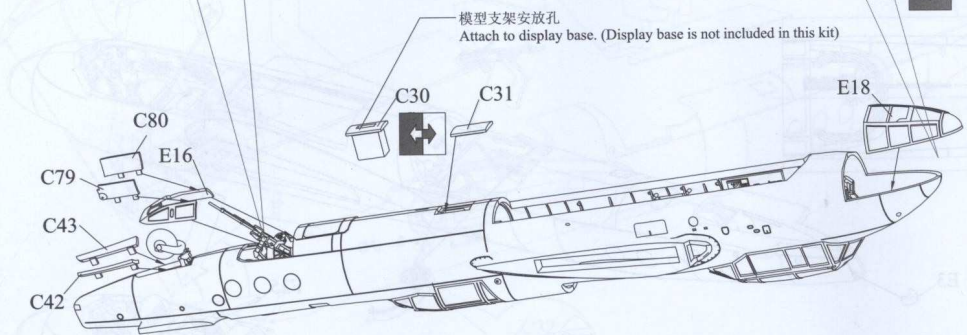
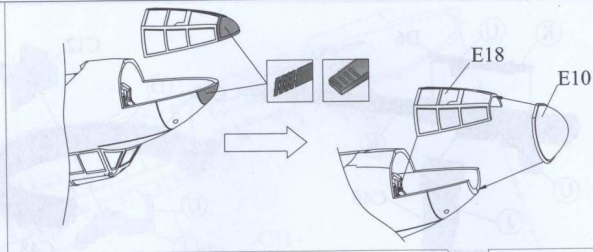
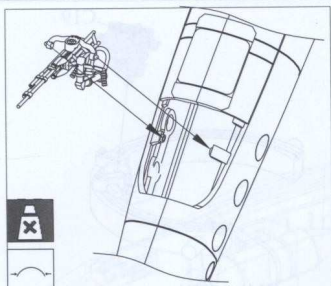


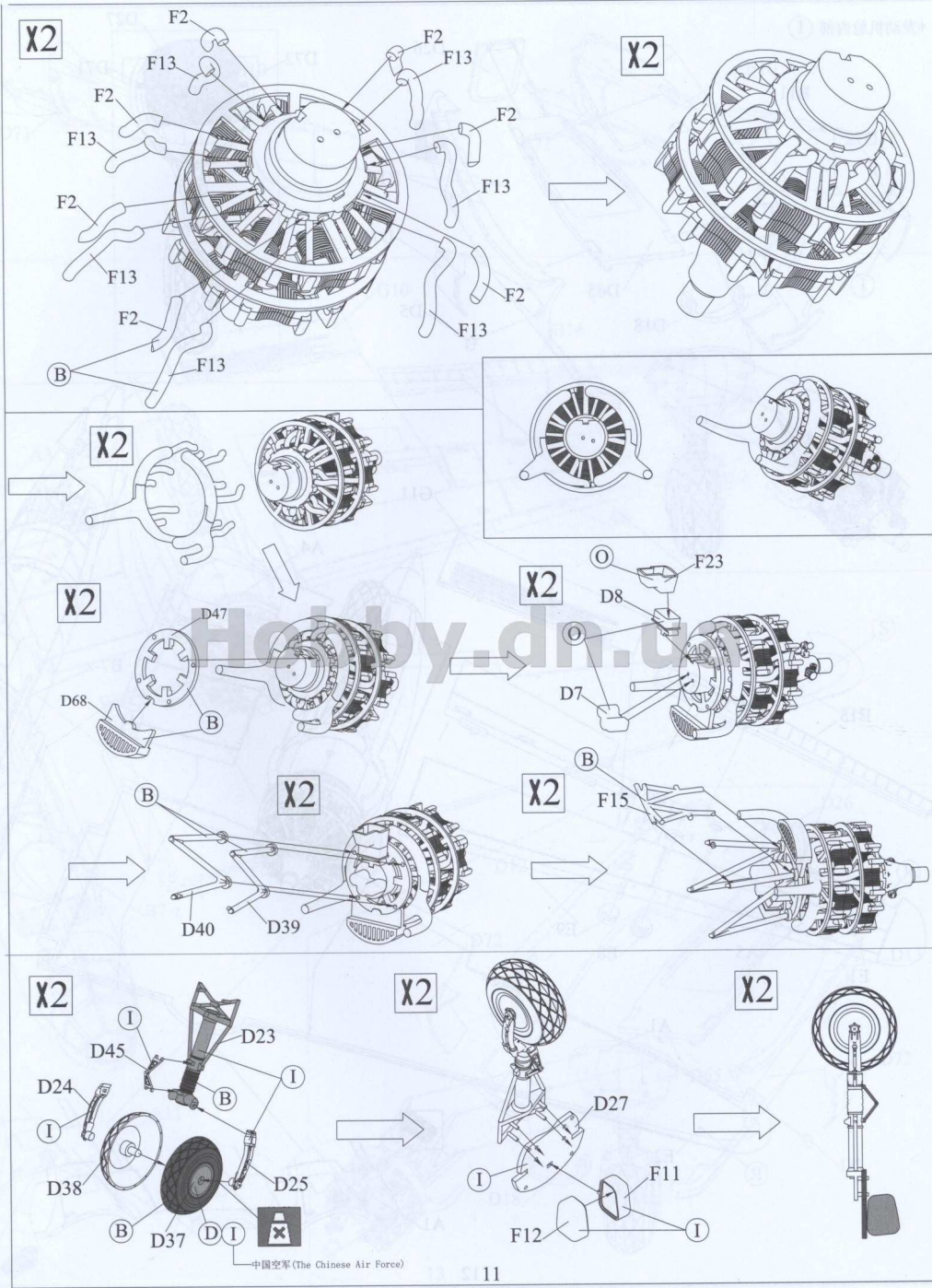




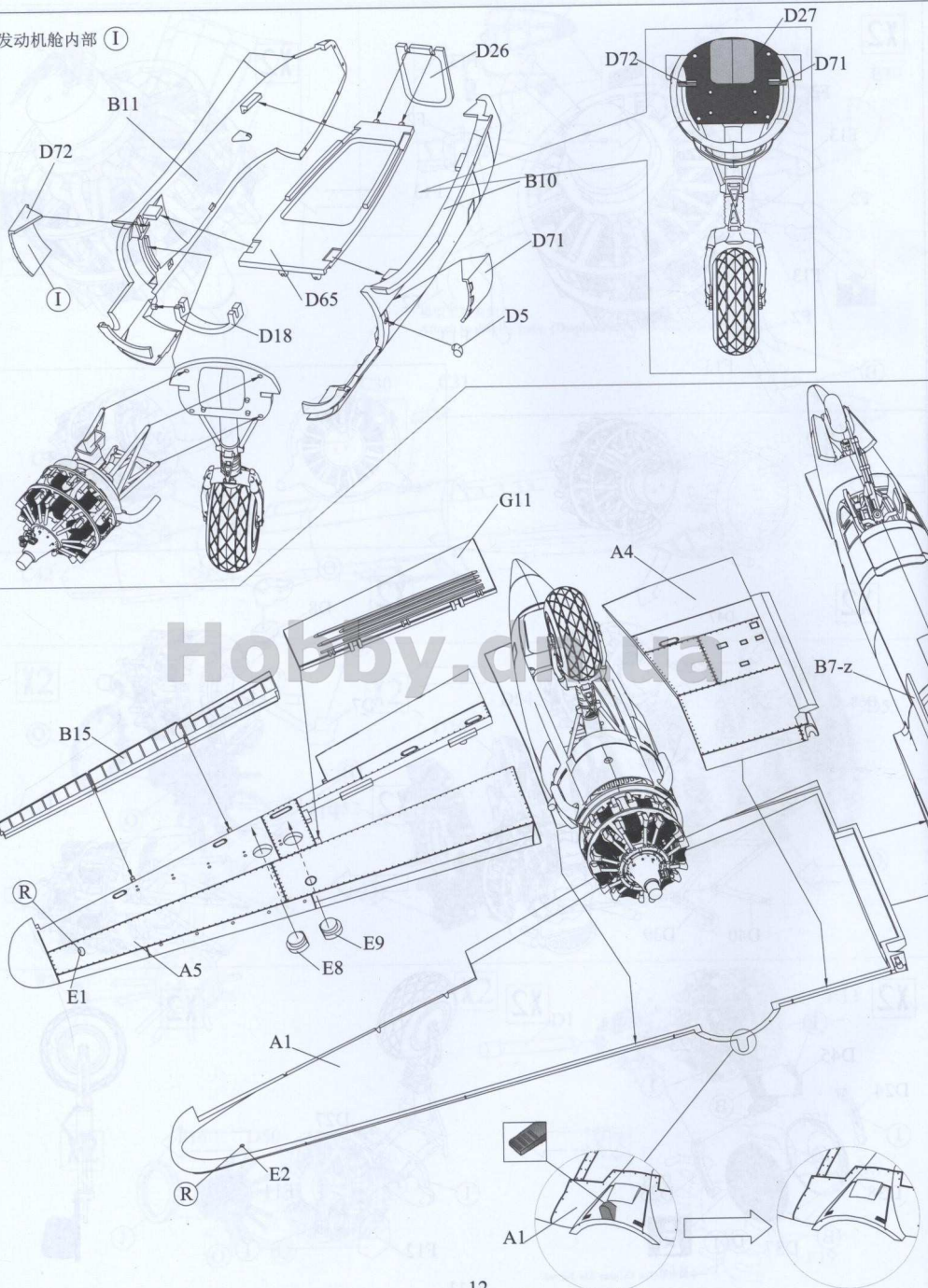


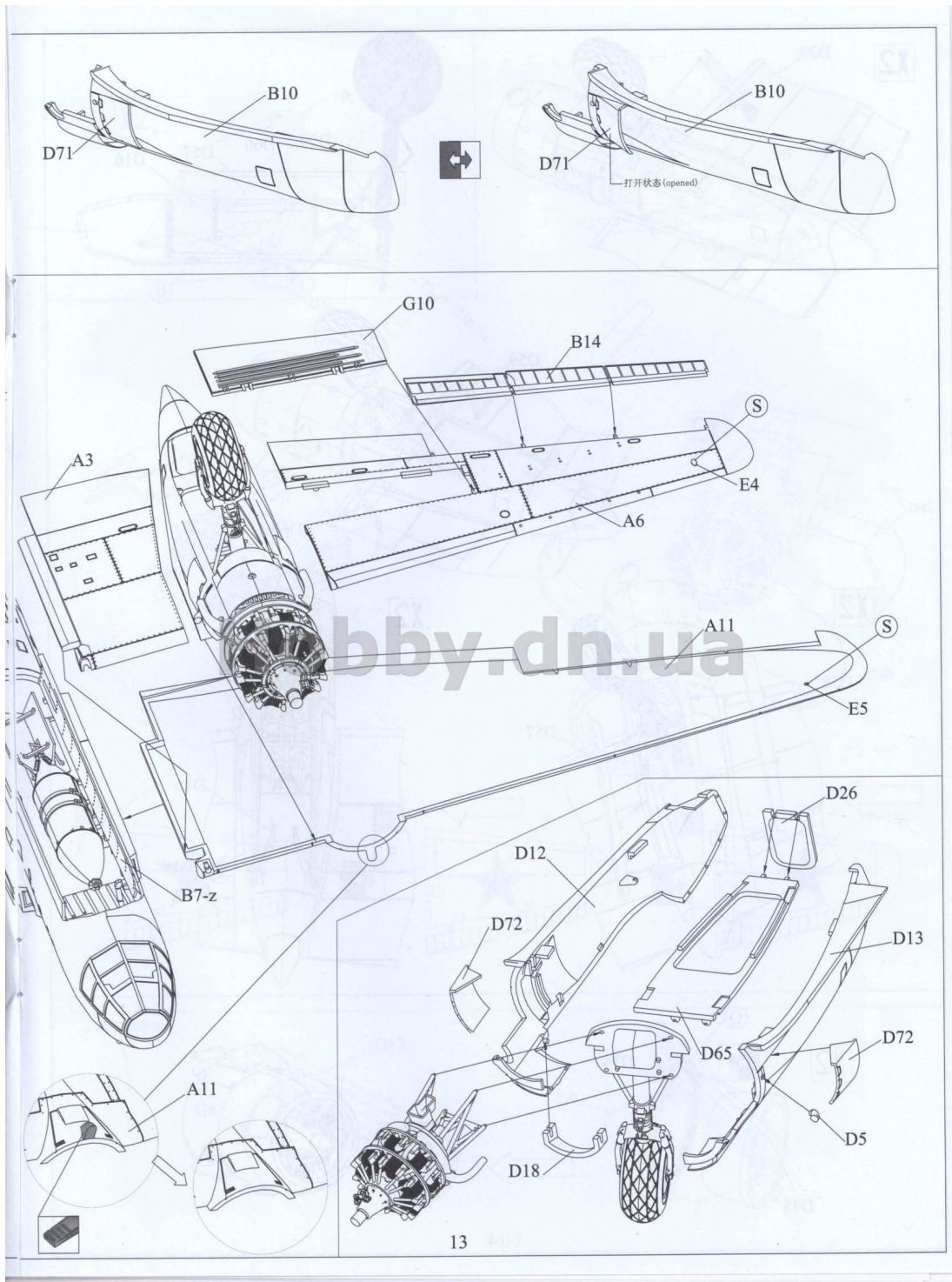


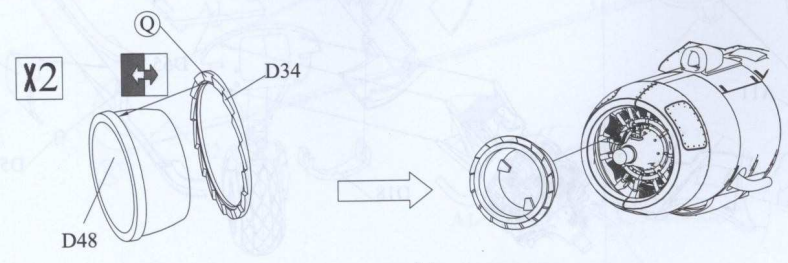
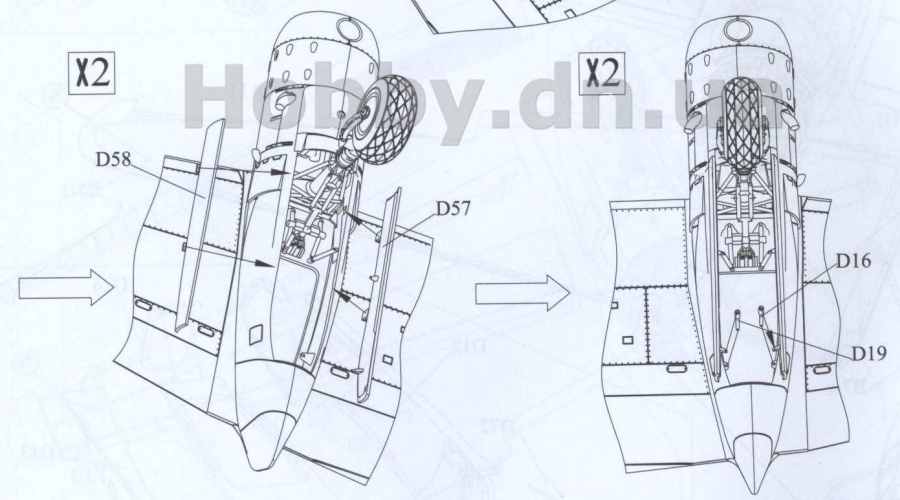
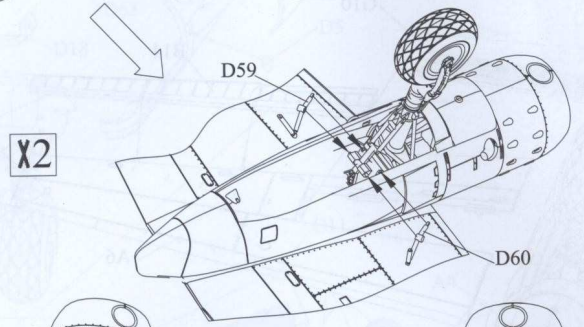
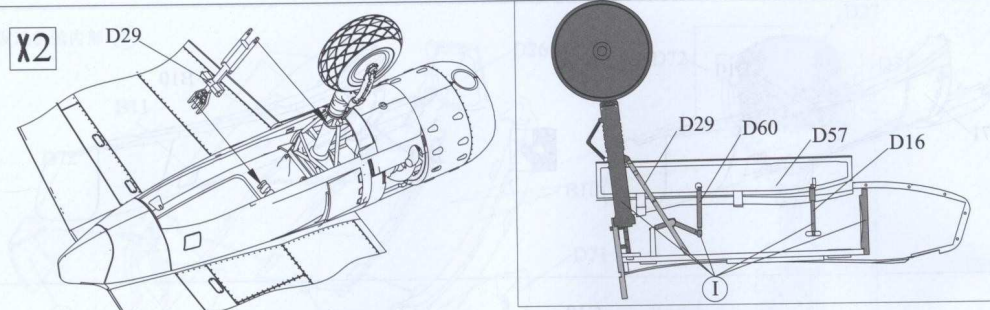




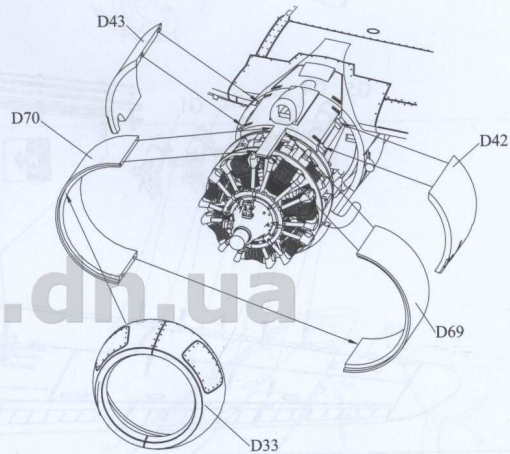
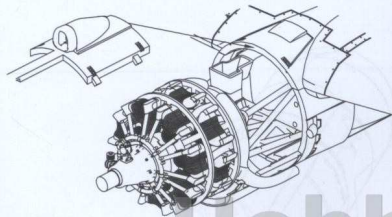
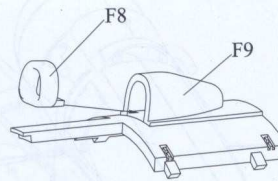
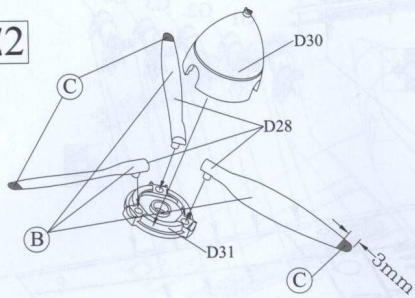
\*发动机舱内部 ①



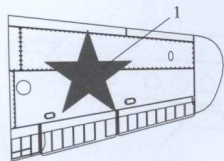




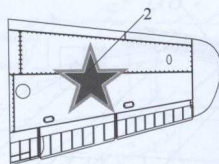
X2



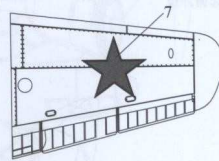
1



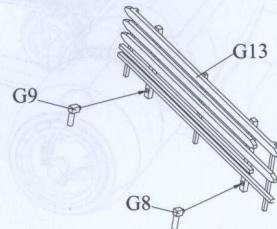
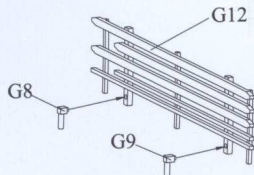
2

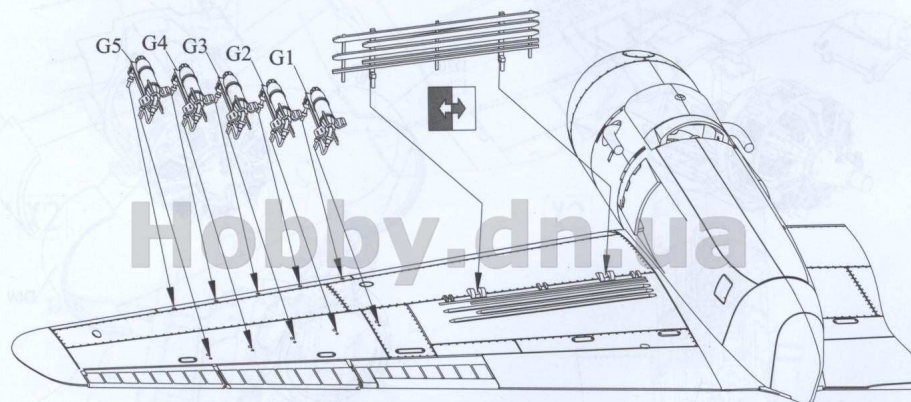
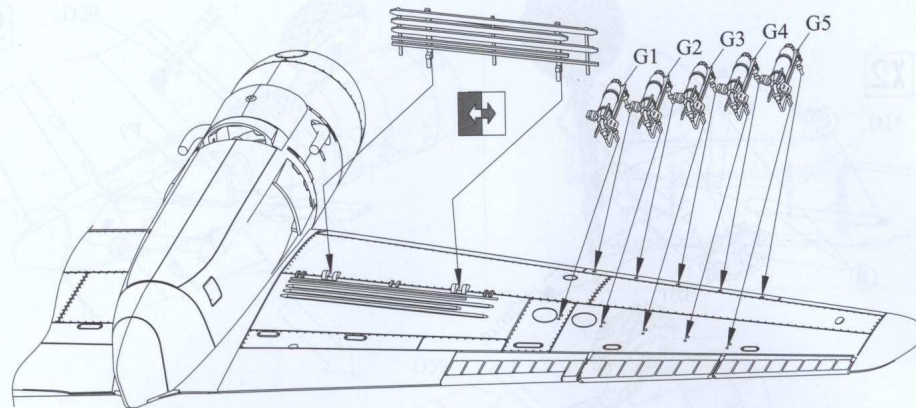


3

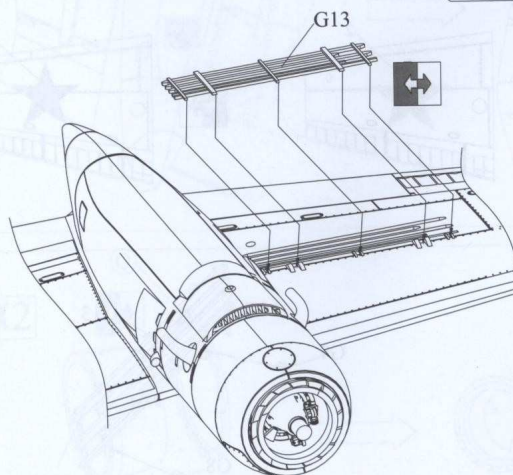


\*打开俯冲板

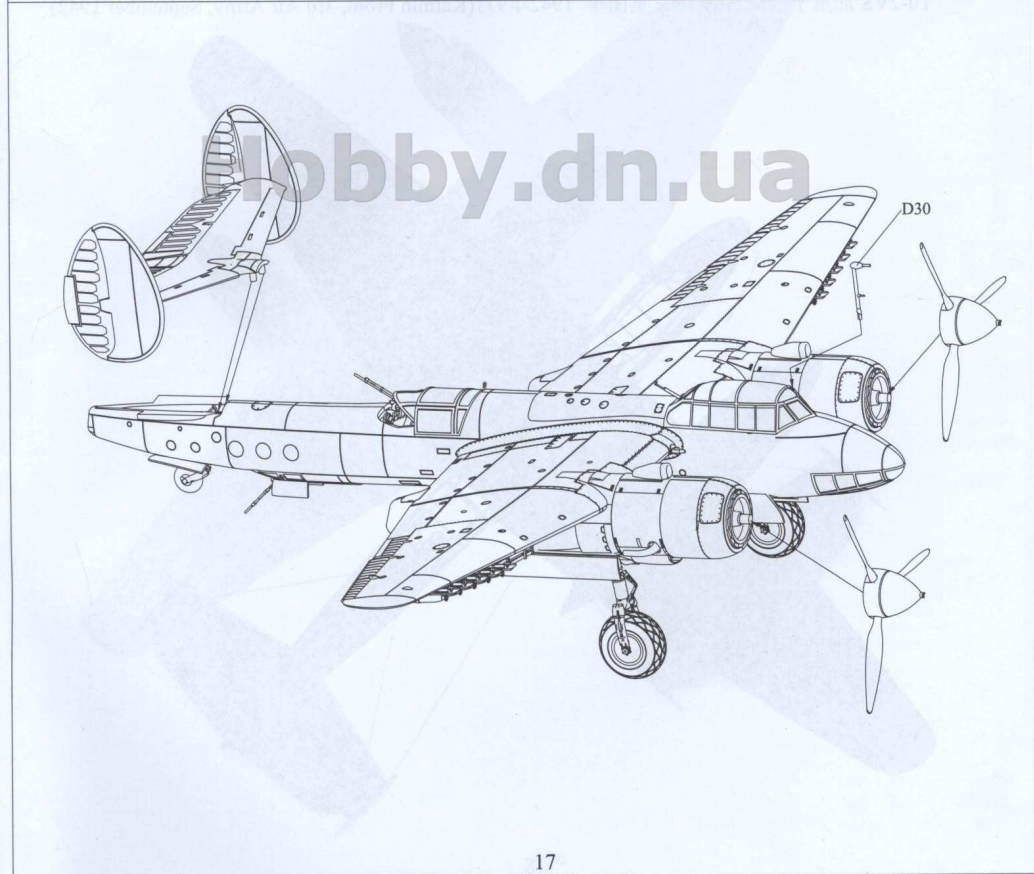
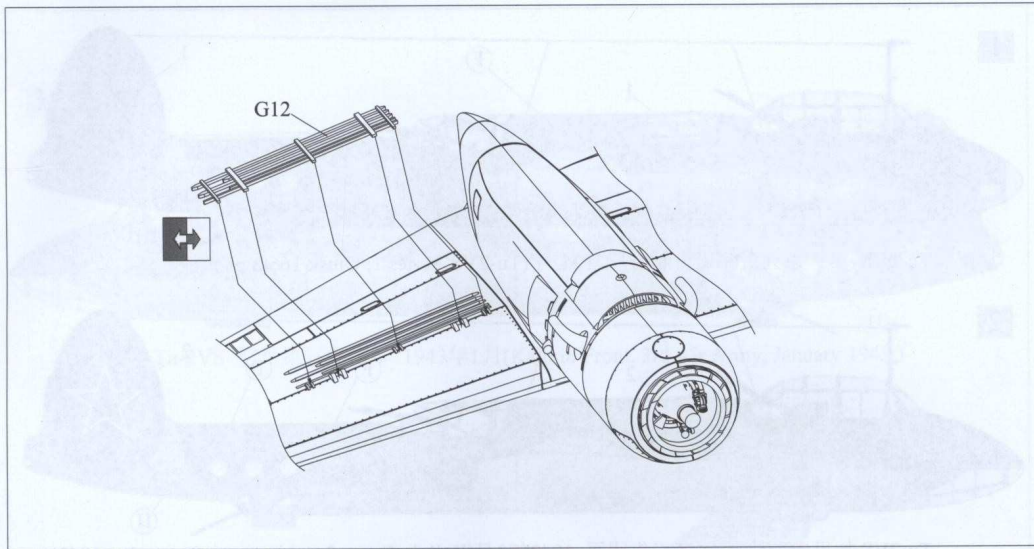


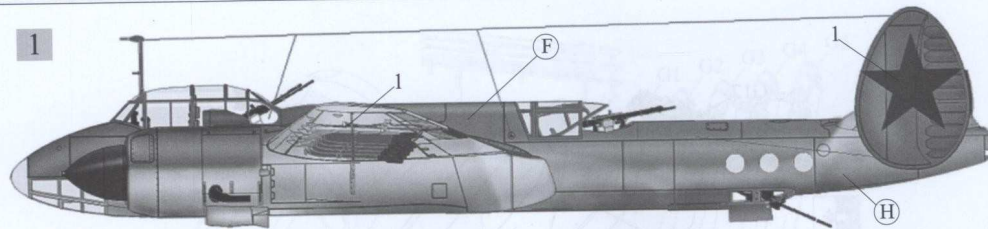


\*收起俯冲板

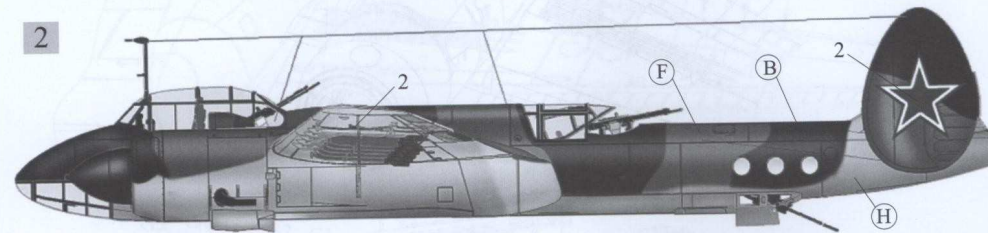




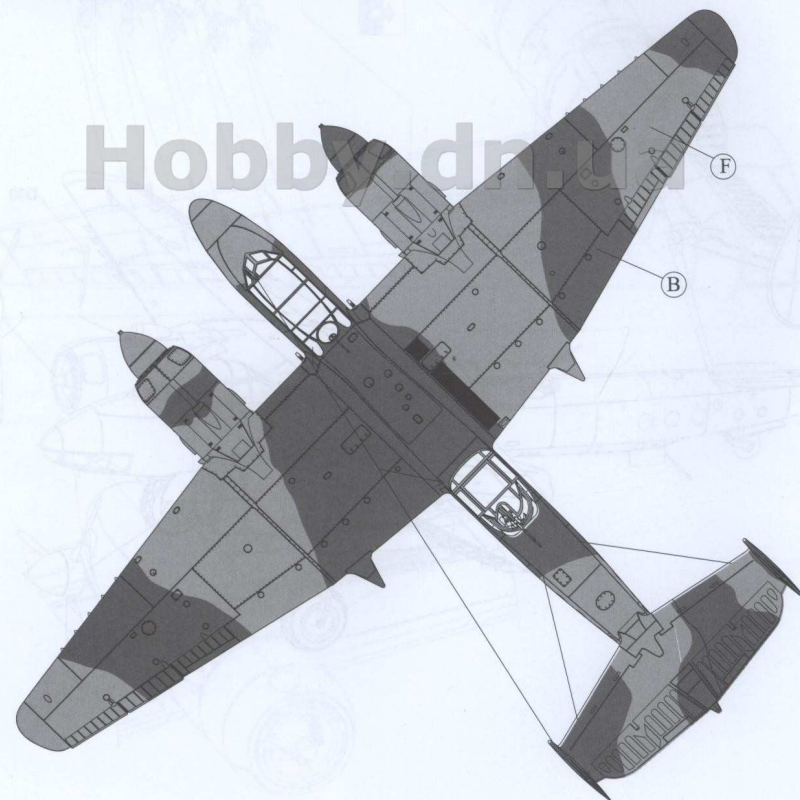




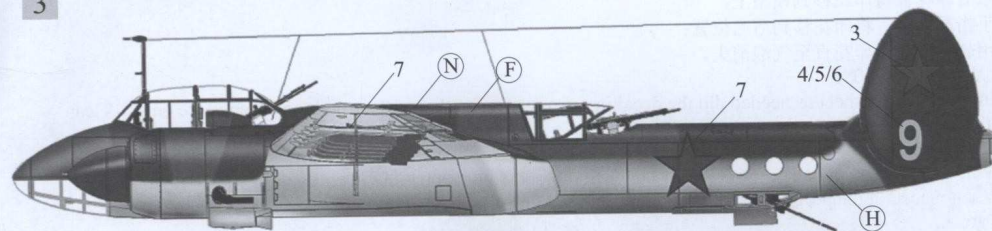
Tu-2VS 第一系列 166飞机制造厂 1942年(Tu-2VS, series 1, Omsk 166th plant)



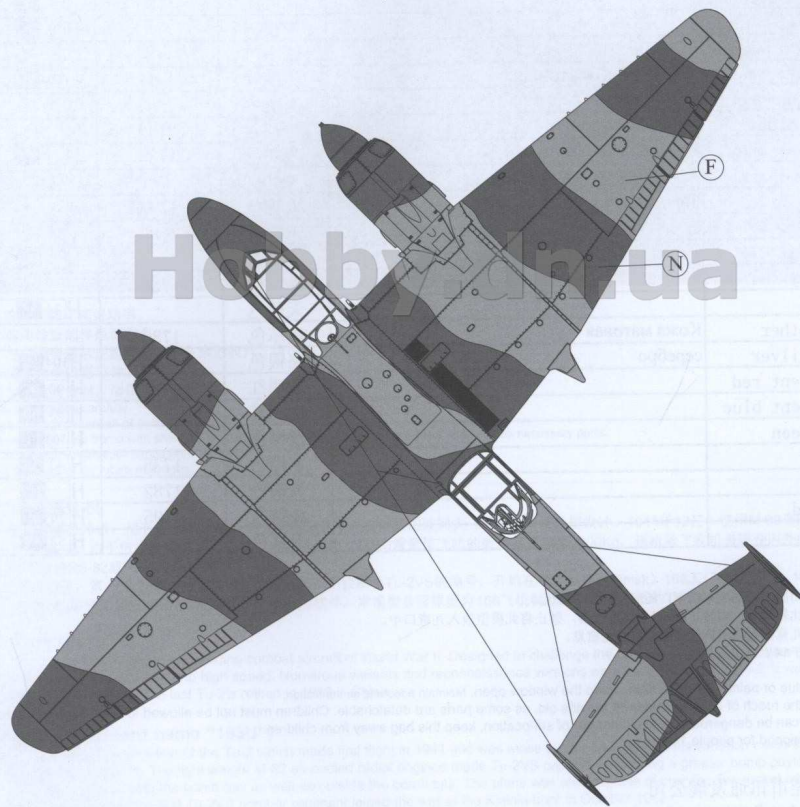
Tu-2VS 加里宁前线 空军第三集团军 1942年9月(Kalinin Front, 3rd Air Army, September 1942)



3



Tu-2VS 空军第三集团军 1943年1月(Kalinin Front, 3rd Air Army, January 1943)



水贴纸使用说明:

1. 从印花板上剪下所需部分, 放入温水浸泡10秒钟。
2. 拿着印花板将印花移到模型上,
3. 手指蘸水后, 将印花移到适当位置;
4. 用软布轻轻压印花直至气泡消失。

DECAL APPLICATION:

1. Cut decals from sheet as needed. dip the decal in warm water for about 10 seconds and then place on soft clean cloth.
2. Hold the decal onto the model in its proper position.
3. While still wet, decal can be adjusted for better fit on model by dampening it gently with your finger.
4. When placed in the proper position, gently press decal down with a soft cloth until excess water and air bubbles are gone.

number				model master	Mr. hobby	Tamiya
A	Matt white	Аелый матовый	亚白色	1745	H111	XF2
B	matt Black	Чёрный матовый	亚黑色	1749	H1233	XF1
C	signal yellow		信号黄	1780	H44	X8
D	olive drab		橄榄褐		H7838	XF62
E	matt light earth	Коричневый матовый	浅土色			
F	matt olive drab	Оливковый матовый	橄榄绿	1711	H304304	AS14
G	matt ocean grey	Серо-голубой	海灰色			XF54
H	russian blue	голубой авиа	俄罗斯蓝	2130		
I	matt light grey	Светло-серый матовый	浅灰色	1730	H1151	AS16
J	matt aluminium	Алюминиевый матовый	铝色	1781		TS17
K	gunmetal	вороненая сталь	枪管色	1795		TS38
L	steel	сталь	钢铁色	1780		
M	matt sand	Лесочный матовый	沙土色		H2171	TS46
N	dark grey		深灰色	1723		
O	sky blue		天蓝色		H3425	TS23
P	matt leather	Кожа матовая	皮革色	1736		
Q	chrome silver	серебро	铬银色	1790	H104	TS30
R	Transparent red		透明红		H9047	X27
S	Transparent blue		透明蓝		H9350	X23
T	Light green		浅绿色		H303303	
U	wood		木棕色	1735	H4337	
V	brass		黄铜色	1782	H219	XF28
W	steel red		烧铁色	1795	H7661	XF10
X	khaki		卡其色		H5248	

注意事项:

1. 切勿在火旁使用胶水、油漆和溶剂, 还应保持室内通风。
2. 由于某些零件比较细小, 切勿让3岁以下儿童接触, 禁止将此模型放入儿童口中。
3. 切勿让婴儿与儿童接触到塑料包装袋, 以避免窒息。
4. 本产品只适用于14岁以上人群使用。

CAUTION:

1. Do not use glue or paint near open flame. keep the window open. Maintain adequate air ventilation.
2. Keep out of the reach of children under 36 months old, as some parts are detachable. Children must not be allowed to suck any part in this kit.
3. Plastic bags can be dangerous. To avoid danger of suffocation, keep this bag away from children.
4. This kit is designed for people 14 and up.

制造商: 东莞市讯通发展公司

Manufacturer: Xuntong Development Co., Ltd.

地址: 广东省东莞市莞太大道5号讯通大厦

Address: Xuntong Building, 5 Guantai Road, Dongguan City, Guangdong Province

Tel: +86+769+22493699 Fax: +86+769+22469208

Postal code: 523009 E-mail: xtco@163.net

Http: //www. XT model. com. cn