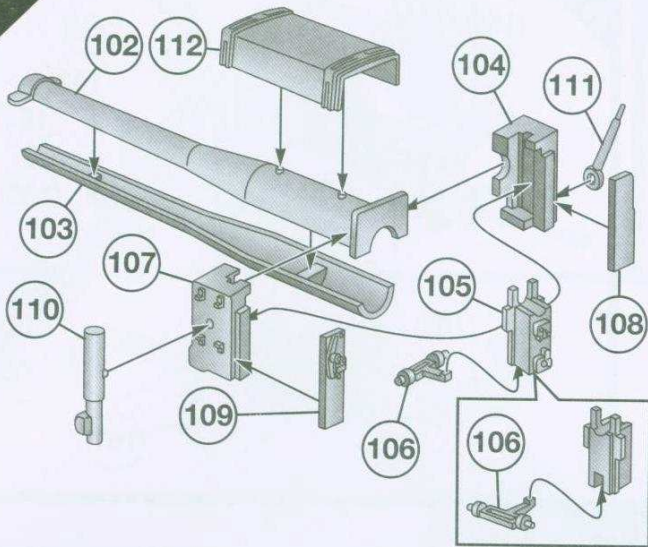
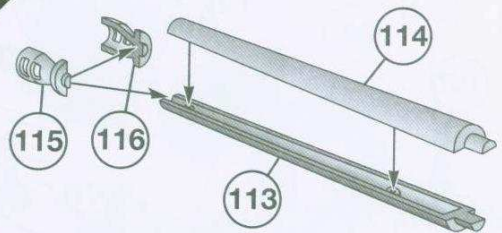


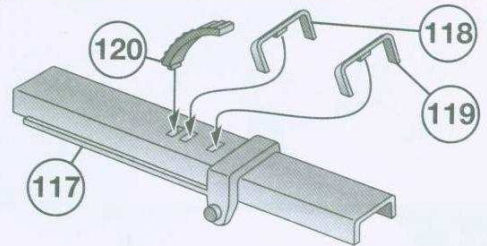
1



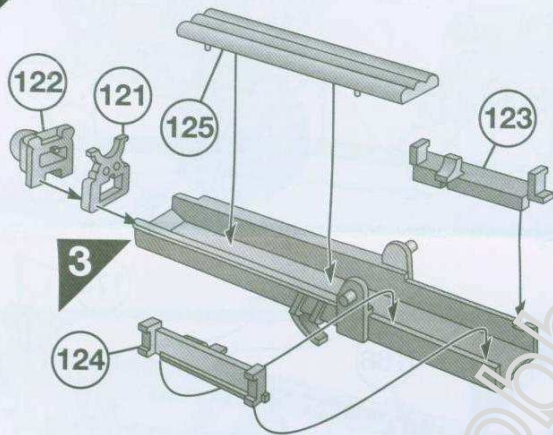
2



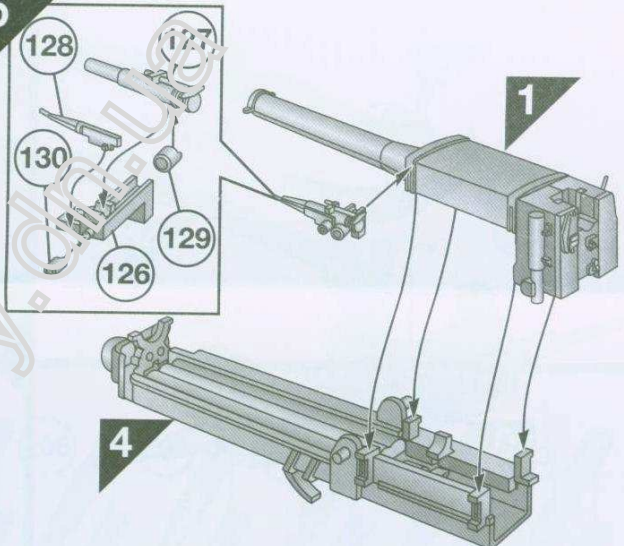
3



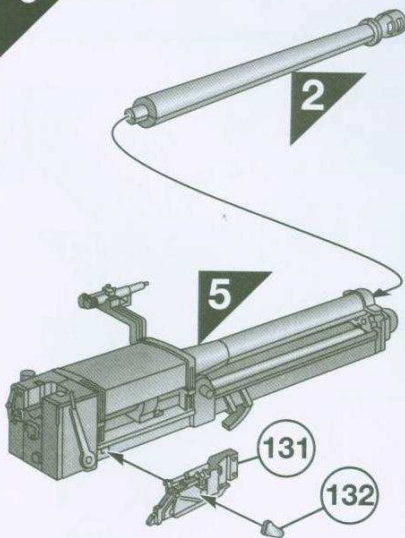
4



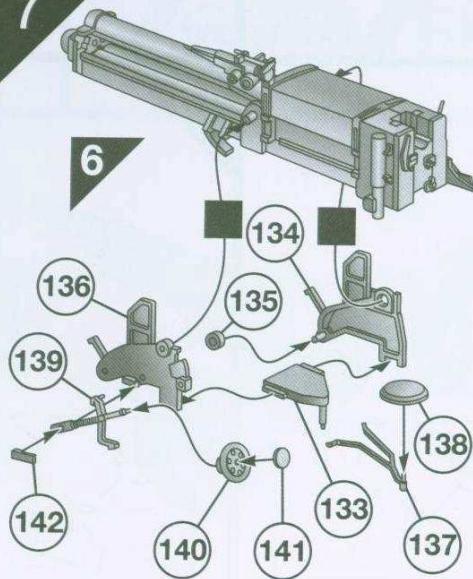
5



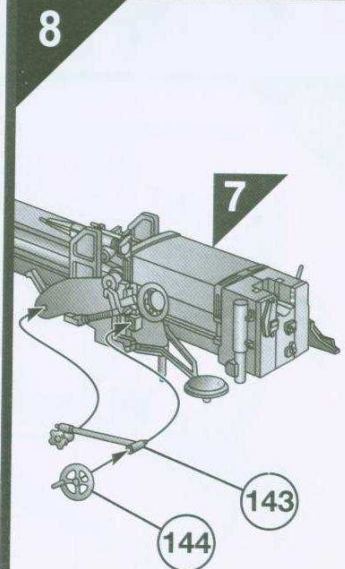
6

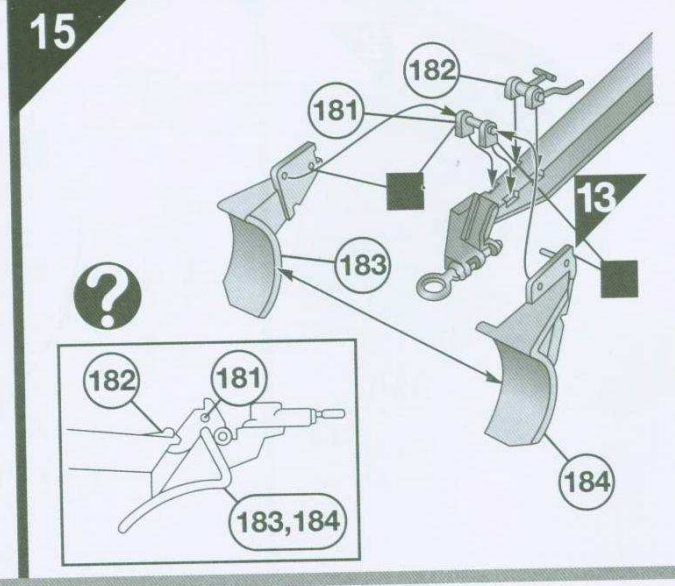
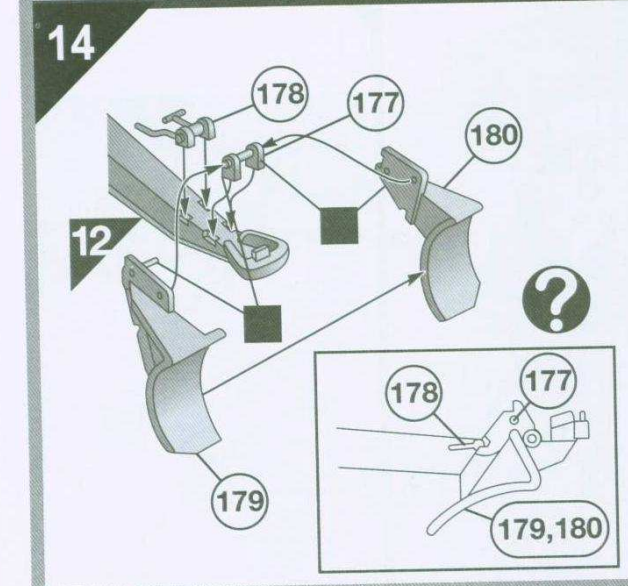
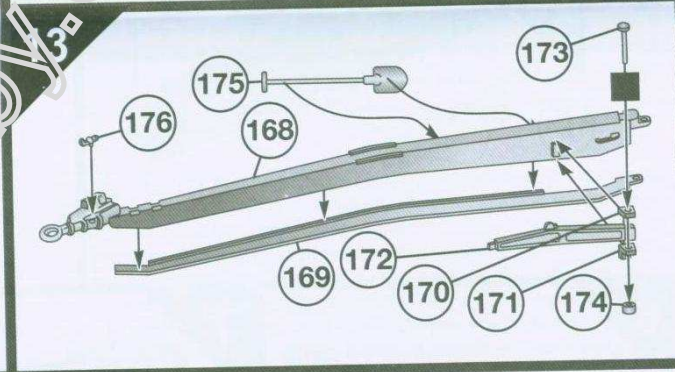
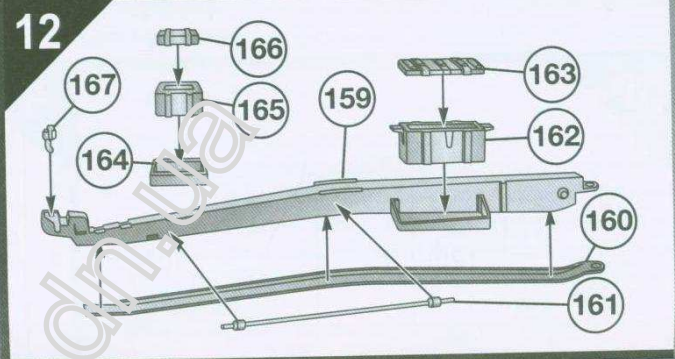
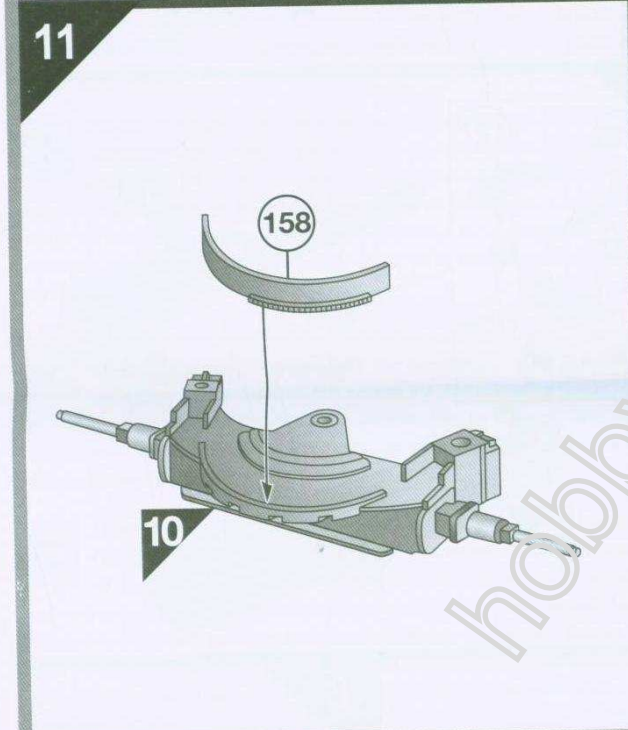
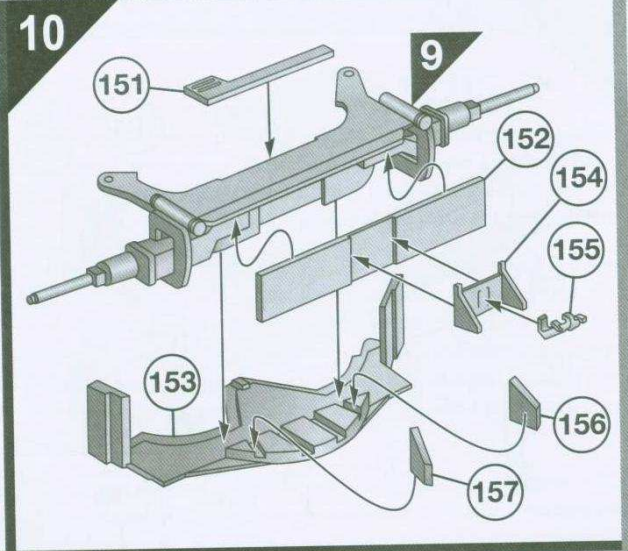
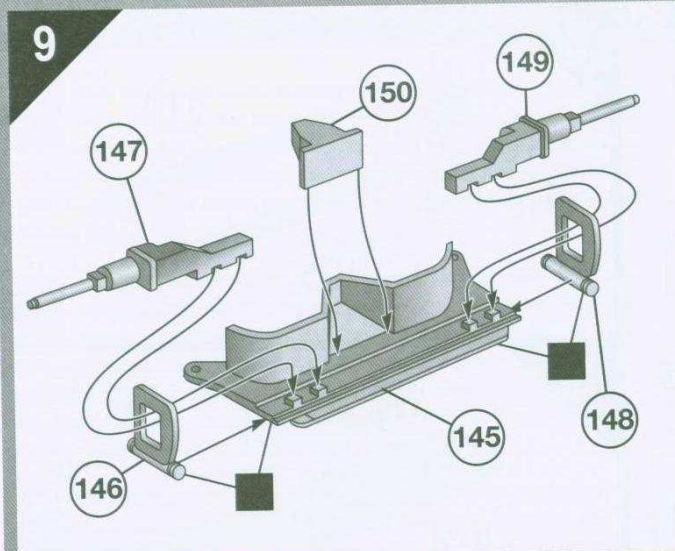


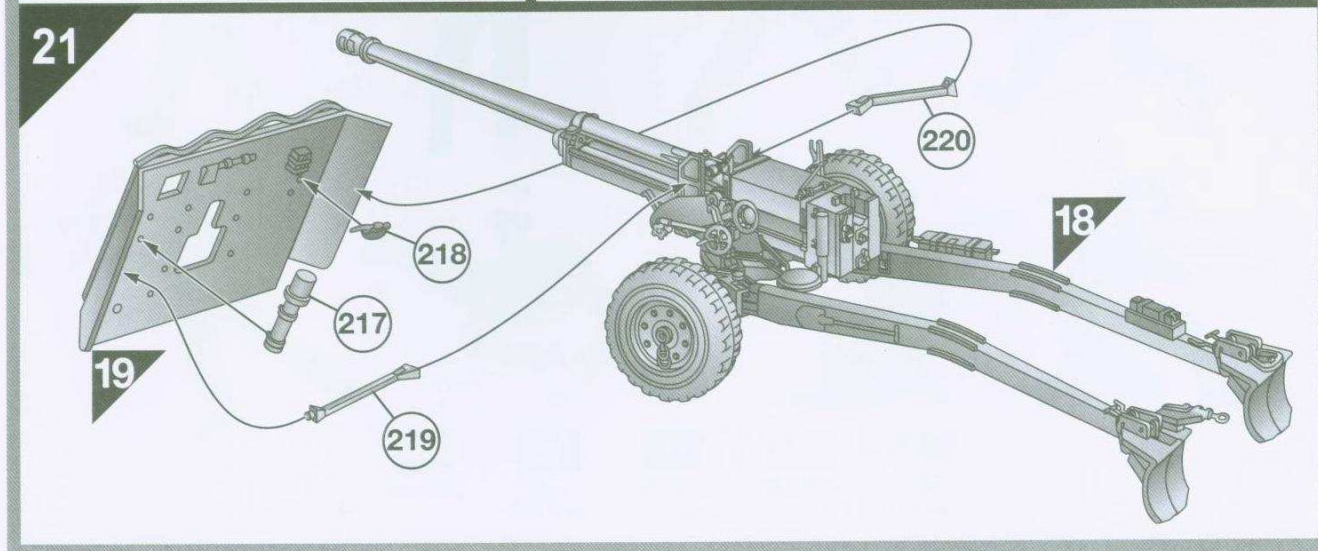
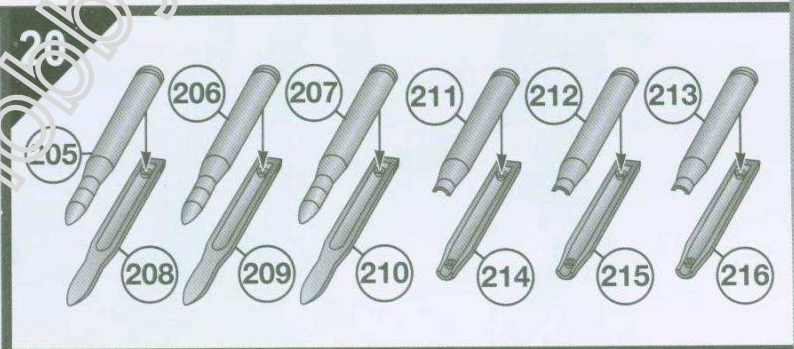
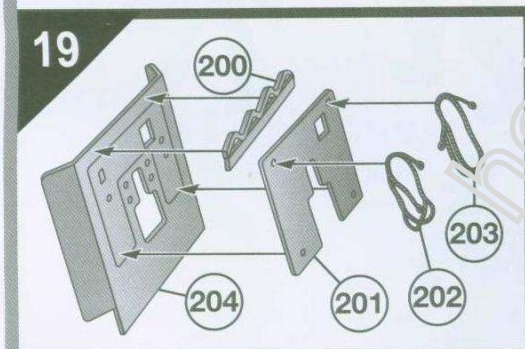
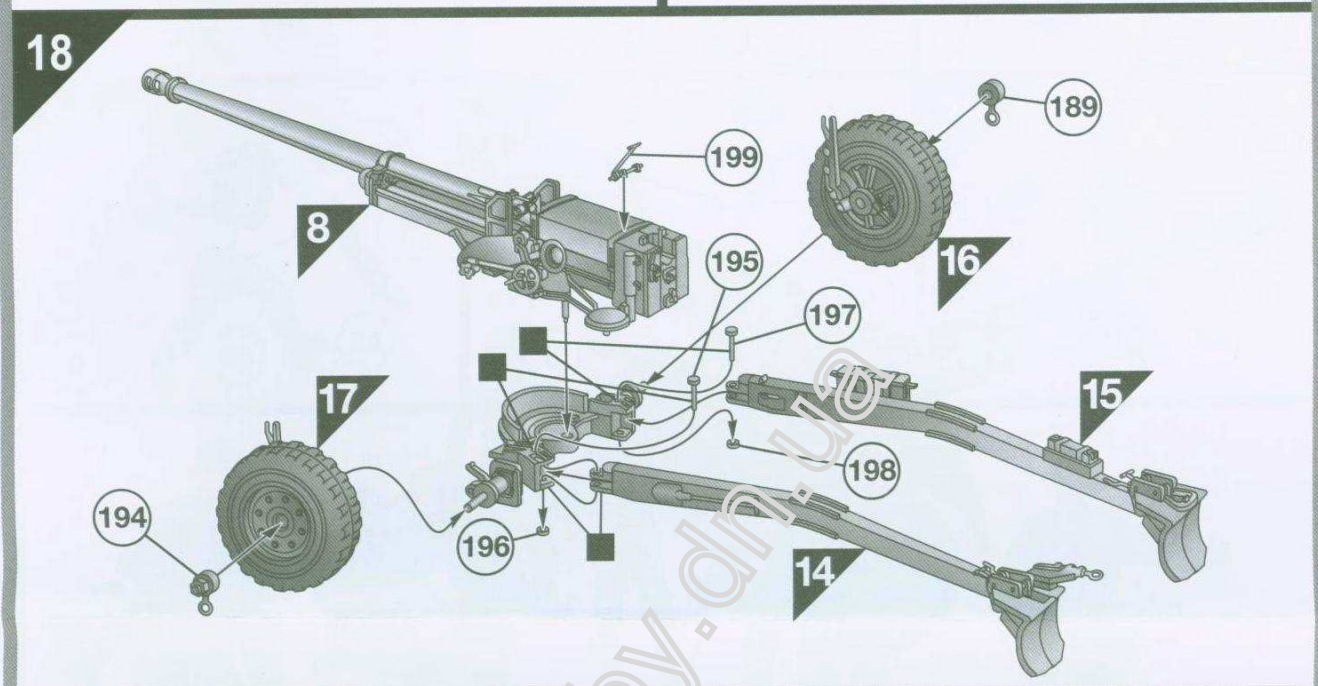
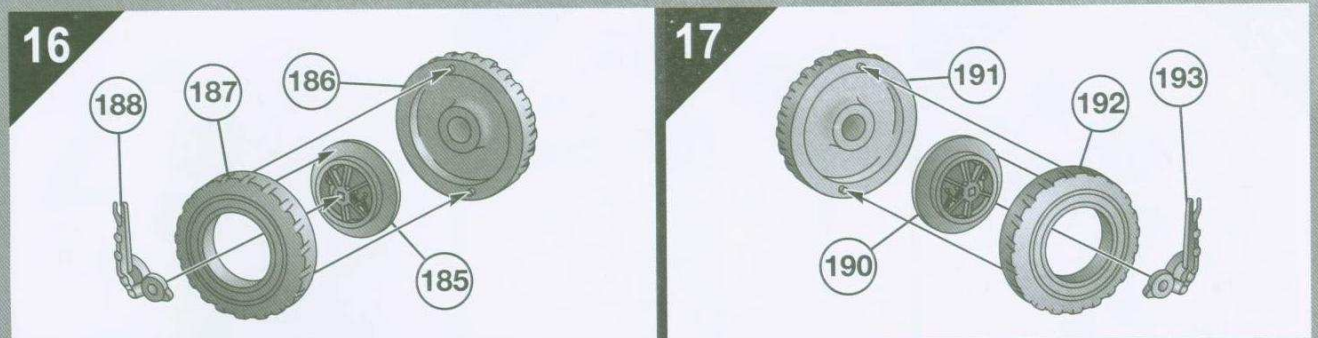
7



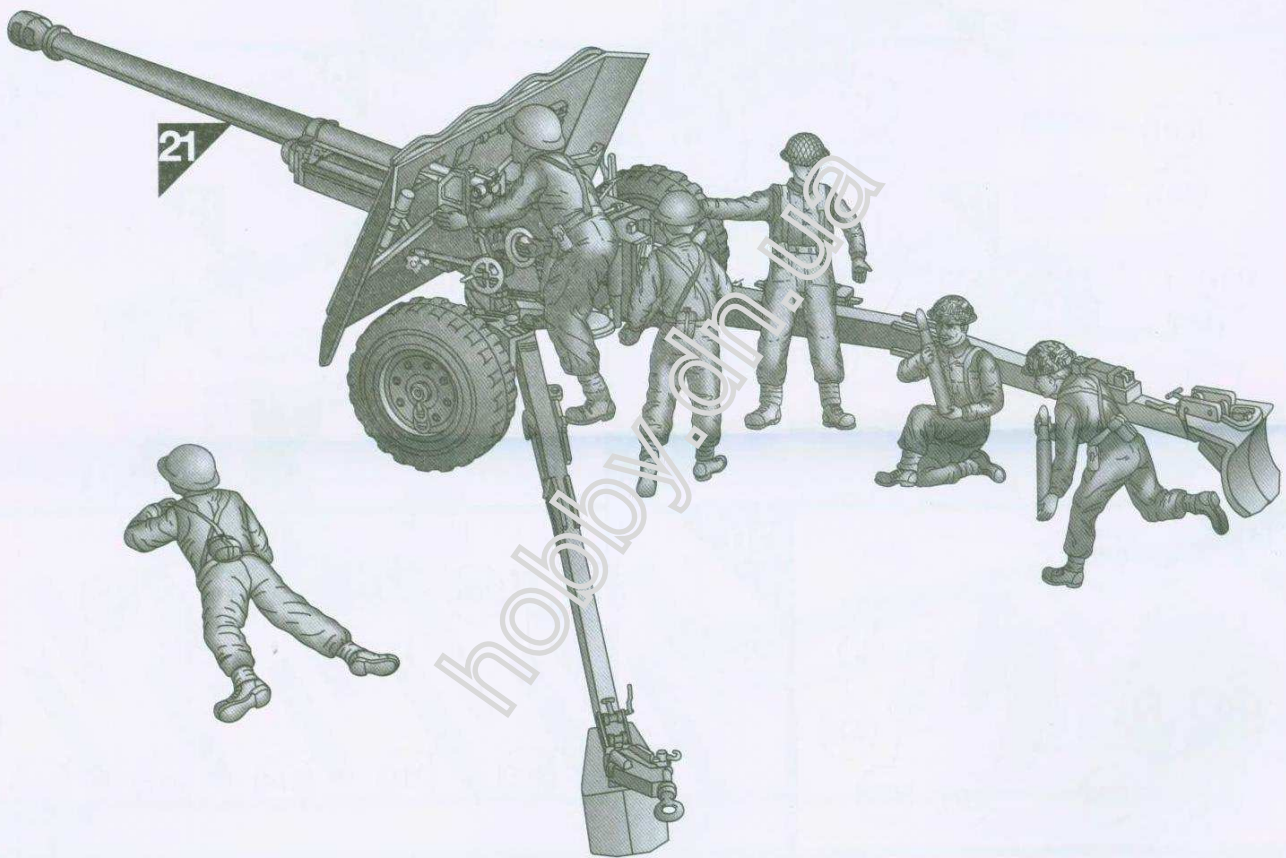
8

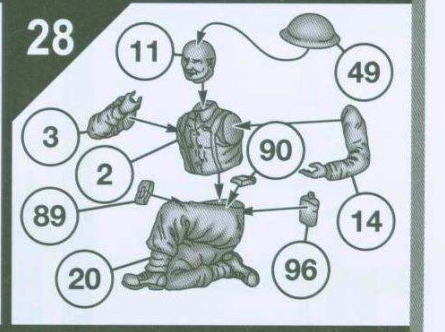
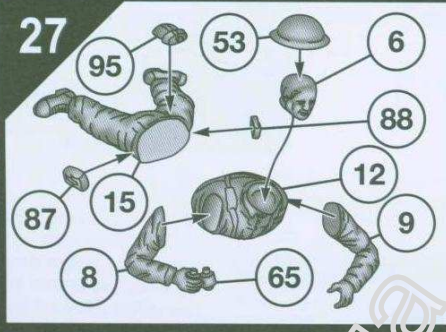
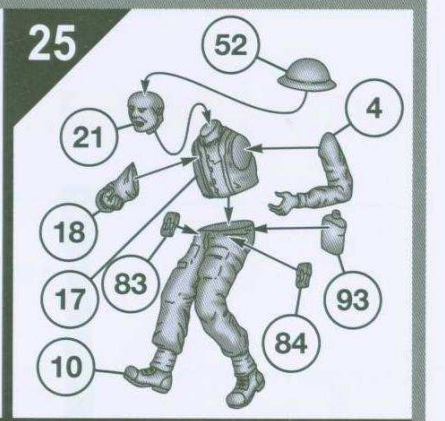
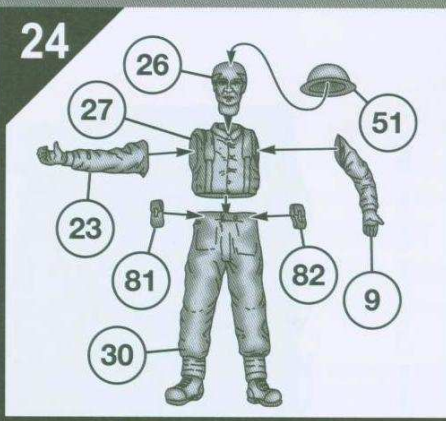
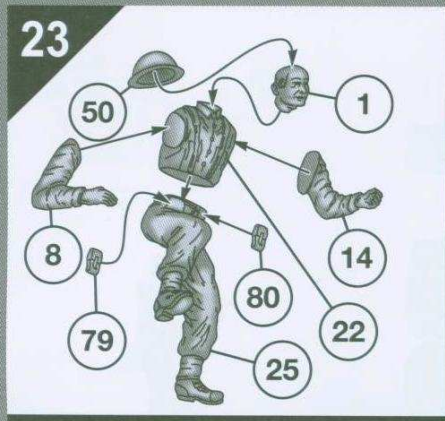




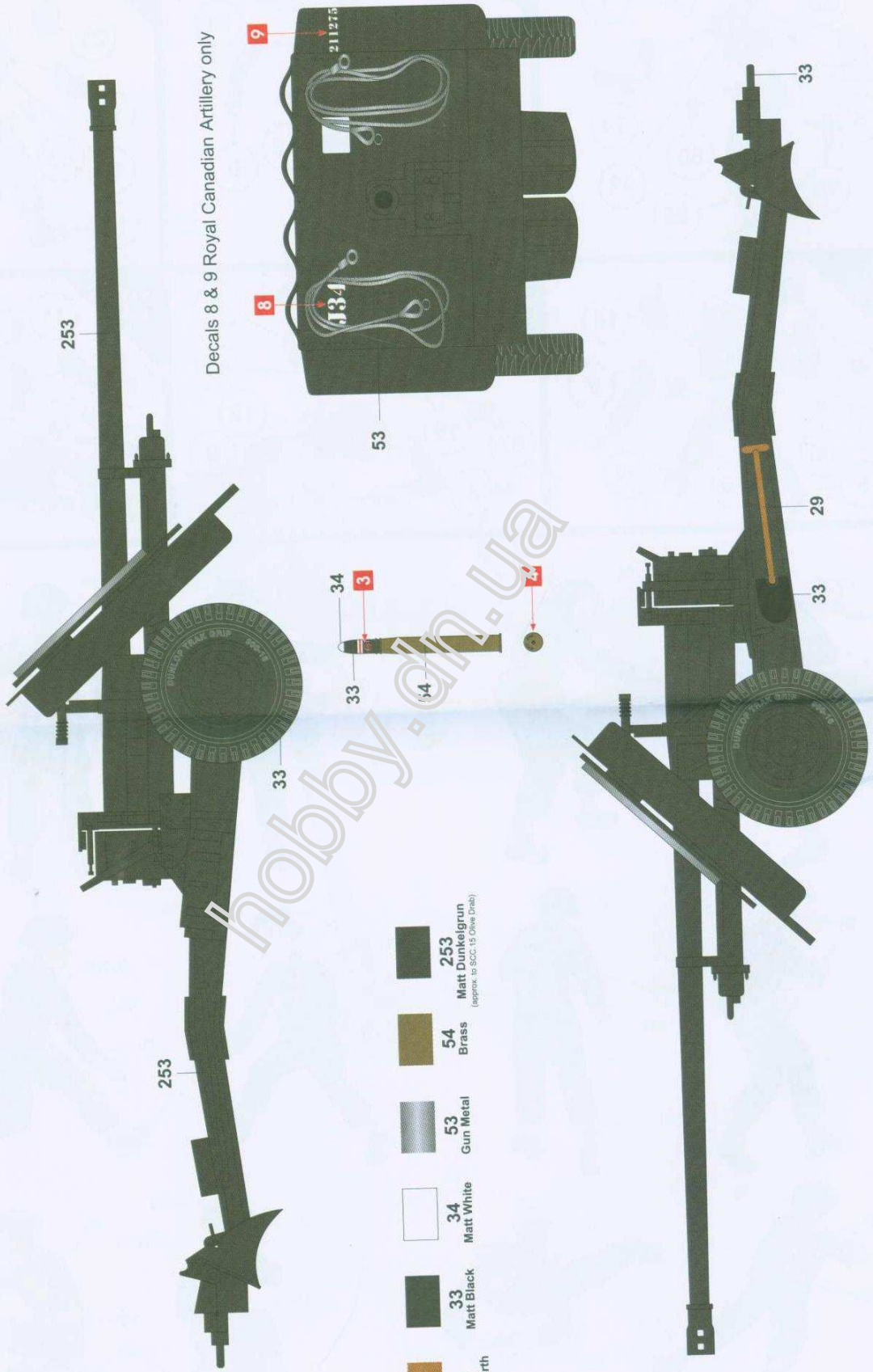


22






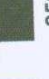




**Ordnance Quick-Firing 17-pounder**  
 21st Anti-Tank Regiment, Guards Armoured Division, Nijmegen Bridge, 21 September 1944.  
 & 2nd Anti-tank Regiment, Royal Canadian Artillery, Antwerp, Belgium, 1944.



Decals 8 & 9 Royal Canadian Artillery only

-  **29** Matt Dark Earth
-  **33** Matt Black
-  **34** Matt White
-  **53** Gun Metal
-  **54** Brass
-  **253** Matt Dunkelgrun  
(approx. to RCC-15 Olive Drab)