

Messerschmitt BF.109 B-2 Luftwaffe service

The Messerschmitt Bf 109's versatility and time in service with both the German Luftwaffe and other foreign air forces, numerous variants were produced over the eight years of service with the Luftwaffe and even more were produced by its foreign service.

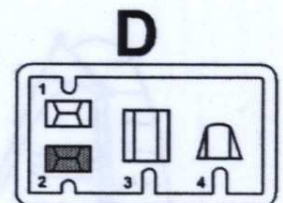
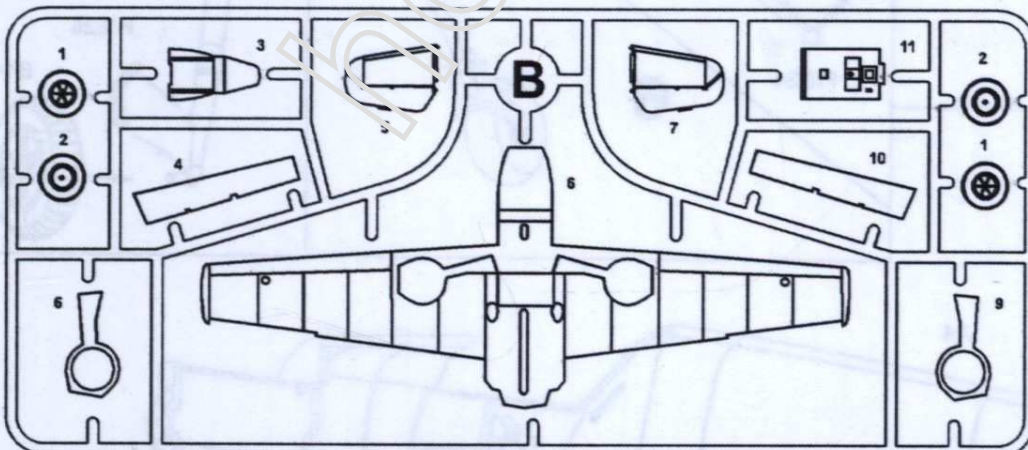
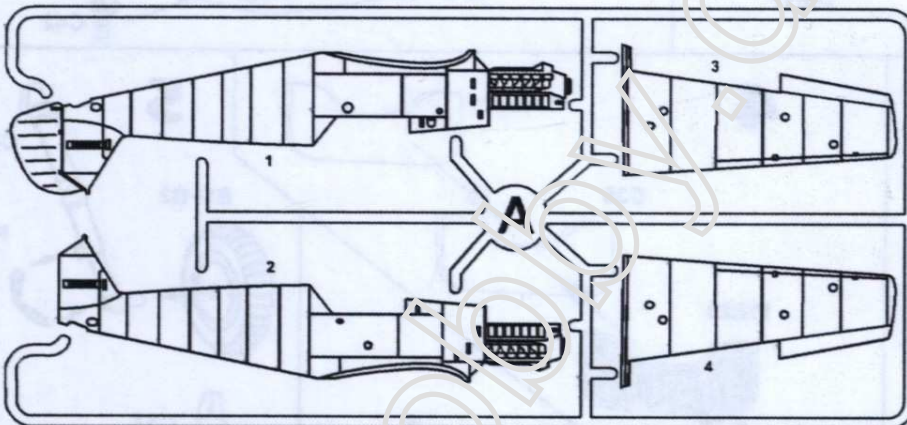
The Bf 109B entered production during the Autumn of 1936. By then BFW had been reorganized into the Messerschmitt A.G., and the first operational variant entered service in April 1937. It was planned that the type should enter service with the 2/132 "RICHTHOFEN" in Germany.

Production model Bf 109B began to appear in Spain. The Bf 109B scored its first combat victory in 06.04.1937, when Oblt G.Lutzov shot down an I - 15.

The Bf 109B was the first version of this famous fighter to enter mass production.

References:

- Messerschmitt Bf 109 A-D models, KAGERO, M.Lukasik
- Messerschmitt Bf 109, WARPAIN Special N 2 ,
- Bf 109 part 1, SAM Datafile N 09,
- Me 109 A bis Me 109 E, Aviatic Verlag, 1997,
- Messerschmitt Me-109, W.Ridinger & W Schick,
- Cockpits DSeutscher Flugzeuge 1911-70, P.W. Cohauz,
- Luftwaffe Camouflage and Markings 1933-1945 vol.1, K.A. Merrick,
- Luftwaffe Colours 1935-1945, Mikoku Publ., M.Ullmann,
- Luftwaffe Colours vol.1, ser.1 JAGDWAFFE, E.Mombeck,
- Flugzeug Classic Extra MESSERSCHMITT Bf 109 teil 1 ,
- Flugzeug Classic 1/20075
- Aero Journal N 18



THE CONDITIONAL DENOTATION

УСЛОВНЫЕ ОБОЗНАЧЕНИЯ


BE CAREFUL
ОСТОРОЖНО

DON'T CEMENT
НЕ КЛЕИТЬ

REMOVE
РЕЗАТЬ

SYMMETRICAL
СИММЕТРИЧНО

MAKE TWO
УДВОИТЬ

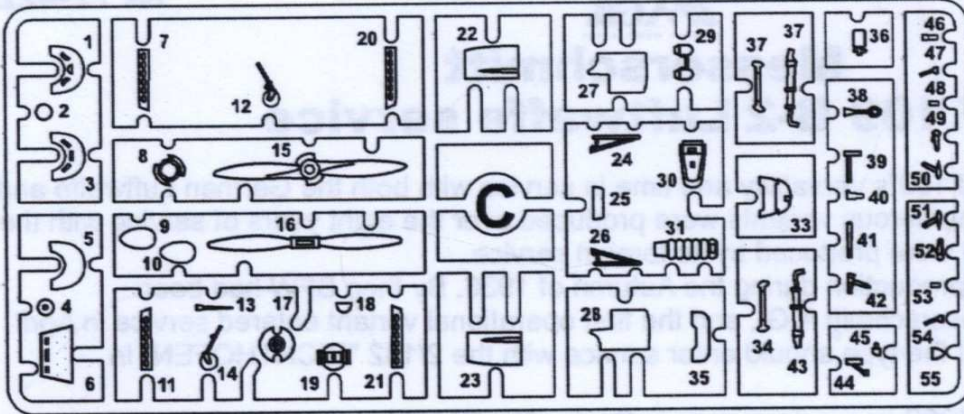
OPTIONAL
НЕОБЯЗАТЕЛЬНО

BEND
СОГНУТЬ

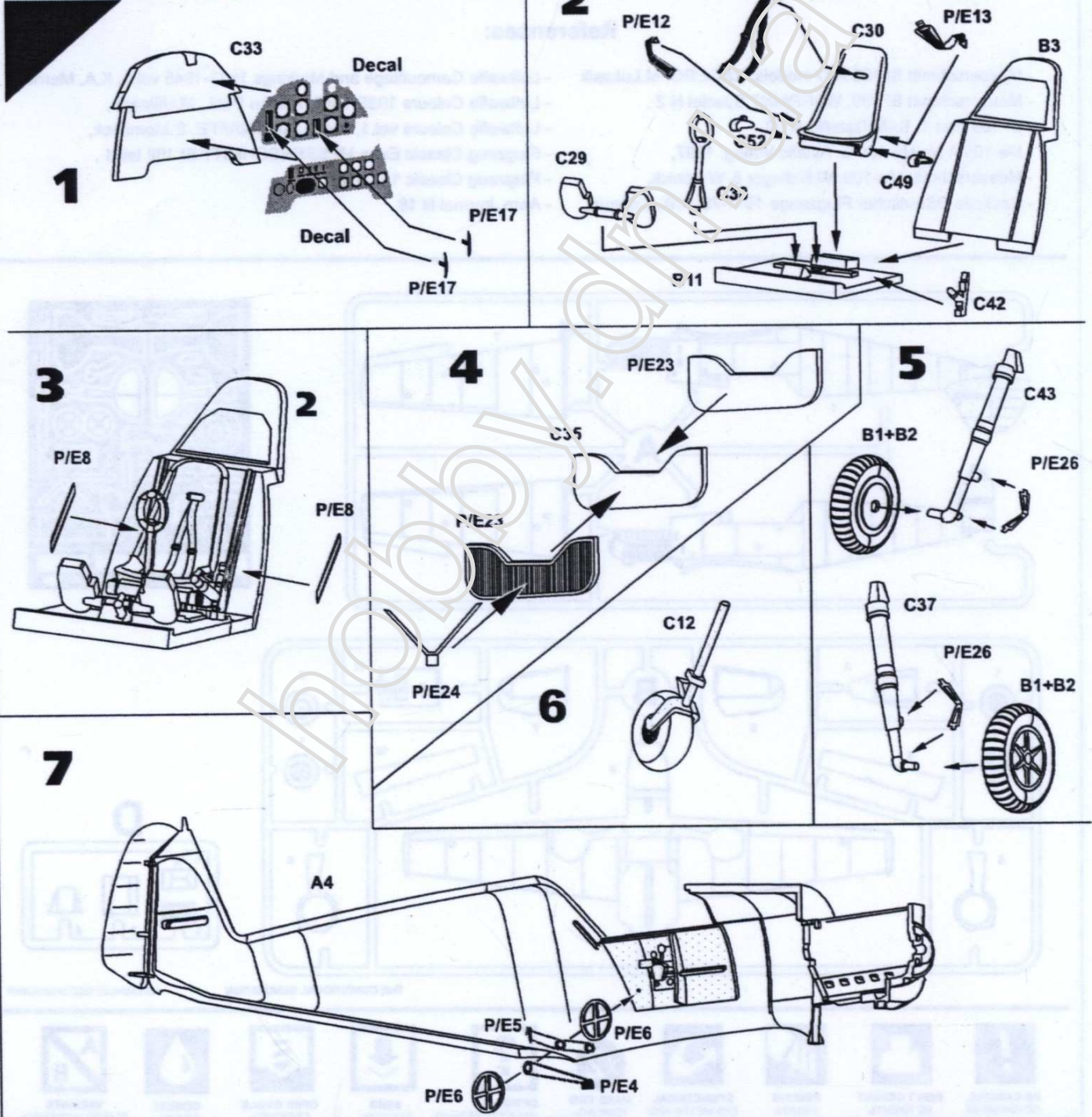
OPEN WHOLE
СВЕРЛИТЬ

CEMENT
КЛЕИТЬ

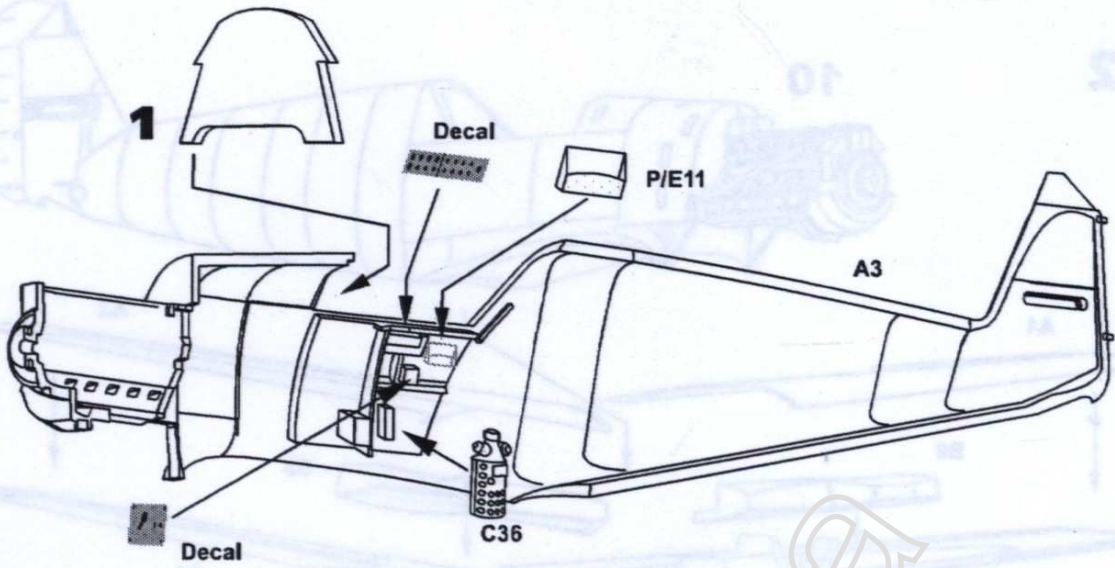
VARIANTS
ВЫБОР ВАРИАНТА



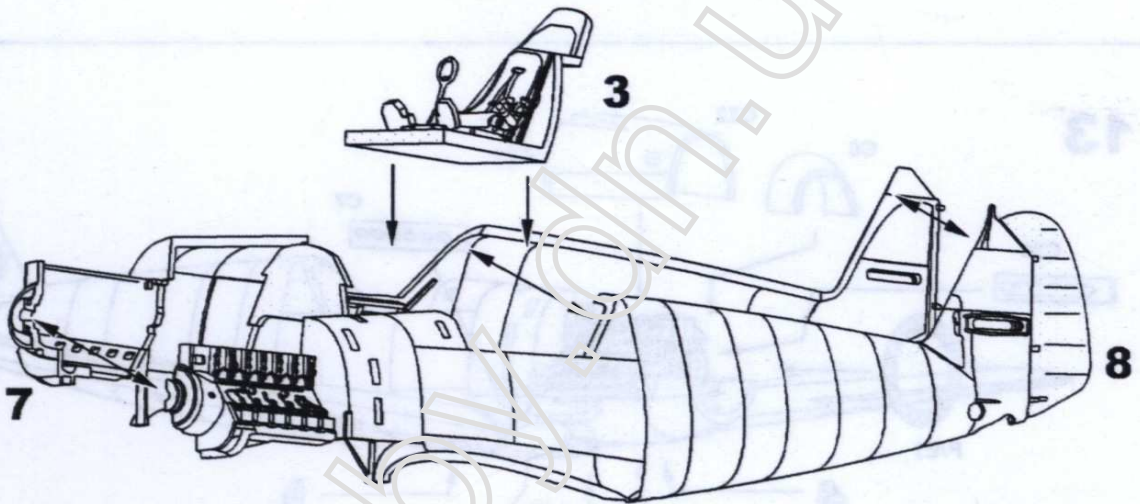
ASSEMBLY MANUAL



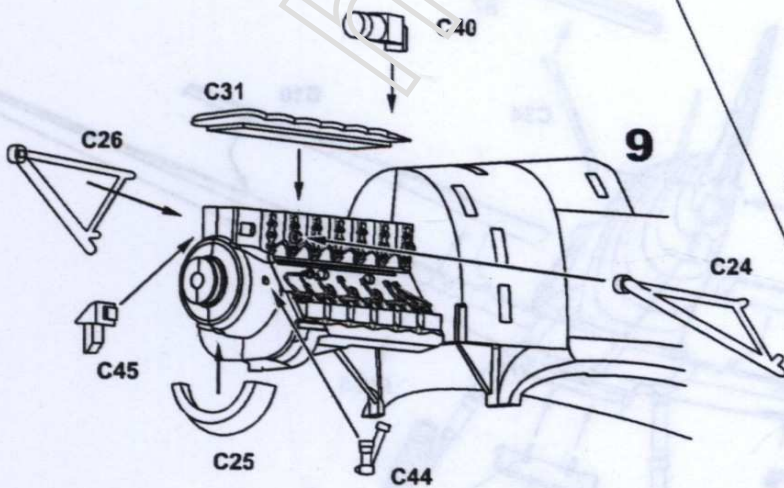
8



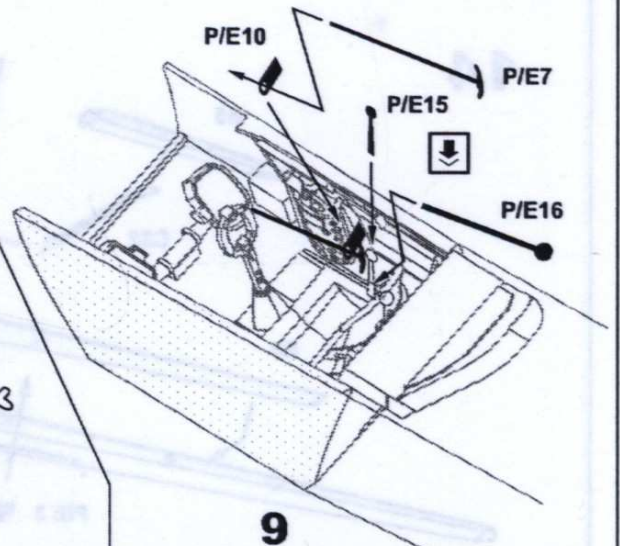
9



10

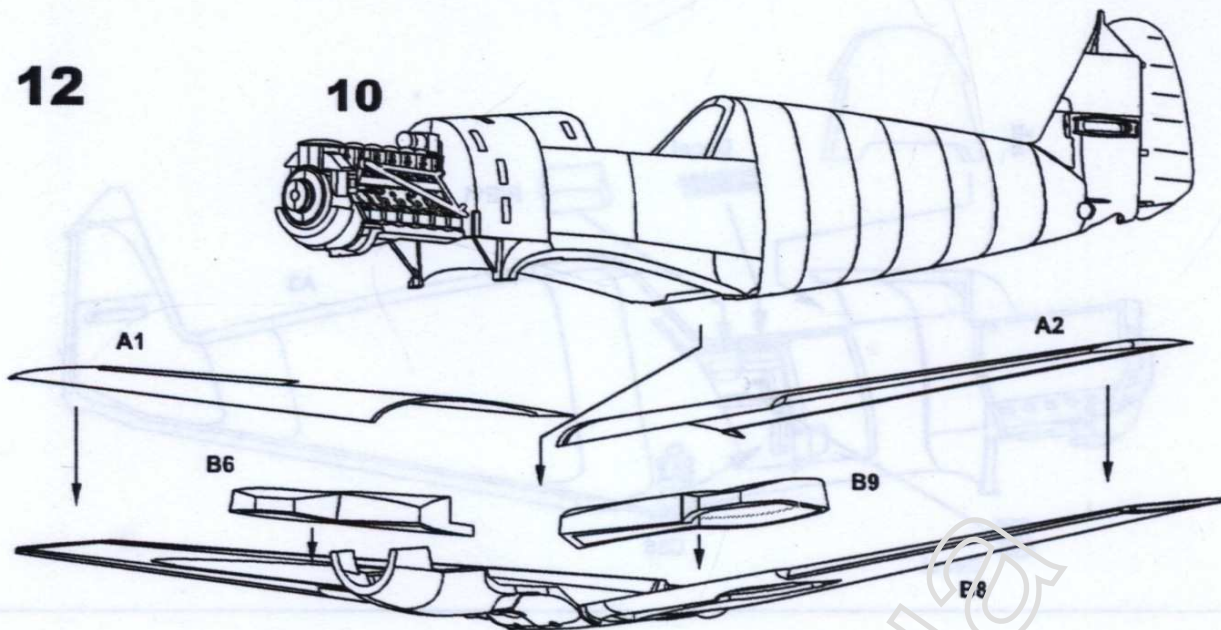


11

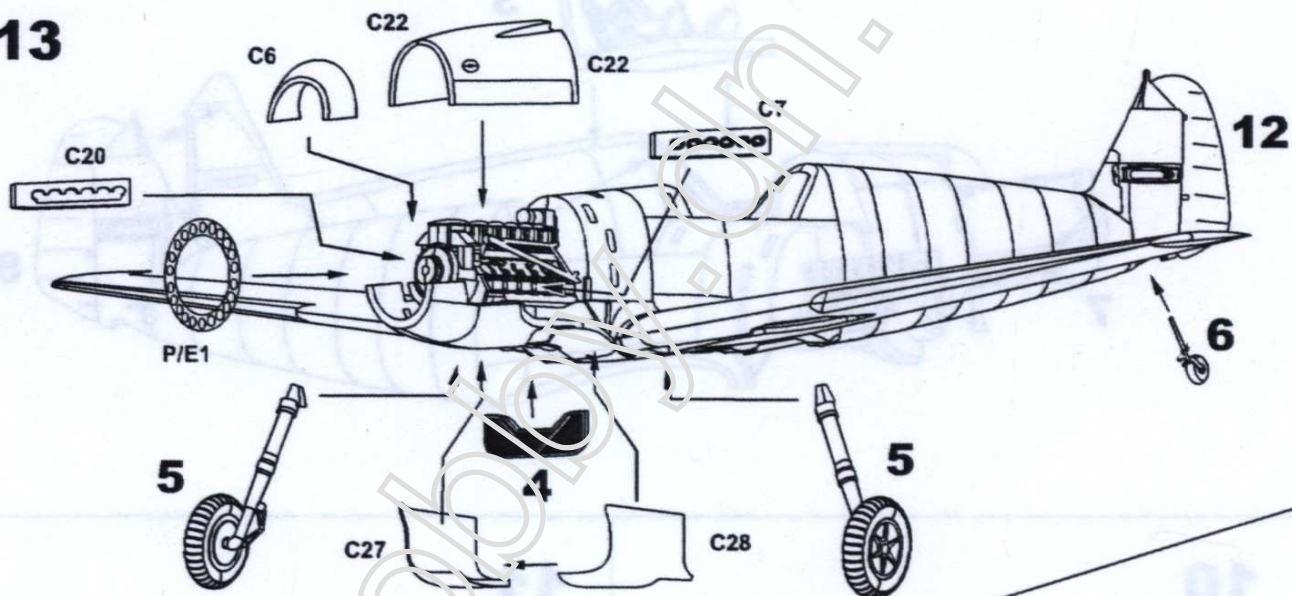


12

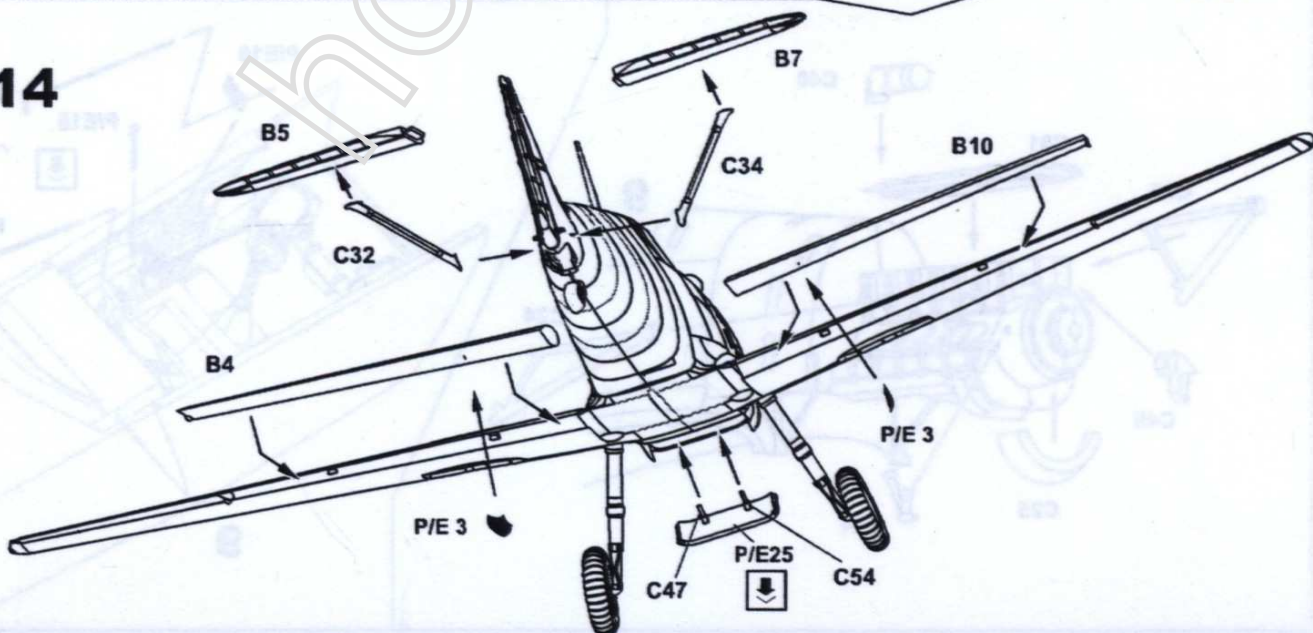
10



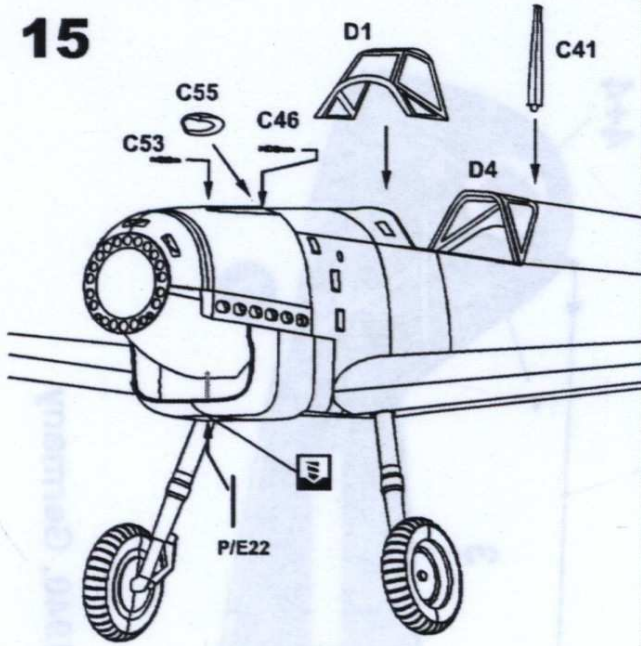
13



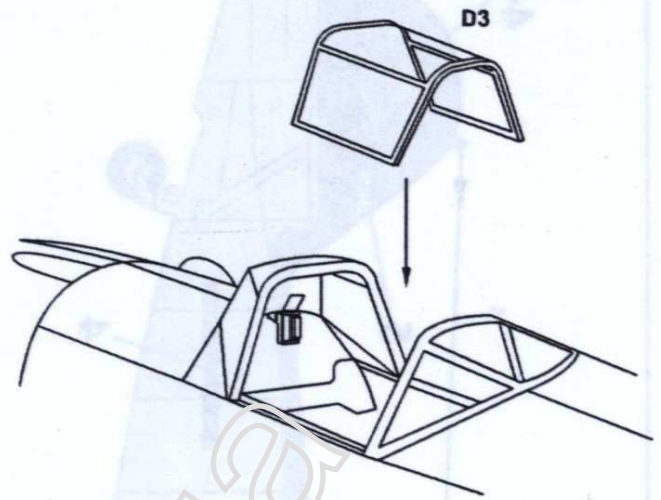
14



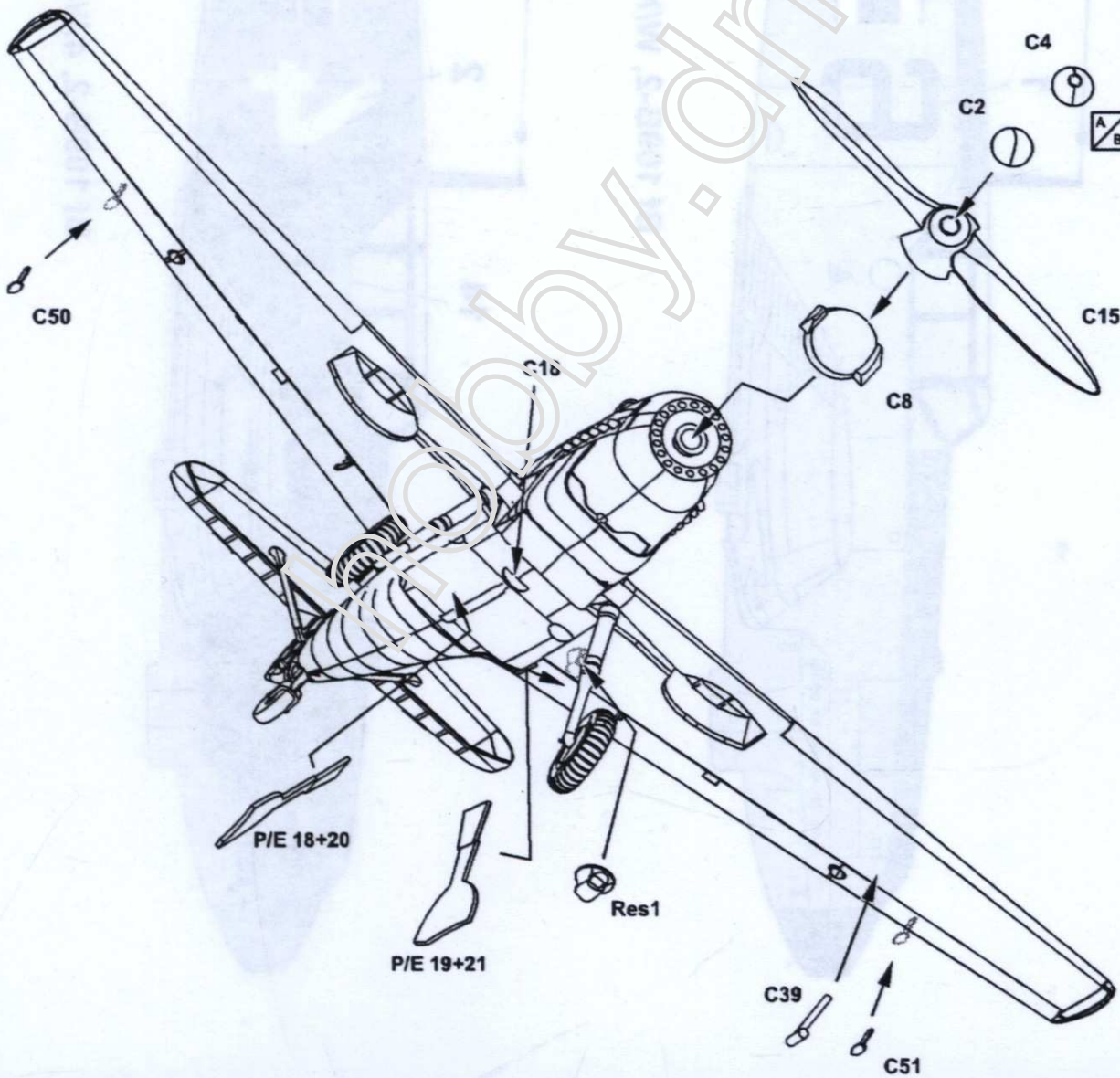
15

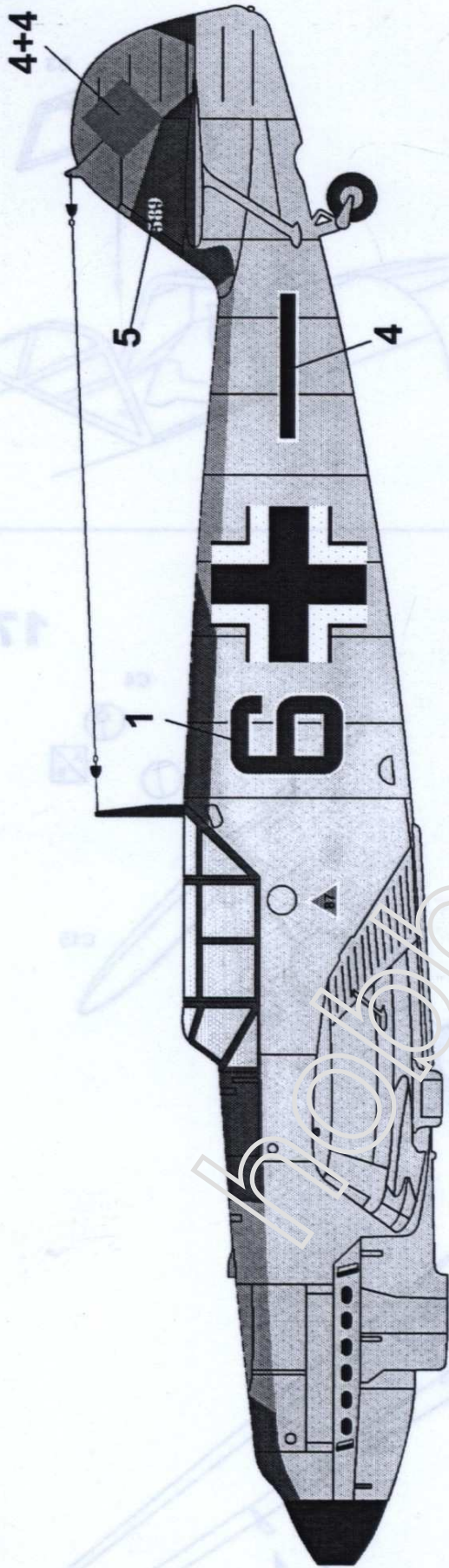


16

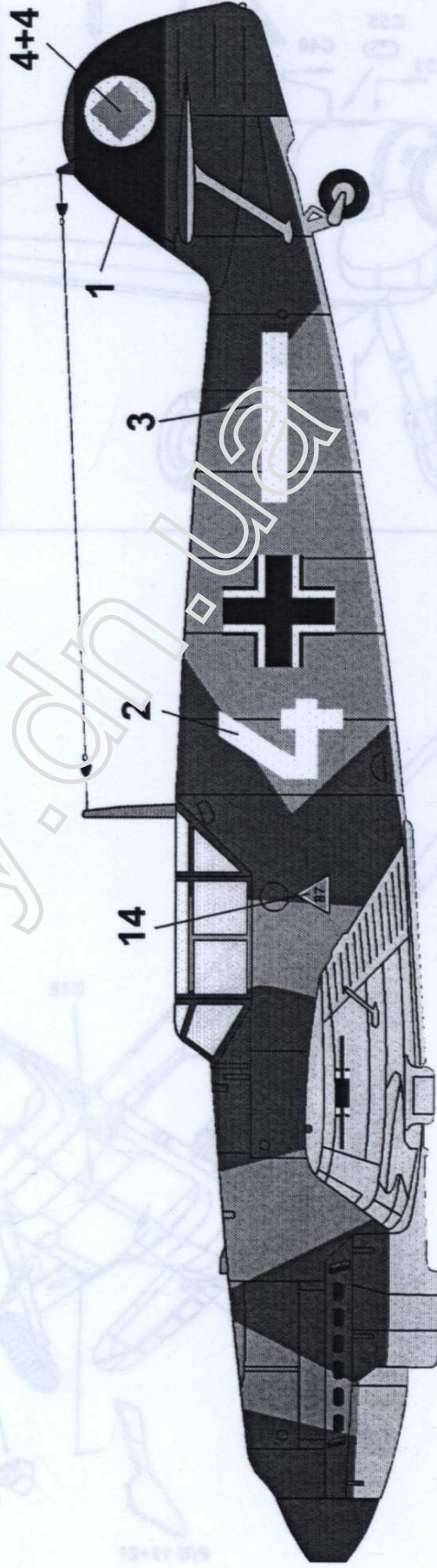


17



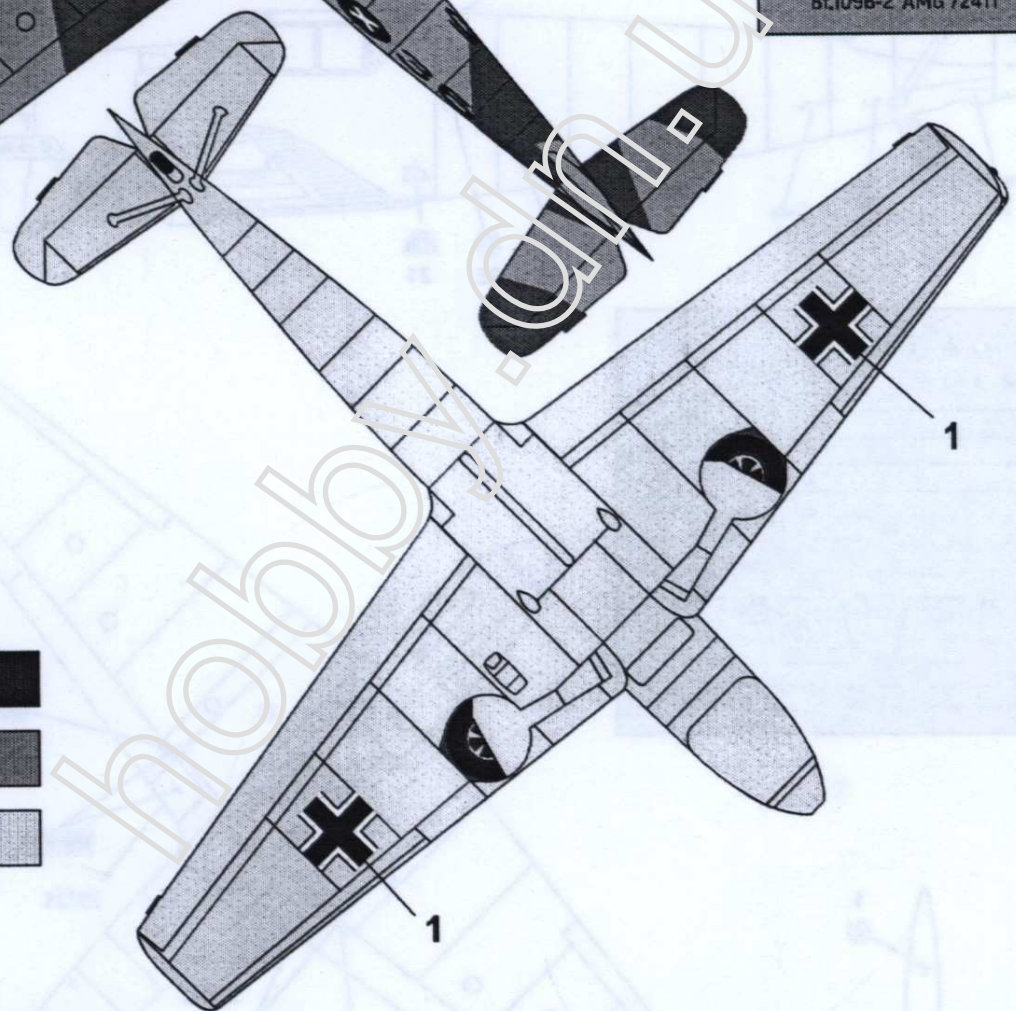
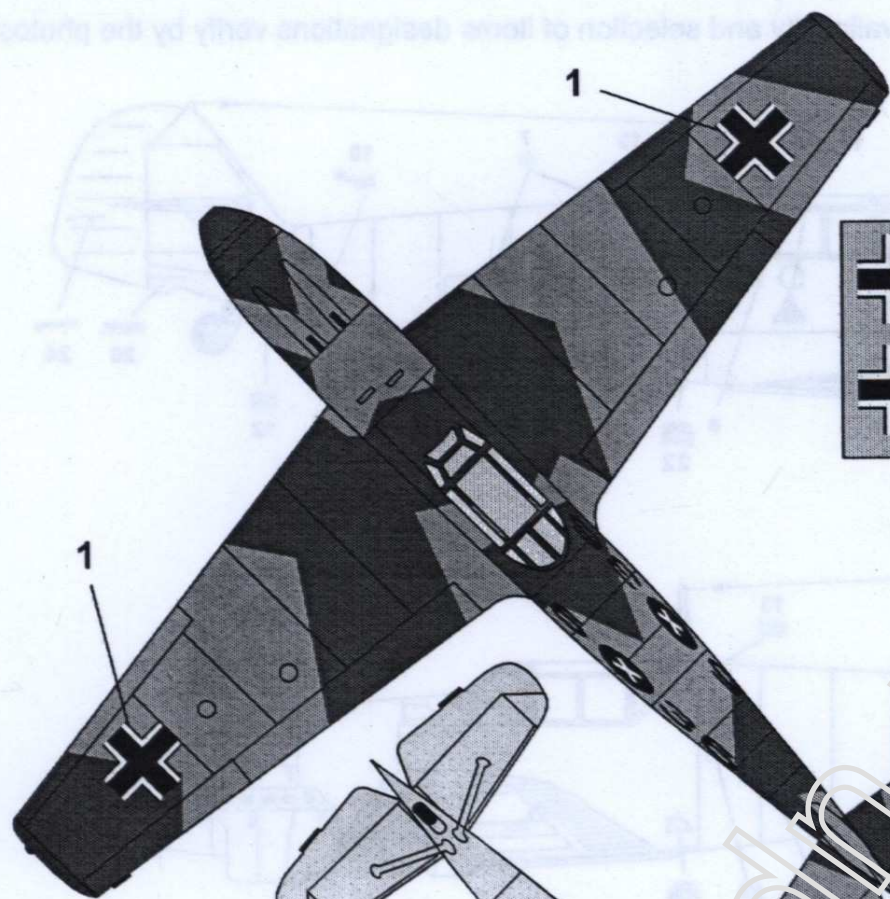
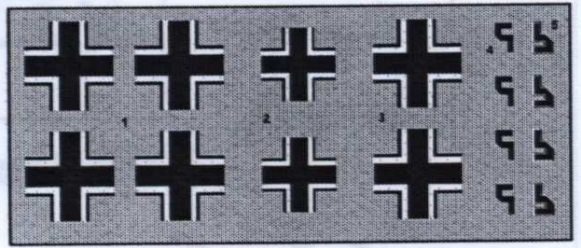
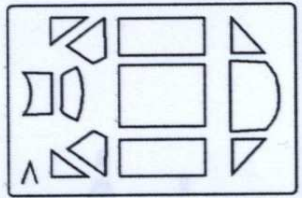





Bf 109B-2, W/Nr. 589, 5./JG 334, Oct.1938, Germany

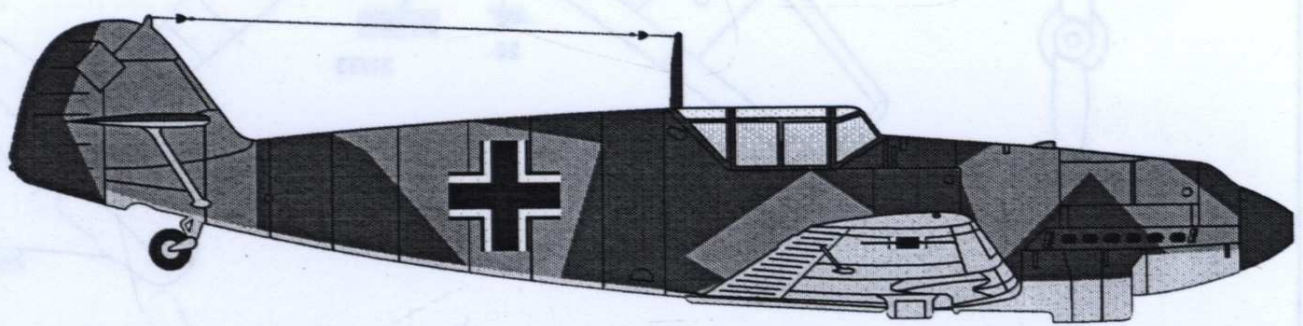


Bf 109B-2, 4.II/JG 133, 1940, Germany

Availability and selection of laser designations vary by the photo.



- RLM 70 
- RLM 71 
- RLM 62 



Availability and selection of items designations verify by the photos!

