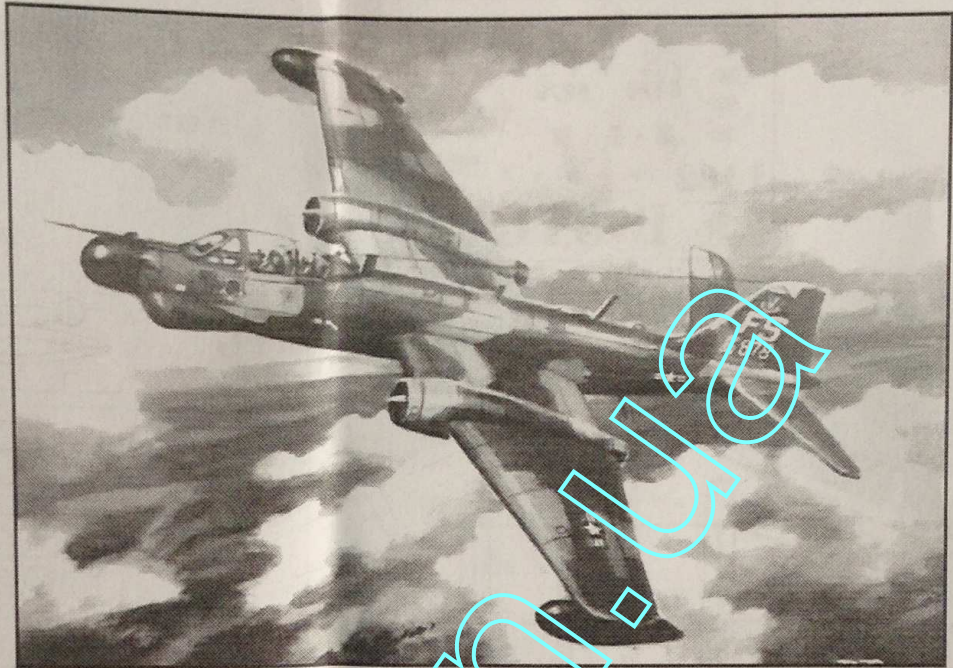



PLASTIC MODEL KITS  
LIMITED EDITION  
CAT.NO.1482



SPAN : 137 mm  
LENGTH : 152 mm  
PARTS : 57 pieces  
**SCALE:1/144**

 In April 1951, the Martin Company (USA) contracted the Canberra bomber licensing production agreement. The first serial B-57A (Night Intruder) made its first flight on July 20, 1953. Next version, the B-57B, differed with changed nose section and lethal armament. The bomber was armored with eight 12.7 caliber machine guns. It was possible to hang on the weapon pylons additional external bombs, fuel tanks and free flight rockets. This variant became the most popular modification of American Canberra. Next variant was the B-57C (TB-57C) training aircraft produced in small quantities. B-57G variant with new armament and laser designator in the nose. Between 1970 and 1971, 16 aircraft were converted.

The model is executed on technology short run and is intended only for experienced modelers

Word-wide distributor for AMODEL kits: IBG, Warsawa, Poland  
Fax: (4822)842-56-29; E-Mail: [ibgsc@ibg.com.pl](mailto:ibgsc@ibg.com.pl)



## USED SYMBOLS

**1**

STAGES OF ASSEMBLY

**1**

NUMBER PARTS

**1**

APPLY DECALS

**A**

TO PAINT



GLUE



DON'T GLUE

**?**

OPTIONAL



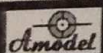
MAKE A HOLE



DETACH WITH KNIFE

**2X**

QUANTITY OF OPERATIONS(PARTS)



## USED PAINTS

**A**

HUMBROL 85  
COAL BLACK

**B**

HUMBROL 11  
SILVER

**C**

HUMBROL 182  
BLACK GREY

**D**

HUMBROL 53  
GUNMETAL

**E**

HUMBROL 145  
MEDIUM GREY

**F**

HUMBROL 116  
US DARK GREEN

**G**

HUMBROL 117  
US LIGHT GREEN

**H**

HUMBROL 118  
US TAN

**J**

HUMBROL 130  
WHITE



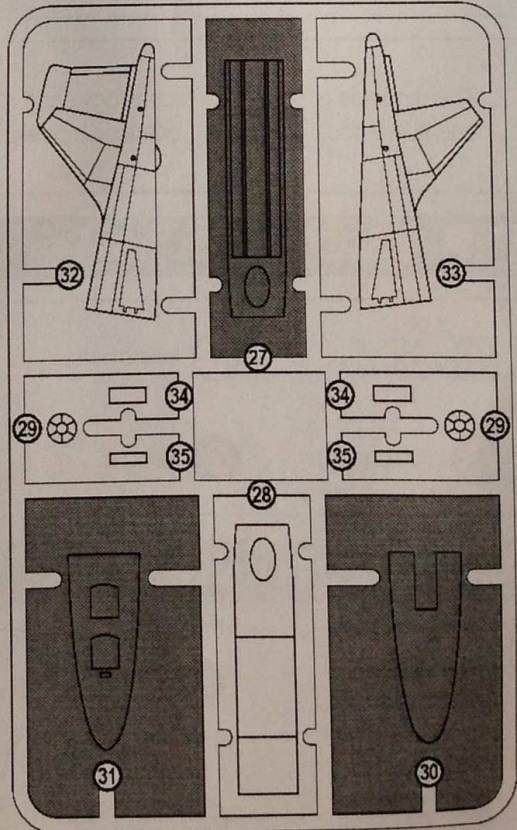
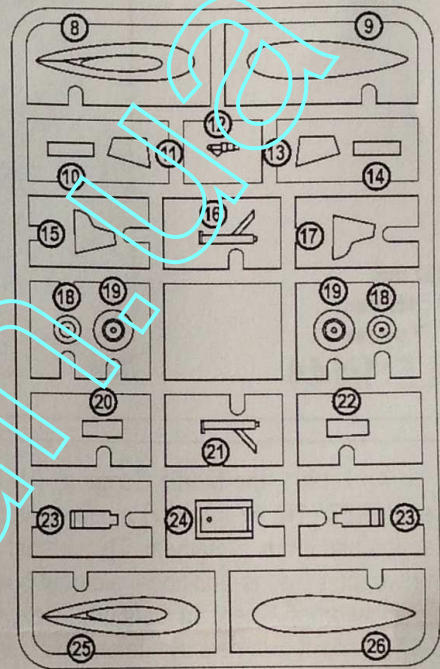
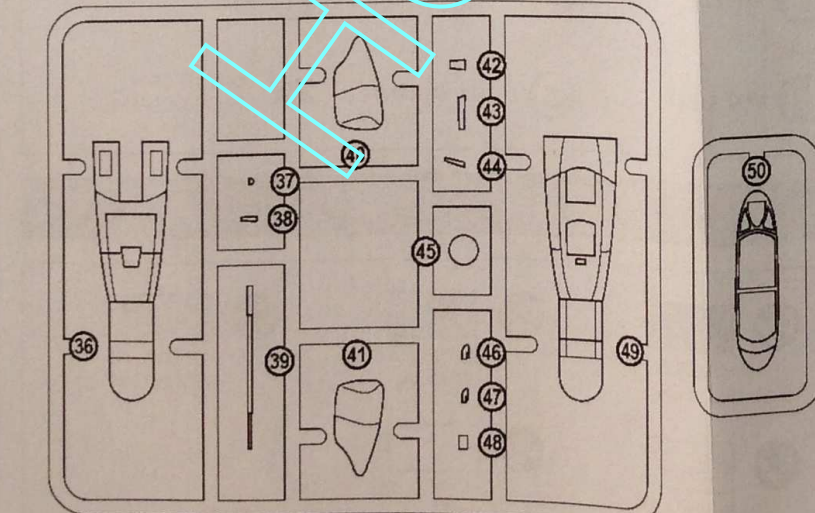
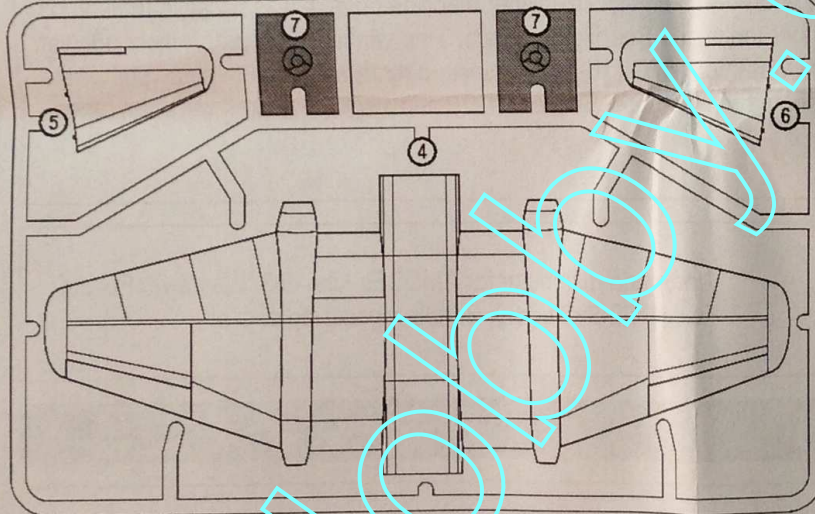
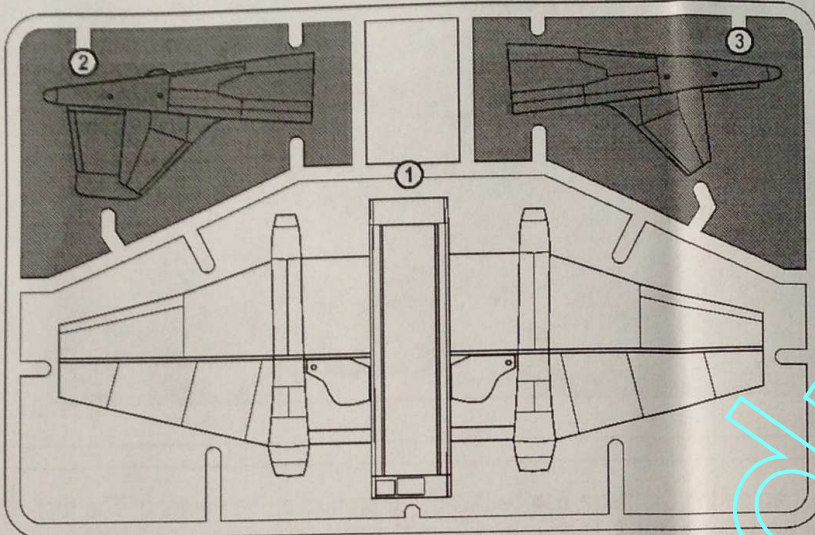
# COMPLETE SET

**1482**
  
**B-57G**

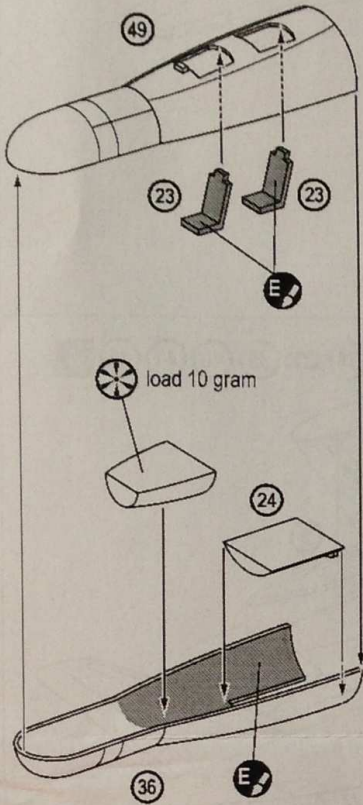
DECALS FOR ONE VERSION OF COLOURING

57 DETAILS FOR ASSEMBLY OF ONE MODEL

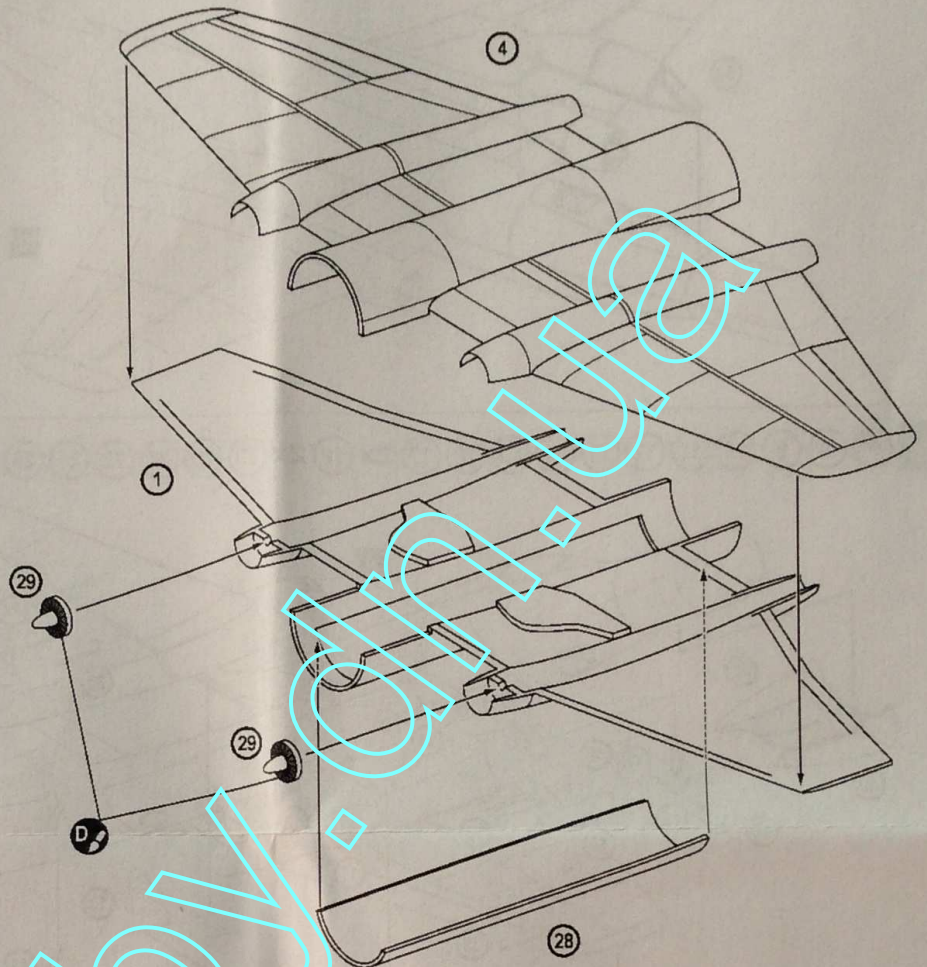
PARTS NOT FOR USE



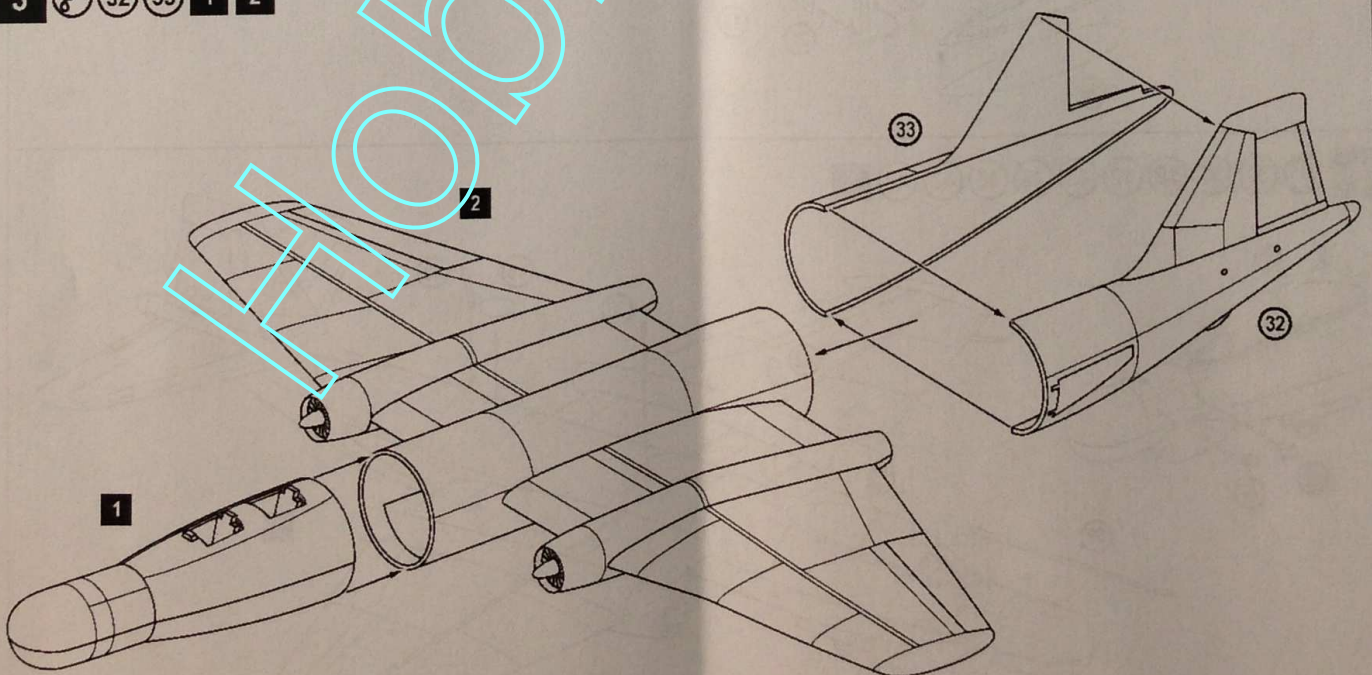
**1** 2x 23 24 36 49



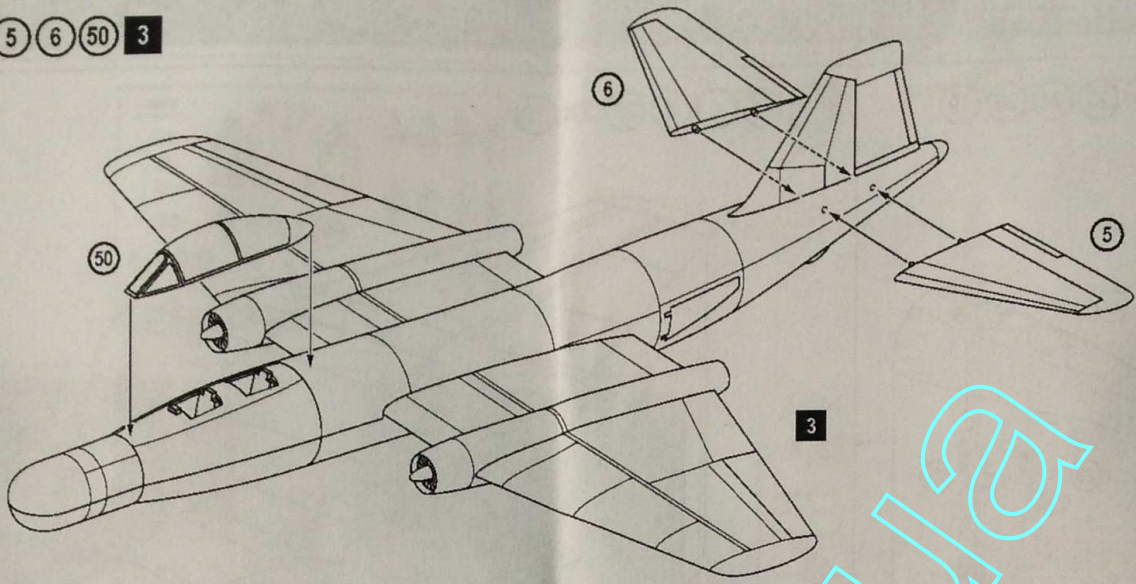
**2** 1 4 28 2x 29



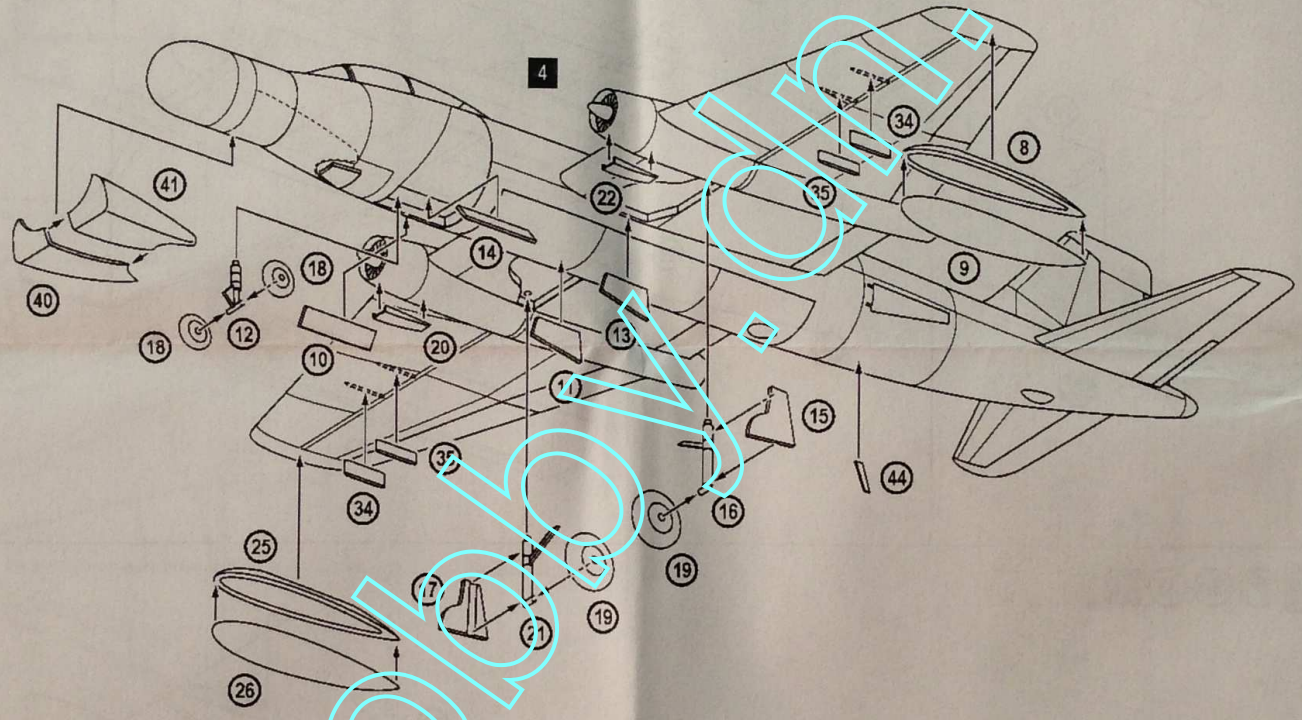
**3** 32 33 1 2



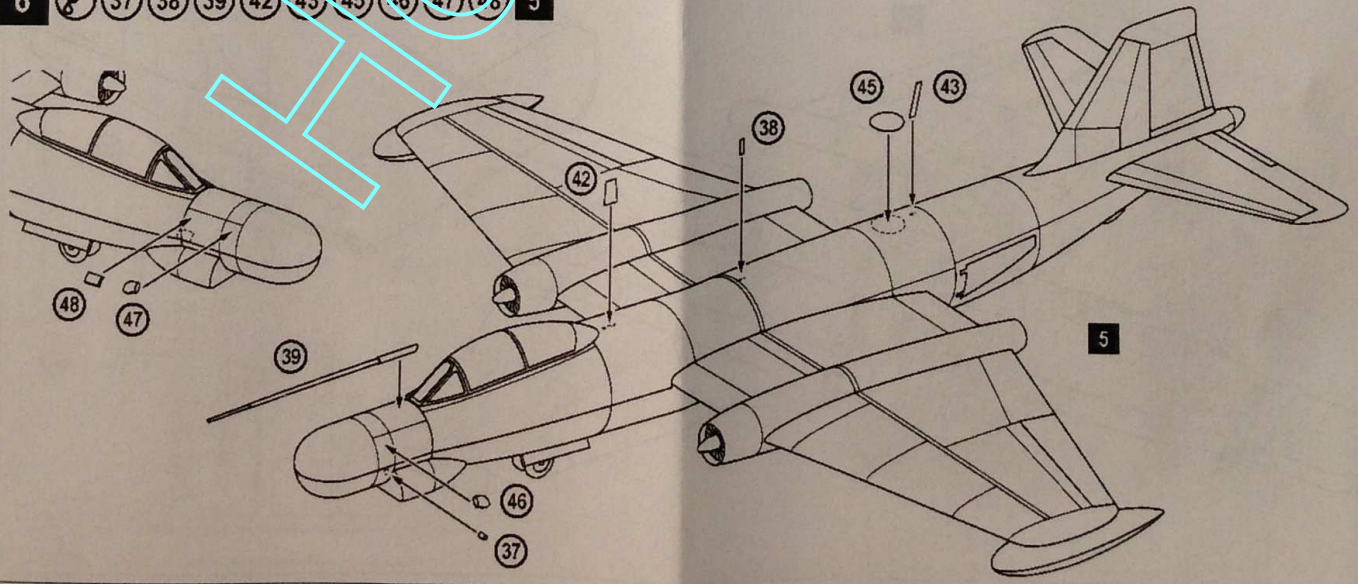
4 5 6 50 3



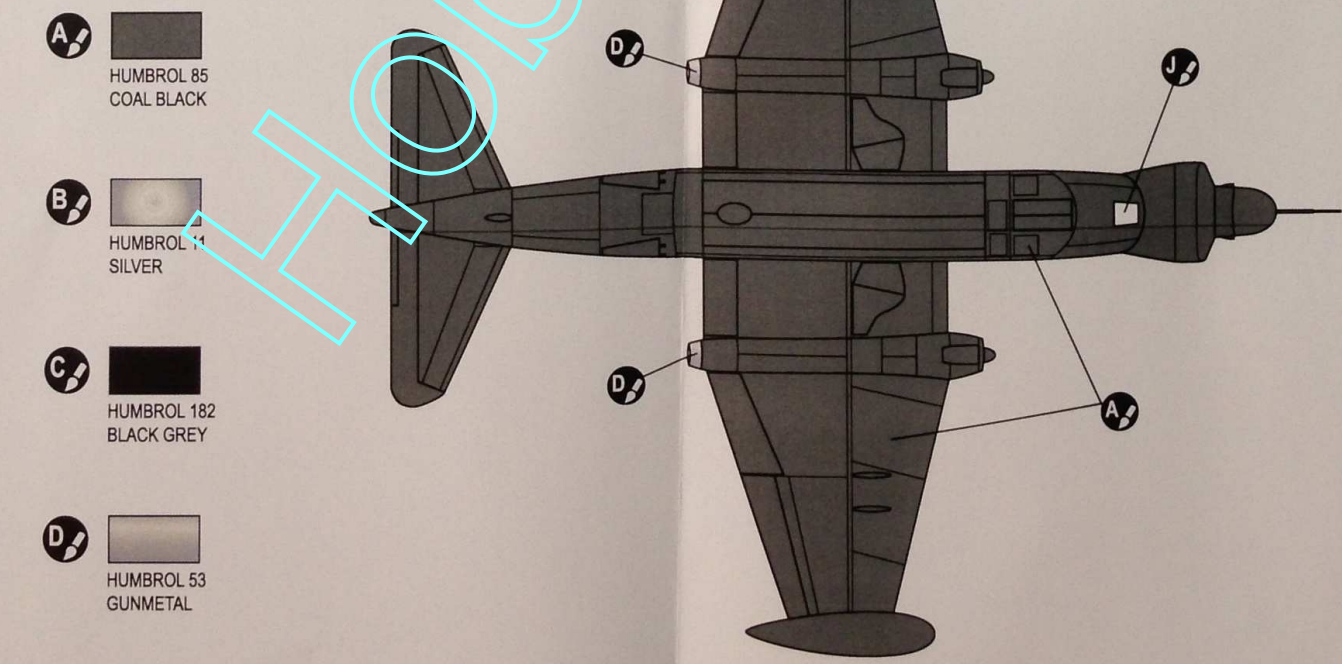
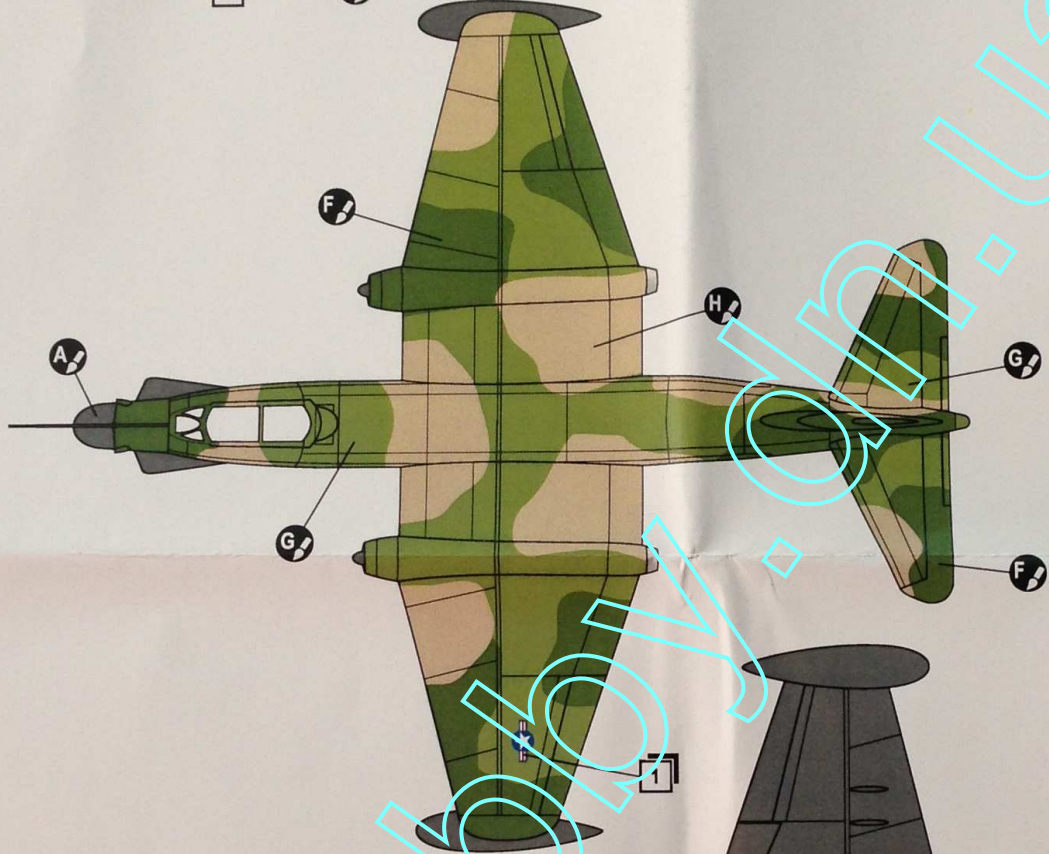
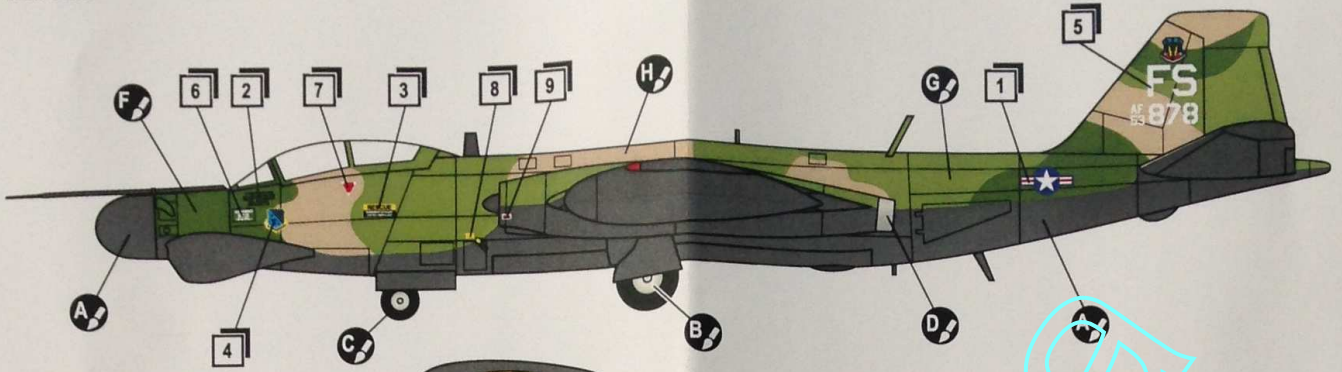
5 8 9 10 11 12 13 14 15 16 17 2x 18 2x 19 20 21 22 25 26 2x 34 2x 35 40 41 44 4




6 37 38 39 42 43 45 46 47 48 5

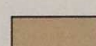


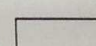
Martin B-57G

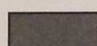


**F**   
HUMBROL 116  
US DARK GREEN

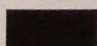
**G**   
HUMBROL 117  
US LIGHT GREEN

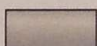
**H**   
HUMBROL 118  
US TAN

**J**   
HUMBROL 130  
WHITE

**A**   
HUMBROL 85  
COAL BLACK

**B**   
HUMBROL 14  
SILVER

**C**   
HUMBROL 182  
BLACK GREY

**D**   
HUMBROL 53  
GUNMETAL