




IL-76MD

PLASTIC MODEL KITS
LIMITED EDITION
CAT.NO.72042



SPAN : 704 mm
LENGTH : 660 mm
PARTS : 462 pieces
SCALE:1/72


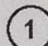









 Military-transport aircraft IL-76 was built in Iliushin Experimental Design Bureau in 1971. The chief designer of the aircraft is R.P. Papkovsky. In 1974 IL-76 went through the series of tests and was adopted for armament. On the basis of military-transport aircraft a lot of various aircraft of special use are built. Several planes were re-equipped into air command units IL-82, the flying hospital IL-76MD "Scalpel-MT" was built. In 1983 for testing the fighting laser and for studying the distribution of rays in the upper layer of the atmosphere, the version A-60 was built. On the basis of IL-76, the fuellers IL-78 and IL-78M were built and well as the aircraft of radio supervision A-50. In total around 950 aircraft IL-76 of all modifications were built, over 100 of which were sent for export.

The model is executed on technology short run and is intended only for experienced modelers

Word-wide distributor for AMODEL kits: IBG, Warszawa, Poland
Fax: (4822)842-56-29; E-Mail: ibgsc@ibg.com.pl



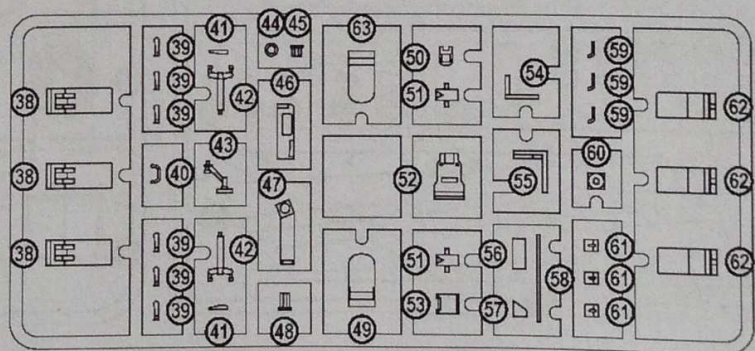
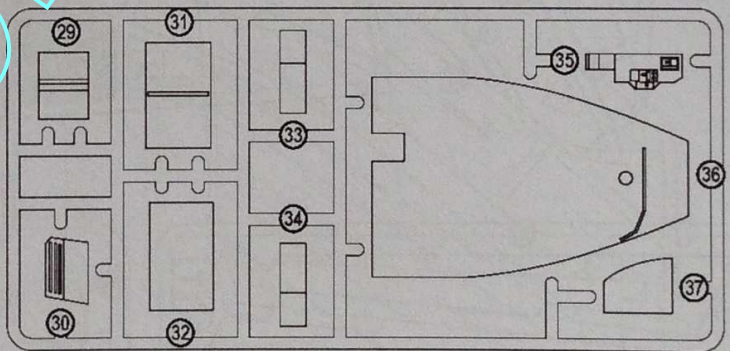
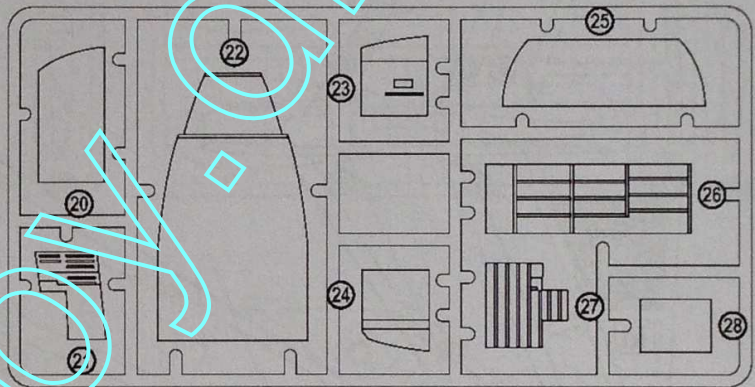
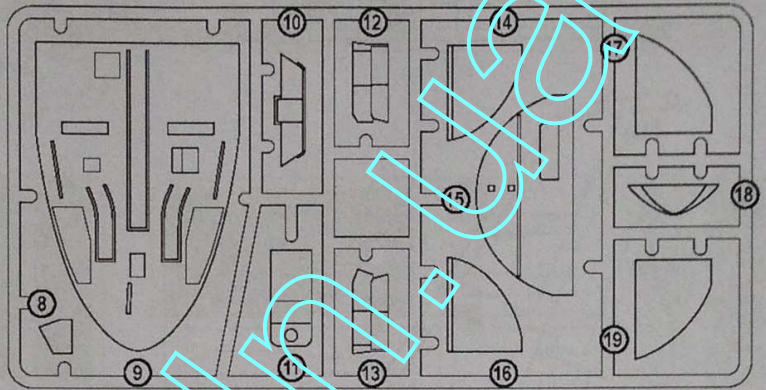
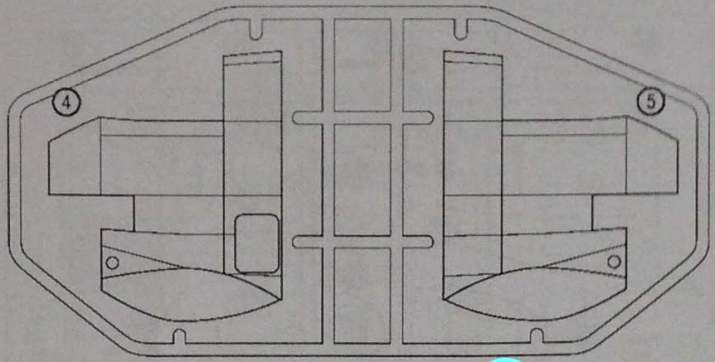
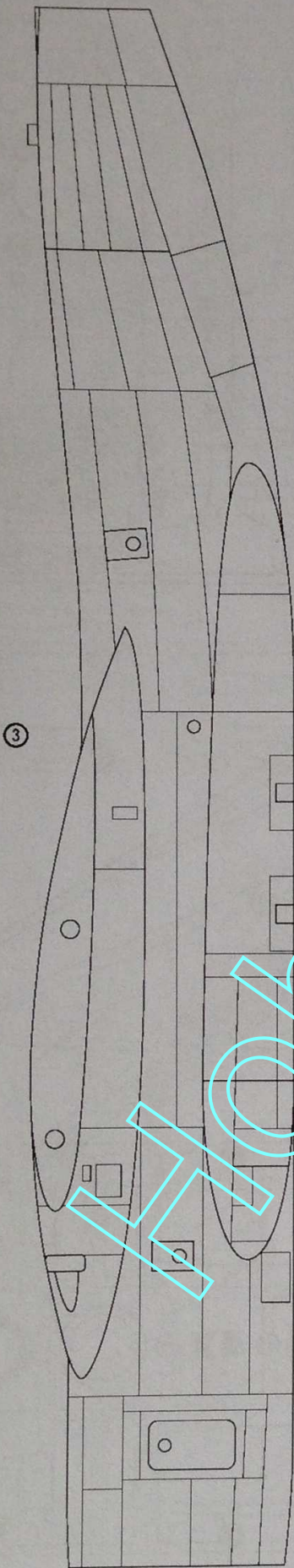
USED SYMBOLS

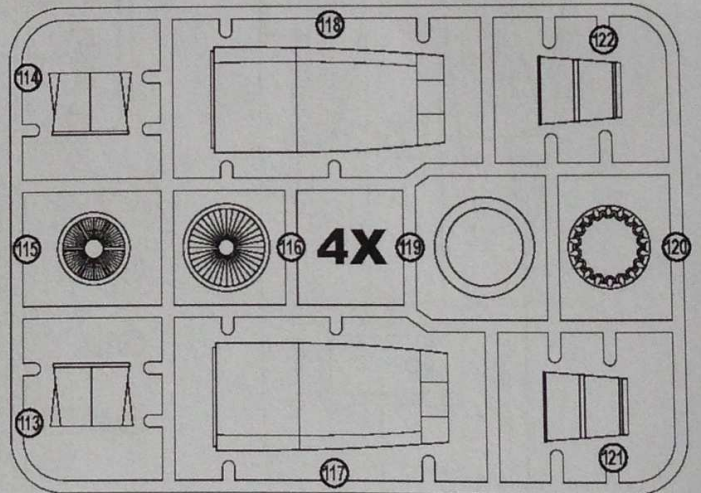
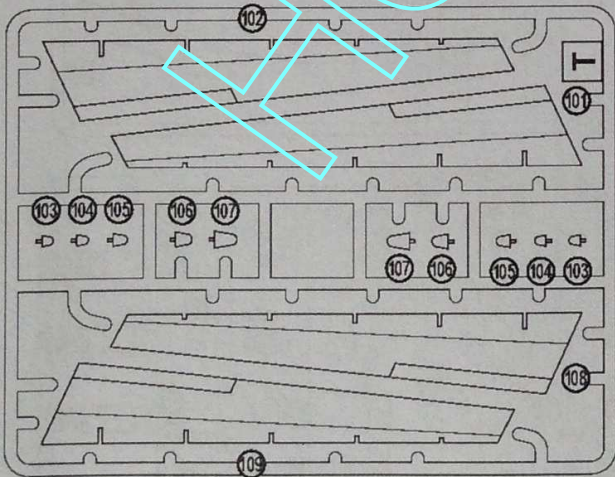
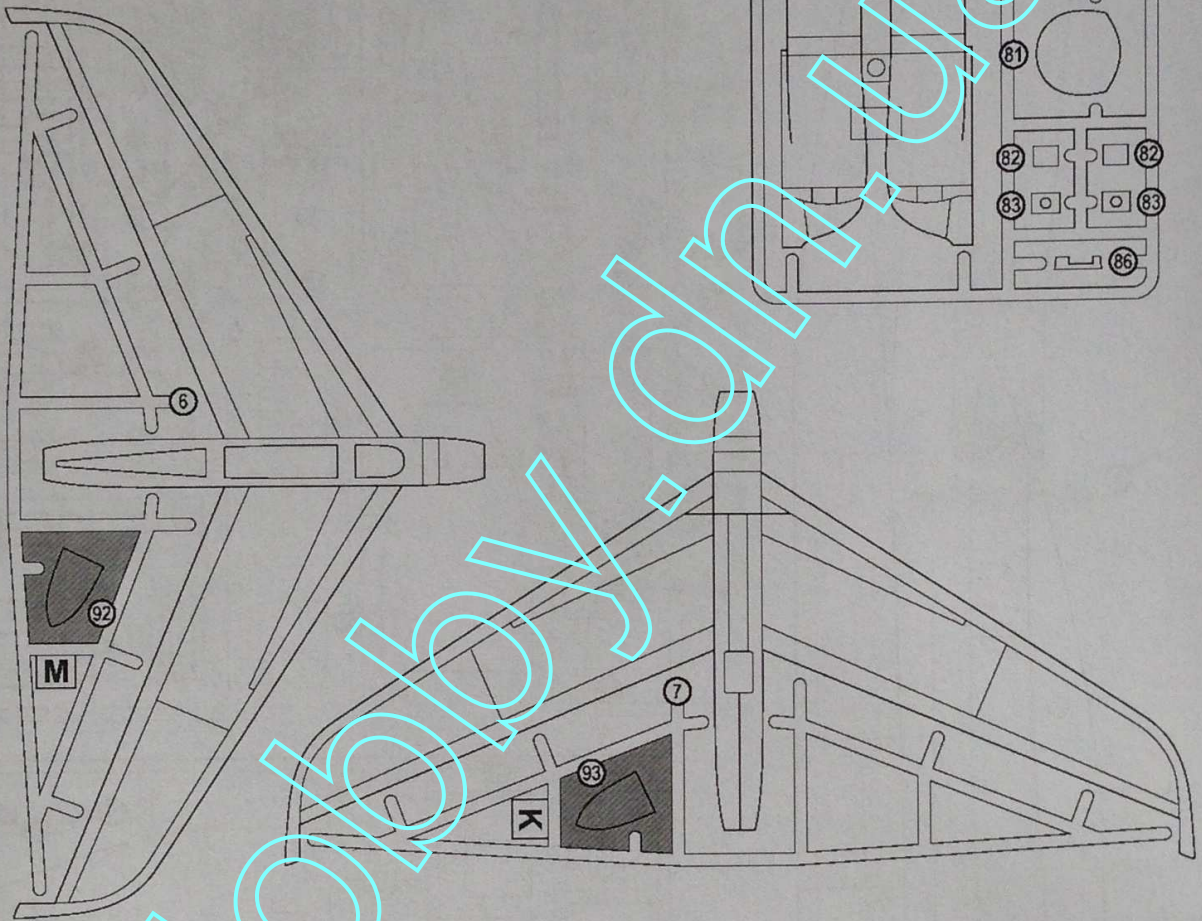
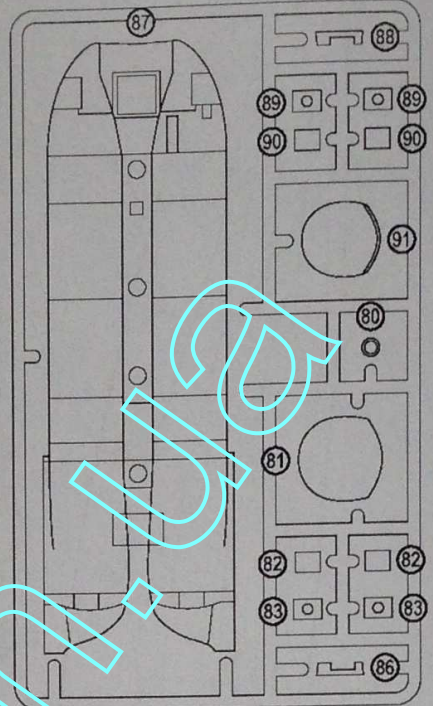
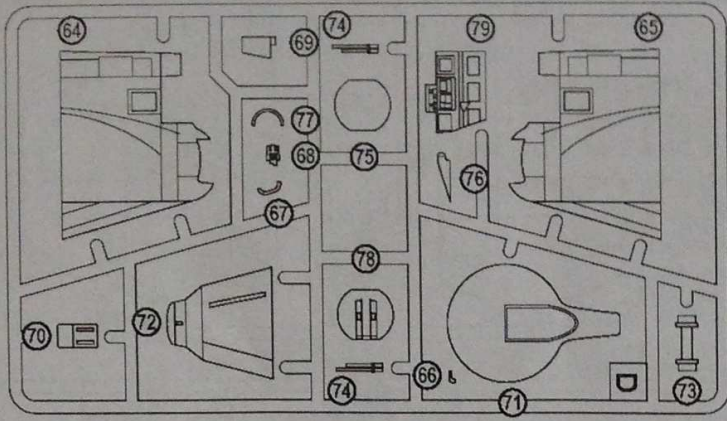
- | | | | | | |
|--|--|--|---|--|---|
|  STAGES OF ASSEMBLY |  NUMBER PARTS |  APPLY DECALS |  TO PAINT |  GLUE |  TO USE SUPERGLUE™ |
|  DON'T GLUE |  OPTIONAL |  MAKE A HOLE |  DETACH WITH KNIFE | 2x QUANTITY OF OPERATIONS(PARTS) |  TO MAKE A DETAIL |



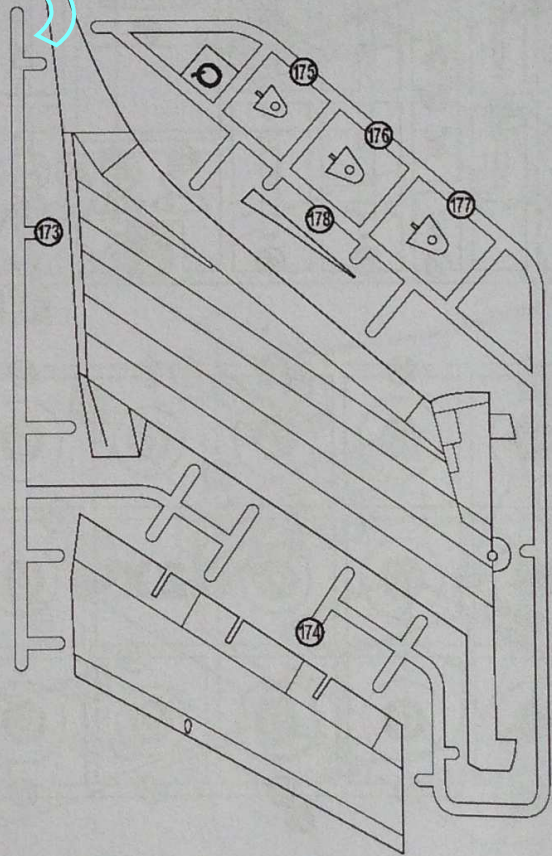
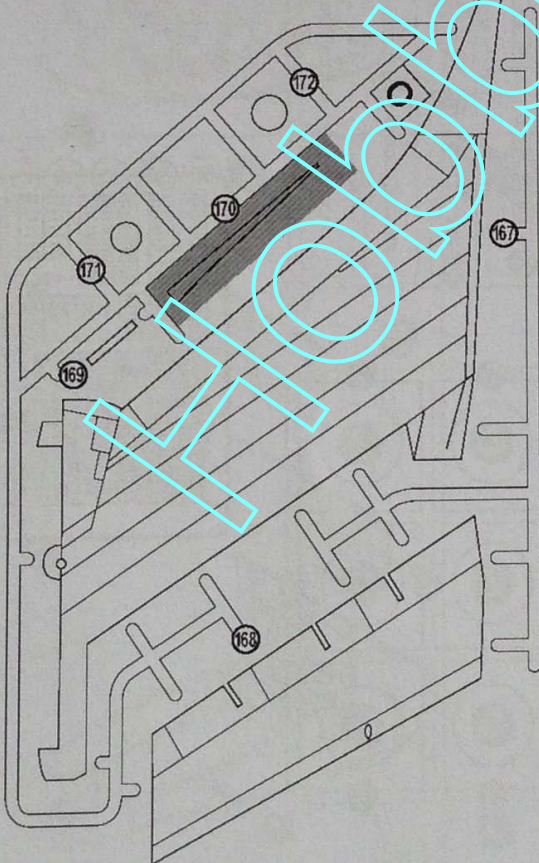
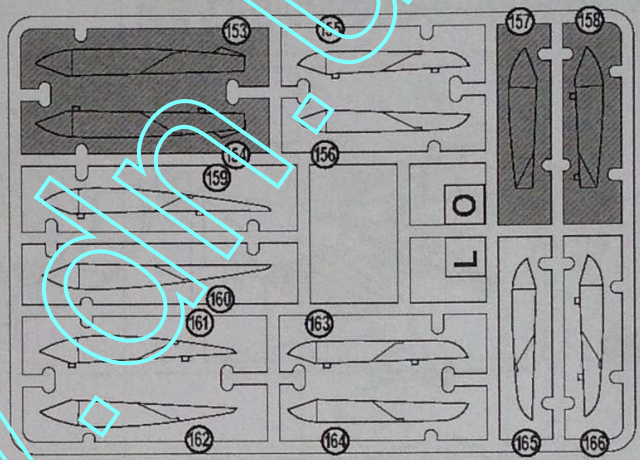
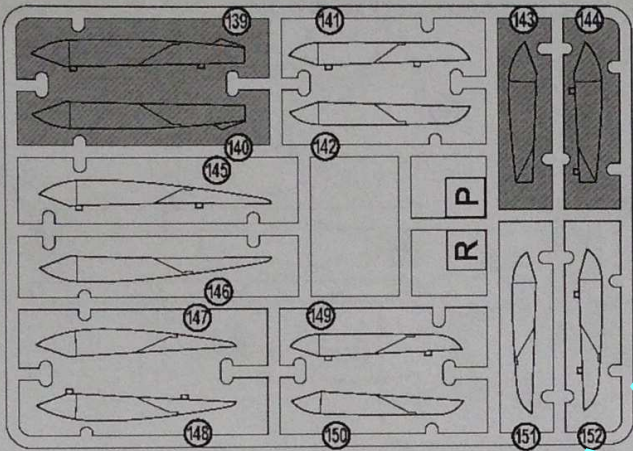
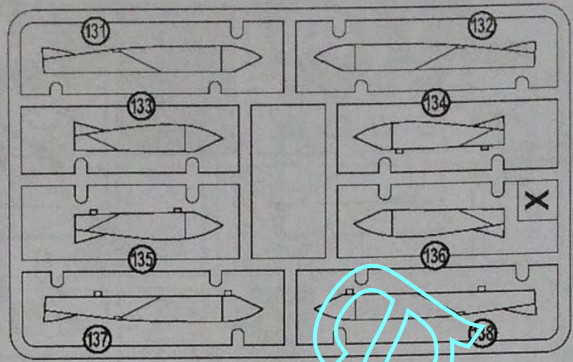
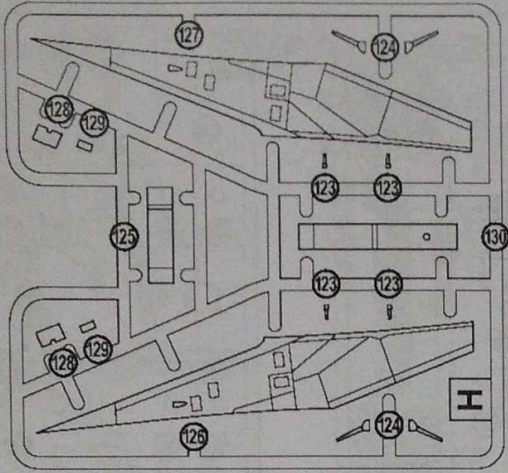
USED PAINTS

- | | | | | |
|--|---|--|--|--|
|   HUMBROL 126 US MEDIUM GREY |   HUMBROL 145 MEDIUM GREY |   HUMBROL 27002 POLISHED ALUMINIUM |   HUMBROL 19 RED |   HUMBROL 33 BLACK |
|   HUMBROL 129 US GULL GREY |   HUMBROL 64 LIGHT GREY |   HUMBROL 101 MID GREEN |   HUMBROL 27004 GUN METAL | |

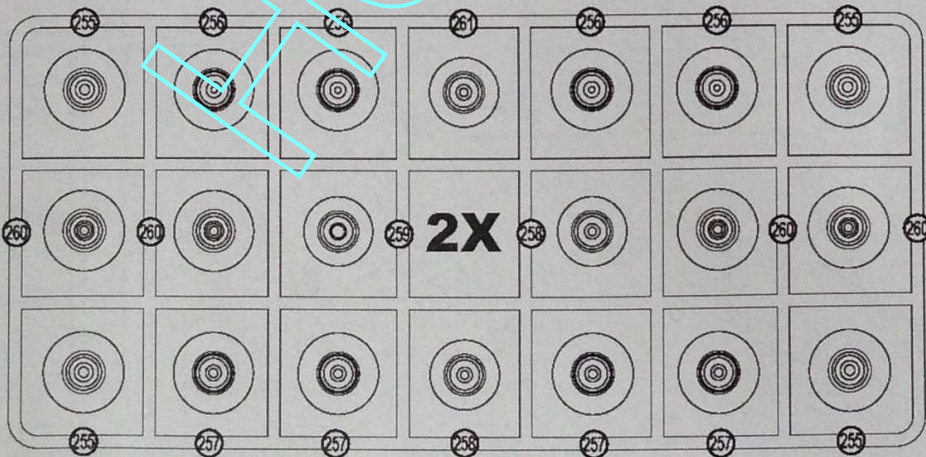
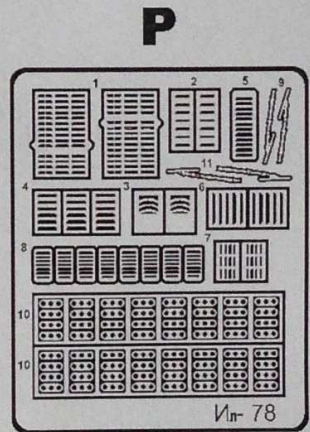
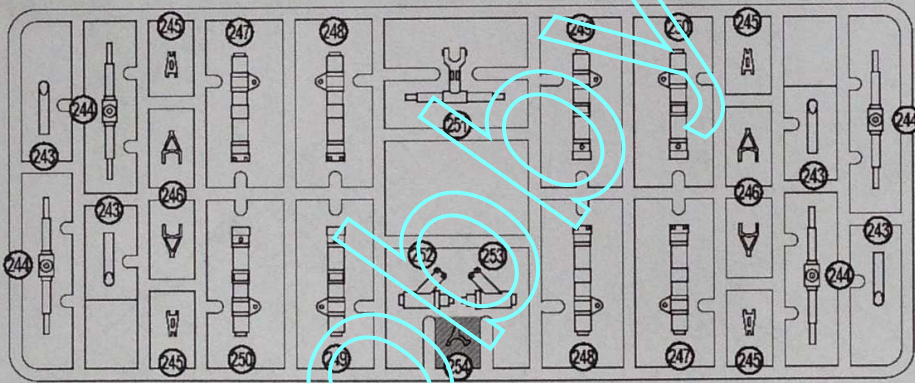
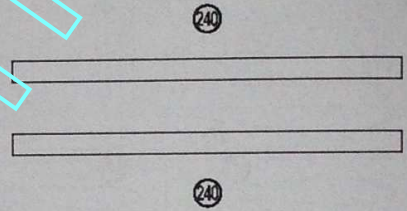
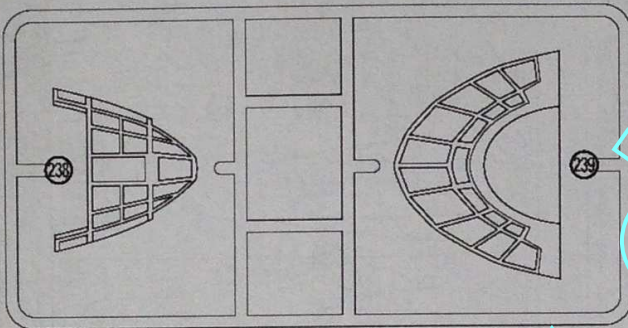
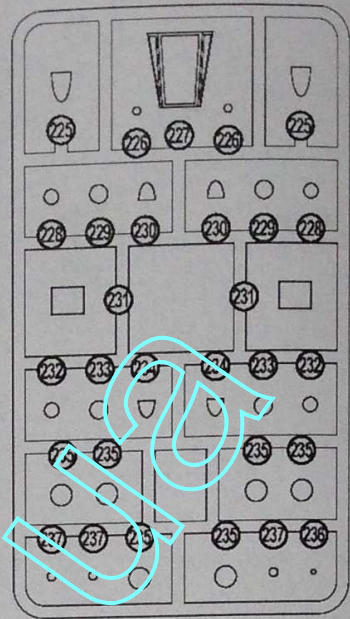
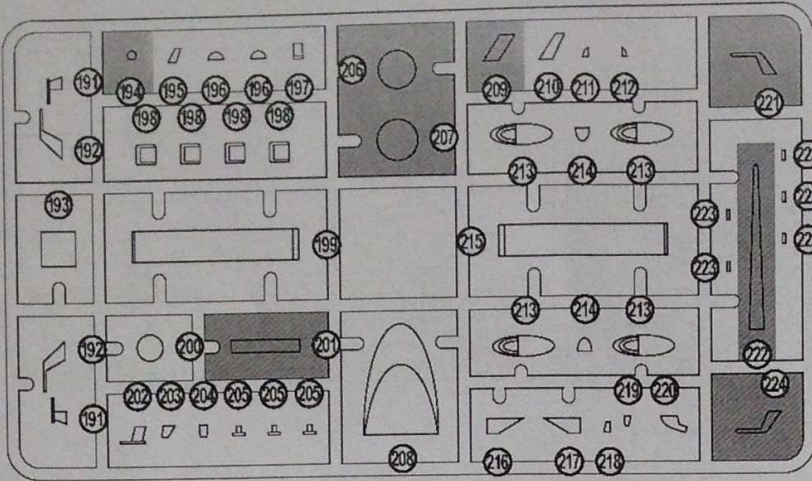




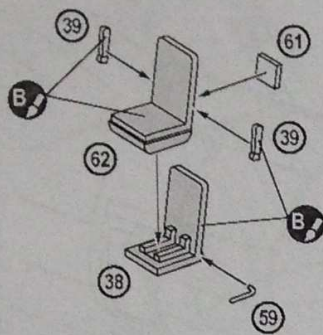
4X



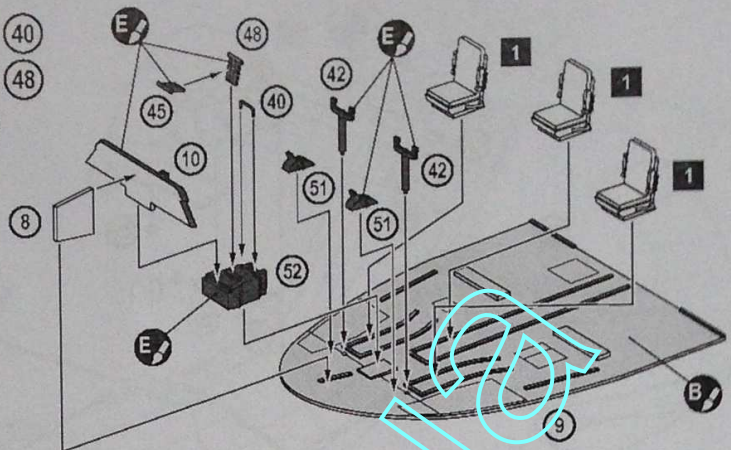
FOR SALE



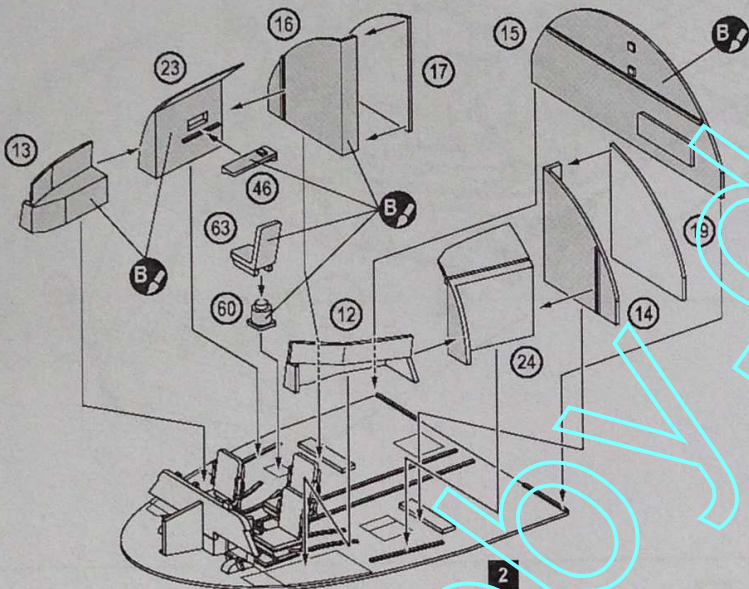
- 1** 38 2x 39 59
3x 61 62



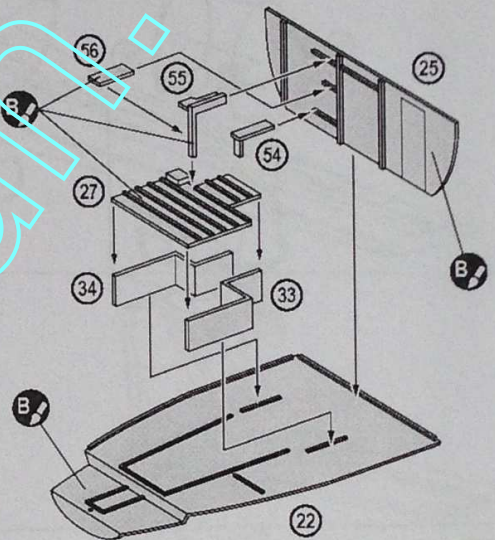
- 2** 8 9 10 40
2x 42 45 48
2x 51 52
3x 1



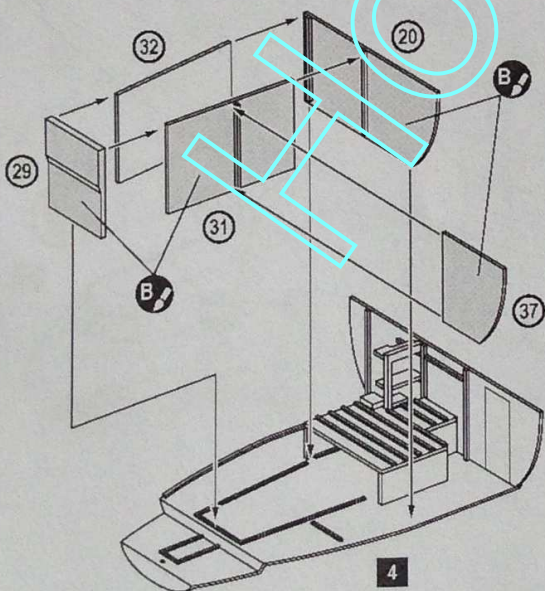
- 3** 12 13 14 15 16 17 19 23 24 46 60 63 2



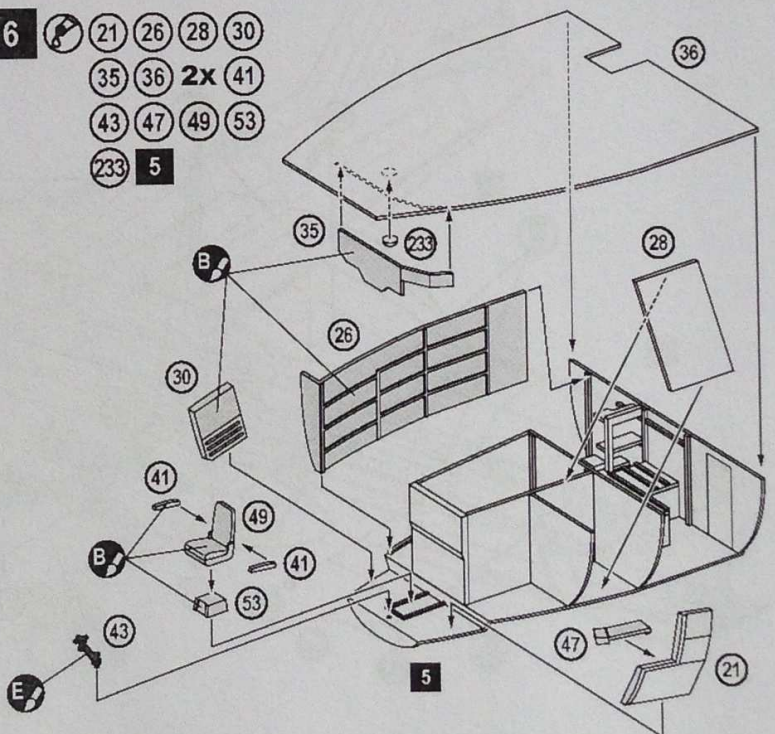
- 4** 22 25 27 33 34 54 55 56



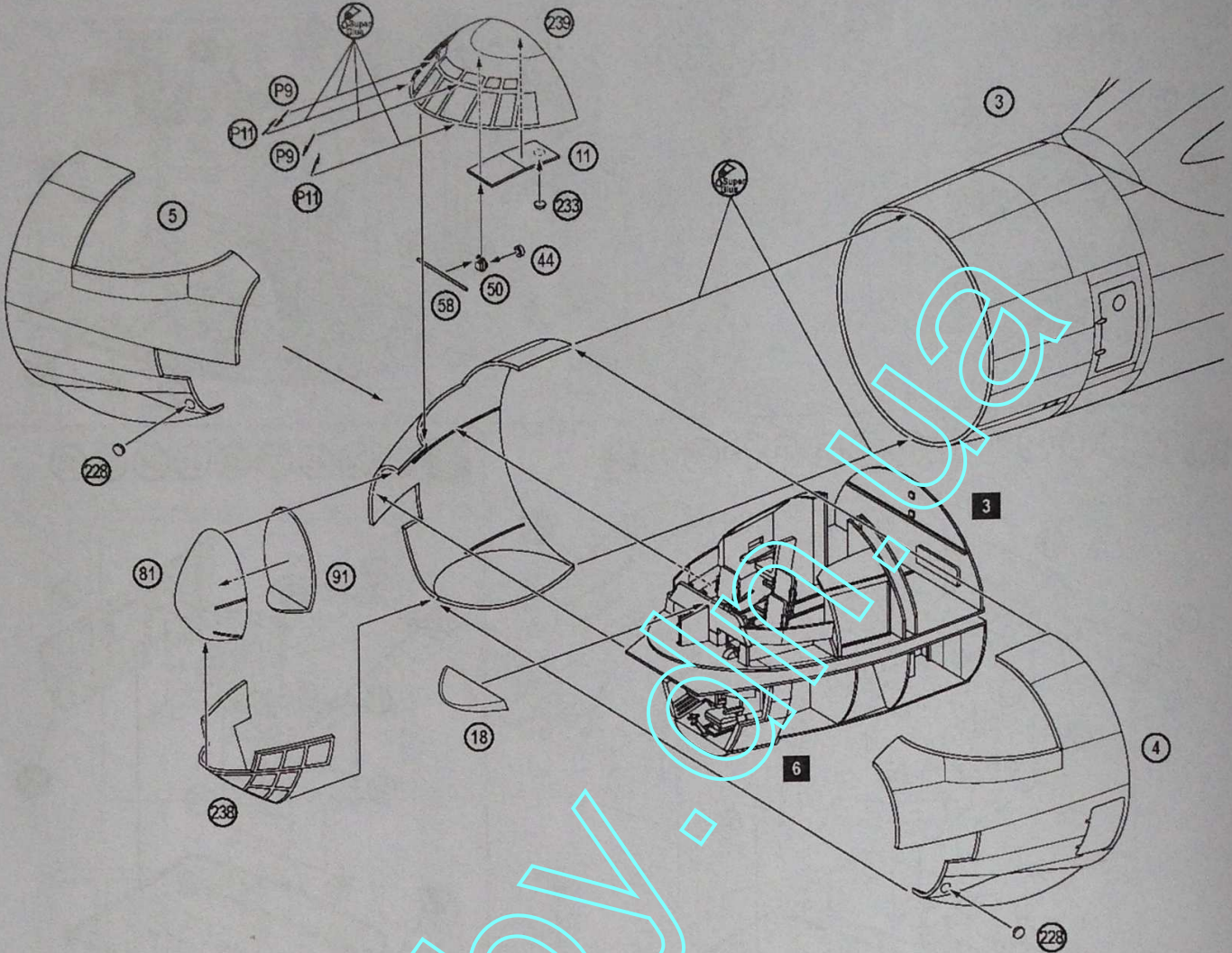
- 5** 20 29 31 32 37 4



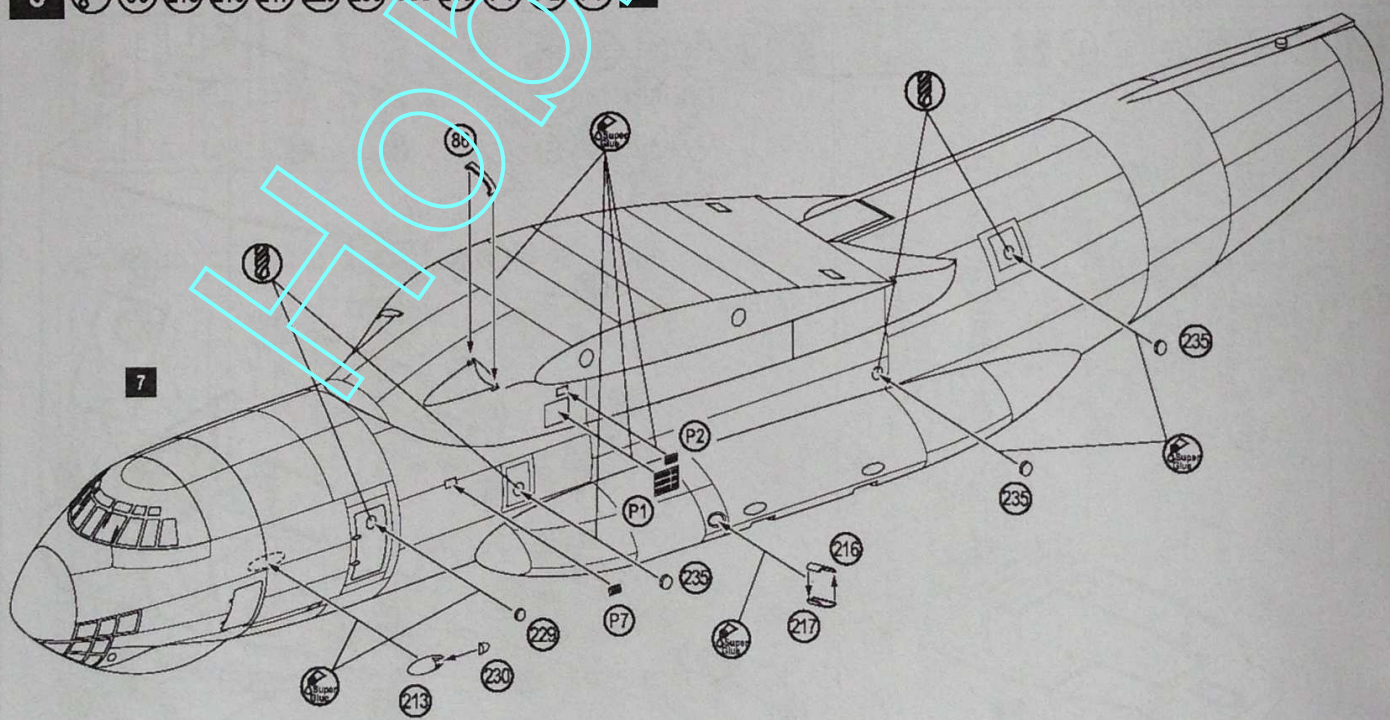
- 6** 21 26 28 30
35 36 2x 41
43 47 49 53
233 5




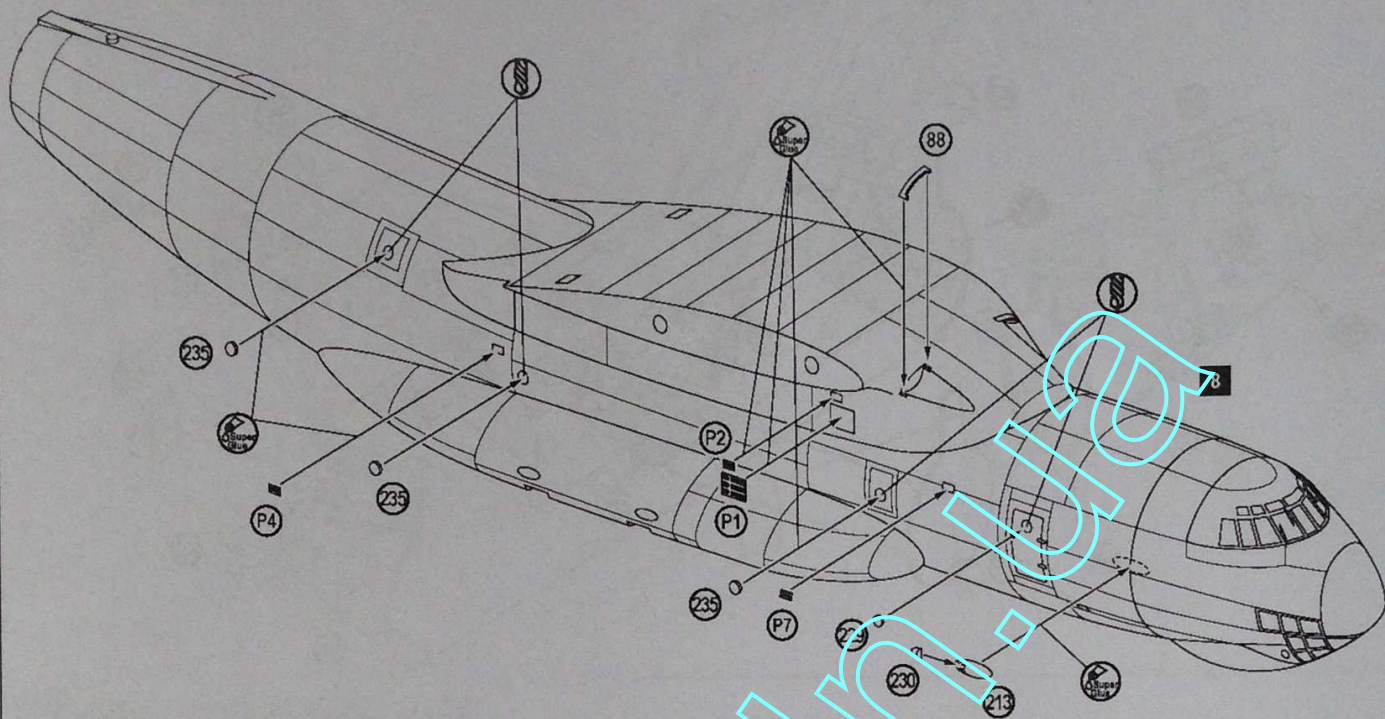
7 3 4 5 11 18 44 50 58 81 91 2x 228 233 238 239 2x P9 2x P11 3 6




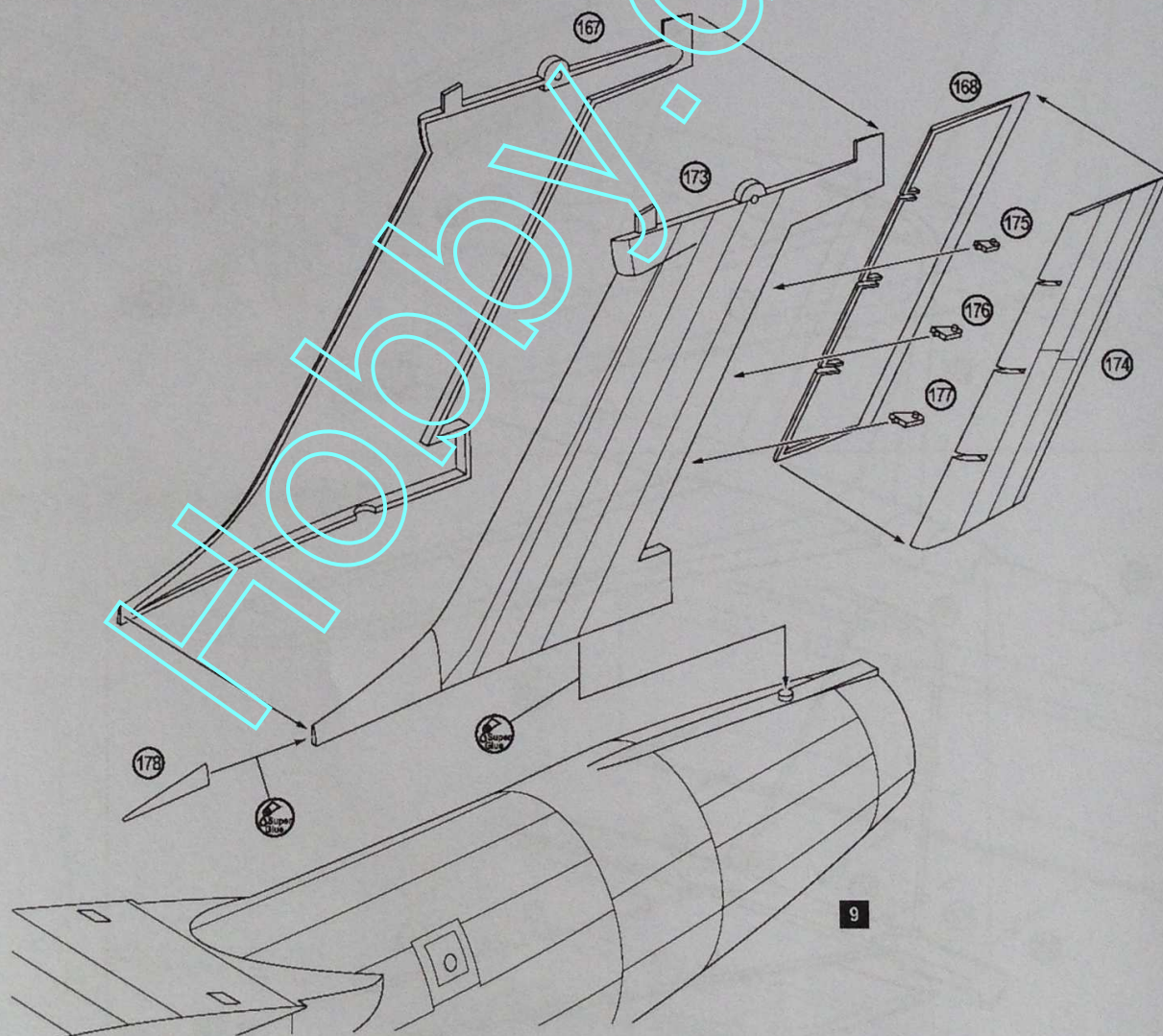
8 86 213 216 217 229 230 3x 235 P1 P2 P7



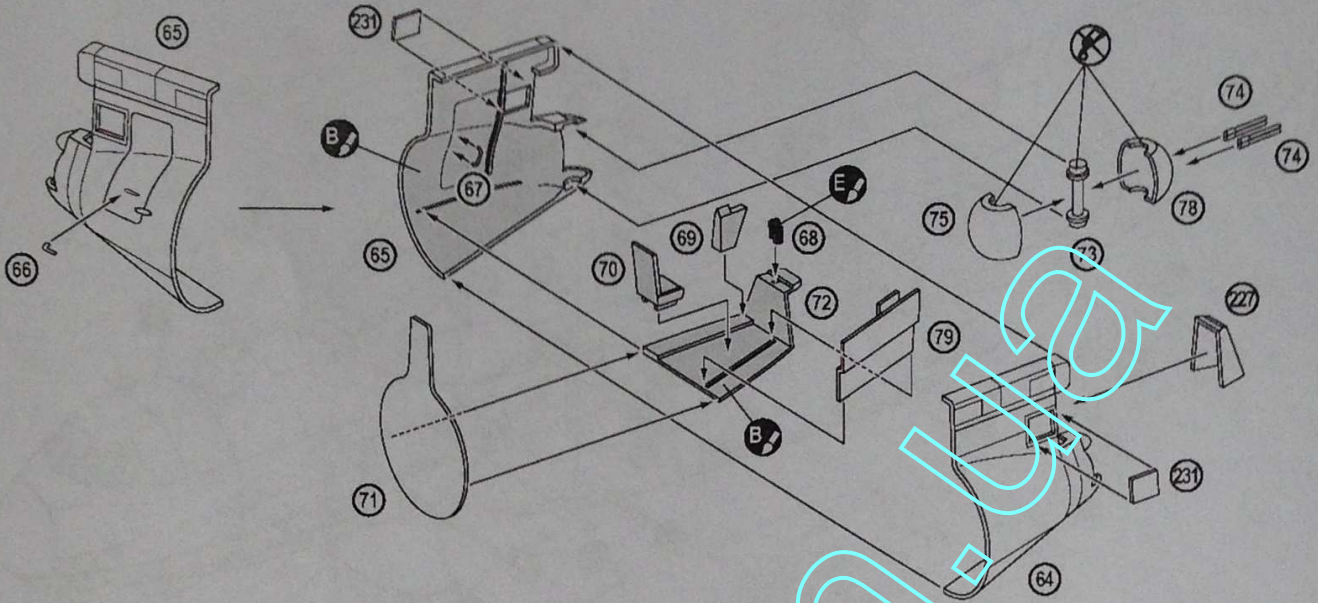
9  88 213 229 230 3x 235 P1 P2 P4 P7 8



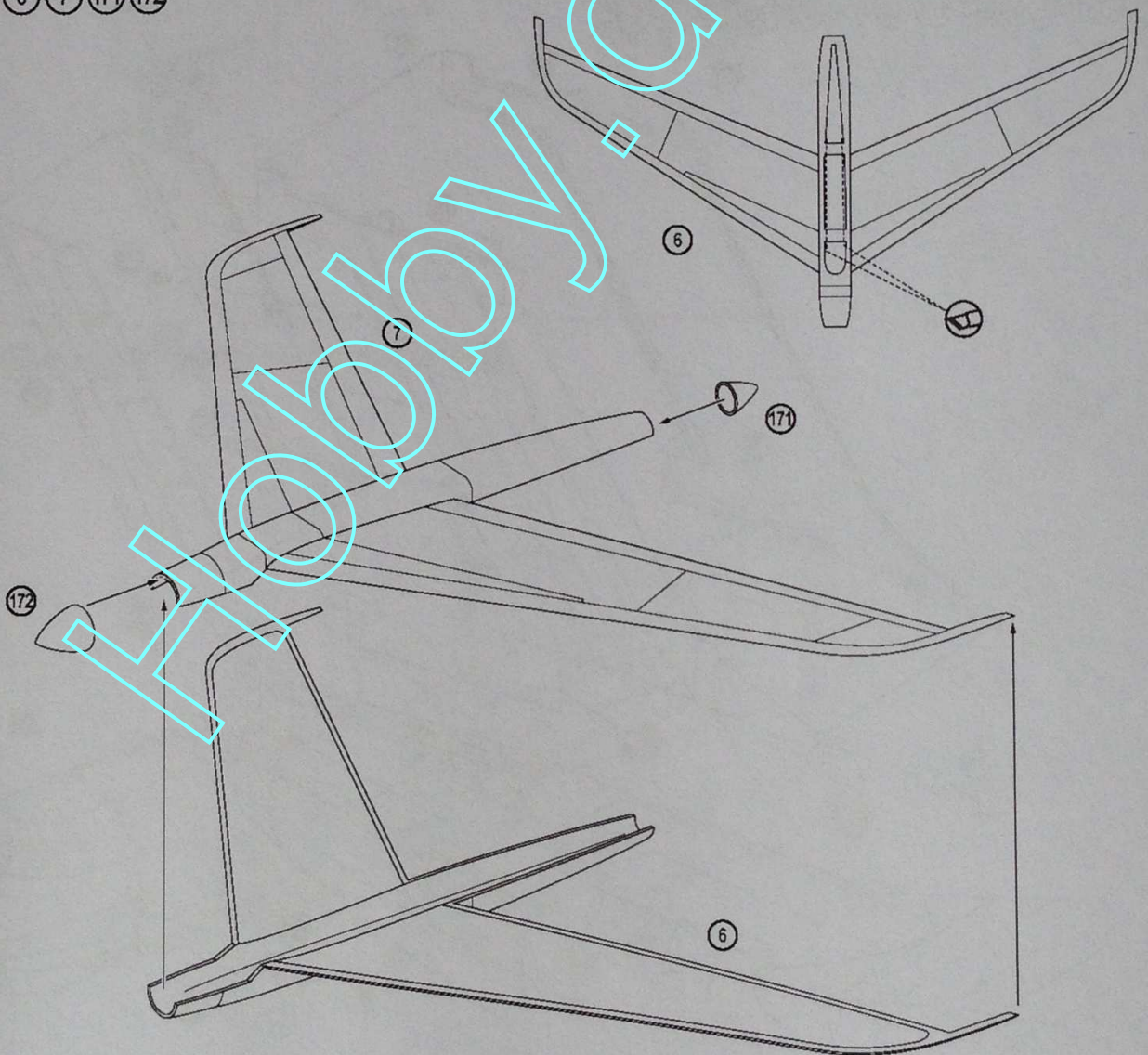
10  167 168 173 174 175 176 177 178 9




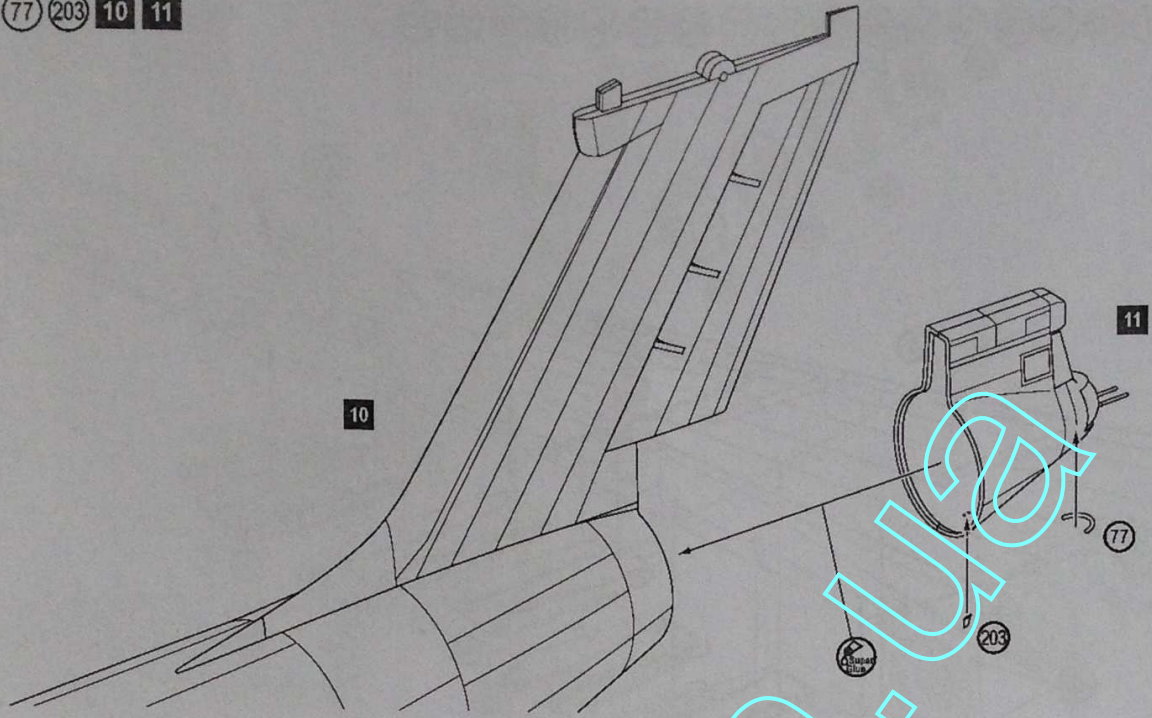
11 63 64 65 66 67 68 69 70 71 72 73 2x 74 75 78 79 227 2x 231




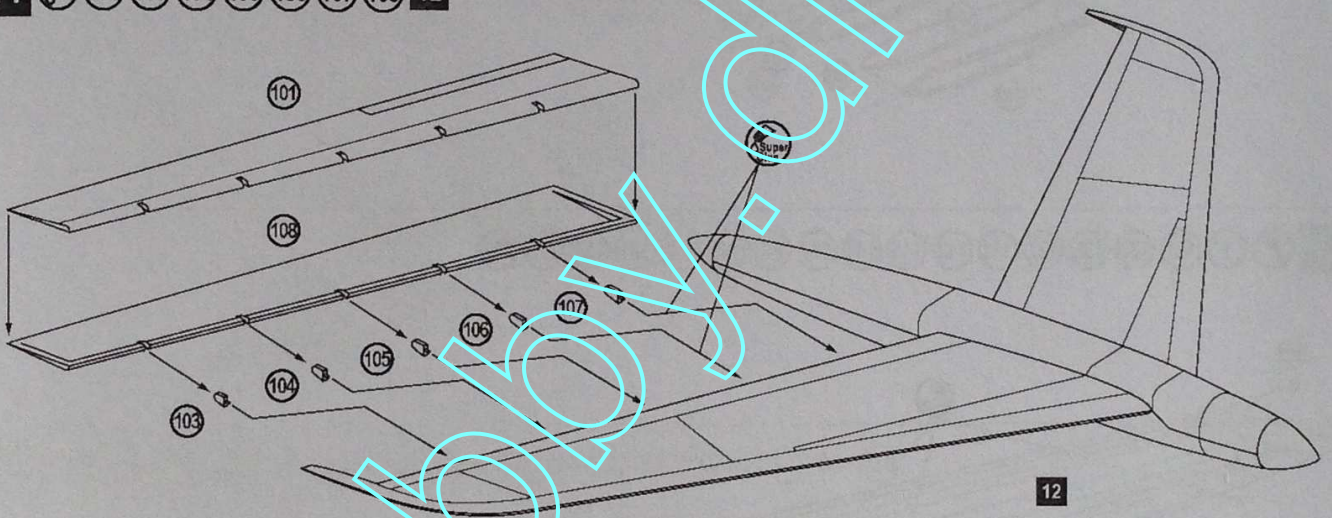
12 6 7 171 172




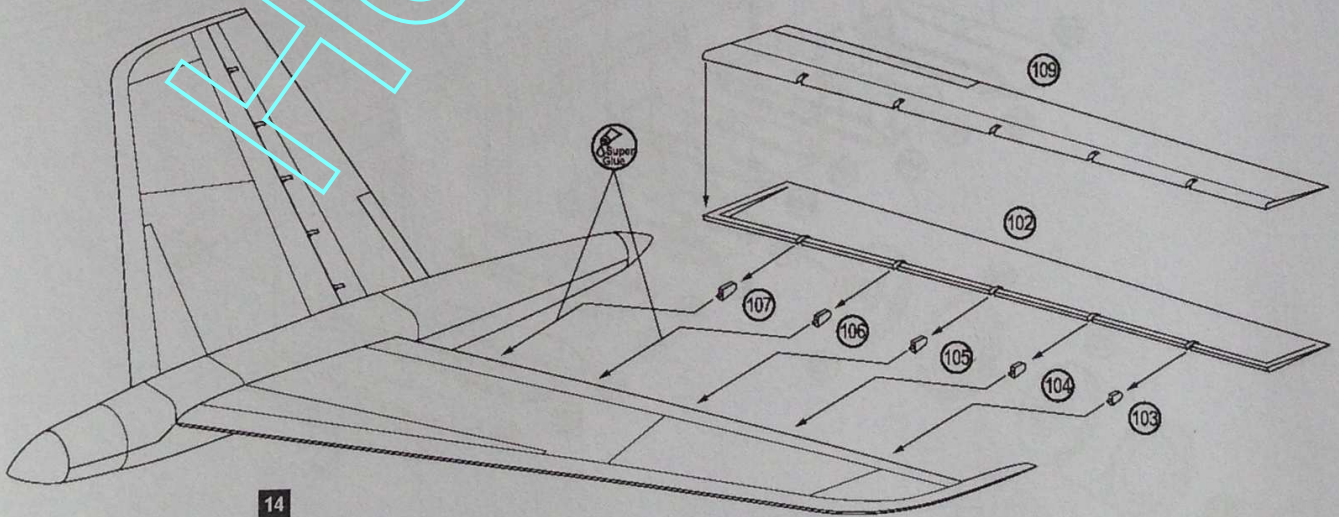
13  77 203 10 11



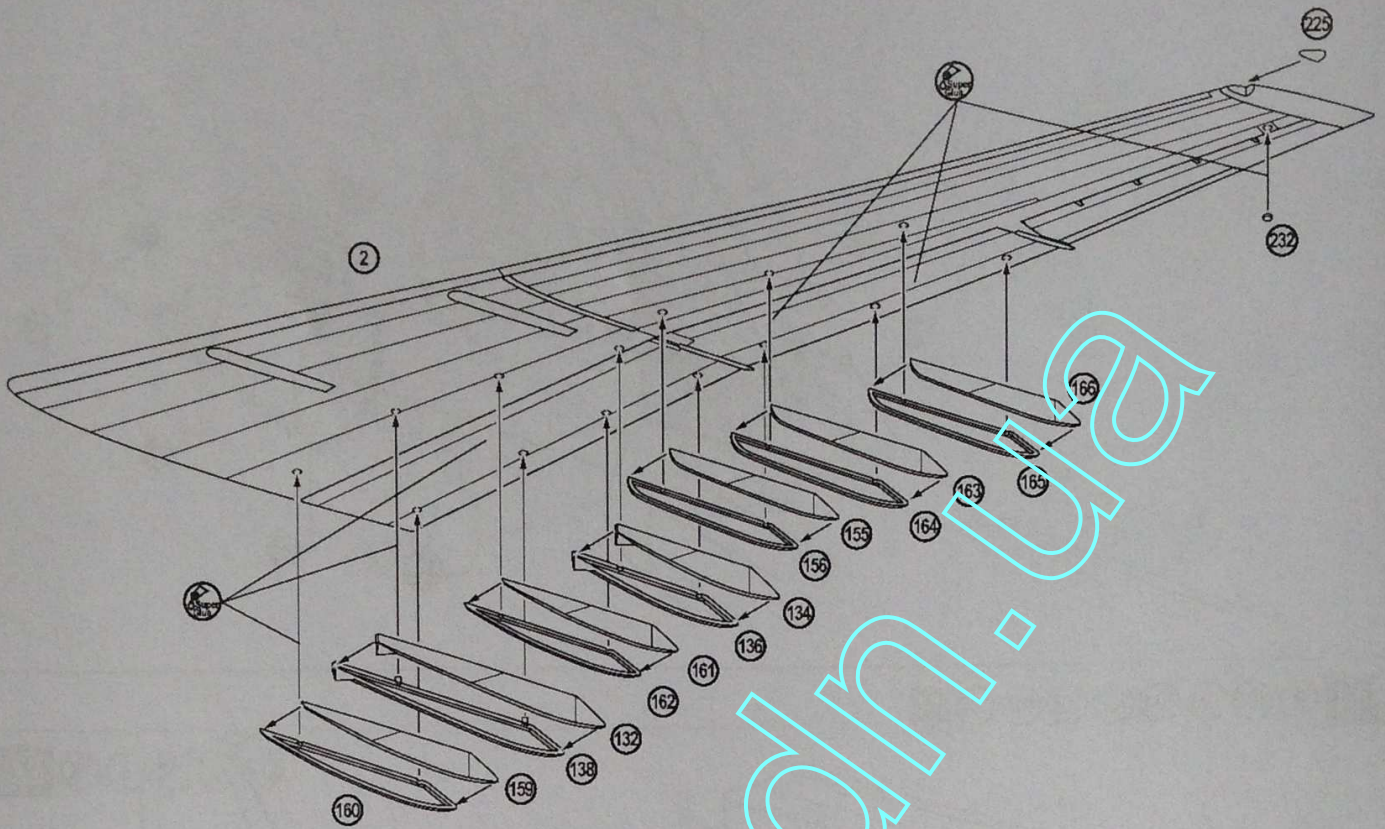
14  101 103 104 105 106 107 108 12



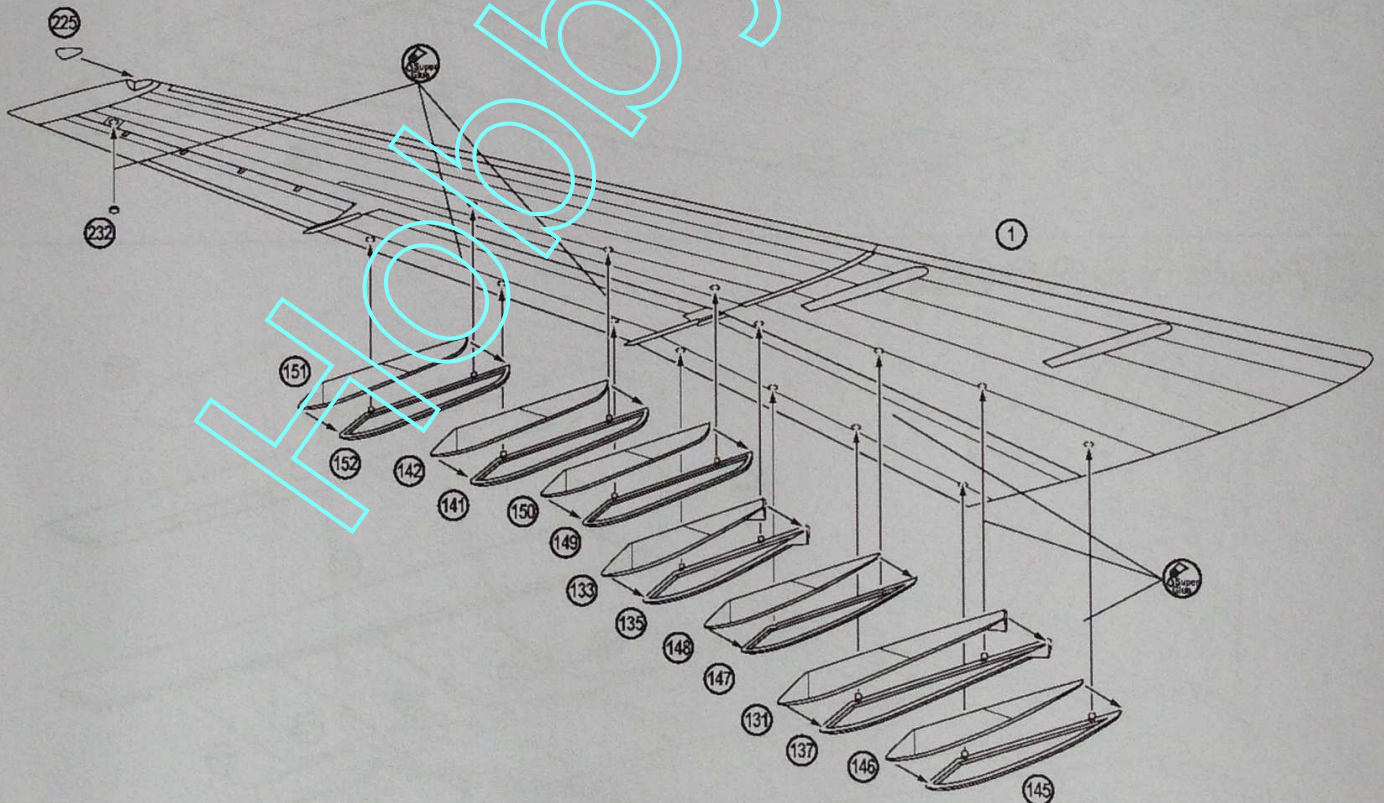
15  102 103 104 105 106 107 109 14




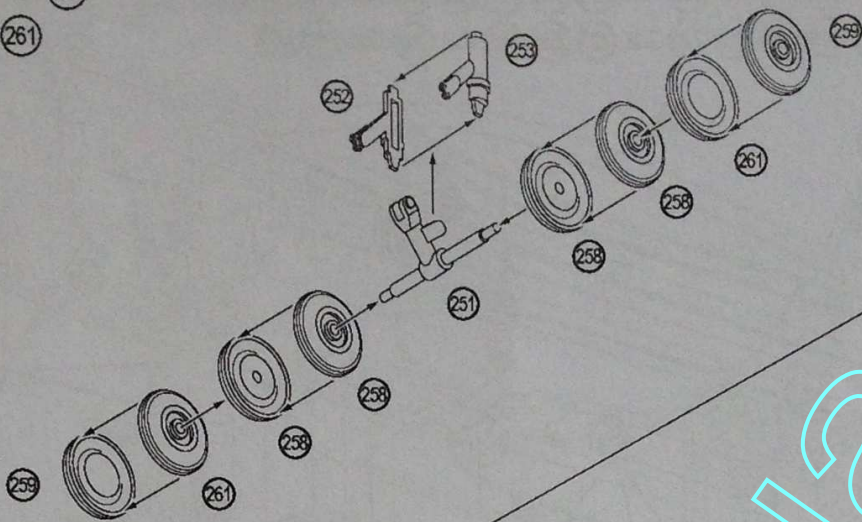
16 2 132 134 136 138 155 156 159 160 161 162 163 164 165 166 225 232

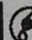


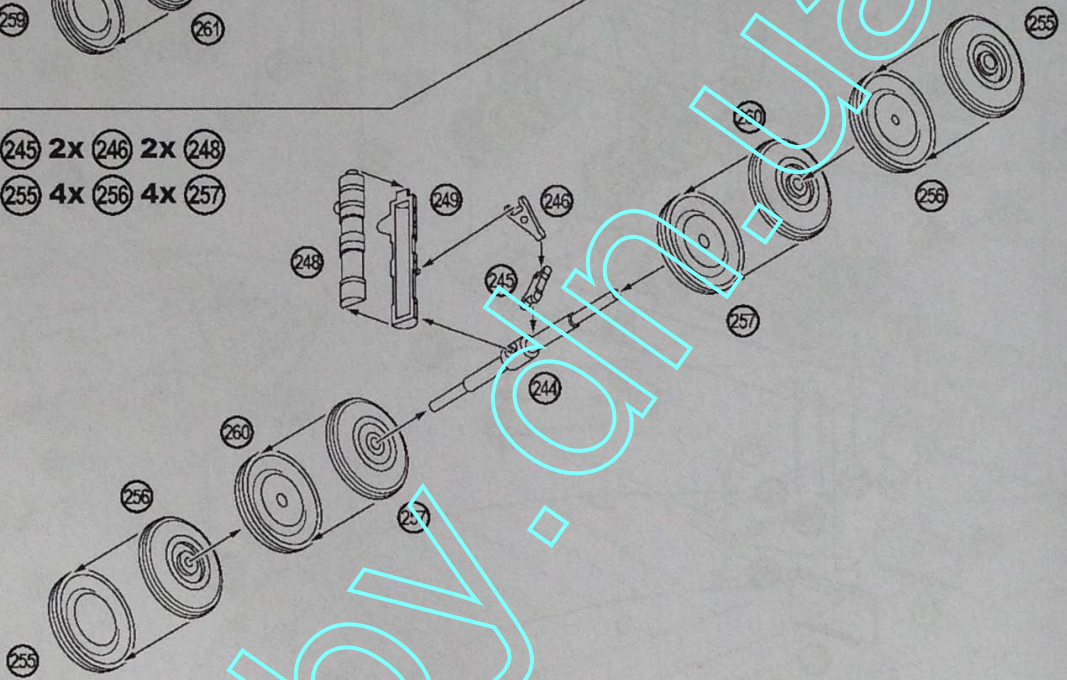
17 1 131 133 135 137 141 142 145 146 147 148 149 150 151 152 225 232




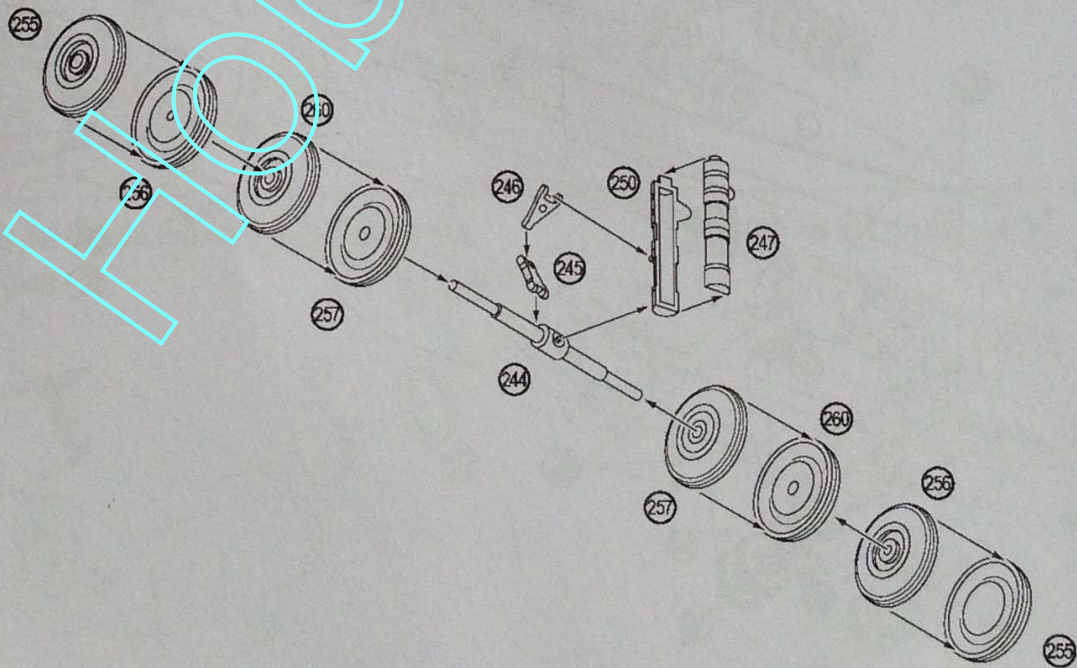
18  (251) (252) (253) 4x (258)
2x (259) 2x (261)




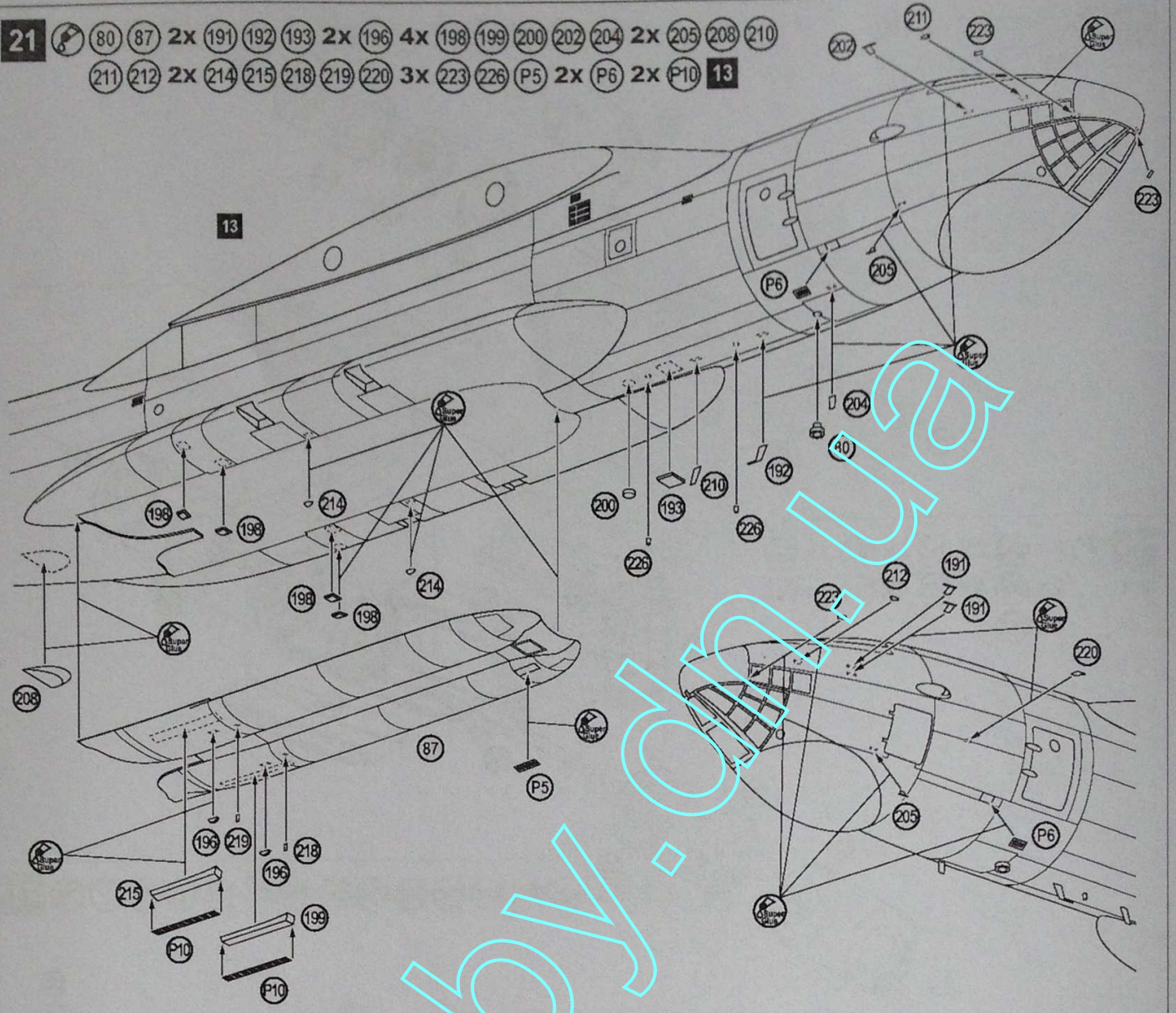
19  2x (244) 2x (245) 2x (246) 2x (248)
2x (249) 4x (255) 4x (256) 4x (257)
4x (260)




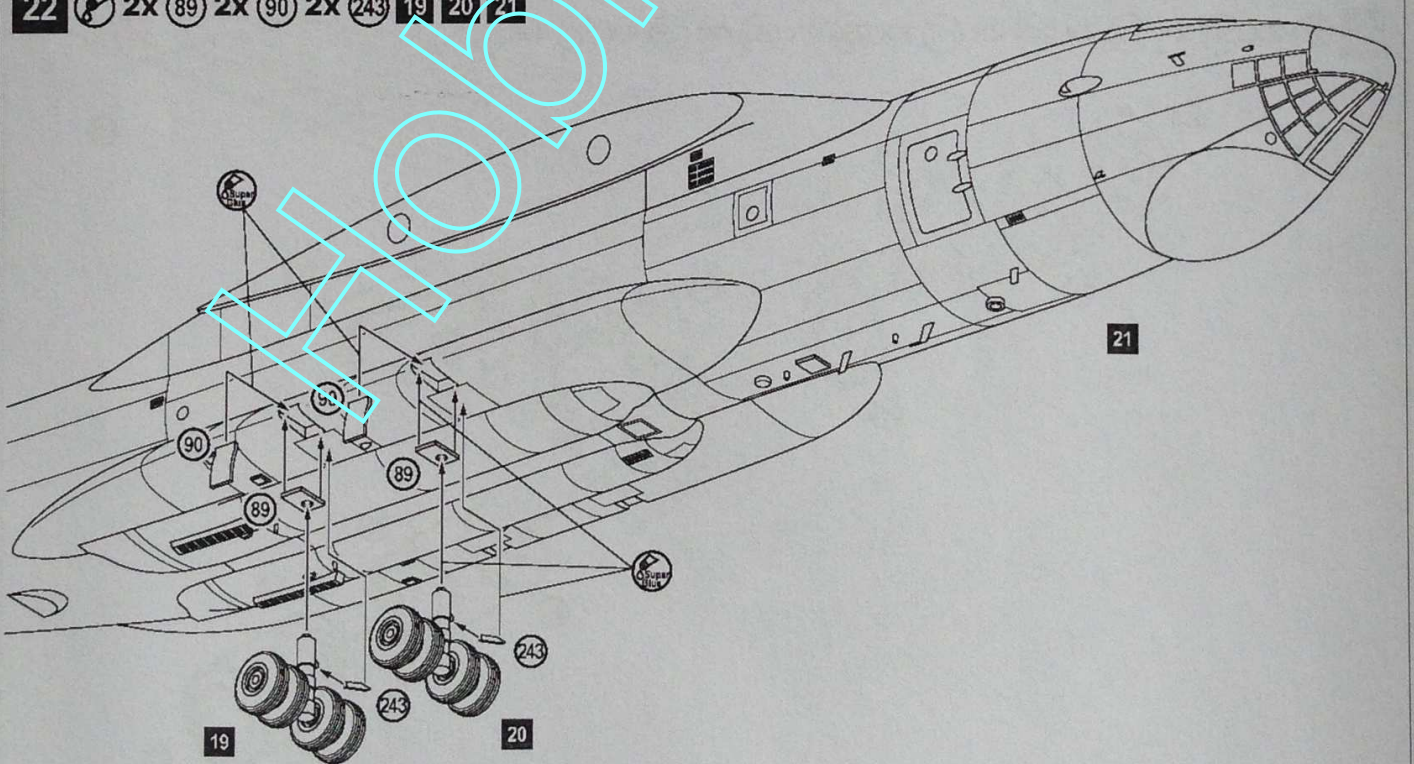
20  2x (244) 2x (245) 2x (246) 2x (247) 2x (250) 4x (255) 4x (256) 4x (257) 4x (260)
2x



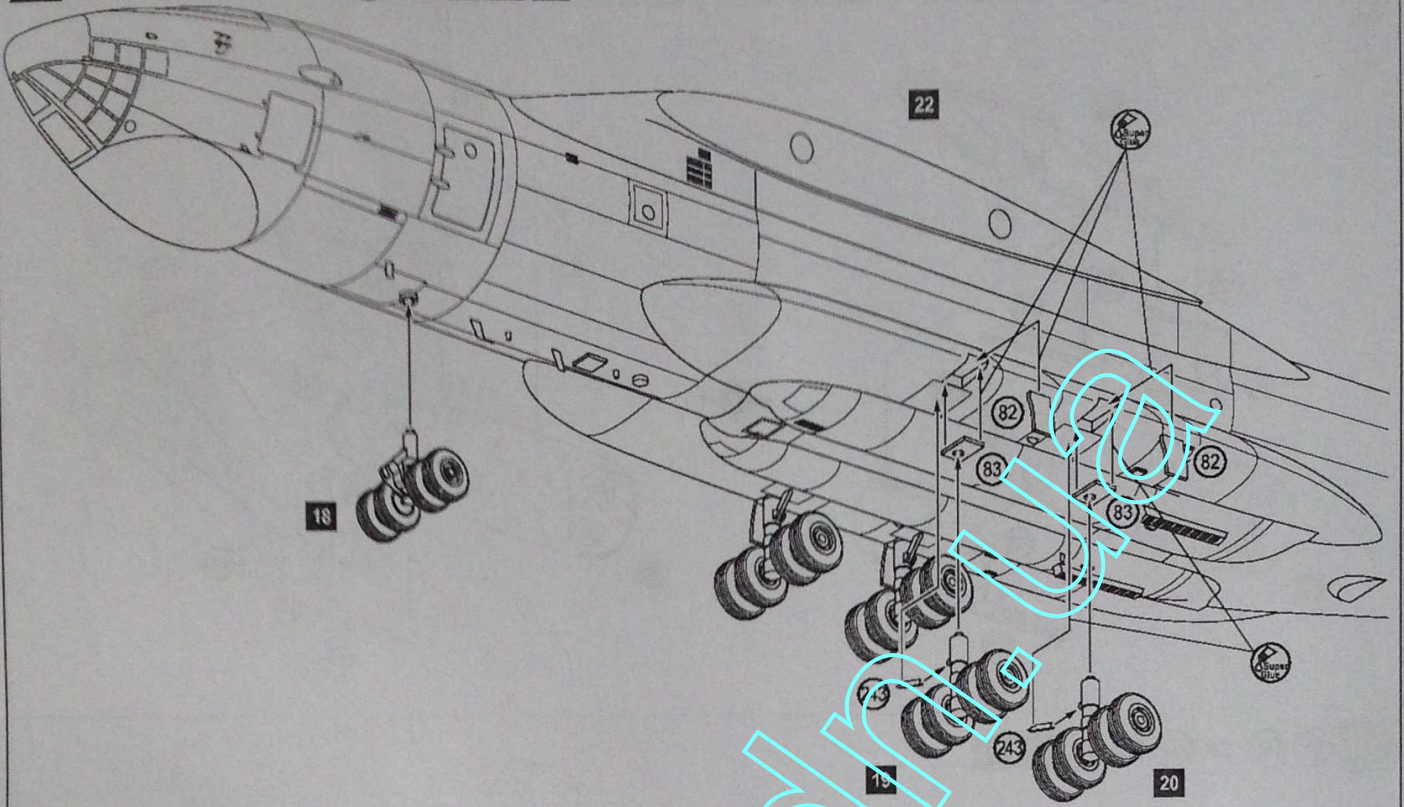
21  80 87 2x 191 192 193 2x 196 4x 198 199 200 202 204 2x 205 208 210
 211 212 2x 214 215 218 219 220 3x 223 226 P5 2x P6 2x P10 13



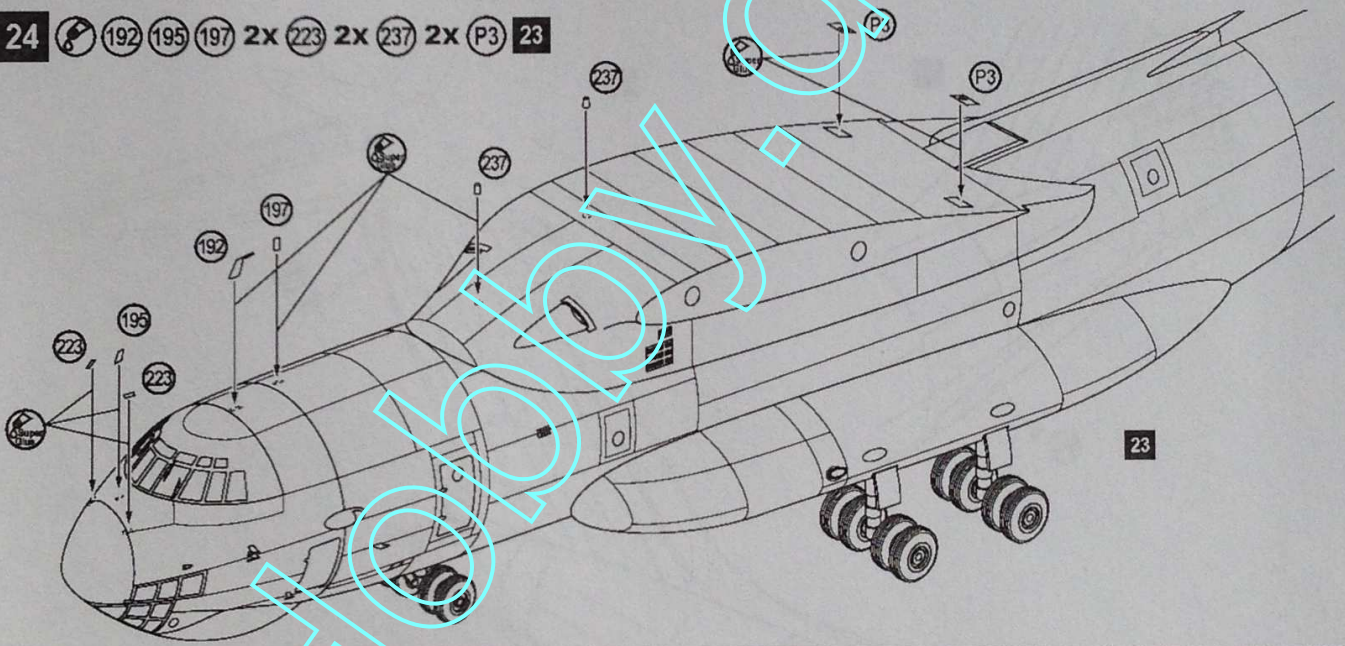
22  2x 89 2x 90 2x 243 19 20 21



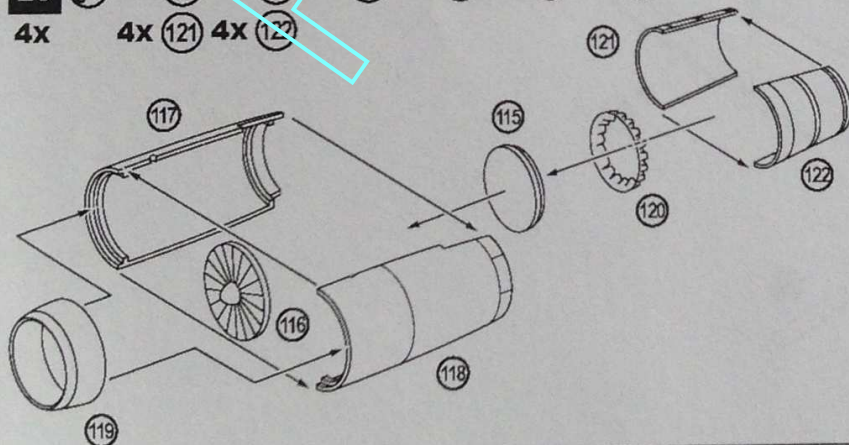
23 2x 82 2x 83 2x 243 18 19 20 22



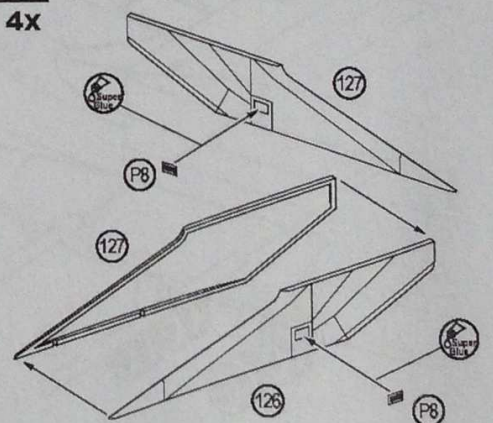
24 192 195 197 2x 223 2x 237 2x P3 23



25 4x 115 4x 116 4x 117 4x 118 4x 119 4x 120
4x 4x 121 4x 122

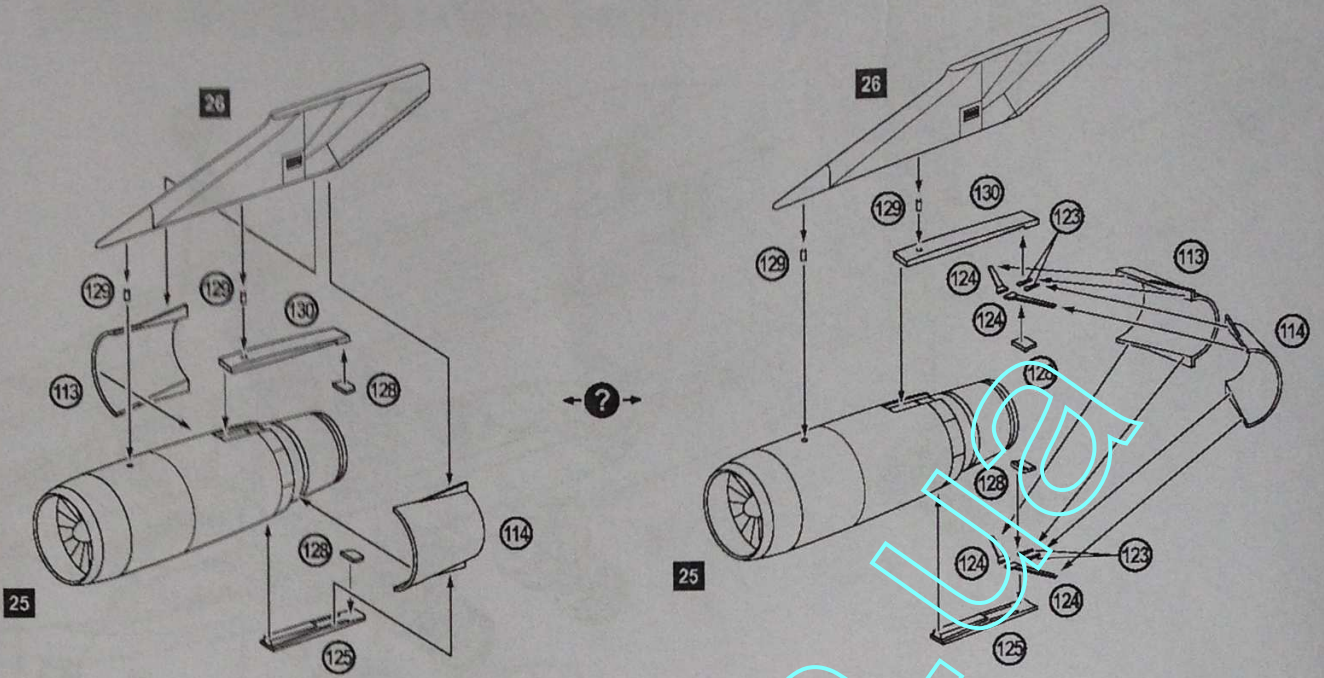


26 4x 126 4x 127 8x P8
4x

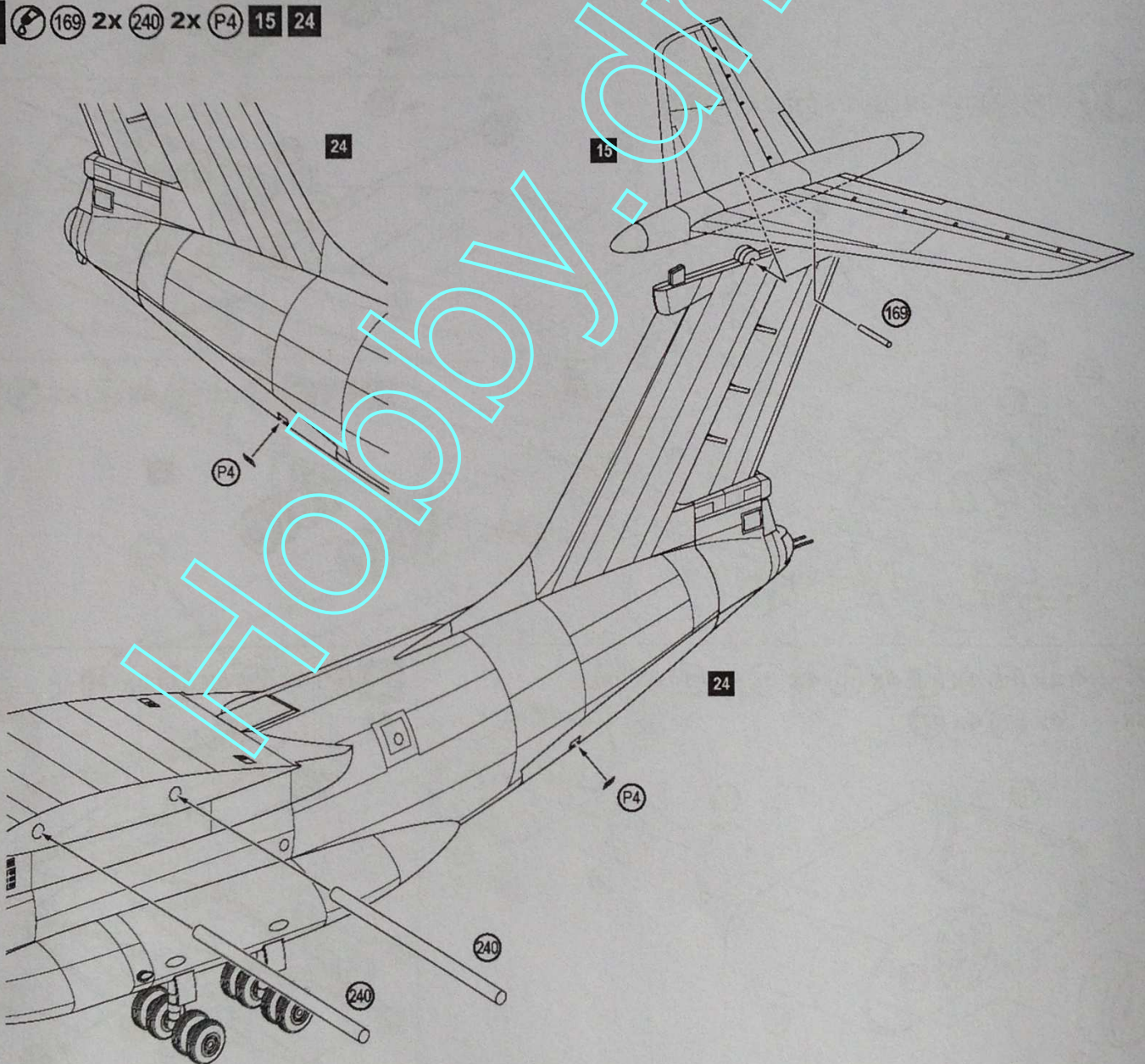


27 4x 113 4x 114 16x 123 16x 124 4x 125 8x 128 8x 129 4x 130 4x 25 4x 26

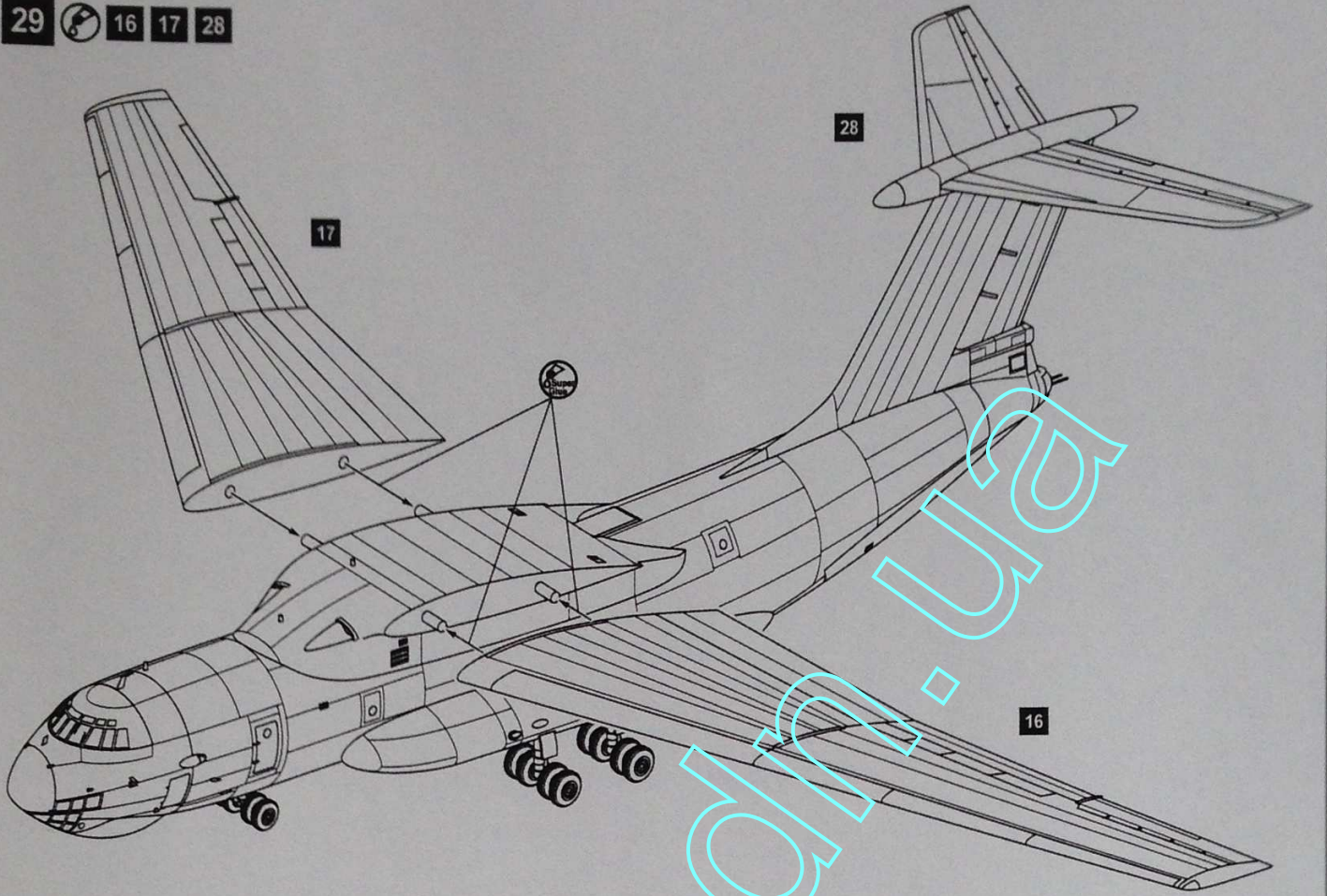
4x




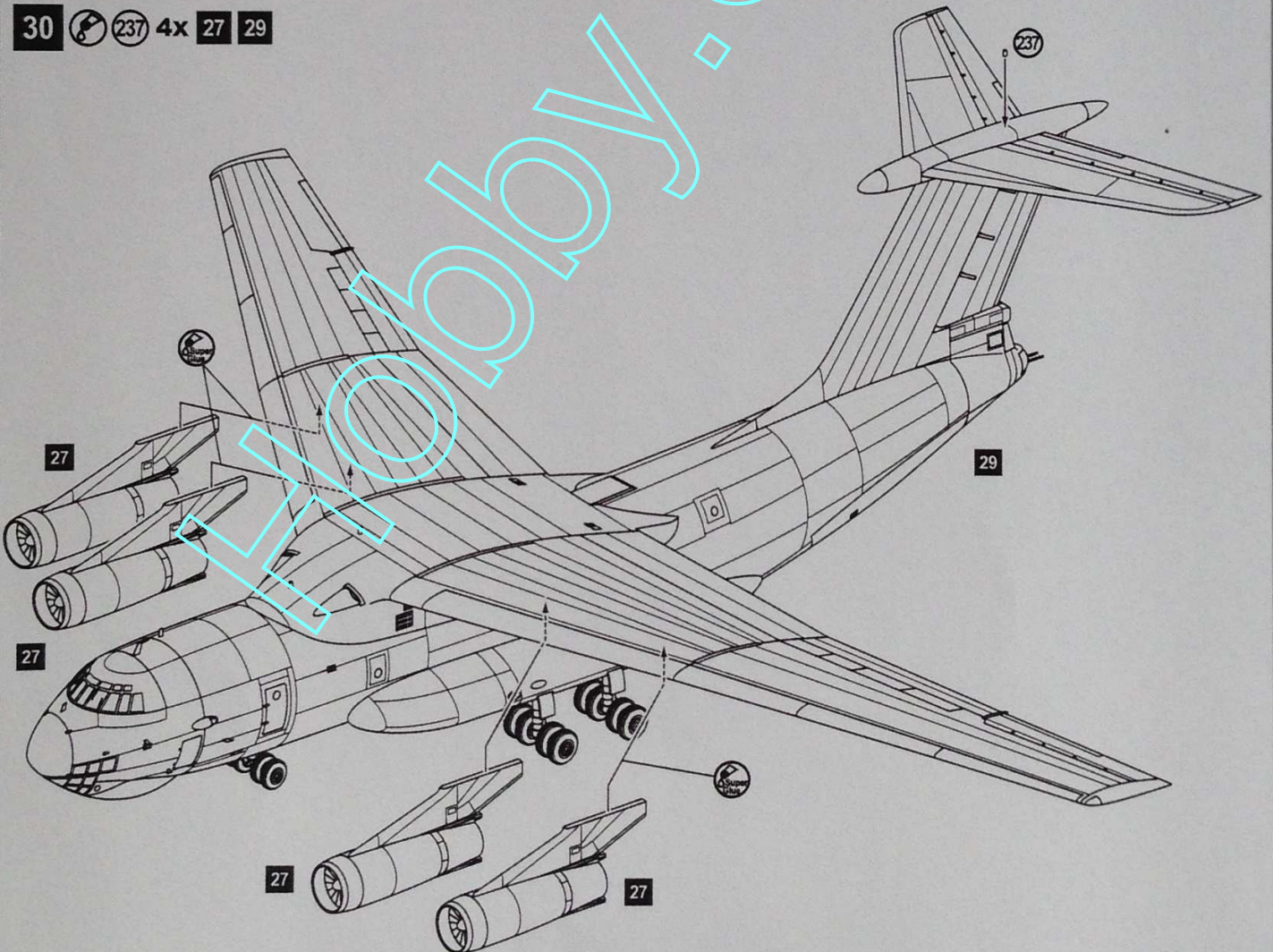
28 169 2x 240 2x P4 15 24



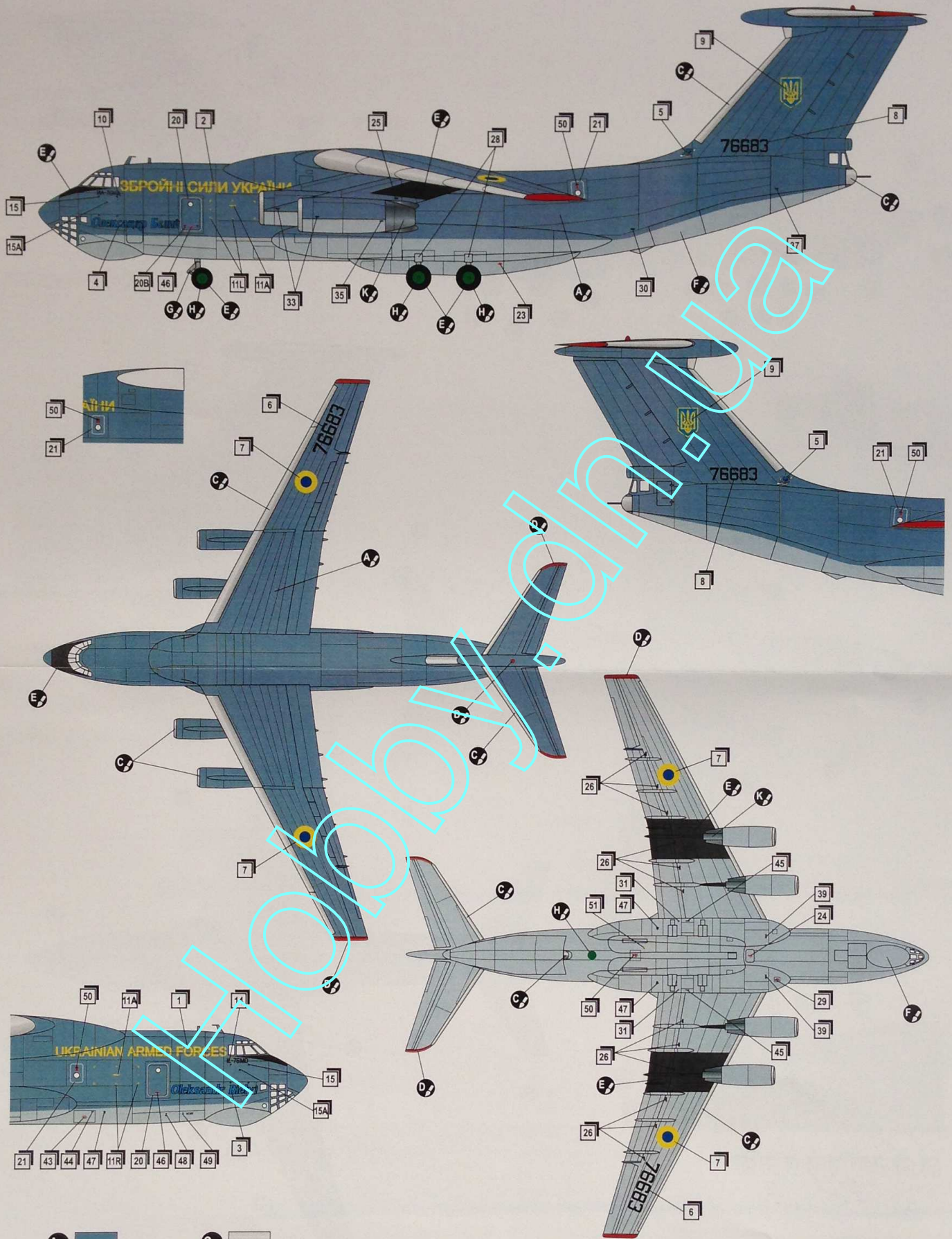
29  16 17 28



30  237 4x 27 29



IL-76MD



A HUMBROL 126
US MEDIUM GREY

C HUMBROL 27002
POLISHED ALUMINIUM

D HUMBROL 19
RED

E HUMBROL 33
BLACK

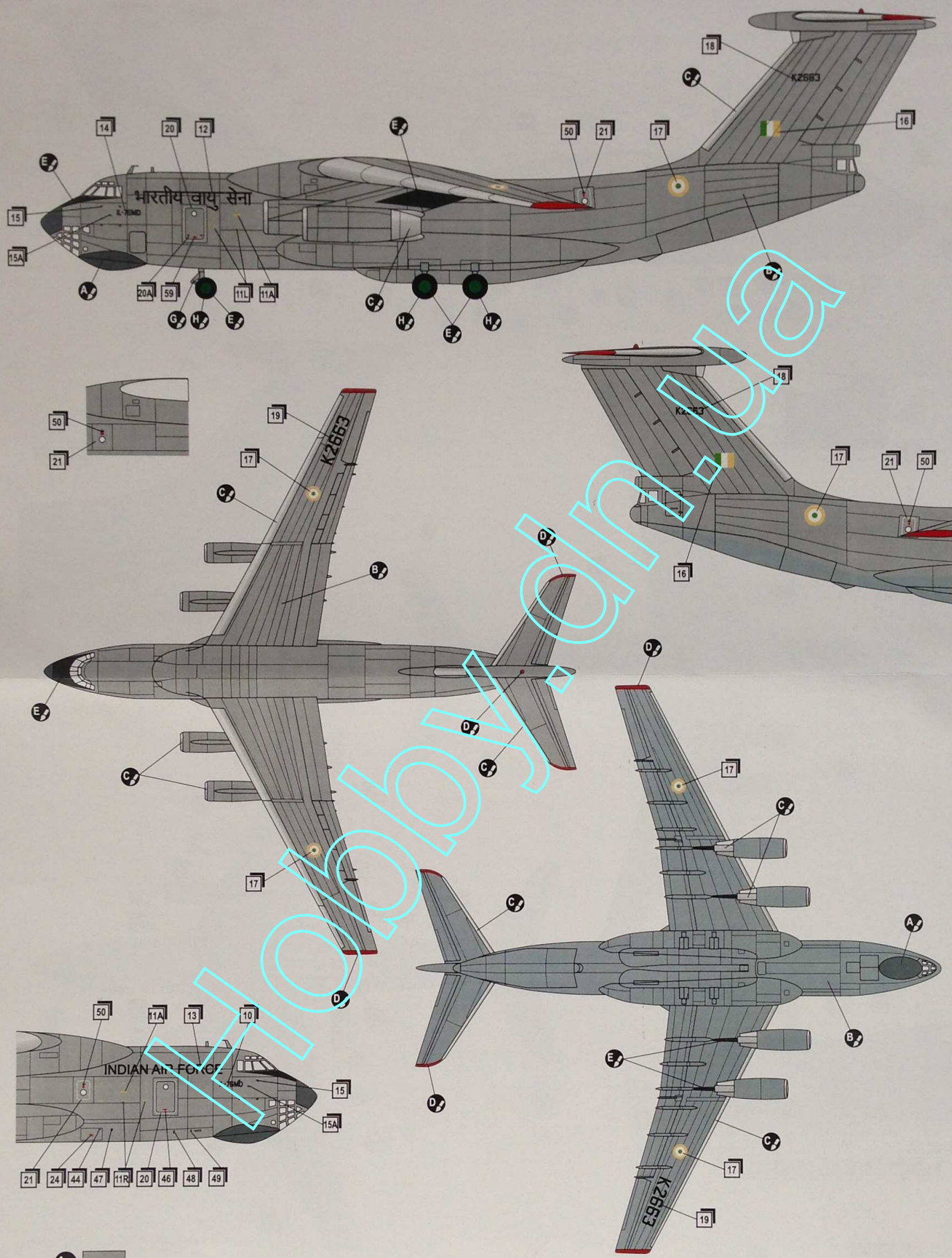
F HUMBROL 129
US GULL GREY

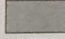
G HUMBROL 64
LIGHT GREY


H HUMBROL 101
MID GREEN

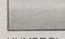
K HUMBROL 27004
GUN METAL

IL-76MD

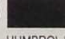


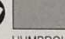
A  HUMBROL 126
US MEDIUM GREY

B  HUMBROL 145
MEDIUM GREY

C  HUMBROL 27002
POLISHED ALUMINIUM

D  HUMBROL 19
RED

E  HUMBROL 33
BLACK

G  HUMBROL 64
LIGHT GREY

H  HUMBROL 101
MID GREEN