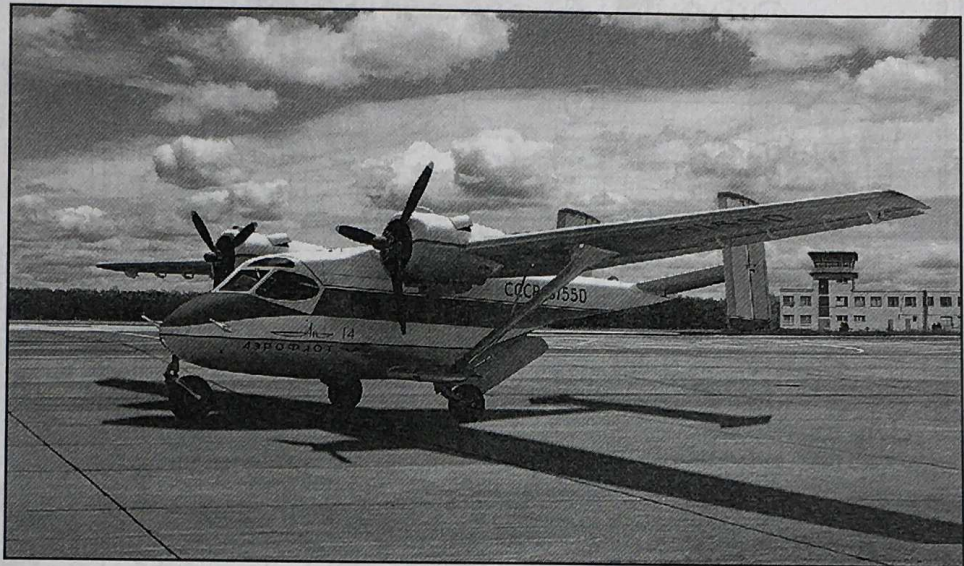




Antonov An-14

PLASTIC MODEL KITS
LIMITED EDITION
CAT.NO.72224



SPAN : 306 mm
LENGTH : 158 mm
PARTS : 237 pieces
SCALE:1/72



An-14 "Pchelka" (Small Bee) (according to NATO codification "Clod") - Soviet transport aircraft designed to be a substitute of An-2. The first flight was 14 March 1958.

An-14 - all-metal piston two engines strut-framed high plane with twin-fill tail, fixed landing gear, and tail cargo-and-passenger door. This short takeoff and landing aircraft can be used on unequipped and unpaved airfields. Batch production began in 1966. There were built 340 airplanes.

The model is executed on technology short run and is intended only for experienced modelers

Worldwide distributor for AMODEL kits: IBG, Warszawa, Poland
Fax: (48 22) 842-56-29; E-Mail: ibgsc@ibg.com.pl



USED SYMBOLS

1

STAGES OF ASSEMBLY

1

NUMBER PARTS

1

APPLY DECALS

A

TO PAINT

6

GLUE



DON'T GLUE

?

OPTIONAL

B

TO BEND

S

TO USE SUPERGLUE™

2x

QUANTITY OF OPERATIONS(PARTS)



USED PAINTS

A



HUMBROL 22
WHITE

B



HUMBROL 40
PALE GREY

C



HUMBROL 191
RED

D



HUMBROL 64
LIGHT GREY

E



HUMBROL 24
YELLOW

F



HUMBROL 11
SILVER

G



HUMBROL 53
GUNMETAL

H



HUMBROL 33
BLACK

J



HUMBROL 56
ALUMINIUM

K



HUMBROL 65
LIGHT BLUE

L



HUMBROL 23
DUCK EGG BLUE

M



HUMBROL 162
SURFACE GREY

N



HUMBROL 121
PALE STONE

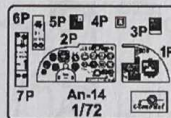
O



HUMBROL 101
MID GREEN

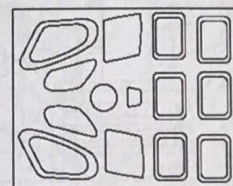


DECALS



DECALS FOR TWO VERSIONS OF COLOURING


MASKS FOR PAINTING

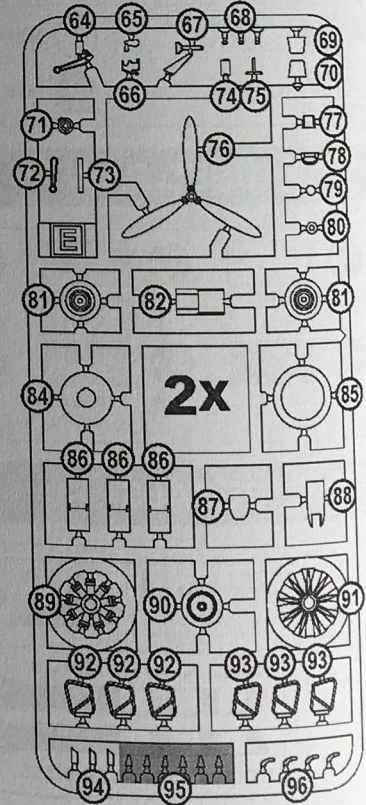
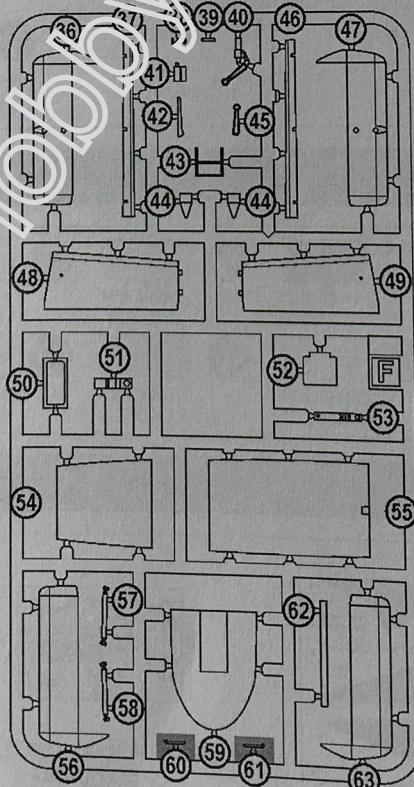
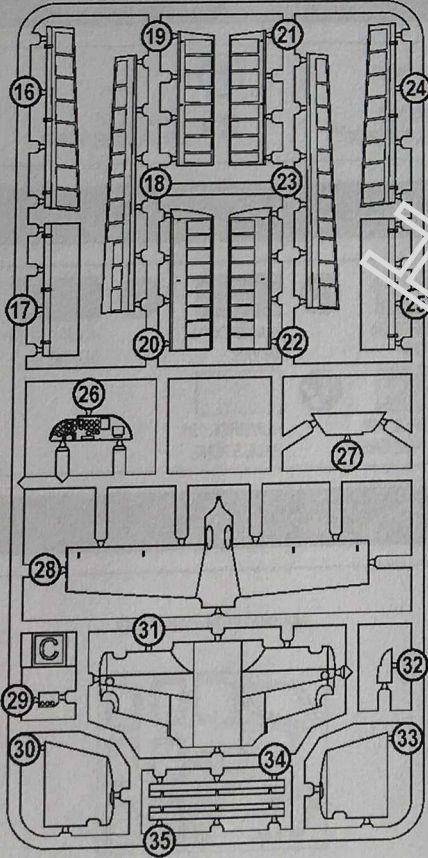
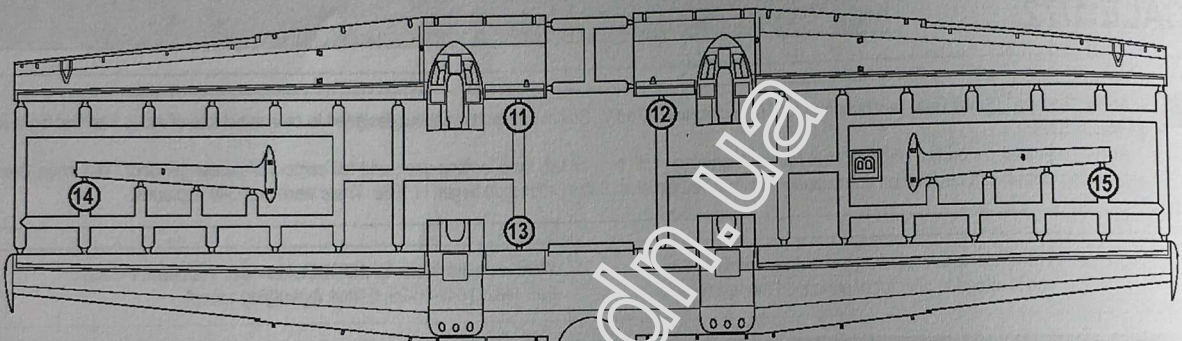
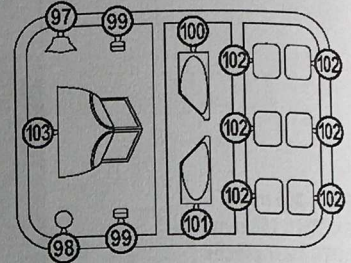
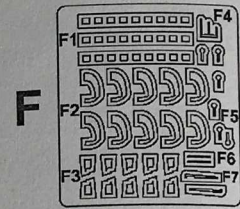
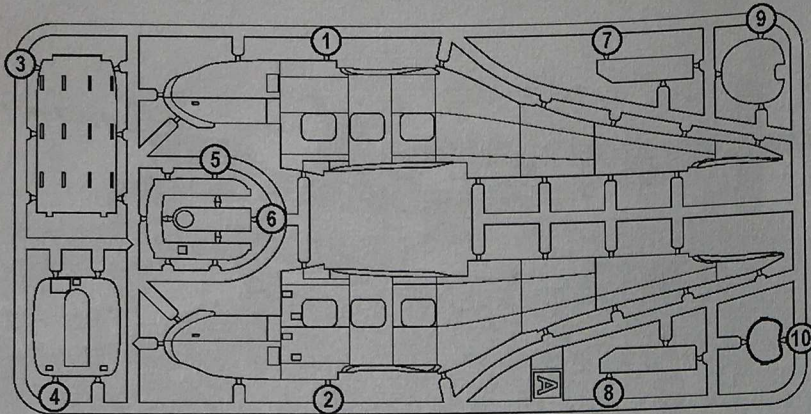




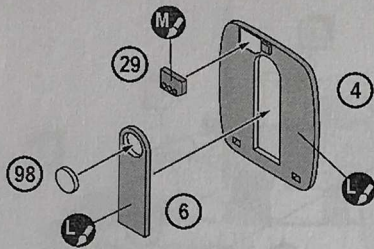
COMPLETE SET

237 DETAILS FOR ASSEMBLY OF ONE MODEL

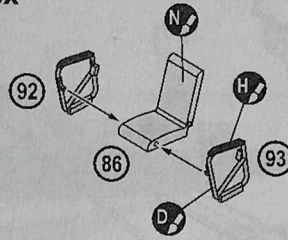
 PARTS NOT FOR USE



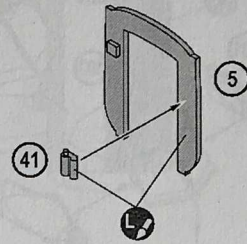
1 4 6 29 98



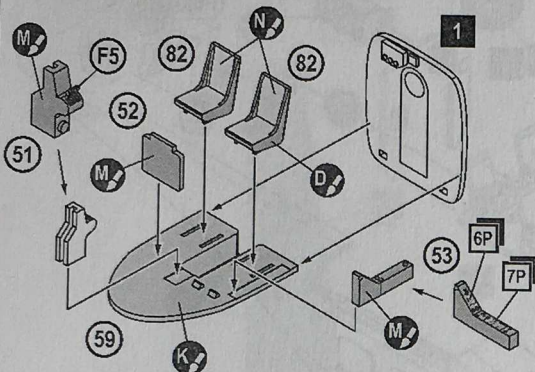
2 6x 86 6x 92 6x 93
6x



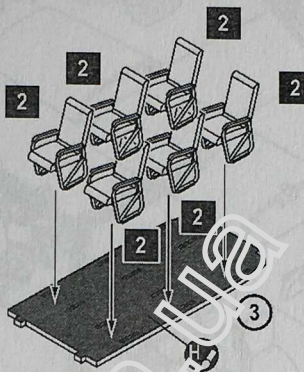
3 5 41



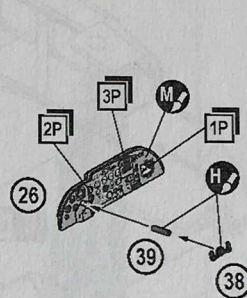
4 51 52 53 59 2x 82 5x F5 1



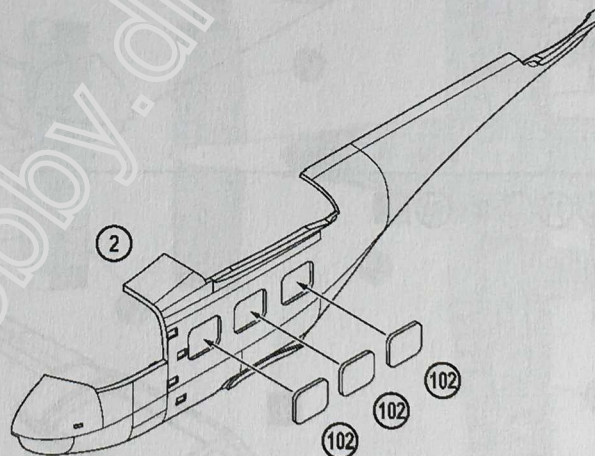
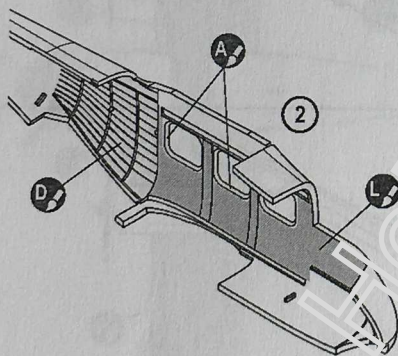
5 3 6x 2



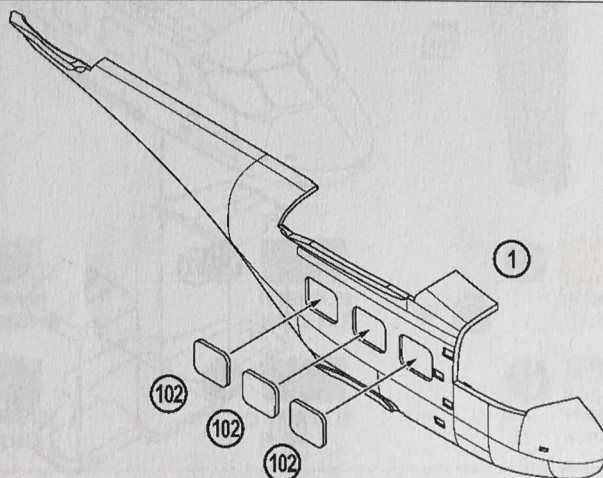
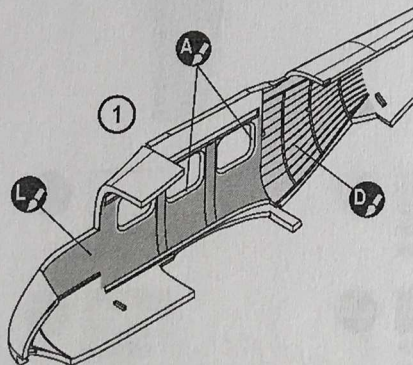
6 26 38 39



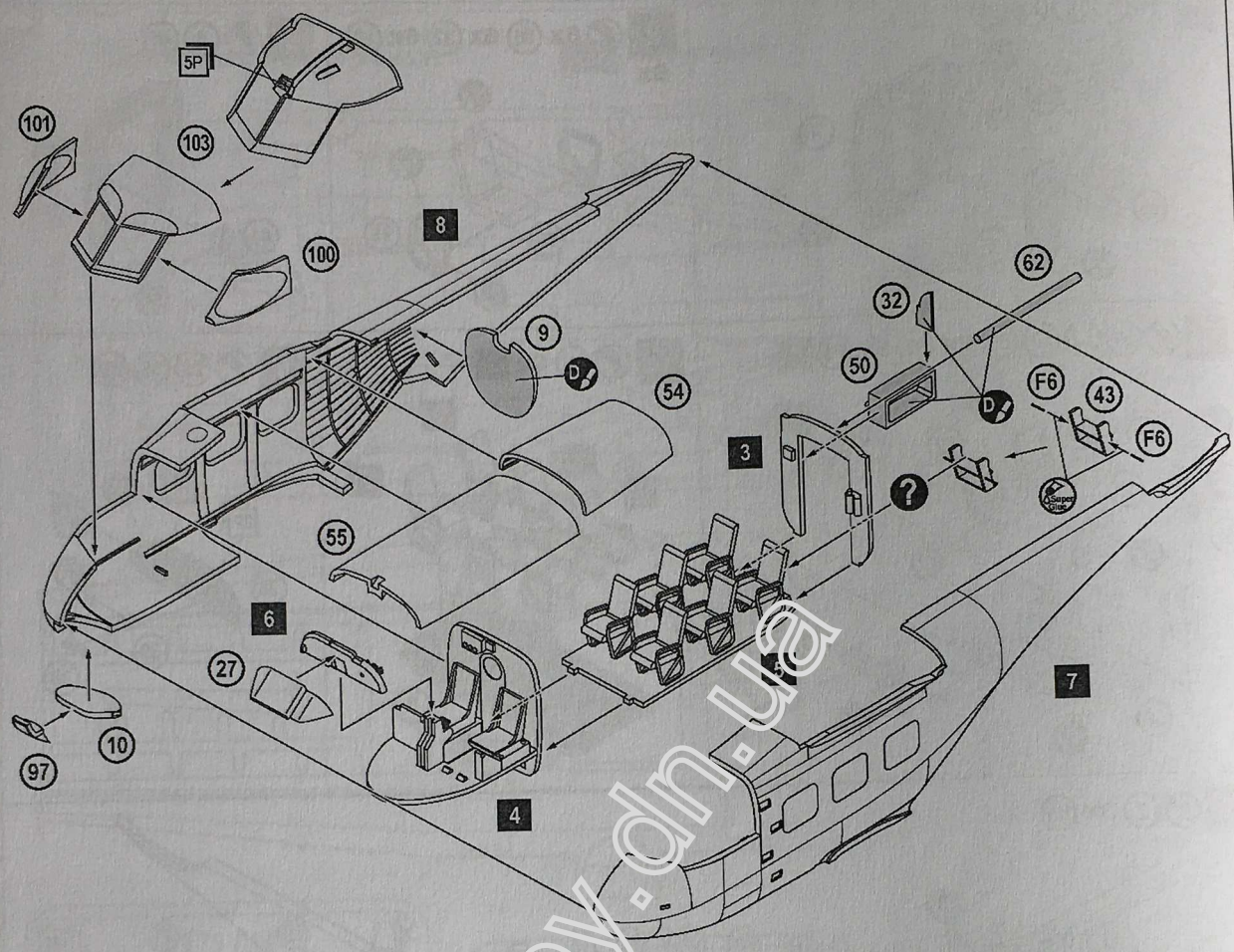
7 2 3x 102



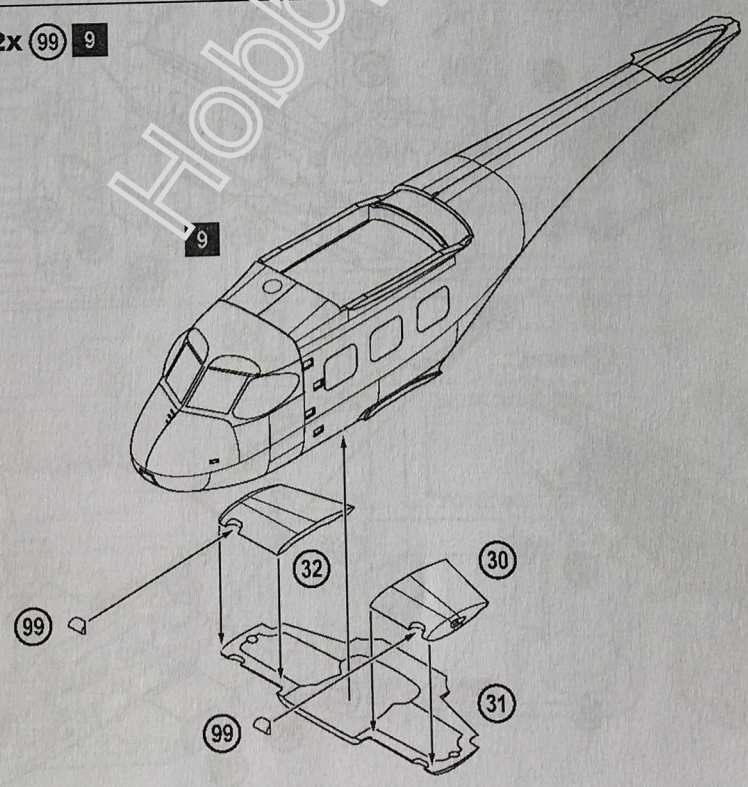
8 1 3x 102




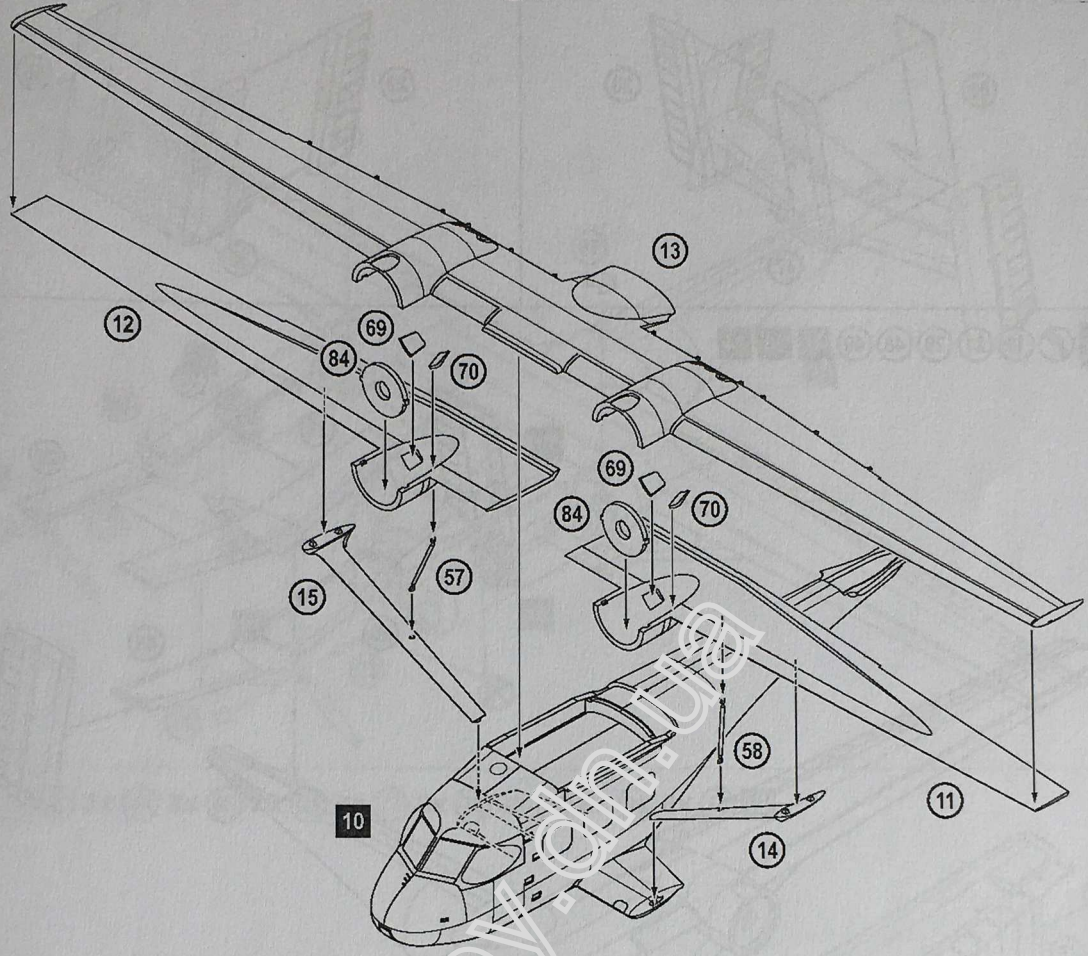
9 9 10 27 32 43 50 54 55 62 97 100 101 103 2x F6 3 4 5 6 7 8



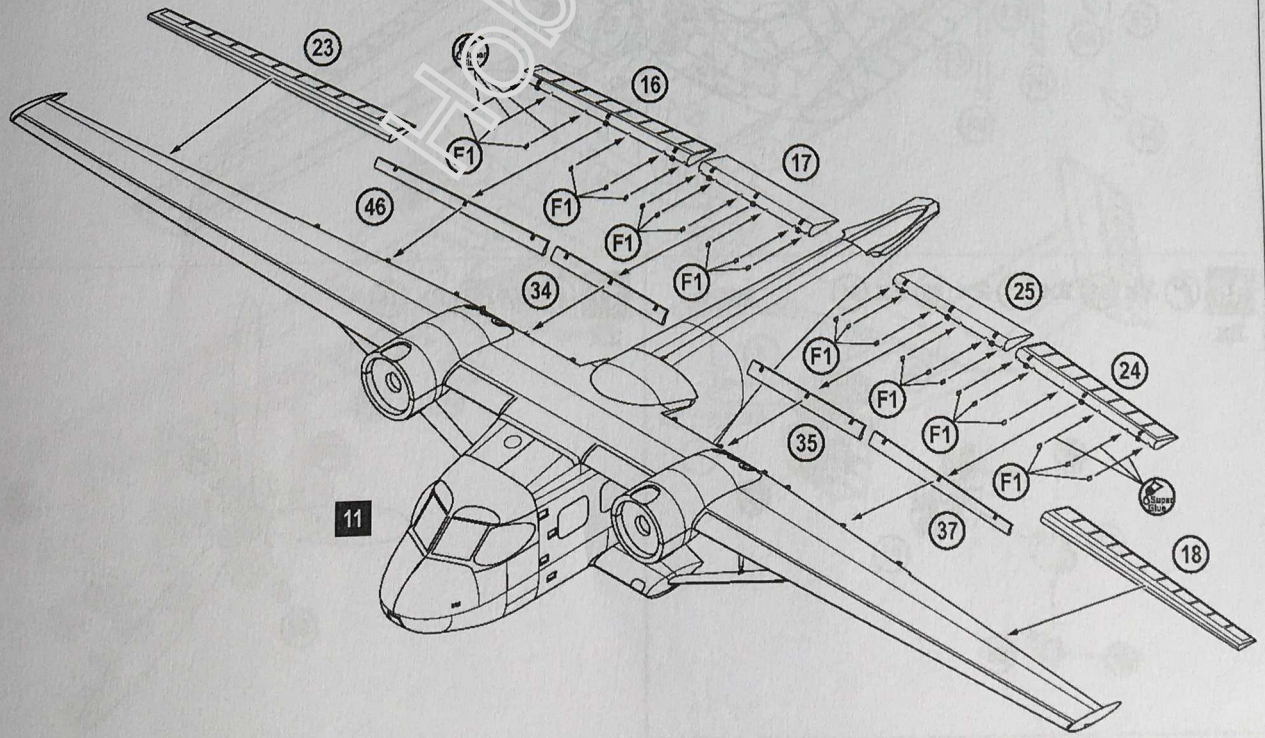
10 30 31 32 2x 99 9



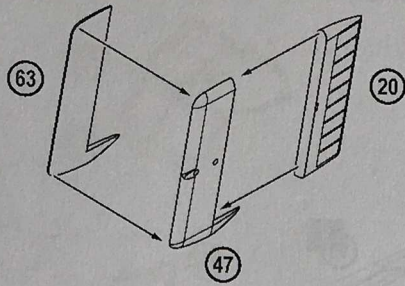
11  11 12 13 14 15 57 58 2x 69 2x 70 2x 84 10



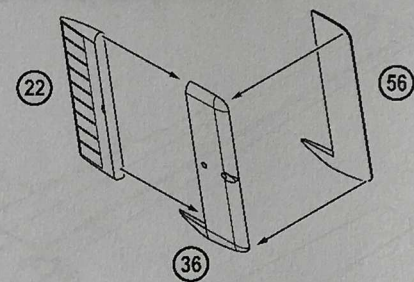
12  16 17 18 23 24 25 34 35 37 46 2x 47 11



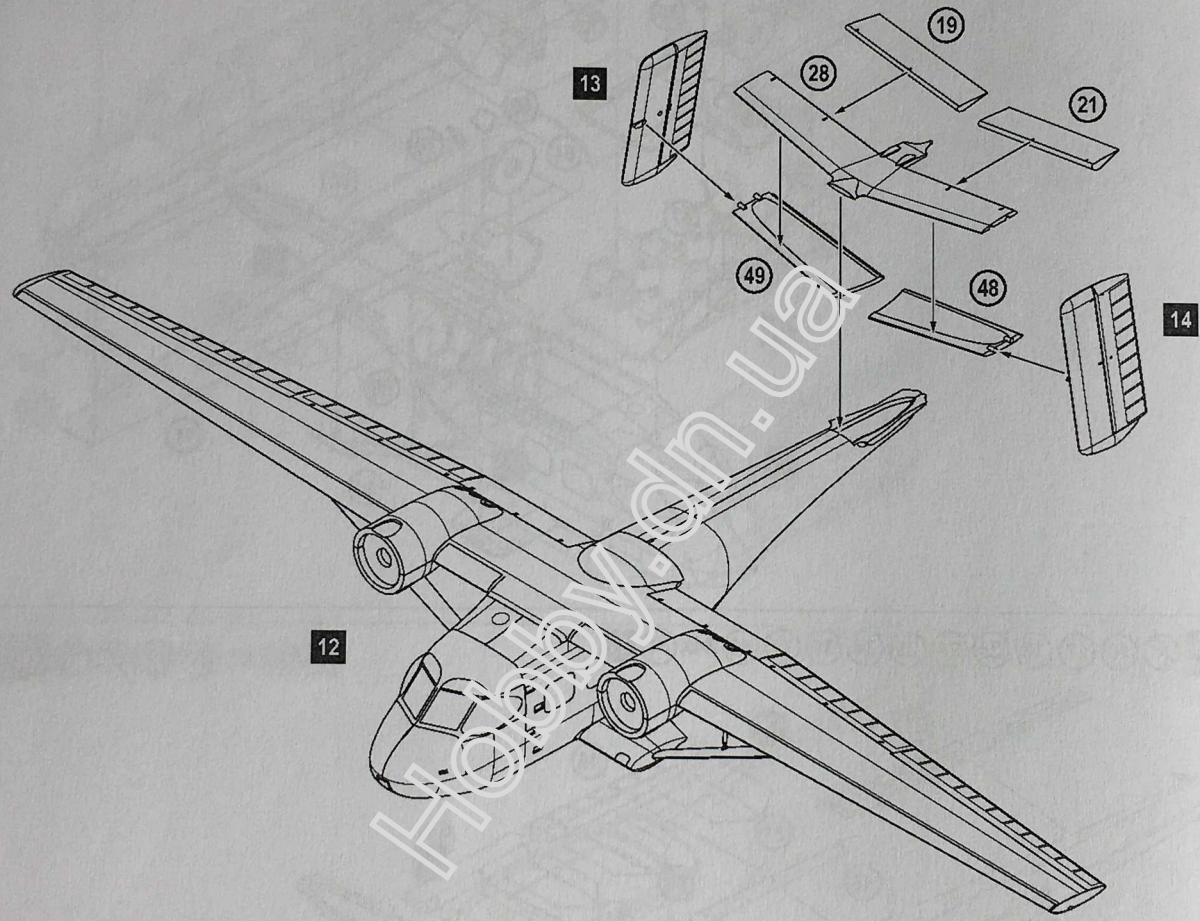
13 (63) (20) (47) (63)



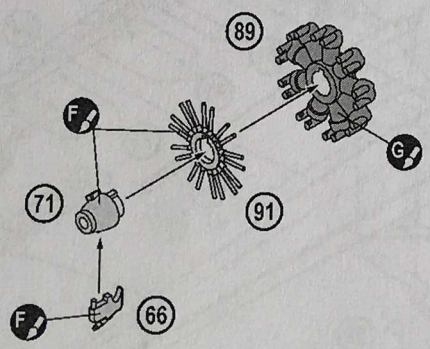
14 (22) (36) (56)



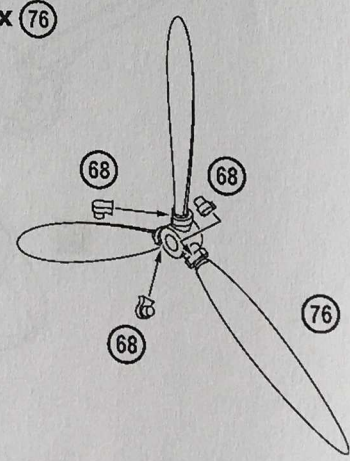
15 (19) (21) (28) (48) (49) (12) (13) (14)



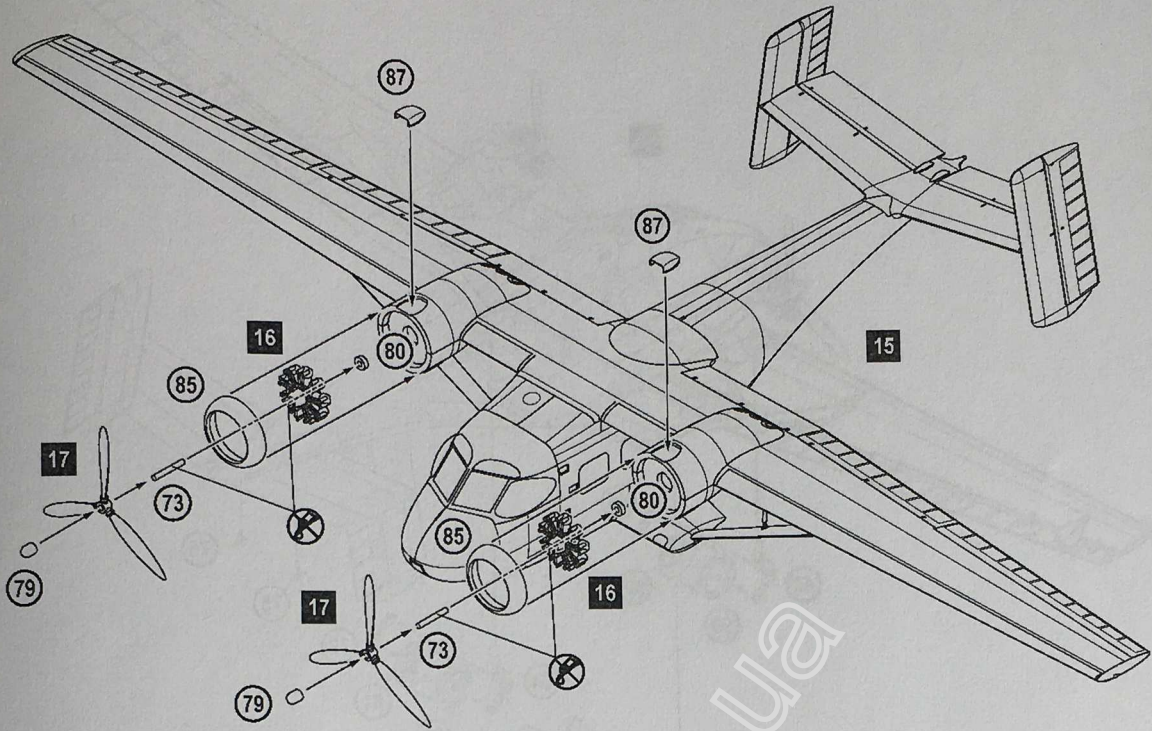
16 2x (66) 2x (71) 2x (89) 2x (91)
2x



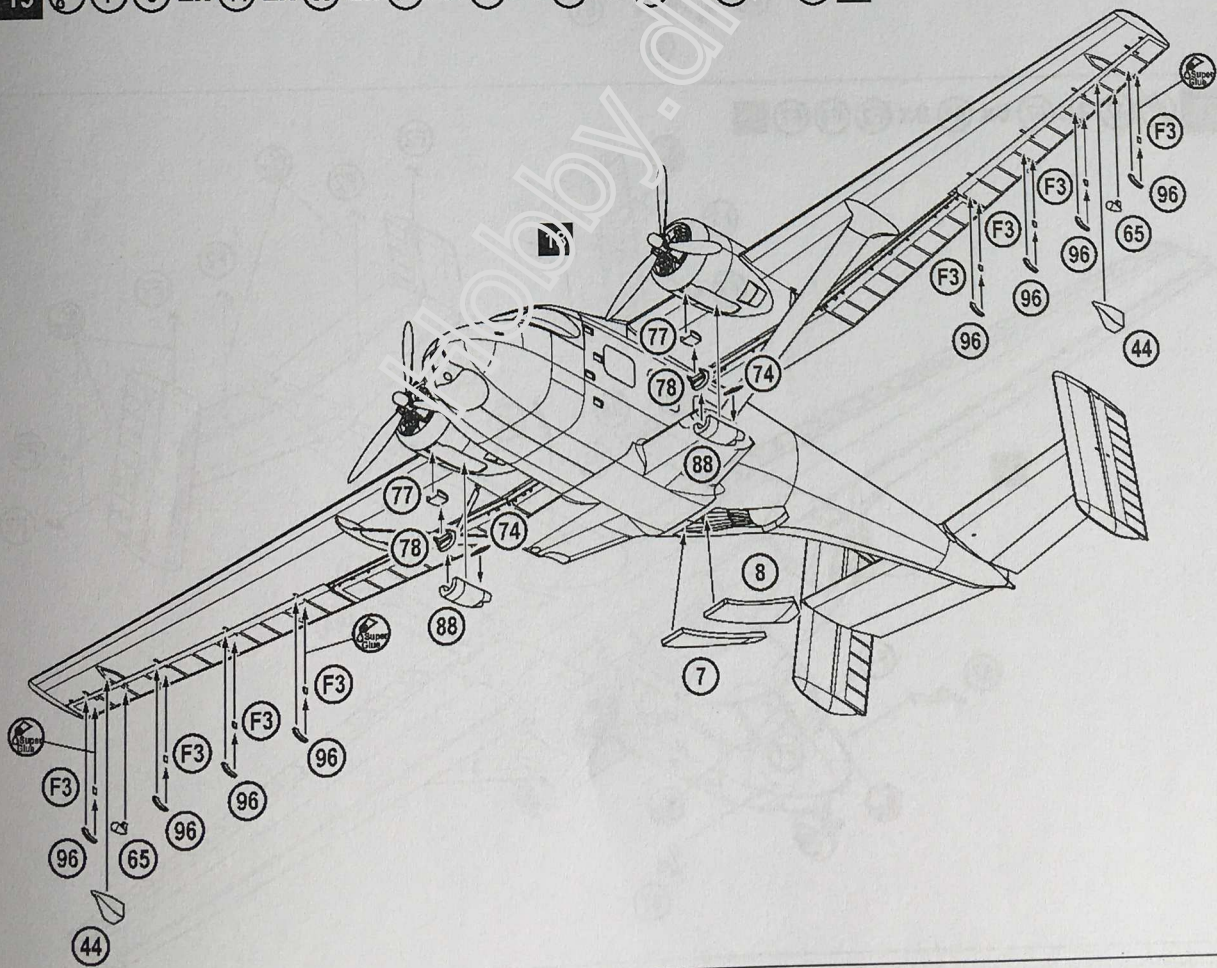
17 6x (68) 2x (76)
2x



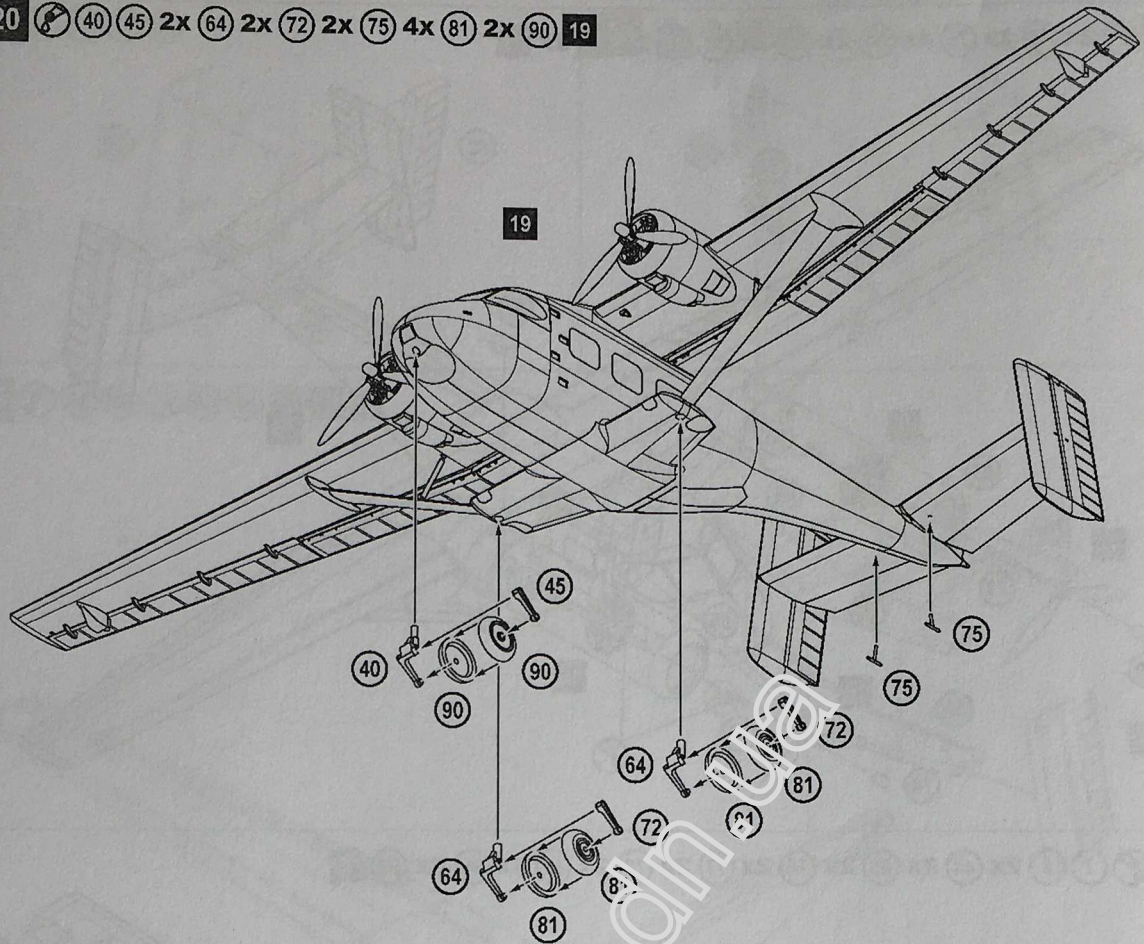
18 2x 73 2x 79 2x 80 2x 85 2x 87 15 2x 16 2x 17



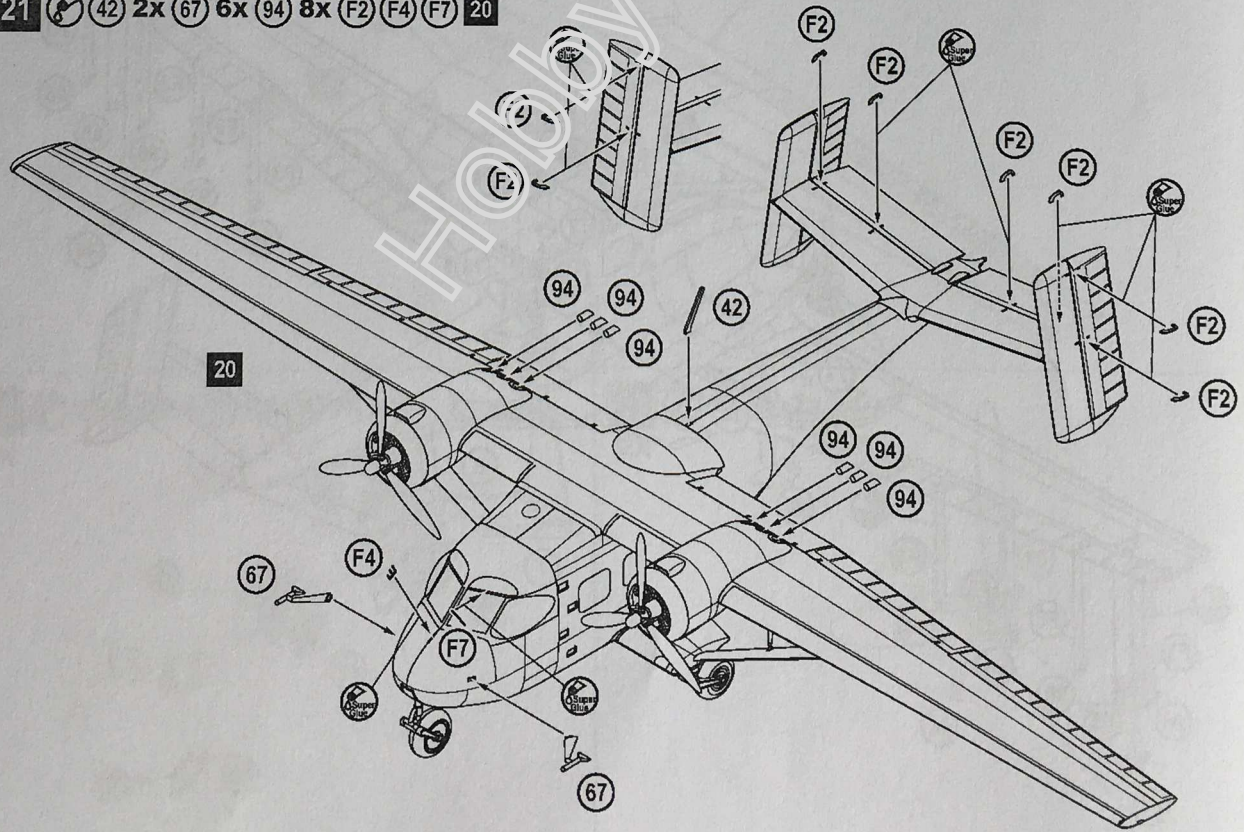
19 7 8 2x 44 2x 65 2x 74 2x 77 2x 78 2x 88 3x 96 3x F3 18



20 40 45 2x 64 2x 72 2x 75 4x 81 2x 90 19



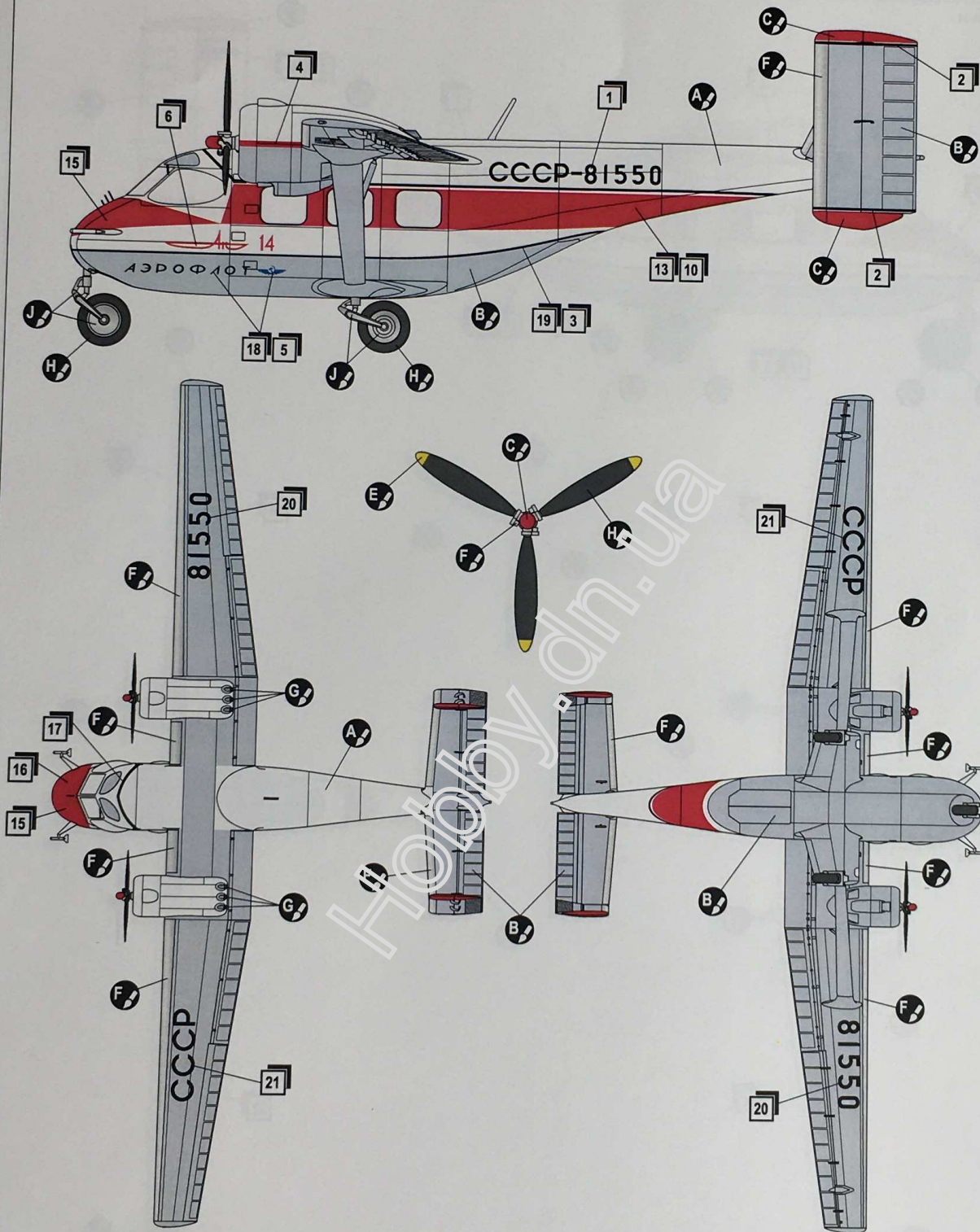
21 42 2x 67 6x 94 8x F2 F4 F7 20

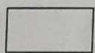




THE SCHEME OF COLOURING

Antonov An-14



A 
HUMBROL 22
WHITE

B 
HUMBROL 40
PALE GREY

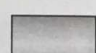
C 
HUMBROL 19
RED

E 
HUMBROL 24
YELLOW

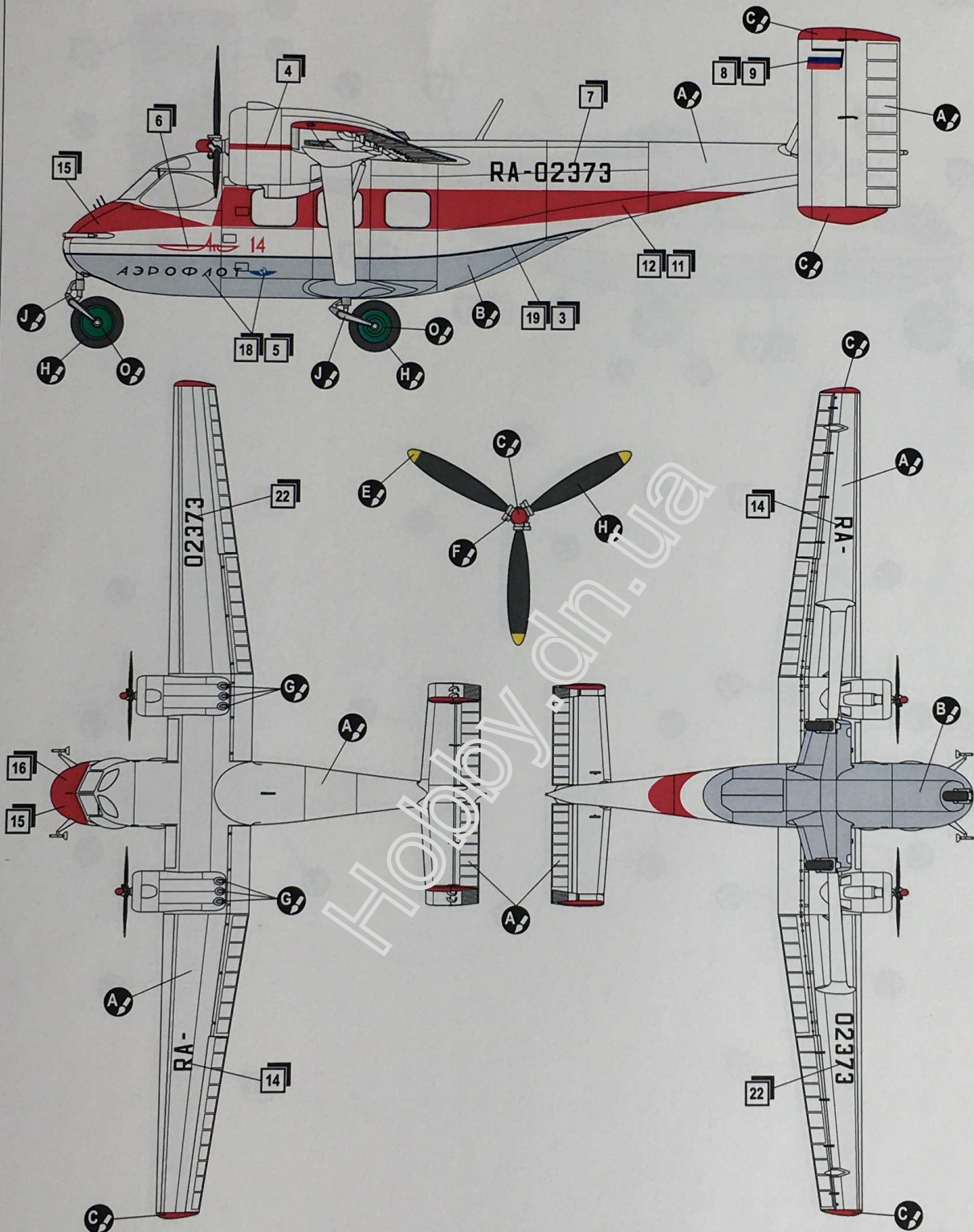
F 
HUMBROL 11
SILVER

G 
HUMBROL 53
GUNMETAL

H 
HUMBROL 33
BLACK

J 
HUMBROL 56
ALUMINIUM

Antonov An-14



A HUMBROL 22
WHITE

B HUMBROL 40
PALE GREY

C HUMBROL 19
RED

E HUMBROL 24
YELLOW

G HUMBROL 53
GUNMETAL

H HUMBROL 33
BLACK

J HUMBROL 56
ALUMINIUM

O HUMBROL 101
MID GREEN