

'97 FORD F-150 4x4 PICKUP



am
1

1/25 SCALE MODEL KIT

READ THIS BEFORE YOU BEGIN

Look over this instruction sheet carefully before you begin building. Follow the assembly instructions and "TEST FIT" the parts without cementing. This will familiarize you with the location of parts.

For best results, the various sub-assemblies and components should be painted before any "CHROME" parts are attached. For example: When attaching "NON CHROME" engine parts, it is best to cement them in place and paint as a unit.

AMT® kits are molded from the finest high-impact styrene plastic. Use only paint and cement made for styrene. Trim excess plastic from parts before

joining. When attaching "CHROME" or painted parts, scrape plating or paint away where parts are to be joined. Cement all parts unless otherwise indicated in the instructions. Use just enough cement to join parts and be careful not to smear cement on exposed surfaces.

Built according to the instructions on this sheet, you should have no trouble assembling your kit. Just follow the numbers as the instructions are numbered in order of assembly. "CHROME" PARTS ARE INDICATED BY (C).

1 • Assembly sequence
• Ordre de montage

1 • Assembly sequence (Plated)
• Ordre de montage (Chromée)

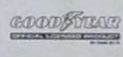
37 • Part number
• Numéro de la pièce

07 • Apply decal
• Coller le décalque

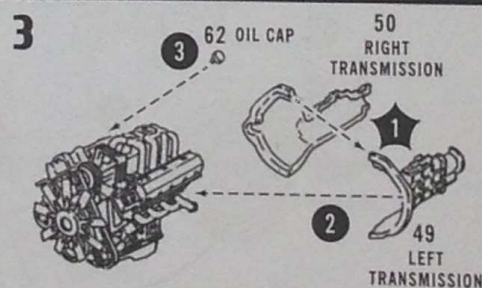
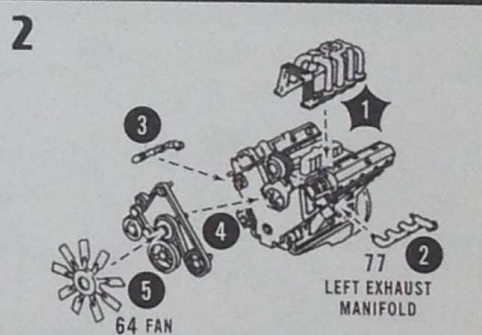
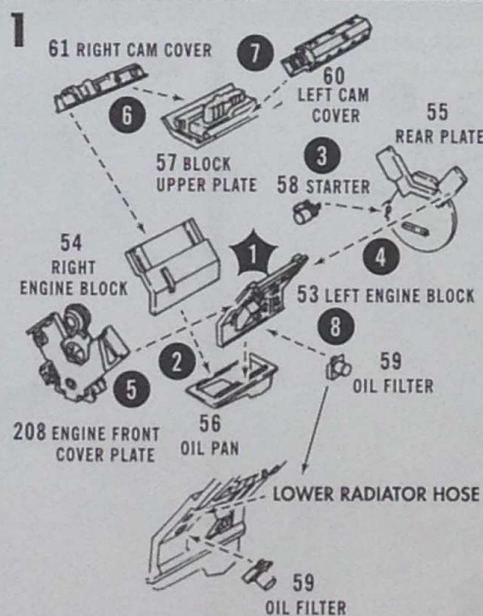
◀ • Other side
• Autre côté

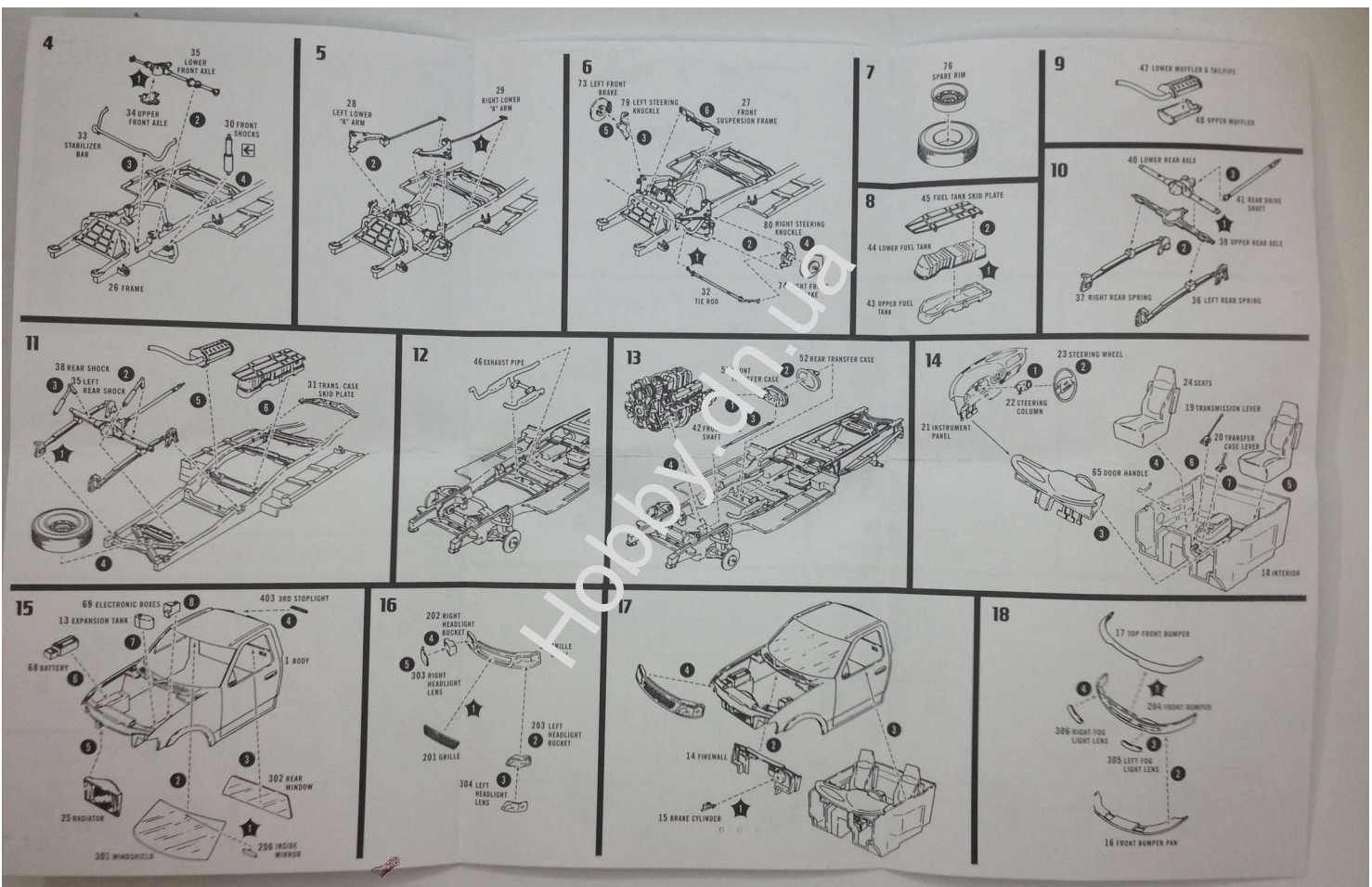
OX • Repeat several times
• Répéter plusieurs fois

✂ • Do not cement
• Ne pas coller



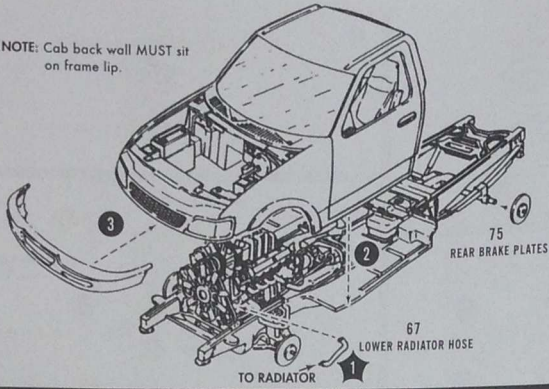
Ford Motor Company Trademarks and Trade Dress used under license to Round 2, LLC. Goodyear (and Winged Foot Design) and Blimp Design are trademarks of The Goodyear Tire & Rubber Company used under license by Round 2, LLC, South Bend, IN 46628. Copyright 2023 The Goodyear Tire & Rubber Company. AMT and design and ROUND 2 and design are trademarks of Round 2, LLC. ©2023 Round 2, LLC, South Bend, IN 46628 USA. Product and packaging designed in the USA. Made in China. All rights reserved.



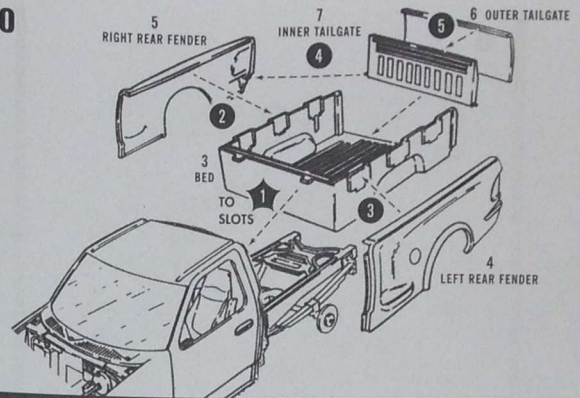


19

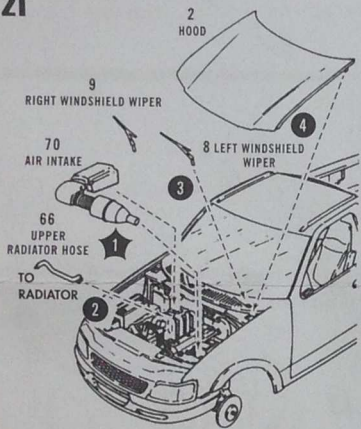
NOTE: Cab back wall MUST sit on frame lip.



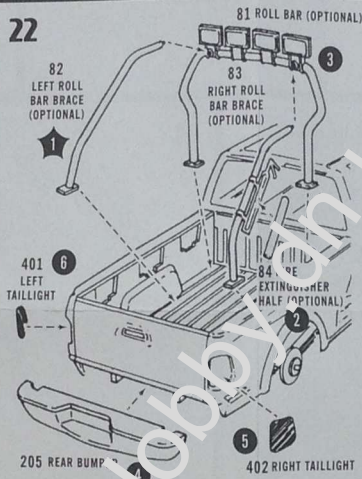
20



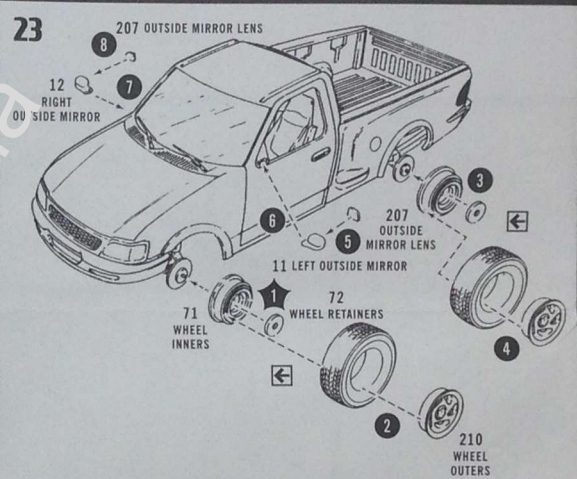
21



22



23



DECAL PLACEMENT

