

StuG III Ausf. G

LATE PRODUCTION
W/FULL INTERIOR



JASON

Border

ドイツ軍 III号突撃砲G型後期生産型 w/フルインテリア



JASON 2021



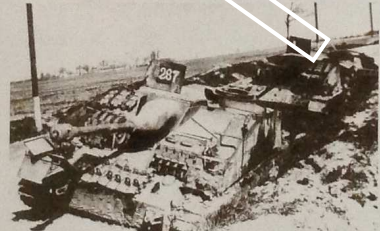
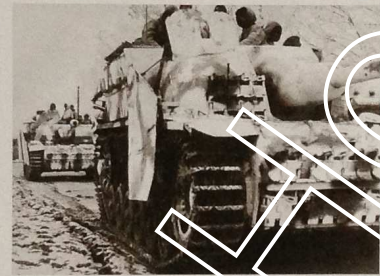
PREMIERE
GIFT
PANZER BADGE



Designed by
T-ReX Studio
in China

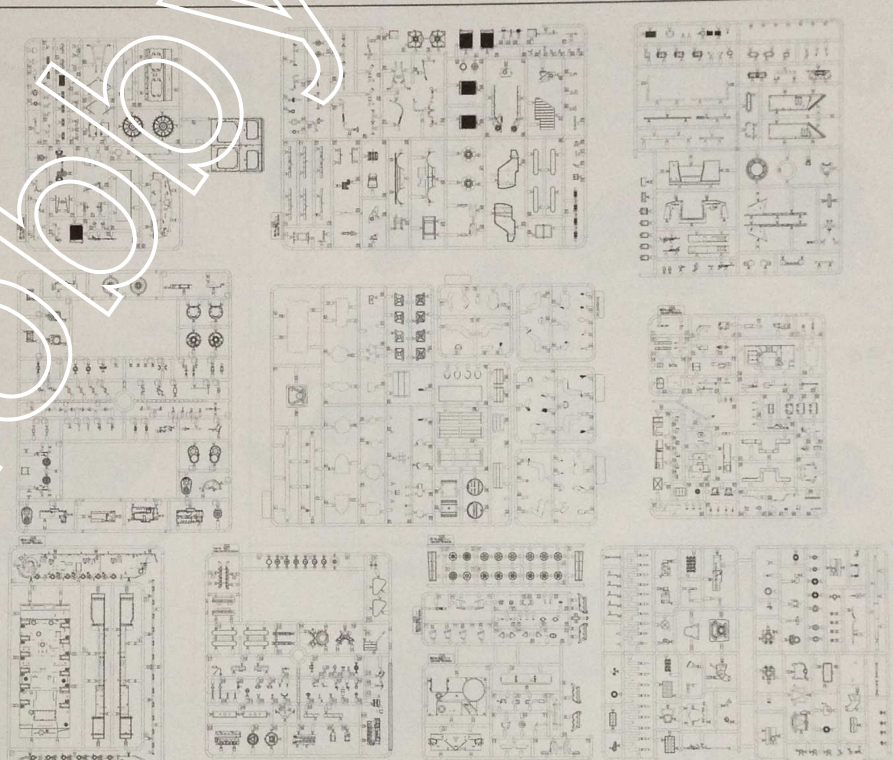
1/35
SCALE
BT-020

- ◆ PE PARTS INCLUDED
- ◆ SS SCHEMES OF MARKINGS
- ◆ CONTAINS 4 TANK CREWS
- ◆ METAL GUN BARREL & SHELLS INCLUDED
- ◆ PACKAGES, HELMETS AND OTHER ACCESSORIES ARE INCLUDED



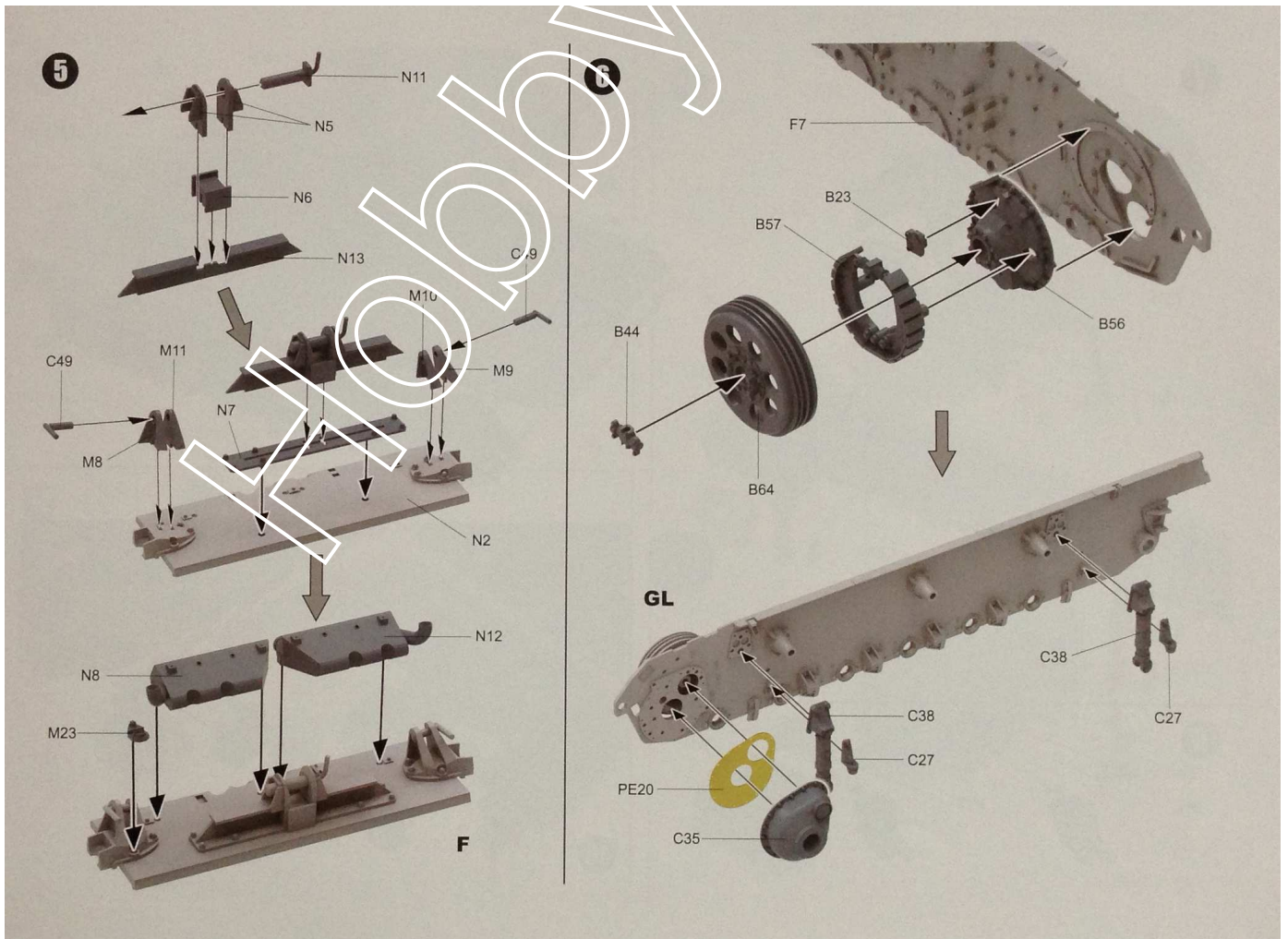
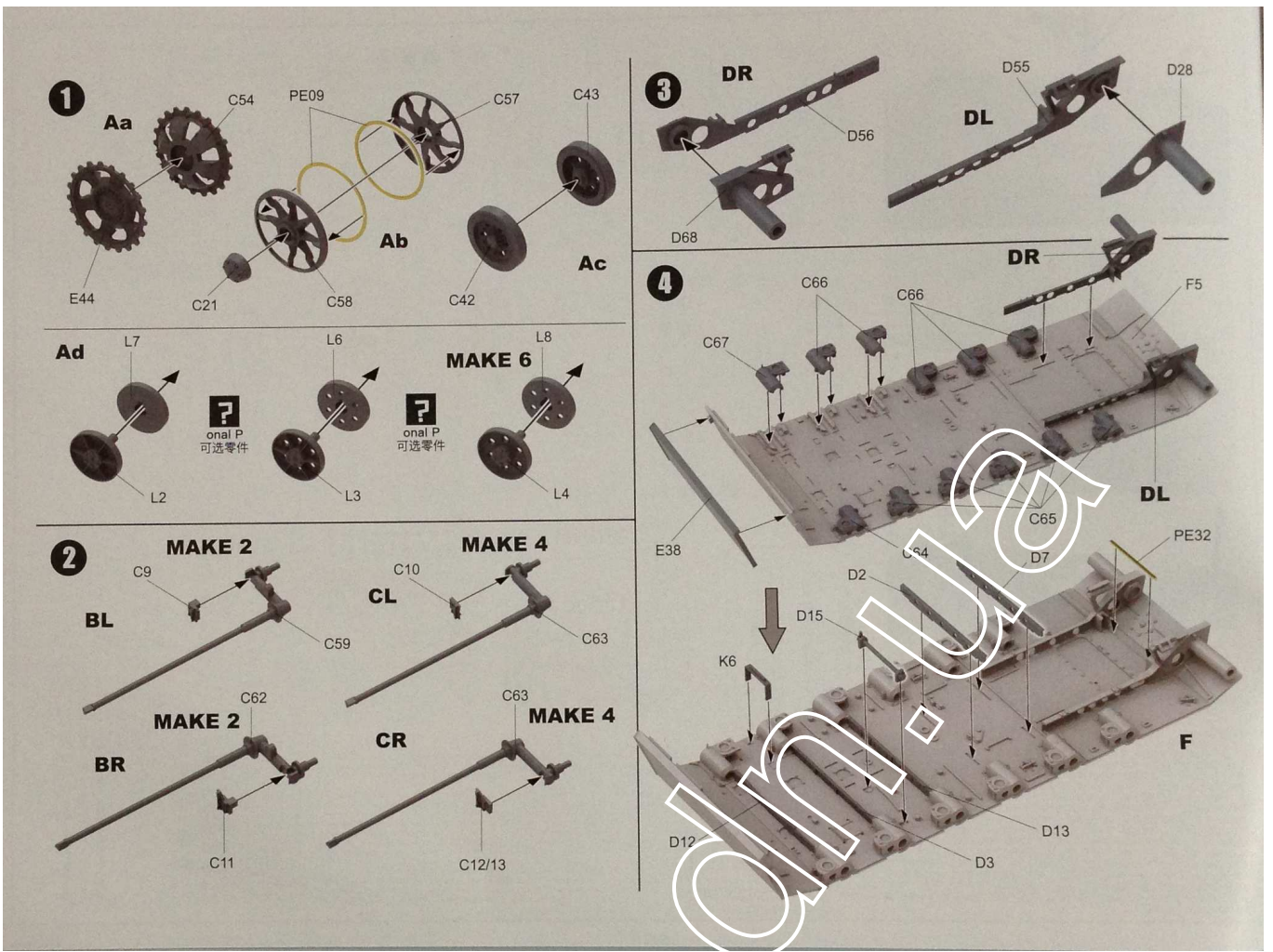
History | 历史介绍

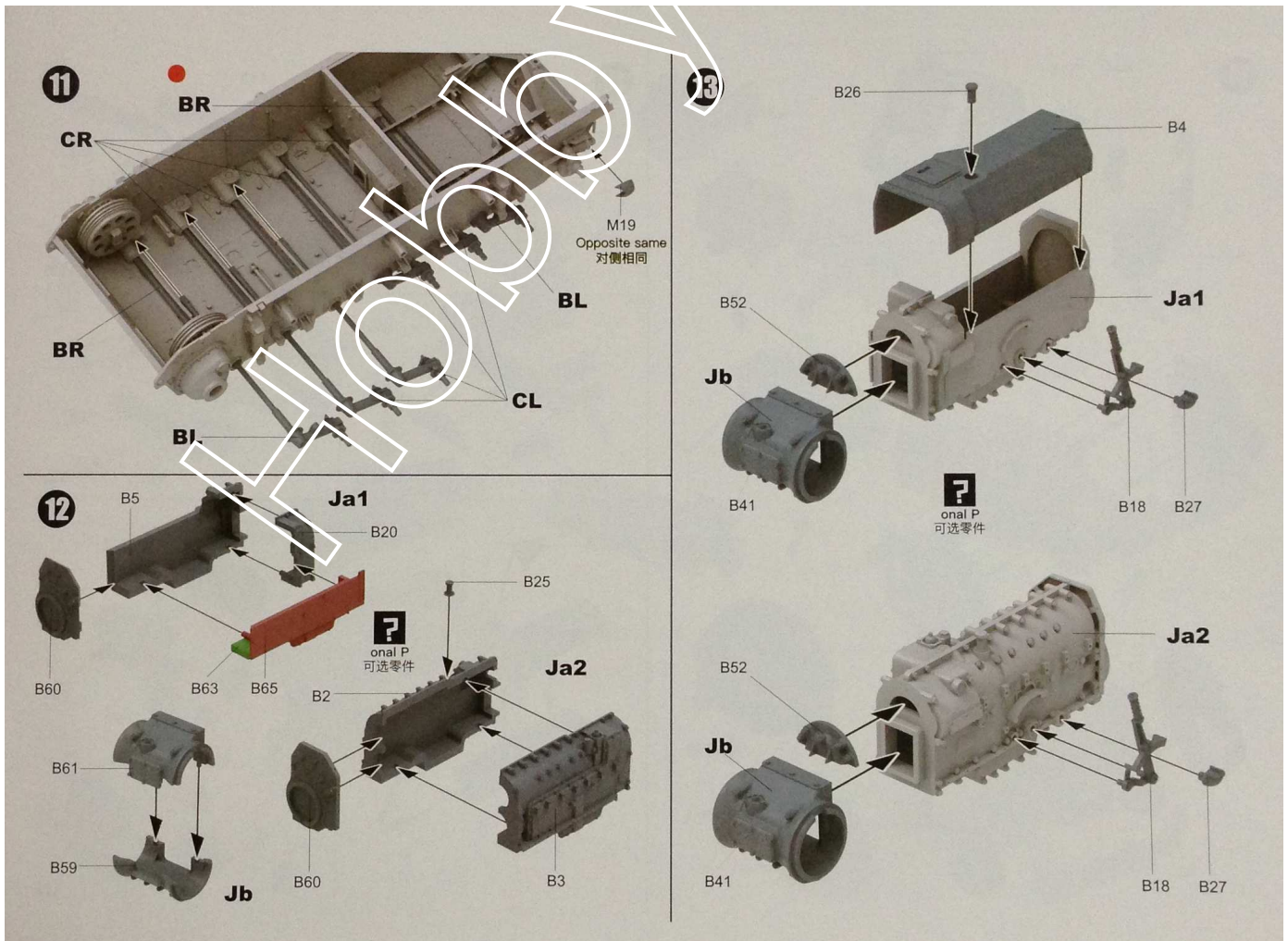
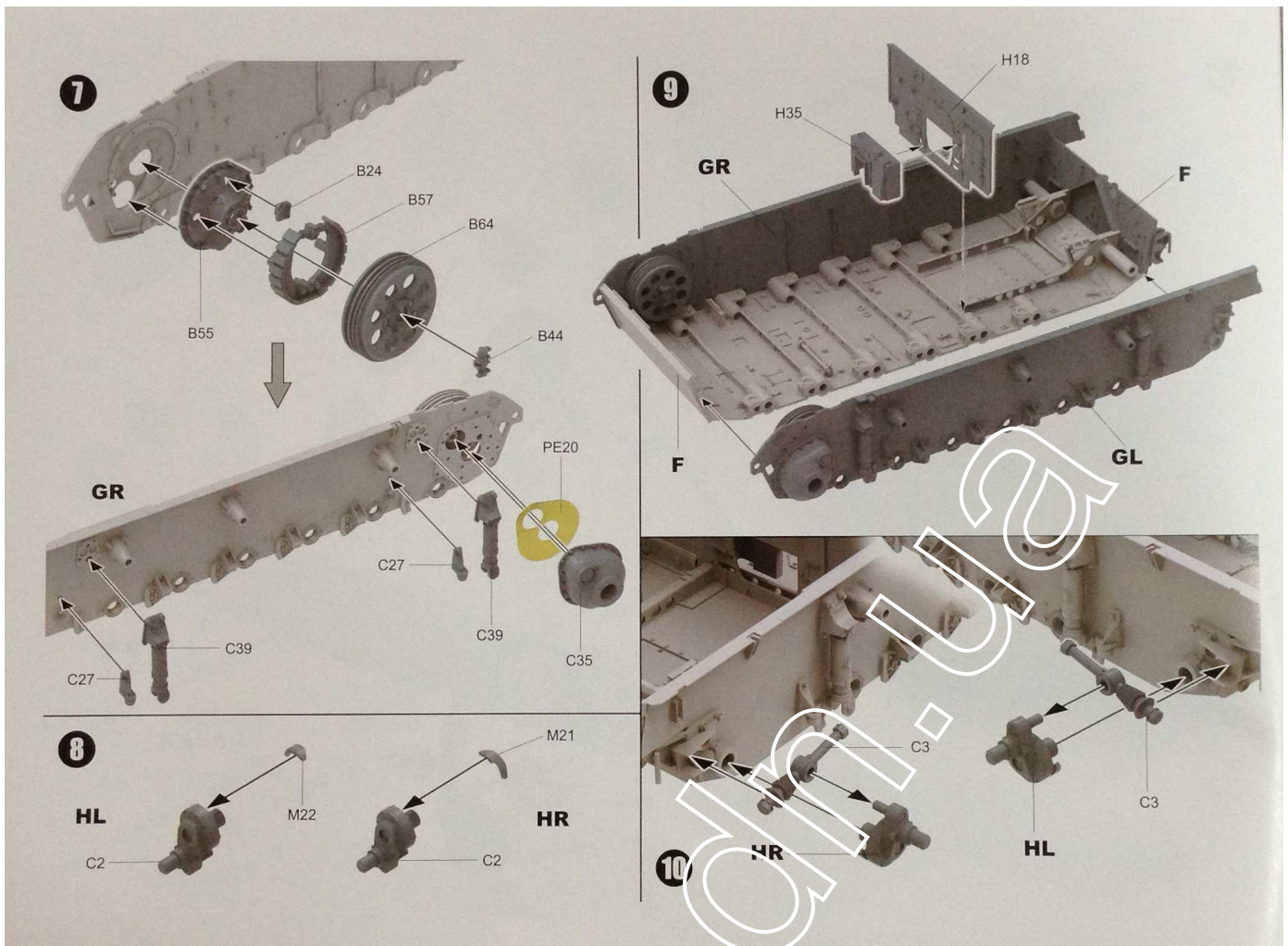
三号突击炮G型是最后一款三号突击炮，也是产量最高的一款也是生产时间最长，产量最大的一款。三号突击炮是德军唯一一款量产过方的装甲战车。三号突击炮G型由1942年12月开始生产，持续到1945年的3月。1943年生产达到高峰，这一年有4013辆G型出厂。1944年改装了173辆，总产量7720辆。由阿尔斯特和MAG负责生产。三号突击炮G型的生产过程中，新的设计改进一直没有停止。G型初期生产型为了适应新的战术需求，将炮塔后部移除改成了指挥塔，取消了炮塔上的观察窗，部分车辆安装了三号装甲侧射发射器，中期型为了增加防护，改变了附加装甲安装方式，改为一体化80mm装甲。为了防御磁性武器的攻击，装甲表面涂了一层防锈漆。但是1944年9月后，德军取消了这一生产工序，原因是盟军一直没有使用磁性反坦克武器，而德军装甲部队增加了生产时间，又增加了复杂性和生产时间，使用了加厚的40mm全防弹装甲。1943年中后期，三号突击炮炮塔后部加装装甲板并进一步加厚装甲，很多型号的G型被赋予了重新加大炮塔和装甲，一些数量的G型在炮塔地增加了改装，早期则加装上新型零件，造成了一定的影响。1943年9月到1944年3月出厂型号提供防磁装甲，方格装甲标准装甲。同时在装甲工厂方格装甲进行升级改造。还有一种被见到的作法是在引擎罩上增加附加装甲板或附加一些铁轨等物品。后期型号方格装甲改为一体式装甲板，炮塔前部的附加装甲防护性能，加装了一组机枪。在安装了备用履带，战斗室前部也采用了80mm一体式装甲，安装了反步兵的S-mine榴弹发射器和一批带有TV型防磁板的遥控机枪。

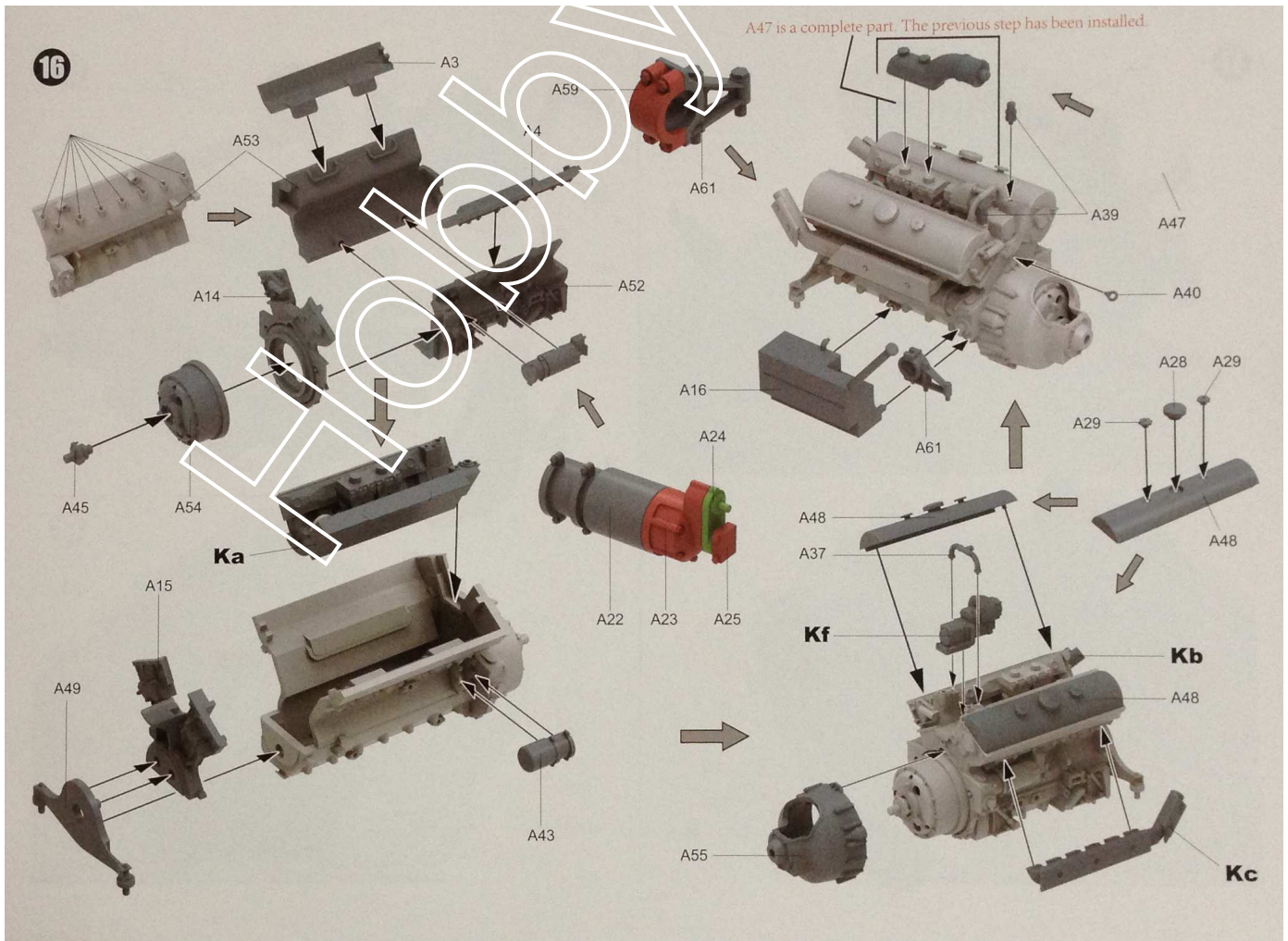
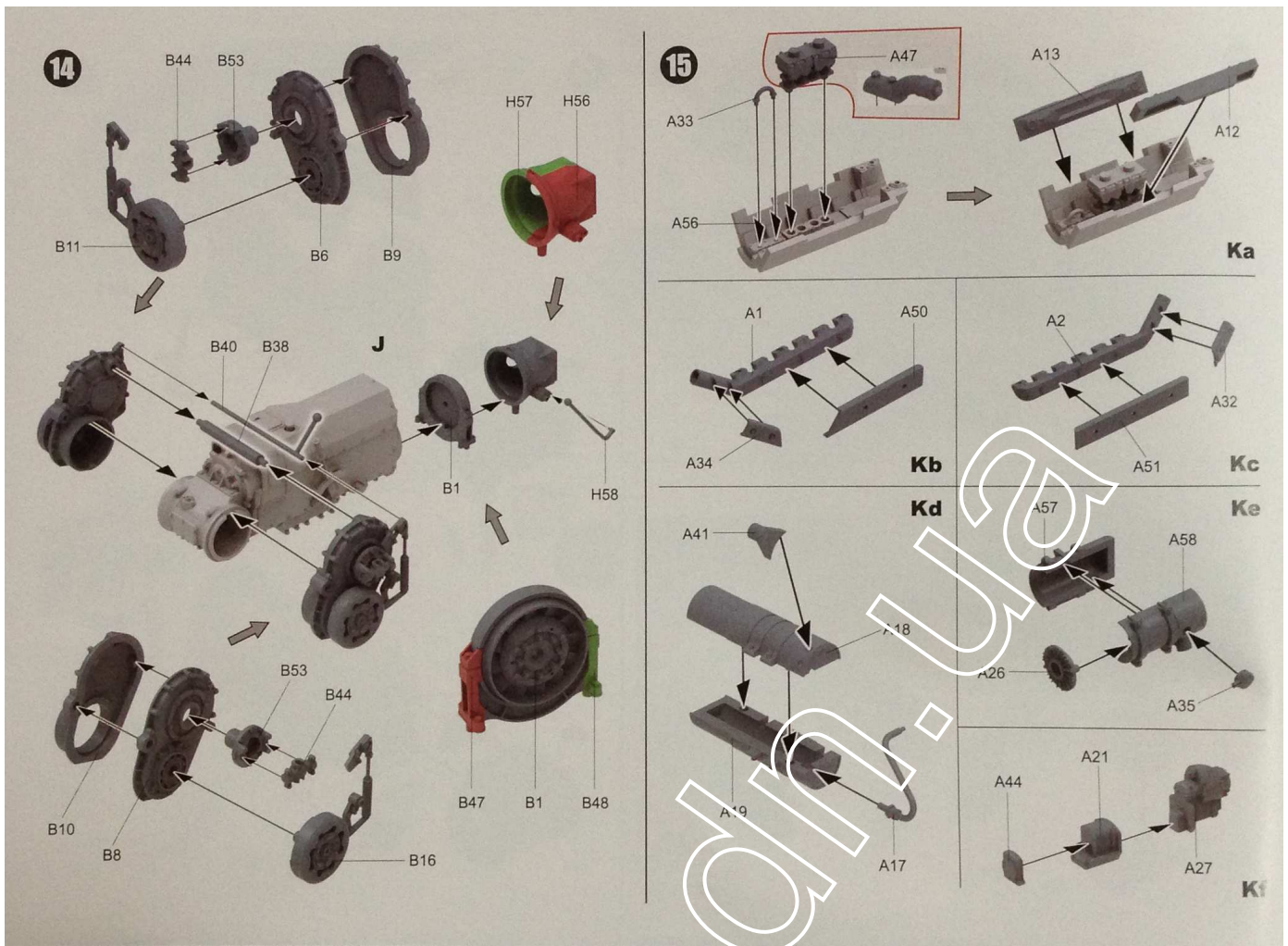


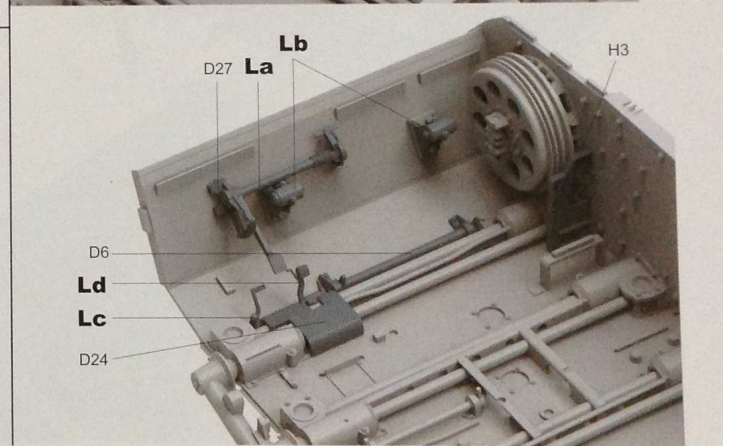
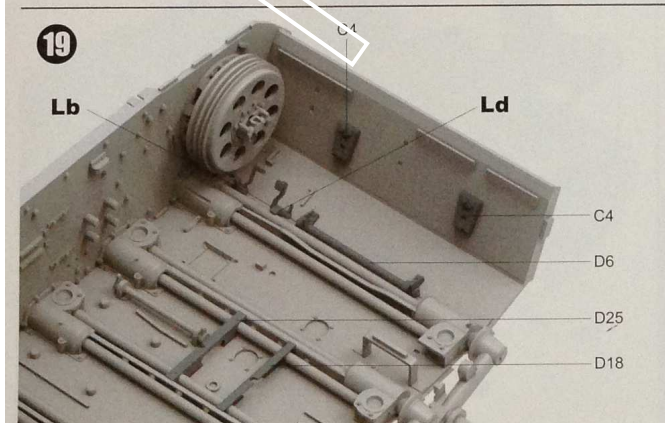
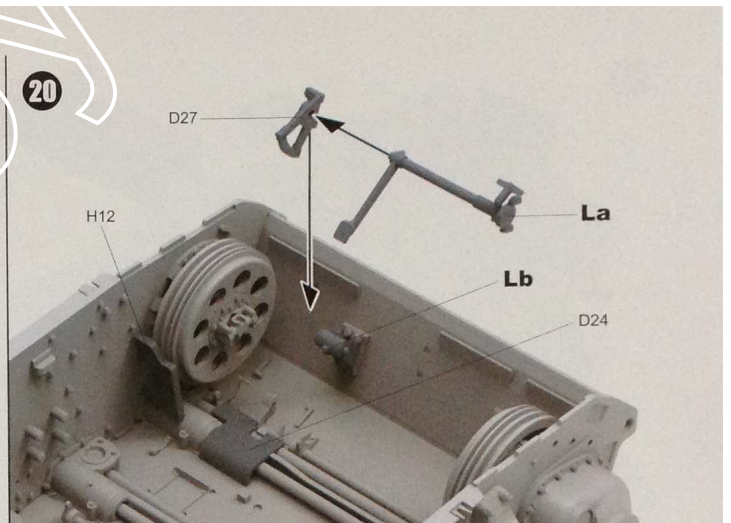
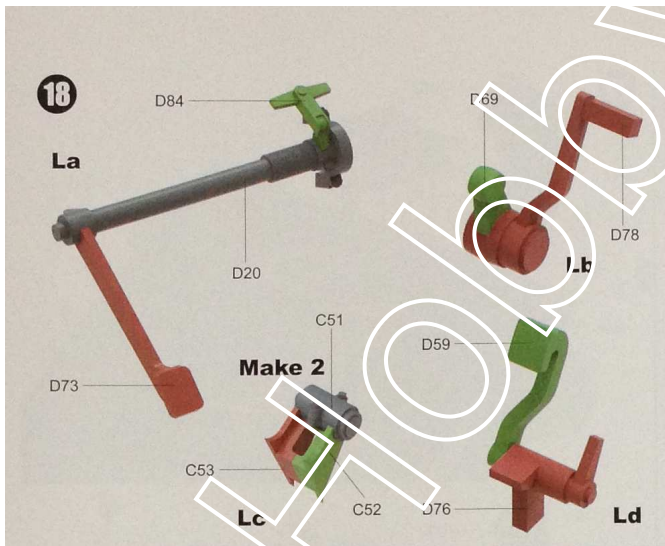
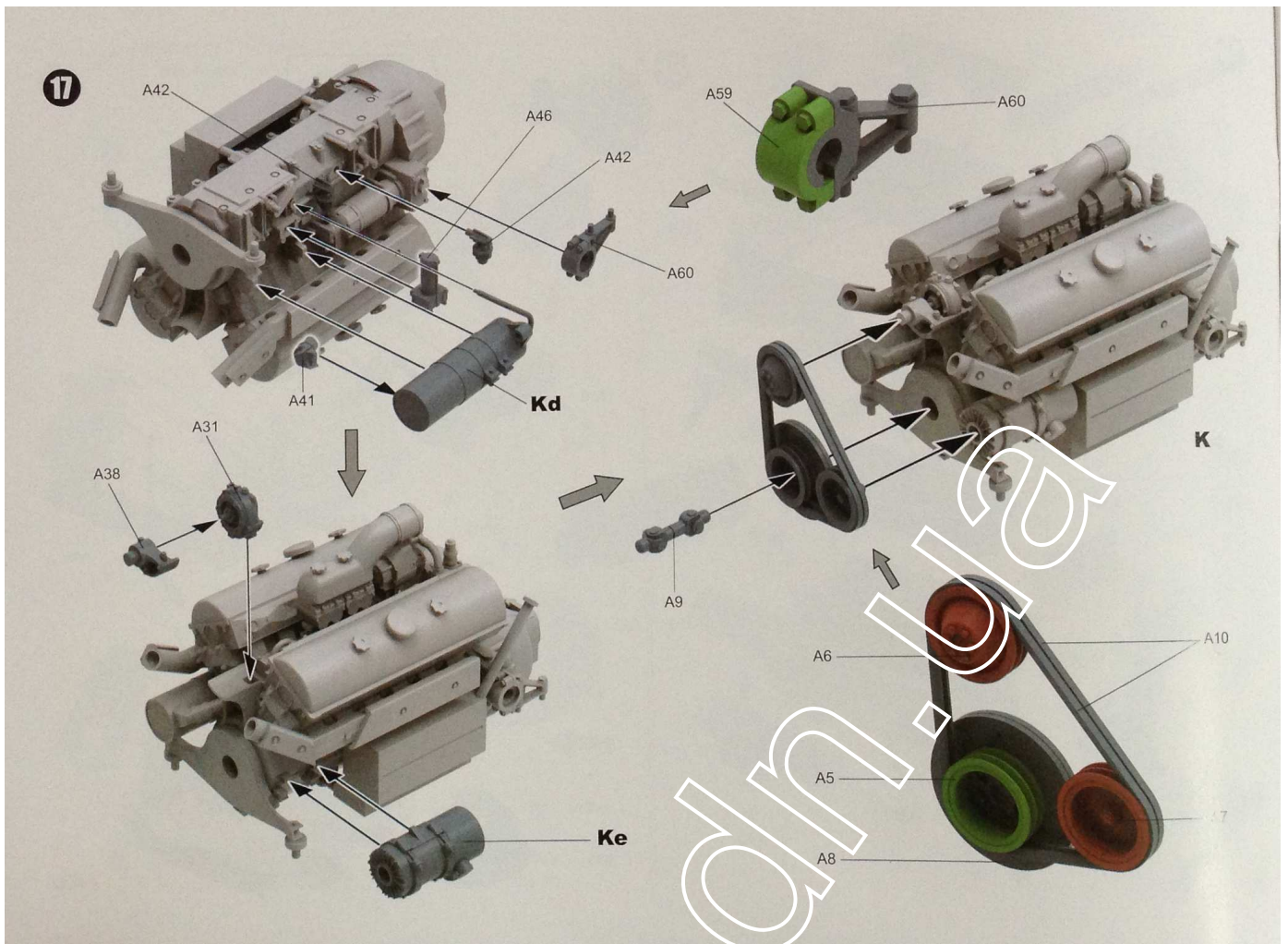
The StuG III Ausf. G was the last model of its kind. The StuG III was the only armored fighting vehicle of Nazi Germany to be produced in excess of 10,000. Production of the StuG III Ausf. G began in December 1942 and continued until March 1945. Production peaked in 1943, when 4,013 Ausf. Gs left the factory. 173 units were modified in 1944, for a total production of 7,720 units. Production was handled by Alstet and MAG.

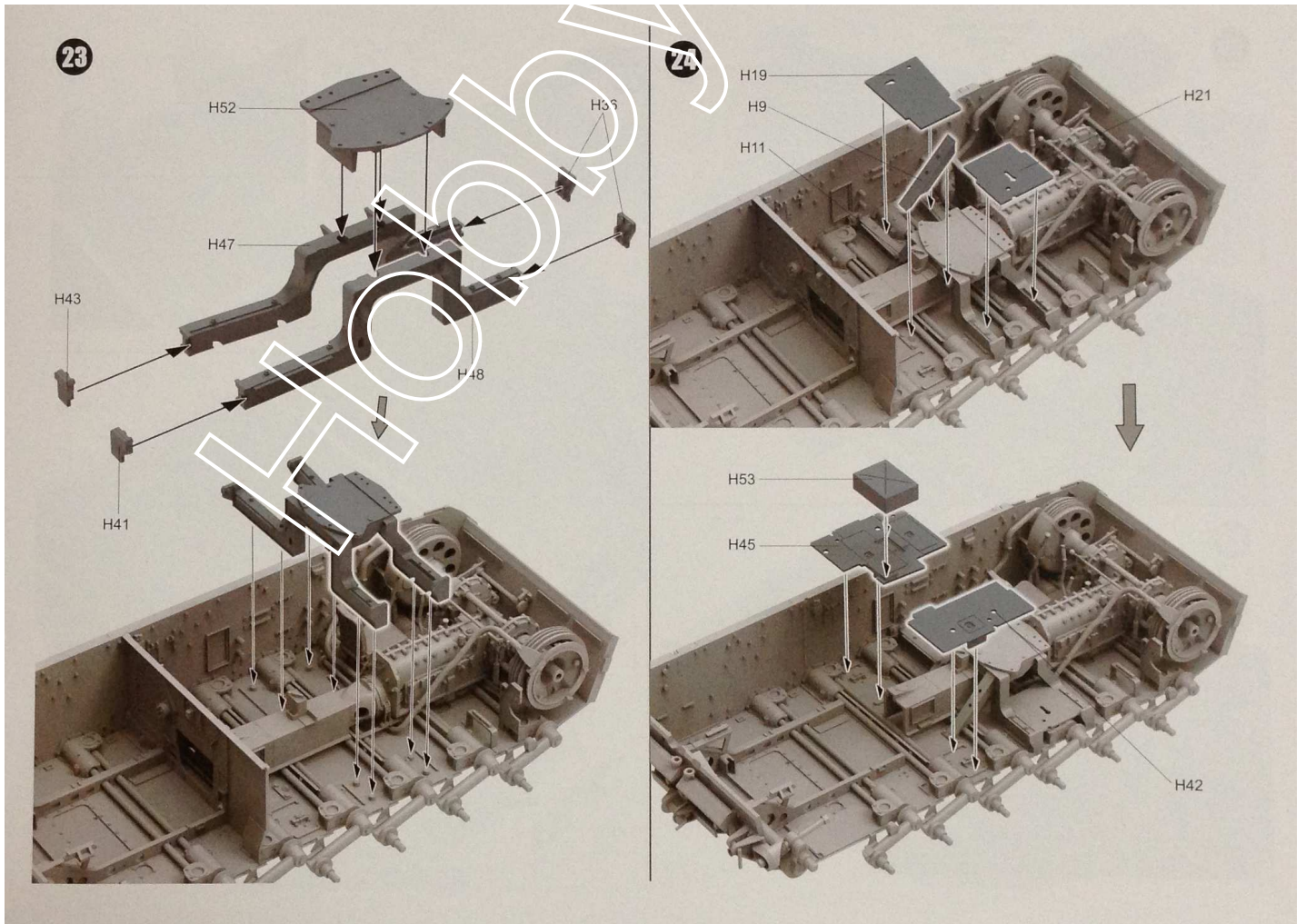
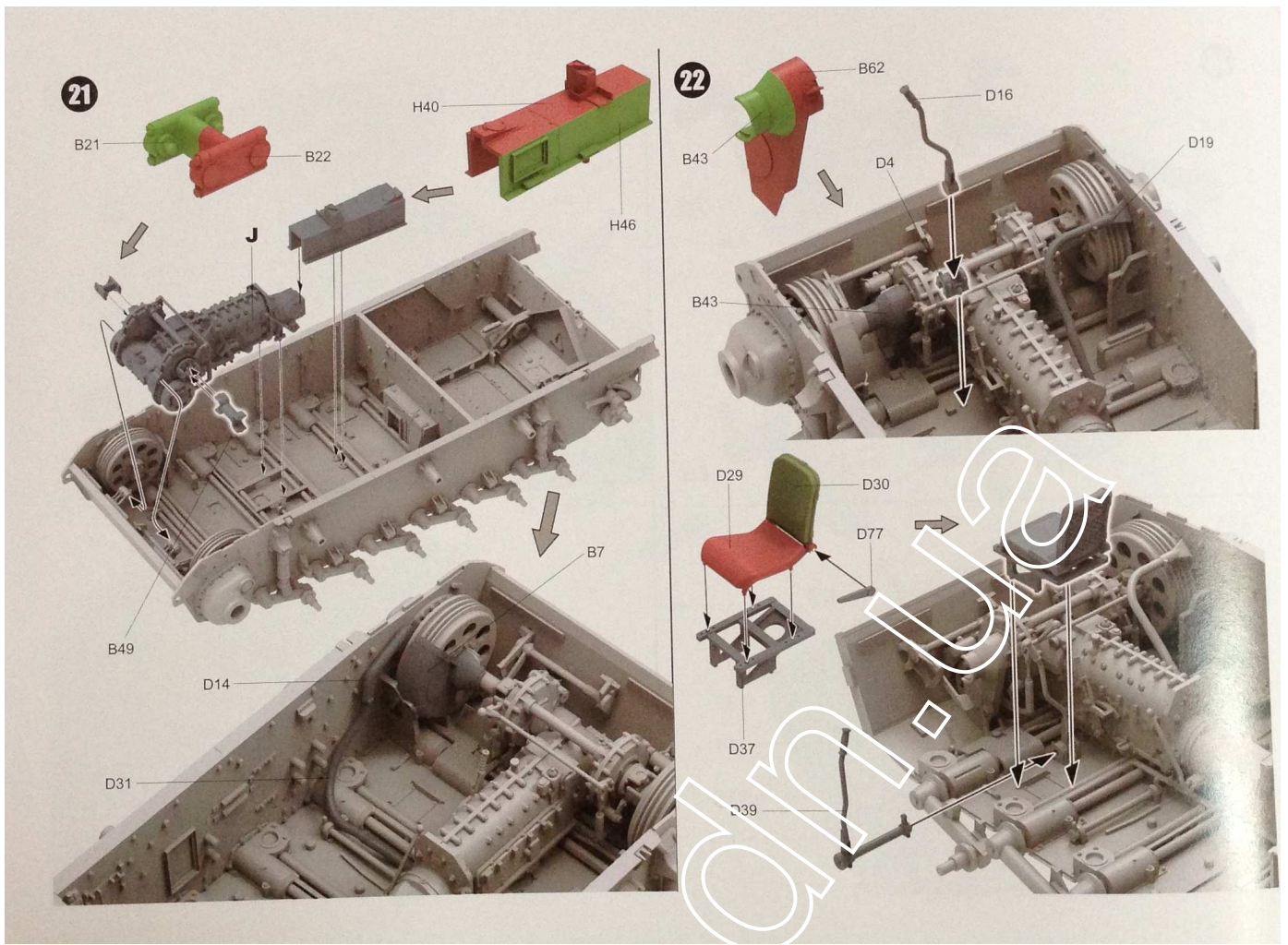
New designs and improvements were made throughout the production of the StuG III Ausf. G. The initial production version of the Ausf. G was fitted with an additional captain's command cupola, the electric exhaust fan was moved to the rear of the fighting compartment, the driver's periscope was removed, and some vehicles were fitted with a triple smoke launcher. The mid-production version changed the mounting of additional armor to integrated 80mm armor in order to increase defense. To protect against magnetic weapons, the armor was also coated with a layer of Ziment, but after September 1944, the Germans cancelled this production process because the Allies had not been using magnetic anti-tank weapons, and applying the coating increased both production costs and production time. Ausf. G used welded 40mm all-steel anti-air tracks. In mid-1943, the StuG III Ausf. G began to be fitted with armor skirts to further improve protection. Many of the earlier G models were recalled to the factory and reworked with guns and armor. The early Ausf. Gs were continued by the new parts, and from September 1943 to September 1944, the models left the factory with Zement, chert armor or standard armor. Also many field factories did the same for the Ausf. G. It was also common practice to weld storage racks to the hood or to place some steel rails and other items. The later models changed the square gun shield to a cast one-piece rounded shield - commonly known as a dogback shield, and thus improved protection. A coaxial machine gun was also added, and the vehicle was fitted with spare tracks. The front of the combat chamber was also equipped with 80mm one-piece armor. An anti-infantry S-mine grenade launcher and a remote-controlled machine gun with a "V" plate were installed.

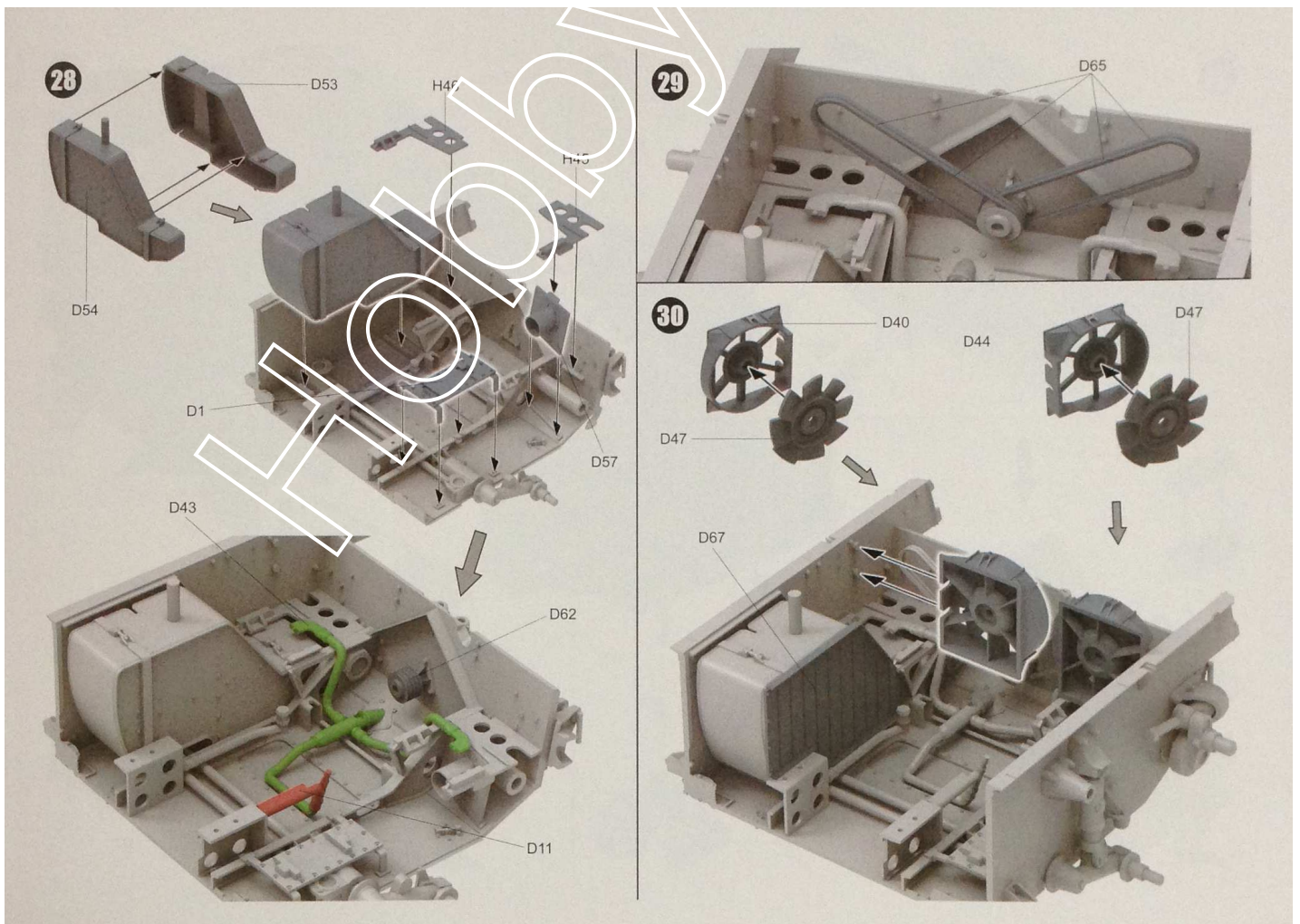
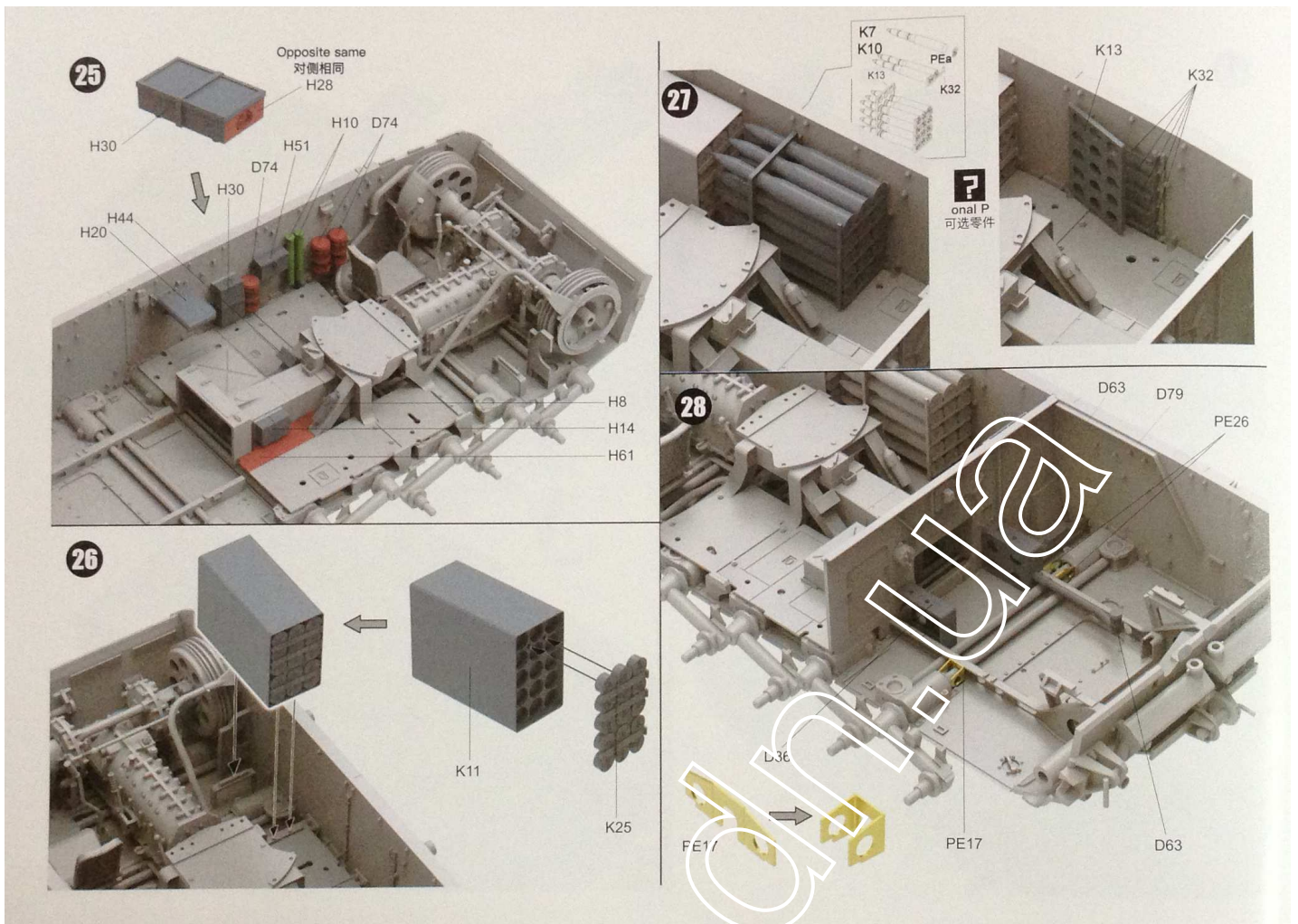


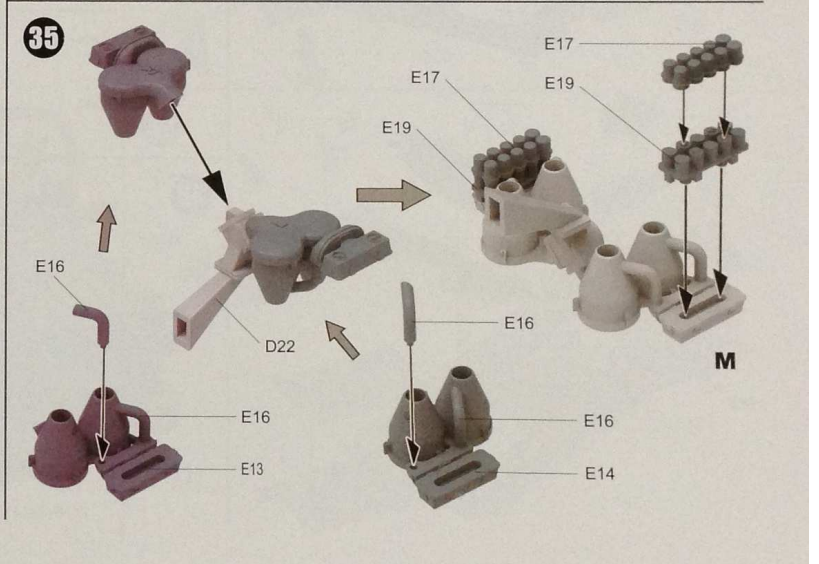
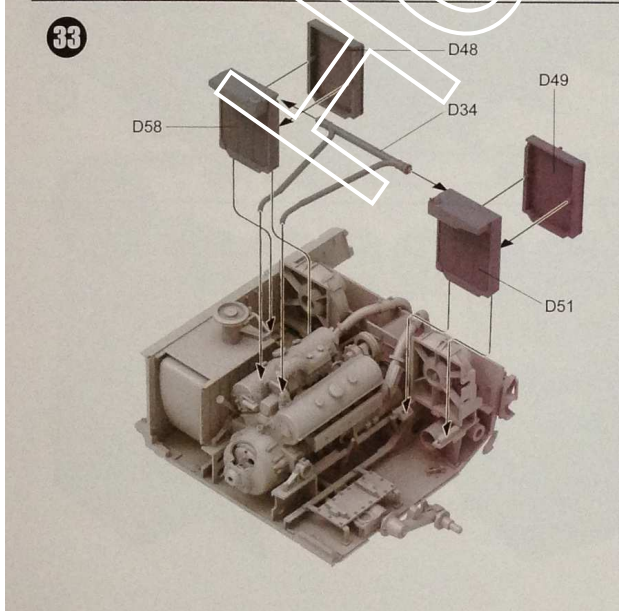
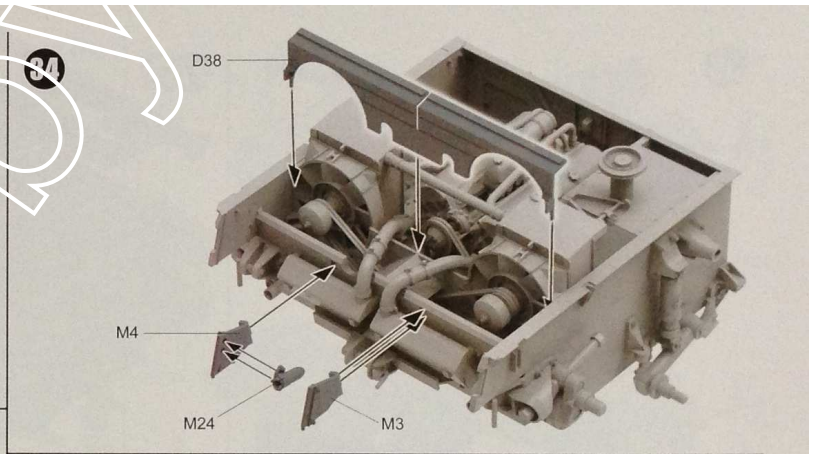
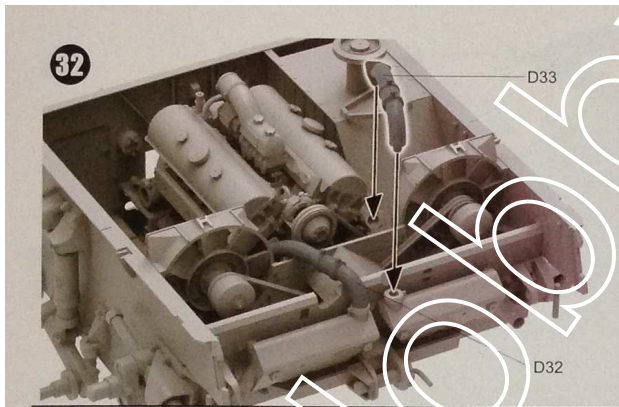
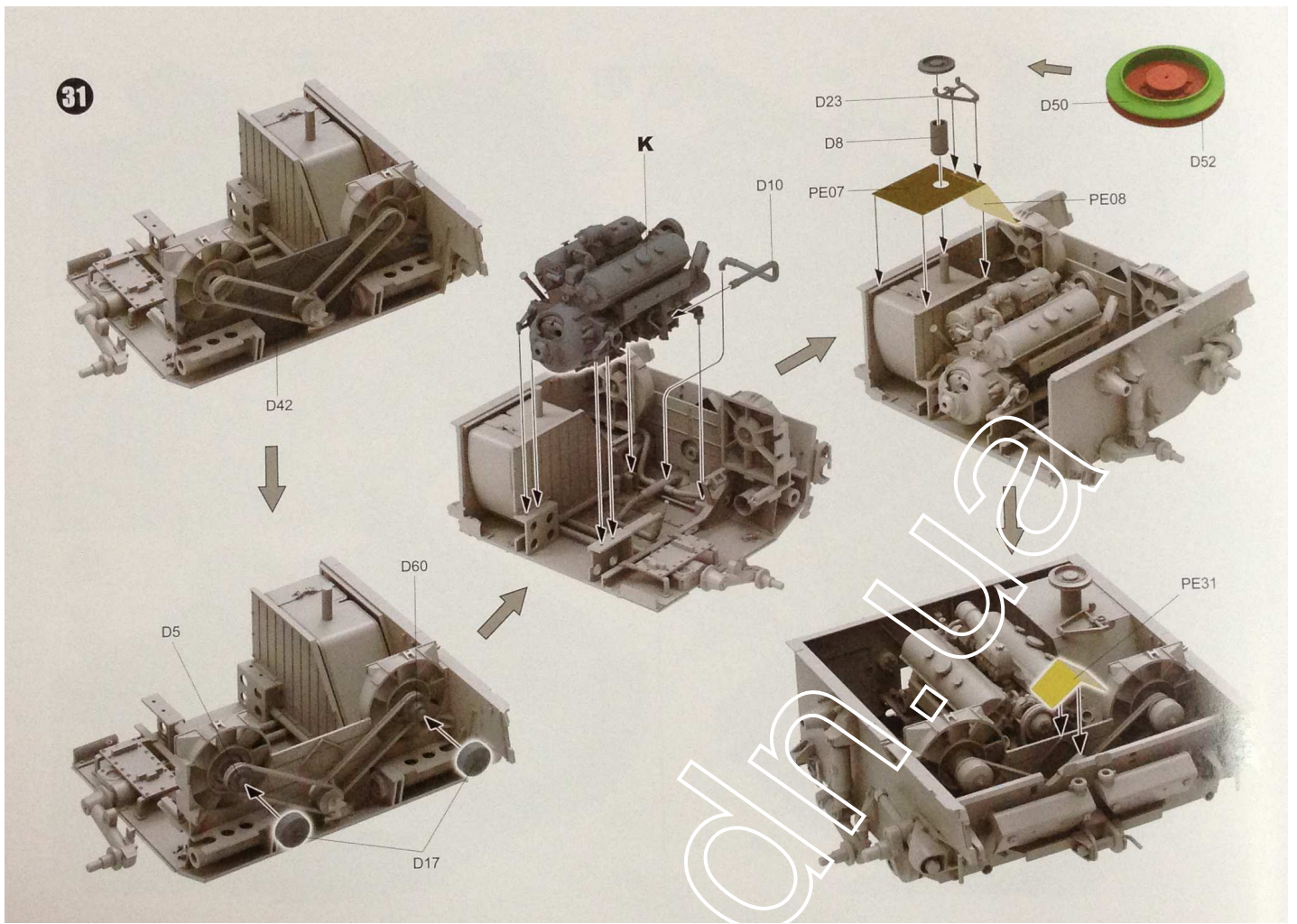


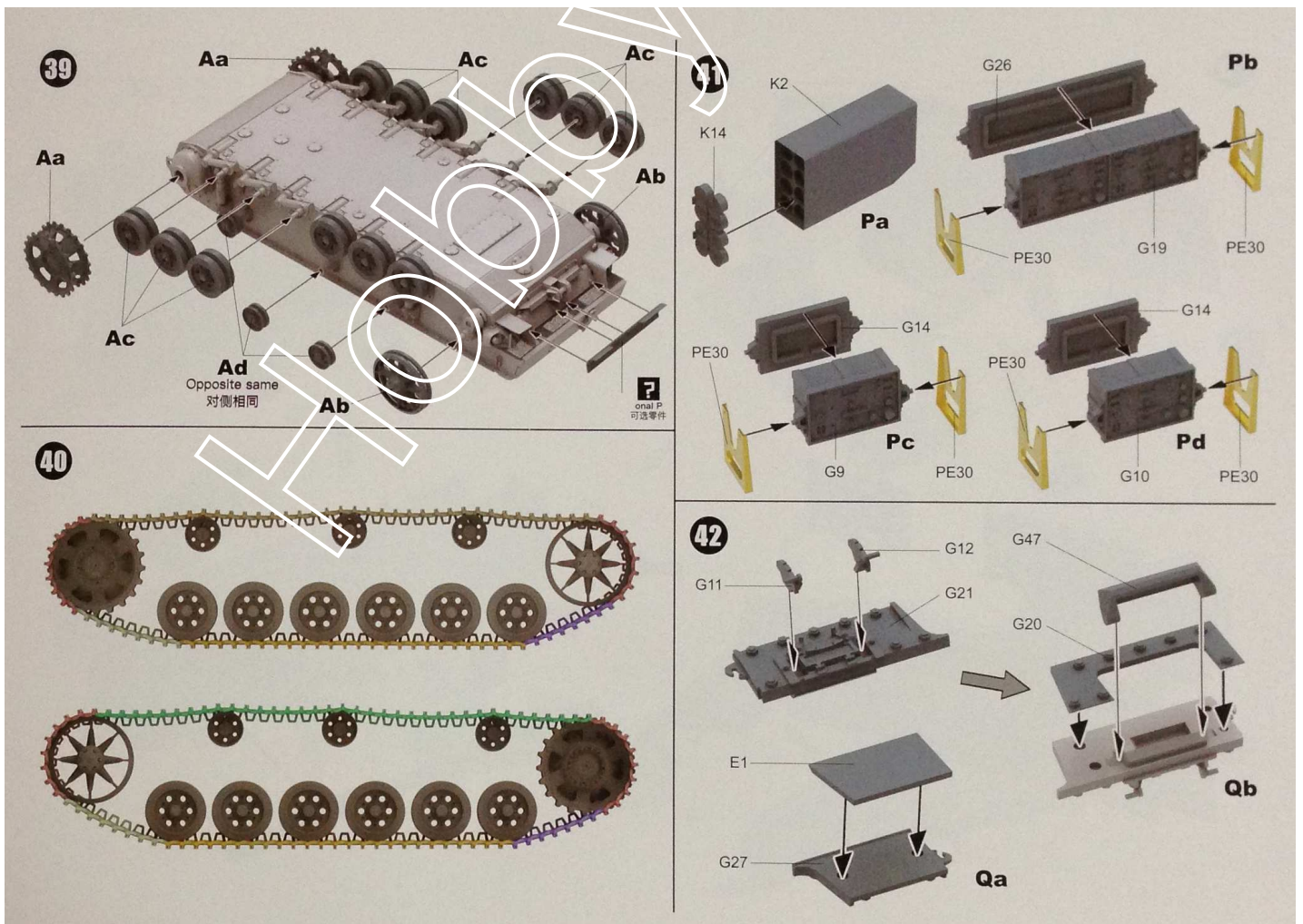
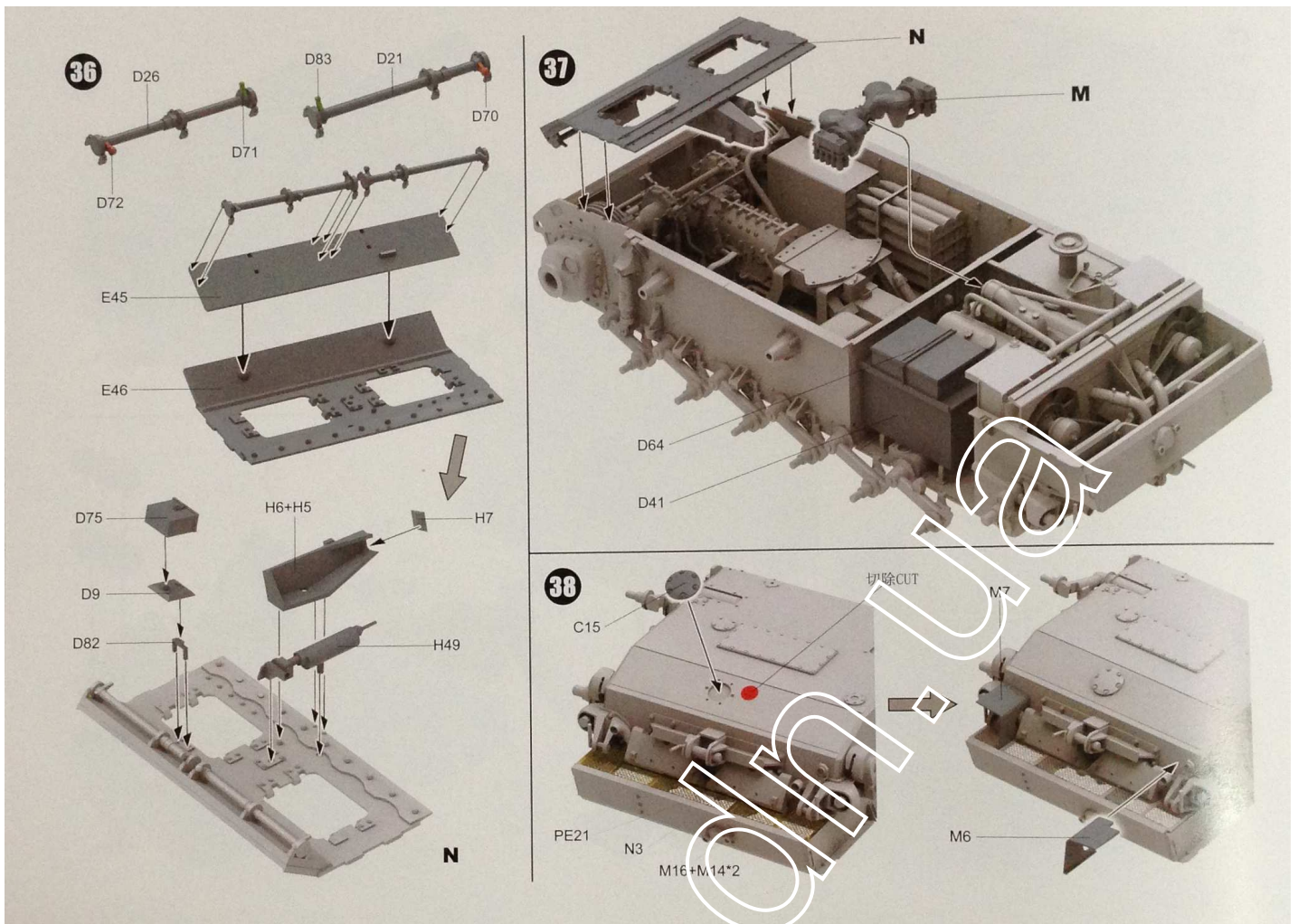




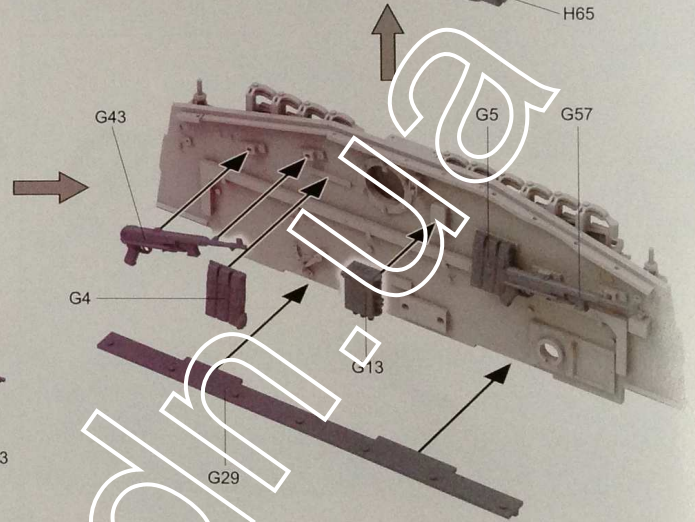
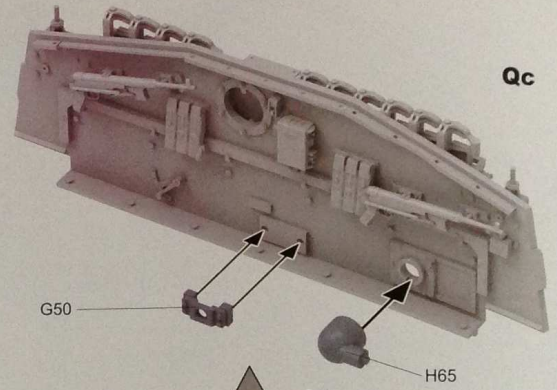
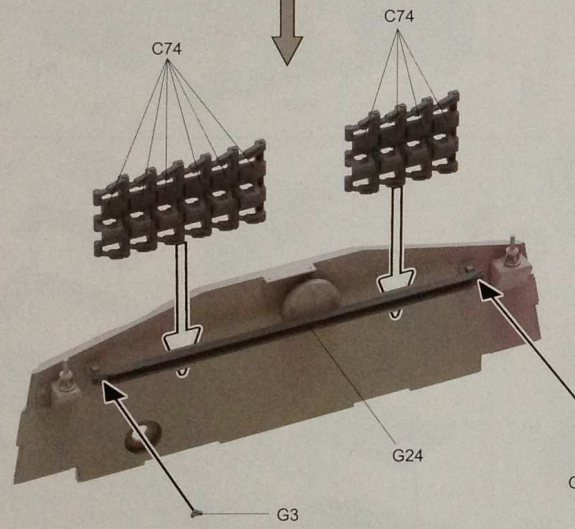
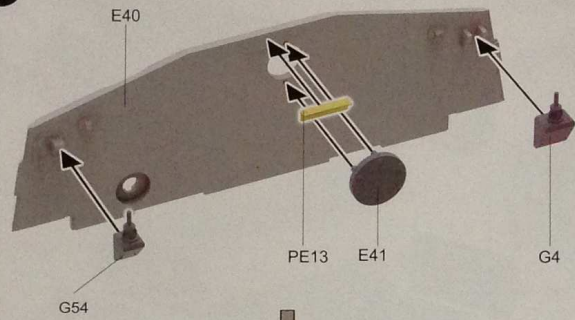




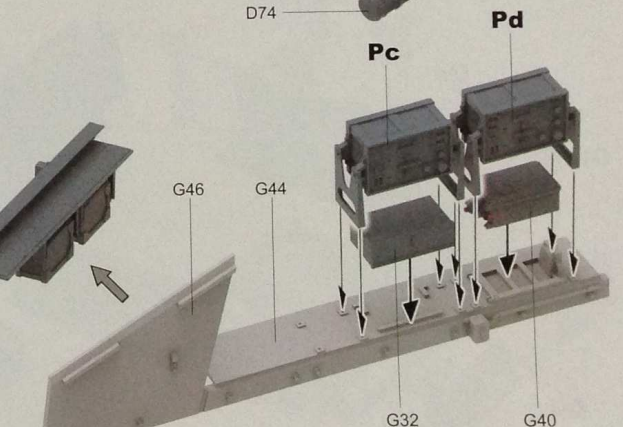
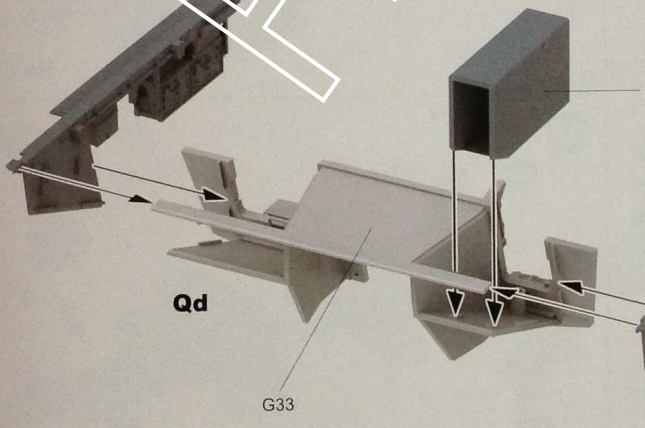
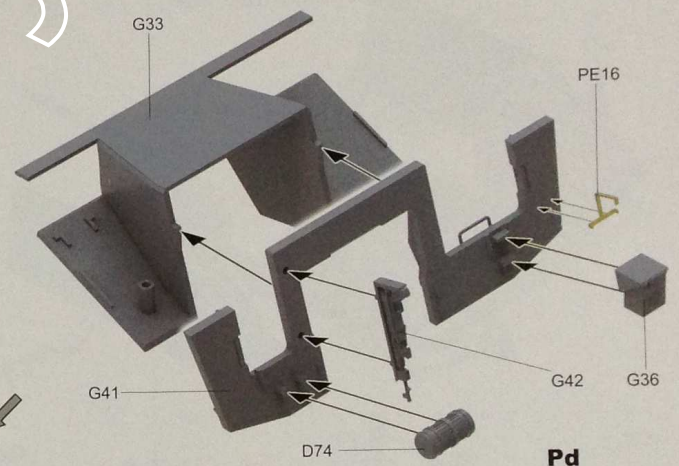
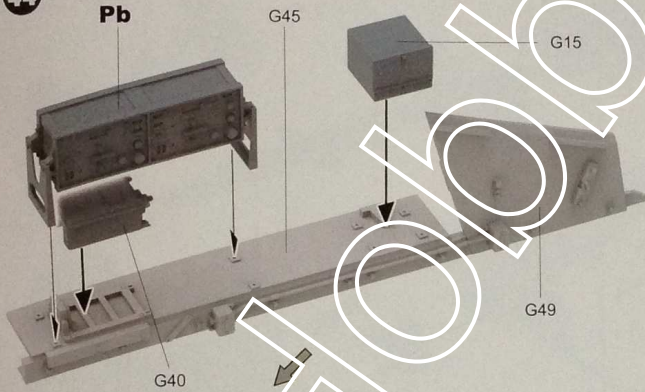


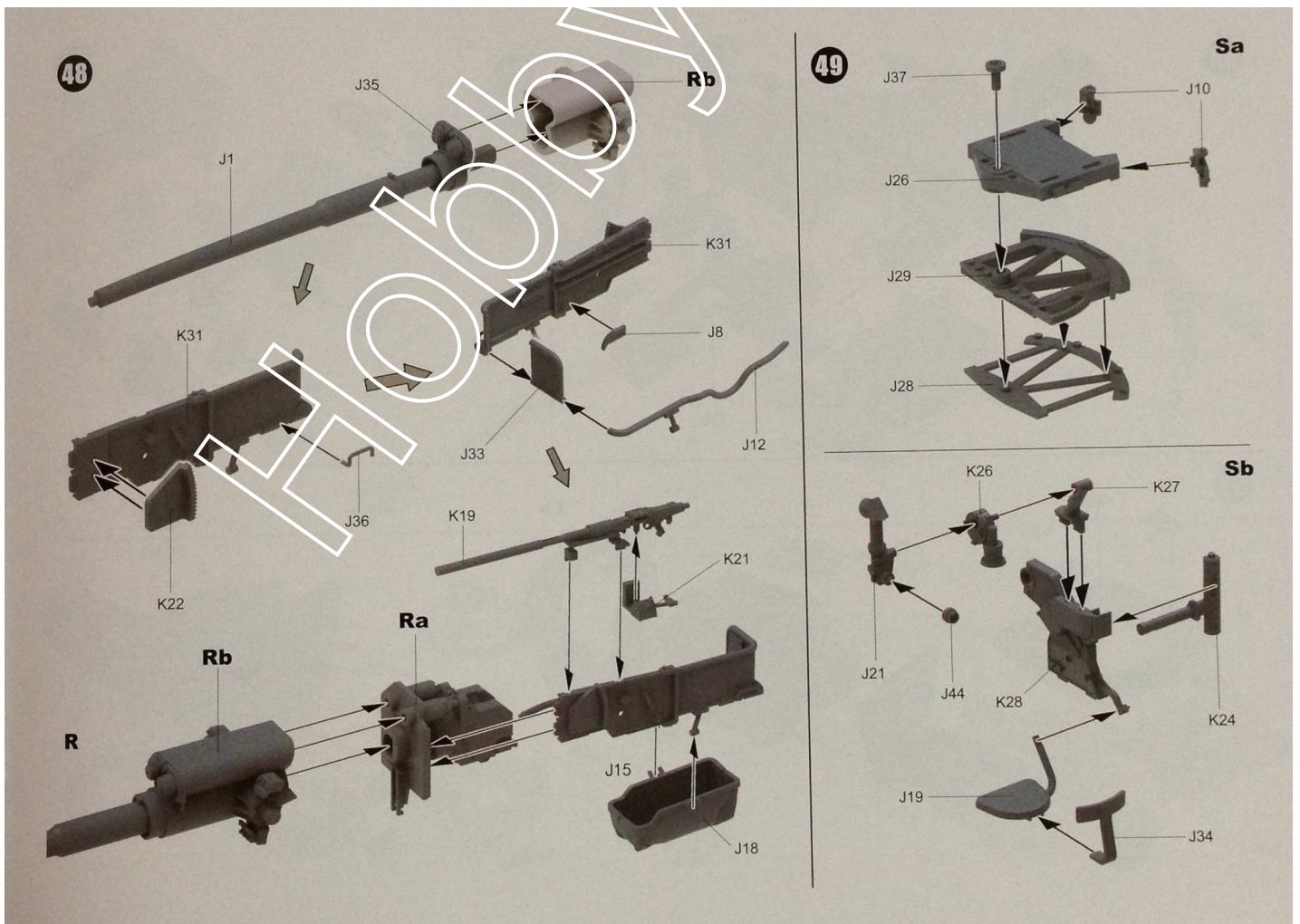
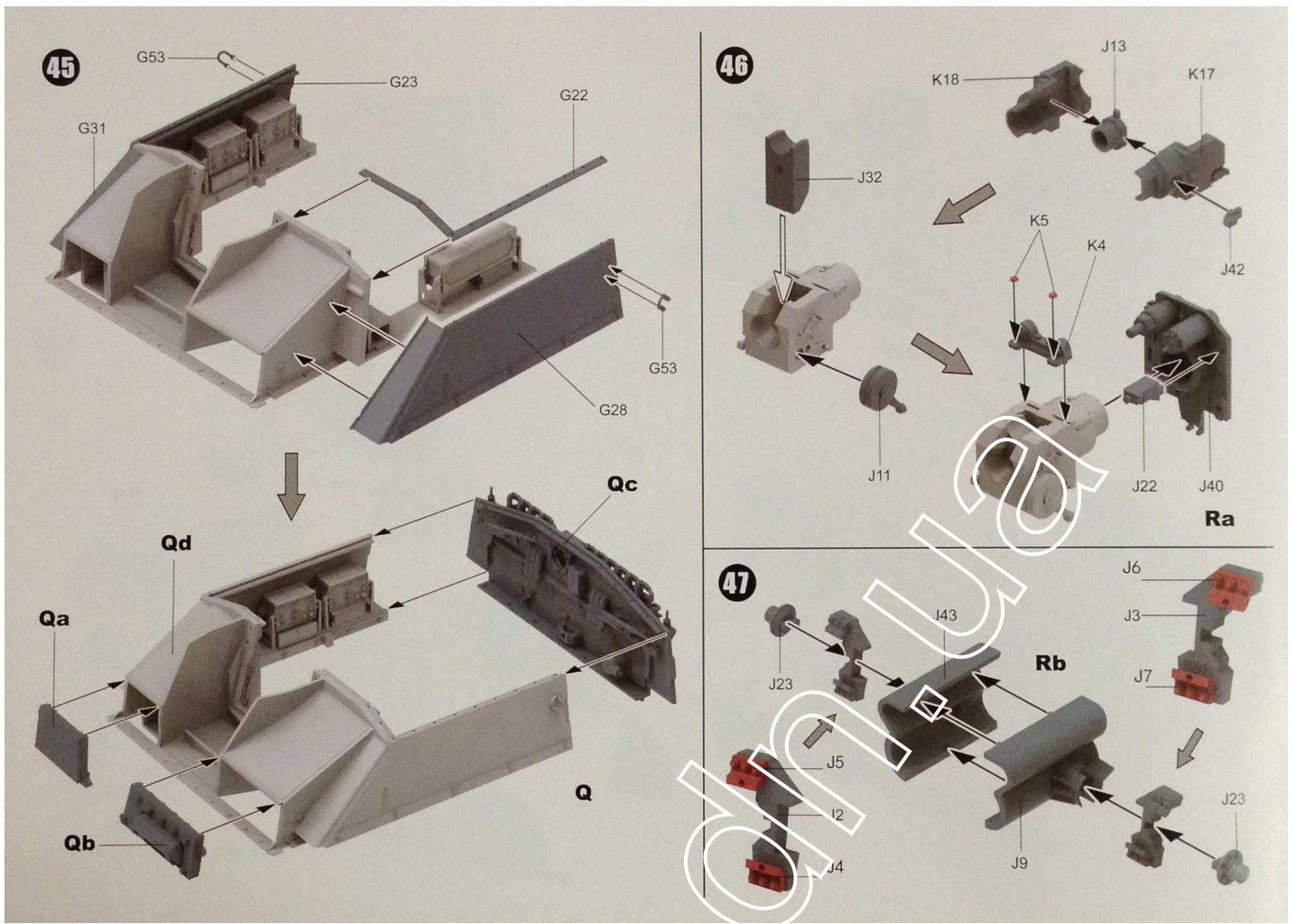


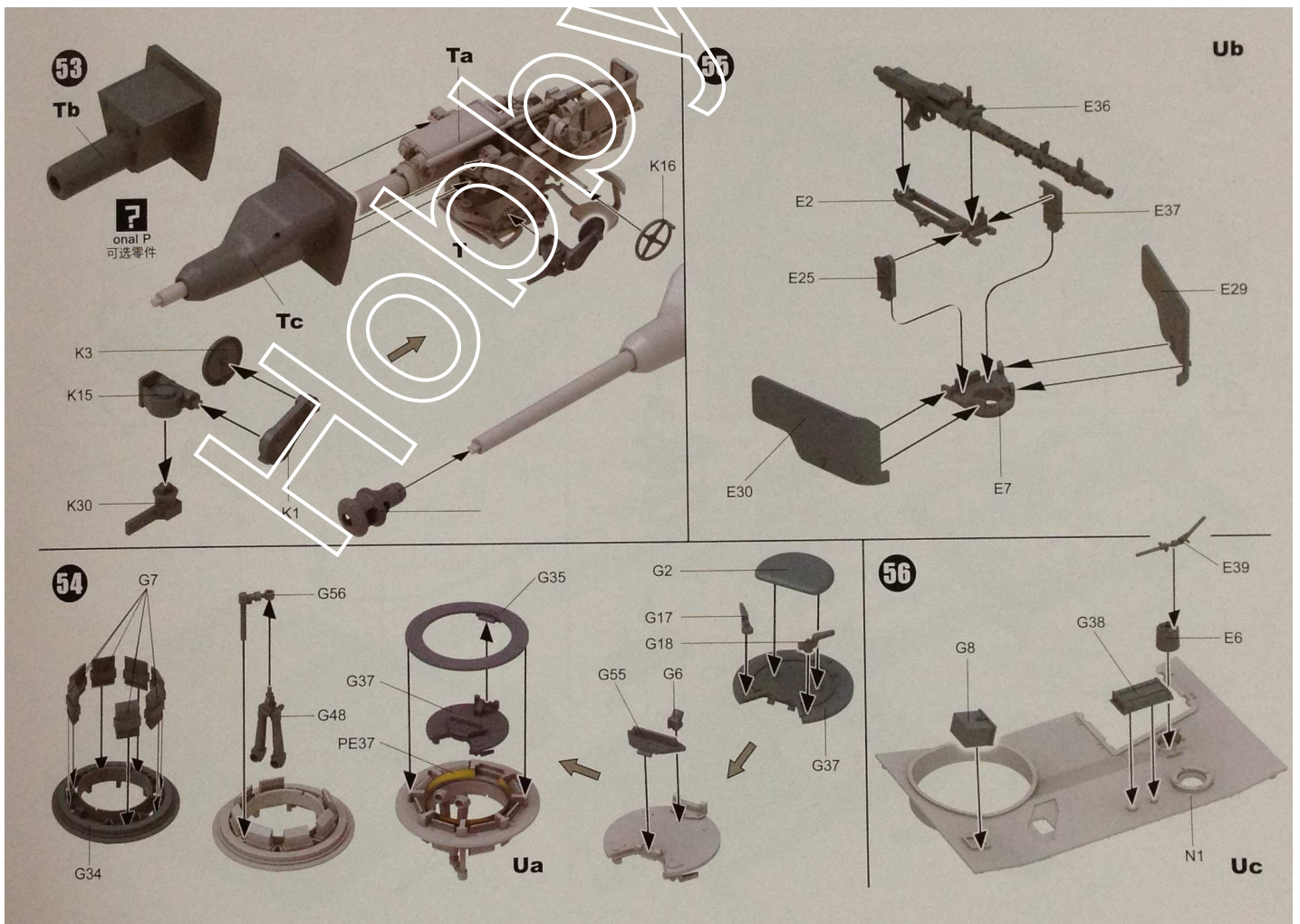
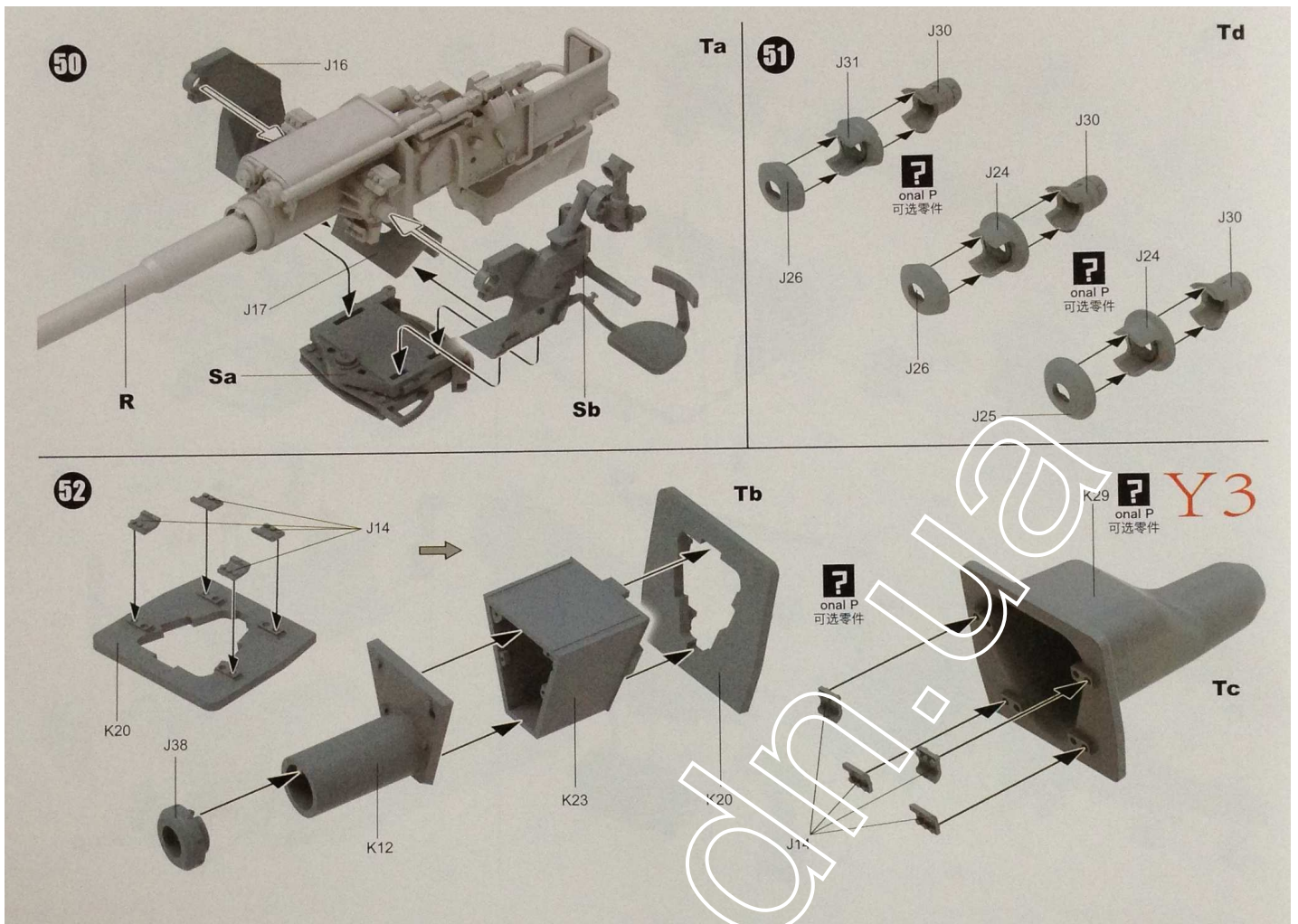
43

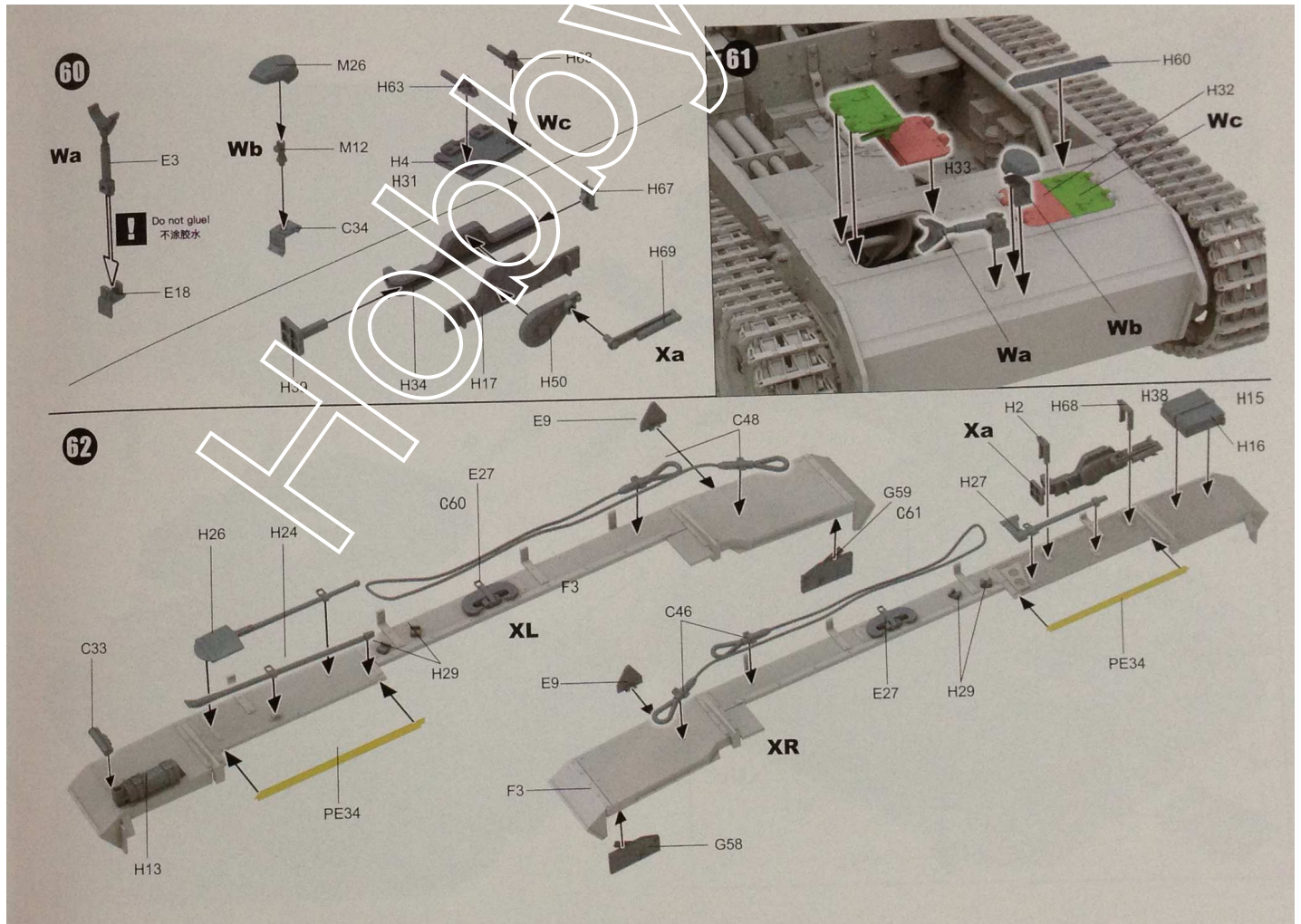
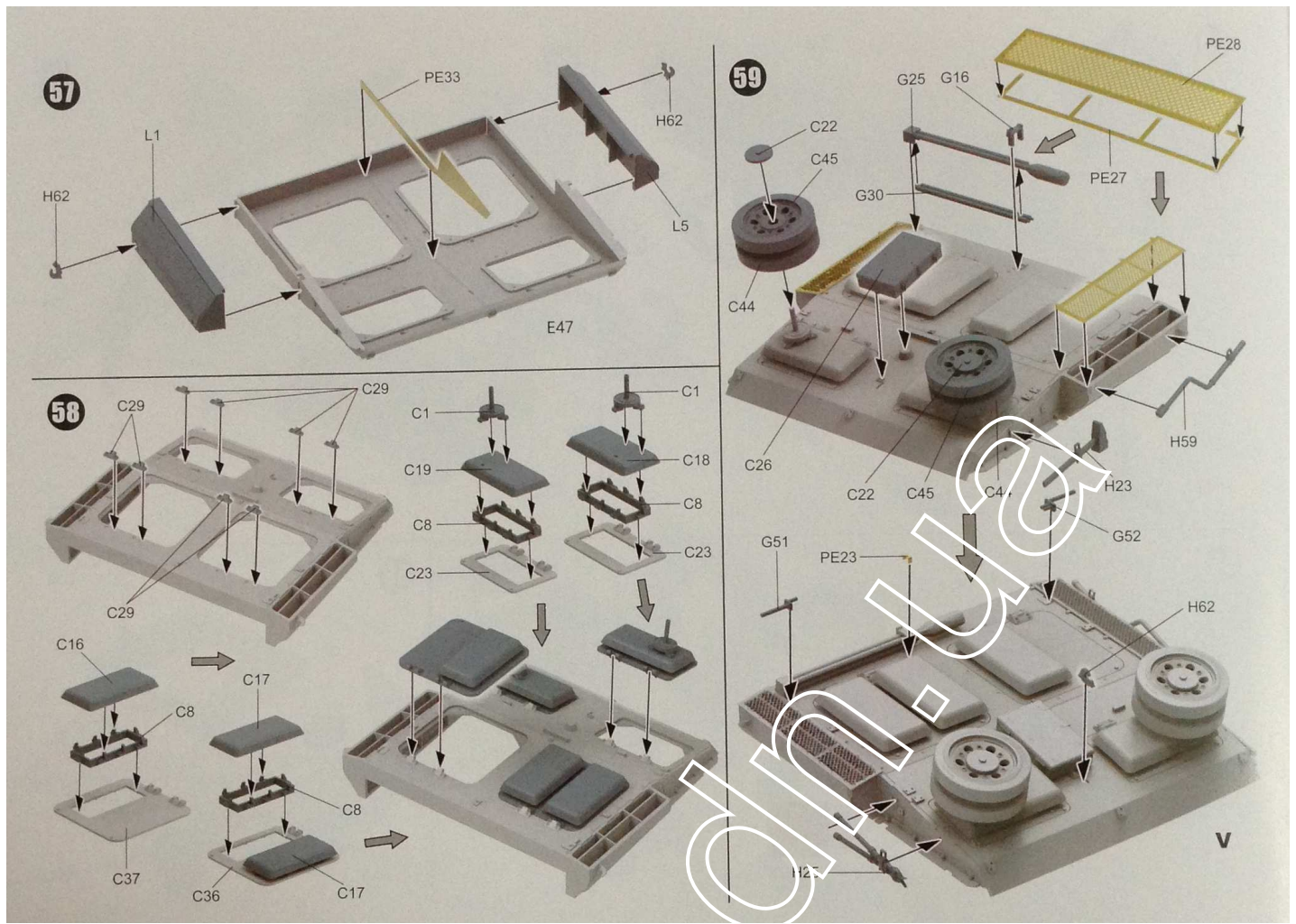


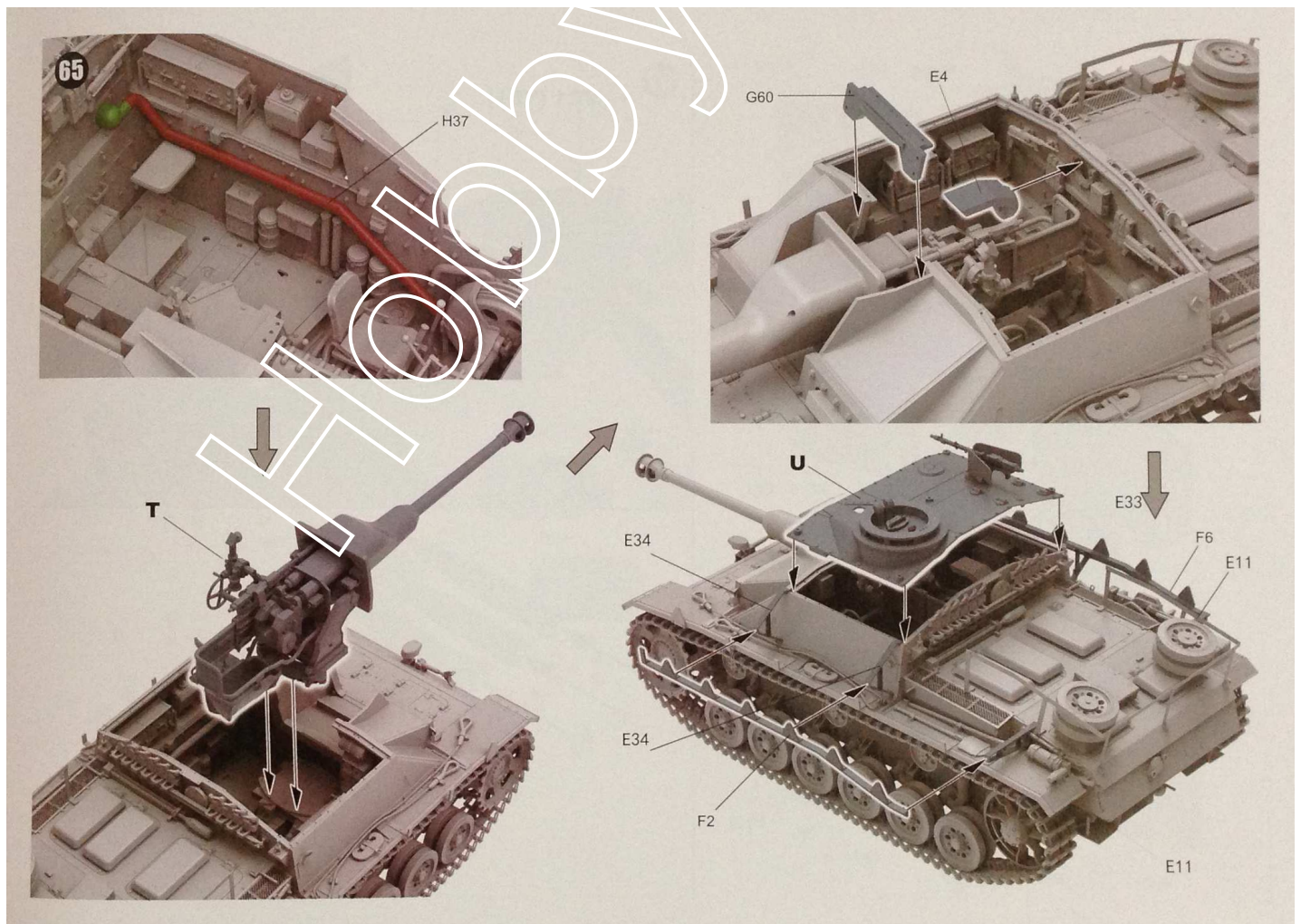
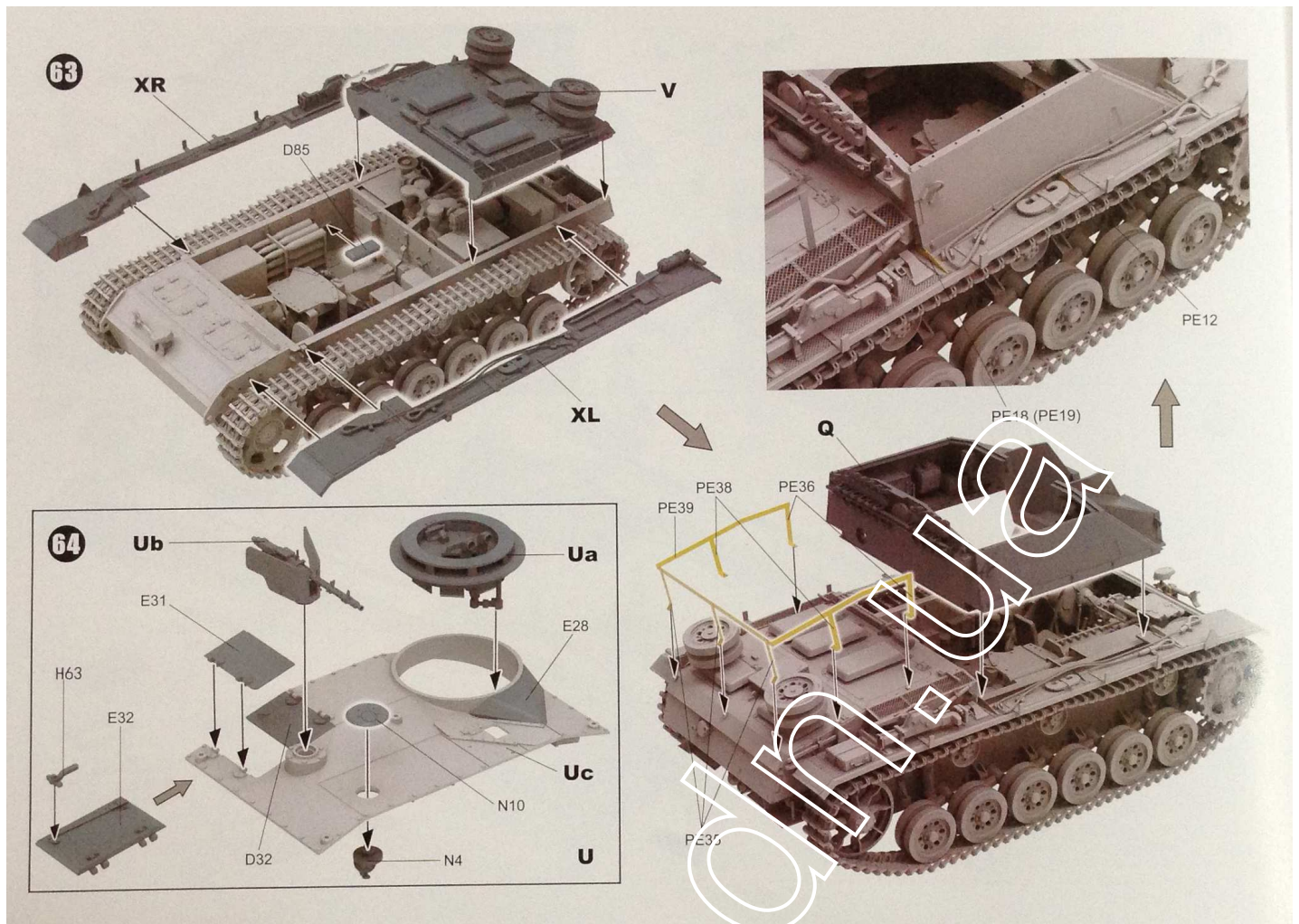
44

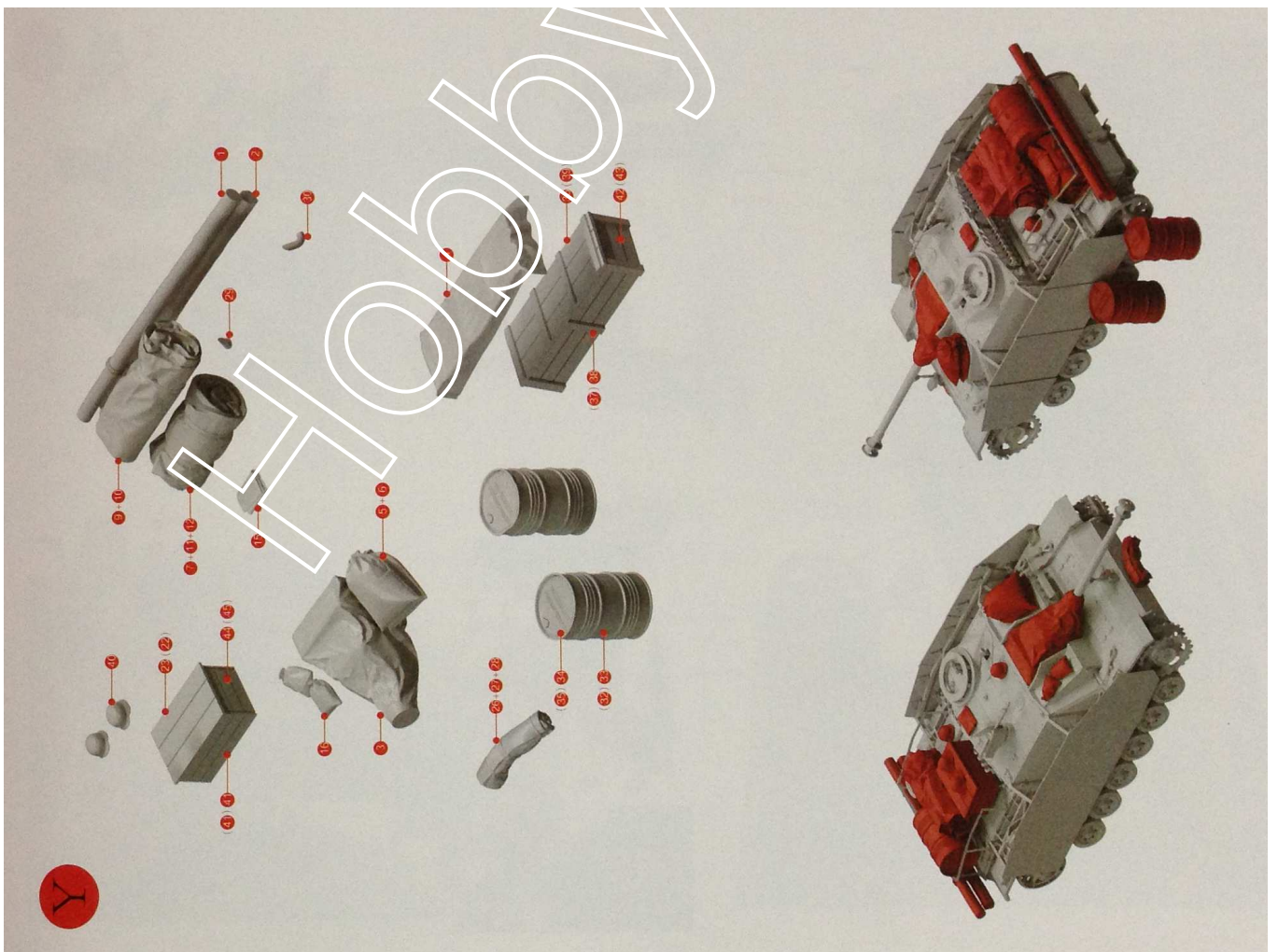
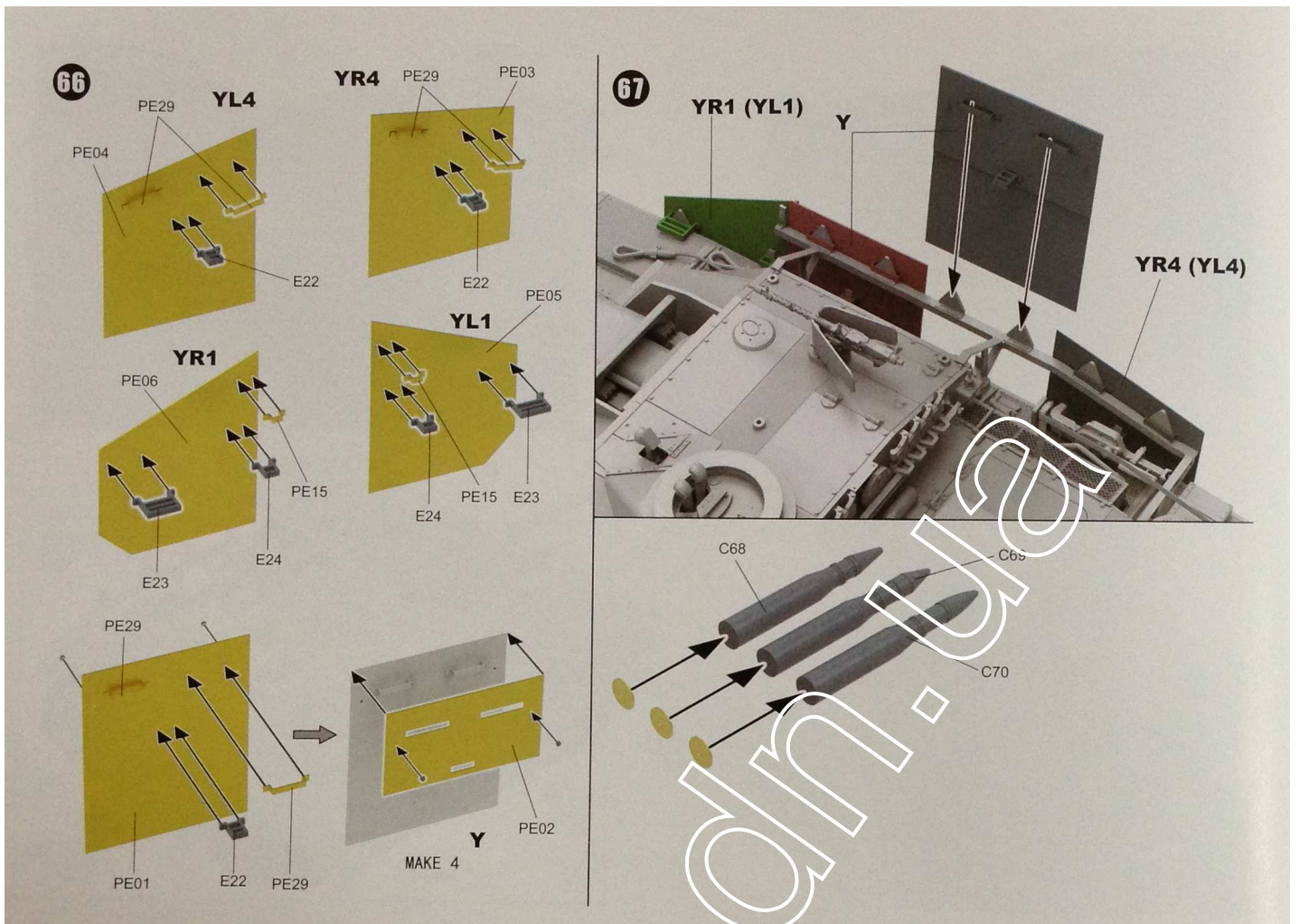


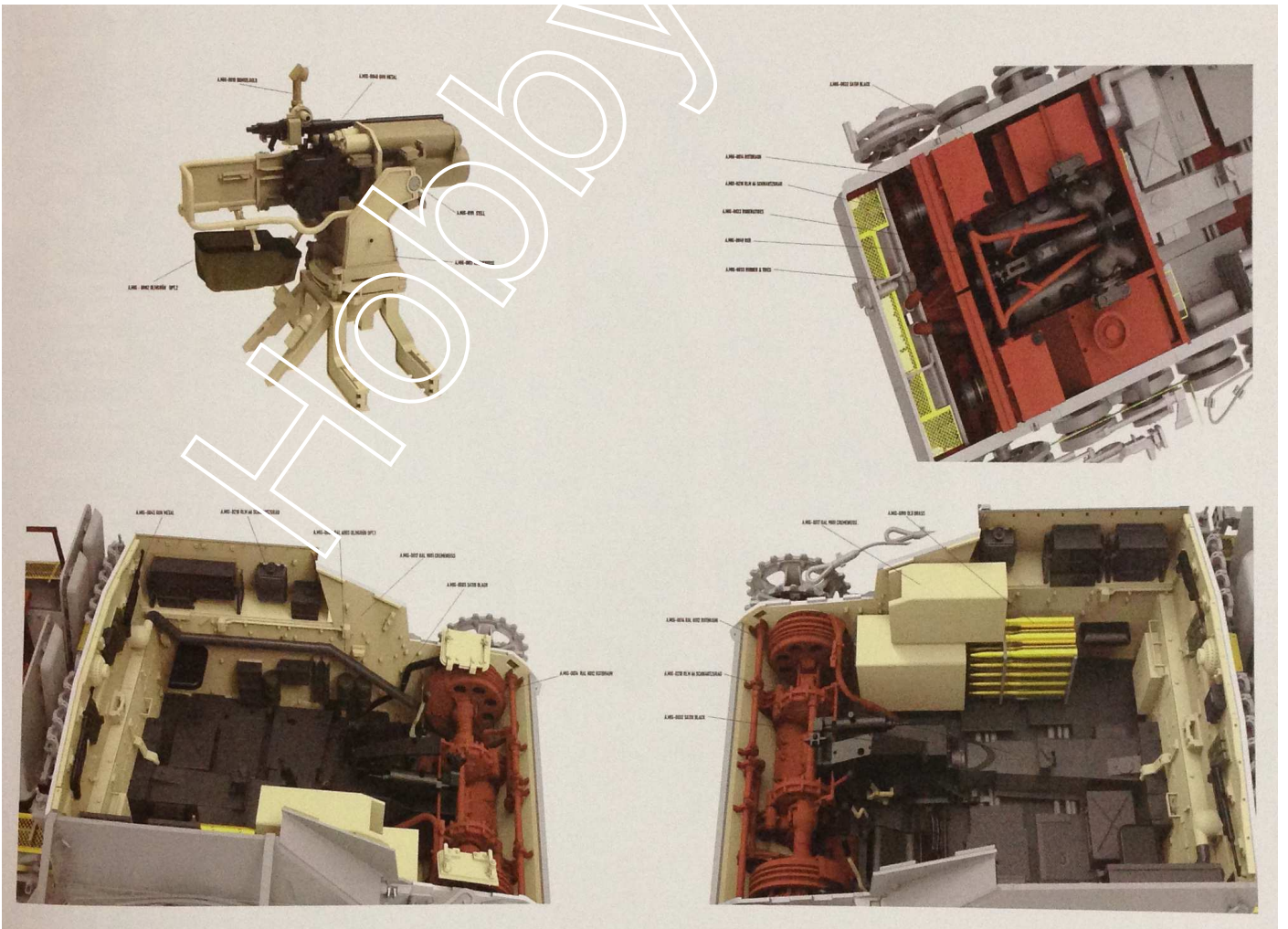
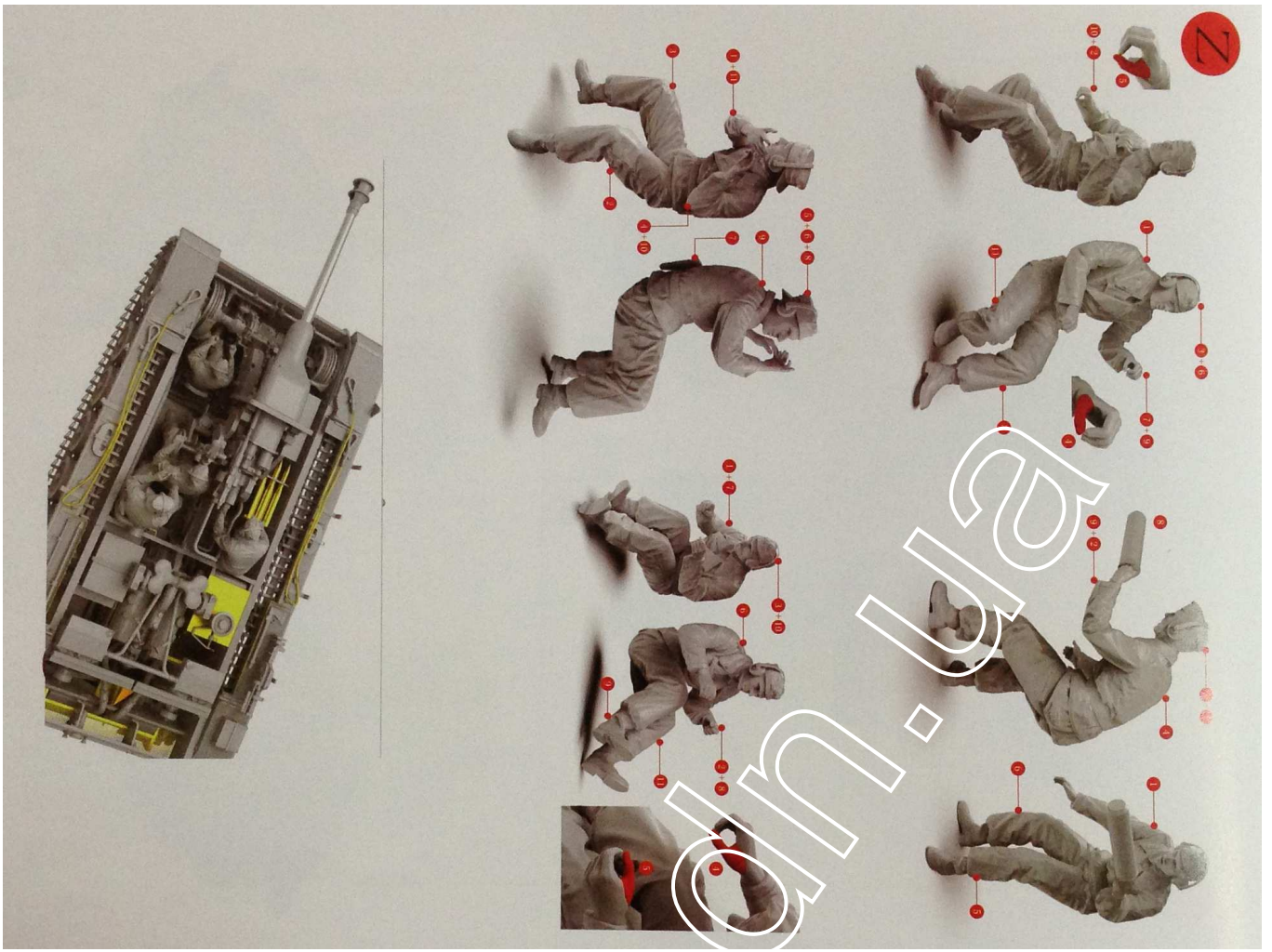










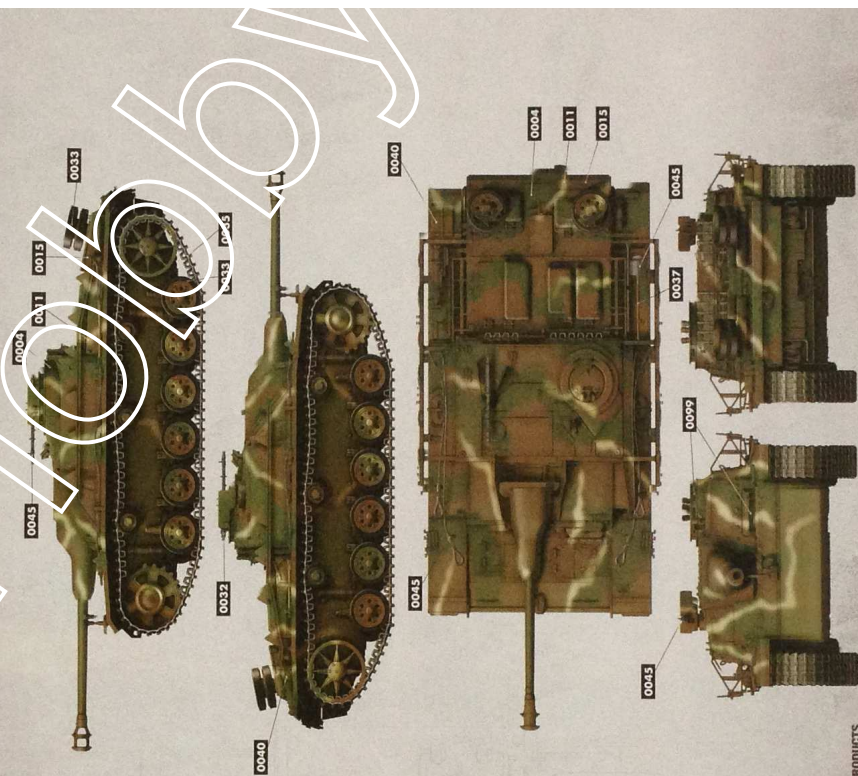


STUG III Ausf. G.

PAINTING AND MARKING GUIDE

BORDER MODEL REF: BT-019 Underlier, Unit: Spring of 1945 Germany

- A.MIG-0004 RAL 8011 B Feuergrün
- A.MIG-0003 Rubber & Tires
- A.MIG-0045 Gun Metal
- A.MIG-0099 Crystal Back by 1
- A.MIG-0002 Stain Black
- A.MIG-0015 RAL 8017 Schokobraun
- A.MIG-0037 New Wood
- A.MIG-0040 Medium Rust



WEATHERING STEPS WITH AMMO PRODUCTS

- 1 GENERAL WASH**
A.MIG-1005 Dark Brown Wash for Green Vehicles
- 2 FILTERS**
A.MIG-0024 Tin
- 3 COLD EXHAUST**
A.MIG-0052 Earth Shaker

- 4 DIRT SHADING**
A.MIG-0853 Dirt Shaker
- 5 DETAILS HIGHLIGHT**
Drybrush Medium German Wash
- 6 STRUCKING**
A.MIG-1256 Strakeopfeimer Green-Grey Grime

- 7 RAINMARKS**
A.MIG-1258 Strakeopfeimer Dust
- 8 TRACKS WASH**
A.MIG-1002 Tracks Wash
- 9 DUST**
A.MIG-1004 Europe Earth Pigment

- 10 TUD**
A.MIG-1704 Heavy Earth
- 11 SPILLS**
A.MIG-1753 Turned Dirt
- 12 FUEL**
A.MIG-1409 Fuel Stains

- 13 OIL**
A.MIG-1408 Fresh Engine Oil

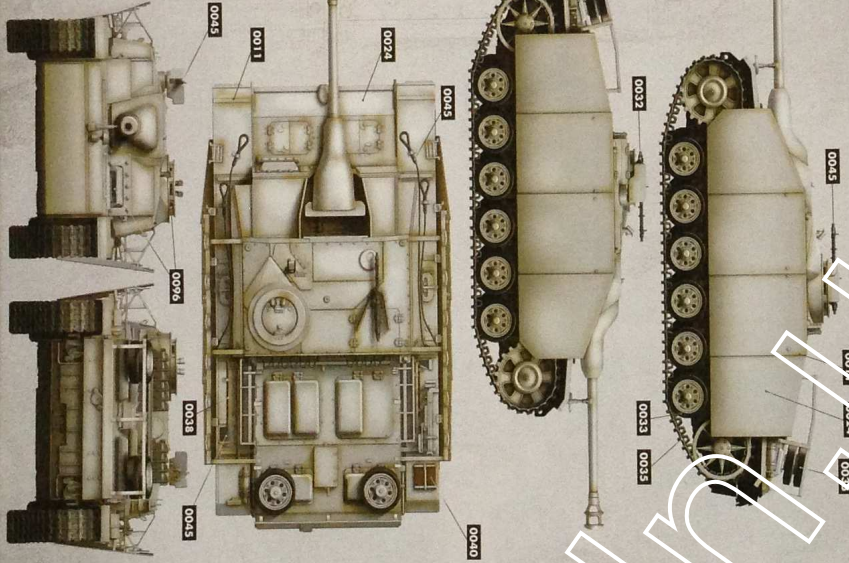
- 14**

STUG III Ausf. G.

PAINTING AND MARKING GUIDE

BORDER MODEL REF: BT-019 Underlier, Unit: Russia 1945

- A.MIG-0011 RAL 7028 Dunkelgrün
- A.MIG-0005 Dark Tracks
- A.MIG-0098 Crystal
- A.MIG-0024 Washable White
- A.MIG-0032 Stain Black
- A.MIG-0033 Rubber & Tires
- A.MIG-1008 Light Wood
- A.MIG-0045 Gun Metal
- A.MIG-0002 Stain Black
- A.MIG-0033 Rubber & Tires
- A.MIG-0045 Gun Metal



WEATHERING STEPS WITH AMMO PRODUCTS

- 1 GENERAL WASH**
A.MIG-1010 Neutral Wash
- 2 COLD EXHAUST**
A.MIG-2001 Obleider White
- 3 FILTERS**
A.MIG-0022 Tins

- 4 DIRT SHADING**
A.MIG-0857 Grey Shaker
- 5 DIRT SHADING**
A.MIG-0853 Dirt Shaker
- 6 DETAILS HIGHLIGHT**
A.MIG-0858 Strakeopfeimer Dust

- 7 STRUCKING**
A.MIG-1258 Strakeopfeimer Dust
- 8 TRACKS WASH**
A.MIG-1002 Tracks Wash

- 9 DUST**
A.MIG-1002 Tracks Wash
- 10 DIRT**
A.MIG-1754 Lump Earth

- 11 OIL**
A.MIG-1408 Fresh Engine Oil
- 12 FUEL**
A.MIG-1409 Fuel Stains

STUG III Aust. G.



PAINTING AND MARKING GUIDE

BORDER MODEL REF: BT-019 Sturmgeschütz (StuG) III Ausf. G, September 1944, Netherland / Arnhem.

- A.MIG-0002 RAL 6003 Olivgrün OPT2
- A.MIG-0003 Rubber & Tires
- A.MIG-0045 Gun Metal
- A.MIG-0004 RAL 7028 Oxidgrün Mkt.Vari
- A.MIG-0015 RAL 8017 Schokoladebraun
- A.MIG-0005 Black/White
- A.MIG-0006 Old Wood
- A.MIG-0002 Satin Black
- A.MIG-0015 Schokoladebraun
- A.MIG-0040 Medium Rust



- WEATHERING STEPS WITH AMMO PRODUCTS**
- 1 GENERAL WASH**
A.MIG-1005 Dark Brown Wash for Green Vehicles
 - 2 FILTER**
A.MIG-0024 Tin
 - 3 GRAY SHADING**
A.MIG-0032 Earth Shading
 - 4 DIRT SHADING**
A.MIG-0033 Dirt Shading
 - 5 DETAILS HIGHLIGHT**
A.MIG-0017 Drybrush Medium German Yellow
 - 6 STREAKING**
A.MIG-1256 Streakingbrush Green-Gray Green
 - 7 RAINMARKS**
A.MIG-1238 Streakingbrush Dirt
 - 8 TRACKS WASH**
A.MIG-1002 Trucks Wash
 - 9 DIRT**
A.MIG-3004 Europe Earth Pigment
 - 10 MUD**
A.MIG-1704 Heavy Earth
 - 11 SPATZLES**
A.MIG-1753 Turned Dirt
 - 12 FUEL**
A.MIG-1409 Fuel Stains
 - 13 OIL**
A.MIG-1408 Fresh Engine Oil

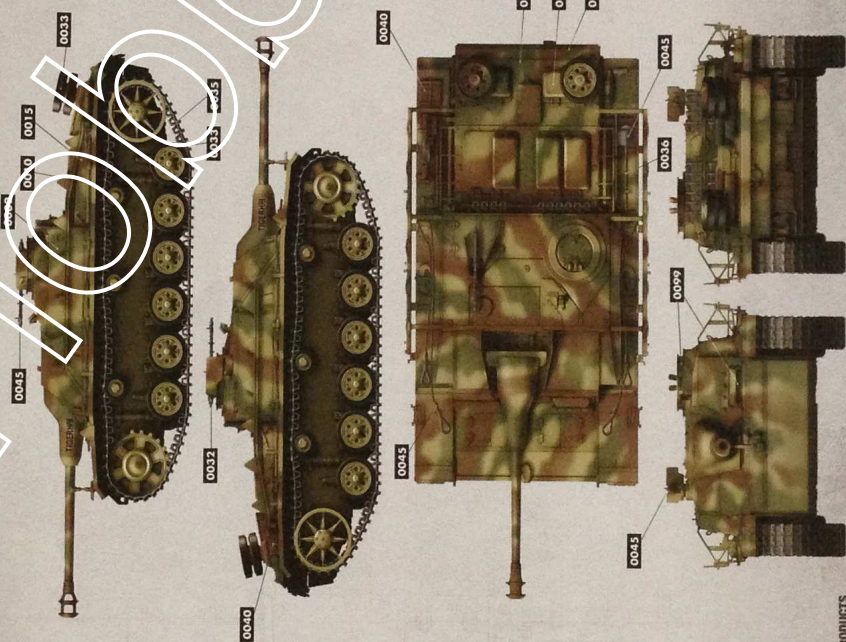
STUG III Aust. G.



PAINTING AND MARKING GUIDE

BORDER MODEL REF: BT-019 Unidentifié (art. 1), 1944, Estonia

- A.MIG-0002 RAL 6003 Olivgrün OPT2
- A.MIG-0003 Rubber & Tires
- A.MIG-0045 Gun Metal
- A.MIG-0004 RAL 7028 Oxidgrün Mkt.Vari
- A.MIG-0015 RAL 8017 Schokoladebraun
- A.MIG-0005 Black/White
- A.MIG-0006 Old Wood
- A.MIG-0002 Satin Black
- A.MIG-0015 Schokoladebraun
- A.MIG-0040 Medium Rust



- WEATHERING STEPS WITH AMMO PRODUCTS**
- 1 GENERAL WASH**
Dark Brown Wash for Green Vehicles
 - 2 FILTER**
A.MIG-0024 Tin
 - 3 GRAY SHADING**
A.MIG-0032 Earth Shading
 - 4 DIRT SHADING**
A.MIG-0033 Dirt Shading
 - 5 DETAILS HIGHLIGHT**
A.MIG-0017 Drybrush Medium German Yellow
 - 6 STREAKING**
A.MIG-1256 Streakingbrush Green-Gray Green
 - 7 RAINMARKS**
A.MIG-1238 Streakingbrush Dirt
 - 8 TRACKS WASH**
A.MIG-1002 Trucks Wash
 - 9 DIRT**
A.MIG-3004 Europe Earth Pigment
 - 10 MUD**
A.MIG-1704 Heavy Earth
 - 11 SPATZLES**
A.MIG-1753 Turned Dirt
 - 12 FUEL**
A.MIG-1409 Fuel Stains
 - 13 OIL**
A.MIG-1408 Fresh Engine Oil

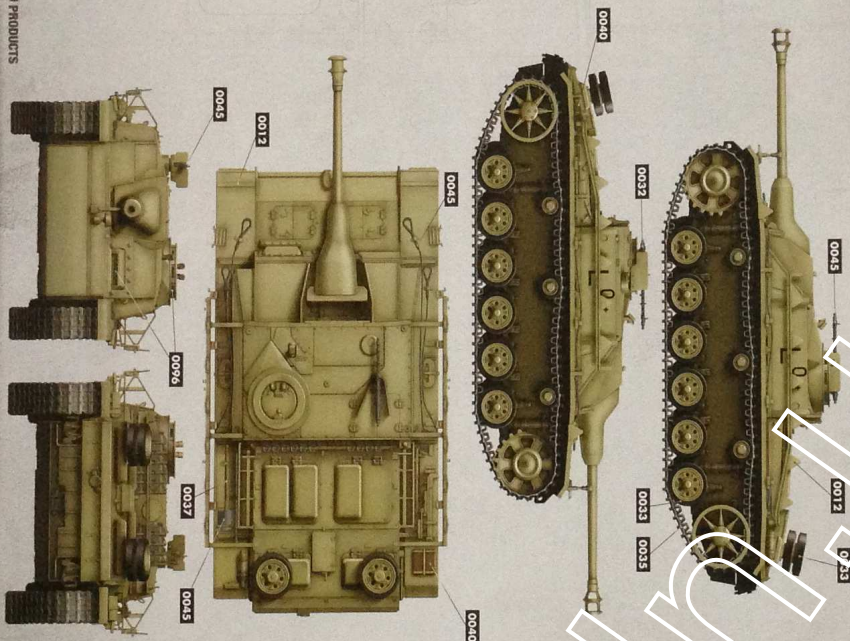
STUG III Ausf. G.



PAINTING AND MARKING GUIDE

BORDER MODEL REF: BT-019 185 STUG BRIG, East Prussia 1945

- RAL 7028 AMMO-0012 Dunkelgelb A59 40 100 (H)
- AMMO-0037 New Wood
- AMMO-0022 Sand
- AMMO-0033 Ruder & Tiere
- AMMO-0035 Dunkelgrün
- AMMO-0039 Orginal Periscope Green
- AMMO-0000 Medium Blue
- AMMO-0009 Gun Metal
- AMMO-0038 Rubber & Tire
- AMMO-0035 Dark Tracks
- AMMO-0035 Orginal Periscope Green



- WEATHERING STEPS WITH AMMO PRODUCTS**
- 1** GENERAL WASH
A.MiC-1000 German Wash for
A.MiC-1000 German Wash Yellow
 - 2** SLIVER
A.MiC-1002 Tracks Wash
 - 3** STAINING
A.MiC-1203 Streaking Grime
A.MiC-1002 Tracks Wash
 - 4** DIRT
A.MiC-1204 Streaks/Spatter Dirt
A.MiC-2011 Airfield Dust Pigment
 - 5** HOUSING
A.MiC-1704 Heavy Earth
A.MiC-1753 Tinned Dirt
 - 6** RAILS
A.MiC-1409 Fuel Stains
A.MiC-1408 Fresh Engine Oil

Ad L7/C79 Make 6 L6/C78 L2/C76 L3/C77

64 E32

B part near B36 nail
B板件B36附近的钉子可以选择增加细节

16 A53 A36 A47

49 J21 J39 J44

20 Lb Lc D10+E15 D27 La

39 C31 onal P 可选零件

43 E43 Qc

49 J27 J29

64 G39 PE36