

Clear Prop!

ADVANCED



**KI-51 «SONIA»
RECONNAISSANCE**

1:72
model # CP72012



scale model kit

SPAN: 168 mm



LENGTH: 128 mm



NUMBER OF PARTS: 264 pcs

- 1** stages of assembly
- A** variants of assembly
- A1** part number
- 1** separate details
- 1** apply decals
- 1** apply the adhesive mask
- 1** bend
- ?** optional
- glue by super glue**
- do not glue**
- make a hole**
- detach with knife**
- paint**
- repeat the operation N times**

Ki-51 "Sonia"

Role	Light bomber/dive bomber
Manufacturer	Mitsubishi Jukogyo KK
First flight	mid-1939
Primary user	Imperial Japanese Army Air Force
Number built	2 385

The Mitsubishi Ki-51 "Sonia" was a light bomber/dive bomber in service with the Imperial Japanese Army during World War II. It first flew in mid-1939. Initially deployed against Chinese forces, it proved to be too slow to hold up against the fighter aircraft of the other Allied powers. As the war drew to a close, the Japanese began using them in kamikaze attacks.

The series began as two prototypes. Its design incorporated a crew of two seated in tandem under a long greenhouse-style canopy with the pilot in front and a gunner in back. The cockpit sat ahead of midships and over the monoplane wing assemblies which themselves were straight projections with rounded tips. The large radial piston engine was mounted in a forward compartment as usual and the fuselage tapering elegantly to a point under the tail. A single rounded vertical tail fin was used along with low-set horizontal tailplanes. The undercarriage was of the tail-dragger arrangement and fixed in place with aerodynamic fairings set over the main legs - typical of early-war mounts such as the Ki-51.

Dimensions: length - 9.2 meters, wingspan - 12 meters, height - 2.7 meters. Maximum Take-Off Weight - 6,415lbs. Power came from a single Mitsubishi Ha-26-II series 14-cylinder radial piston engine developing 950 horsepower. Maximum speed reached 265 miles per hour, a service ceiling up to 27,130 feet.

Standard armament - 2x fixed, forward-firing 7.7mm Type 89 machine guns. The rear operator managed a single 7.7mm Te-4 series machine gun. Ki-51 was cleared to carry up to 440lbs of bombs.

REQUIRED PAINTS



MR. COLOR 1
A.MIG-0050
WHITE



MR. COLOR 16
A.MIG-0260
IJA GREEN



MR. COLOR 28
A.MIG-0191
STEEL



MR. COLOR 47
A.MIG-0093
CLEAR RED



MR. COLOR 61
A.MIG-0187
BURNT IRON



MR. COLOR 128
A.MIG-0258
IJA GRAY GREEN



MR. COLOR 131
A.MIG-0034
PROPELLER COLOR



MR. COLOR 138
A.MIG-0092
CLEAR GREEN



MR. COLOR 8
A.MIG-0195
SILVER



MR. COLOR 55
A.MIG-0056
KHAKI



MR. COLOR 137
A.MIG-0033
TIRE BLACK



MR. COLOR 2
A.MIG-0046
BLACK SCHWARZ



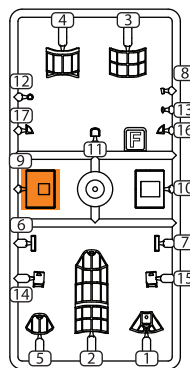
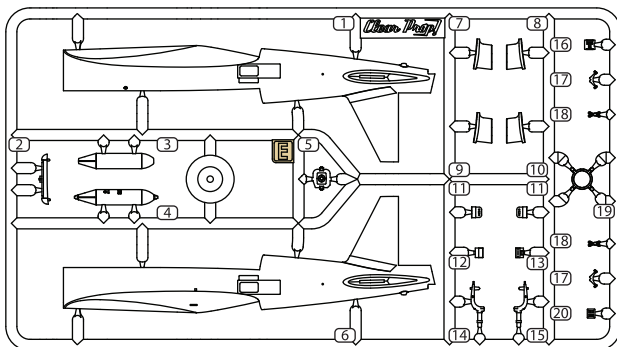
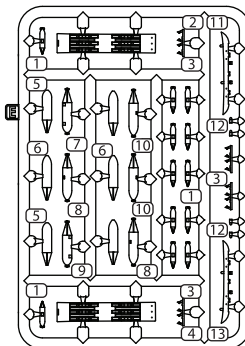
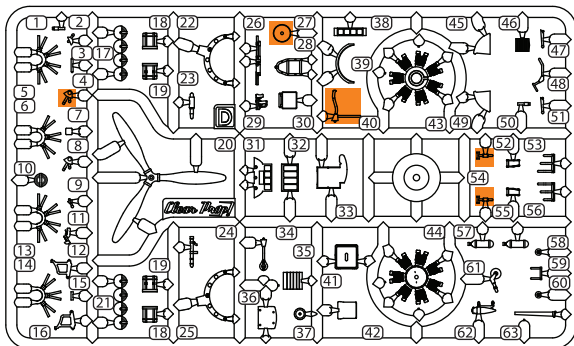
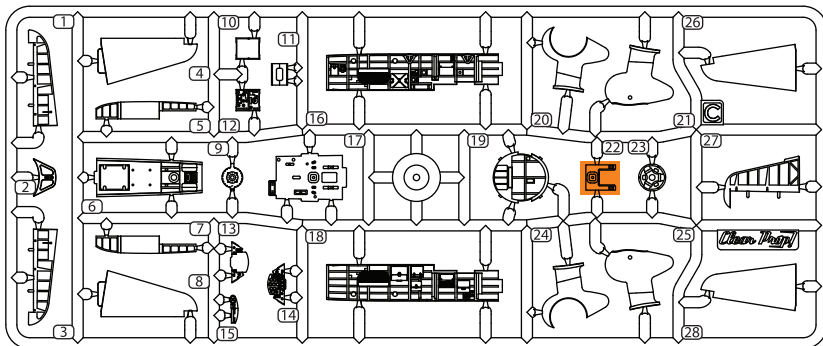
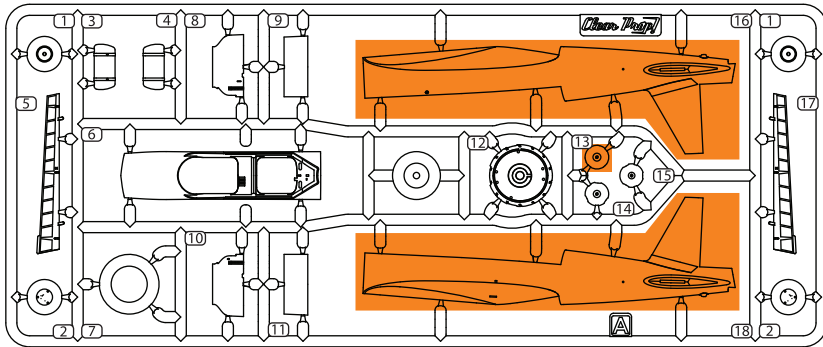
MR. COLOR 126
A.MIG-0270
COCPIT COLOR
(MITSUBISHI)



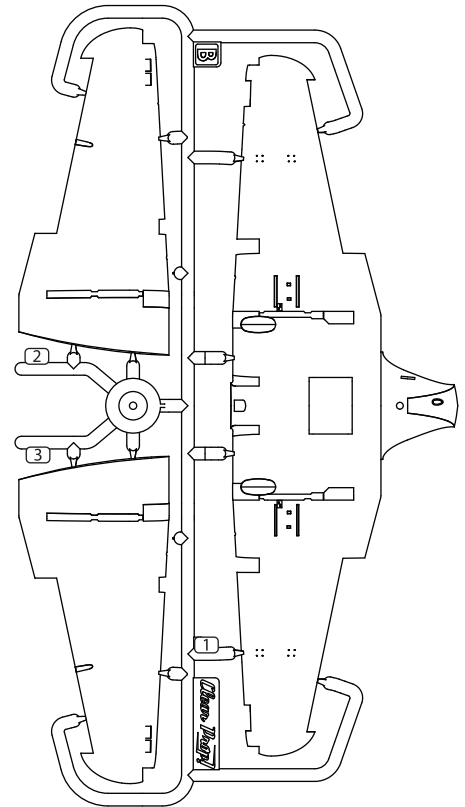
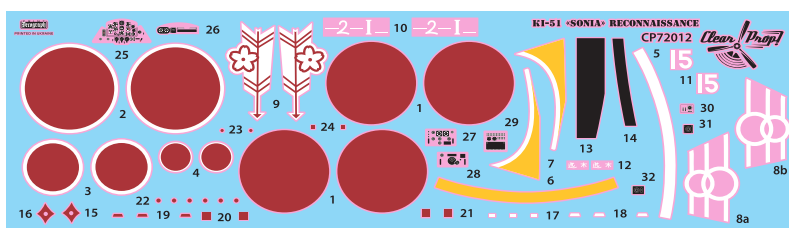
MR. COLOR 58
A.MIG-0125
ORANGE YELLOW



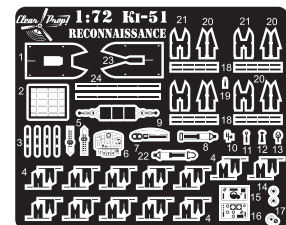
THIS MODEL IS PRODUCED FOR EXPERIENCED MODELERS OVER 14 YEARS



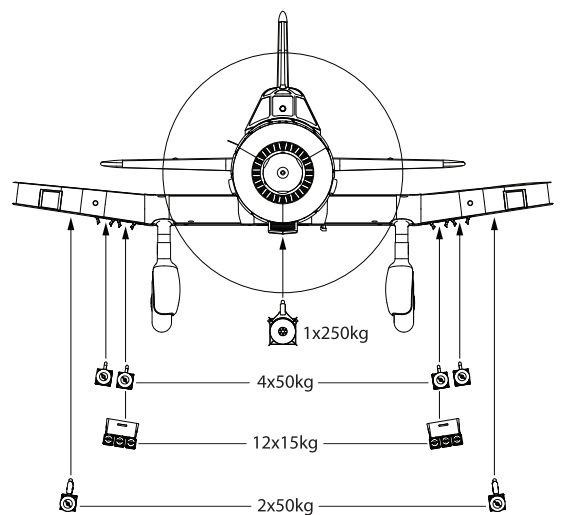
DECAL SHEET



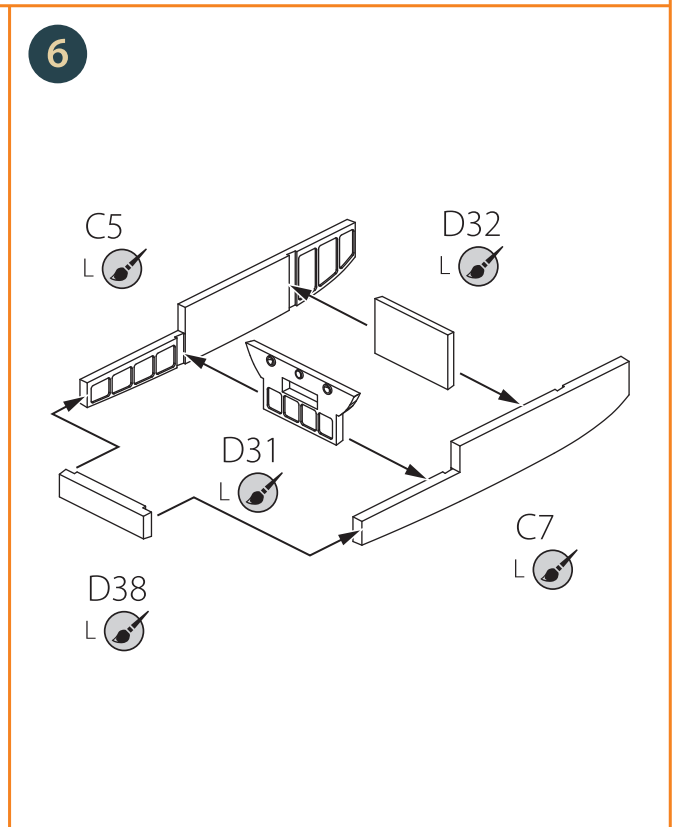
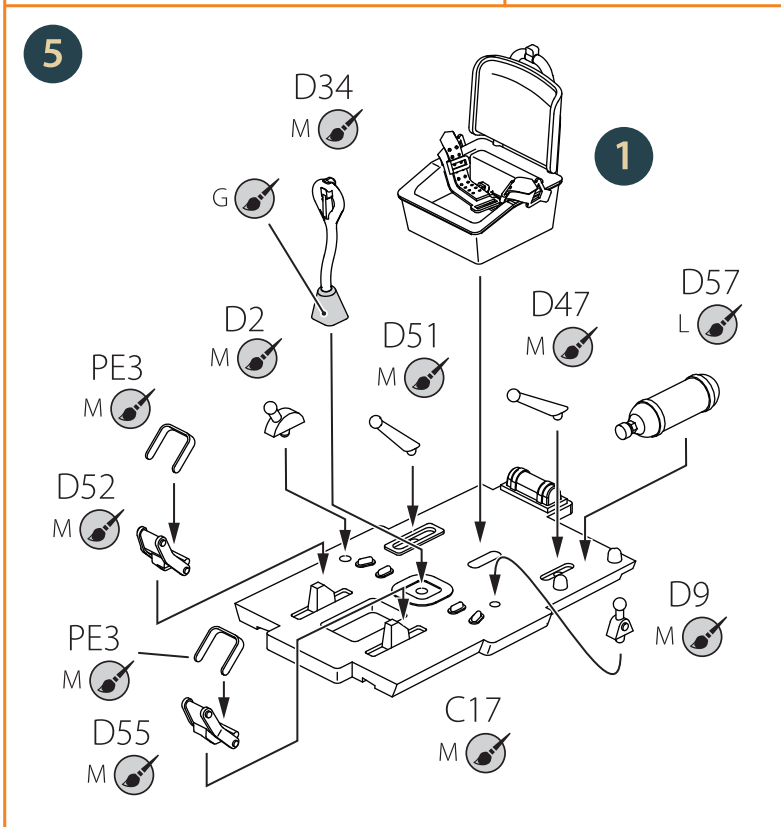
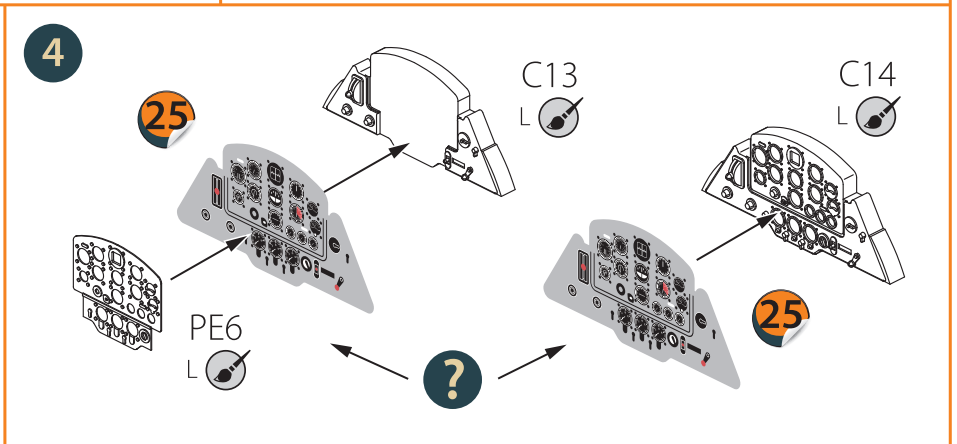
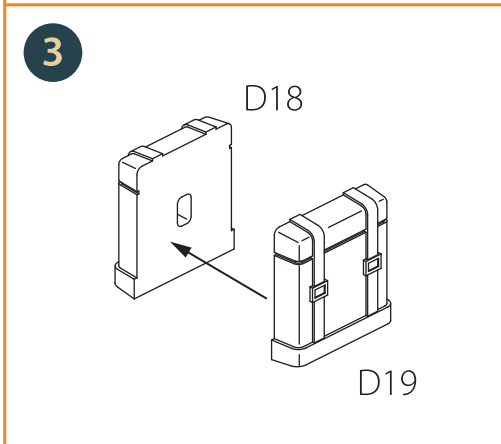
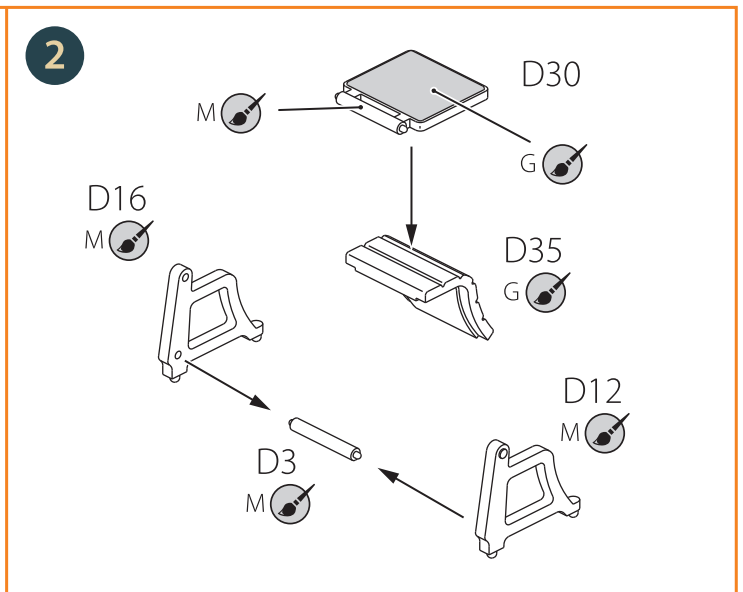
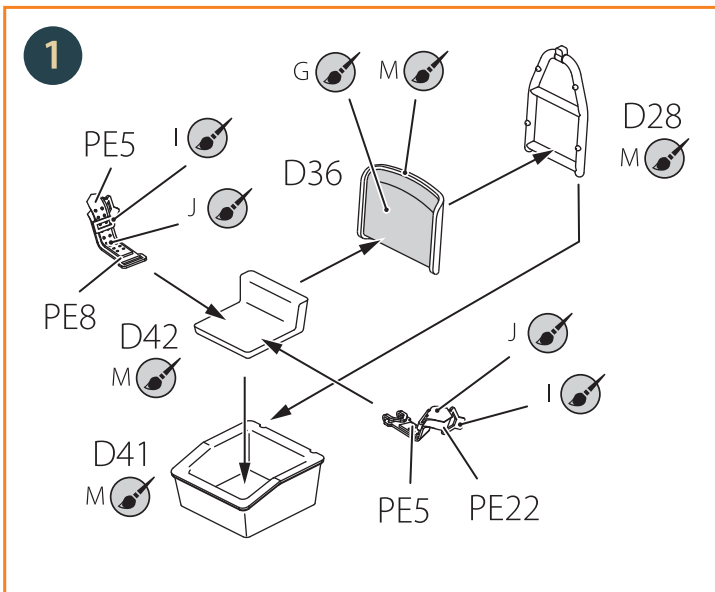
PHOTOETCHED PARTS

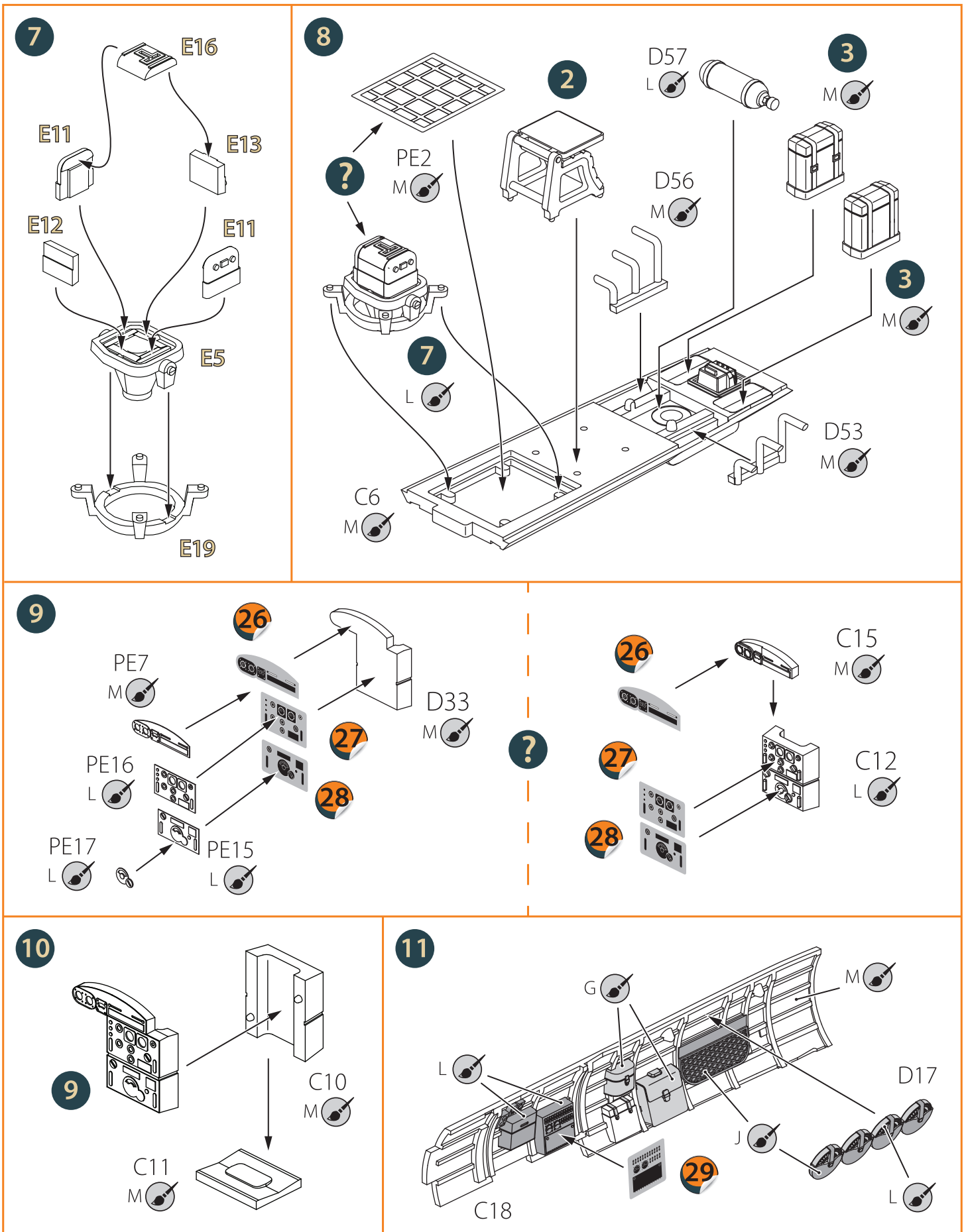


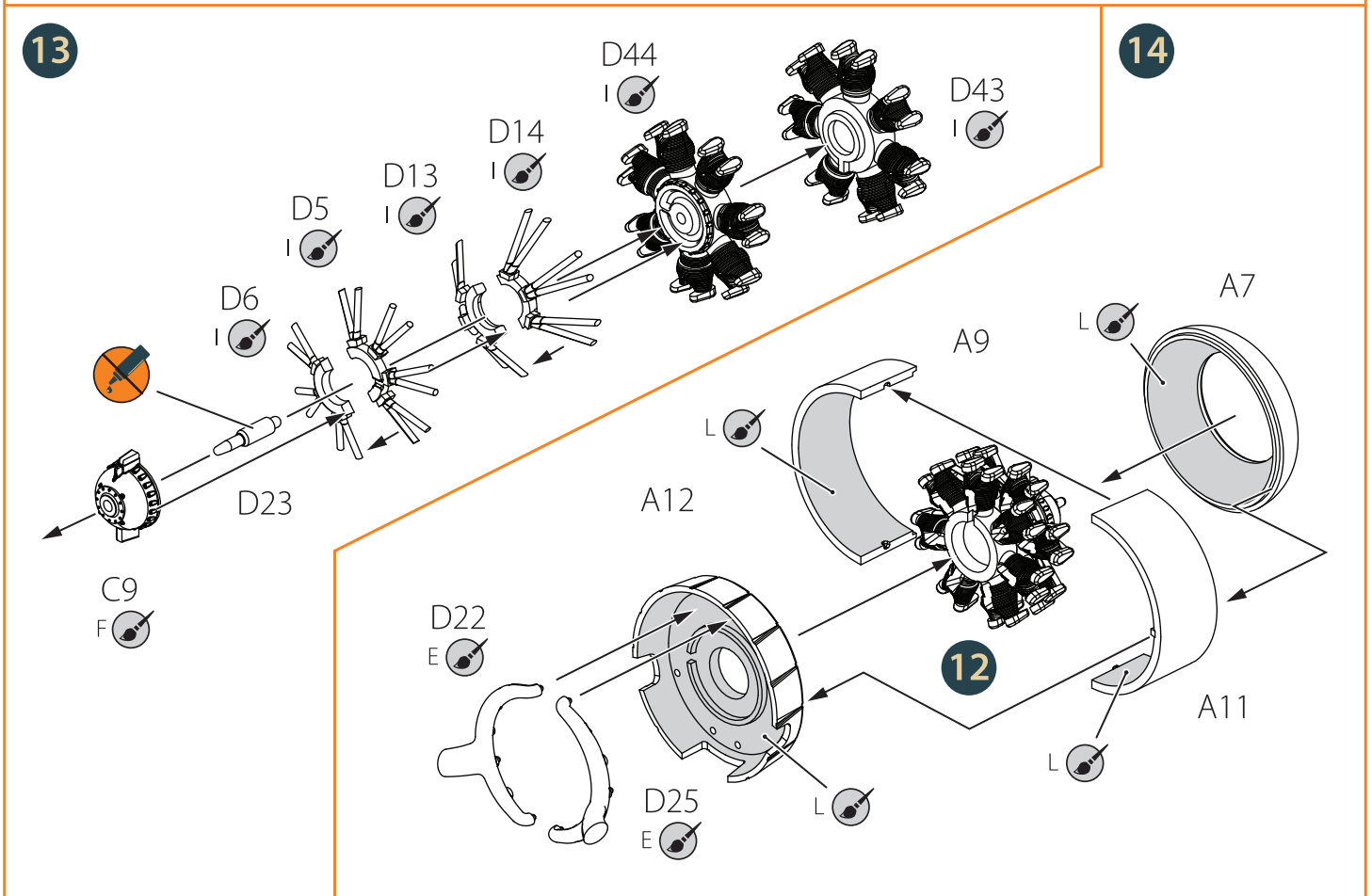
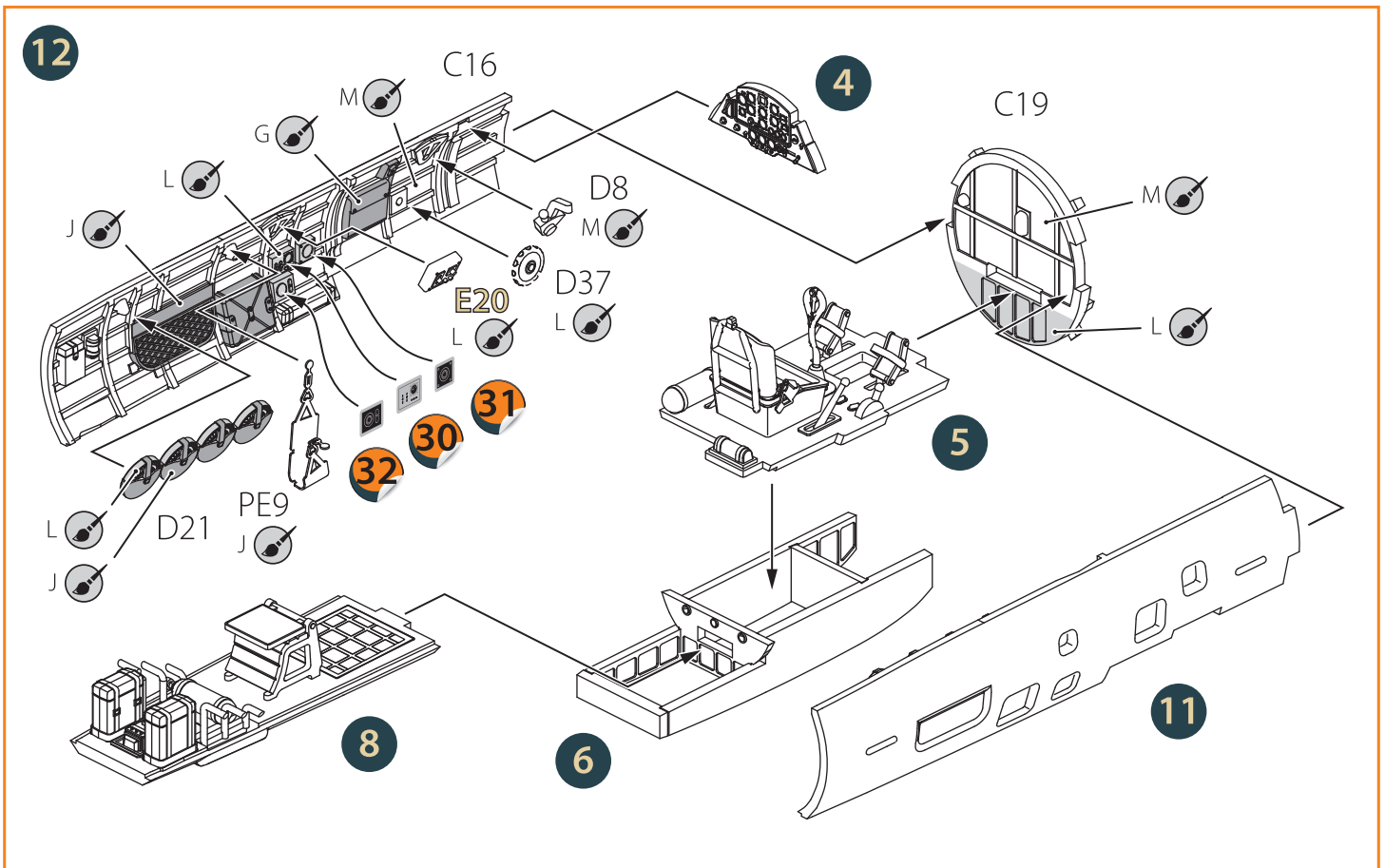
BOMB LOADS SCHEME

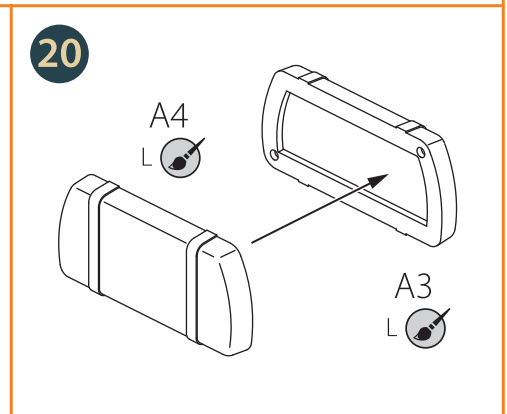
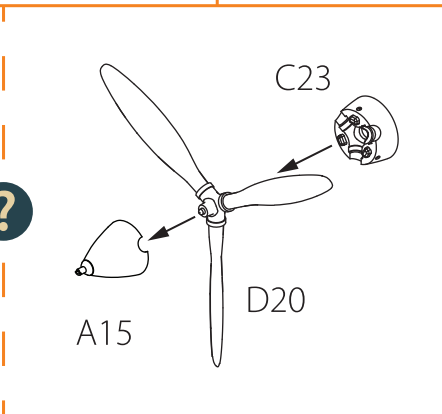
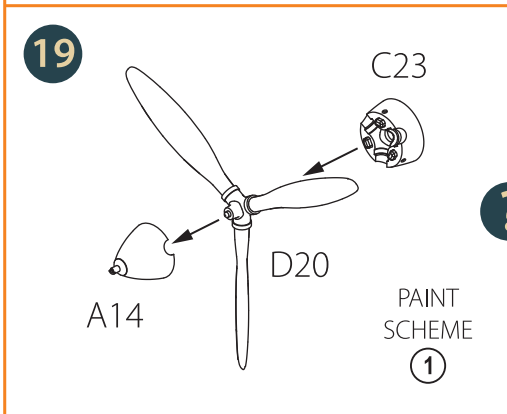
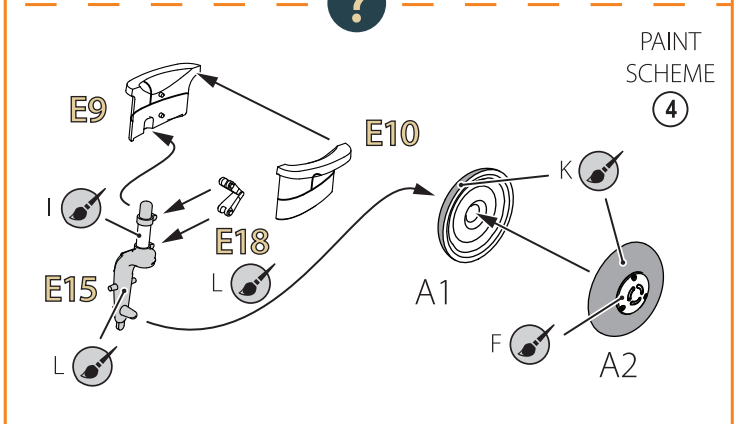
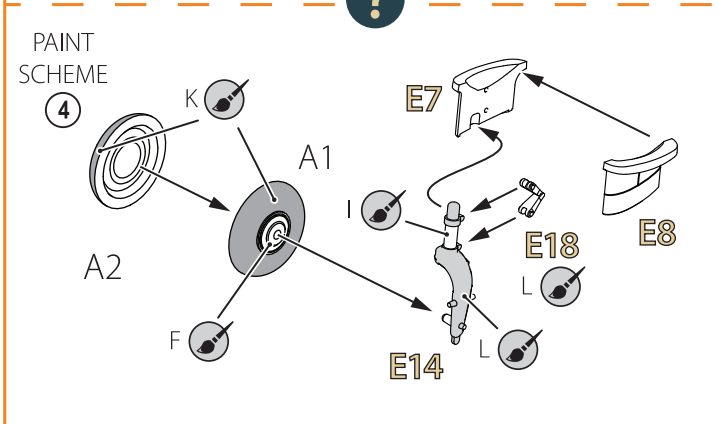
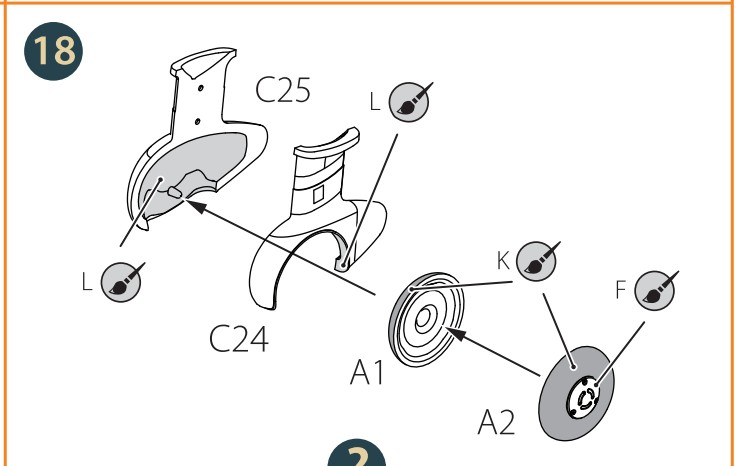
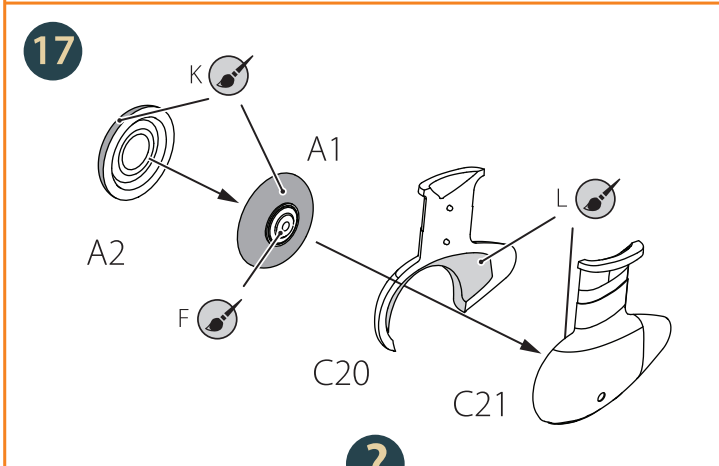
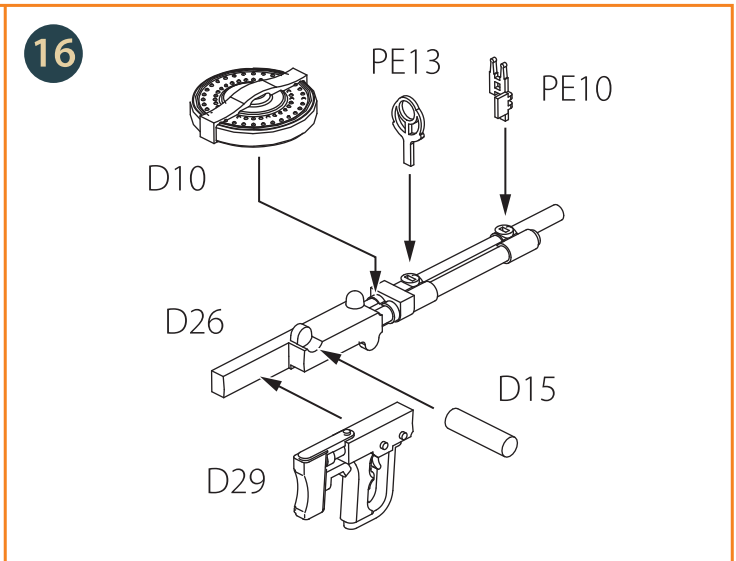
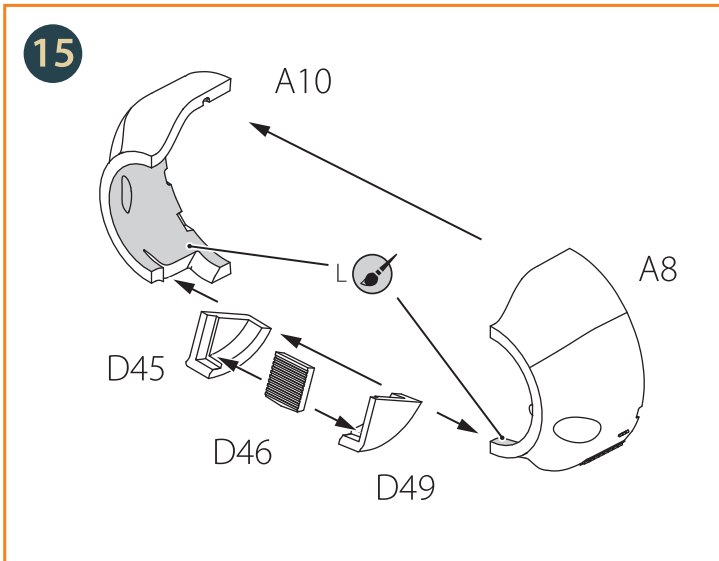


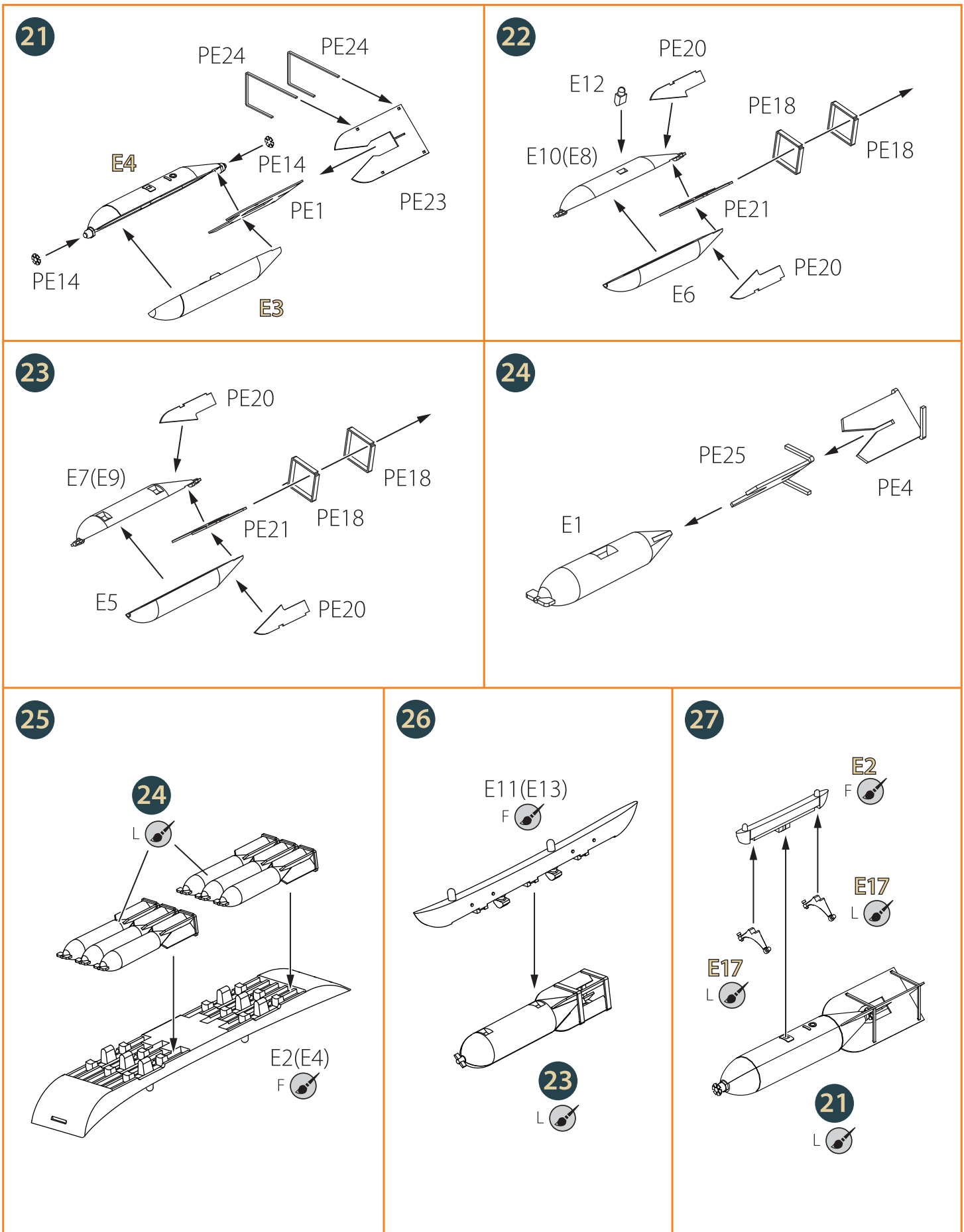
Parts not for use

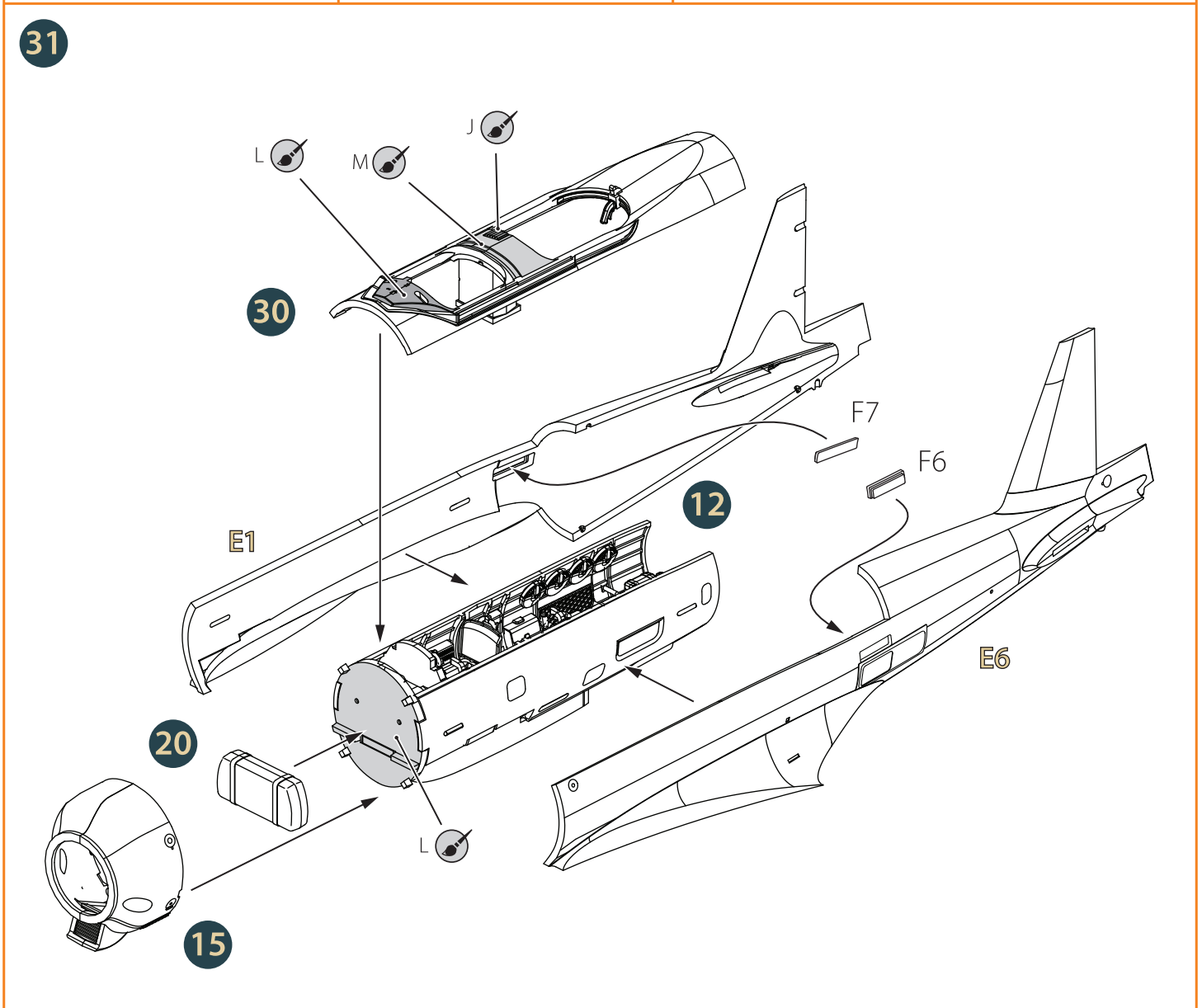
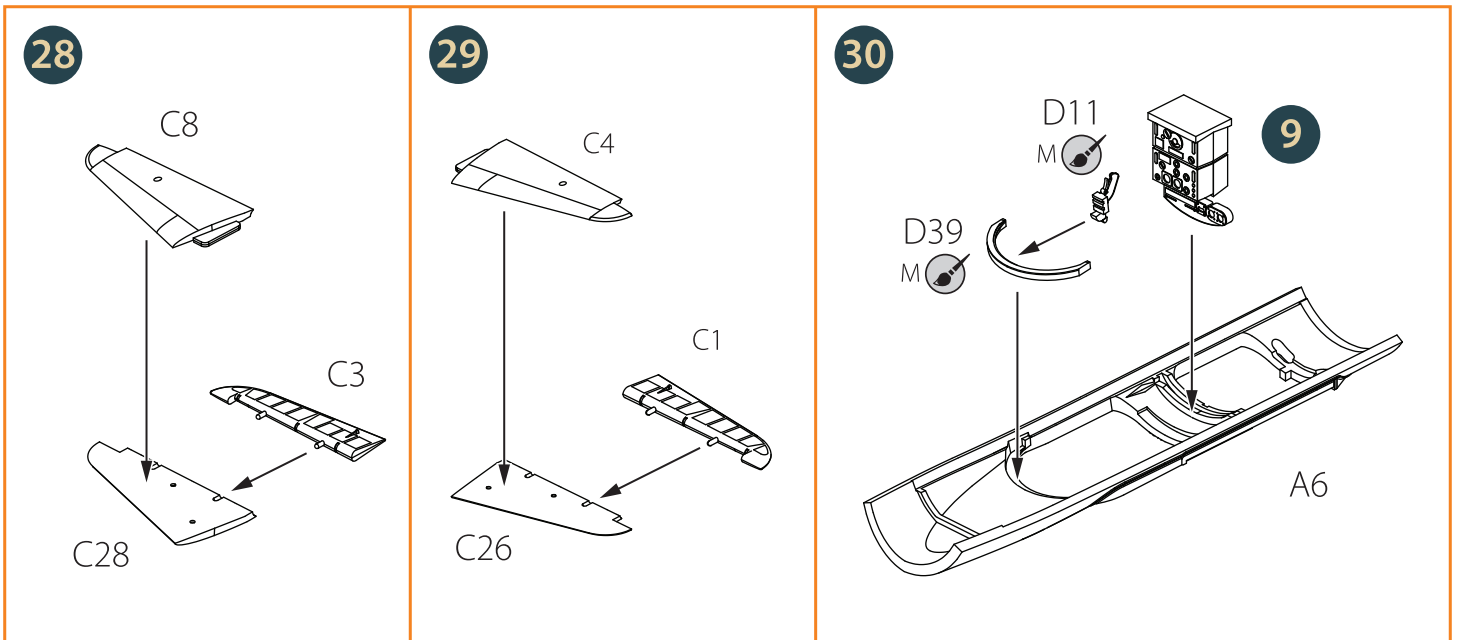




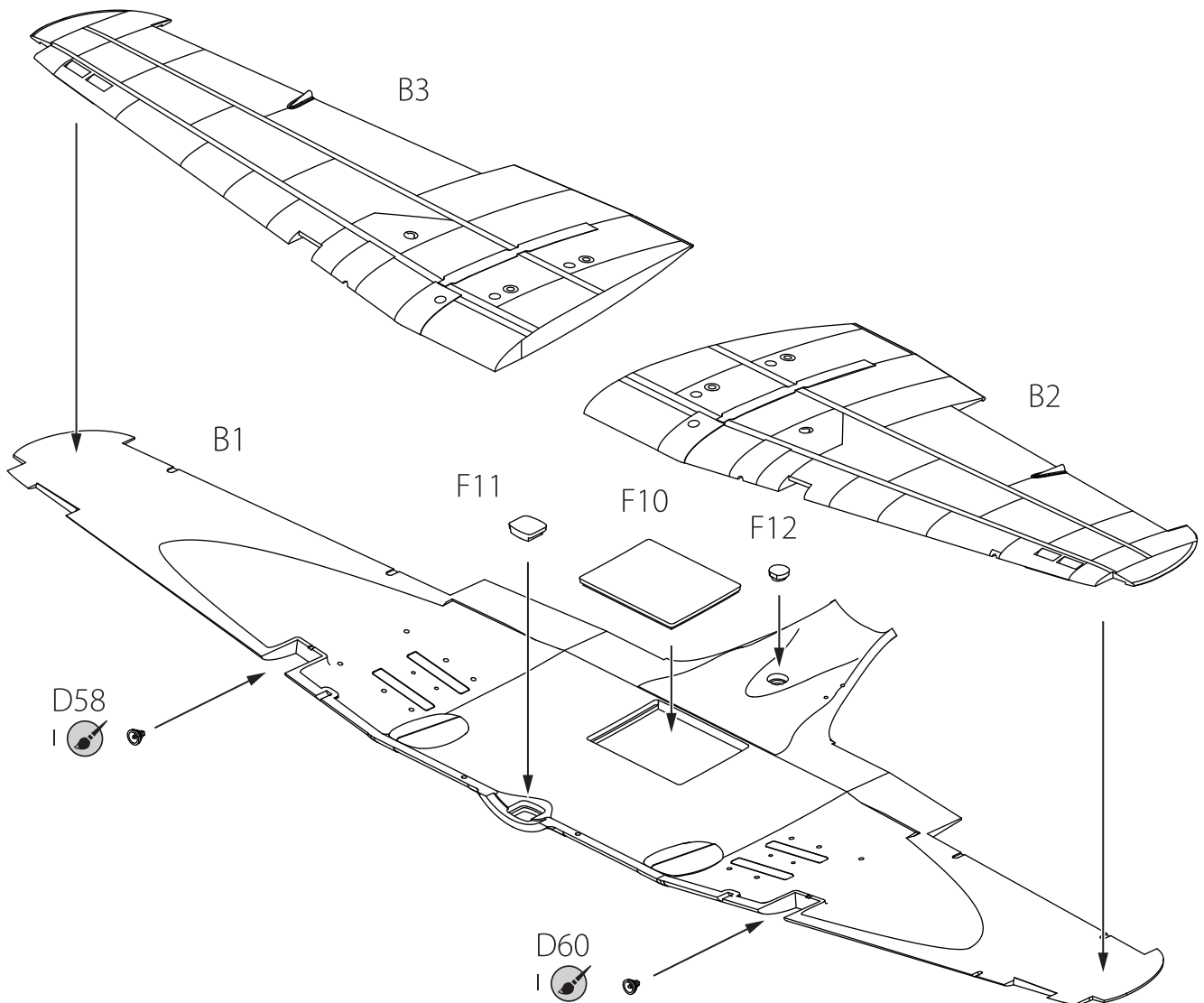
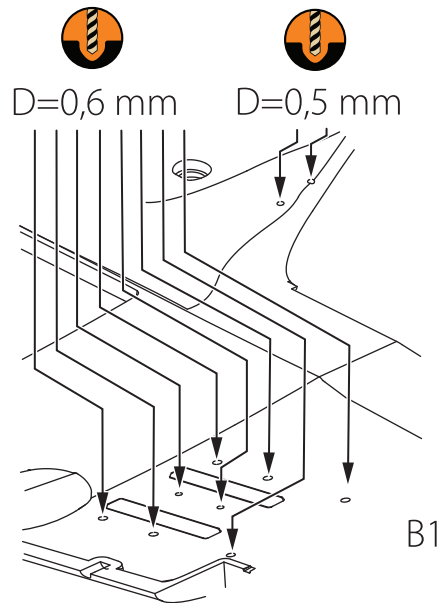
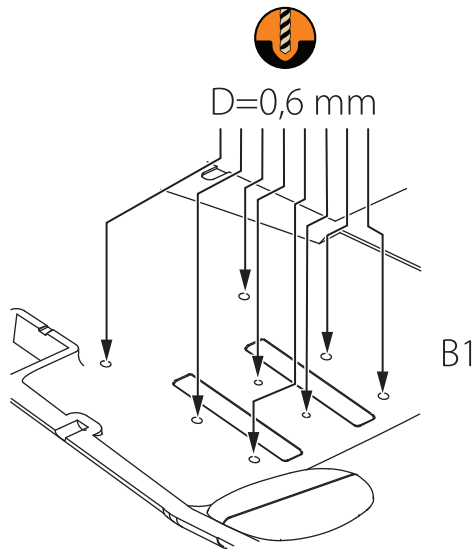


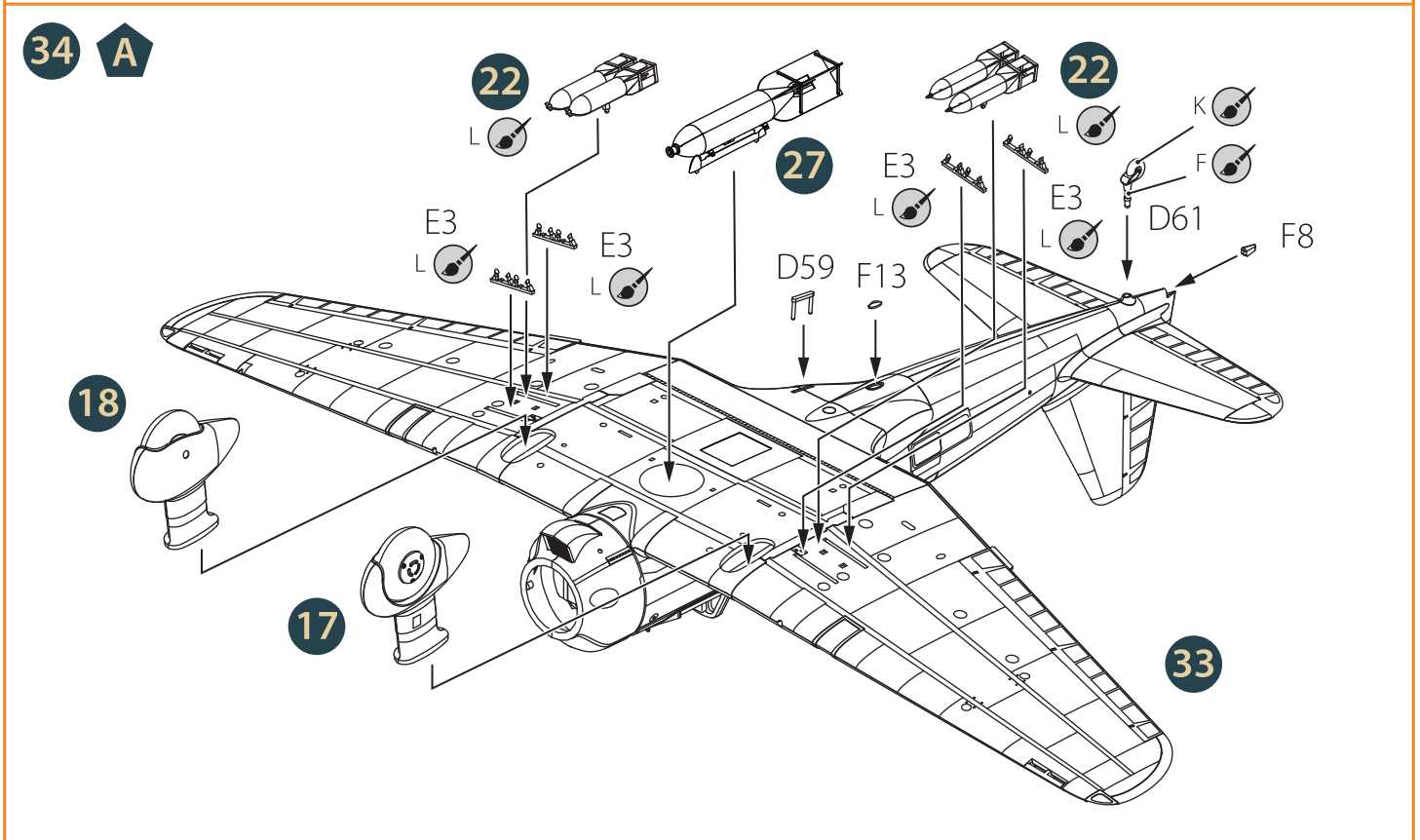
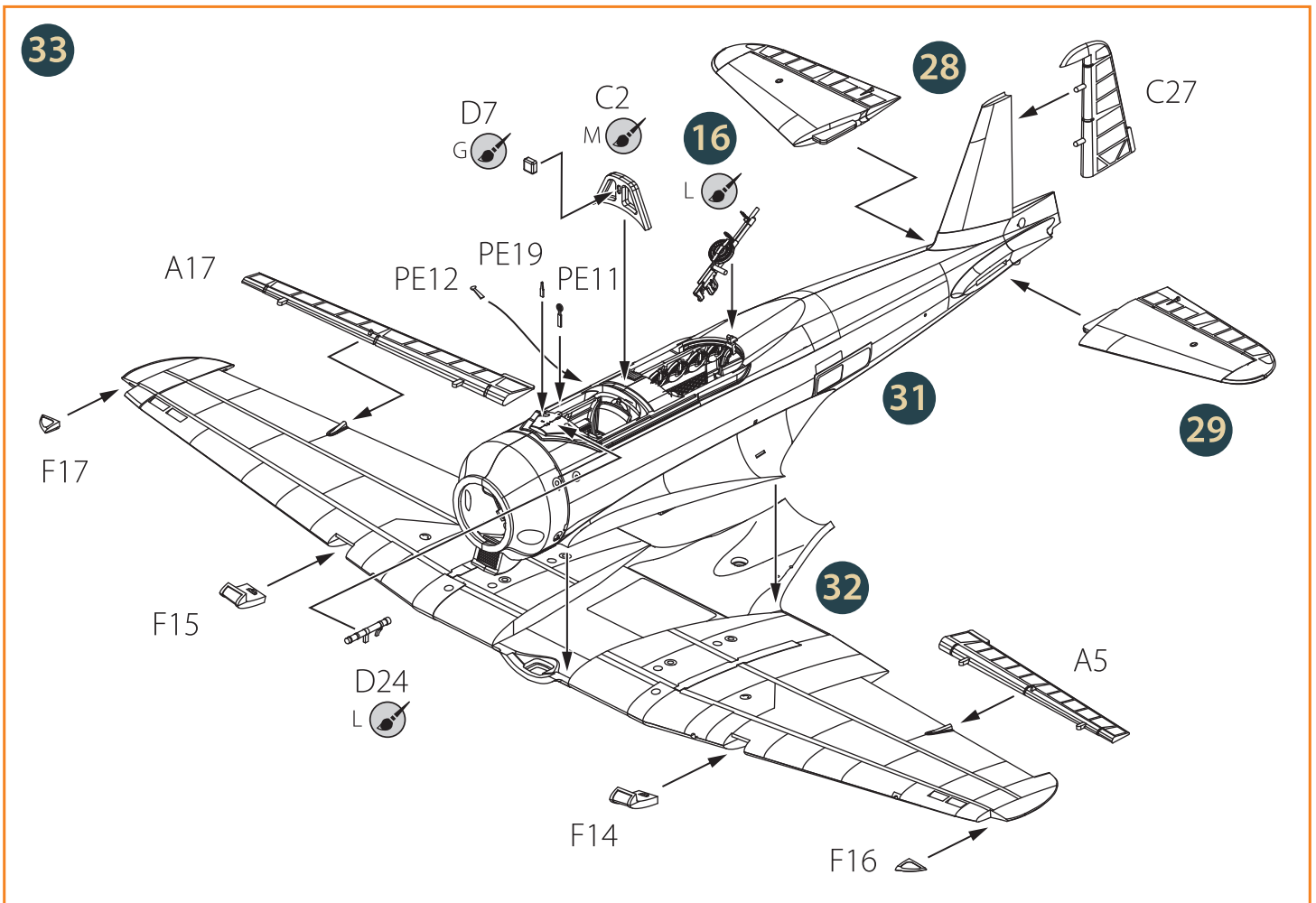


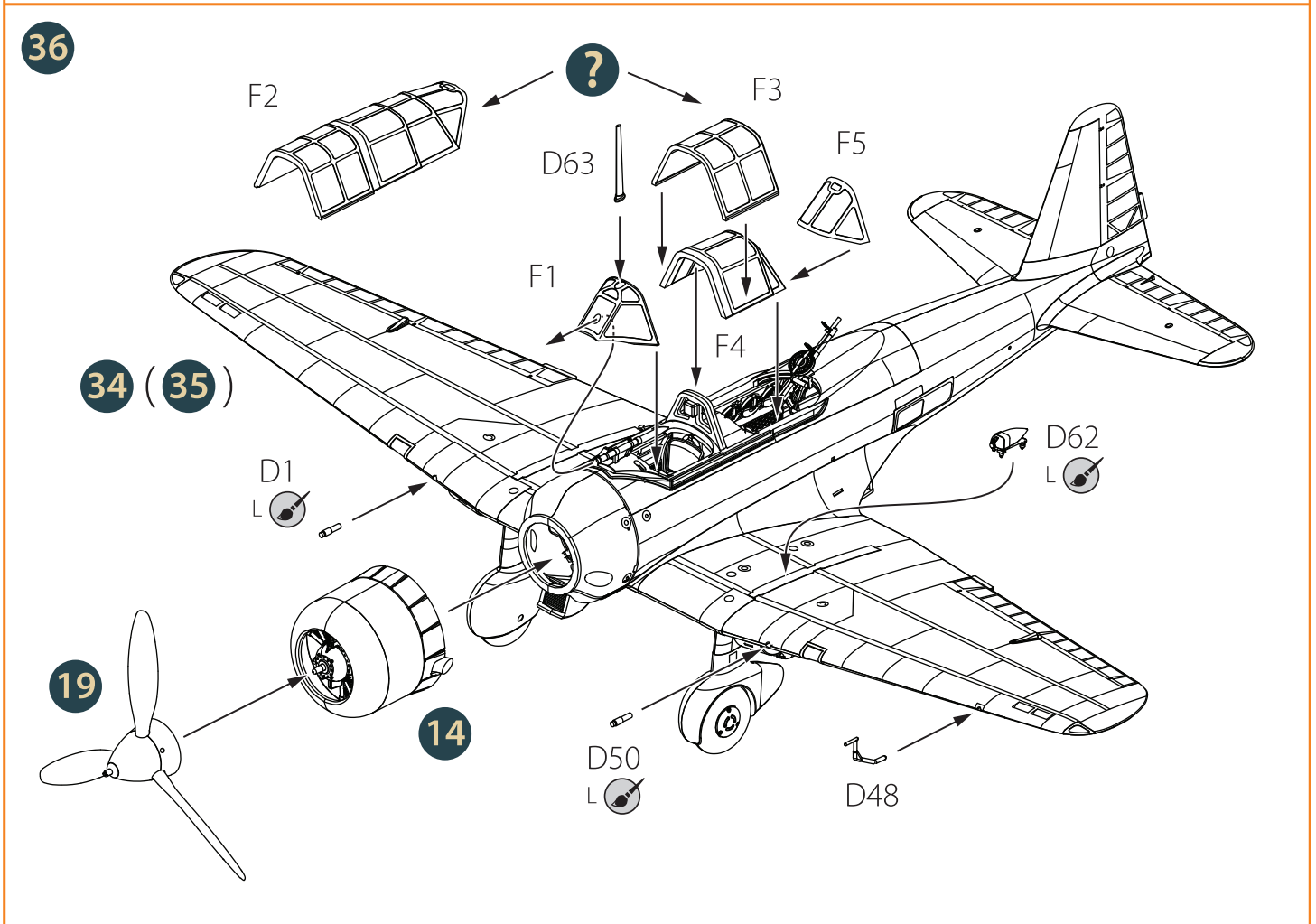
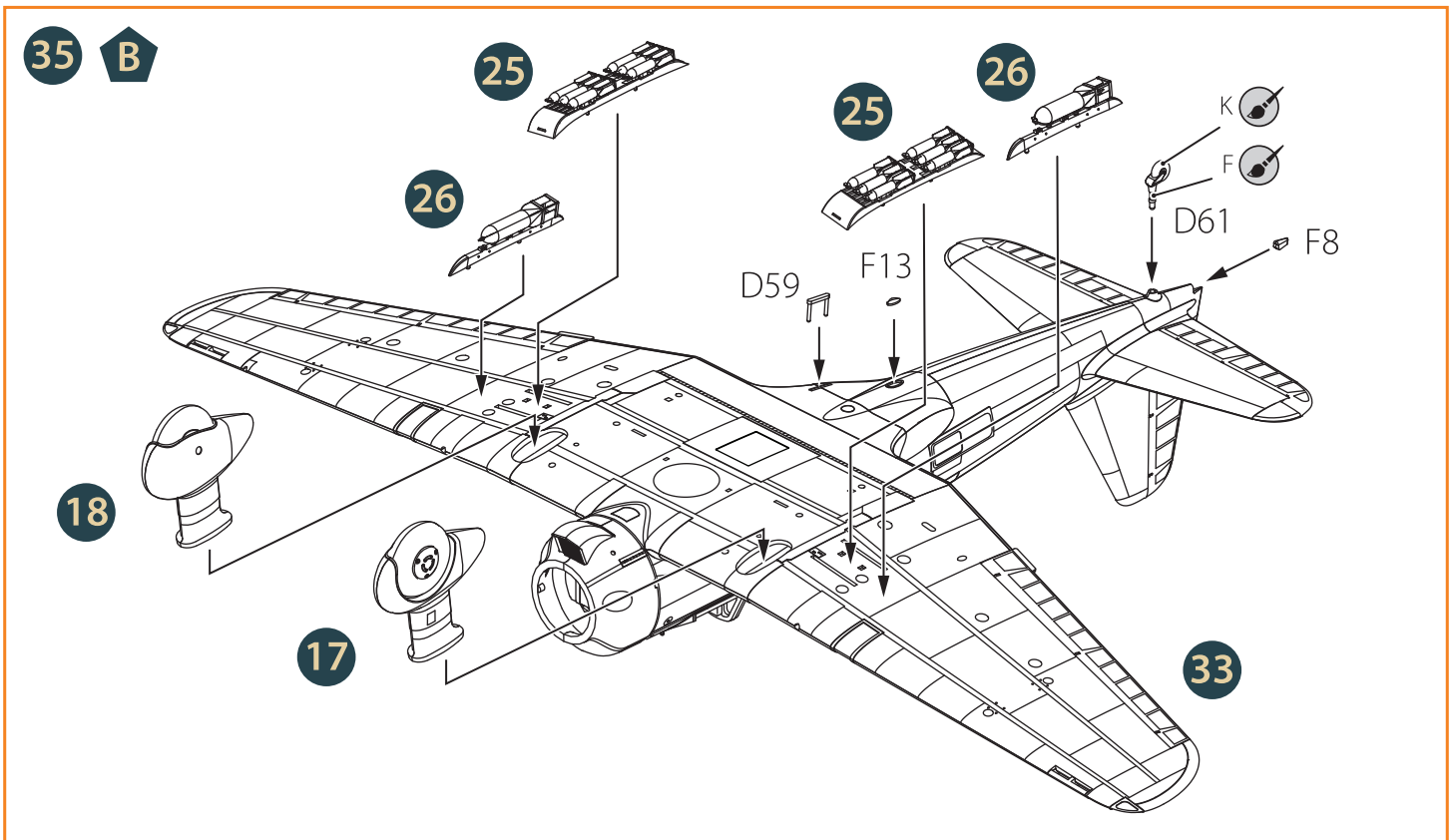




32









A
MR. COLOR 1
A.MIG-0050
WHITE



B
MR. COLOR 16
A.MIG-0260
IJA GREEN



C
MR. COLOR 28
A.MIG-0191
STEEL



D
MR. COLOR 47
A.MIG-0093
CLEAR RED



E
MR. COLOR 61
A.MIG-0187
BURNT IRON



F
MR. COLOR 128
A.MIG-0258
IJA GRAY GREEN

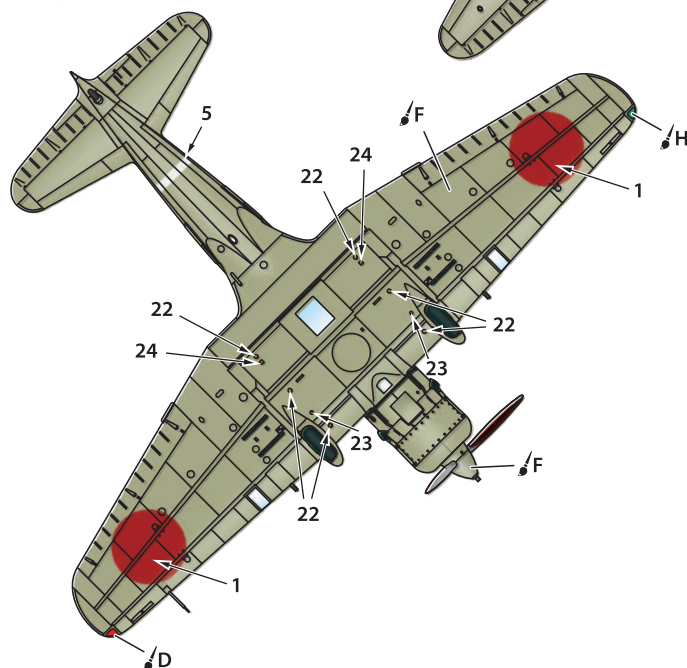
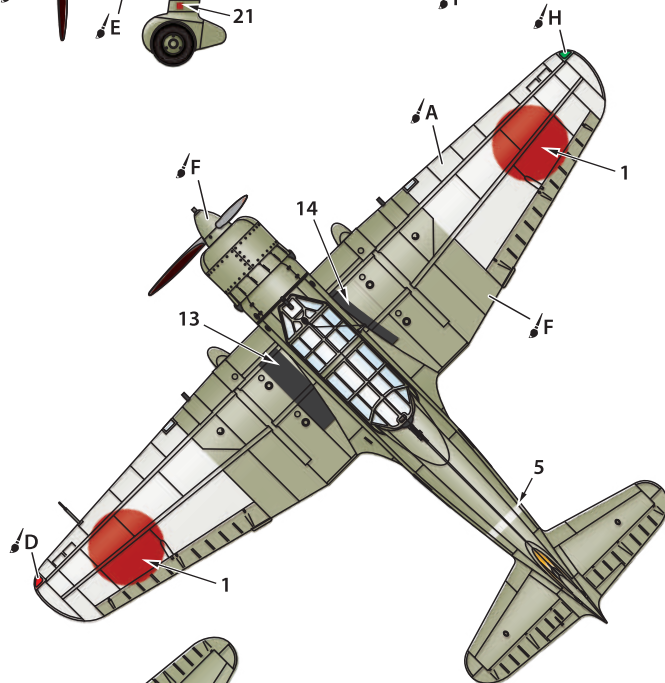
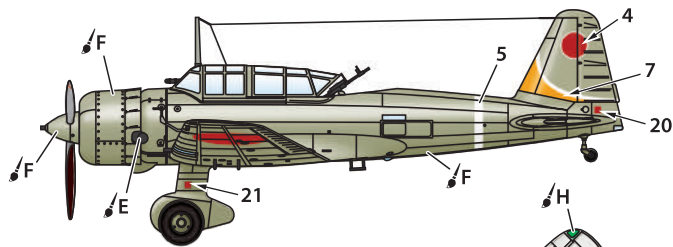


G
MR. COLOR 131
A.MIG-0034
PROPELLER COLOR

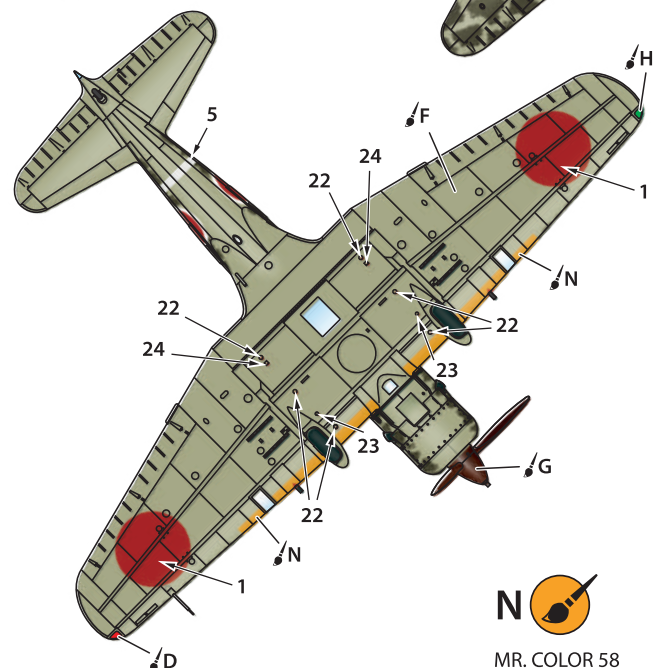
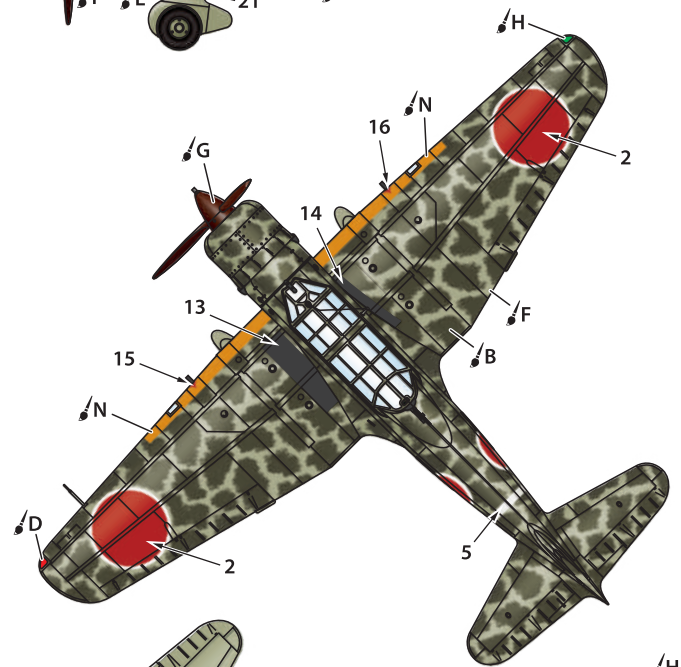
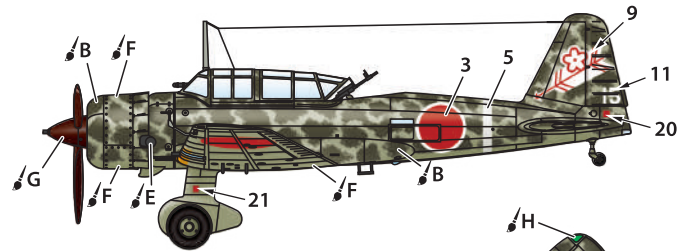


H
MR. COLOR 138
A.MIG-0092
CLEAR GREEN

① IJA Type 99 assault/recon. plane Ki-51 «Sonia»
44th Hikosentai, China 1942.



② IJA Type 99 assault/recon. plane Ki-51 «Sonia»
64th Shinbutai, Kyushu 1945.



N
MR. COLOR 58
A.MIG-0125
ORANGE YELLOW



A
MR. COLOR 1
A.MIG-0050
WHITE



B
MR. COLOR 16
A.MIG-0260
IJA GREEN



C
MR. COLOR 28
A.MIG-0191
STEEL



D
MR. COLOR 47
A.MIG-0093
CLEAR RED



E
MR. COLOR 61
A.MIG-0187
BURNT IRON



F
MR. COLOR 128
A.MIG-0258
IJA GRAY GREEN



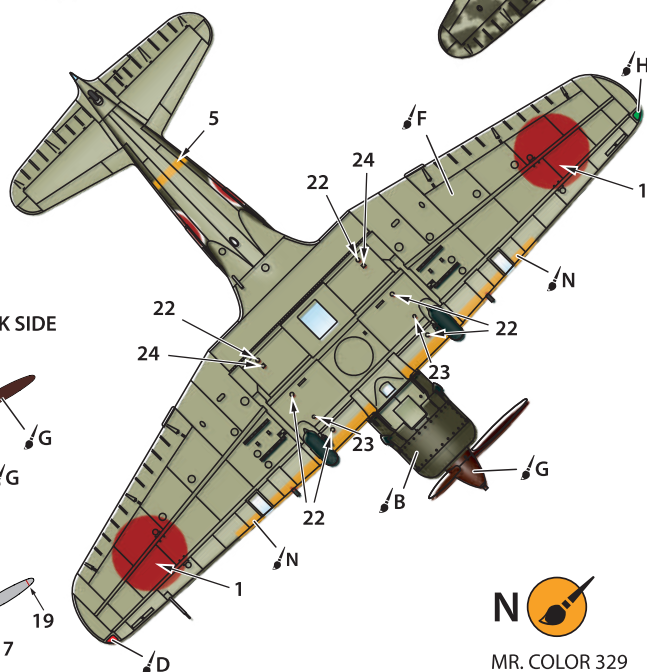
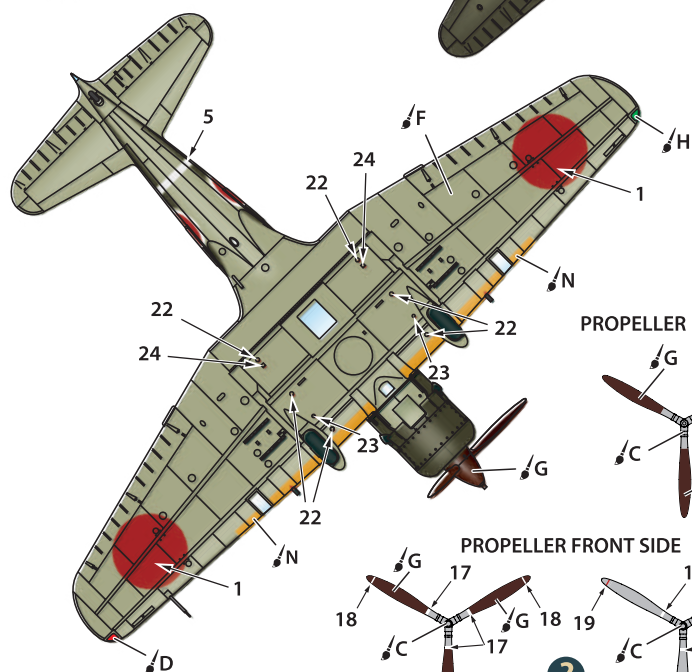
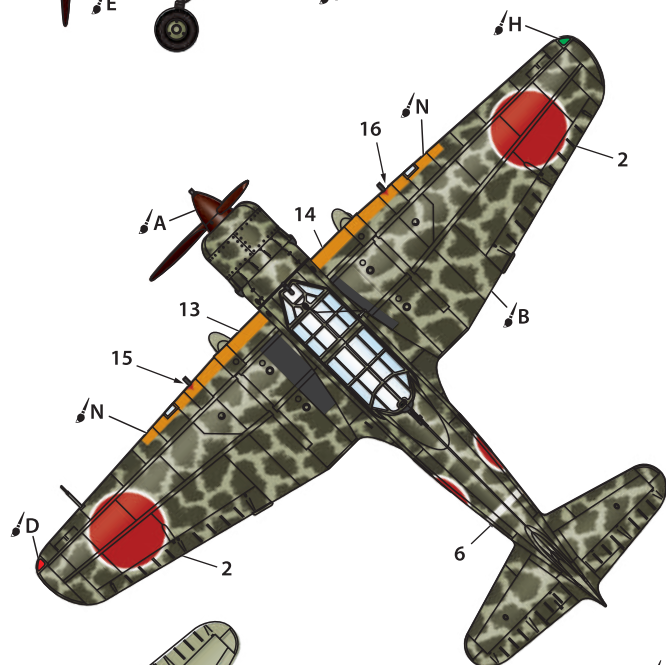
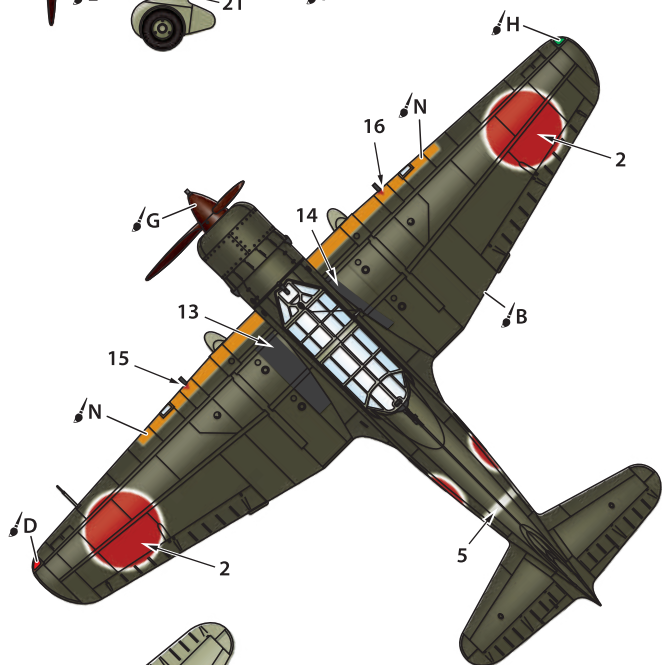
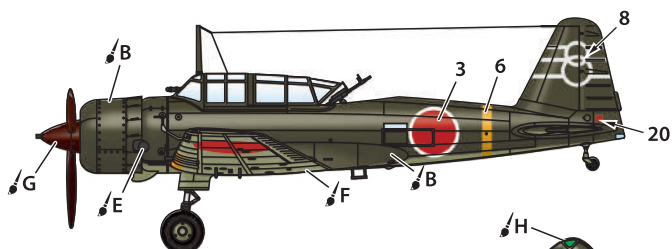
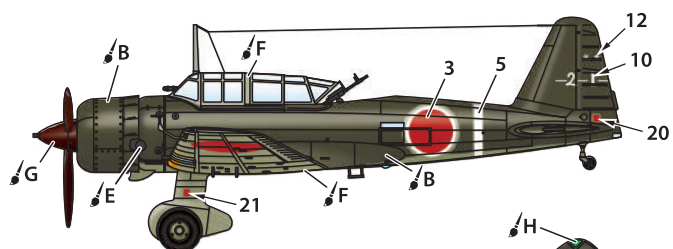
G
MR. COLOR 131
A.MIG-0034
PROPELLER COLOR



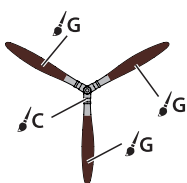
H
MR. COLOR 138
A.MIG-0092
CLEAR GREEN

3 IJA Type 99 assault/recon. plane Ki-51 «Sonia»
6th Sekichotai, Philippines 1945.

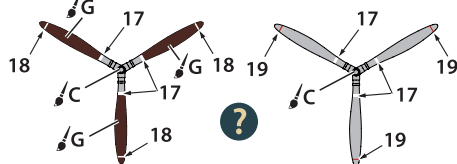
4 IJA Type 99 assault/recon. plane Ki-51 «Sonia»
83th Chutai, Borneo 1945.



PROPELLER BACK SIDE



PROPELLER FRONT SIDE



N
MR. COLOR 329
A.MIG-0125
ORANGE YELLOW



VISIT OUR SITE FOR MORE SCALE MODEL KITS

clearpropmodels.com

