

Novinky v řadě Military Vehicle / News in the Military Vehicles series:

**60 cm Flak Scheinwerfer (Flak Sw-36) mit Sd.Ah.51 'Světlomet 60N s vlečkem'**  
**MV130**  
 1/72

DETAILNÍ 3D TISŤENÁ STAVEBNICE  
 DETAILED 3D PRINTED KIT



MADE IN THE CZECH REPUBLIC

**15 cm TbtSk C/36 'WWII German Atlantic Wall Gun'**  
**MV126**  
 1/72

DETAILNÍ RESINOVÝ MODEL S LEPTÝ  
 DETAILED RESIN KIT WITH PE FRET



MADE IN THE CZECH REPUBLIC

**Elektrischer Generator 8kw für Flak Sw-36 mit Sd.Ah.51**  
**MV131**  
 1/72

DETAILNÍ 3D TISŤENÁ STAVEBNICE  
 DETAILED 3D PRINTED KIT



MADE IN THE CZECH REPUBLIC

**Fordson WOT2E 'British WWII 15-cwt truck'**  
**MV134**  
 1/72

MADE IN THE CZECH REPUBLIC  
 Detailed kit contains resin cast parts, 3D printed parts, decals and PE fret



3D tištěné a odlévané sady pro 1/72 bojovou techniku  
 3D printed and casted 1/72 AFV sets

**B72107 15 cm Nebelwerfer 41 / 3,7 cm PaK 36 Wheels**  
 1/72  
 for Special Hobby kit

PUR - Polyurethane parts



© Special Hobby 2022

Special Hobby, Mezilesí 718, Praha 9, 193 00, Czech Republic  
 e-mail: office@specialhobby.eu

**P72007 Czech Hedgehog (Rozsocháč) - WWII Anti-tank Barrier (4 pcs)**  
 1/72

3D-Printed Parts



**P72006 German WWII Aircraft Maintenance Toolbox**  
 1/72

3D-Printed Parts



**P72003 Transport box with Panzerfausts**  
 1/72

3D-Printed Parts



**2062 Concrete Hedgehog**  
 1/72  
 WWII Anti-tank Barrier (4 pcs)

Resin Parts




Odlévaný model / All resin kit

**MV132**  
**1/72**

**Morris CS 9 British Light Armoured Car 'Battle of France'**

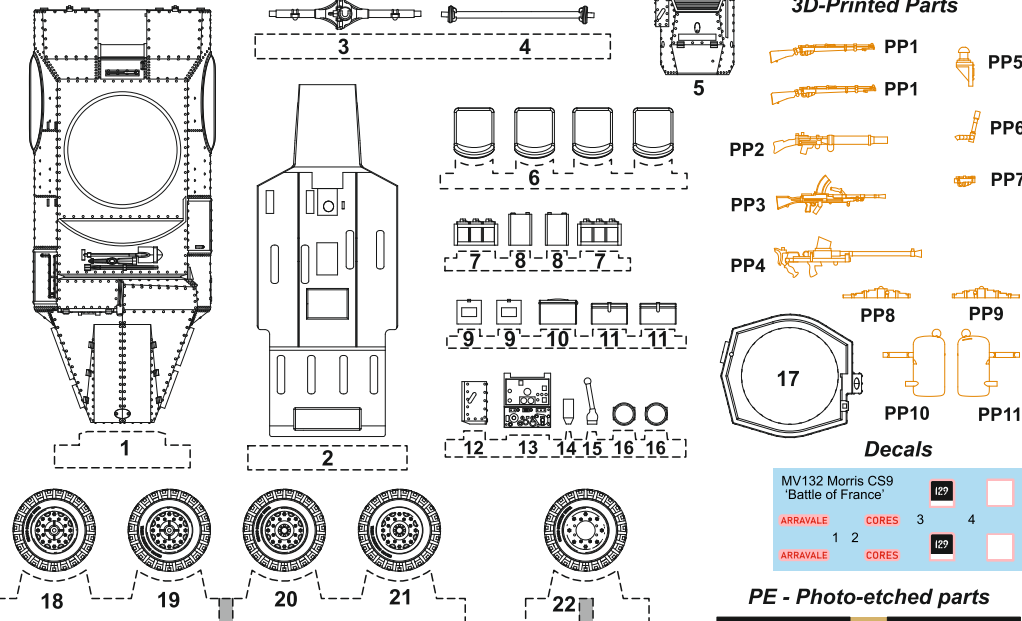
Visit our official website and e-shop at

[www.cmkkits.com](http://www.cmkkits.com)  
[www.specialhobby.eu](http://www.specialhobby.eu)

[www.facebook.com/specialhobby](https://www.facebook.com/specialhobby)

PUR - Polyurethane parts

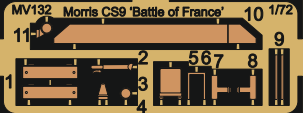
**3D-Printed Parts**



**Decals**

MV132 Morris CS9 'Battle of France'	I29	
ARRAVALE	CORES	3 4
ARRAVALE	CORES	1 2

**PE - Photo-etched parts**



Resinové díly ohnuté popř. pokroucené vlivem teplotních změn a stárnutí materiálu, mohou být narovnány do požadovaného tvaru pomocí proudu teplé vody nebo vzduchu (fén na vlasy). Ohnuté 3D tisky narovnejte ponořením do horké vody, srovnejte je a zchladte studenou vodou. K lepení použijte kyanoakrylátové lepidlo! Kontaktní plochy doporučujeme před lepením odmastit. Různé drátky a tyčinky nejsou přiloženy.

Parts slightly distorted and bent owing to temperature changes or due to material aging can be straightened to requested shape by hot water or hot air jet (hair dryer). This process can be repeated till result is entirely satisfactory. You can also correct bent 3D printed parts: put them into hot water, straighten them and cool them in cold water.

For best result use cyanoacrylate glue! Ungreasing contact areas is recommended before gluing.  
 Wires and rods not included.

**SYMBOLS**



MOŽNOST VOLBY  
 OPTIONAL  
 NACH BELIEBEN  
 OPTION

POUŽÍTE KYANOAKRYLÁTOVÉ LEPIDLO  
 INSTANT CYANOACRYLATE GLUE  
 ZYANOAKRYLATKLEBER  
 ADHESIF CYANOACRYLAT

OHNOUT  
 BEND  
 BIEGEN  
 COURBER

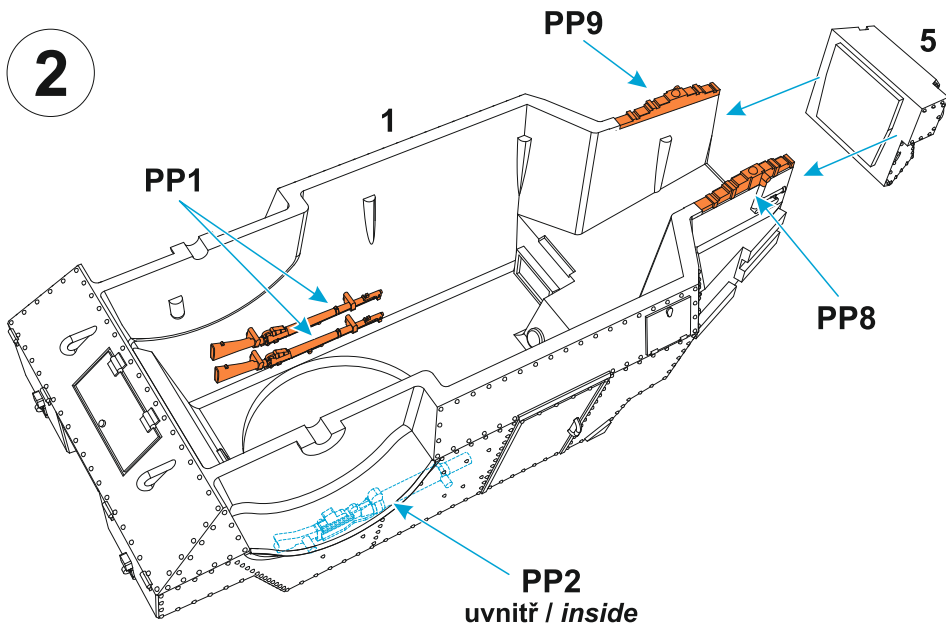
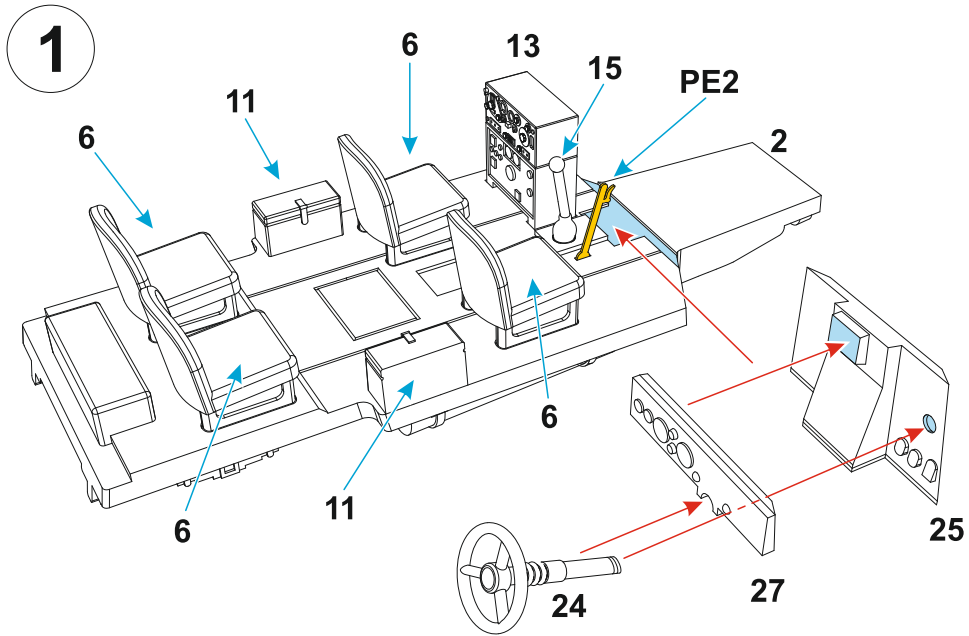
ZHOTOVIT NOVÉ  
 SCRATCH BUILD  
 FERTIGSTELLEN  
 ACHEVER

ŘEZATÍ/VRTAT  
 CUT OFF/DRIILL  
 ENTFERNEN  
 DETACHER

CS1  
 colours code  
 NATŘÍT  
 COLOUR  
 FARBEN  
 PEINDRE

[facebook.com/specialhobby](https://www.facebook.com/specialhobby)  
[WWW.SPECIALHOBBY.EU](http://WWW.SPECIALHOBBY.EU) | [WWW.CMKKITS.COM](http://WWW.CMKKITS.COM)

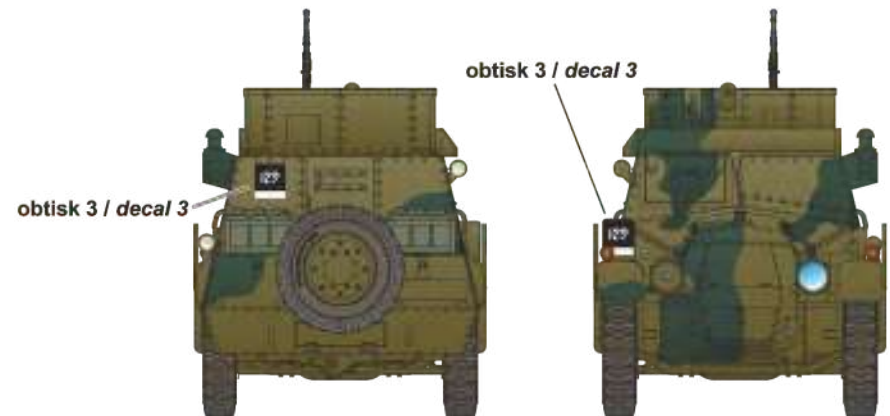
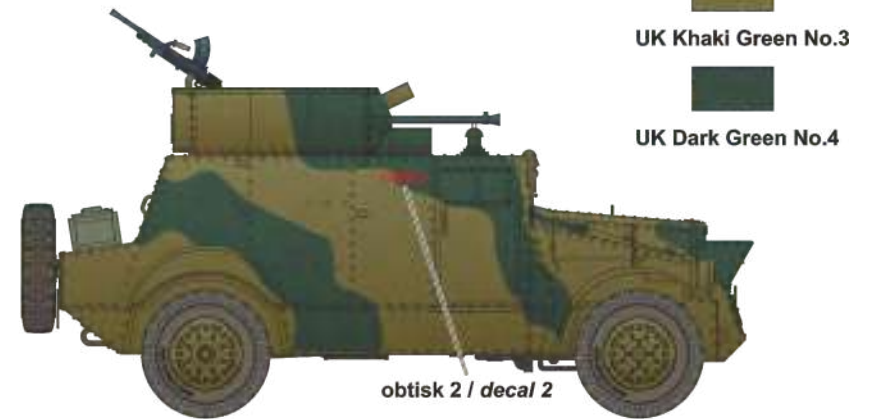
Producer: Special Hobby, Mezilesí 718, 193 00 Praha 9, Czech Republic



Morris CS 9, pluk 12th Royal Lancers, C squadron, pojmenovaný Cores, Francie, podzim 1939.

*Morris CS 9, 12th Royal Lancers regiment, C squadron, named Cores, Francie, autumn 1939.*

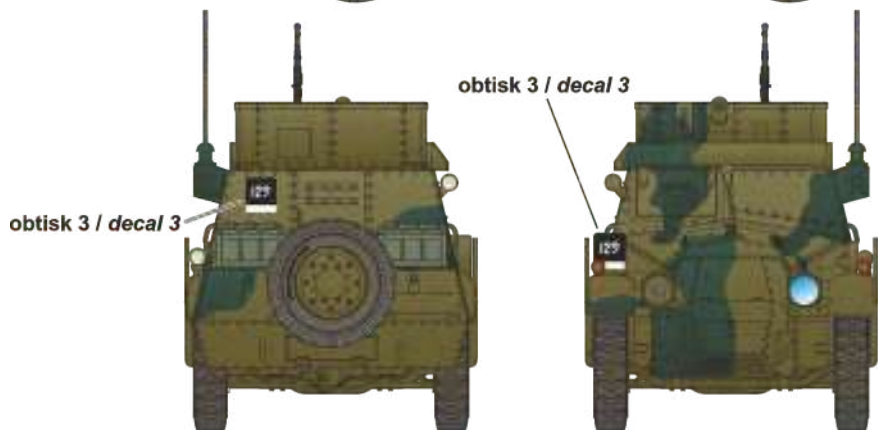
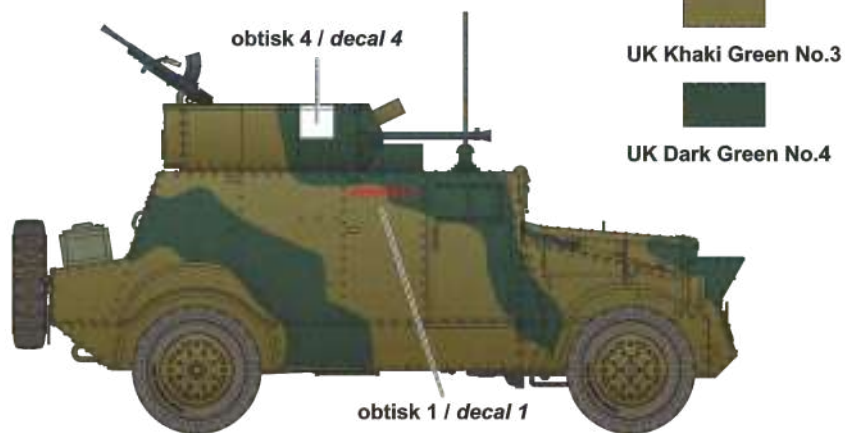
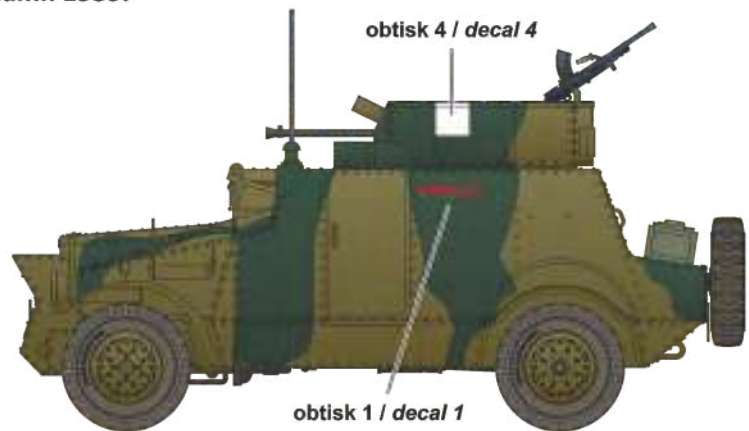
**B**



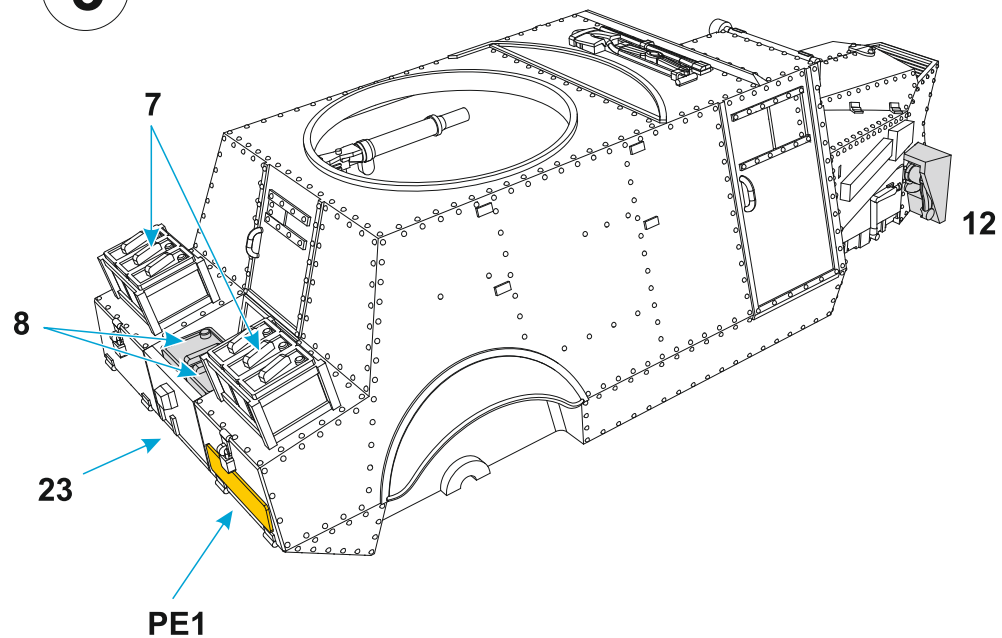
Morris CS 9, pluk 12th Royal Lancers , A squadron, pojmenovaný Arravale, Avesnes, Francie, podzim 1939.

Morris CS 9, 12th Royal Lancers regiment, A squadron, named Arravale, Avesnes, Francie, autumn 1939.

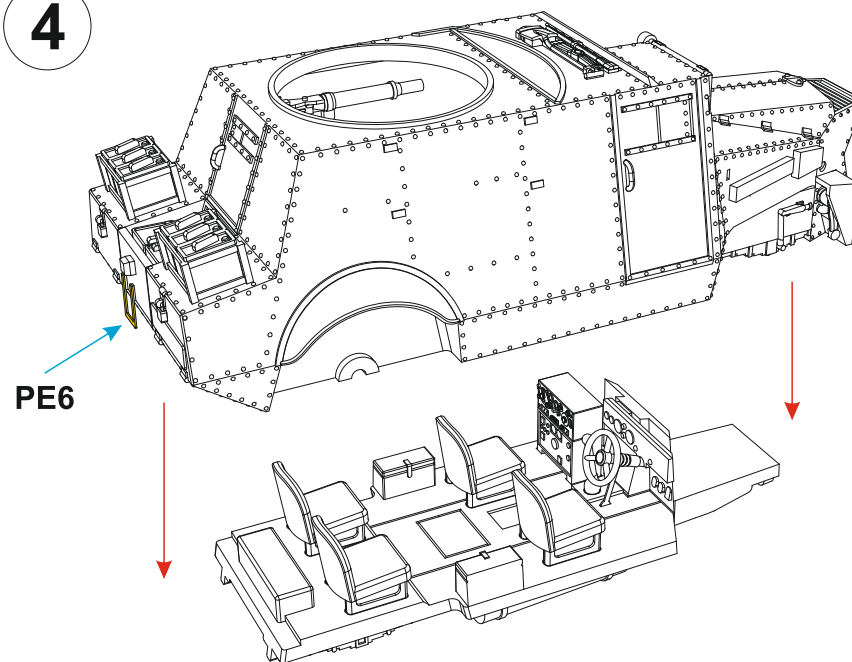
**A**



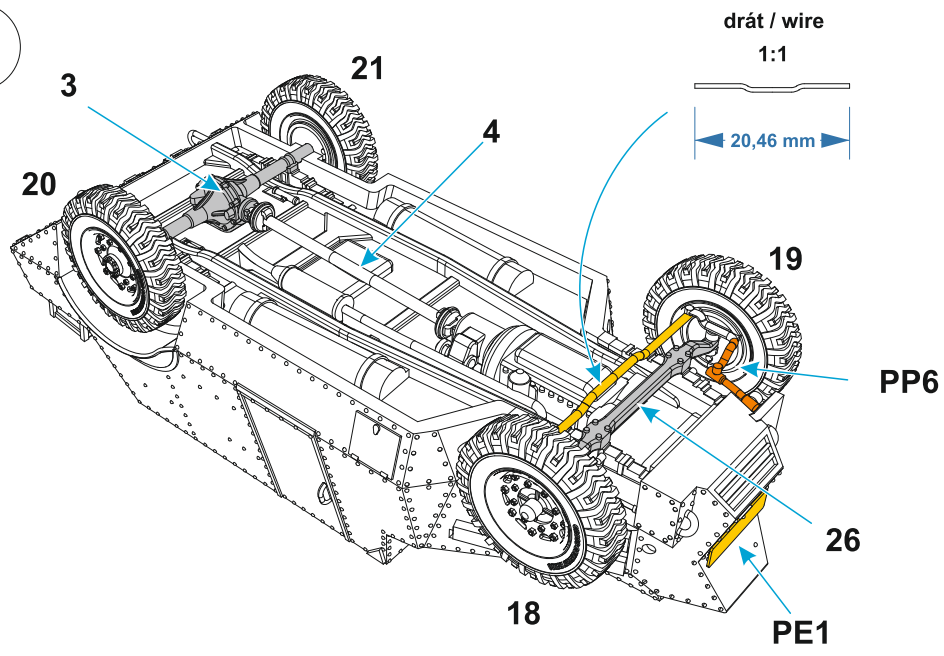
**3**



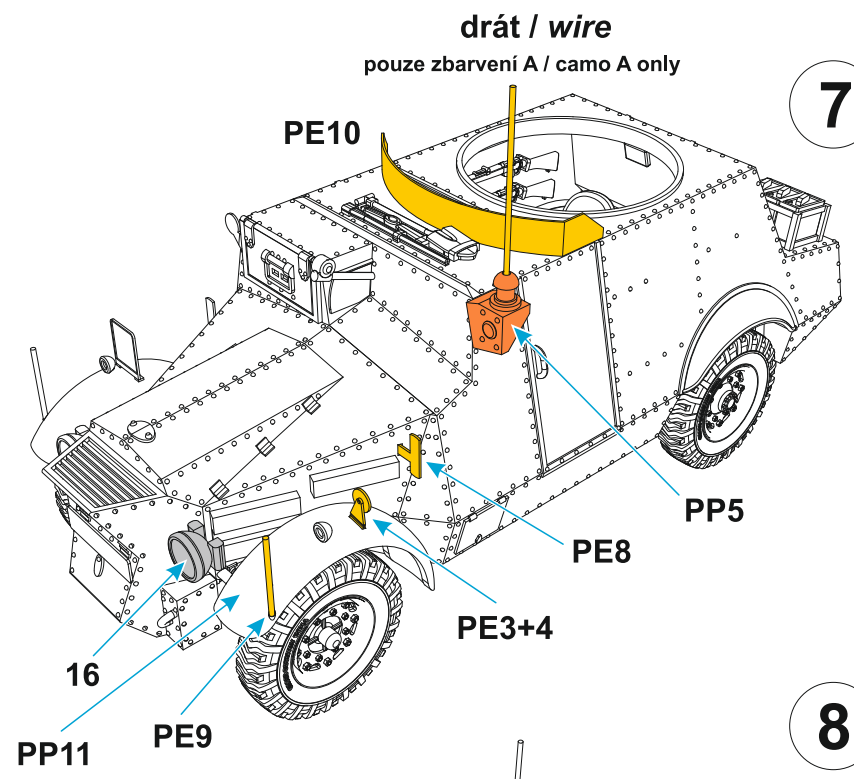
**4**



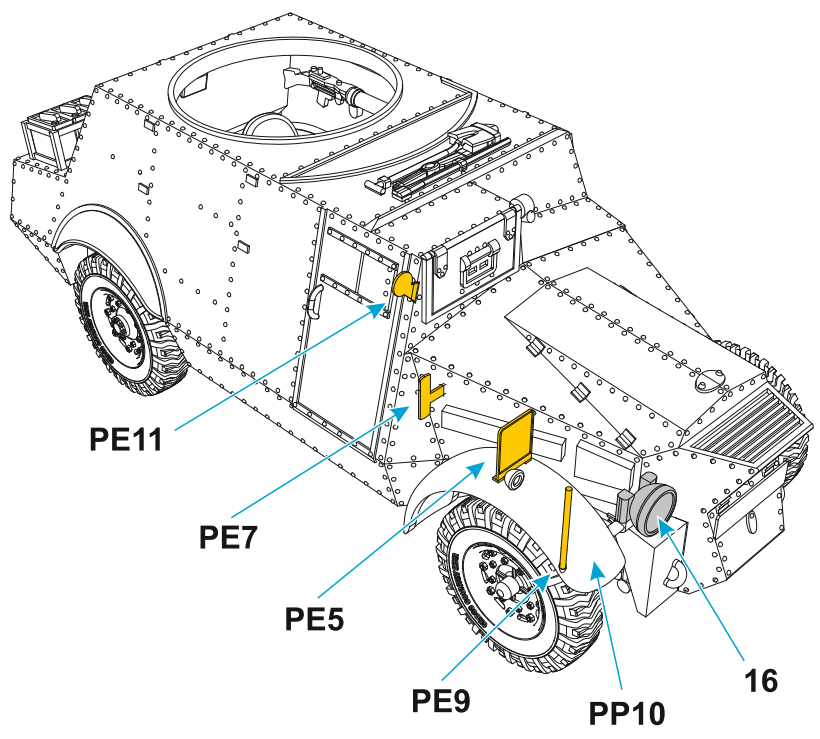
5



7



6



8

