

Vor dem Zusammenbau lesen!

READ BEFORE ASSEMBLY

CAUTION

- Read carefully and fully understand the instructions before commencing assembly. A supervising adult should also read the instructions if a child assembles the model.
- When assembling this kit, tools including knives used. Extra care should be taken to avoid personal injury.
- Keep out of reach of small children. Children must not be allowed to suck any part, or pull vinyl bag over their heads.



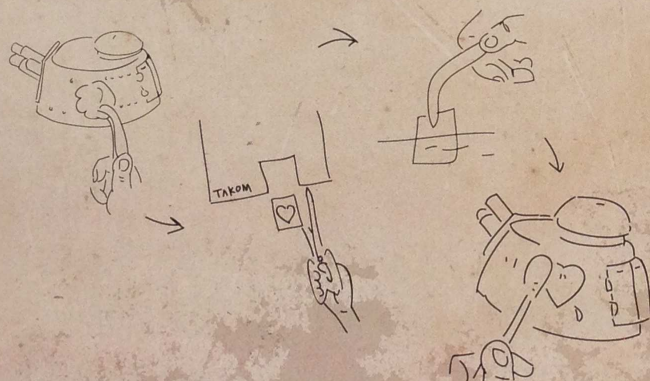
PAINTS REQUIRED

Color info and profiles by Mig Jimenez

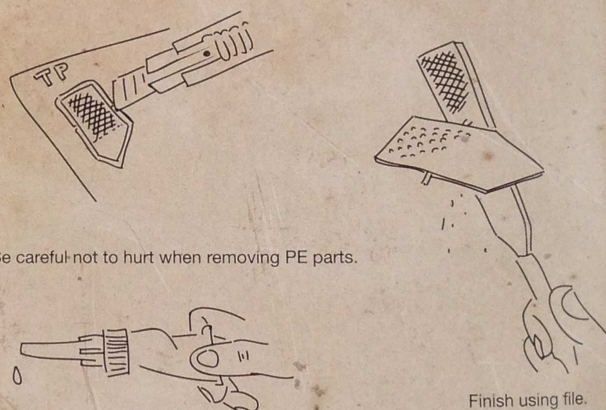
A.MIG-0035 Dark Tracks	A.MIG-0033 Rubber & Tires	A.MIG-0045 Gun Metal	A.MIG-0037 New Wood
A.MIG-0040 Medium Rust	A.MIG-0042 Old Rust	RAL 7027 Sandgrau	A.MIG-0066 RAL 7008 Graugrün Opt.2
A.MIG-0089 Dunkelgrau base	A.MIG-0010 RAL 7028 Dunkelgelb (MIG-War)	A.MIG-0001 Washable White	

APPLYING DECALS

1. Clean the model surface with a wet cloth.
2. Cut out each decal design from sheet, and dip it in tepid water for 15-20 sec.
3. Hold the backing sheet edge and slide decal onto the model.
4. Move decal into position by wetting decal with finger.
5. Press decal gently down with a soft cloth until excess water and air bubbles are gone.



REMOVING PE

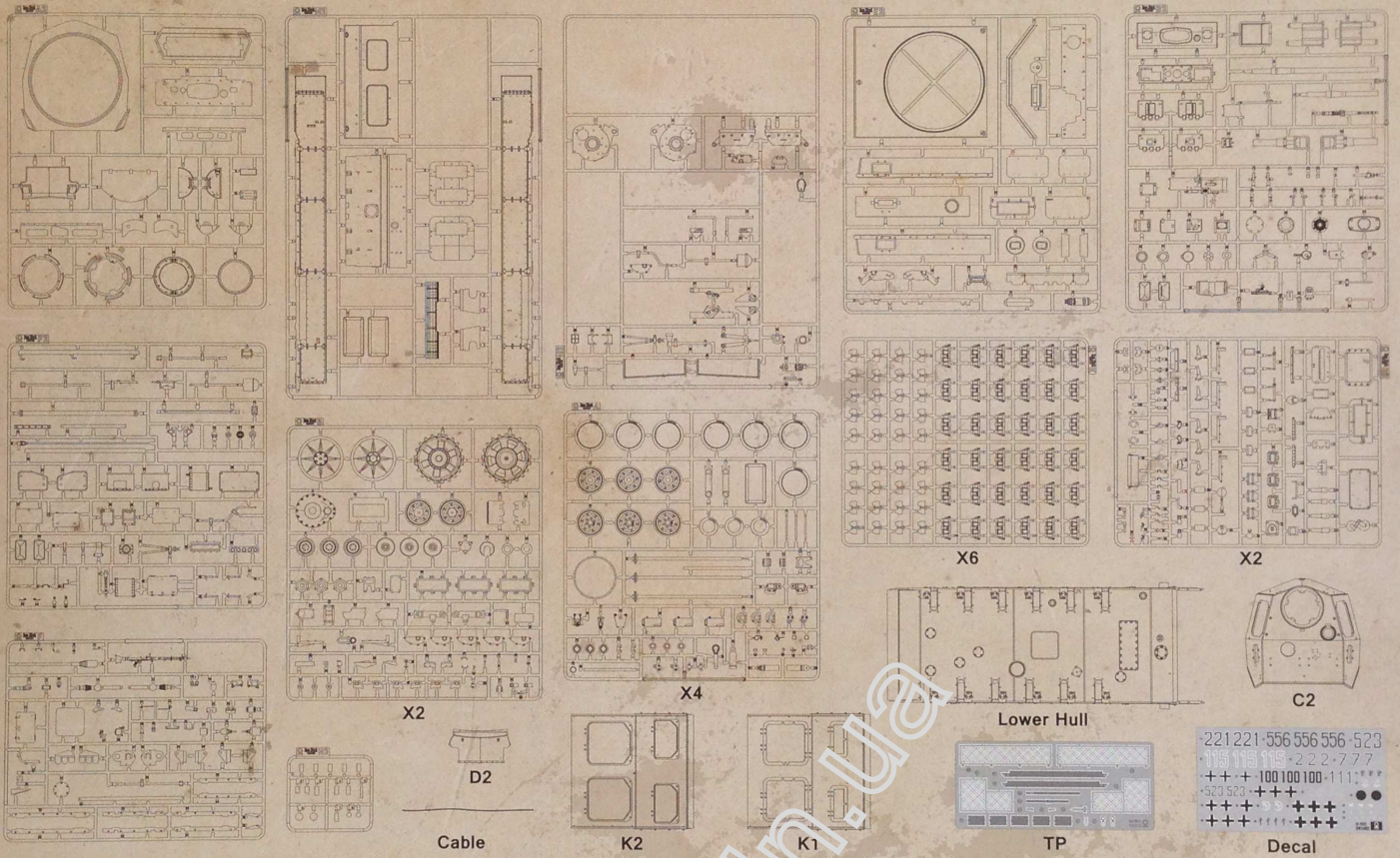


Be careful not to hurt when removing PE parts.

Secure using instant glue (not included).

Finish using file.

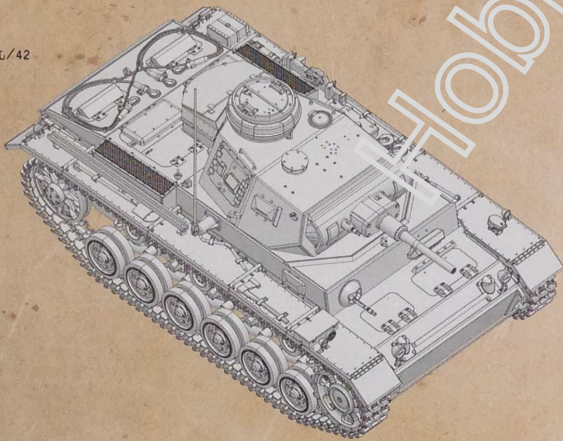
PARTS



Choose your version - stick to the characters A, B or C throughout the optional instruction steps!

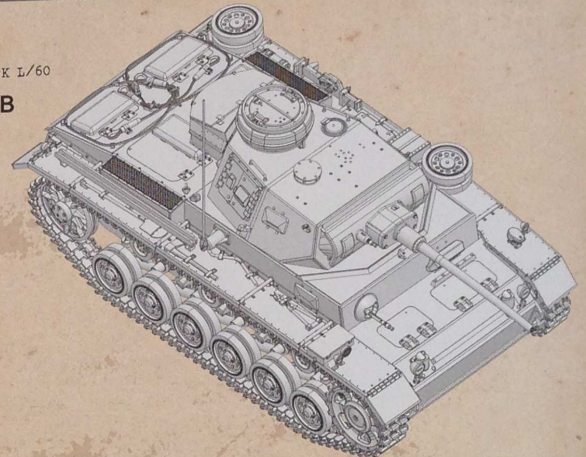
5cm KwK L/42

! A



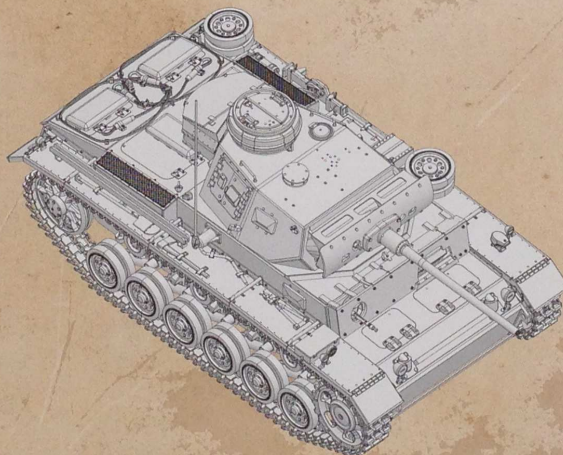
5cm KwK L/60

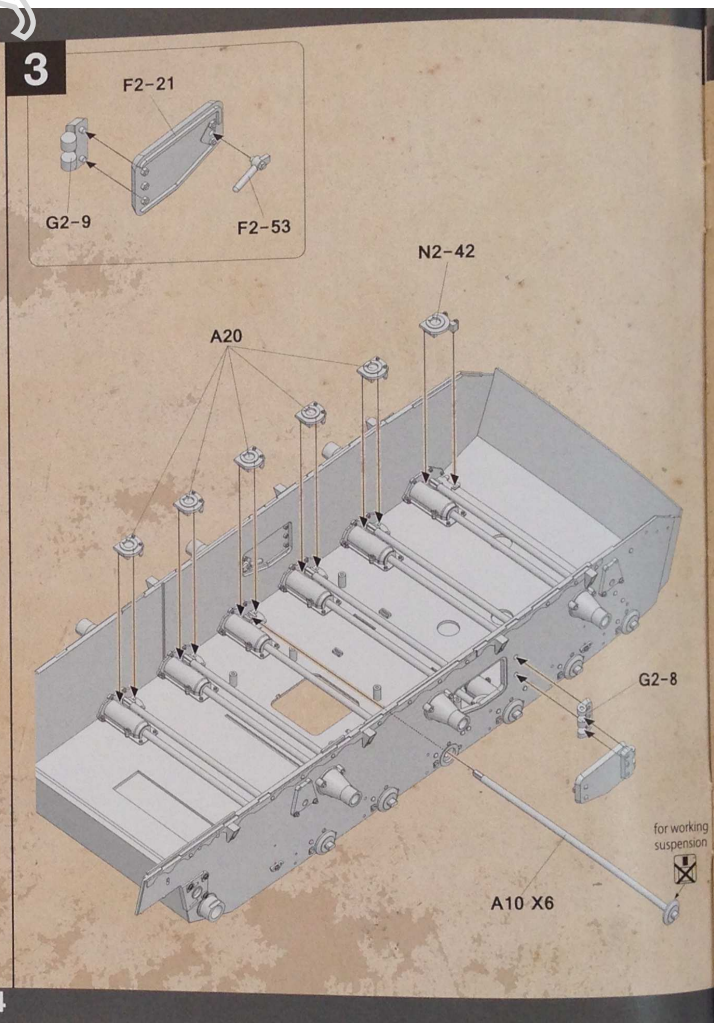
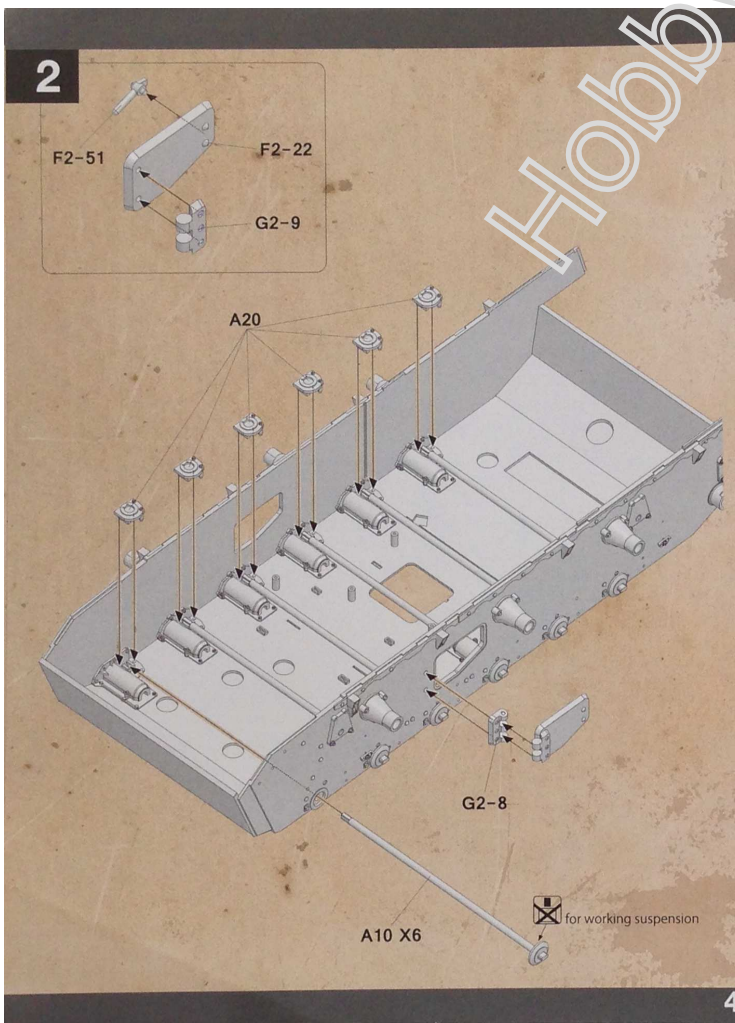
! B

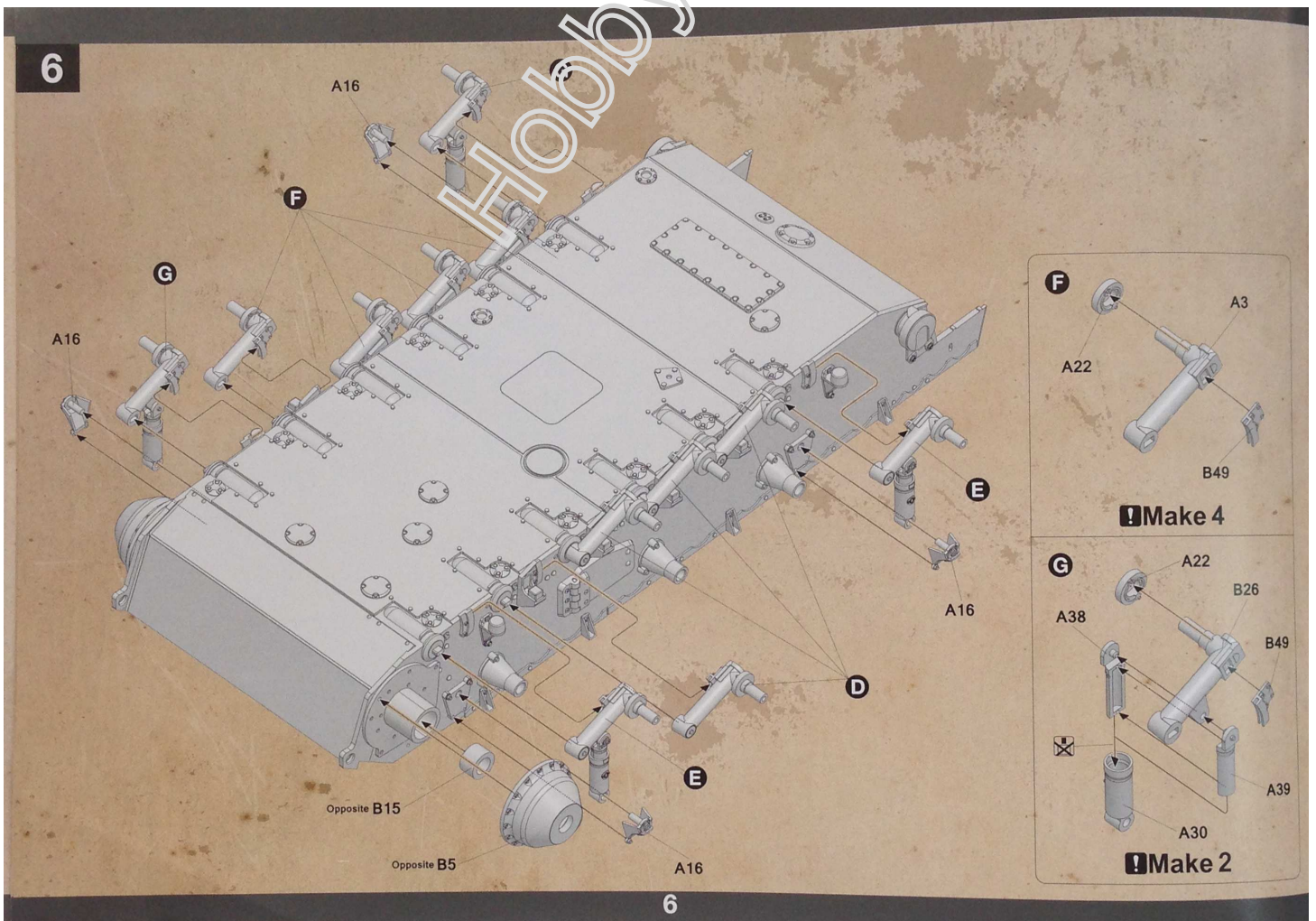
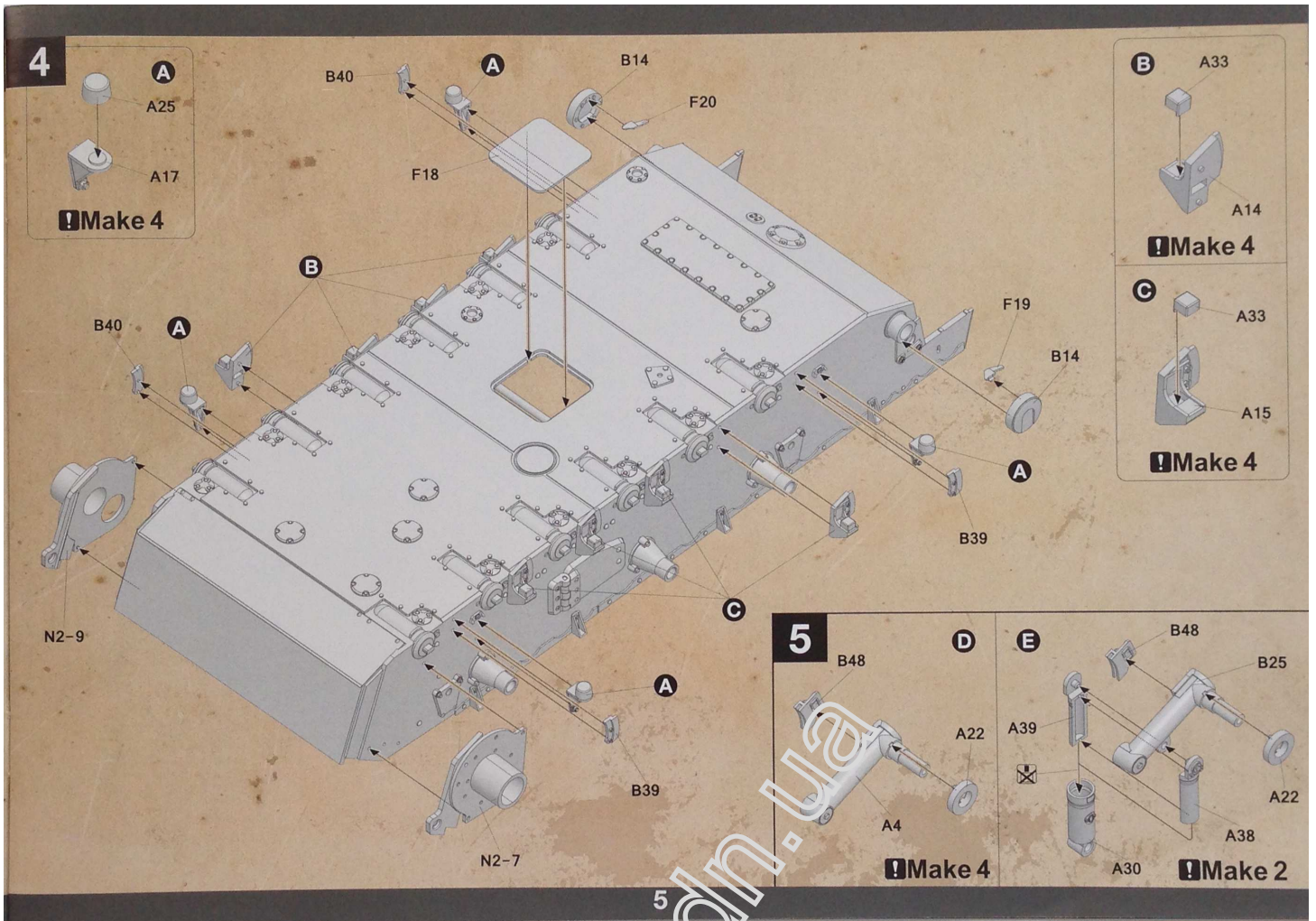


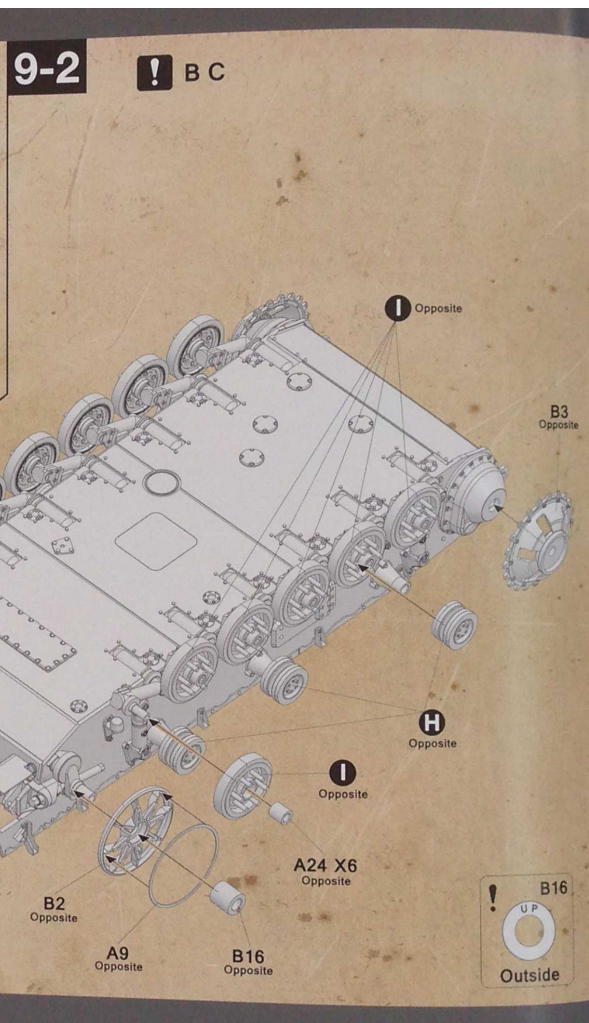
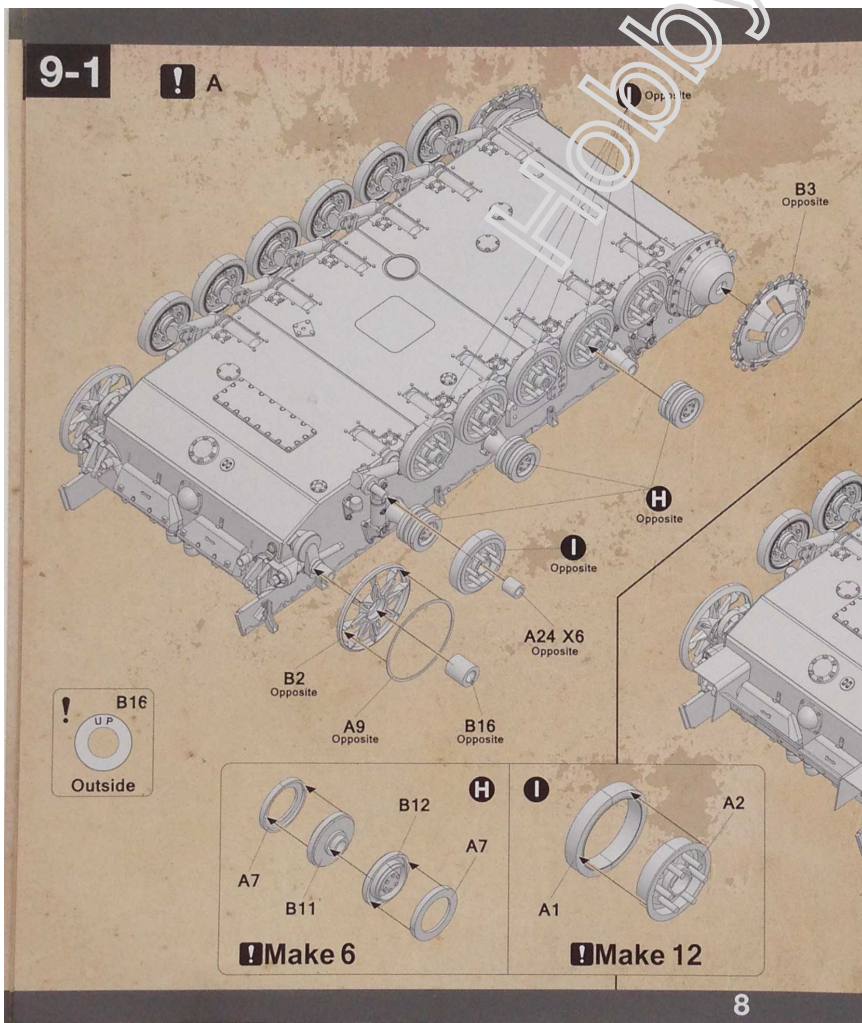
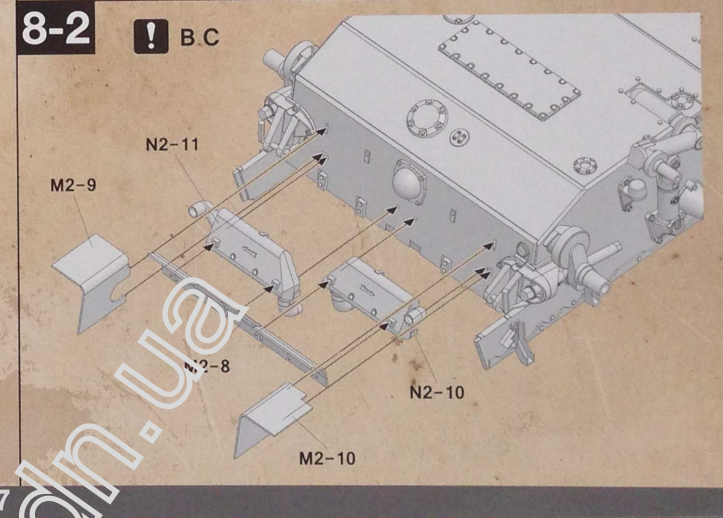
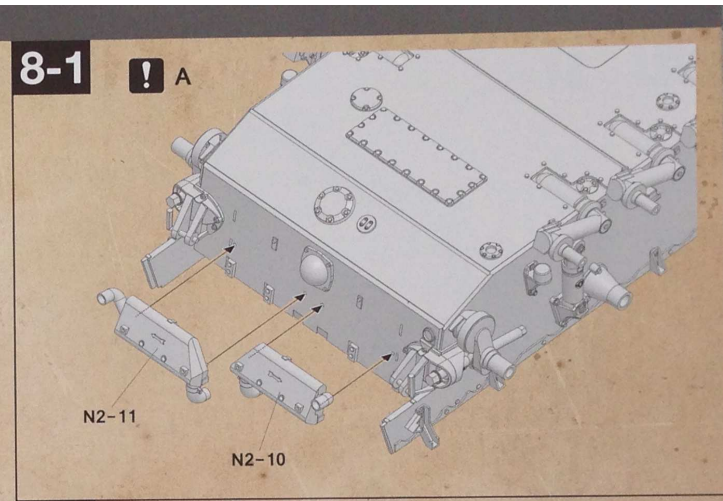
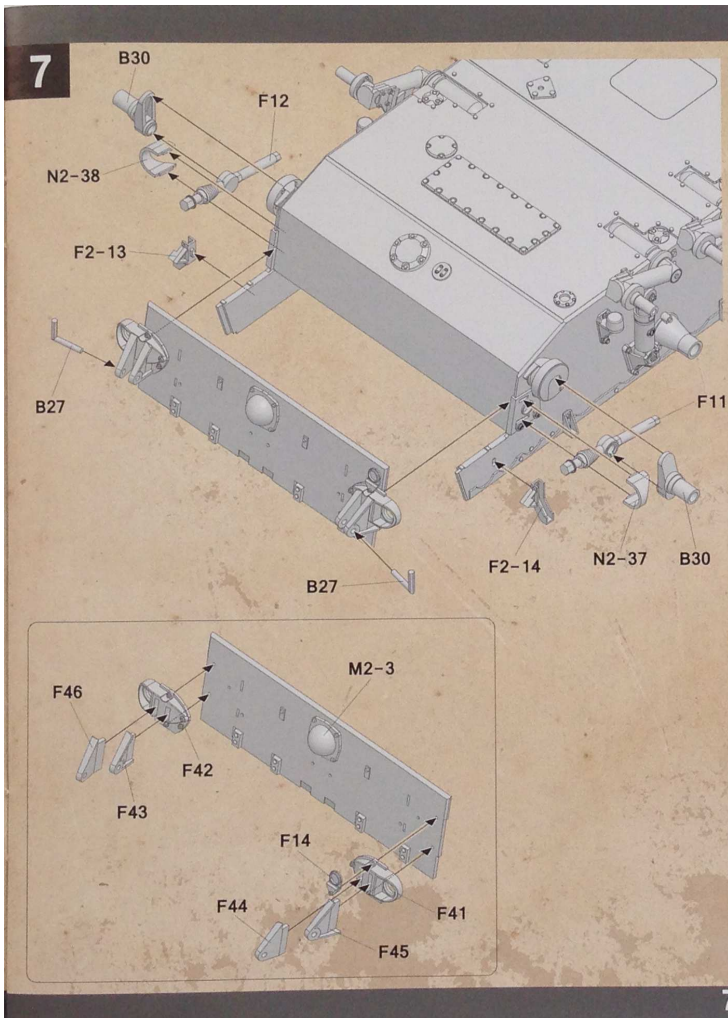
Vorpanzer Version

! C







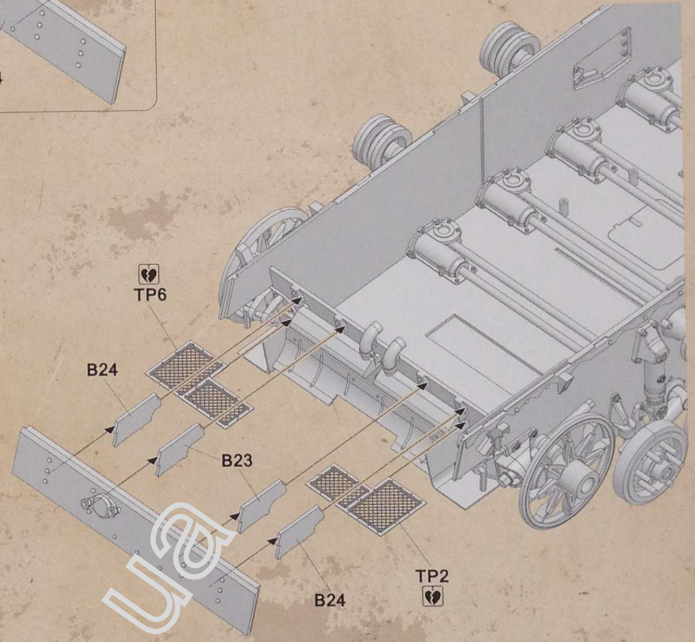
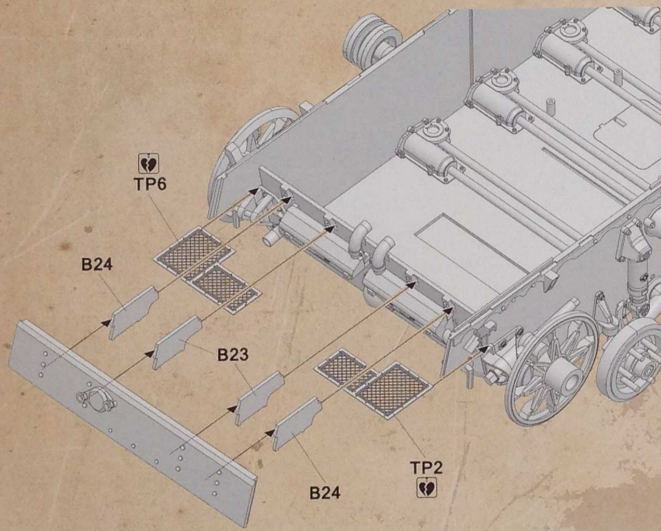
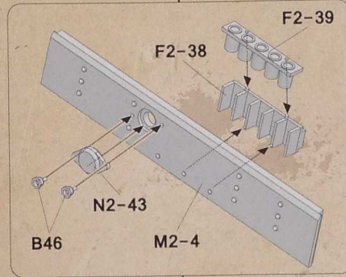


10-1

! A

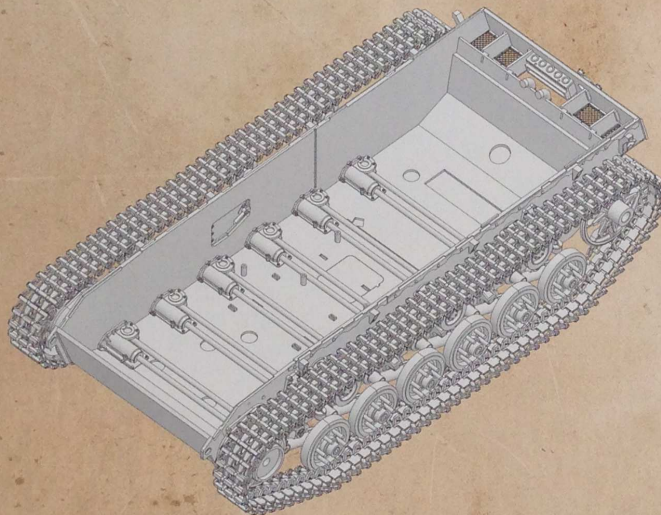
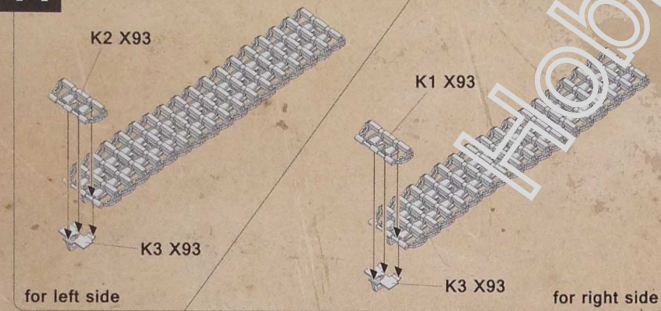
10-2

! B C

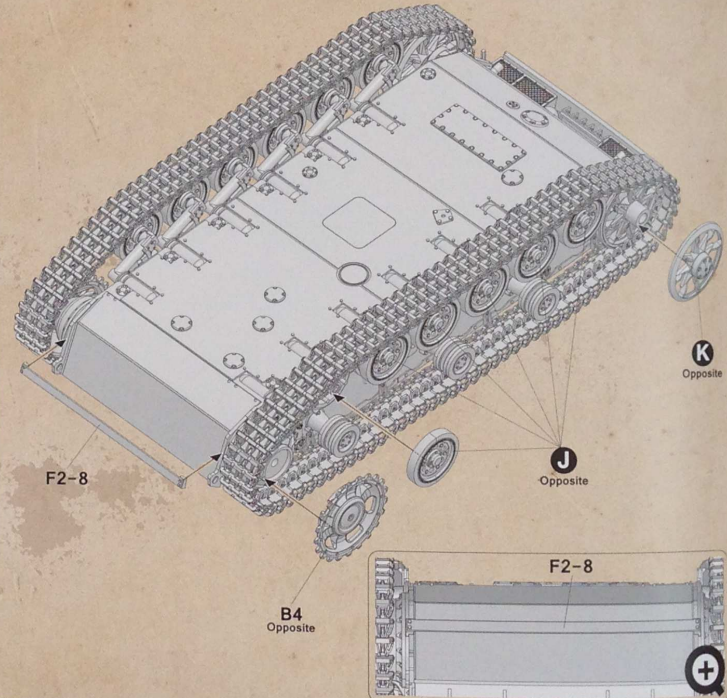
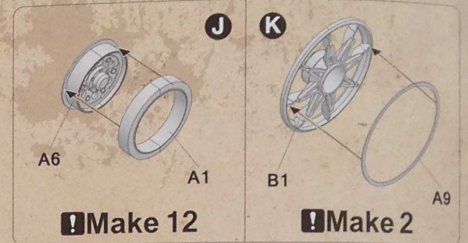


9

11

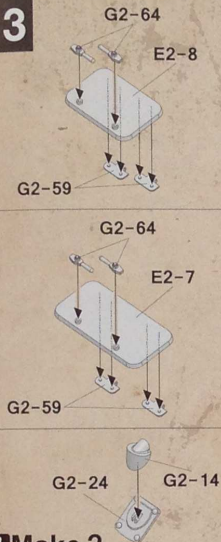


12

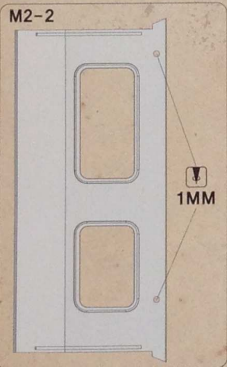


10

13

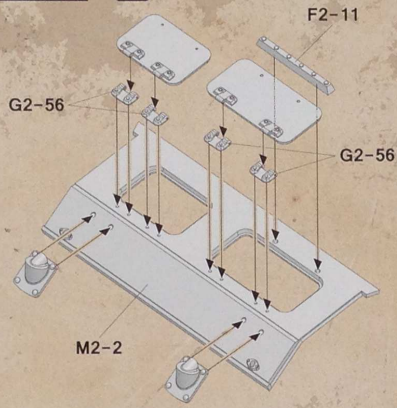


Make 2



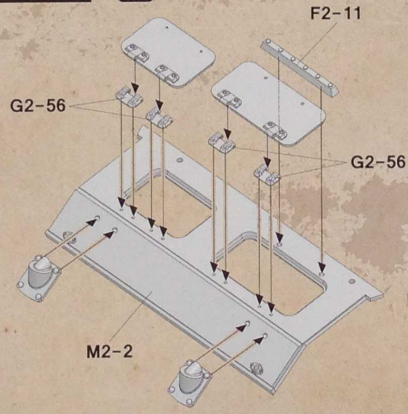
14-1

! A B

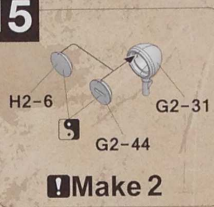


14-3

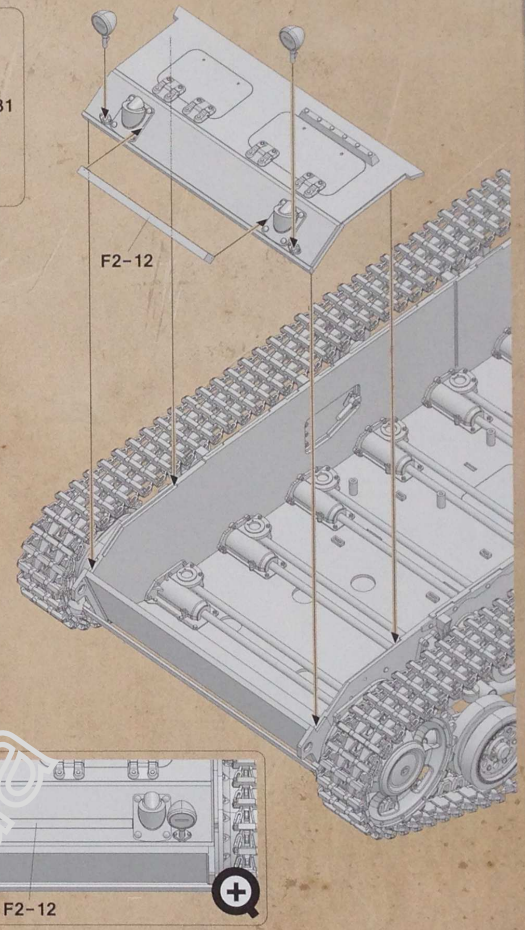
! C



15

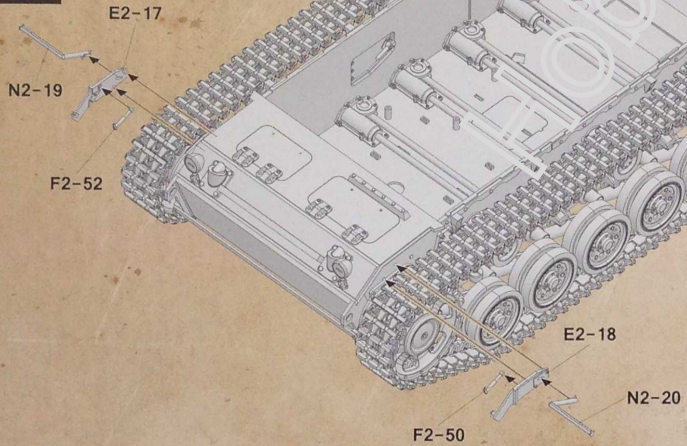


Make 2

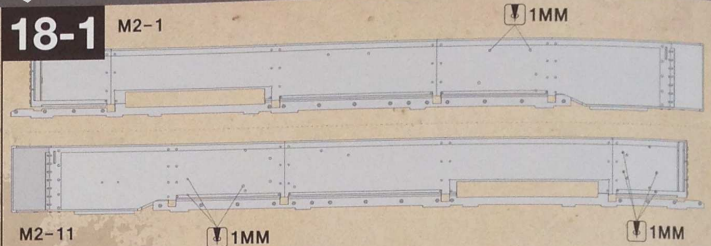


11

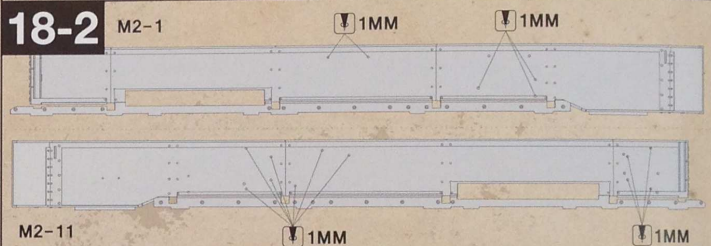
16



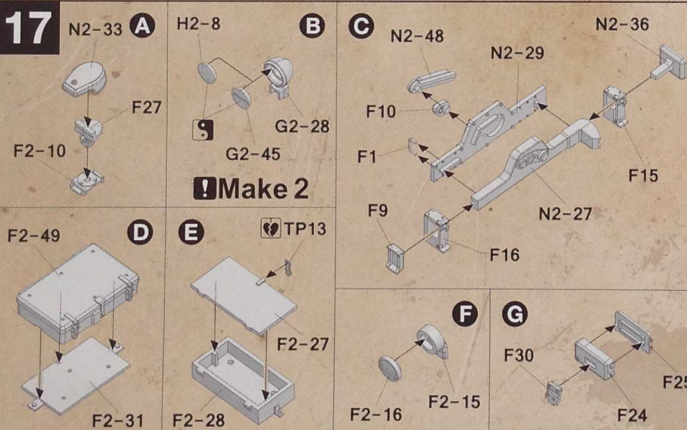
18-1



18-2

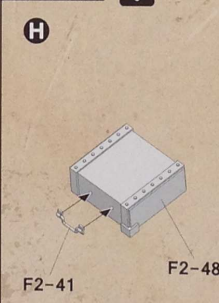


17



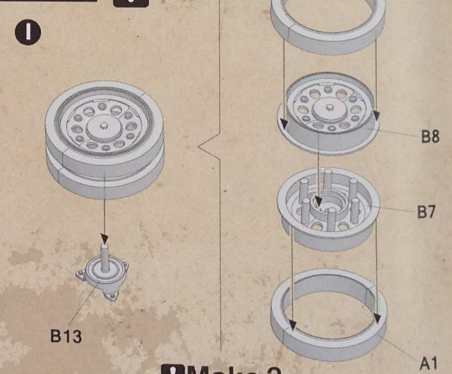
19-1

! A



19-2

! B C

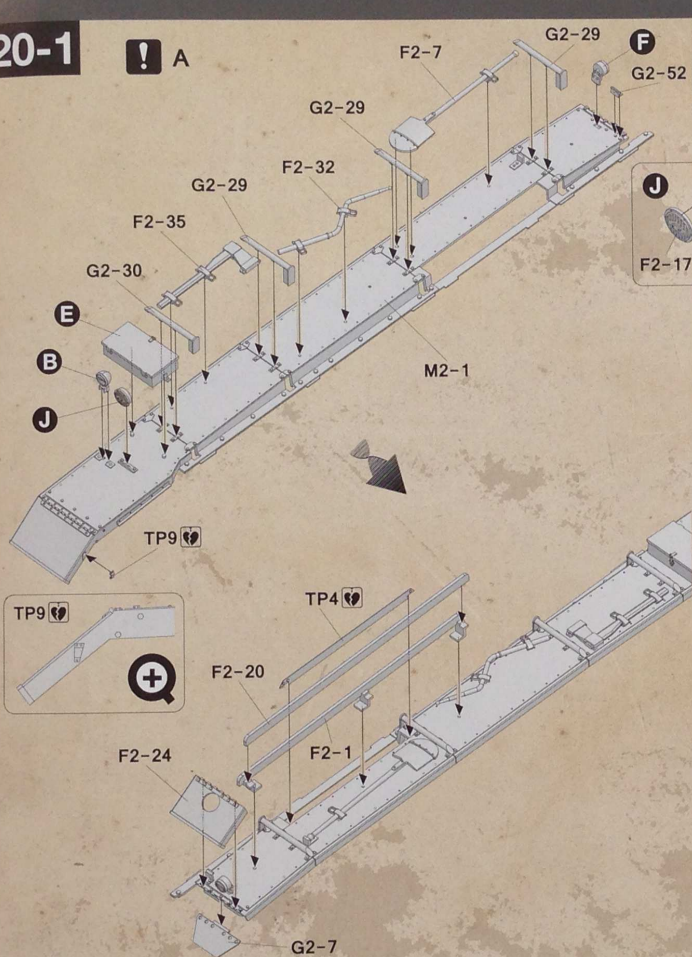


Make 2

12

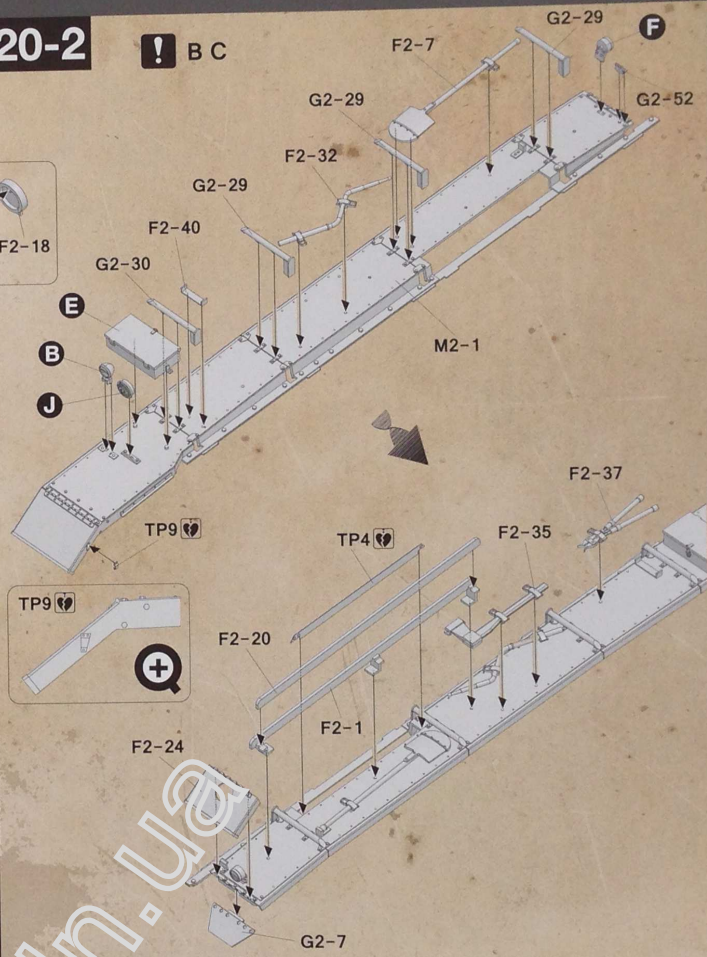
20-1

! A



20-2

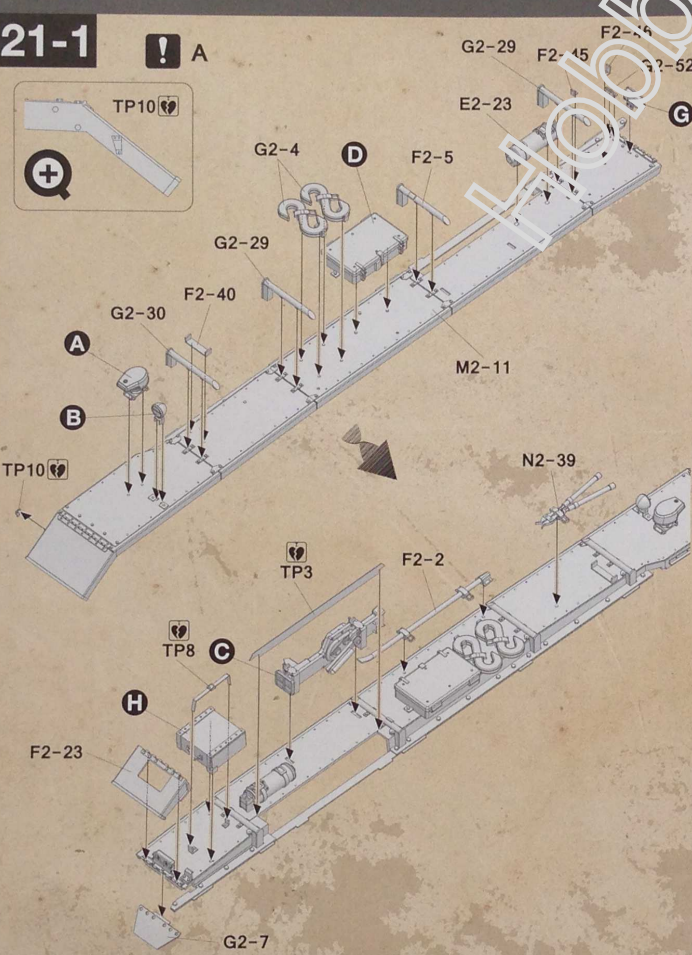
! B C



13

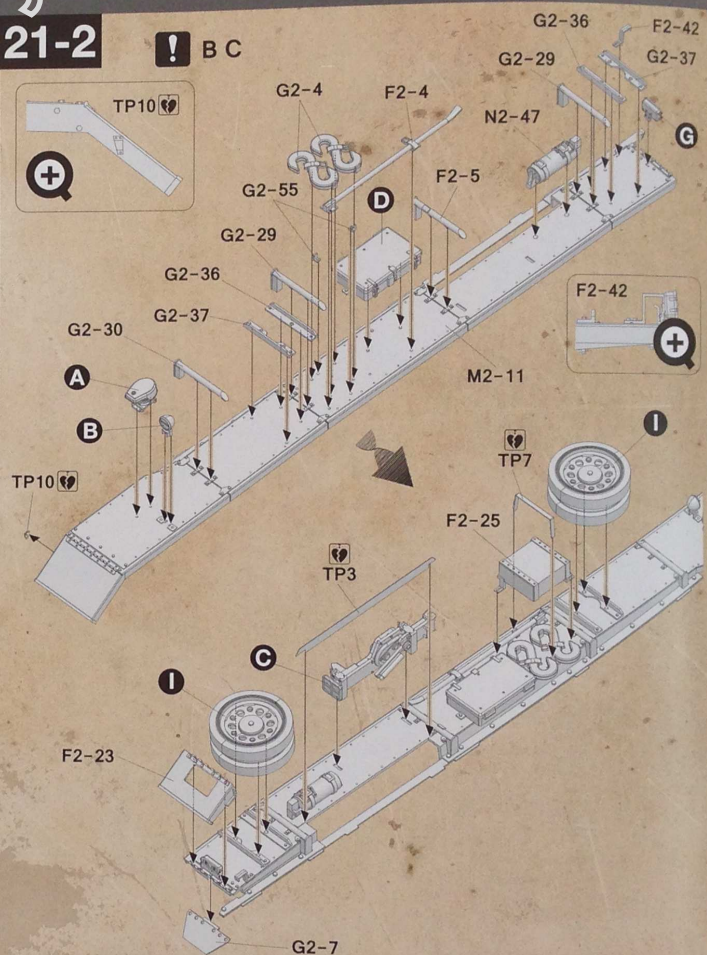
21-1

! A



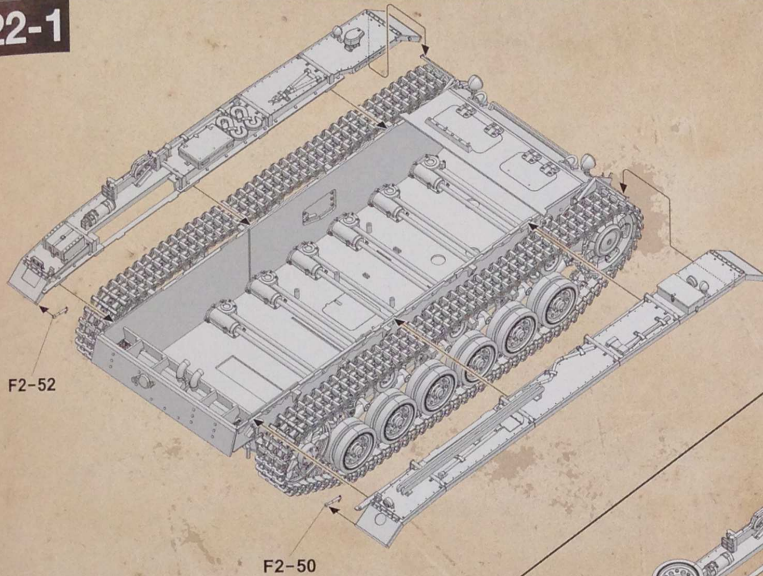
21-2

! B C

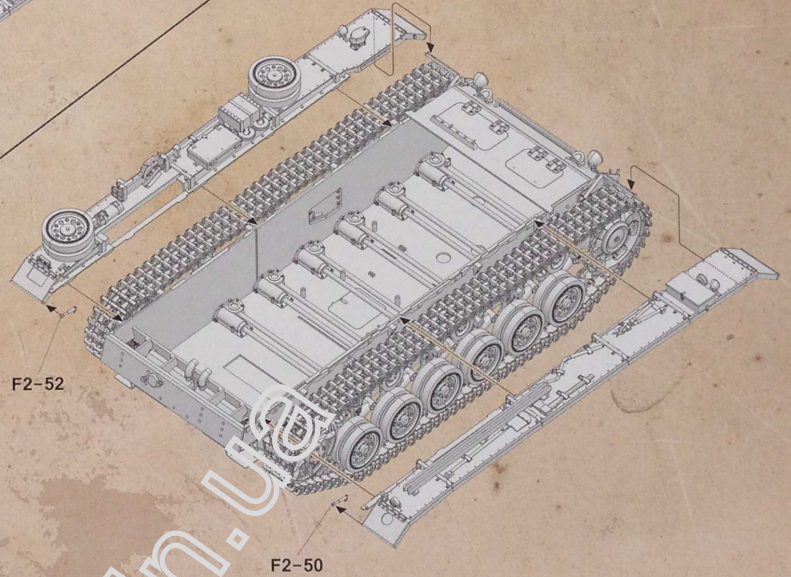


14

22-1

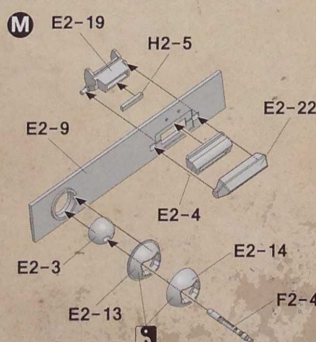
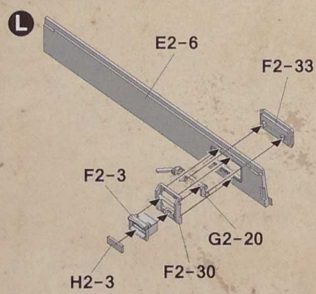
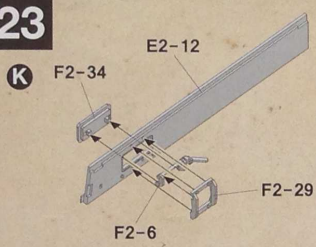


22-2

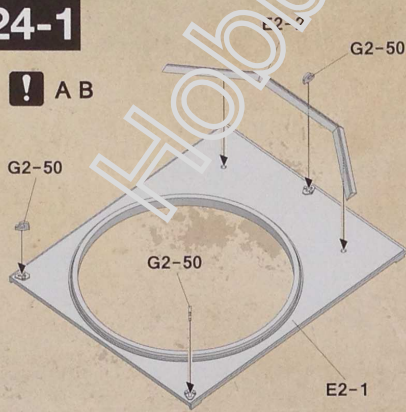


15

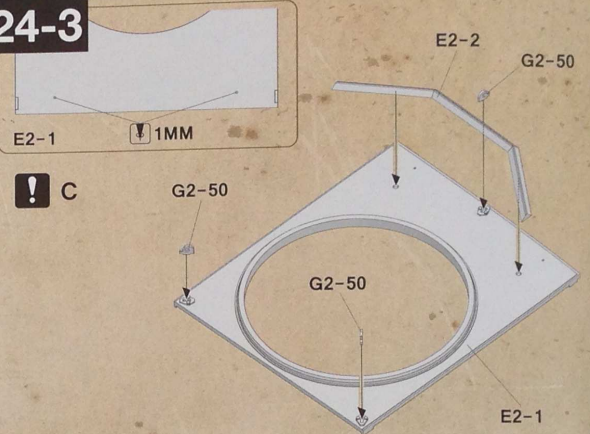
23



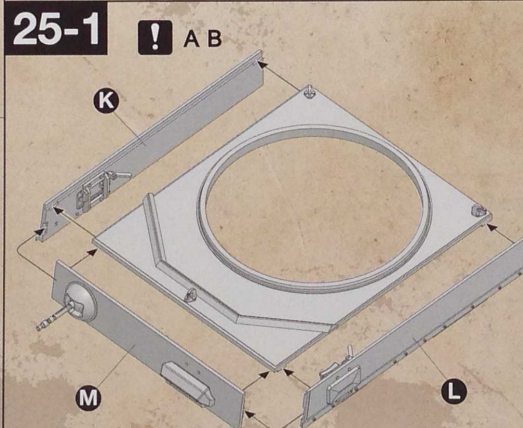
24-1



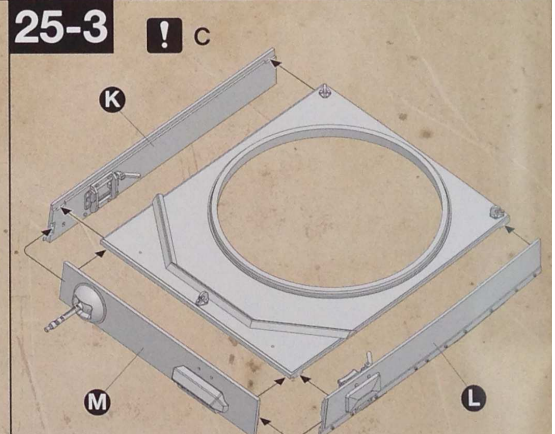
24-3



25-1



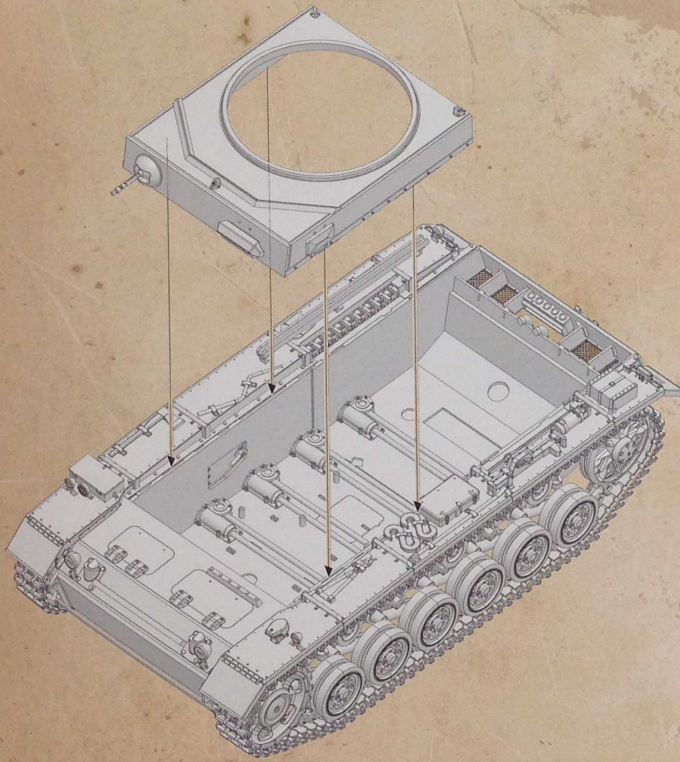
25-3



16

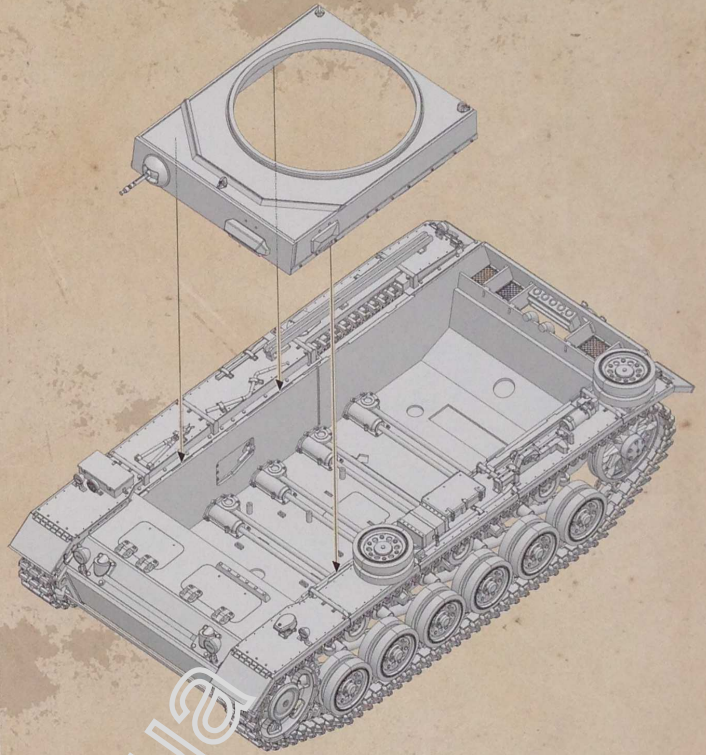
26-1

! A



26-2

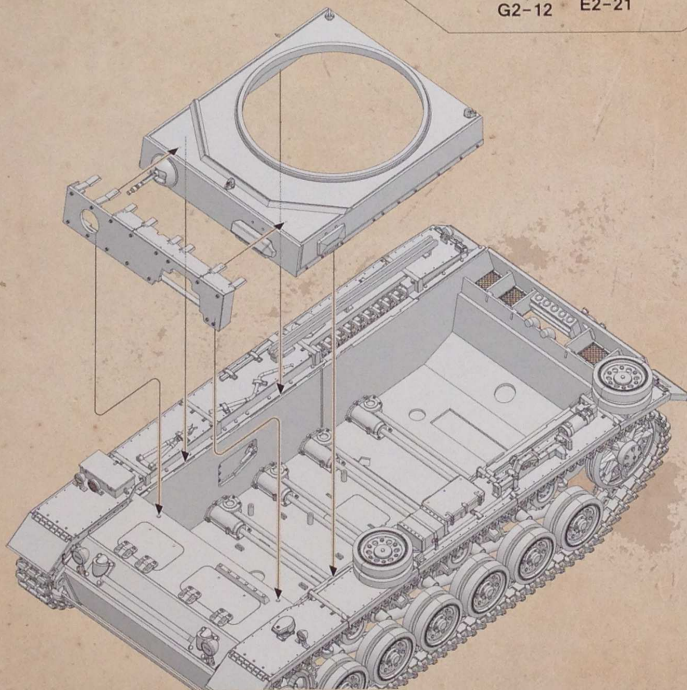
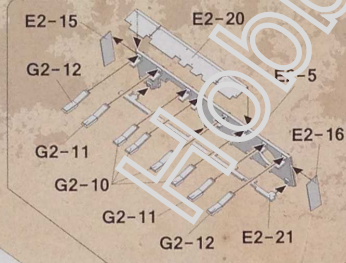
! B



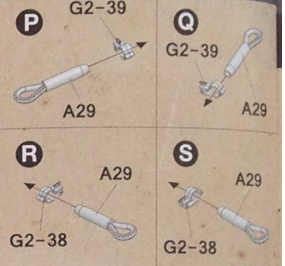
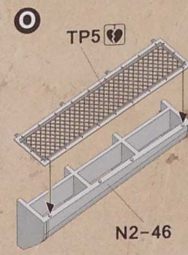
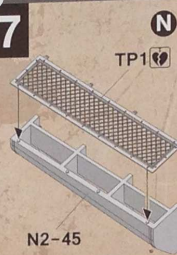
17

26-3

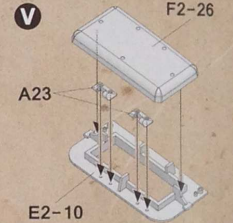
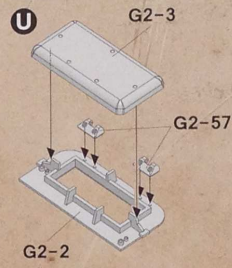
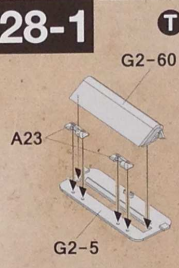
! C



27



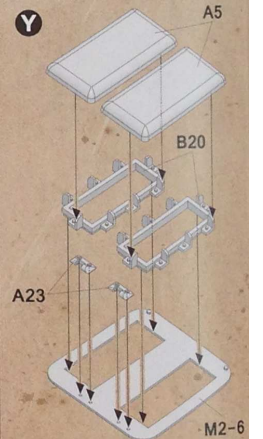
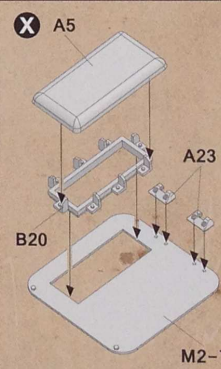
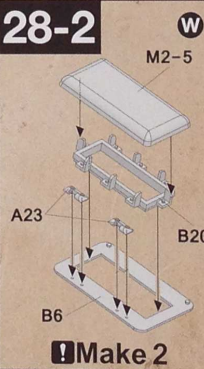
28-1



! Make 2

! Make 2

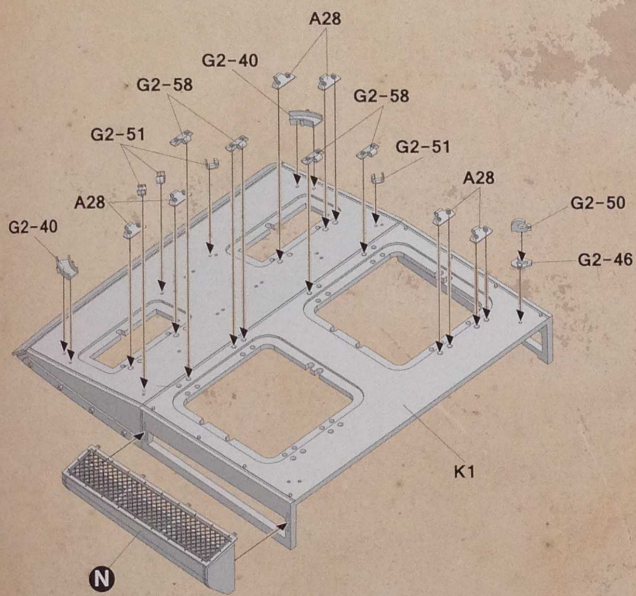
28-2



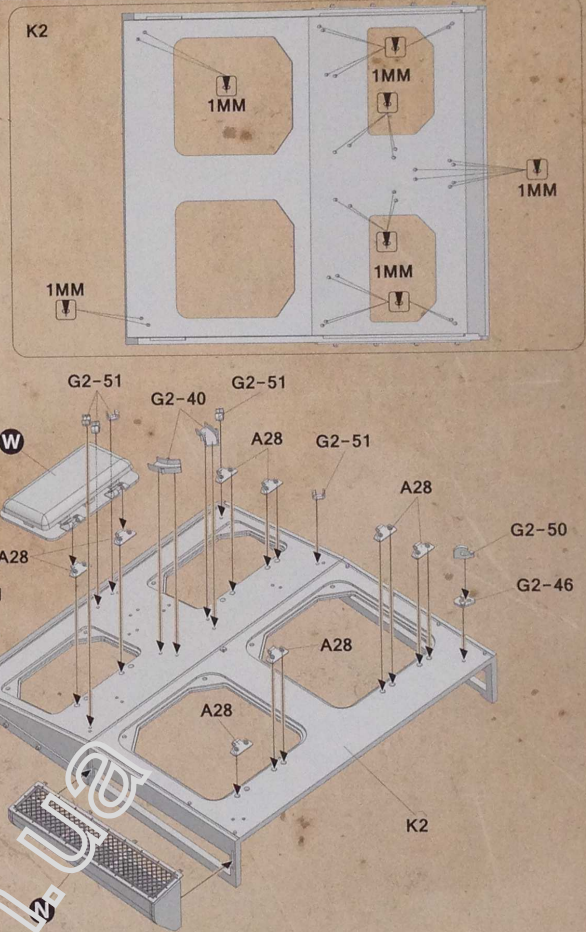
! Make 2

18

29-1



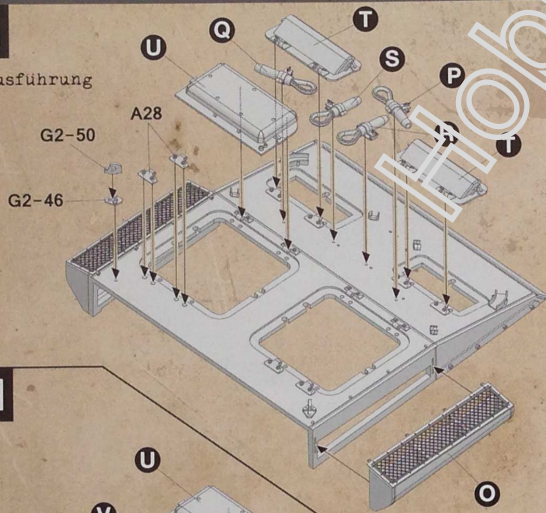
29-2



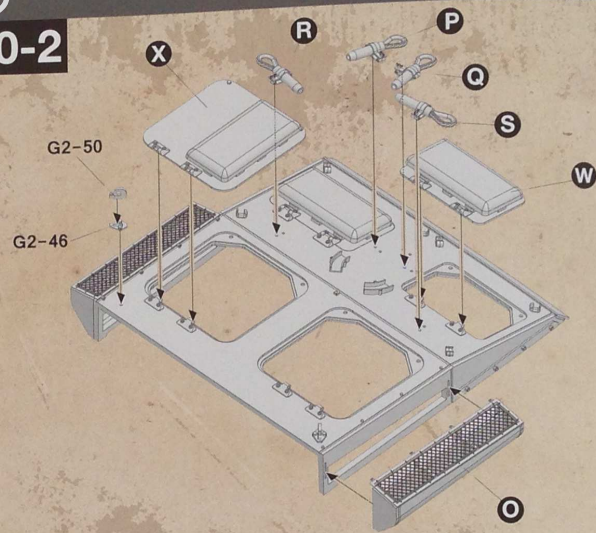
19

30-1

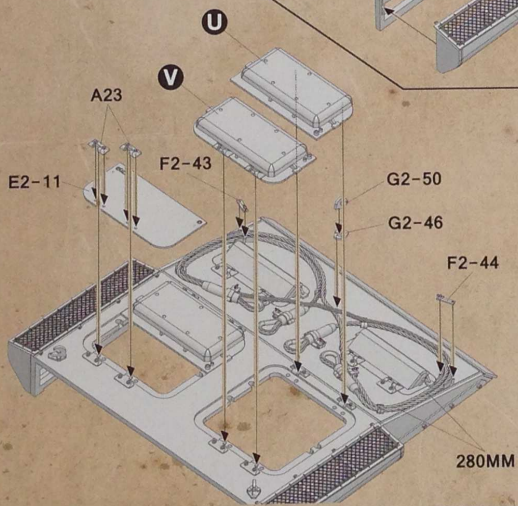
Tropenausführung



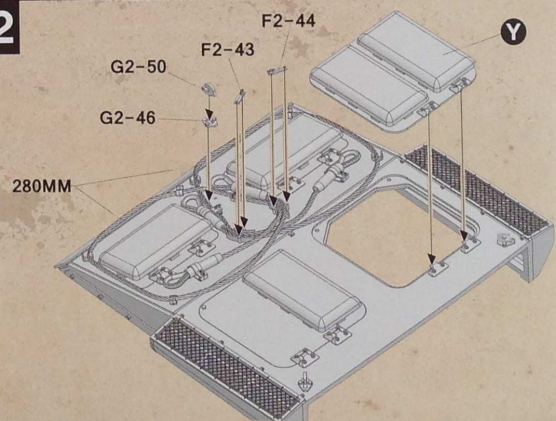
30-2



31-1



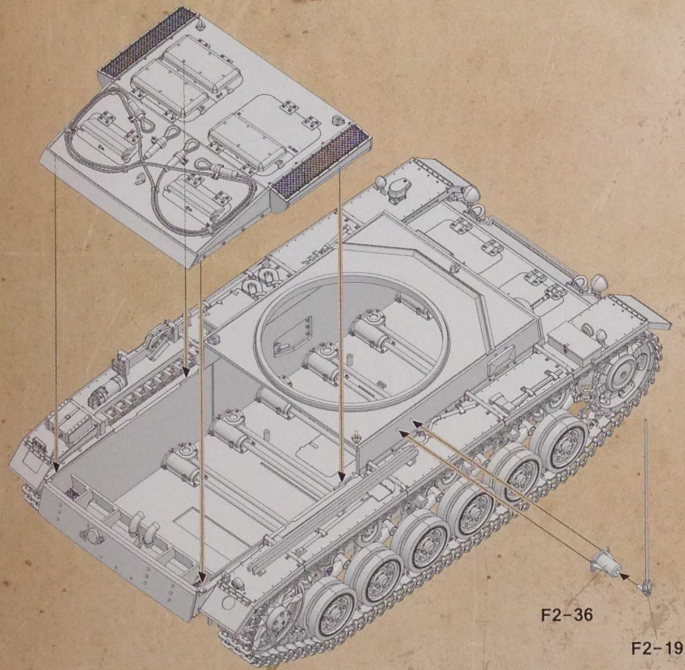
31-2



20

32-1

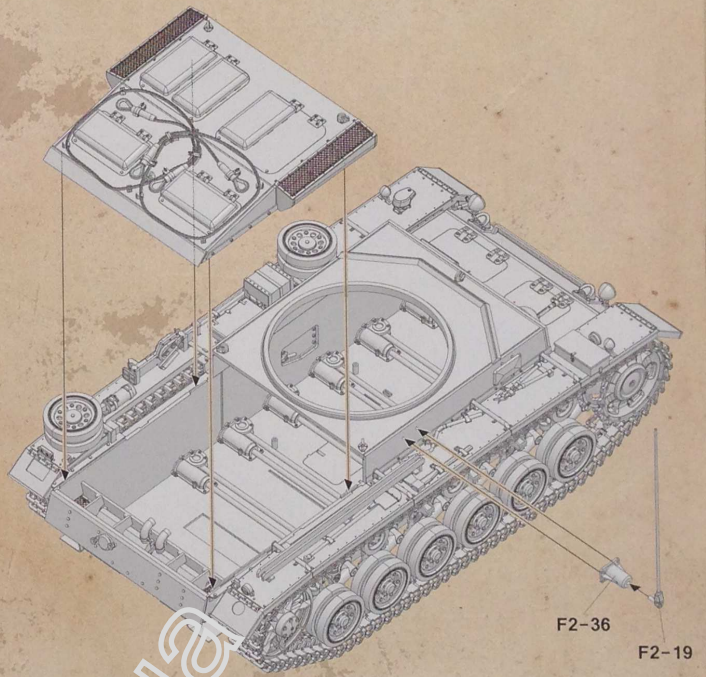
! A



21

32-2

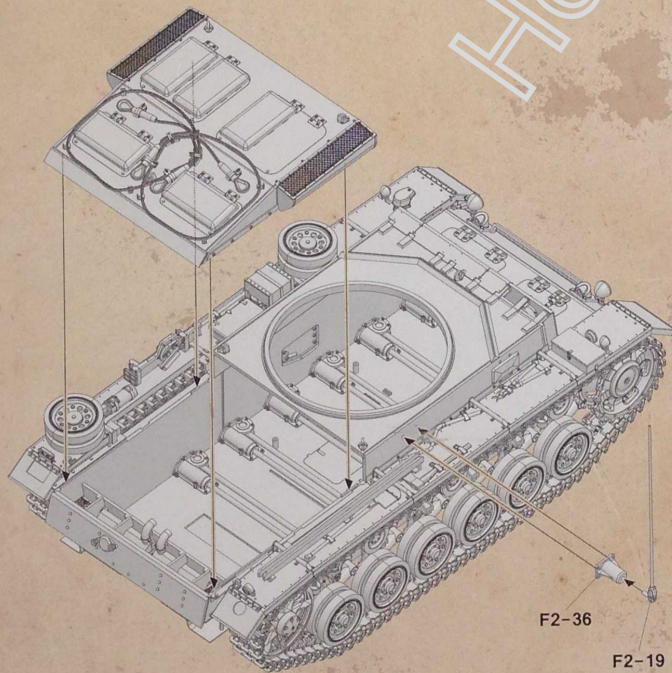
! B



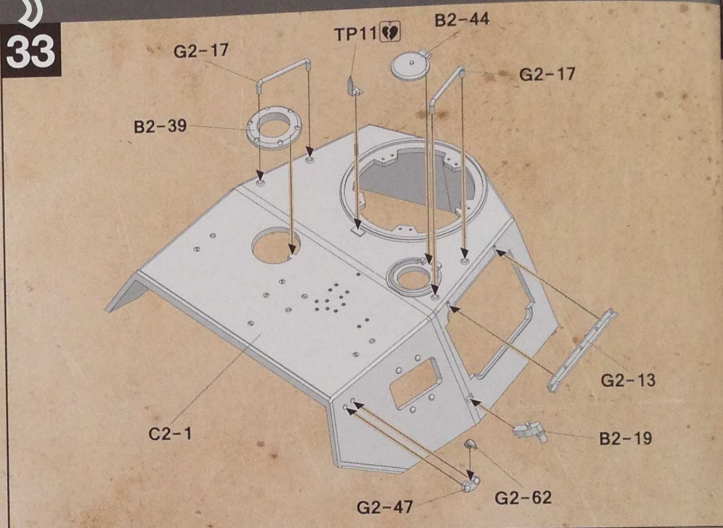
33

32-3

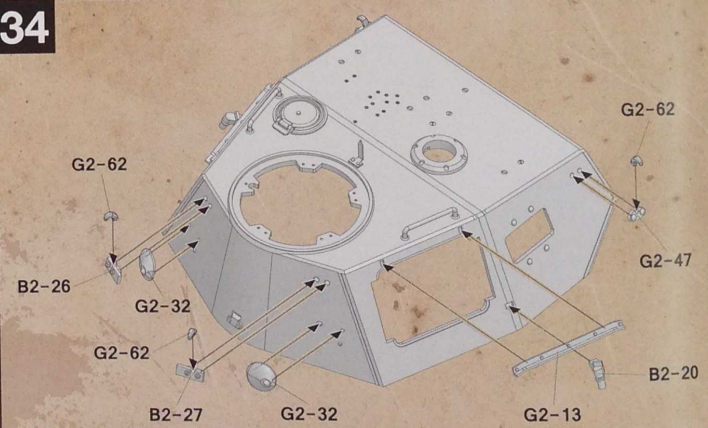
! C

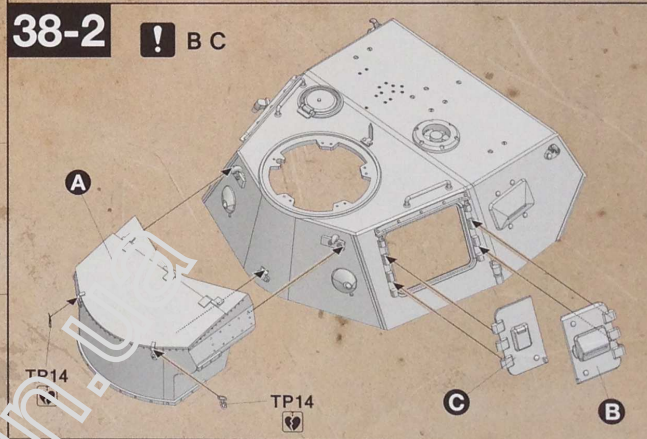
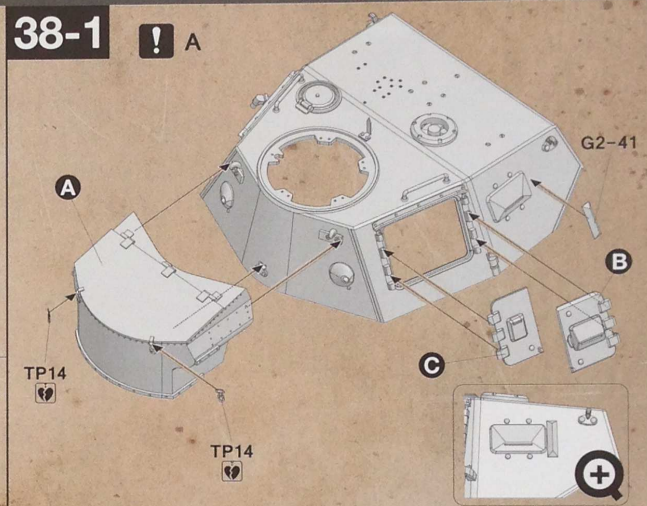
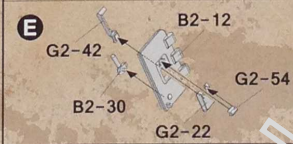
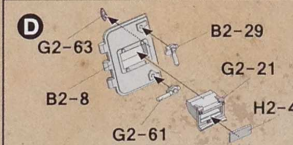
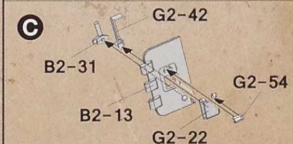
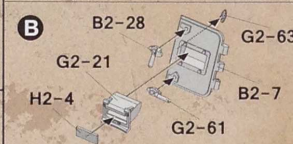
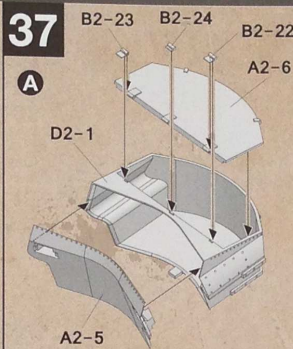
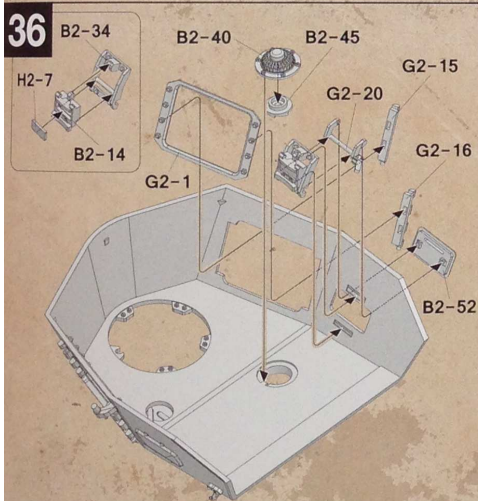
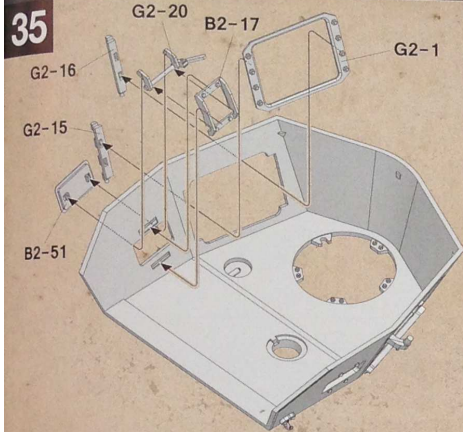


22

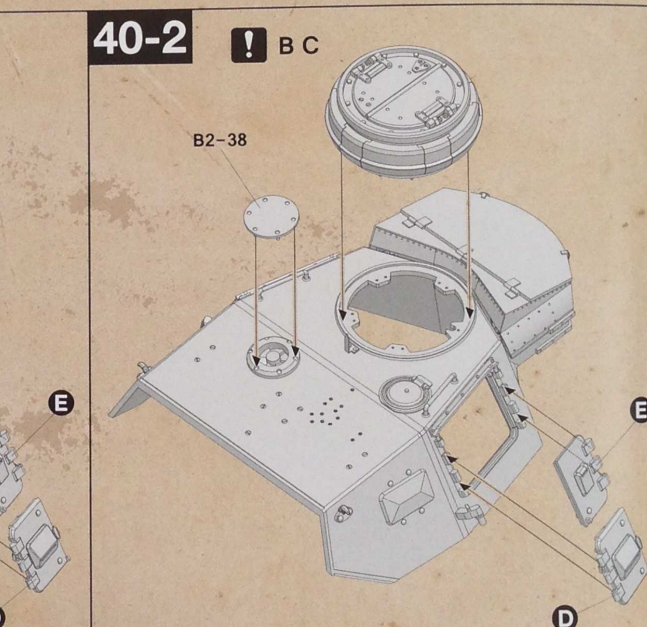
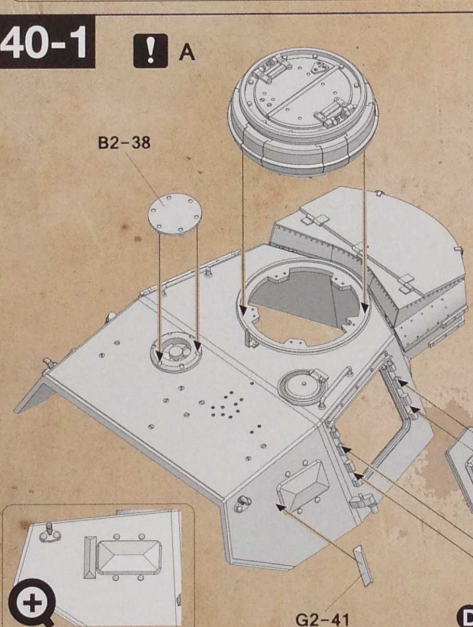
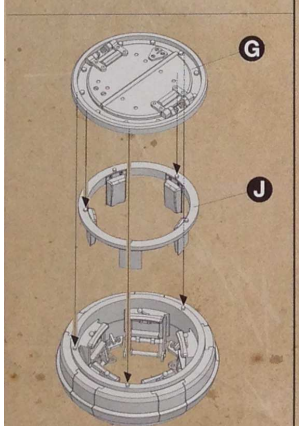
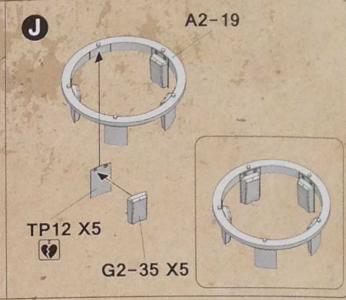
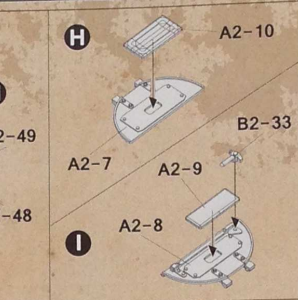
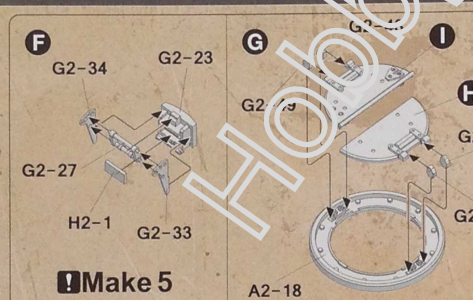
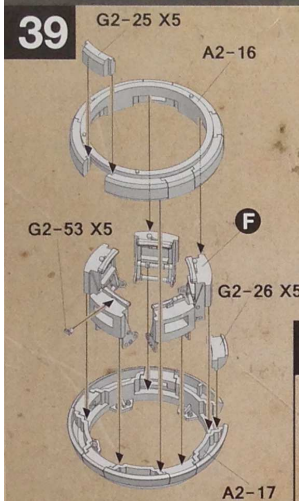


34



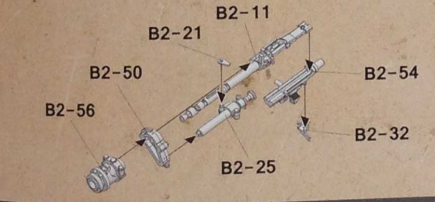
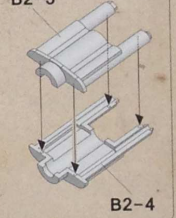
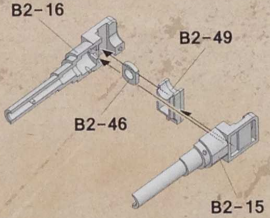
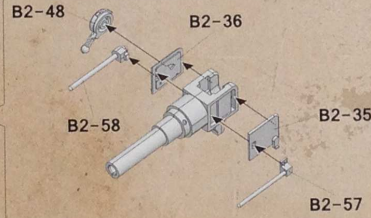
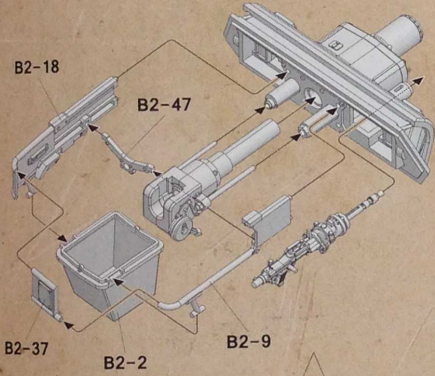
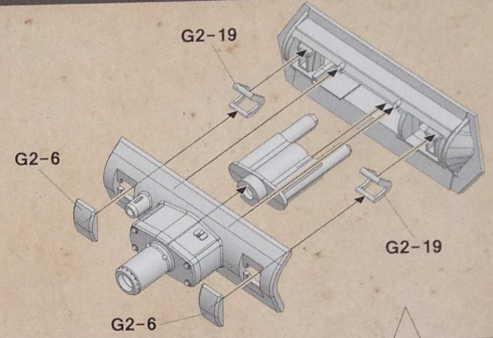
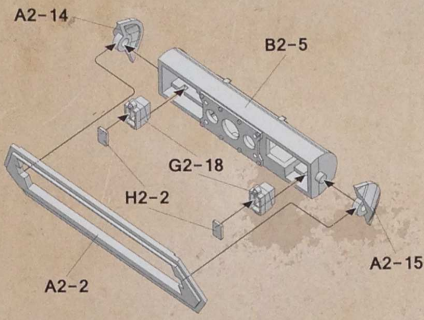
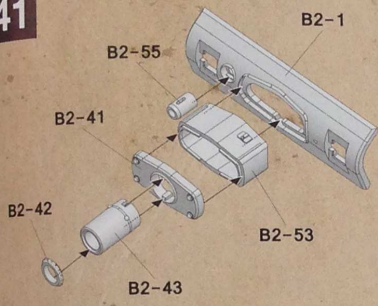


23



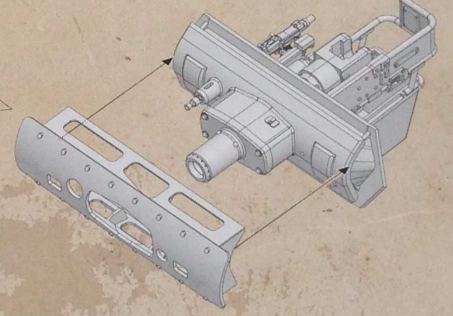
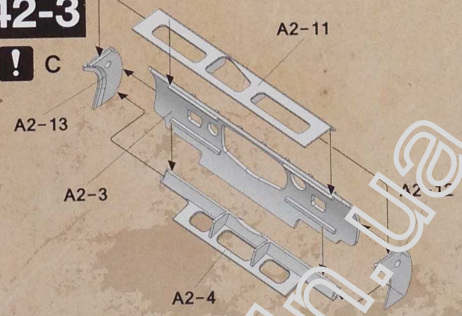
24

41



42-3

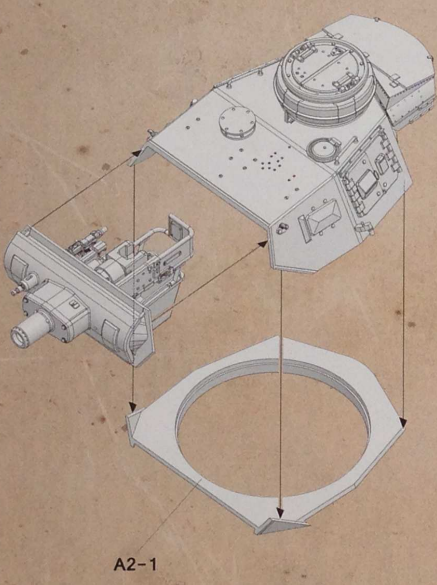
! C



25

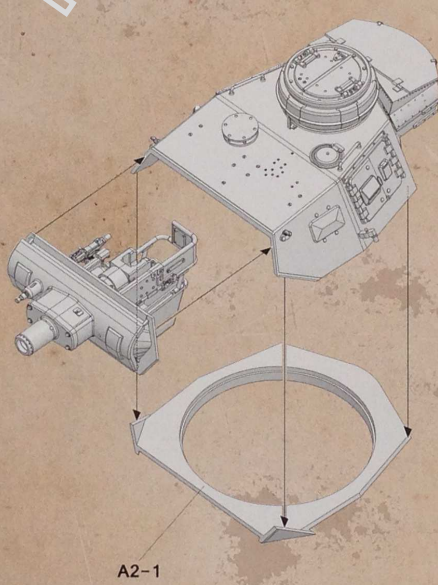
43-1

! A



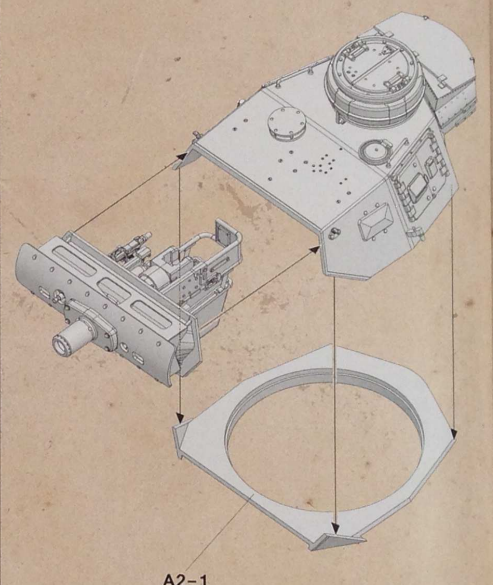
43-2

! B



43-3

! C



26

