



Lockheed Vega 5b

1/48 SCALE MODEL CONSTRUCTION KIT

Ready to assemble scale models kit.
 Contains part for one model.
 Model length: 177 mm
 Wingspan: 262 mm
 Plastic parts: 172
 Photoetched parts: 11

The Lockheed Vega is an American six-passenger high-wing monoplane airliner built by the Lockheed Corporation starting in 1927. It became famous for its use by a number of record-breaking pilots who were attracted to the rugged and very long-range design. Amelia Earhart became the first woman to fly solo across the Atlantic Ocean in one.

Amelia Earhart bought this 5B Vega in 1930 and called it her "Little Red Bus." After a nose-over accident later that year, the fuselage was replaced and strengthened to carry extra fuel tanks. Three types of compasses, a drift indicator, and a more powerful engine were also installed. On May 20-21, 1932, flying in this airplane, Earhart became the first woman (and the only person since Charles Lindbergh) to fly nonstop and alone across the Atlantic Ocean. She took off from Harbor.

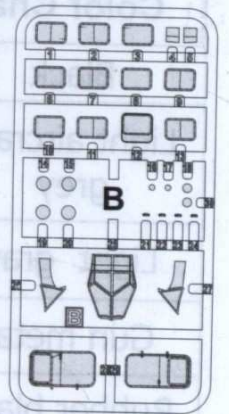
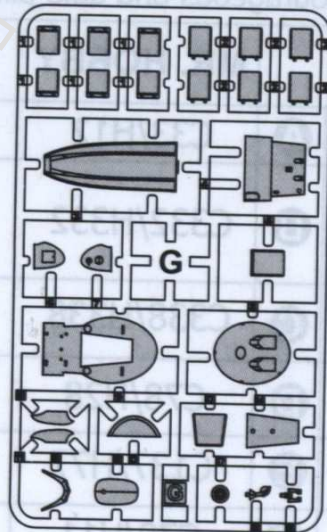
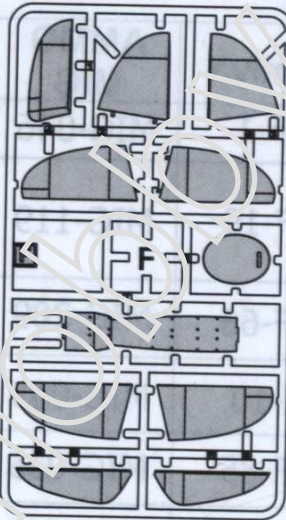
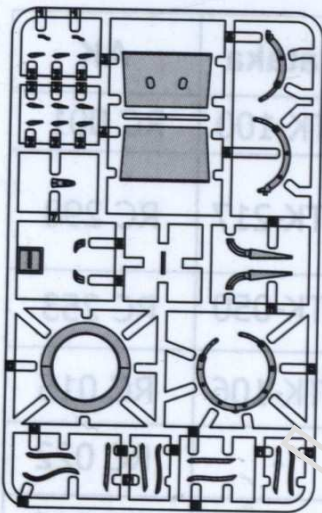
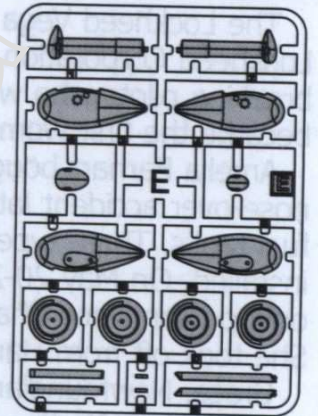
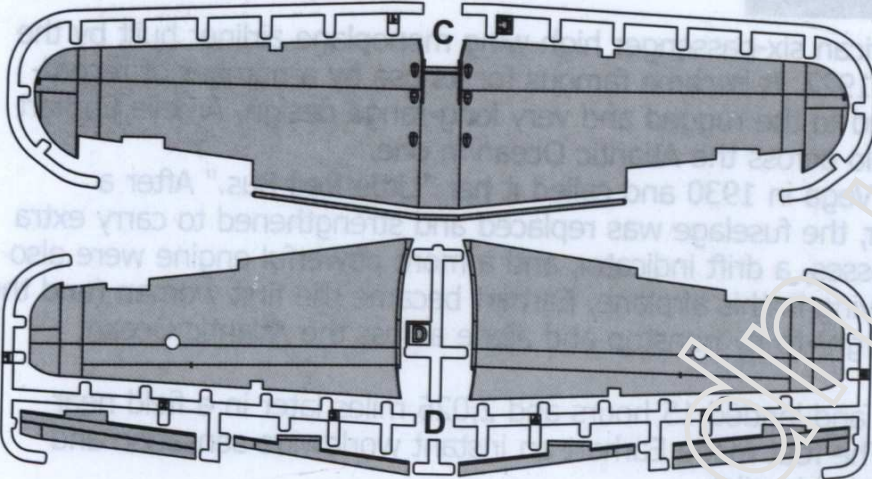
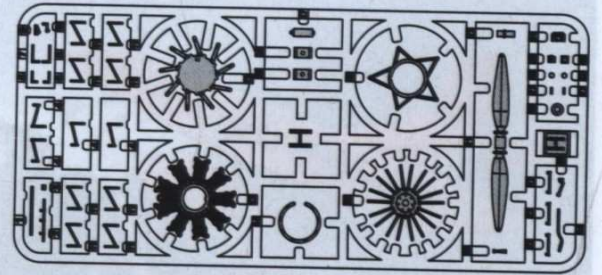
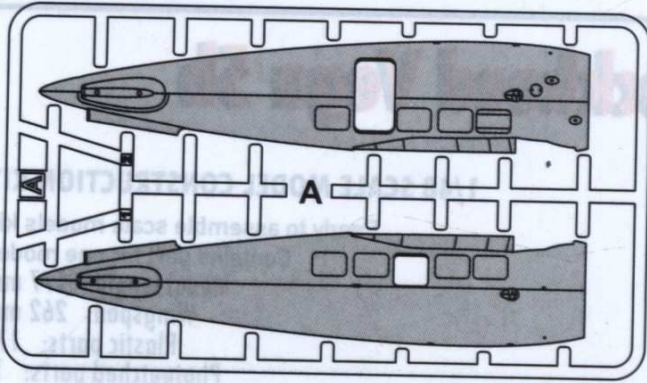
Grace, Newfoundland, Canada and landed 15 hours and 2,026 miles later in a field near Londonderry, Northern Ireland. The feat made Earhart an instant worldwide sensation and proved she was a courageous and able pilot.

Color Chart	MR. HOBBY	Tamiya	AMMO MIG	Hataka	AK
Black	A C33/H12	XF-1	MIG-046	HTK-100	RC 001
Light aircraft grey	B C332/H332	XF-19	MIG-119	HTK-217	RC 298
Light gray	C C338/H338	XF-66	MIG-209	HTK-050	RC 253
Gun metal	D C78/H28	X-10	MIG-045	HTK-106	RC 015
Rubber black	E C137/H77	XF-85	MIG-035	-	RC 022
Signal red	F C79/H11	XF-2	MIG-049	-	RC 005
Clear red	G C47/H90	XF-27	MIG-093	-	RC 503
Clear green	H C138/H94	XF-25	MIG-092	-	RC 505
Aluminium	I MC 218	XF-16	MIG-194	-	RC 020
Burnt iron	J C61/H76	XF-84	MIG-187	-	AK 485

USED SYMBOLS



PARTS OF THE MODEL



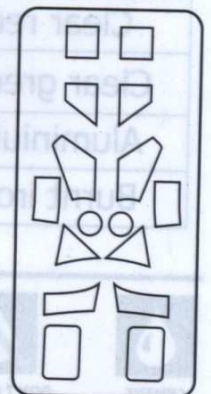
Decal



Pe

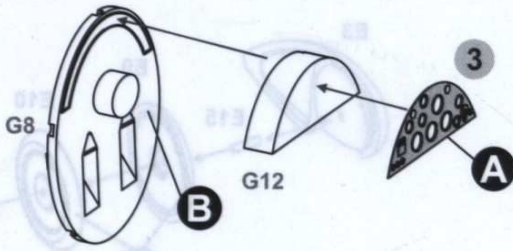


Mask

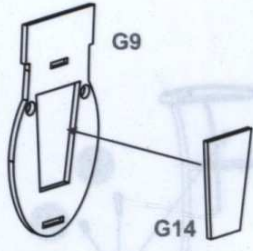


ASSEMBLY INSTRUCTION

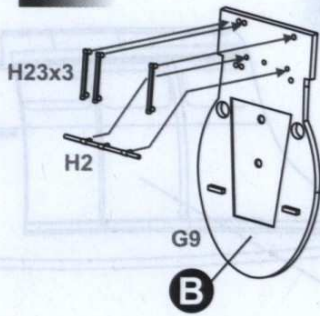
1



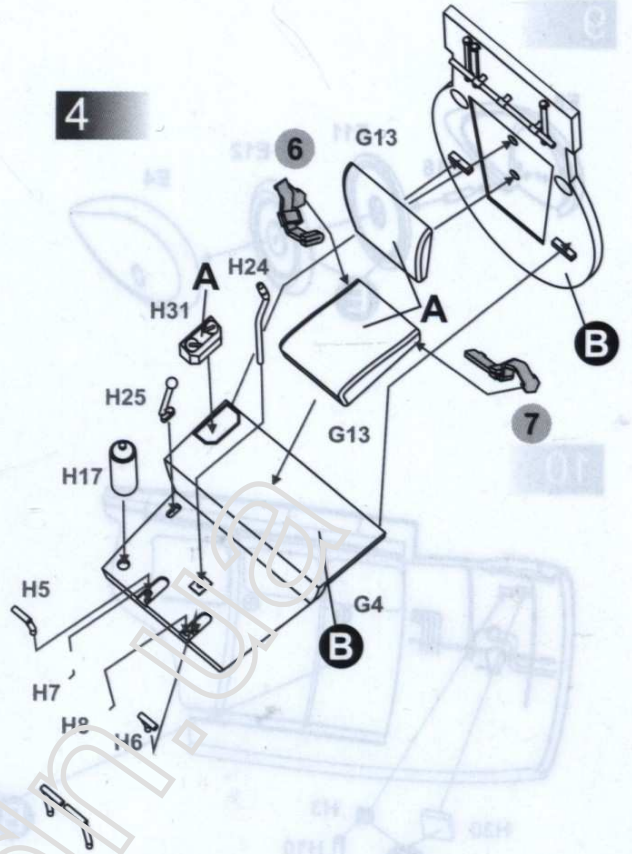
2



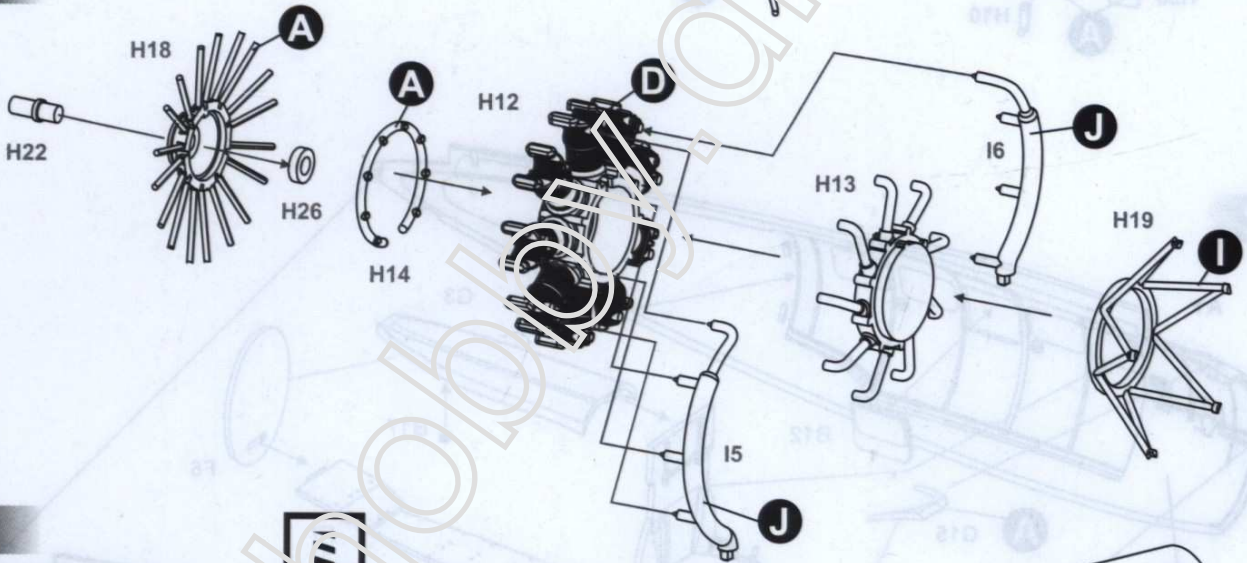
3



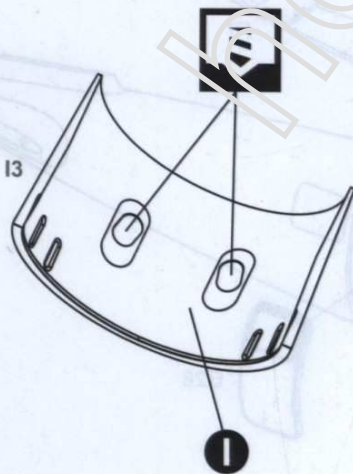
4



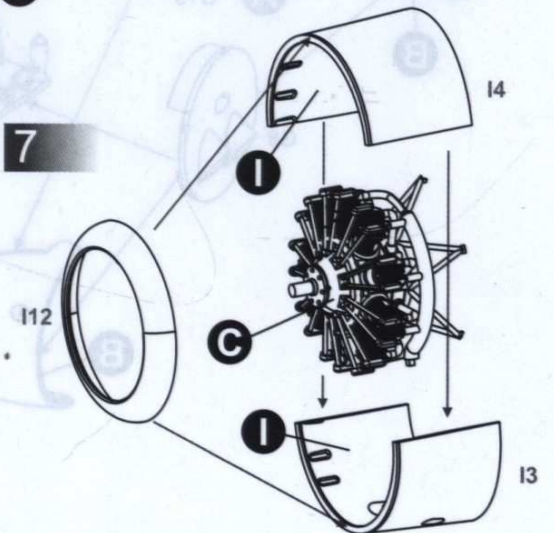
5



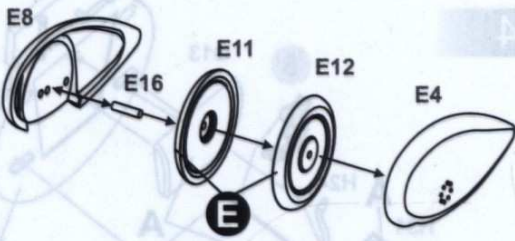
6



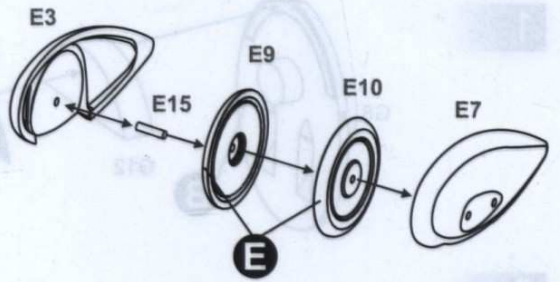
7



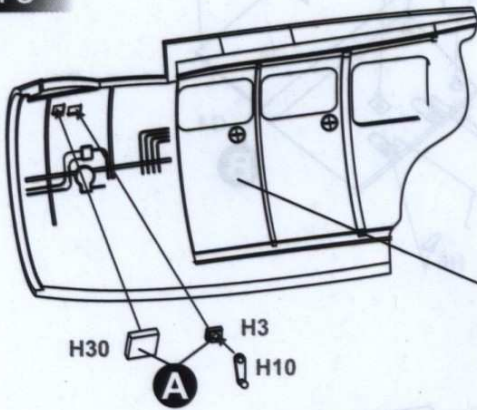
9



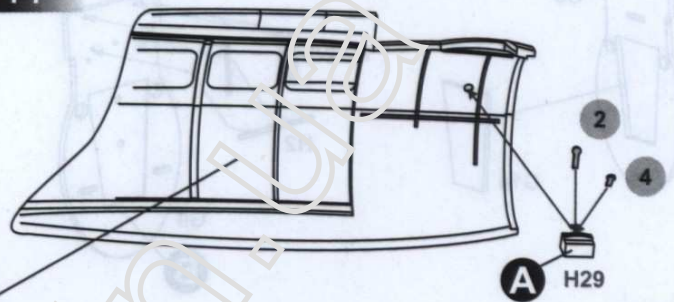
8



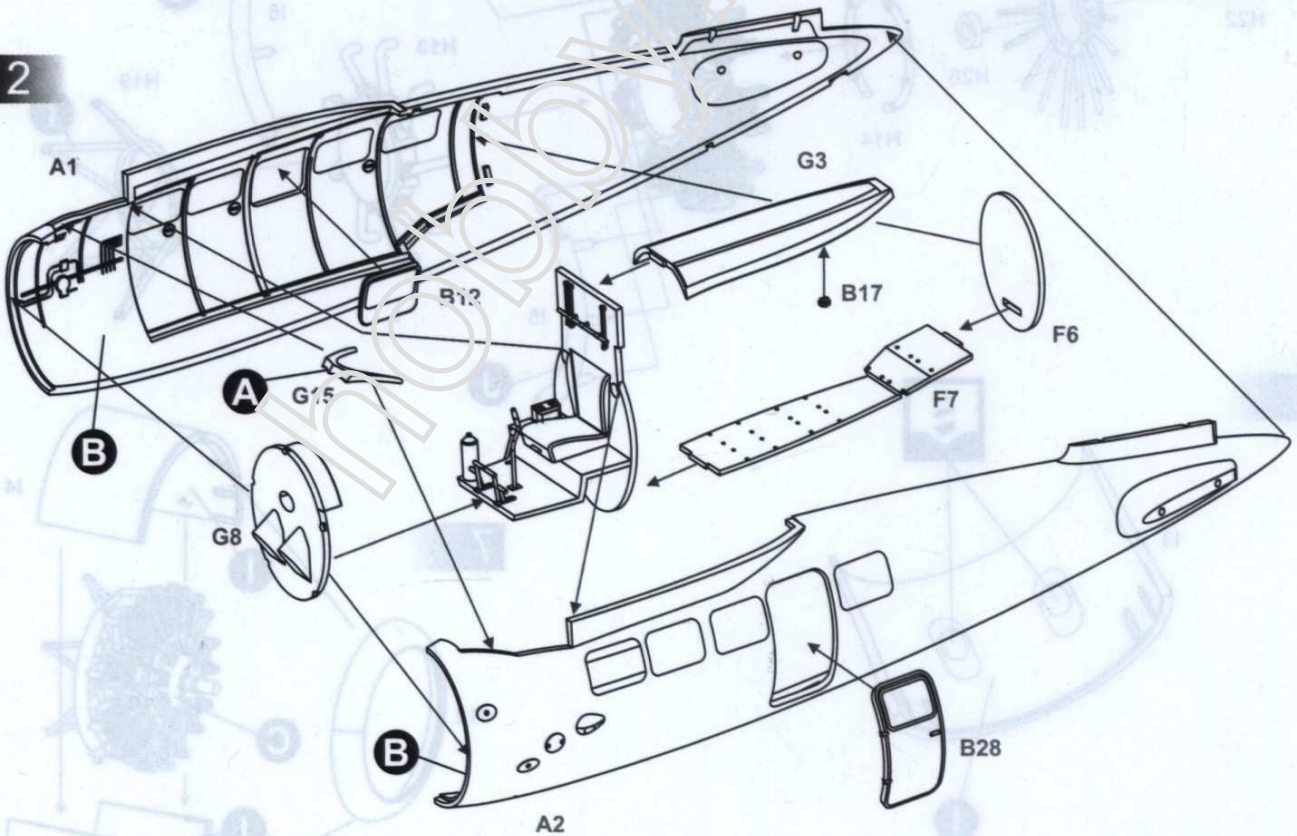
10



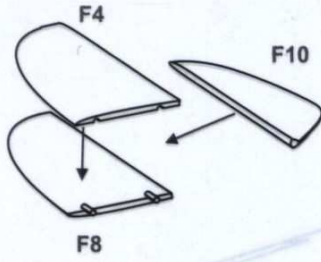
11



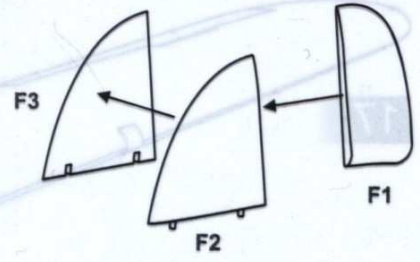
12



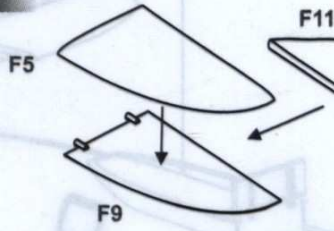
13



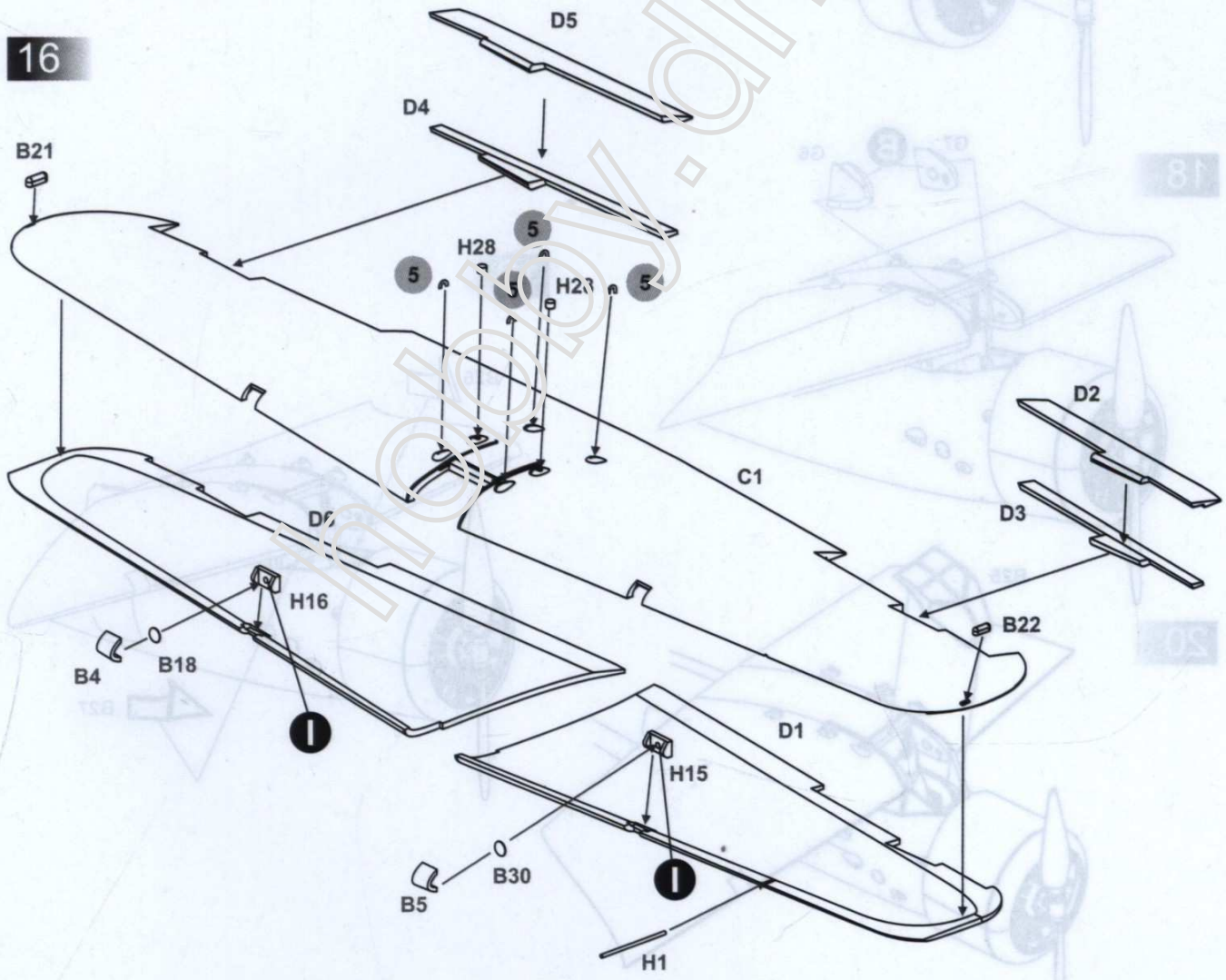
15



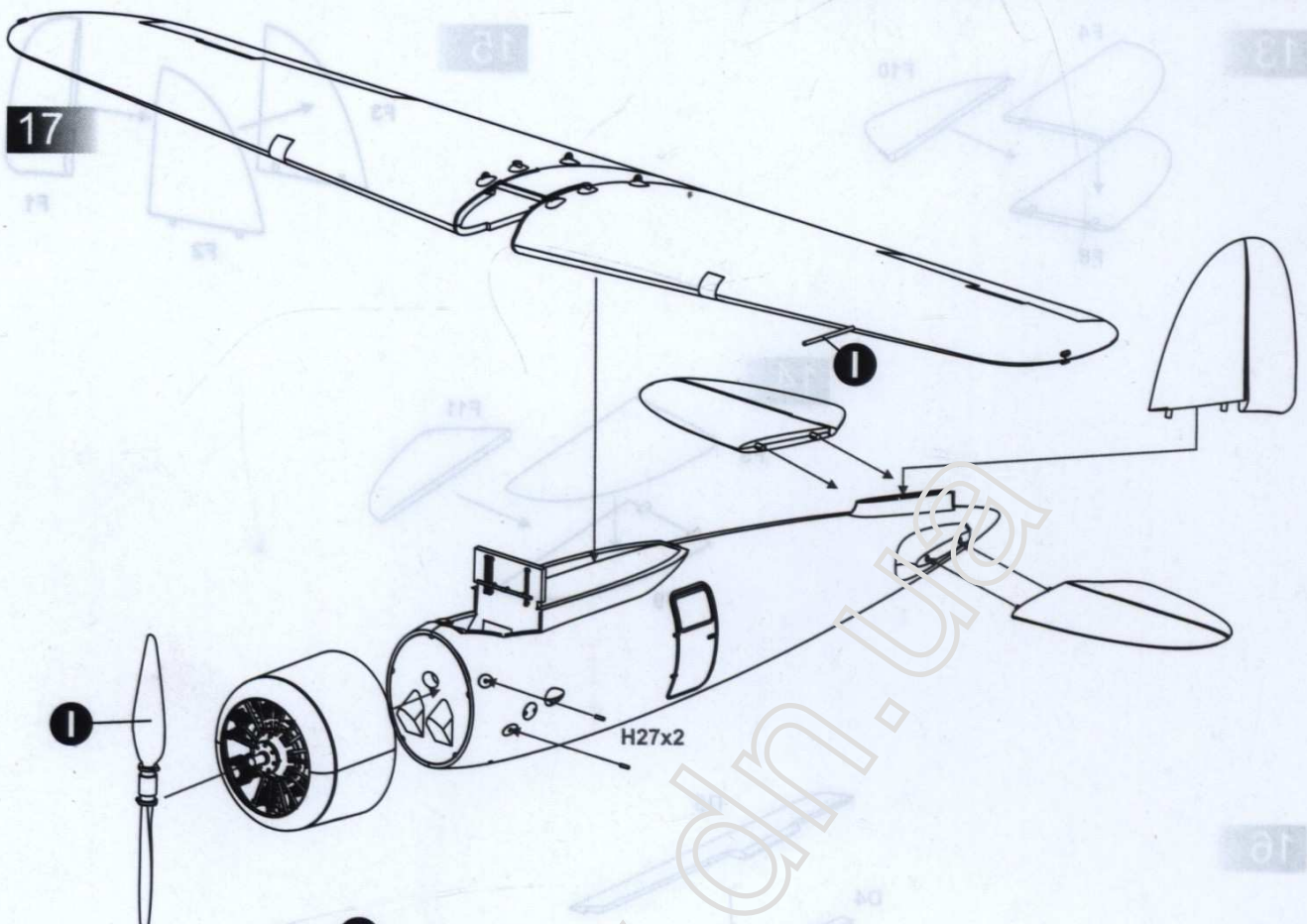
14



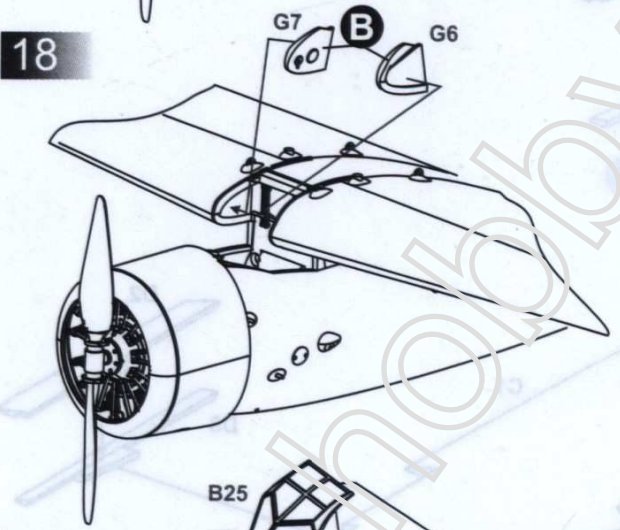
16



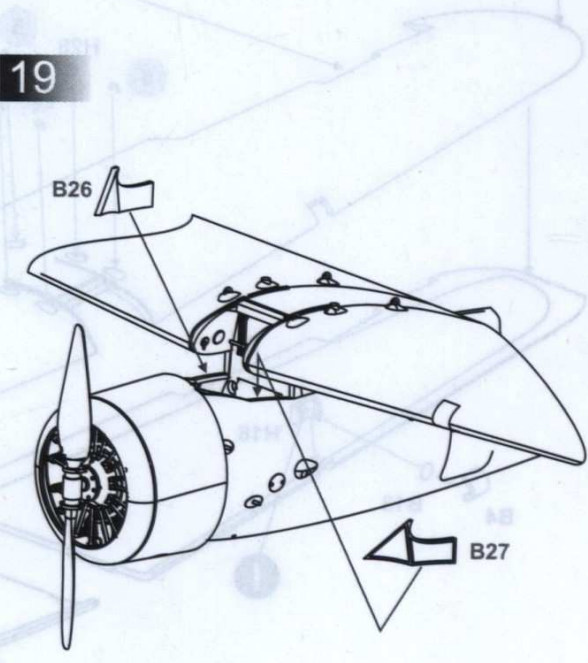
17



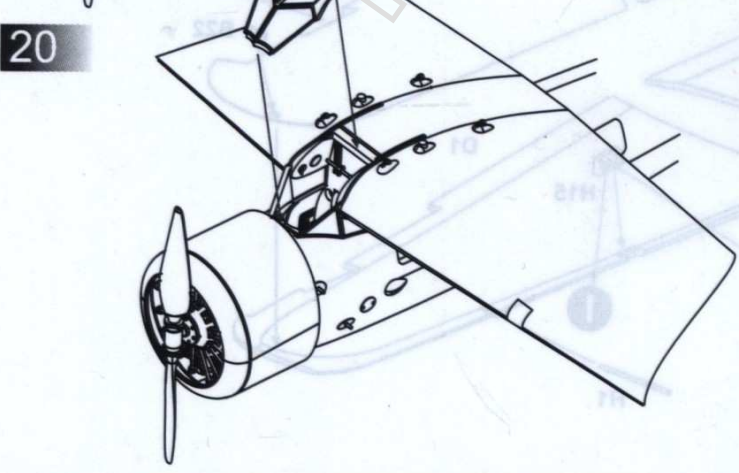
18



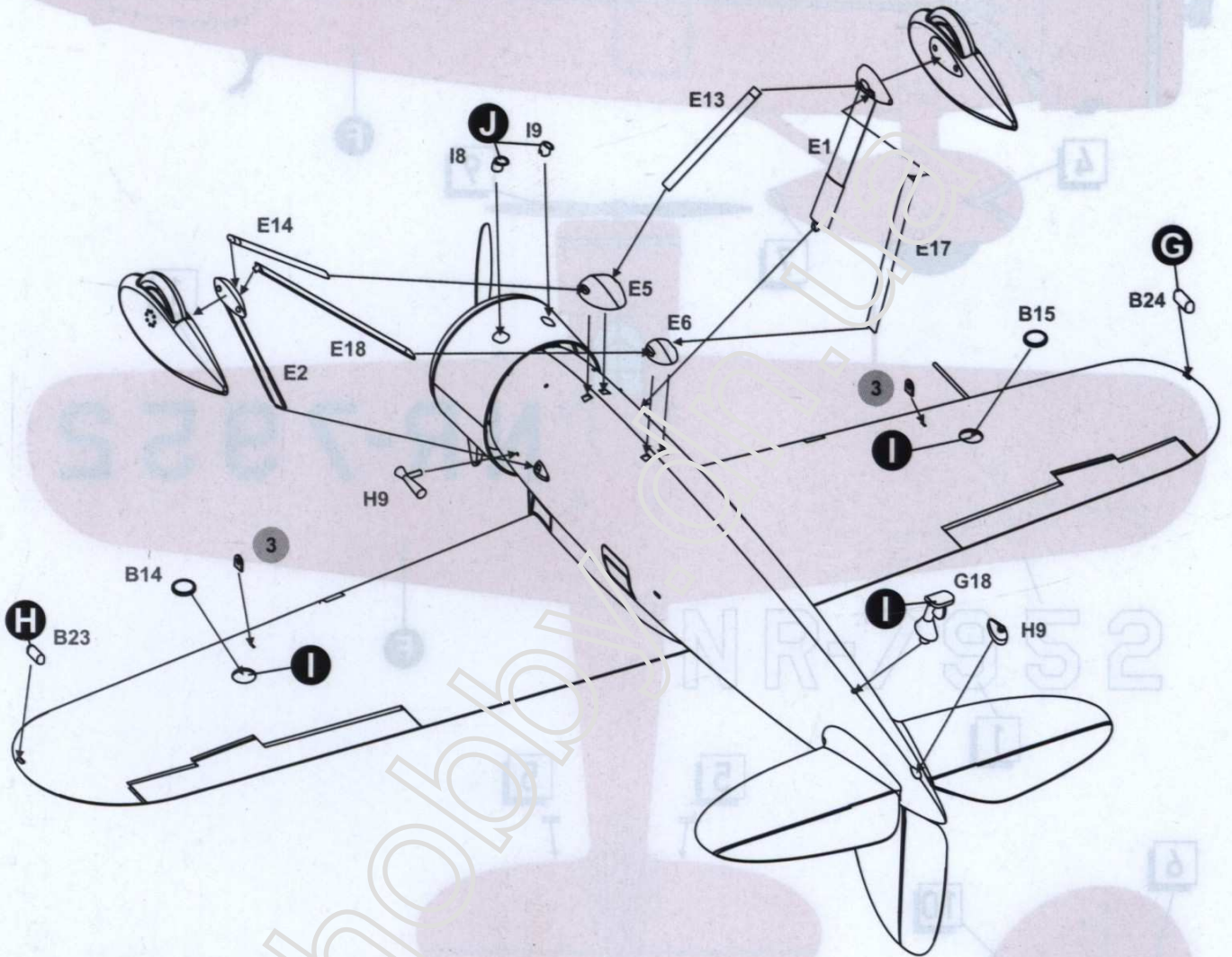
19



20

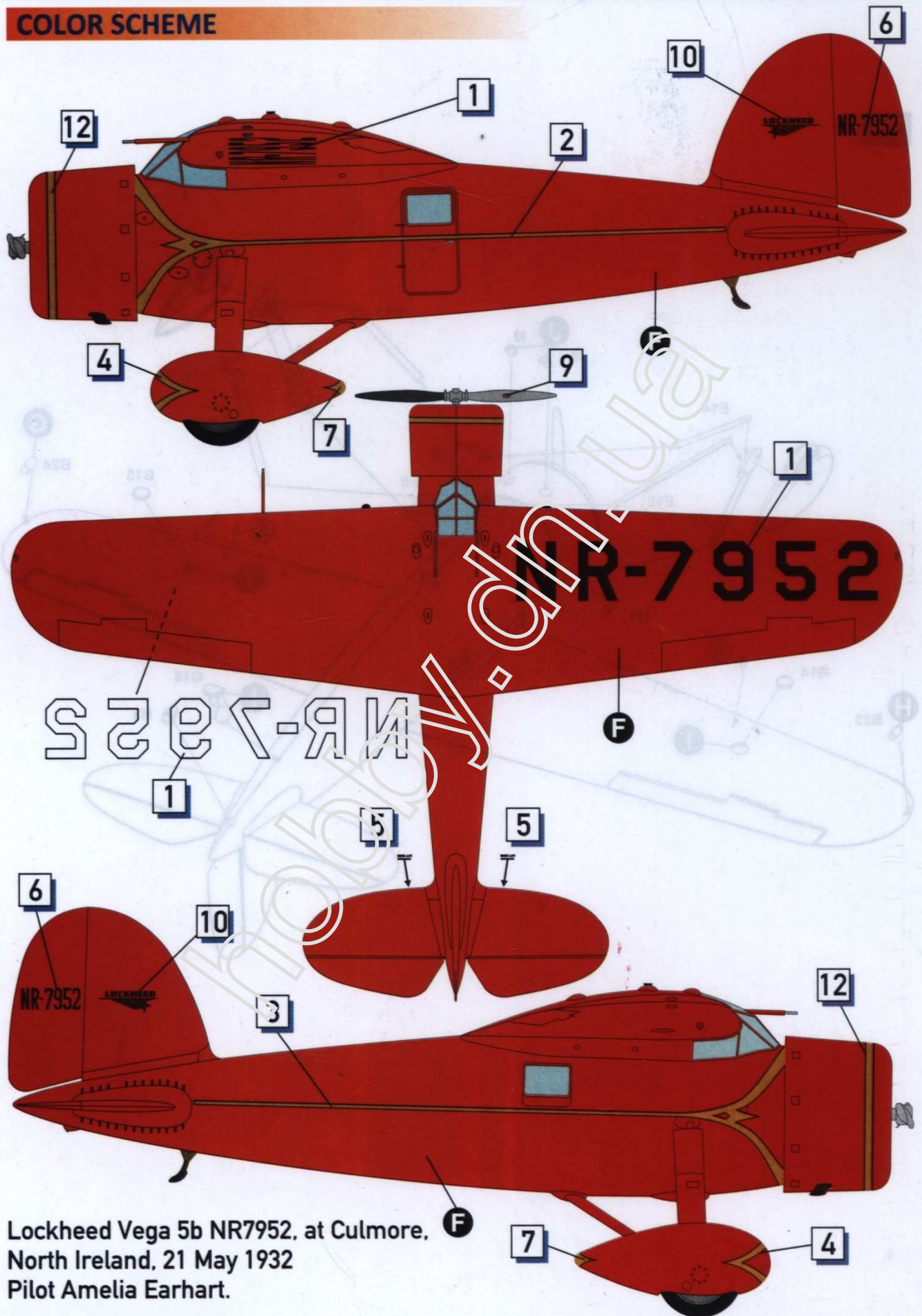


B27



Lockheed Vega 5b NR7952, at Culmore,
North Ireland, 21 May 1932
Pilot Amelia Earhart.

COLOR SCHEME



Lockheed Vega 5b NR7952, at Culmore,
North Ireland, 21 May 1932
Pilot Amelia Earhart.