



1/48 SCALE MODEL CONSTRUCTION KIT

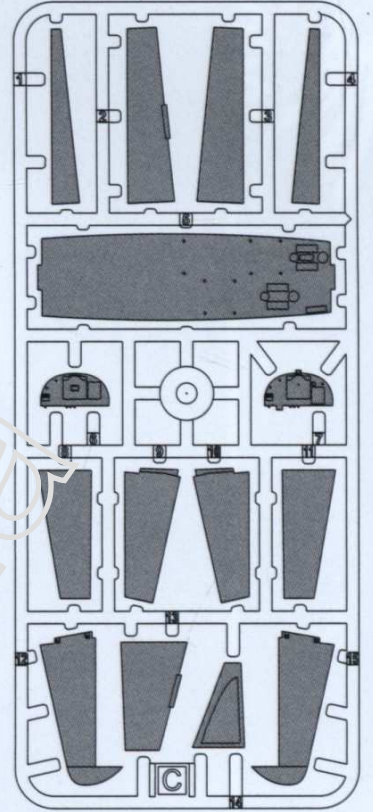
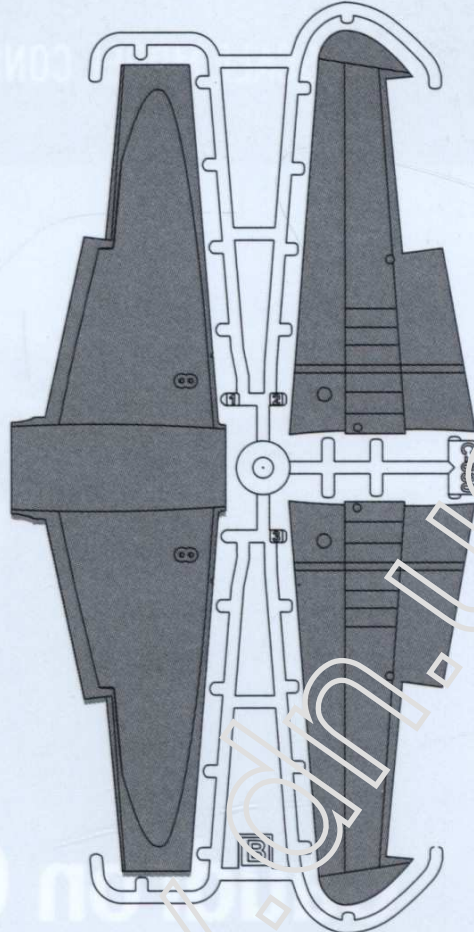
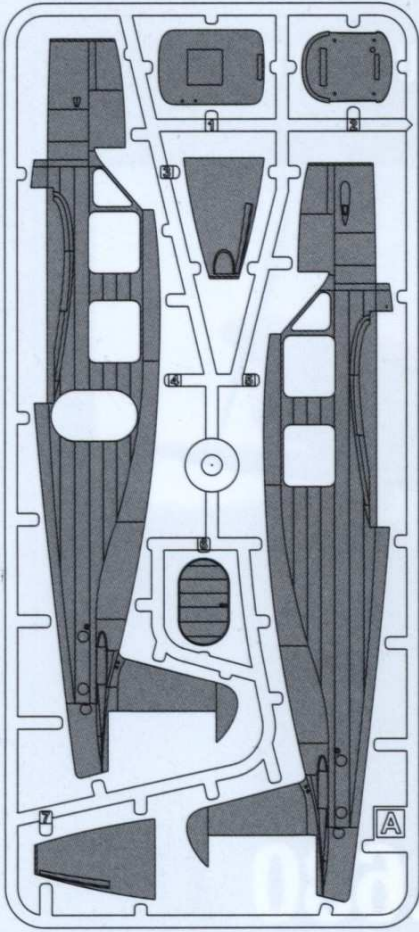


**Caudron C.630  
Simoun**

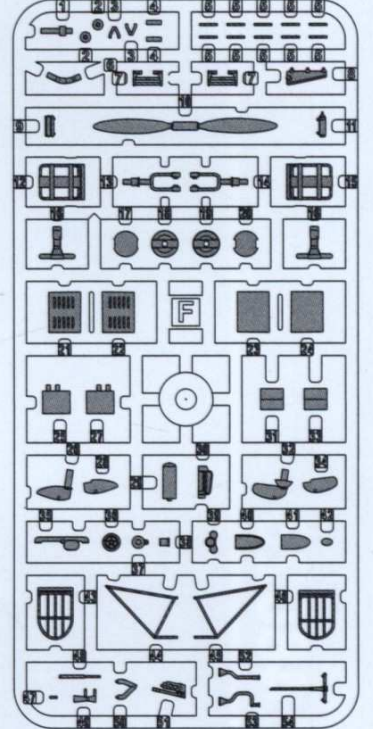
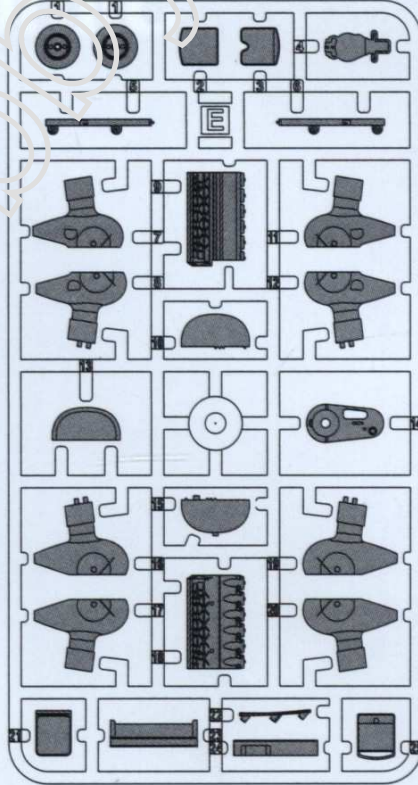
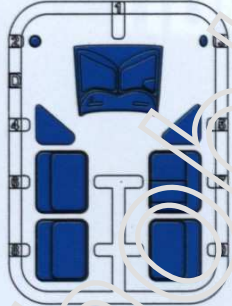
hobbydn.us

DW 48028





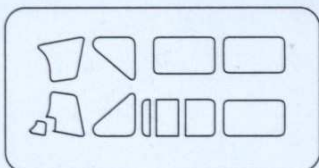
**PE**



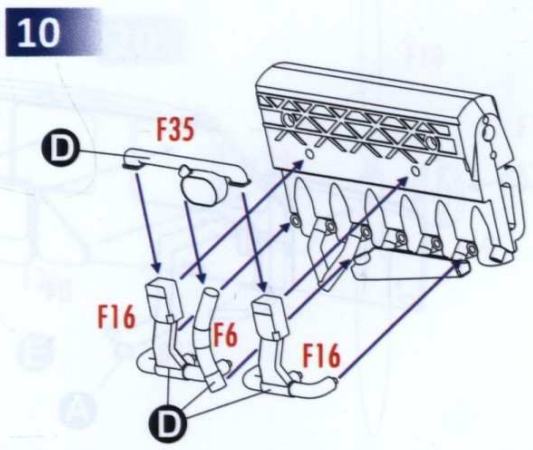
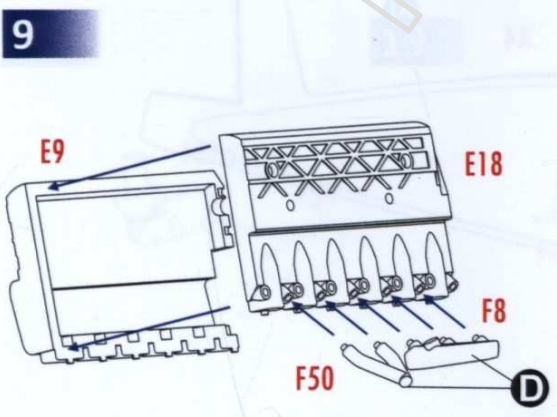
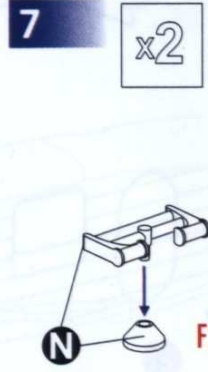
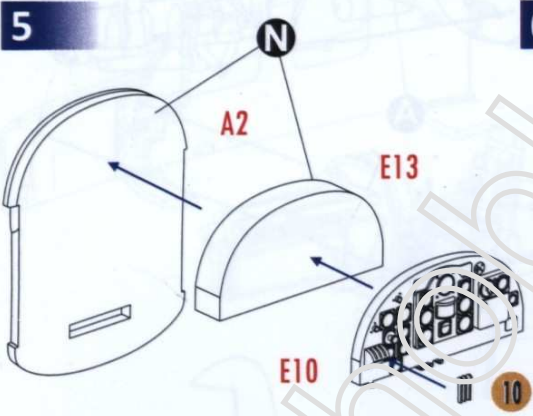
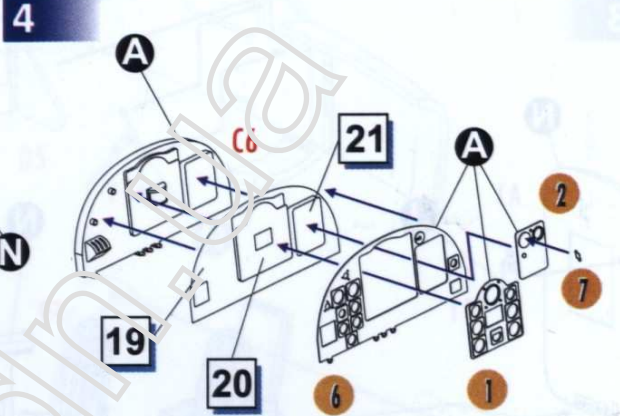
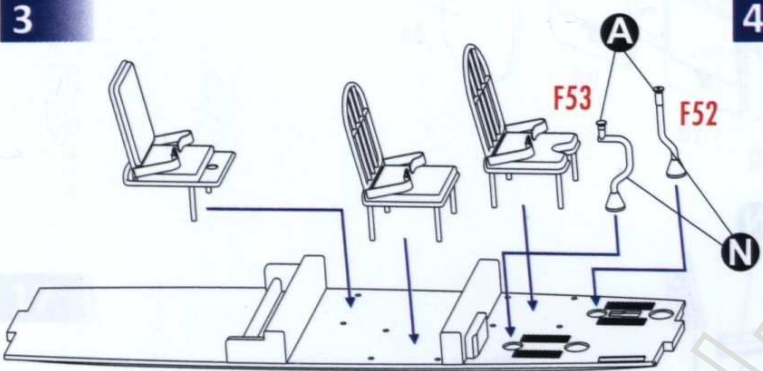
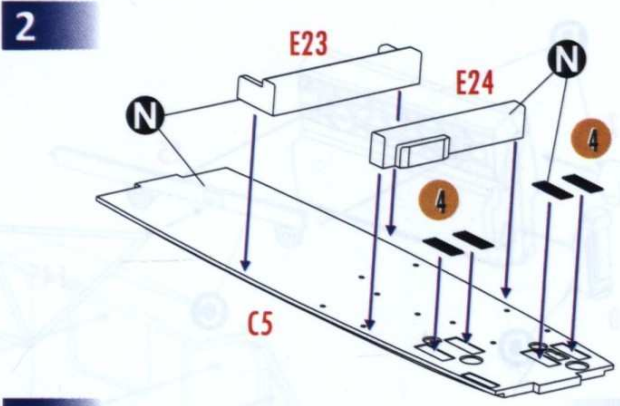
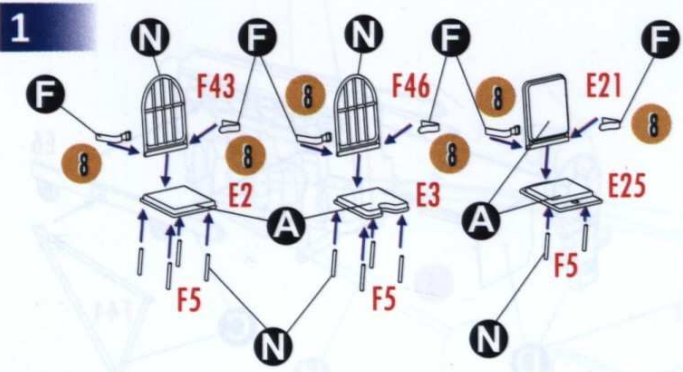
**Decal**



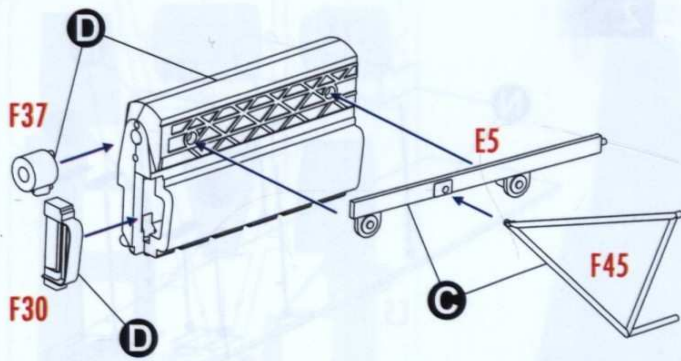
**Mask**



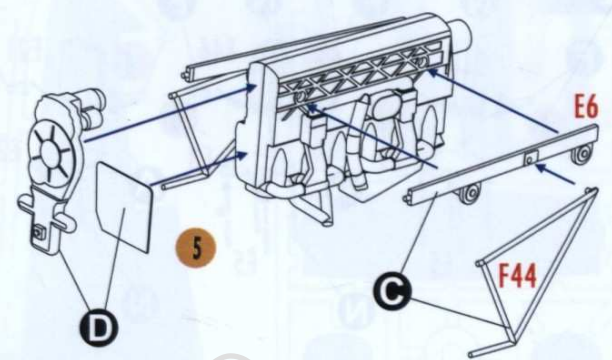




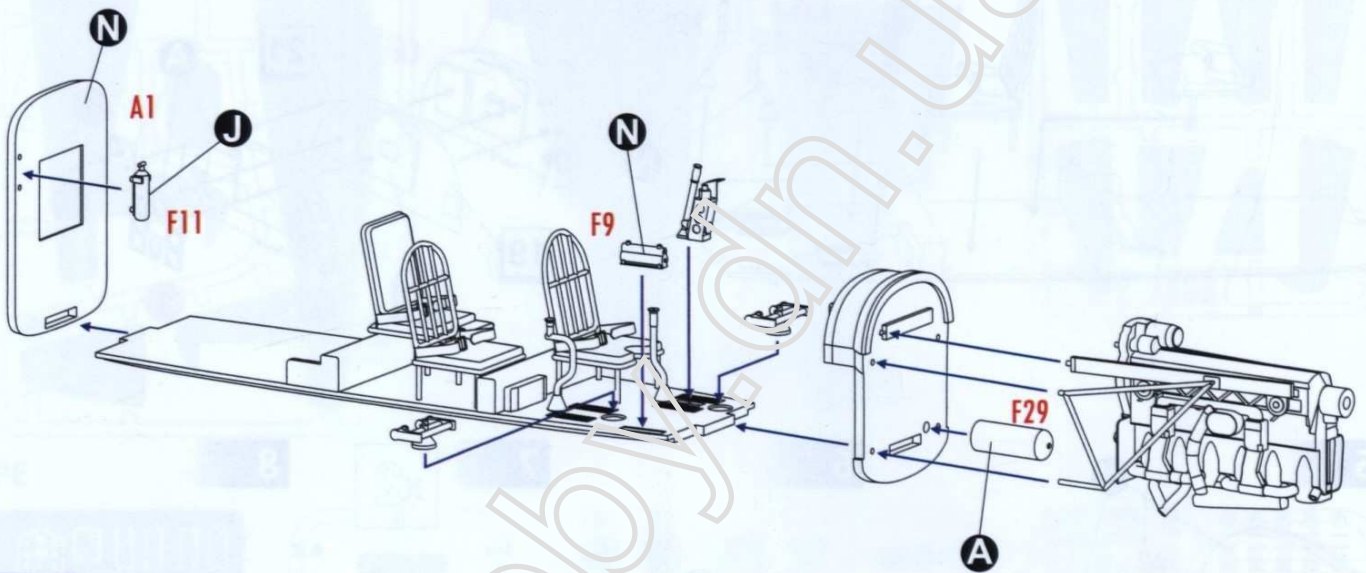
11



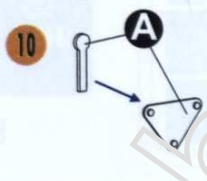
12



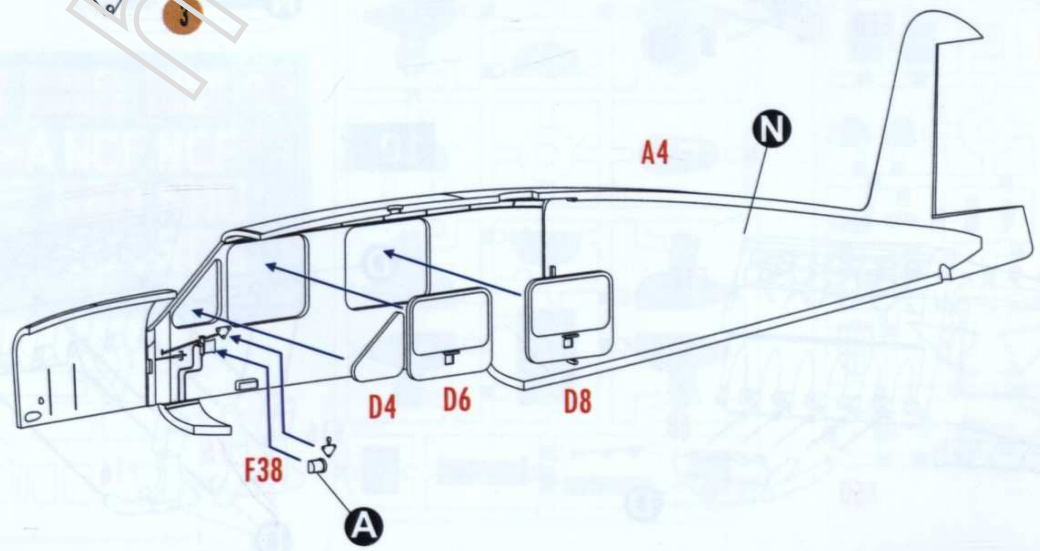
13



14



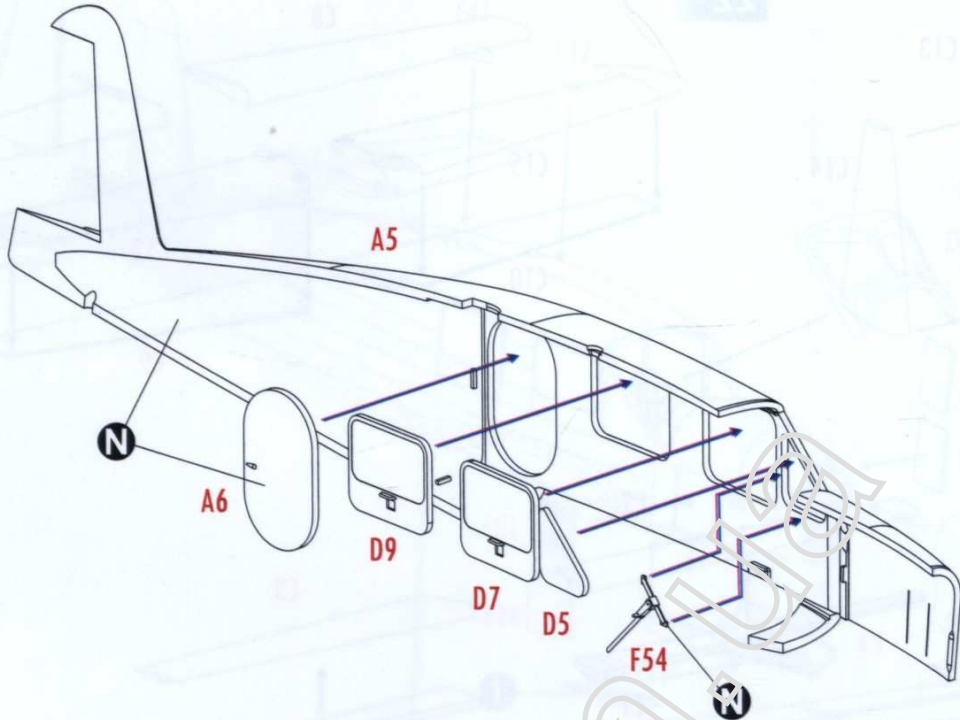
15



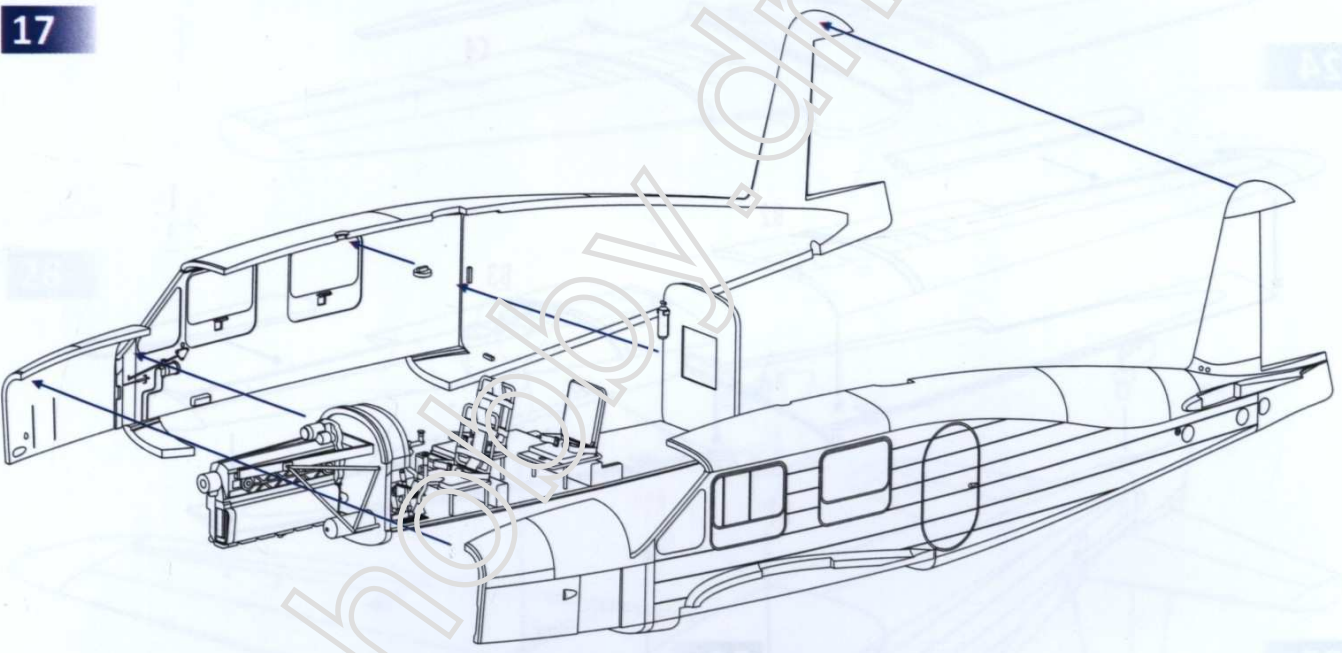


27

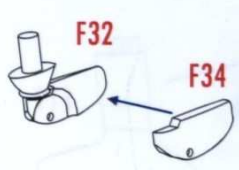
16



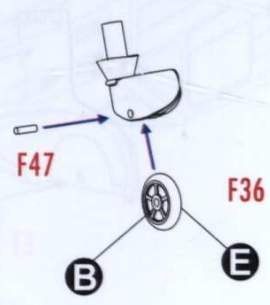
17



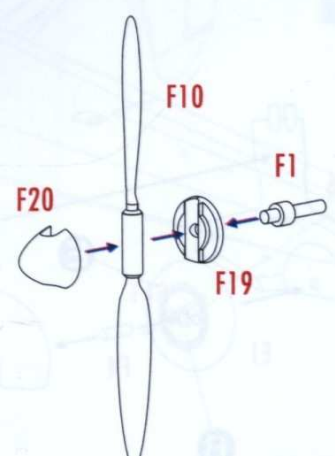
18



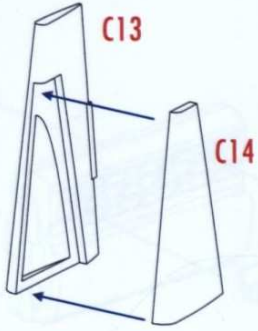
19



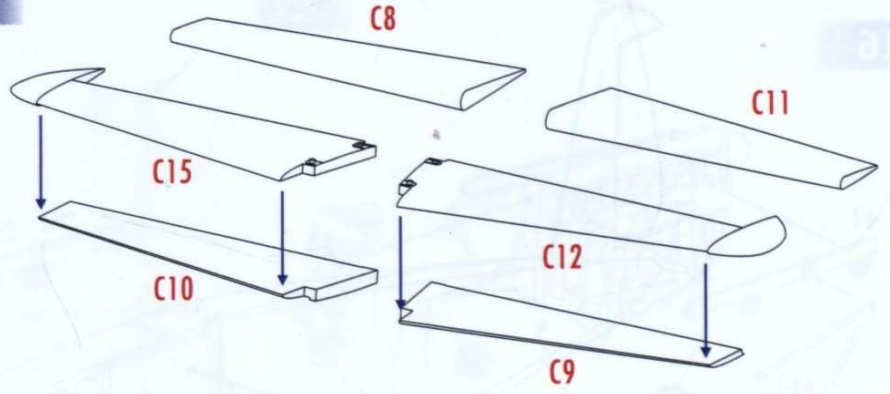
20



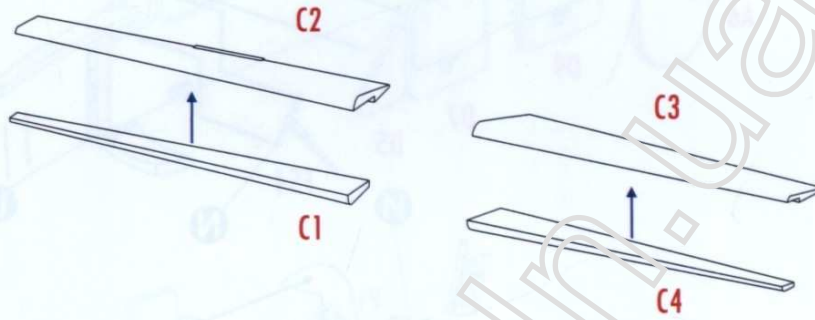
21



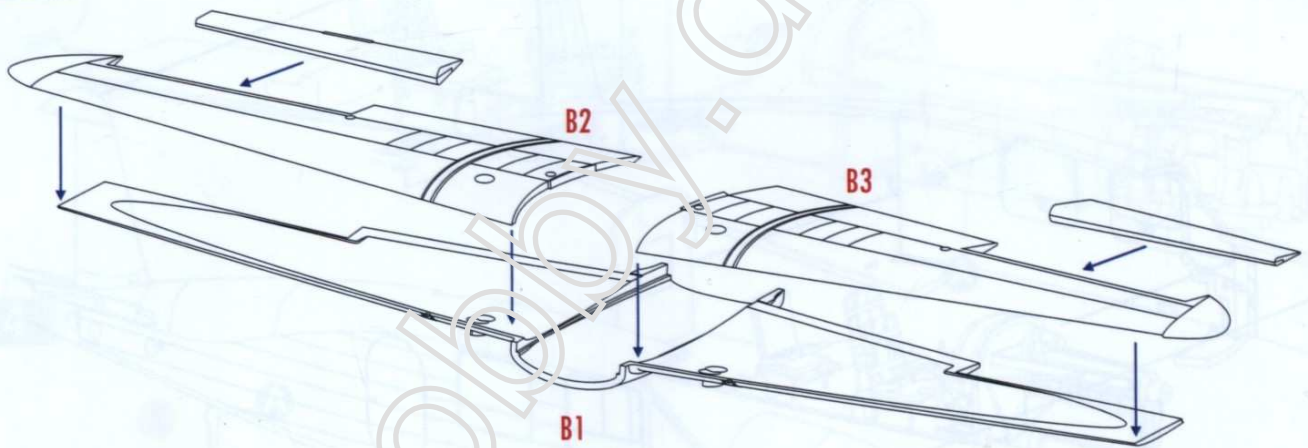
22



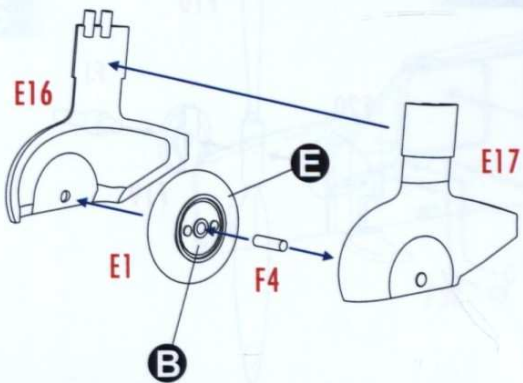
23



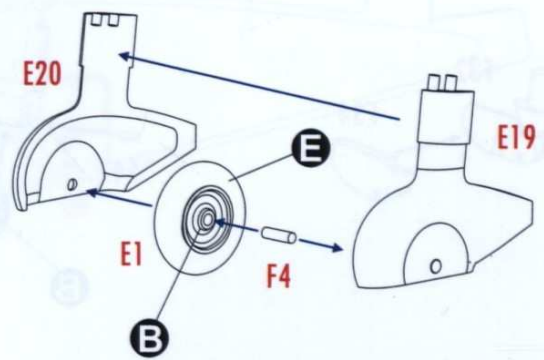
24



25

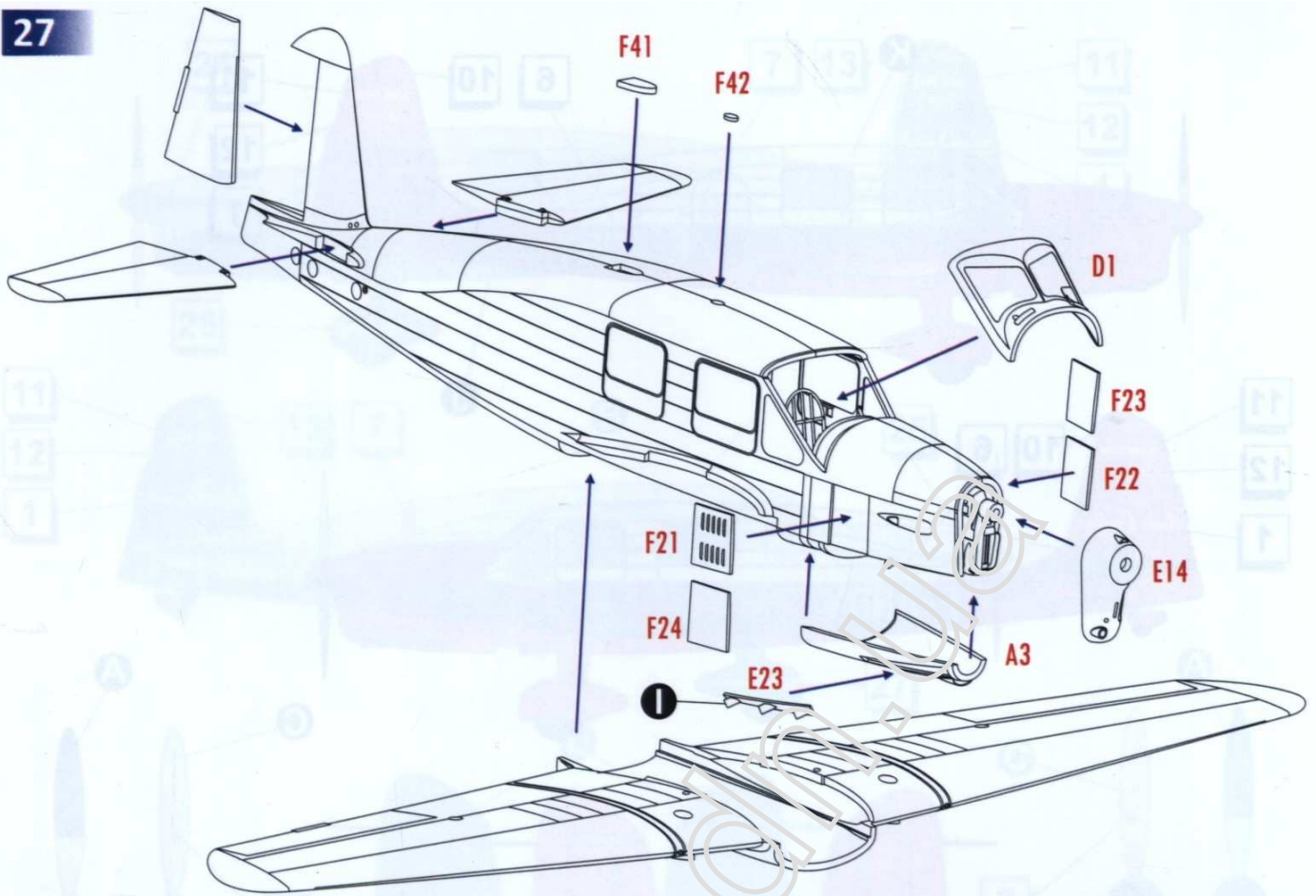


26

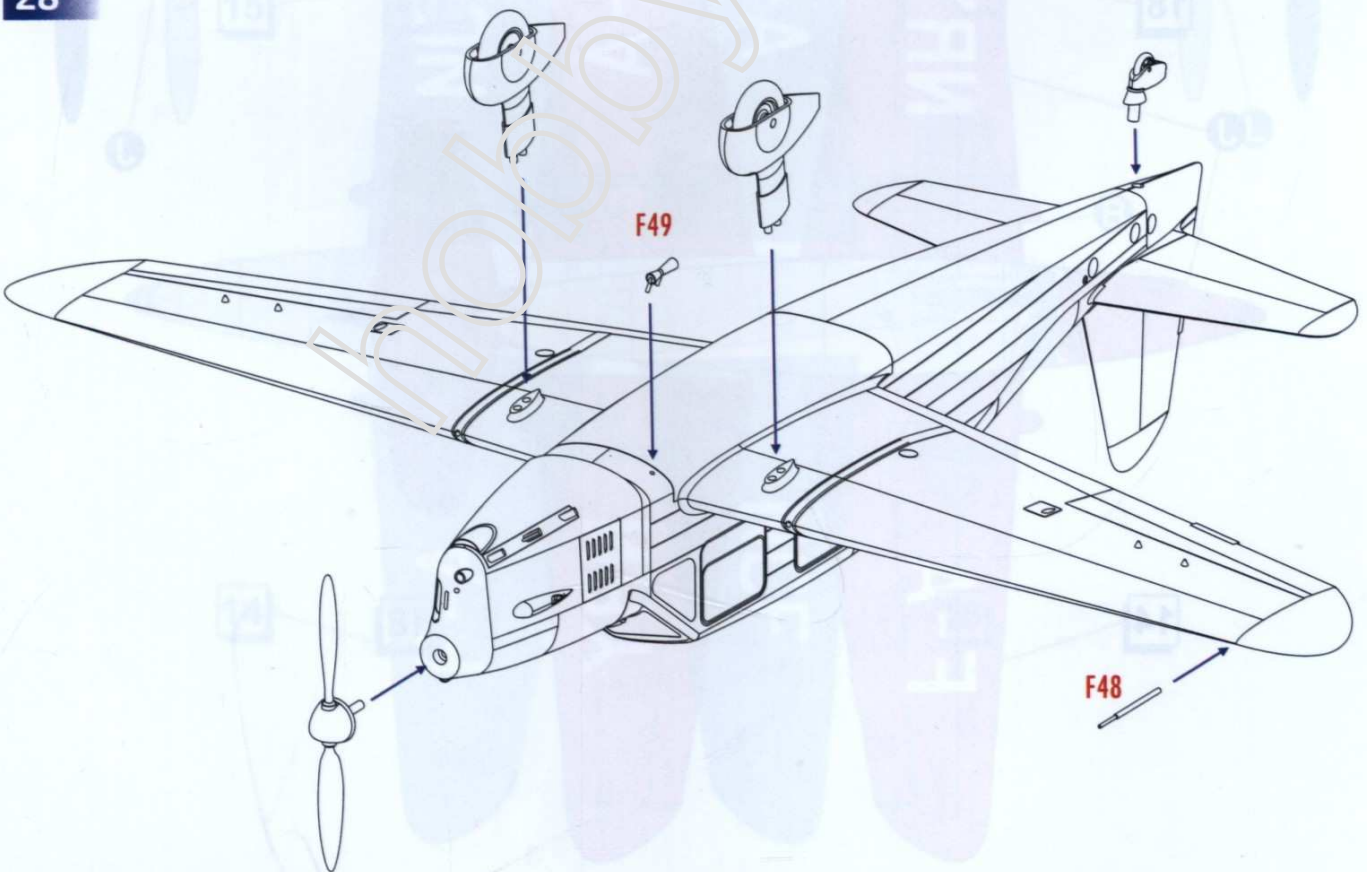


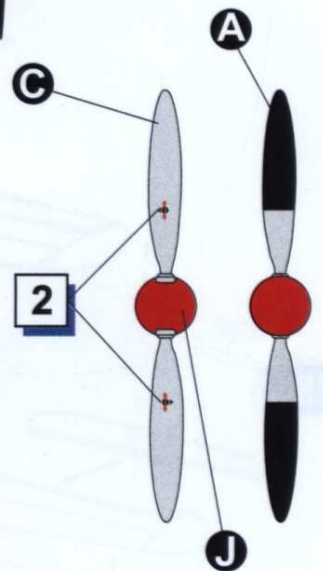
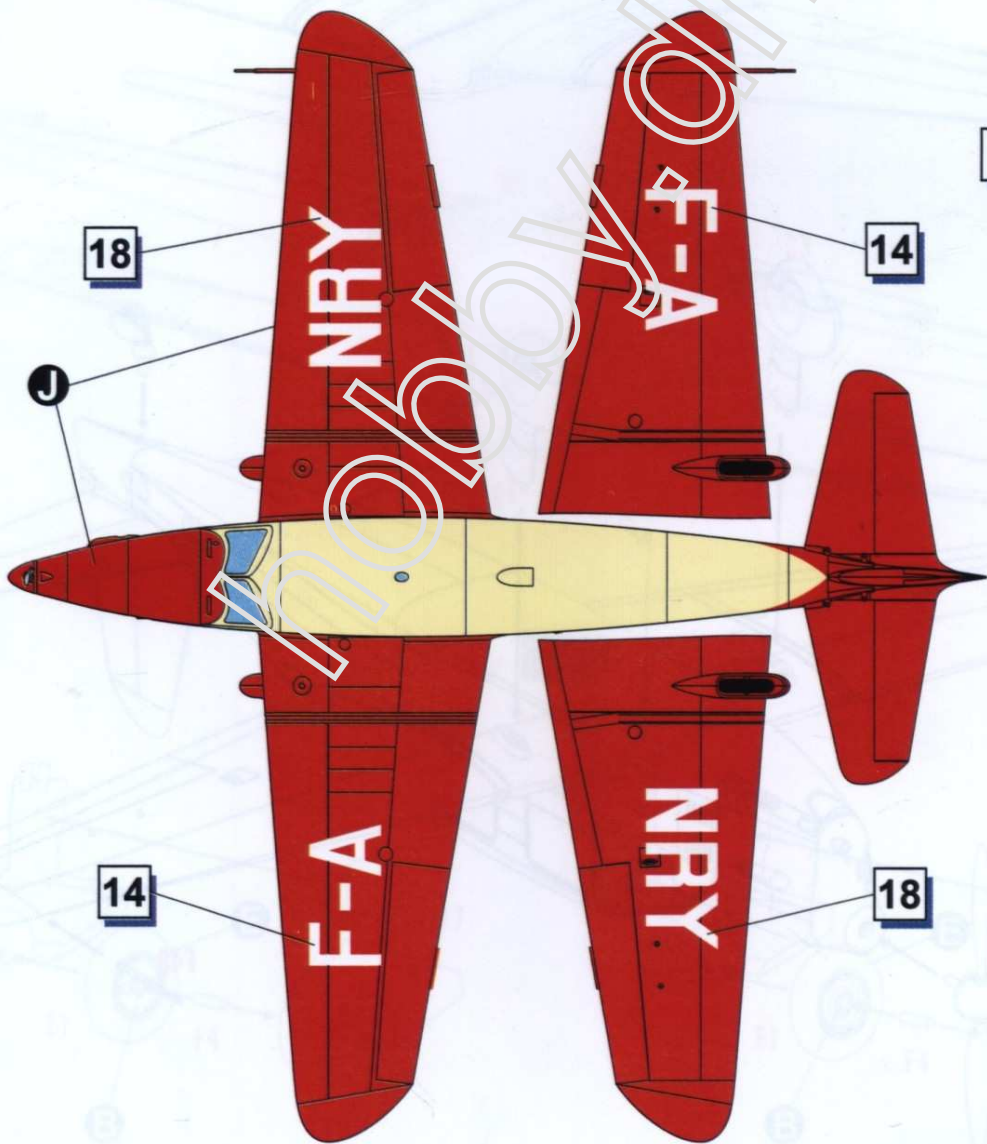
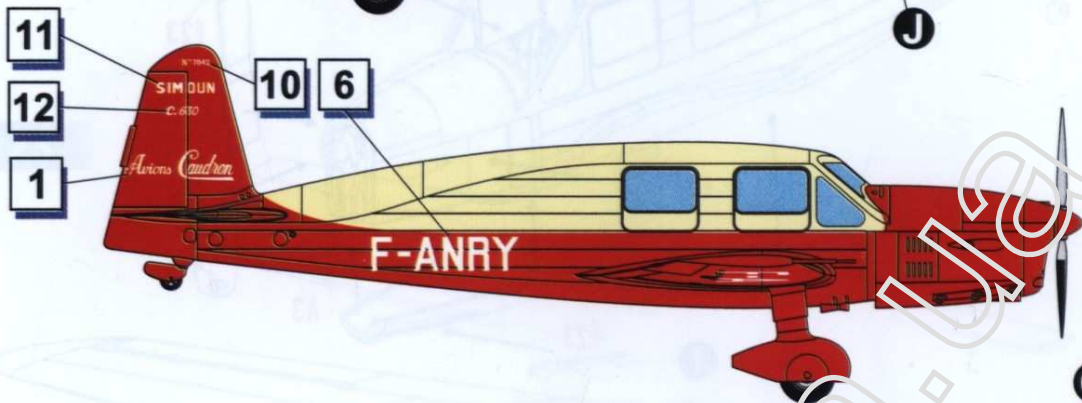
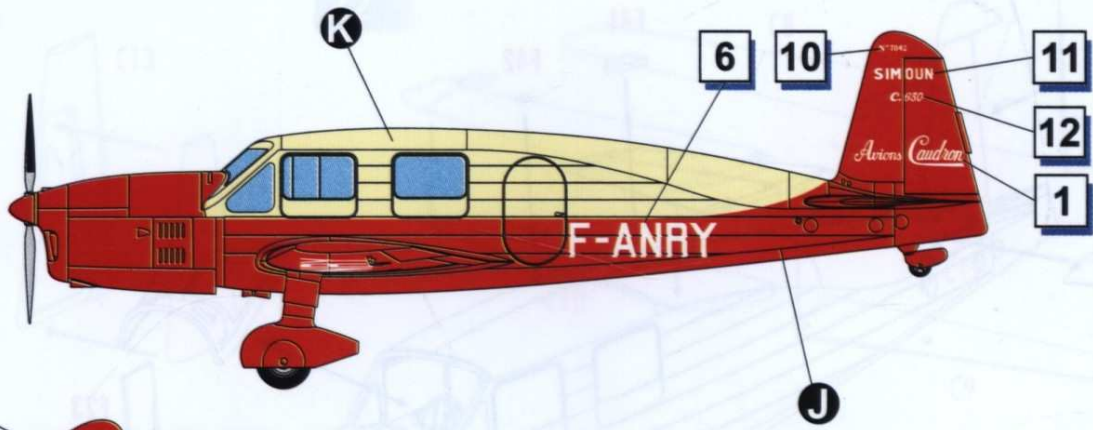


27

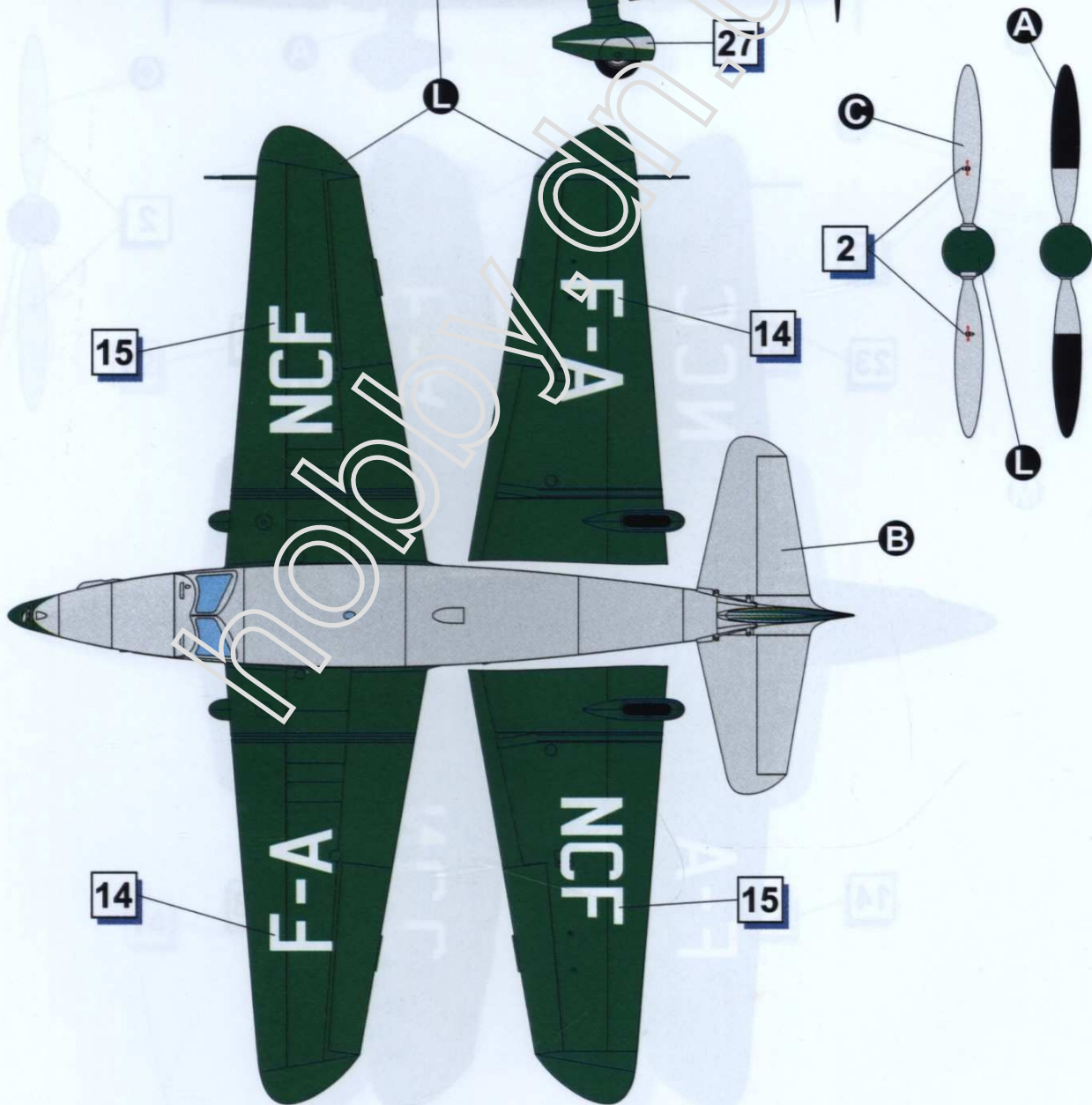
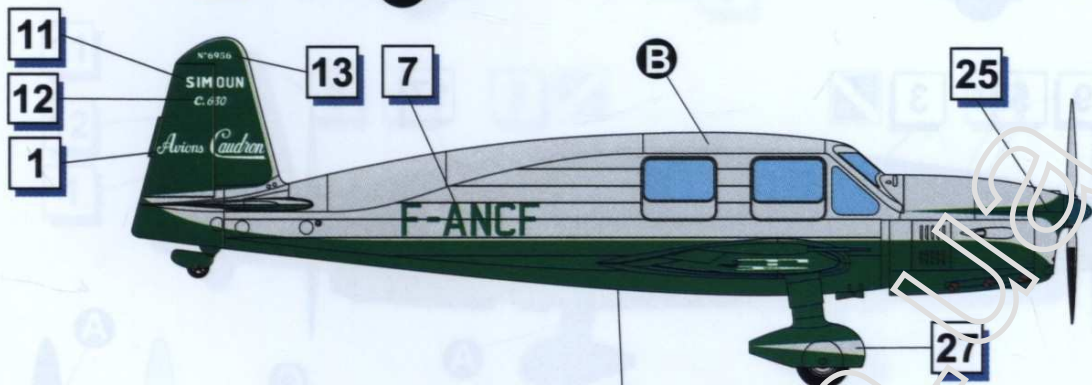
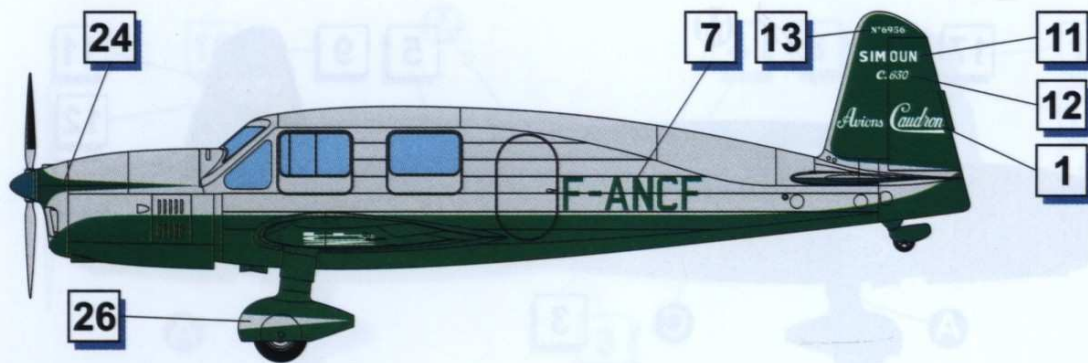


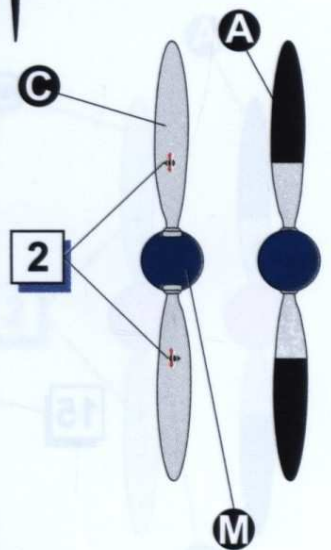
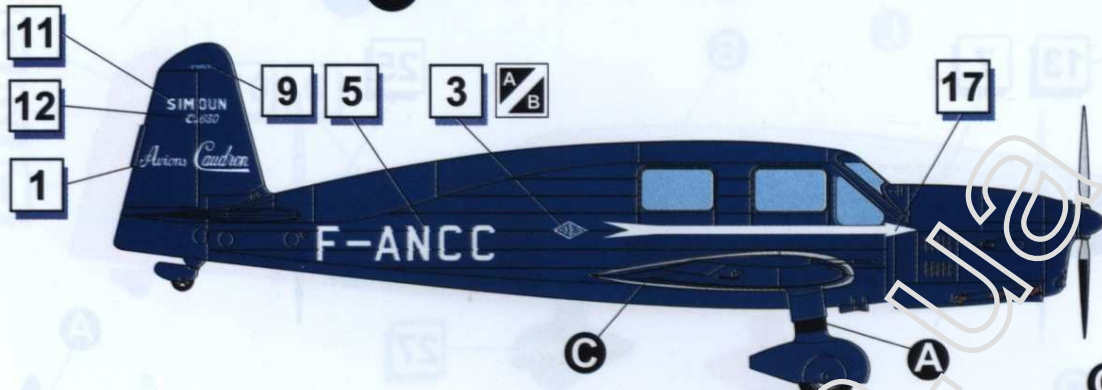
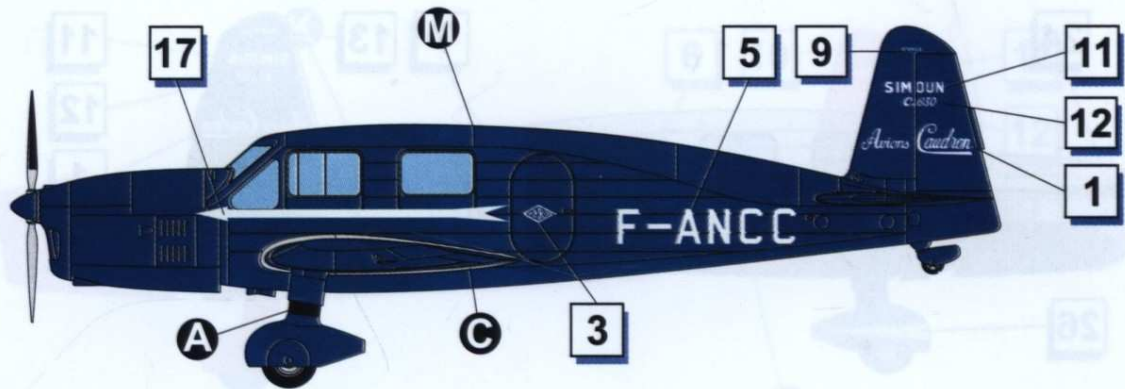
28



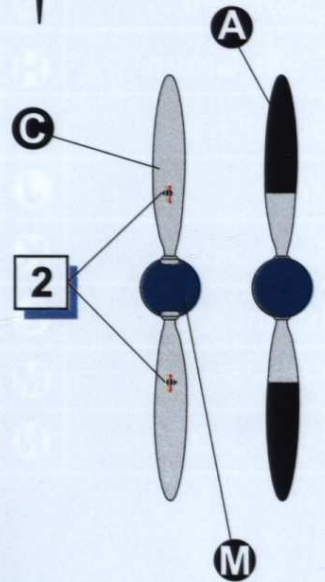
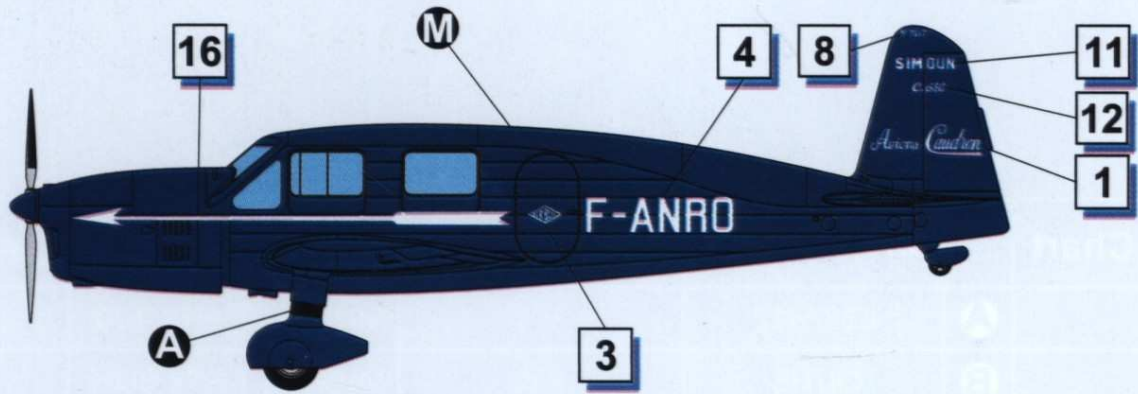












### COLOR TABLE

Color Chart		MR. HOBBY	Tamiya	AMMO MIG	Hataka	LIFECOLOR
Black	<b>A</b>	C33/H12	XF-1	MIG 045	HTK 100	LC 02
Silver	<b>B</b>	C8/H8	X-32	MIG 165	HTK B003	LC 74
Aluminium	<b>C</b>	MC 218	XF-16	MIG 194	HTK 078	LC 24
Gun Metal	<b>D</b>	C78/H28	X-10	MIG 045	HTK 106	LC 26
Rubber Black	<b>E</b>	C137/H77	X-35	MIG 035		UA 733
Tan	<b>F</b>	C44/H27	XF-55	MIG 202	HTK 187	LC 15
Clear Red	<b>G</b>	C47/H90	XF-27	MIG 093		
Clear Green	<b>H</b>	C138/H94	XF-35	MIG 092		
Burnt Iron	<b>I</b>	C61/H76	XF-25	MIG 187		LC 37
Red	<b>J</b>	C327/H327	XF-2	MIG 049	HTK-103	LC 56
Sail color	<b>K</b>	C45/H85		MIG-0011		
Bright green	<b>L</b>	C66/H26		MIG-0054	HTK-221	UA 055
French blue	<b>M</b>	C526/H326	X-3	MIG-0062	HTK-283	LC 35
Bleu Nuit Interieur	<b>N</b>	C366/H56	XF-18	MIG 228	HTK 027	UA 45