



1/72 SCALE MODEL CONSTRUCTION KIT



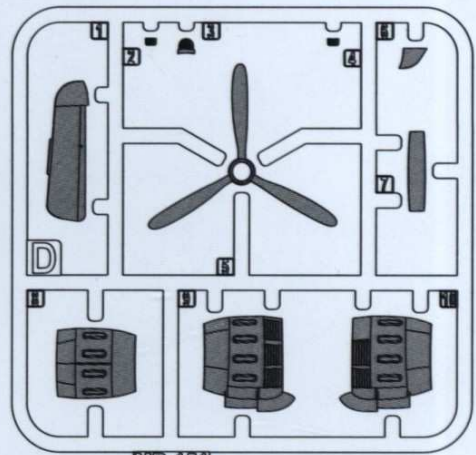
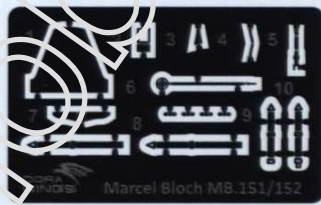
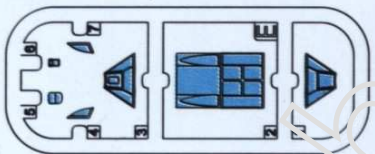
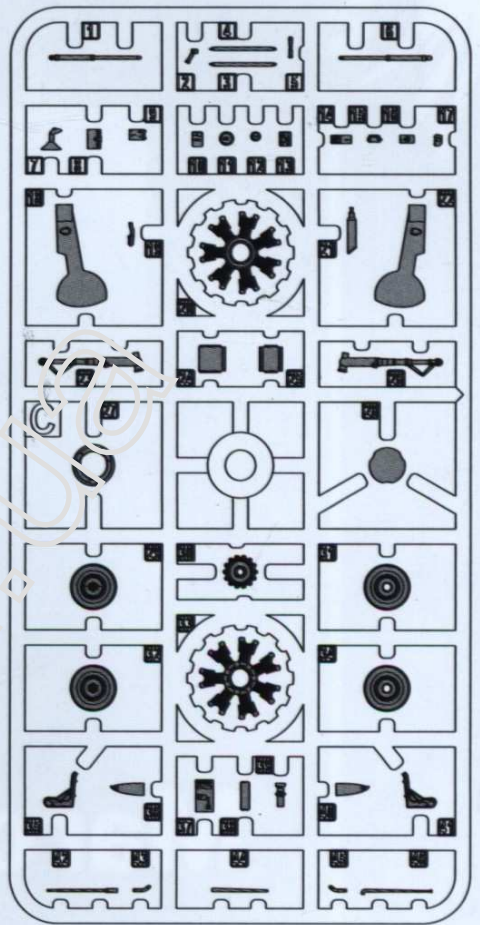
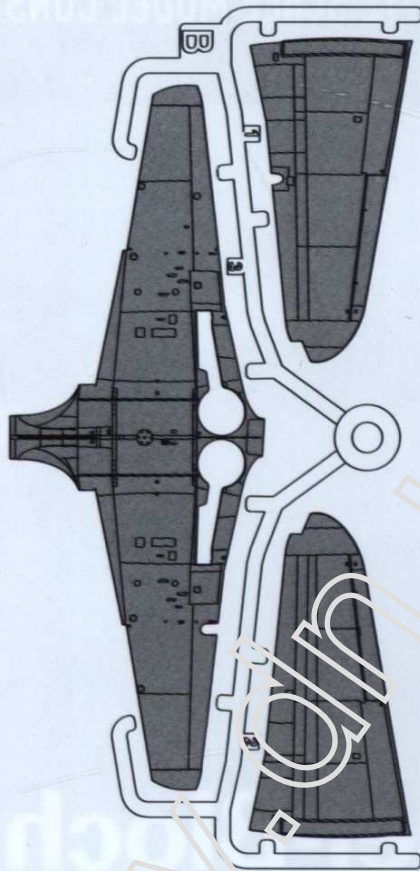
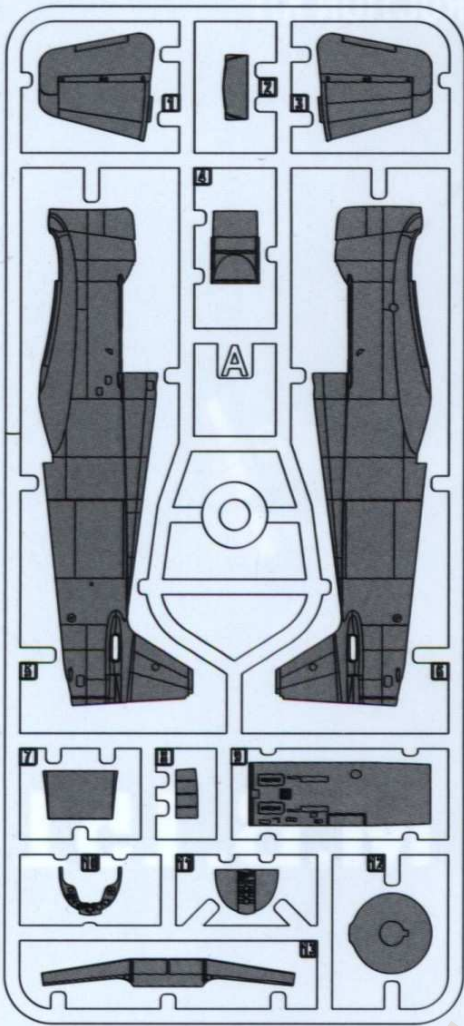
Marcel-Bloch M.B.151

DW 72026

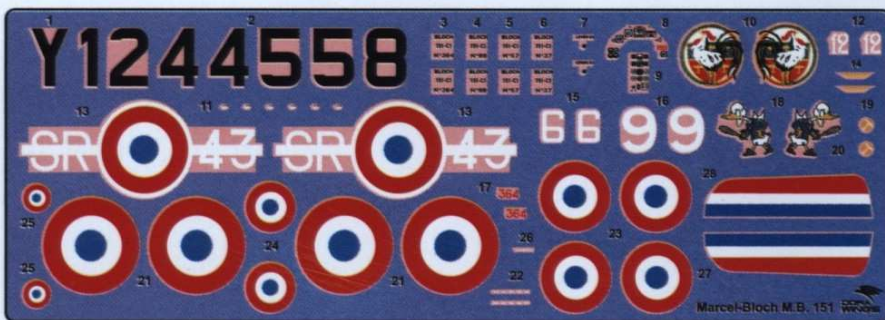
hobbydn.us

PARTS OF THE MODEL

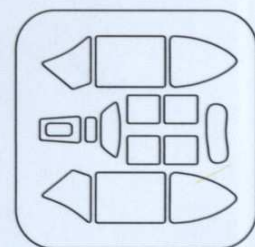
In memory of our friend Joël Ducasse - 1957-2019
The model was created according to the original drawings developed by Joel Ducasse in collaboration with Billault Sosthene Waroff



Decal

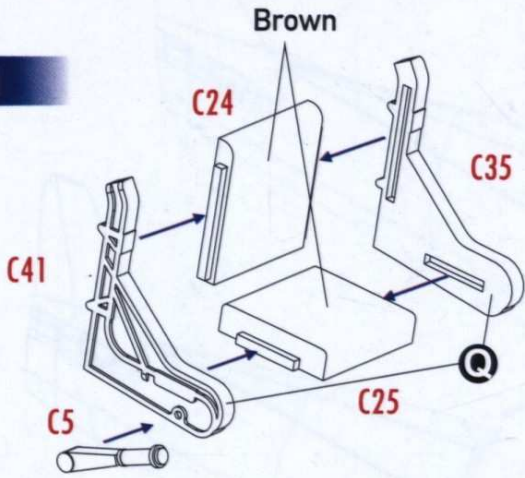


Mask

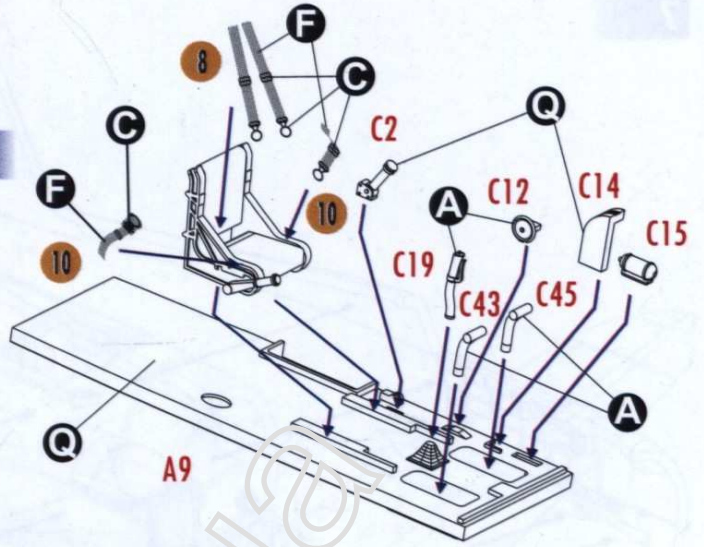


ASSEMBLY INSTRUCTION

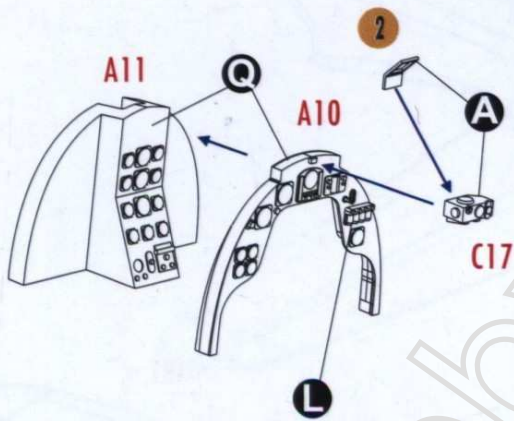
1



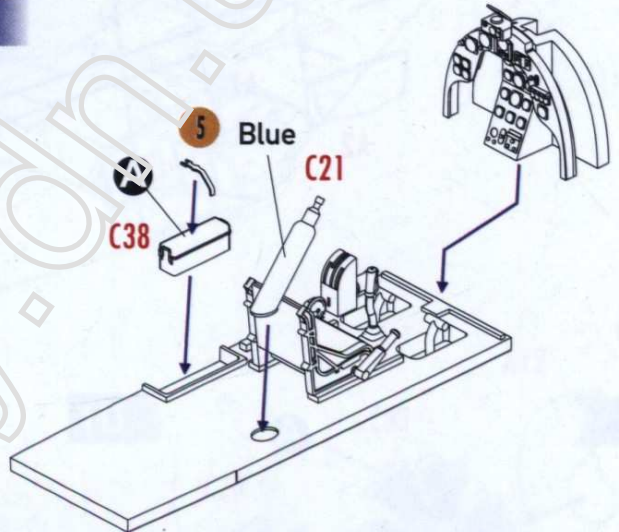
2



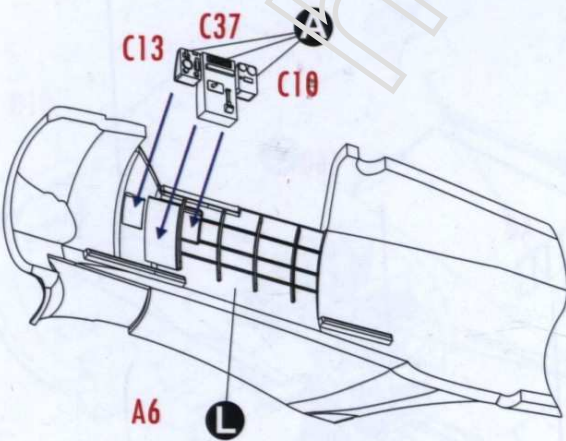
3



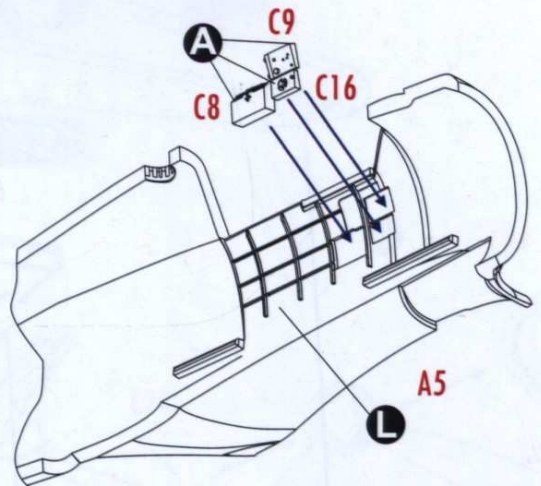
4



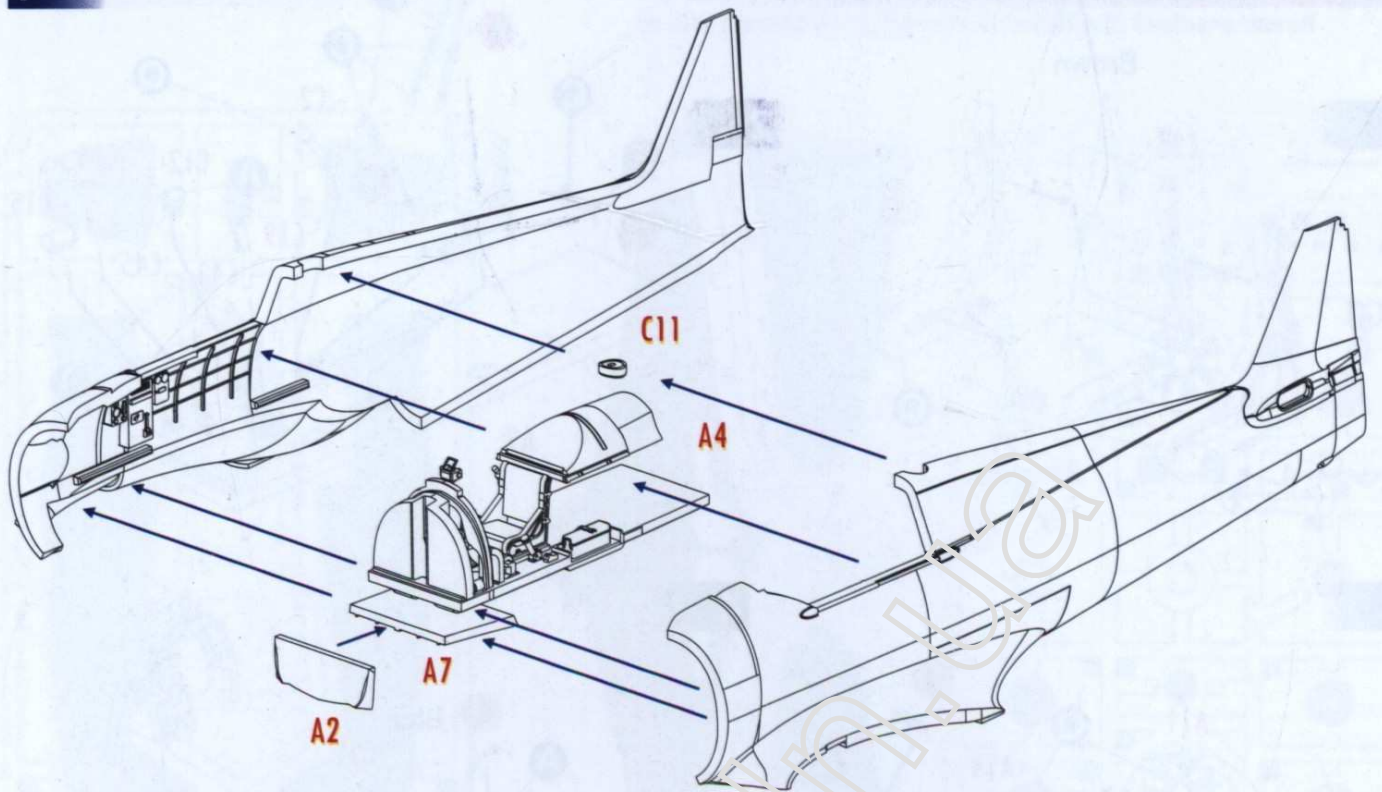
5



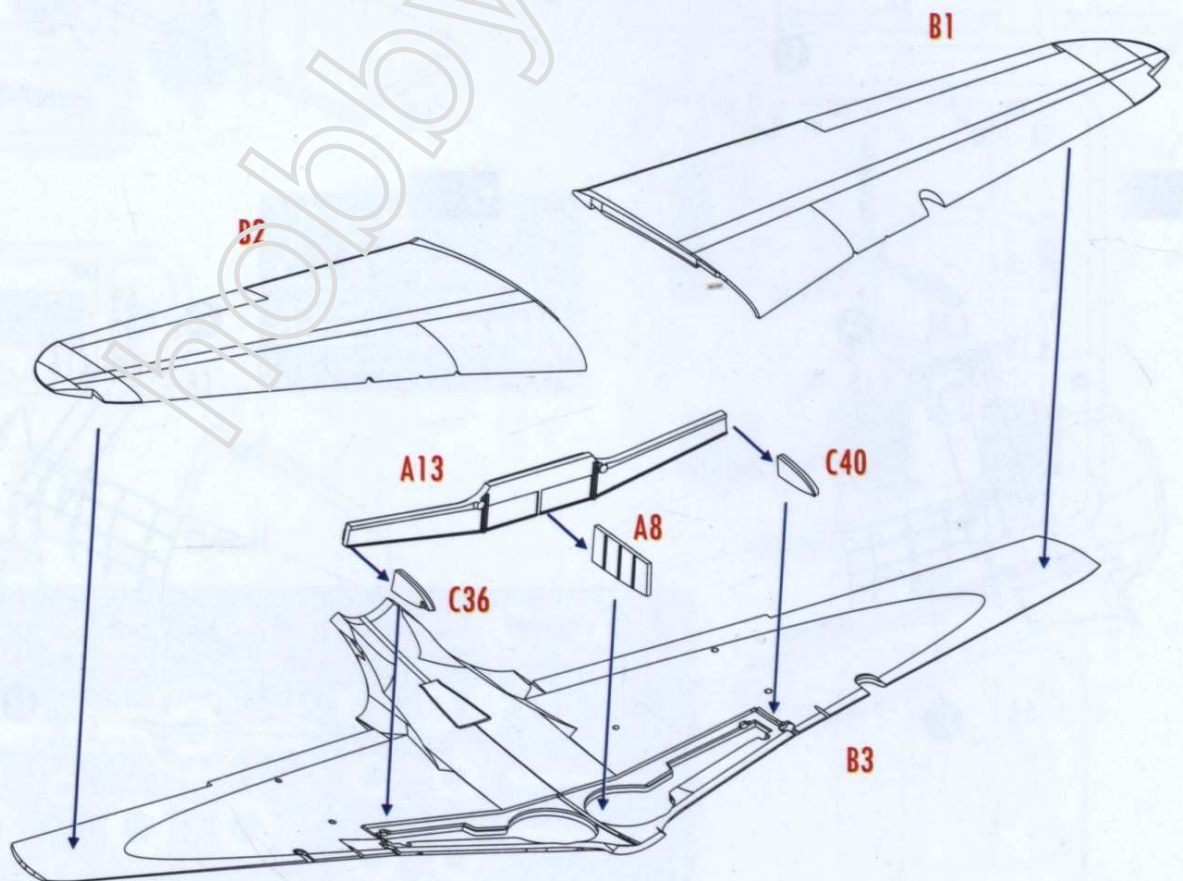
6



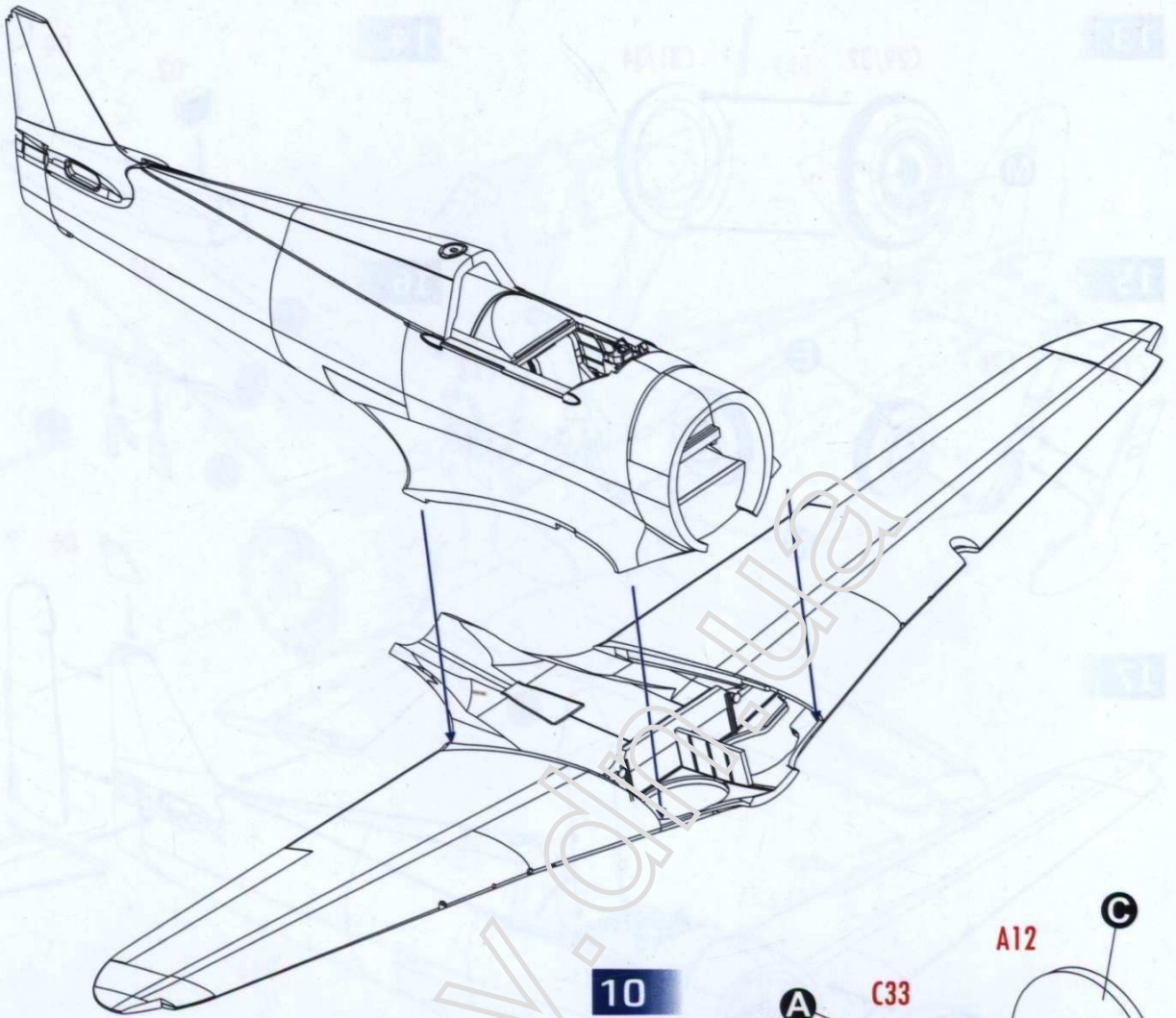
7



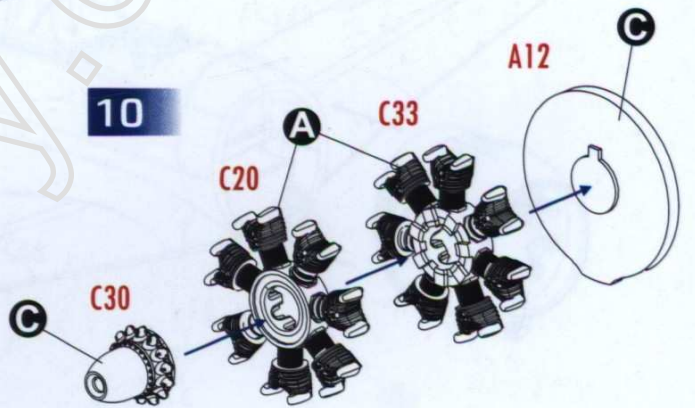
8



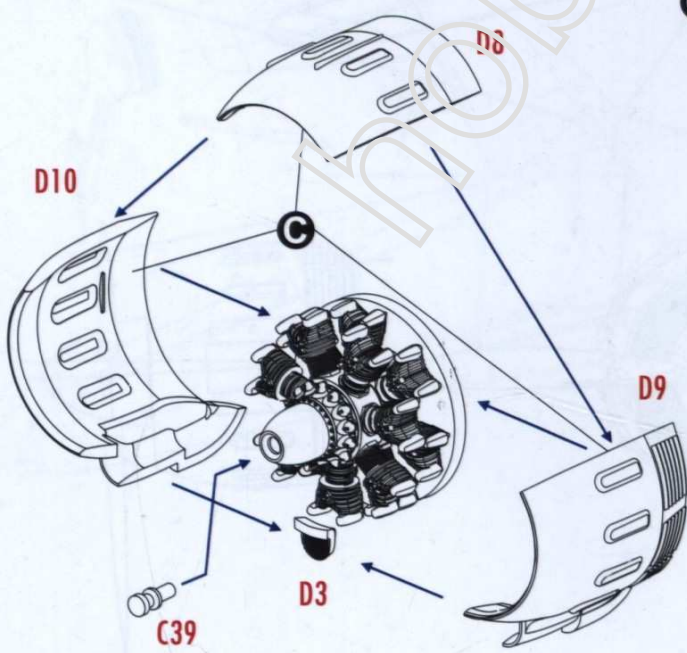
9



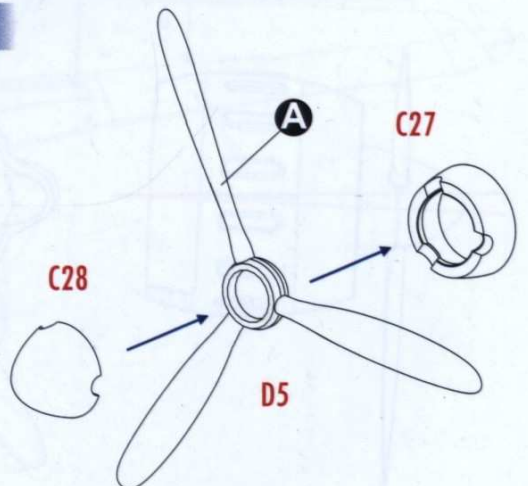
10



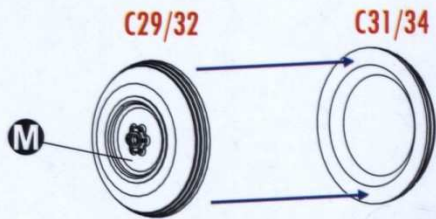
11



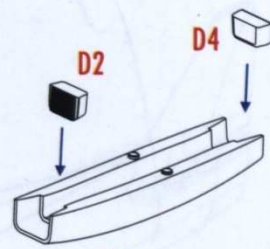
12



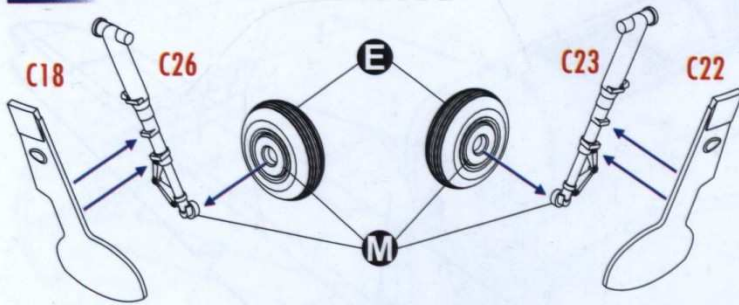
13



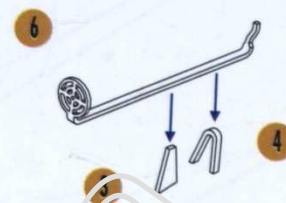
14



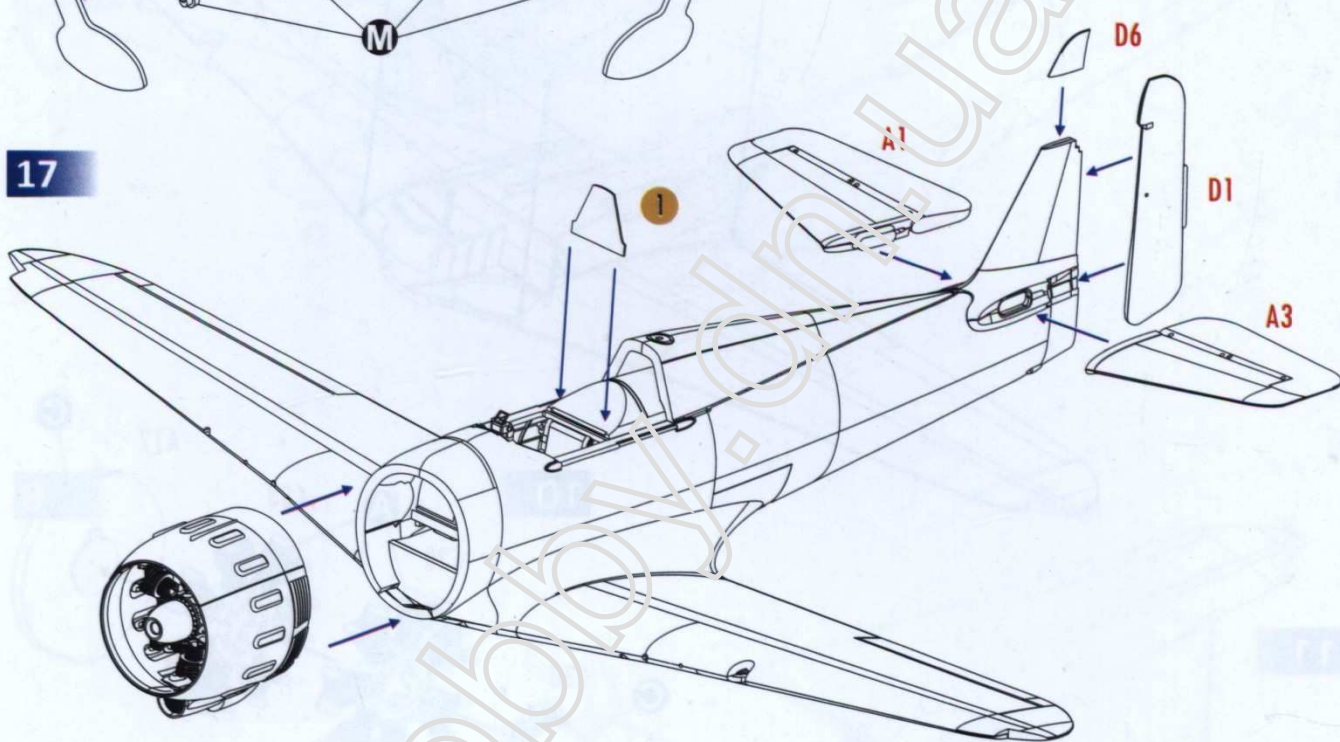
15



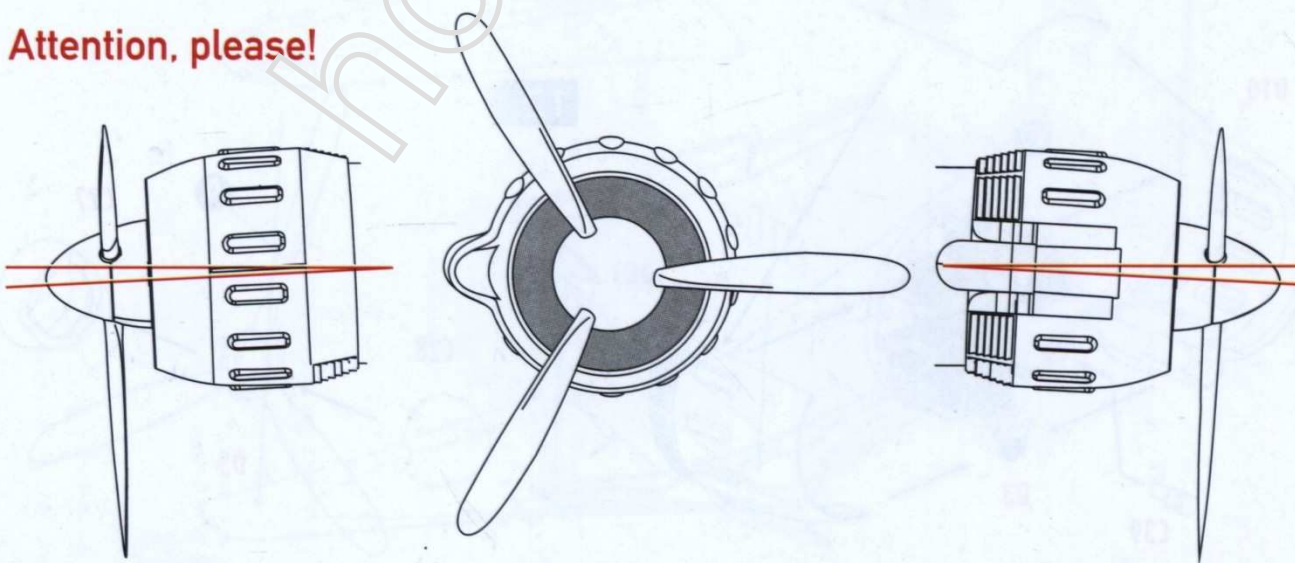
16



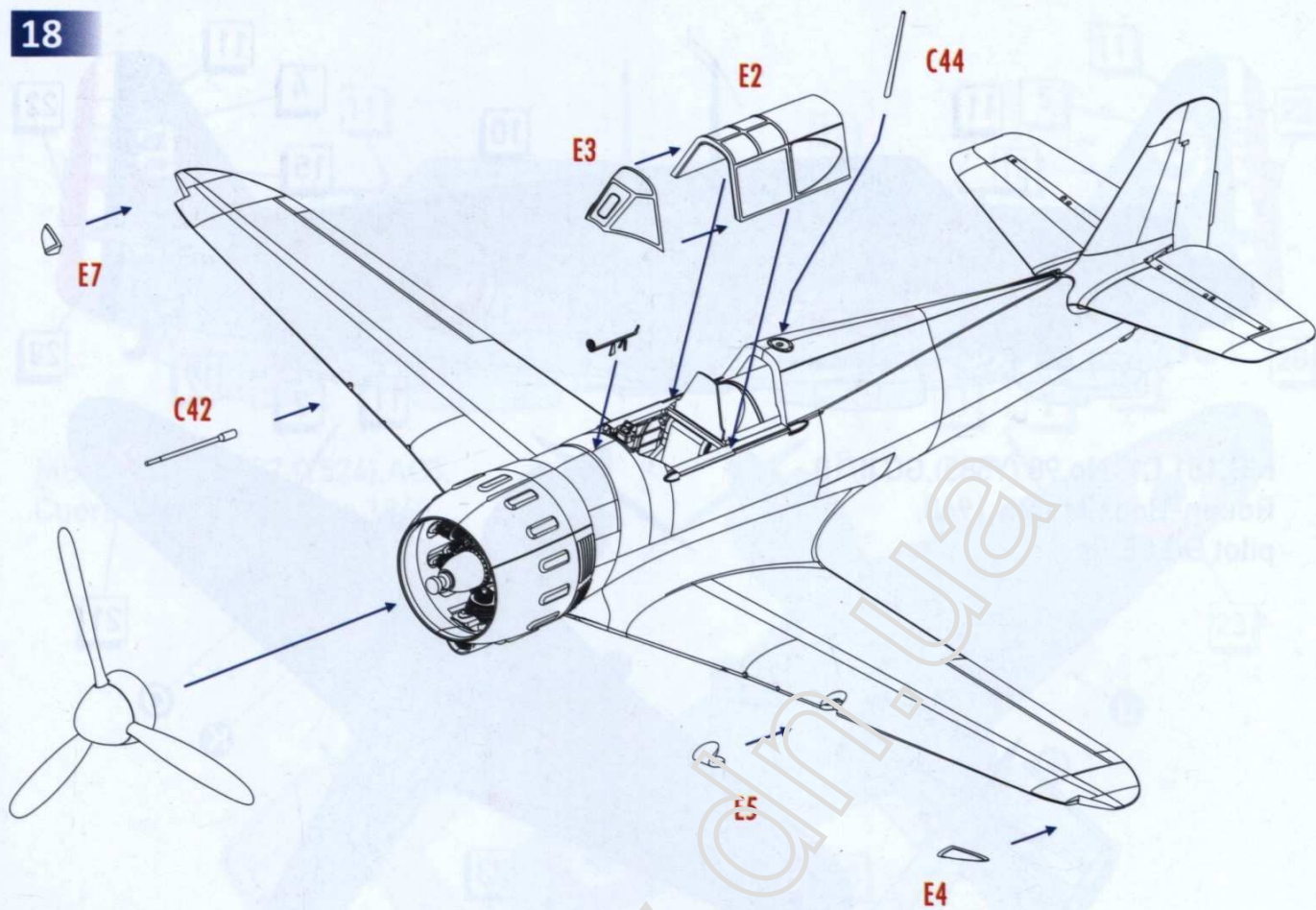
17



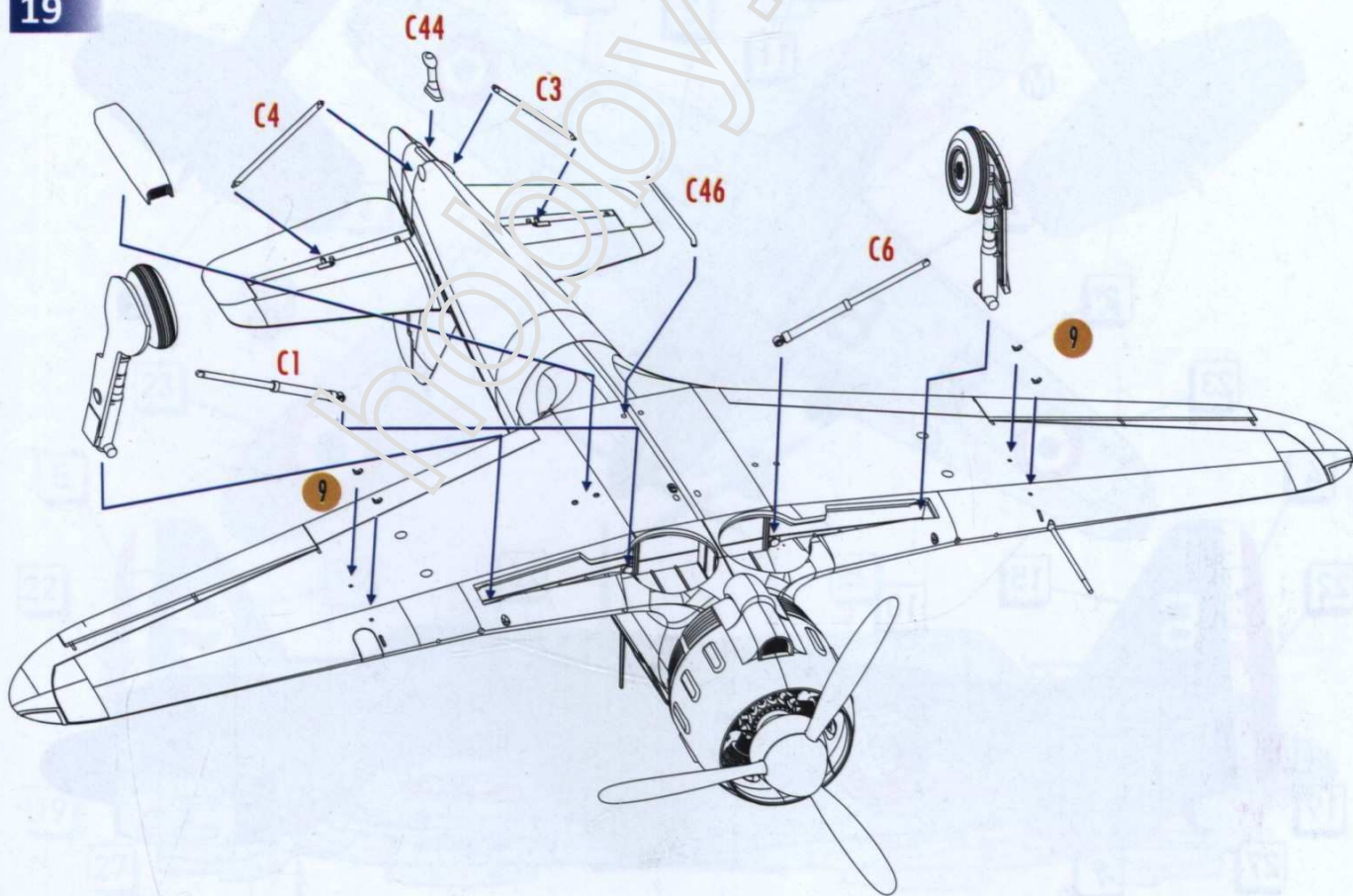
Attention, please!

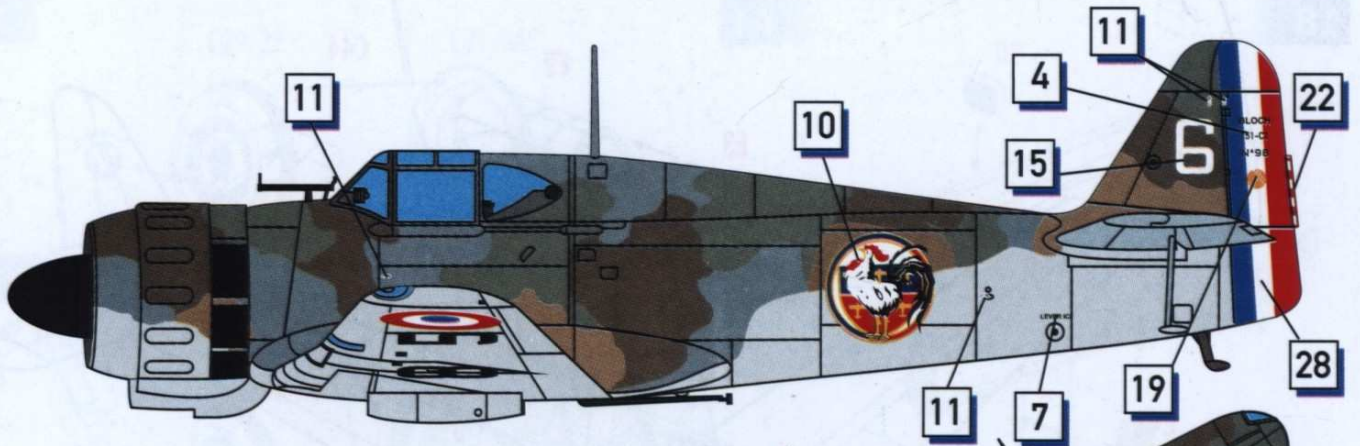


18

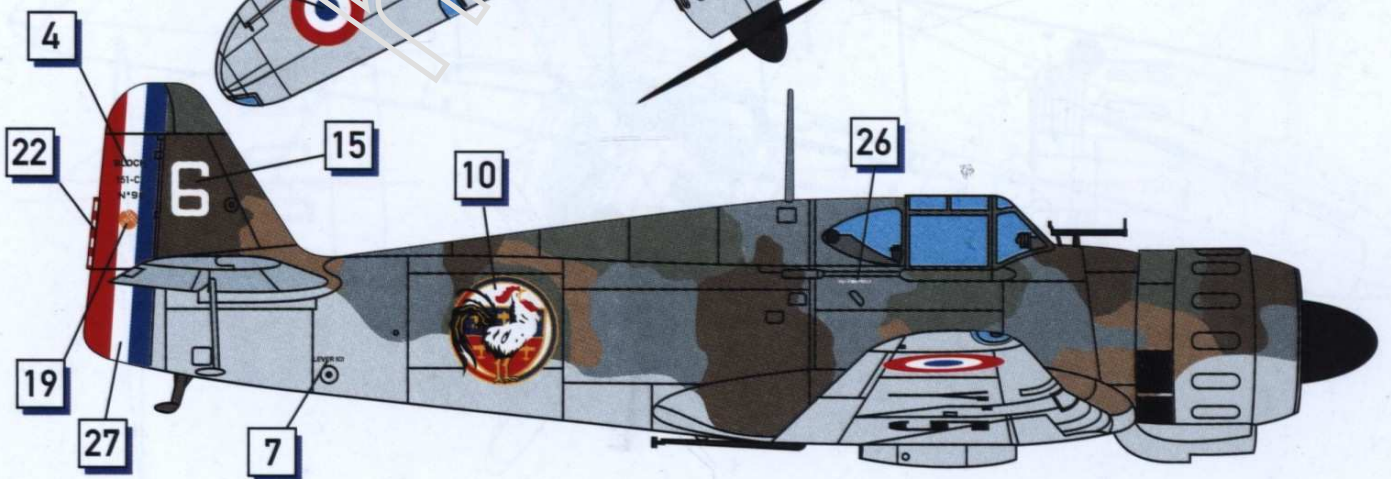
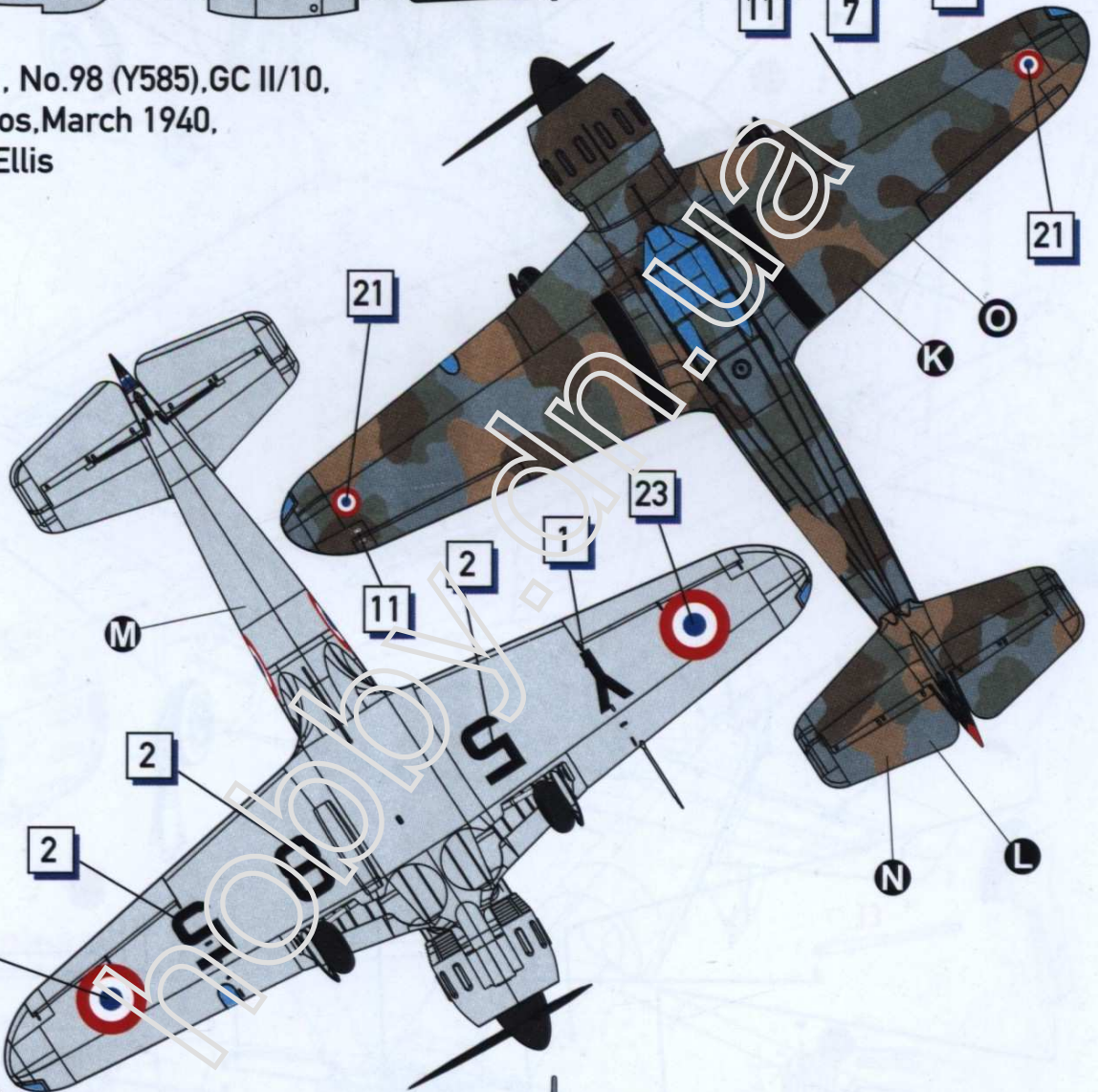


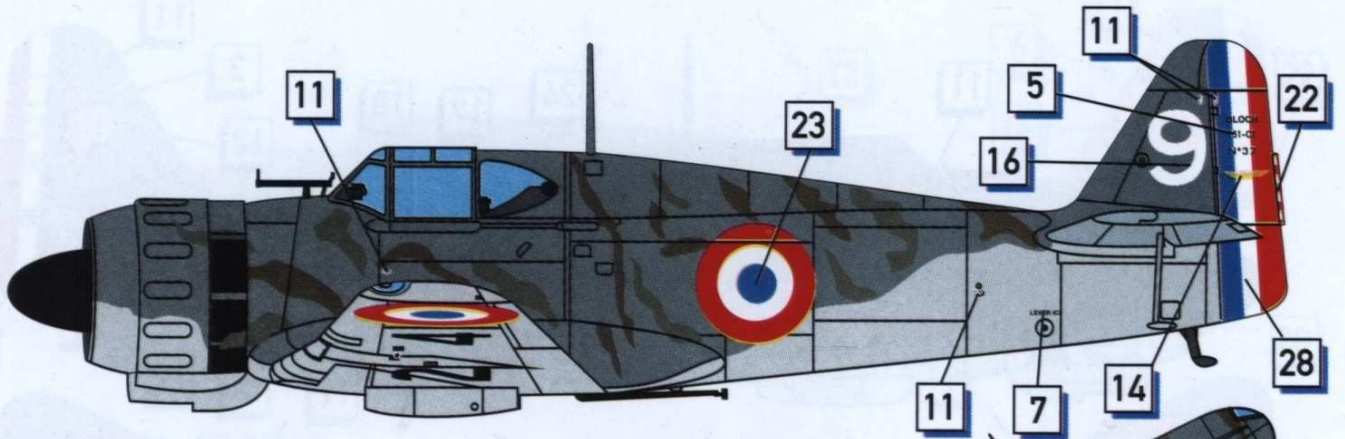
19



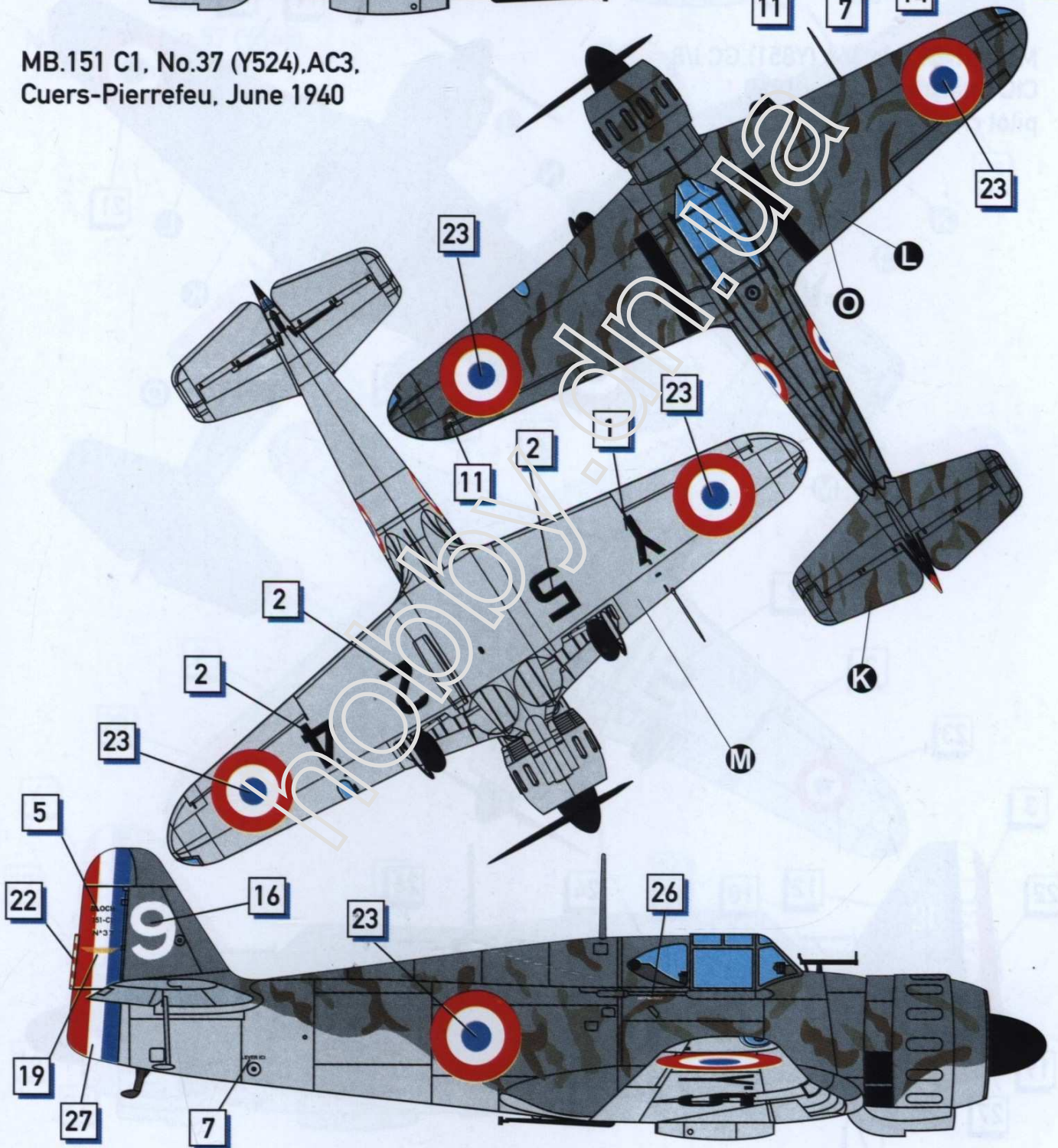


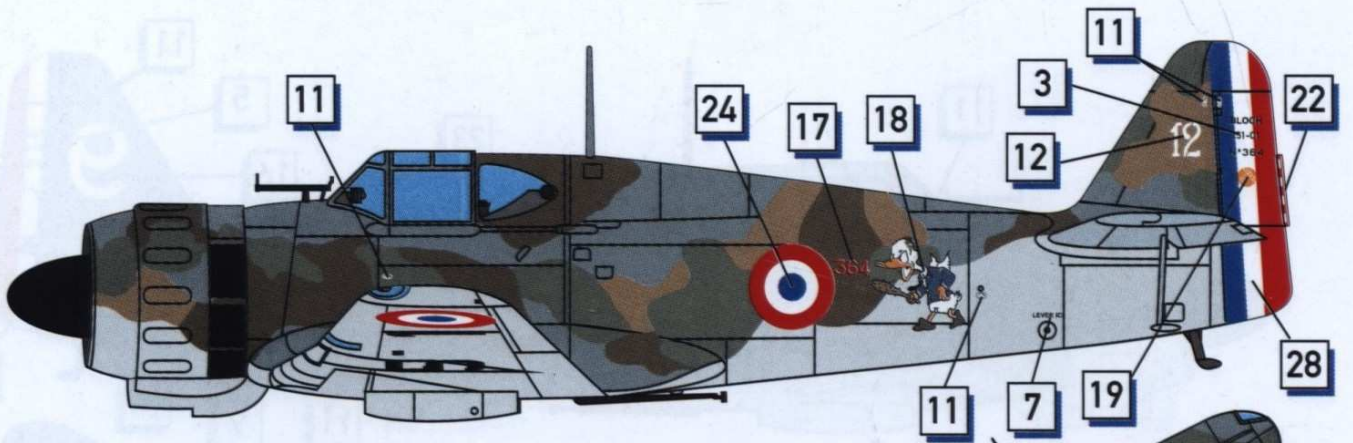
MB.151 C1, No.98 (Y585),GC II/10,
Rouen-Boos, March 1940,
pilot S/Lt Ellis



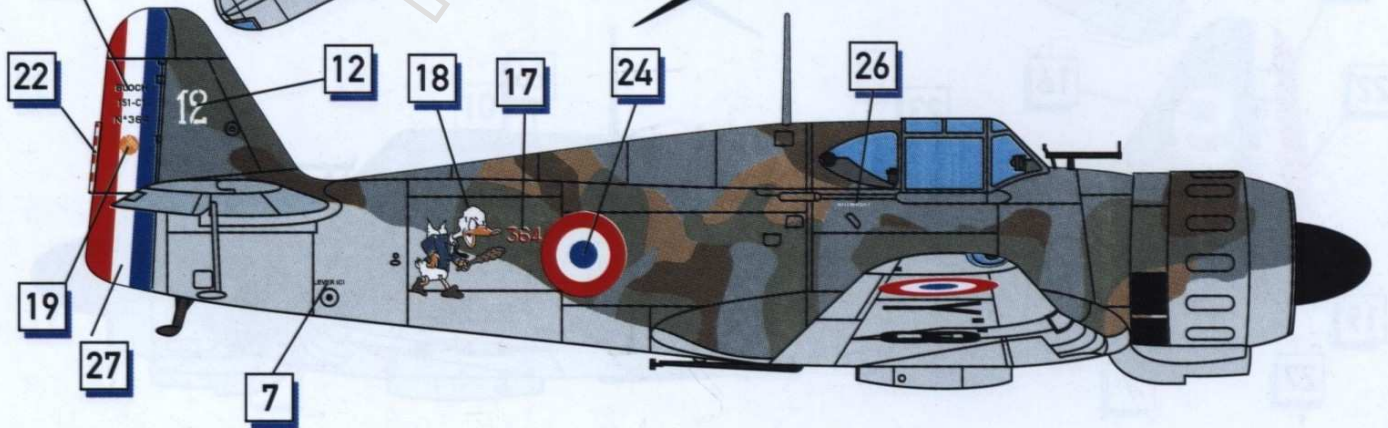
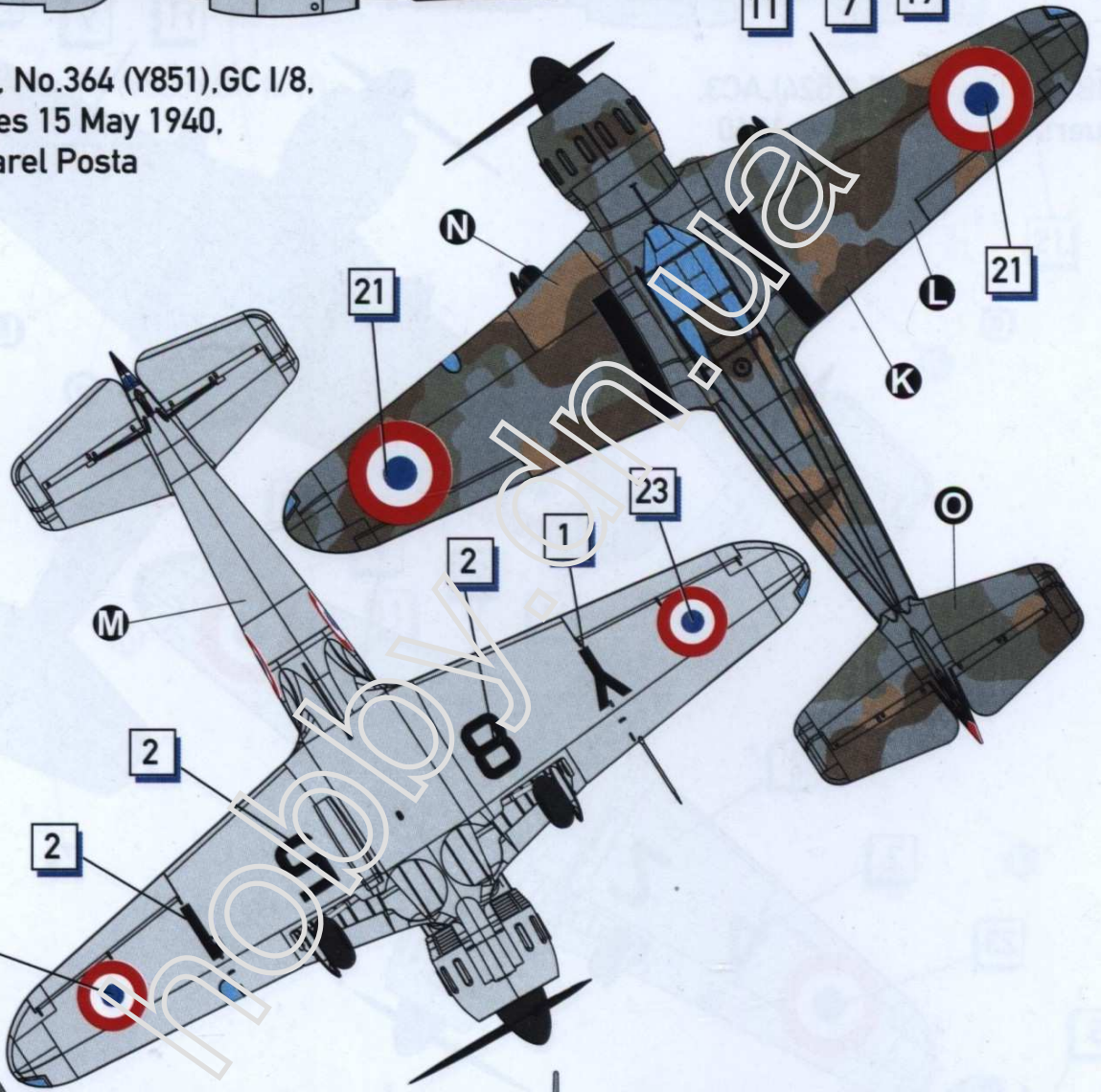


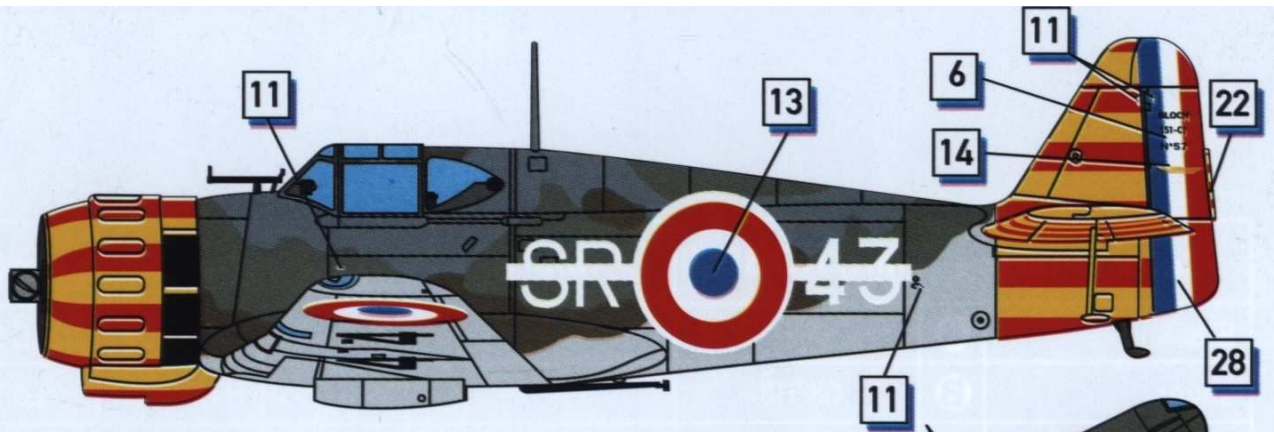
MB.151 C1, No.37 (Y524),AC3,
Cuers-Pierrefeu, June 1940



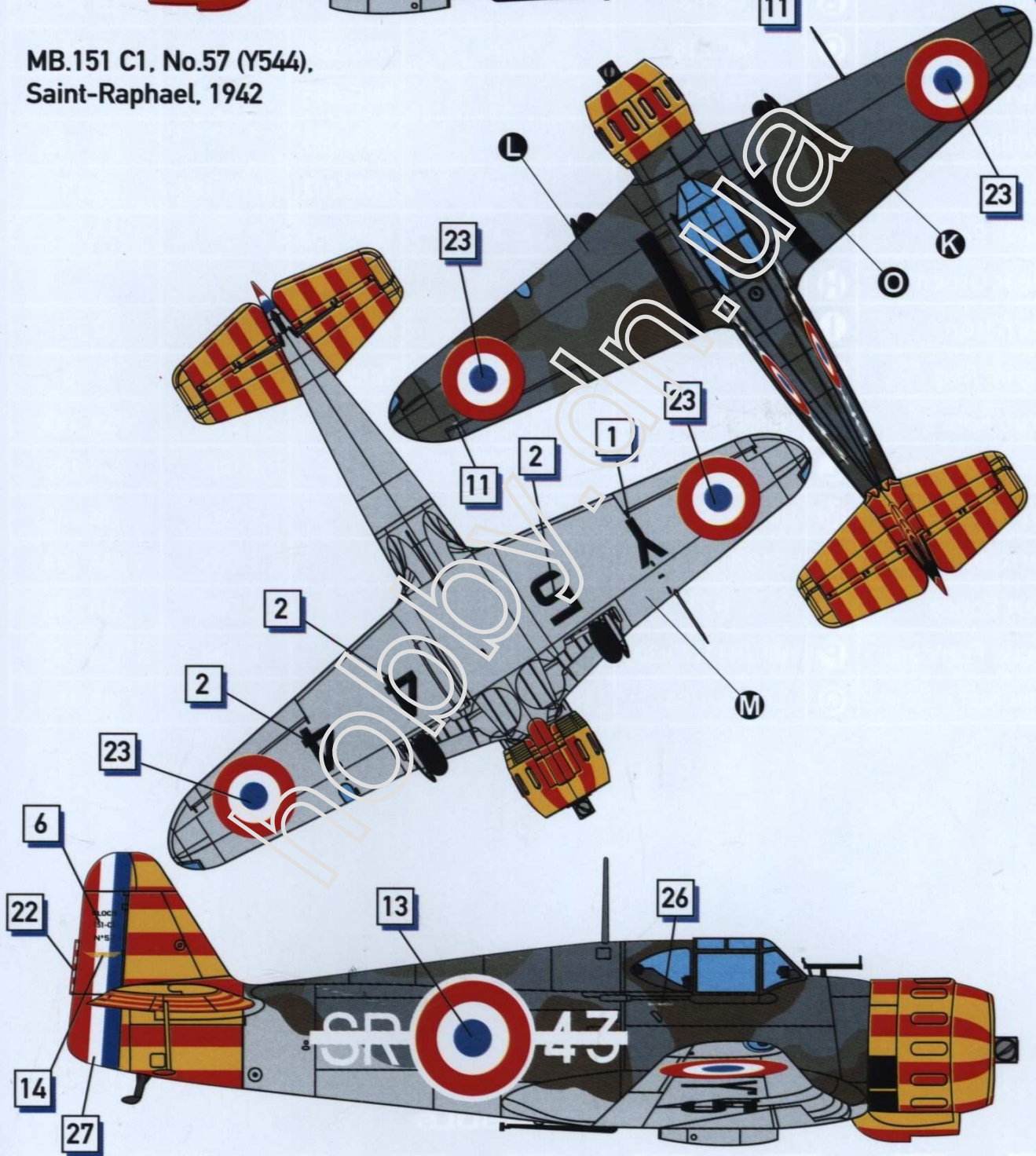


MB.151 C1, No.364 (Y851),GC I/8,
CIC Chartres 15 May 1940,
pilot c/c Karel Posta





MB.151 C1, No.57 (Y544),
Saint-Raphael, 1942



COLOR TABLE

Color Chart	MR. HOBBY	Tamiya	AMMO MIG	Hataka	LIFECOLOR
Black	A C33/H12	XF-1	MIG 046	HTK 100	LC 02
Silver	B C8/H8	X-32	MIG 195	HTK B003	LC 74
Aluminium	C MC 218	XF-16	MIG 194	HTK 078	LC 24
Gun Metal	D C78/H28	X-10	MIG 045	HTK 106	LC 26
Rubber Black	E C137/H77	XF-85	MIG 035		UA 733
Tan	F C44/H27	XF-55	MIG 102	HTK 187	LC 15
Clear Red	G C47/H90	XF-27	MIG 098		
Clear Green	H C138/H94	XF-25	MIG 032		
Burn Iron	I C61/H76	XF-25	MIG 187		LC 37
Signal Red	J C79/H11	XF-2	MIG 049	HTK-103	LC 56
Brun Fonce	K H84/H17 (50:50)	XF-52+XF-10+XF-2 (5:5:1)		C 079	UA 143
Gris Bleu Fonce	L H56/H11 (50:50)	XF-59+XF-52 (5:2)		C 082	UA 141
Gris Bleu Clair	M H67/H11 (50:50)	XF-23+XF-2 (5:2)		C 083	UA 145
Terre de Sienne	N H318/H11(50:50)	XF-59+XF-52 (6:1)		C 081	UA 144
Vert Fonce	O H73	XF-71+XF-4 (5:1)		C 080	UA 146
Khaki Francais	P H80/H11(70:30)	XF-44+XF-2 (5:2)		C 084	UA 142
Bleu Nuit Interieur	Q C366/H56	XF-18	MIG 228	HTK 027	UA 45

USED SYMBOLS



CEMENT



DON'T CEMENT



REMOVE



SYMMETRICAL



MULTIPLE



BEND



OPEN WHOLE



VARIANTS



TO PAINT