



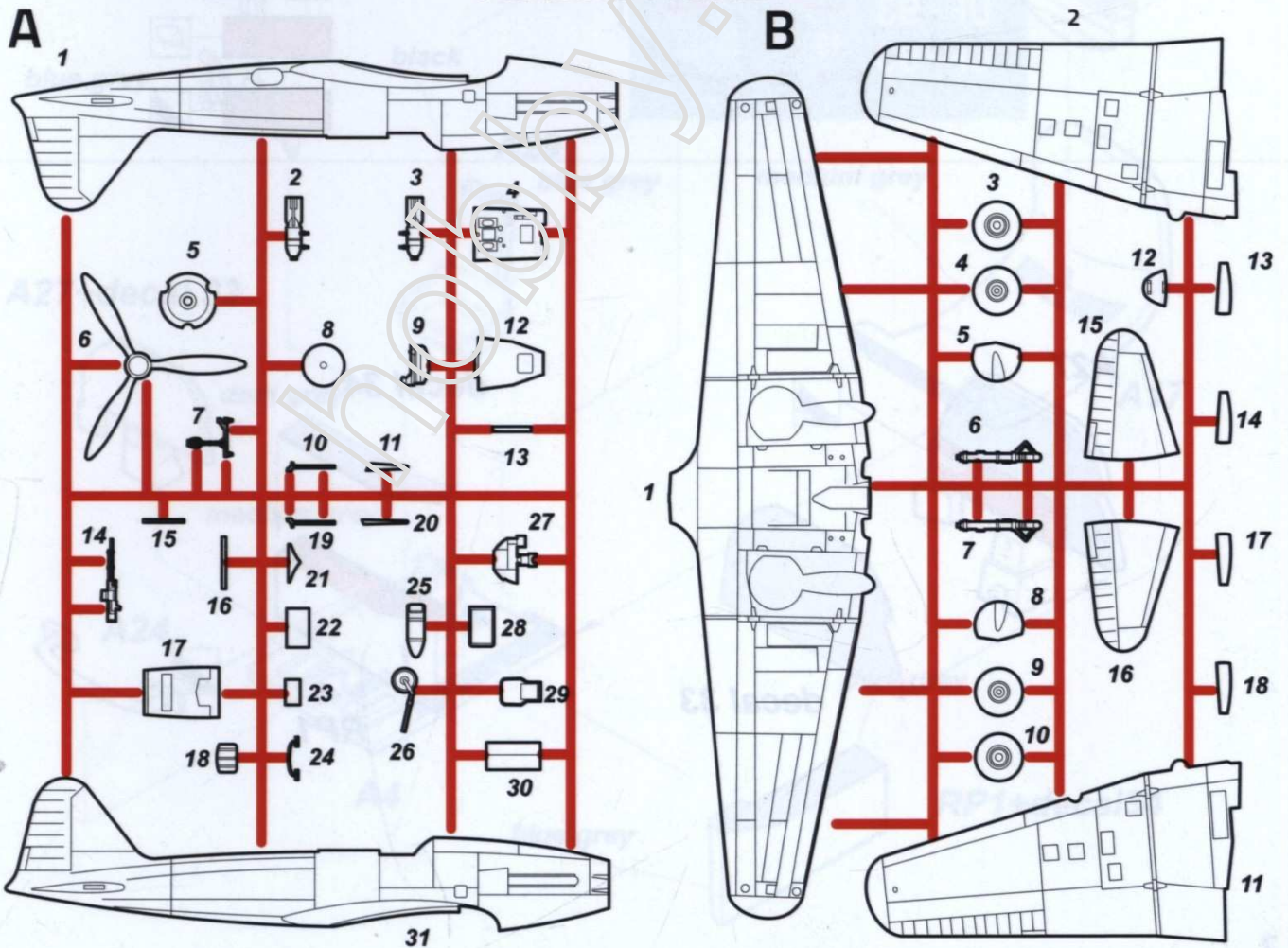
1/72

Plastic model kit
Plastik-Modellbausatz
Plastikový model

72037

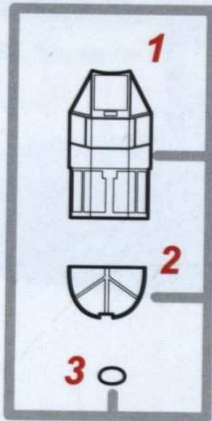
Soviet ground attack aircraft
Ilyushin Il-10
Post-war service

PLASTIC PARTS



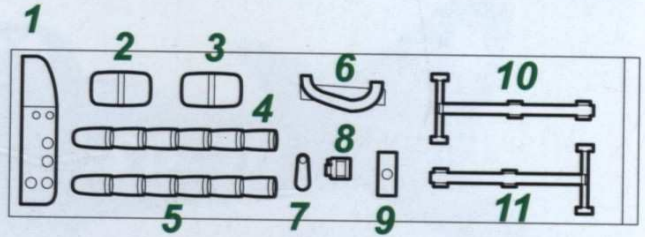
CLEAR PART

CP




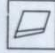



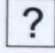
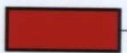

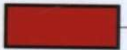

RESIN PART

RP

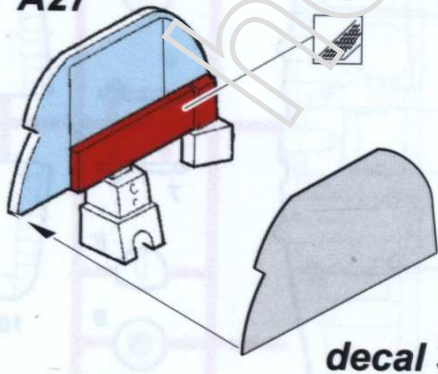


DECALS



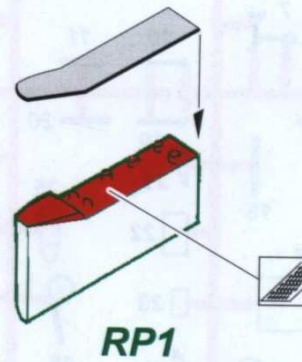
-  SYMMETRICAL ASSEMBLY
SYMETRICKÁ MONTÁŽ
-  REMOVE
ODSTRANIT
-  GRIND
OBROUSIT
-  DRILL HOLE
VRTAT OTVOR
-  BEND
OHNOUT
-  OPTION
VOLBA
-  
-  

A27

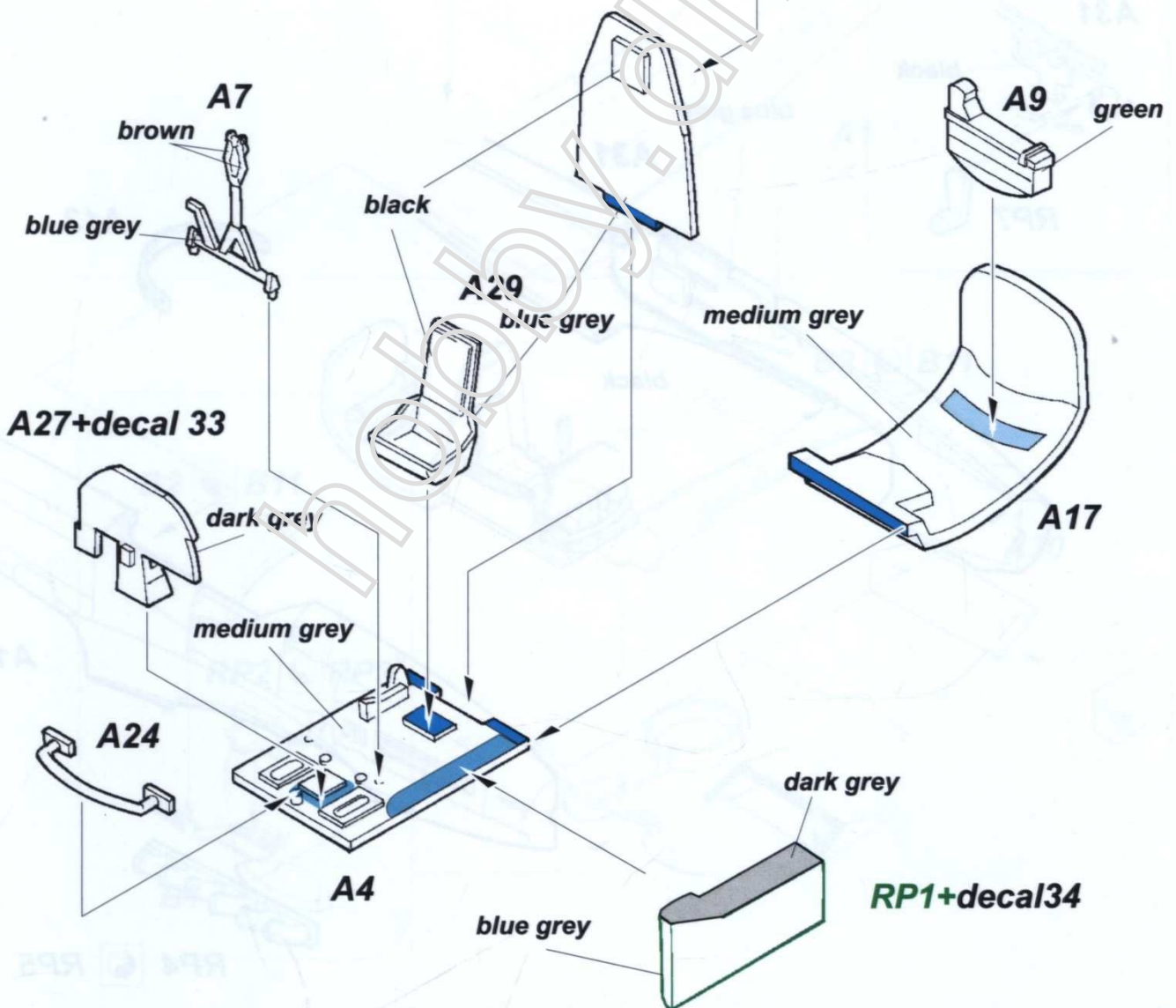
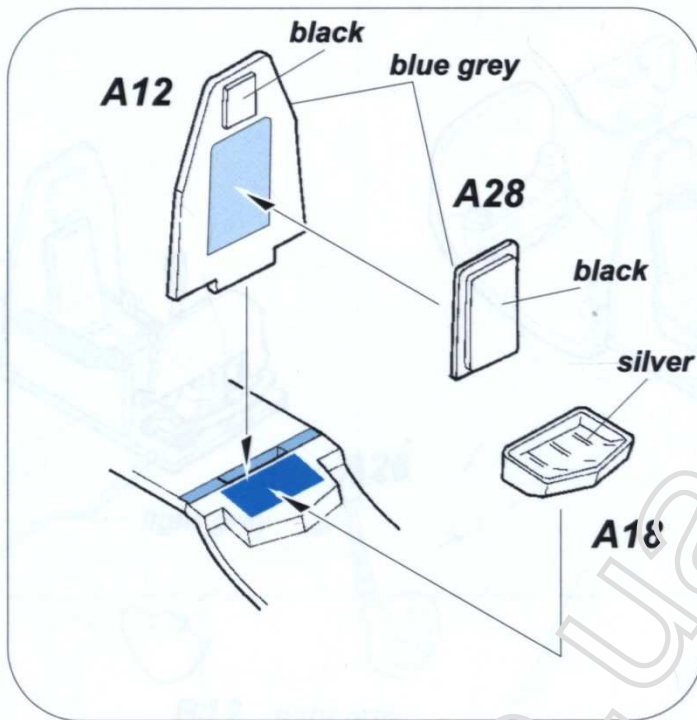


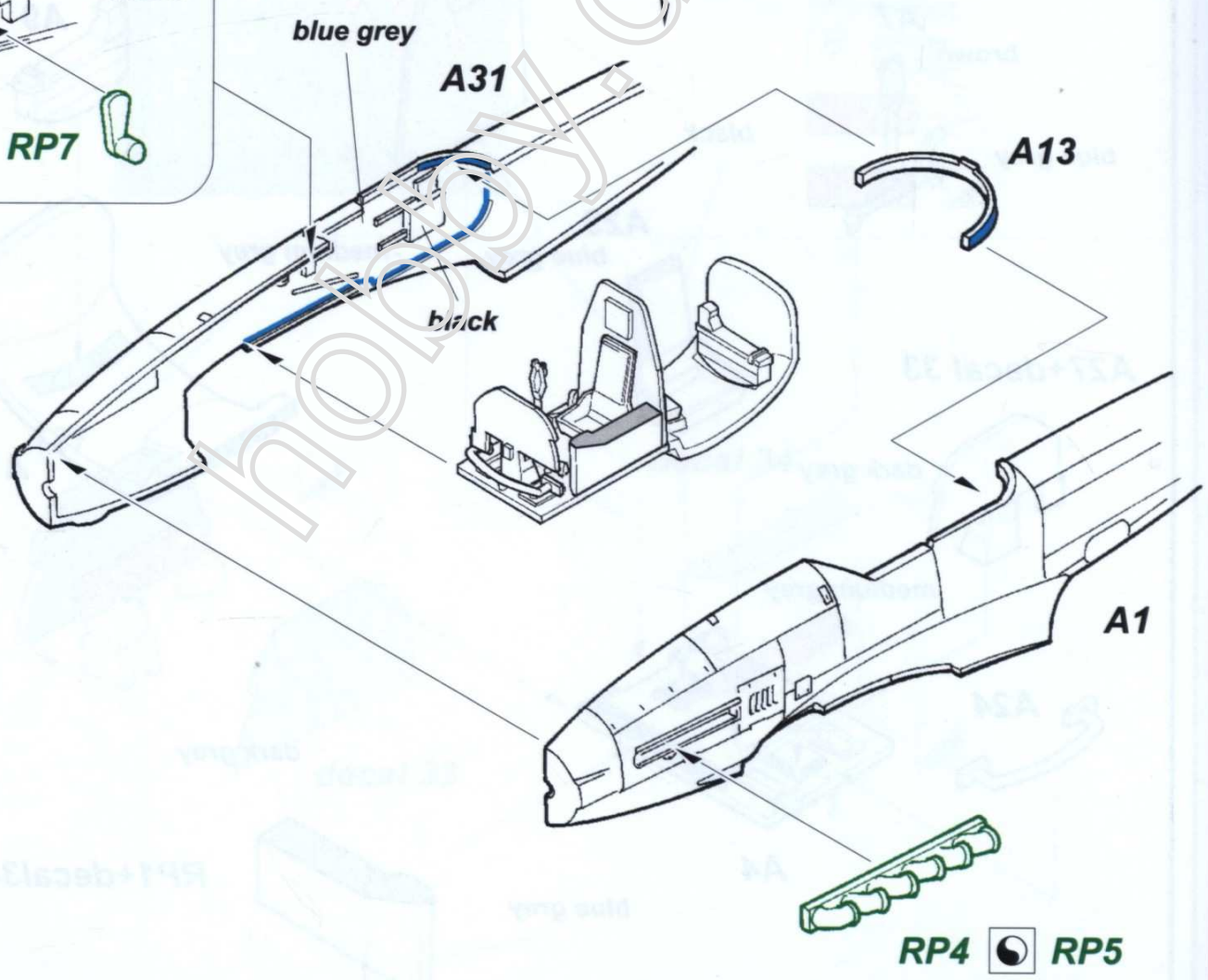
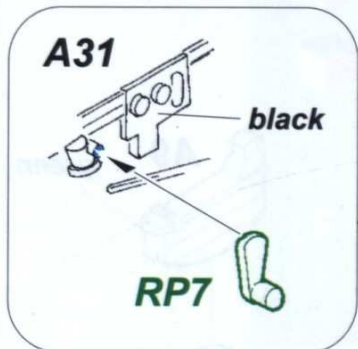
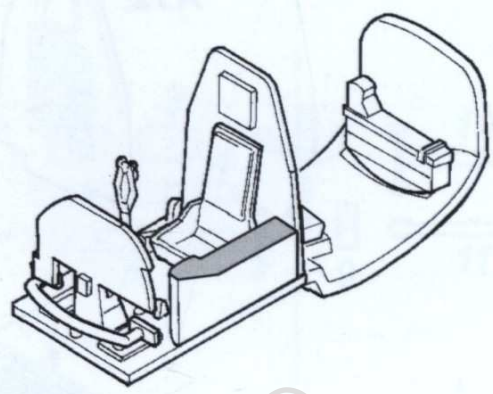
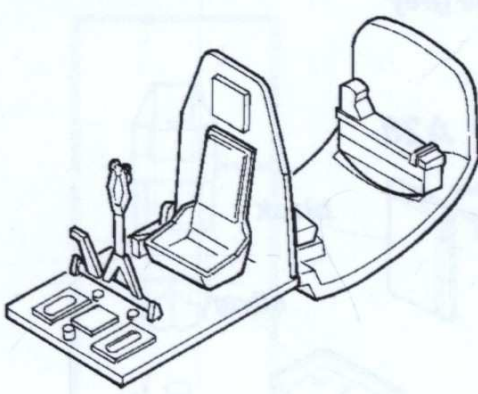
decal 33

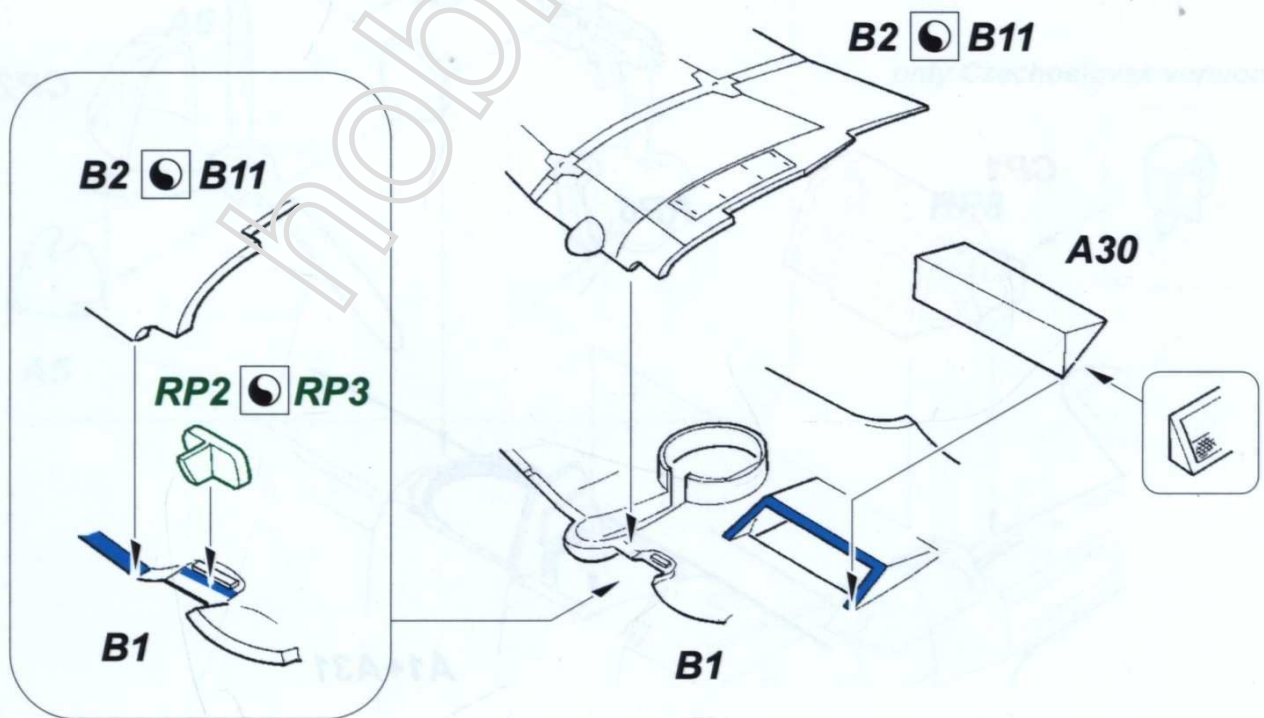
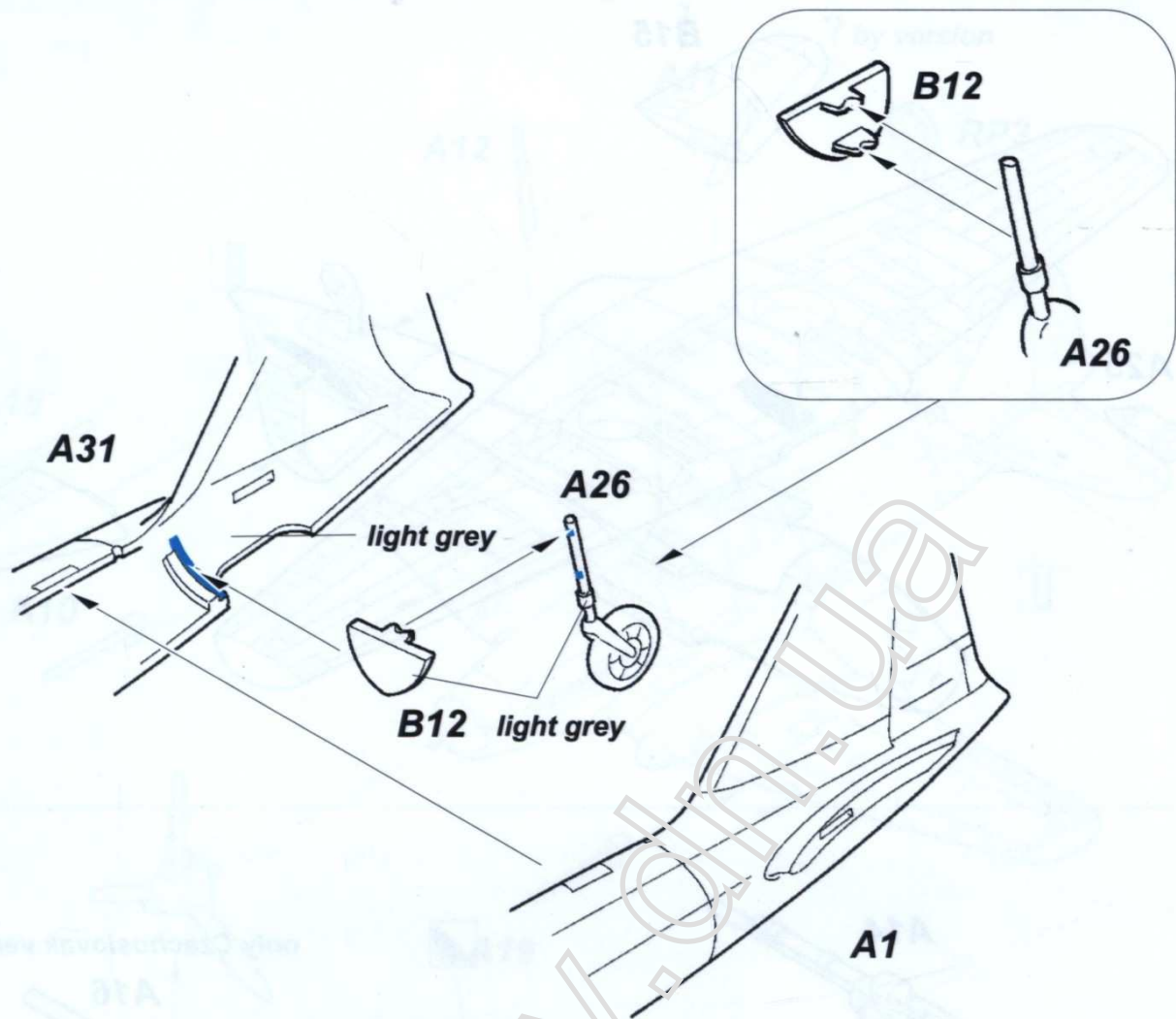
decal 34

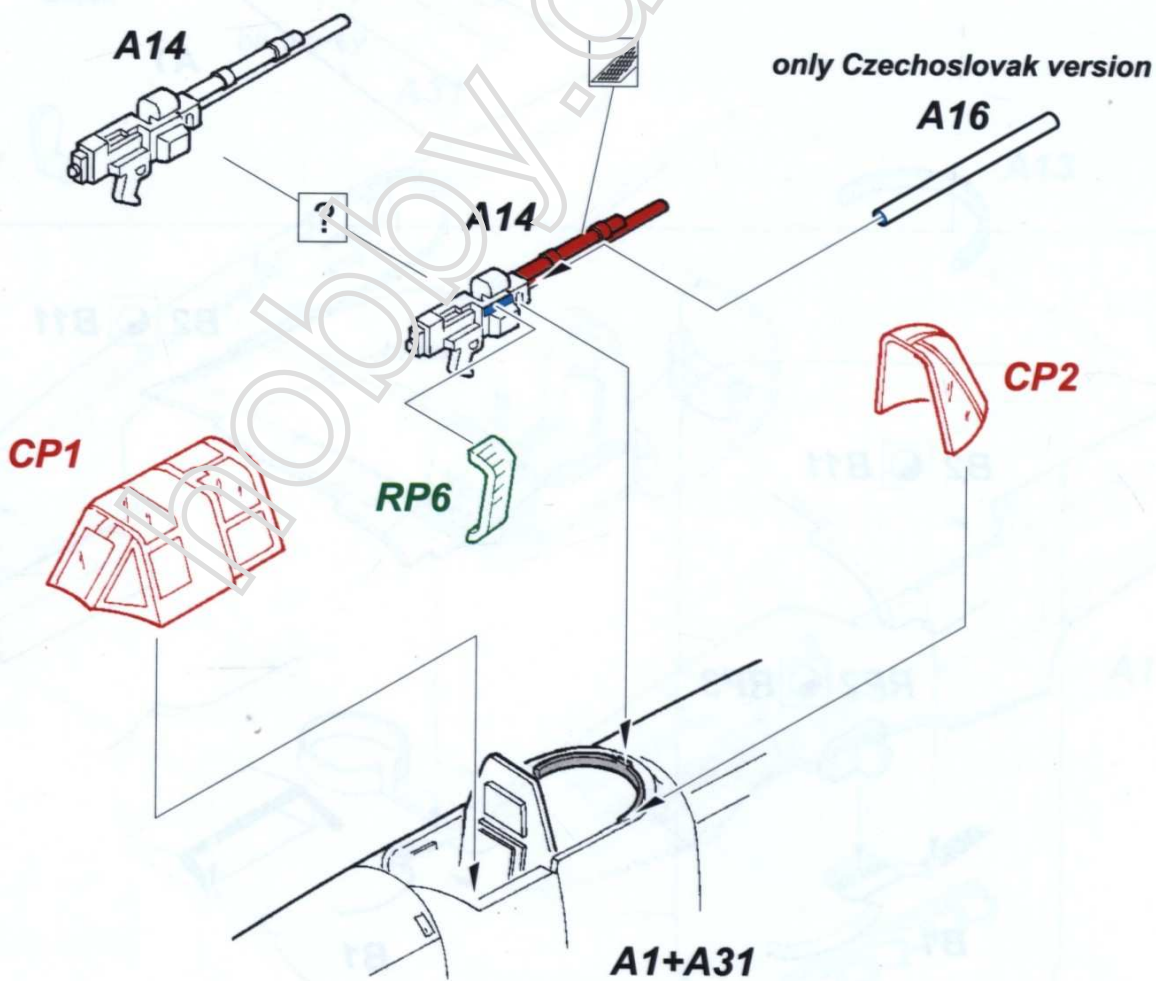
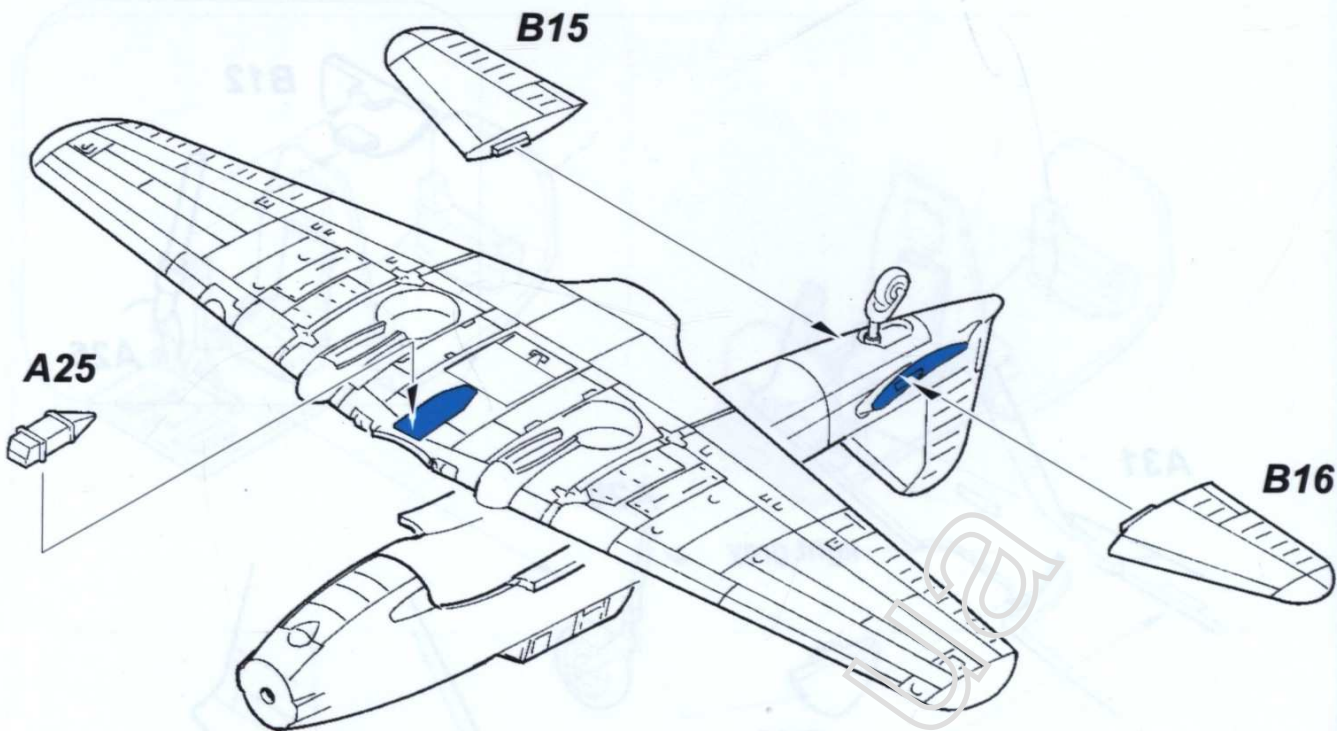


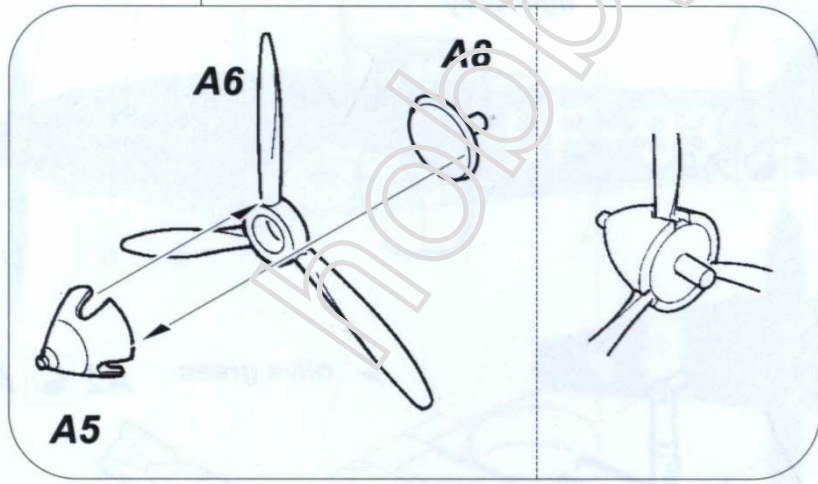
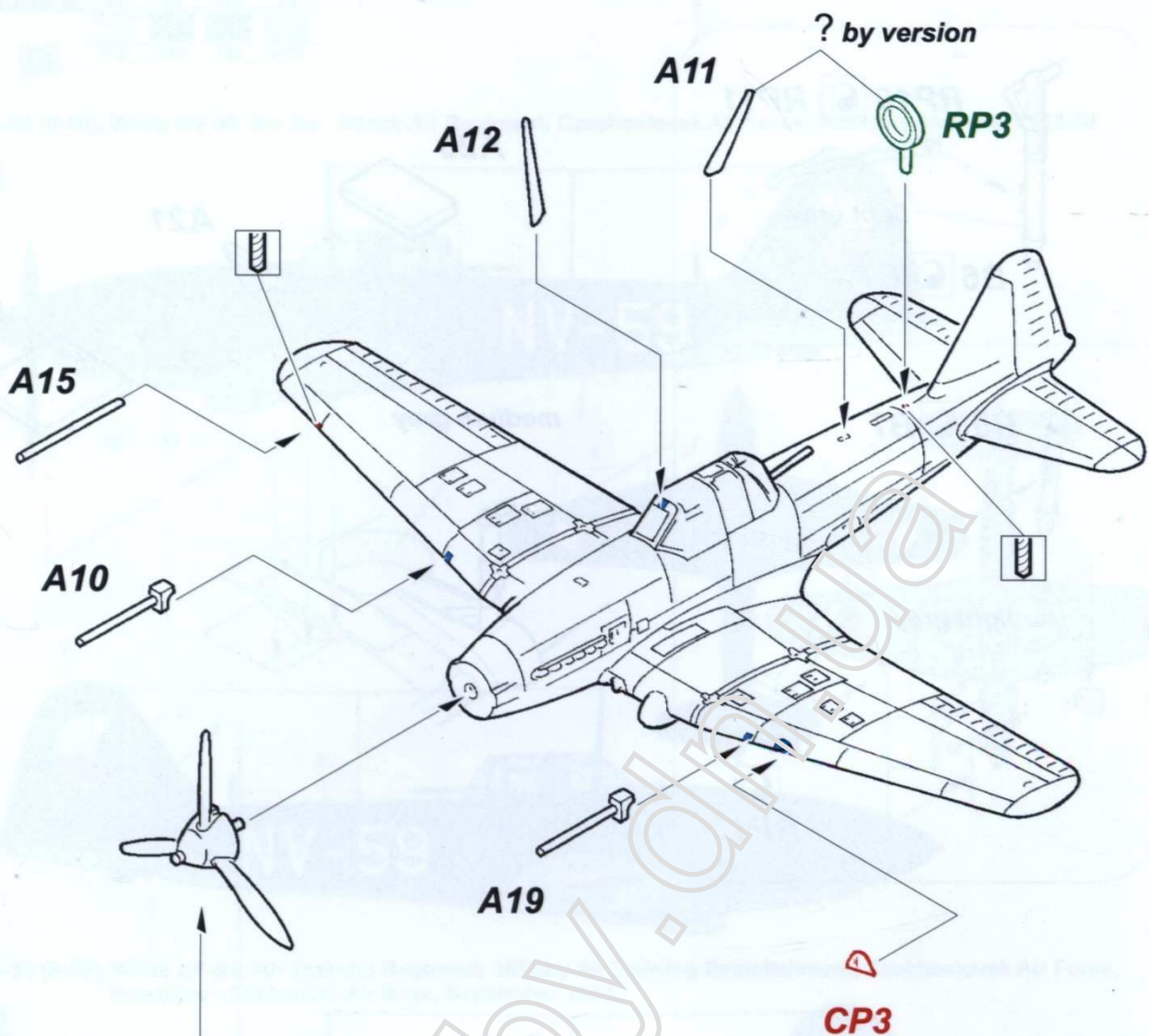
RP1



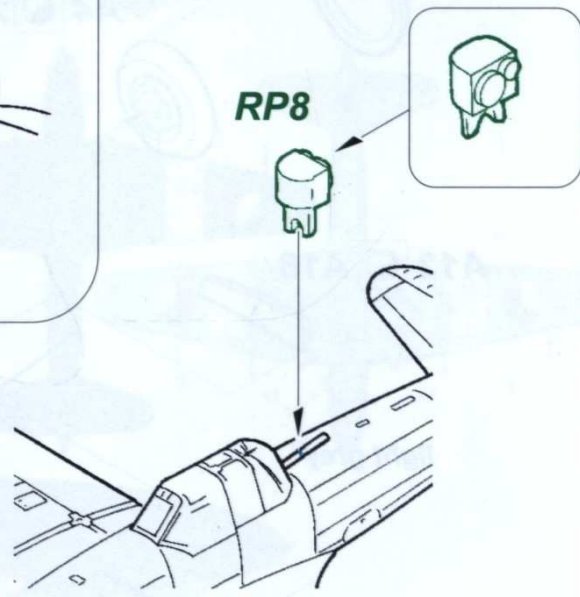


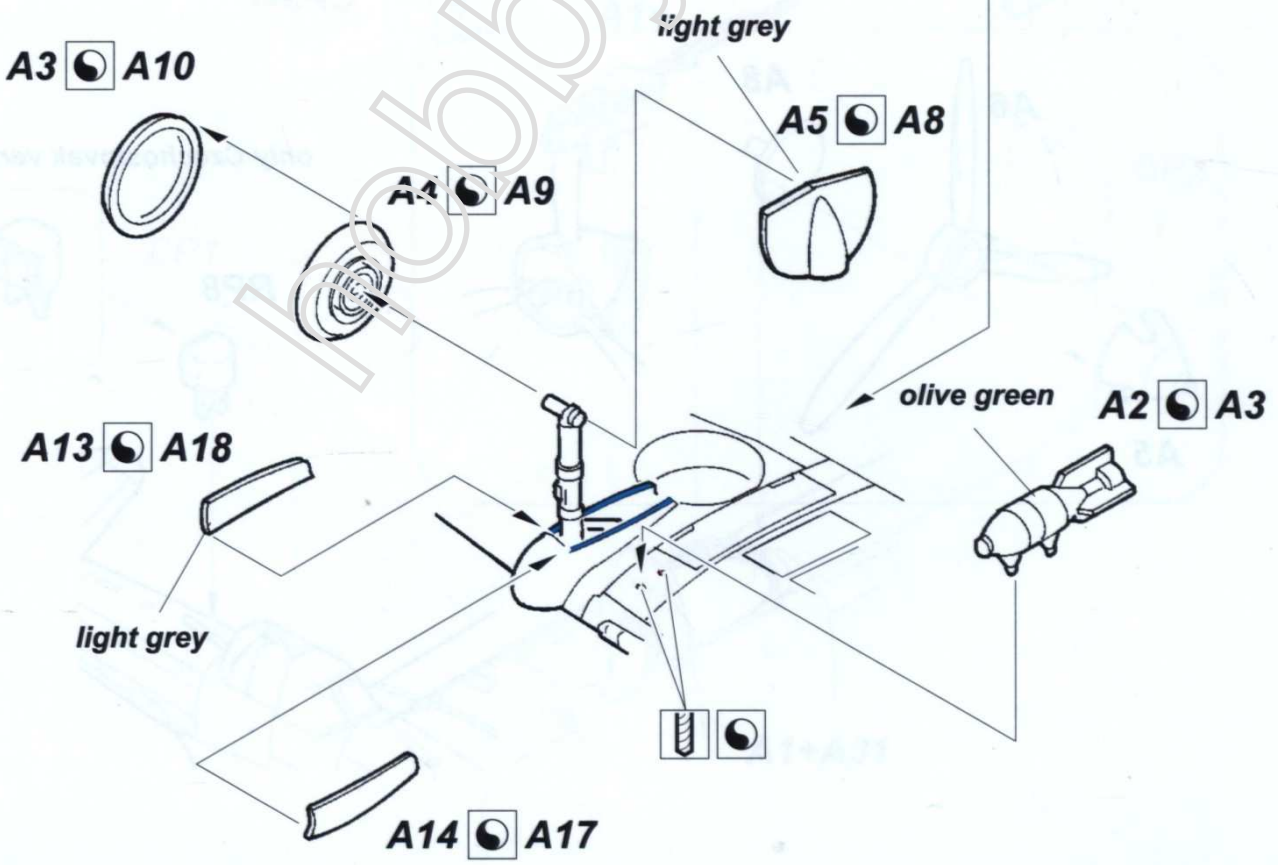
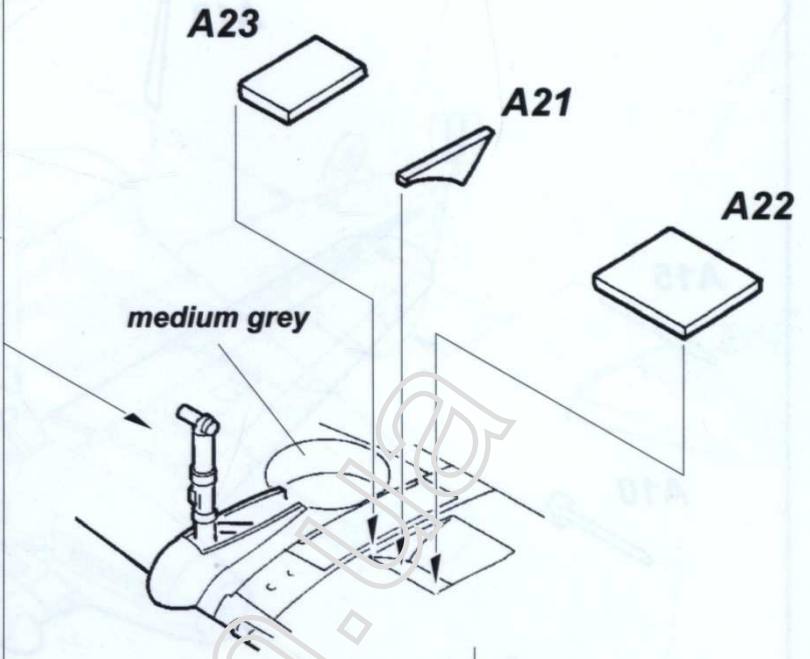
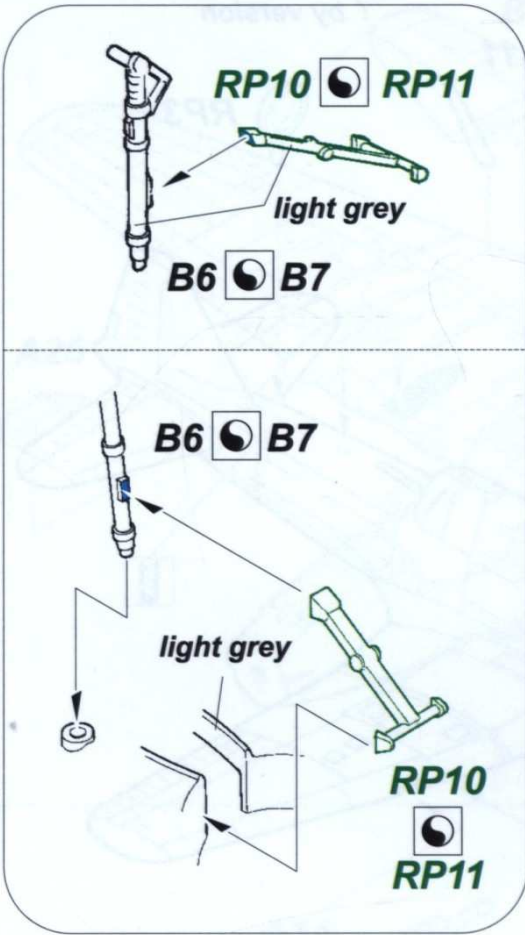











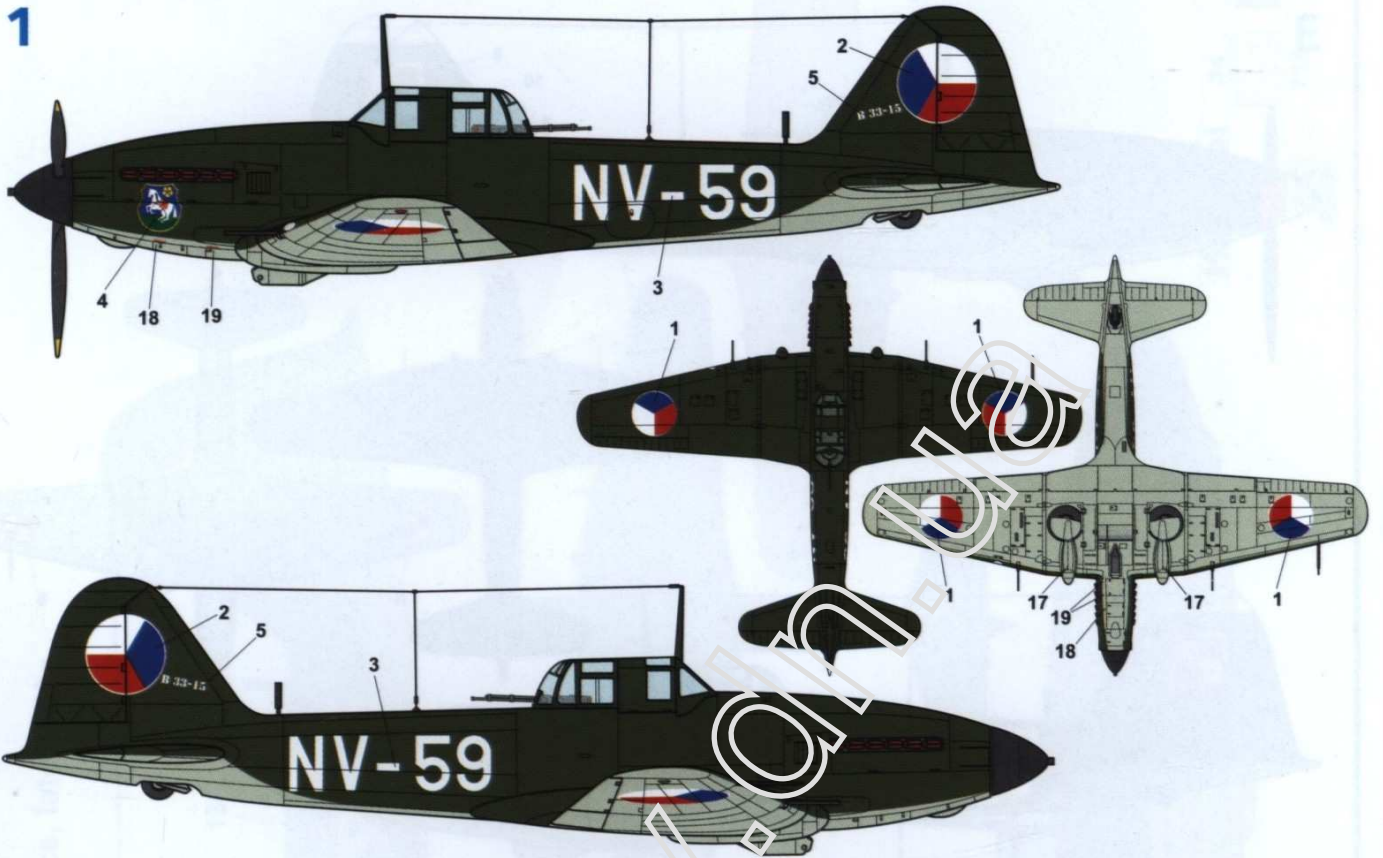
only Czechoslovak version



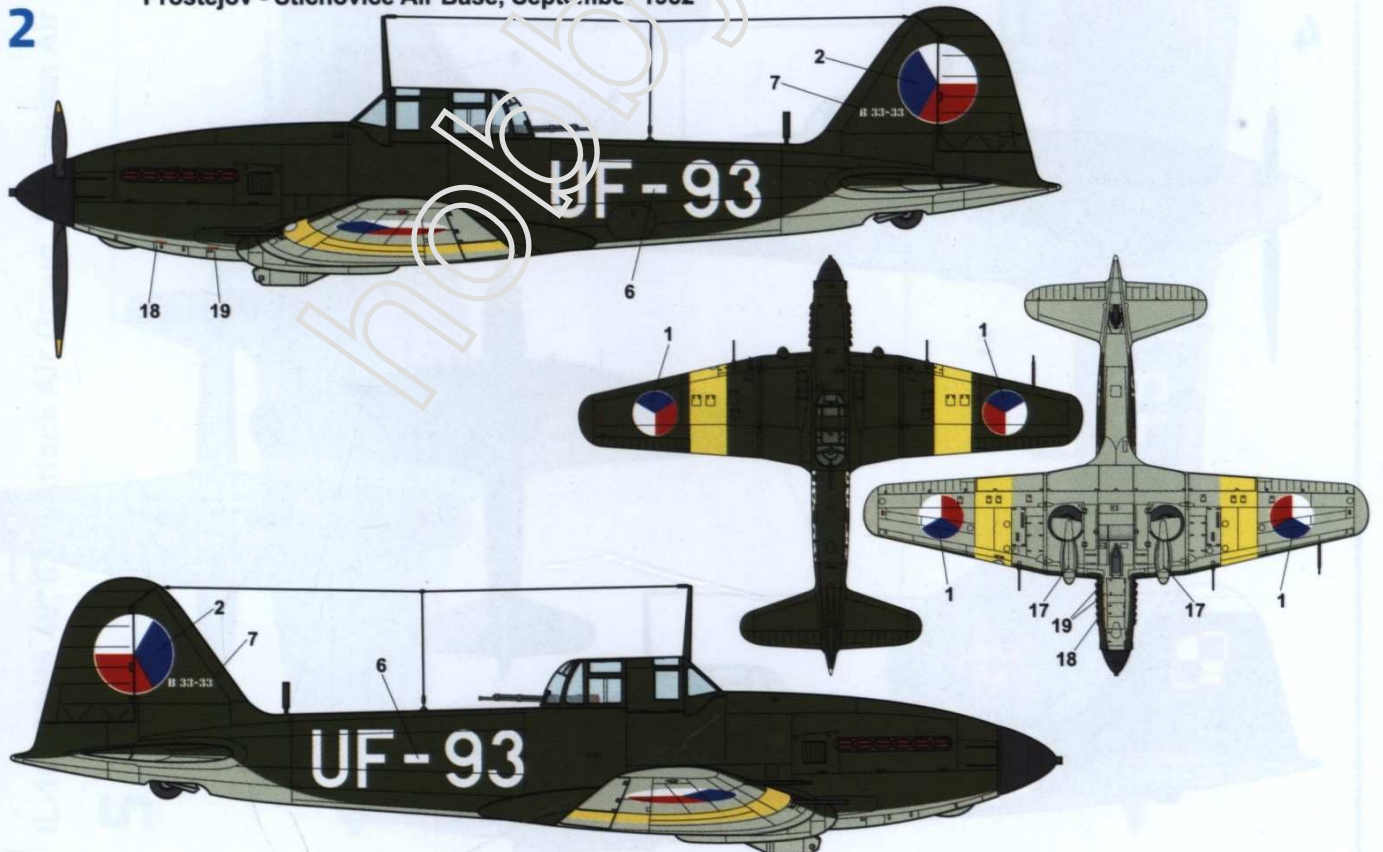


Humbrol	24	33	163	89
				
	715	735	132	2023

B-33 (II-10), White NV-59, 3rd Sq., Attack Air Regiment, Czechoslovak Air Force, Piešťany Air Base, 1953-58

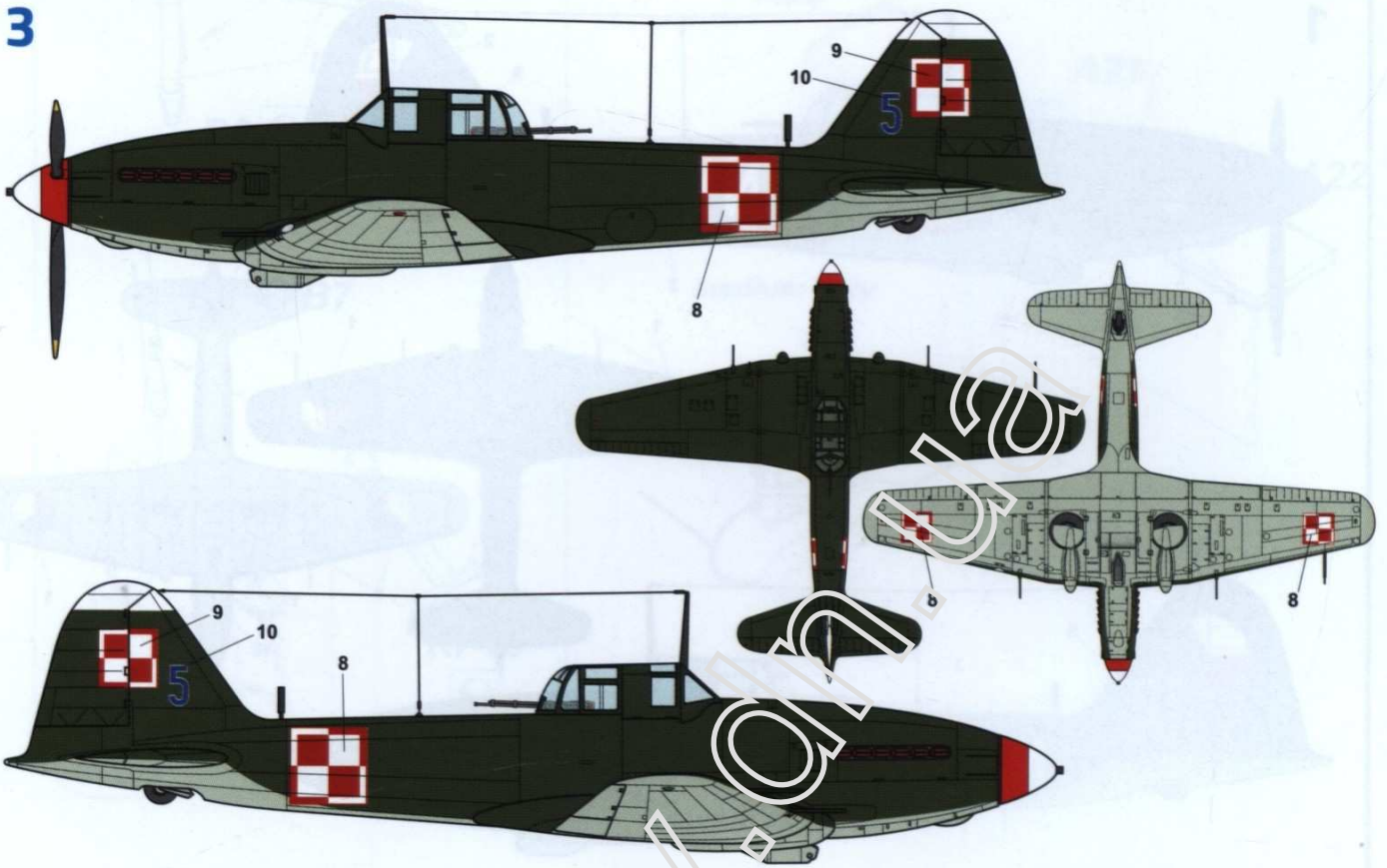


B-33 (II-10), White UF-93, 4th Training Regiment, Military Air Training Establishment, Czechoslovak Air Force, Prostějov - Stichovice Air Base, September 1952

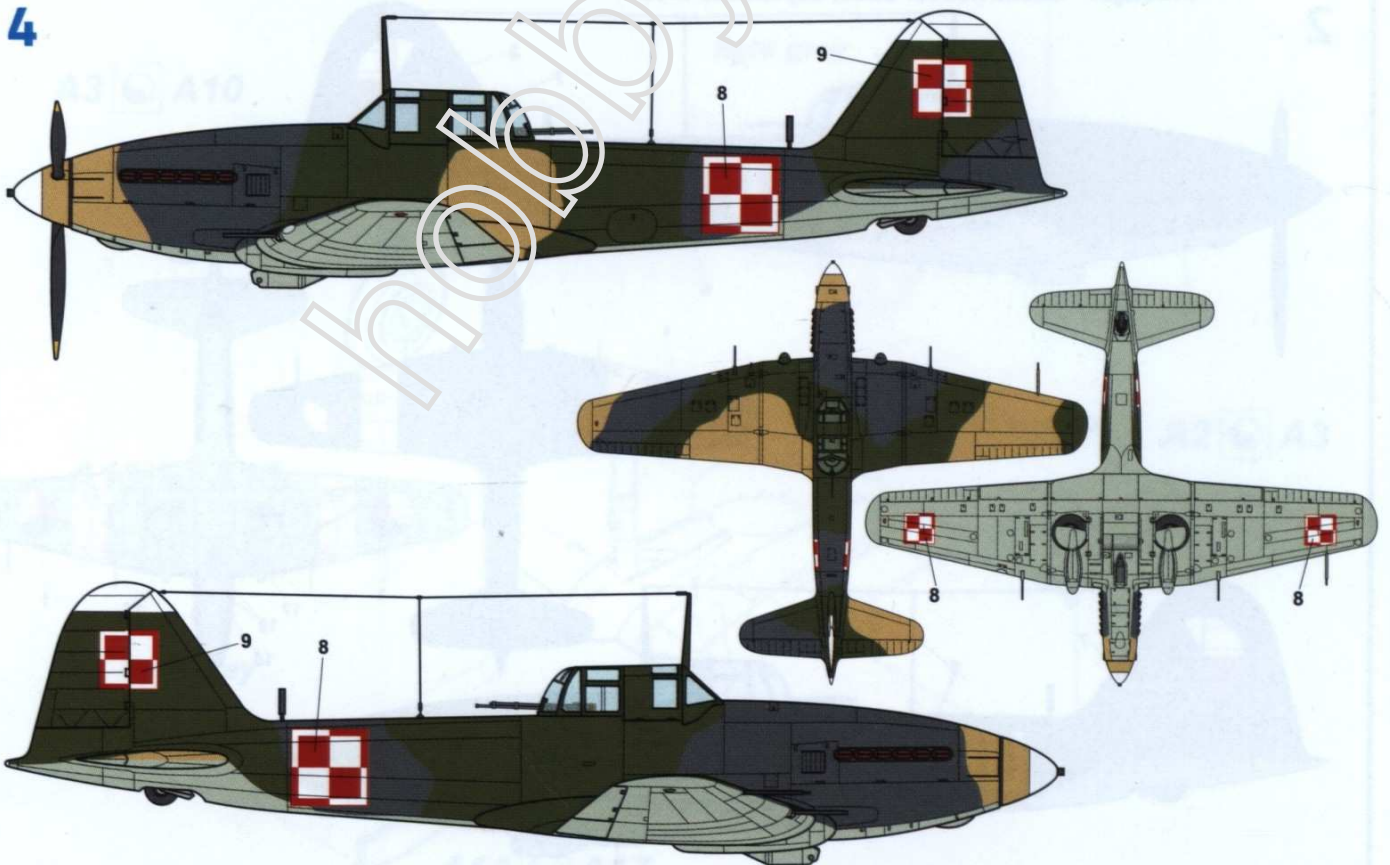


Humbrol	60	34	24	163	94	79	89
	740	738	715	132	2024	165	2023

II-10, Blue 5 - 5th Attack Air Regiment, Polish Air Force, early 1950s

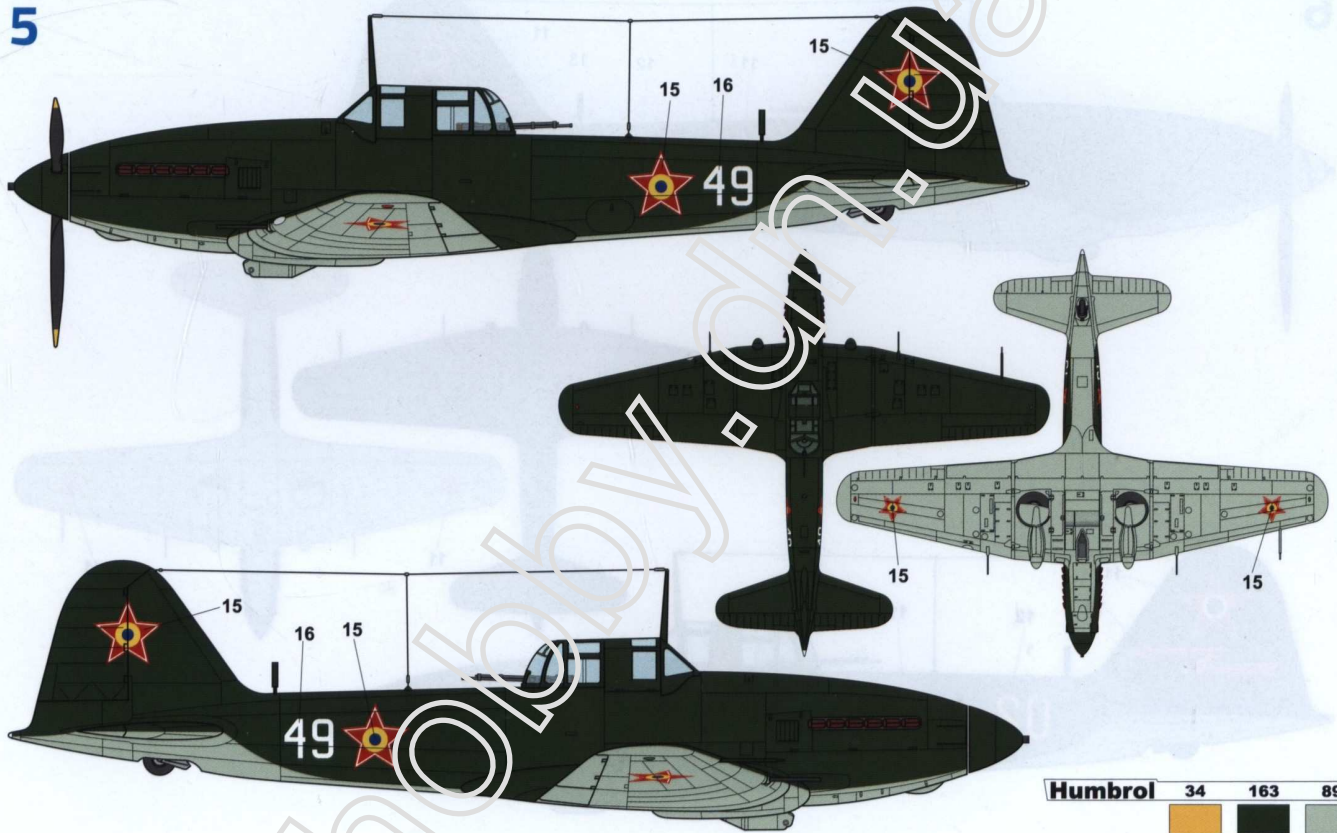






II-10, 4th Attack Air Regiment, Polish Air Force, Bydgoszcz Air Base, 1950



IL-10, White 49, 63rd Attack Air Group, Romanian Air Force, late 1950s

5



Humbrol	34	163	89
			
	715	132	2023

IL-10, Yellow 02, 23rd Attack Air Regiment, Hungarian Air Force, Tapolca Air base, mid 1950s

6

