

Fly



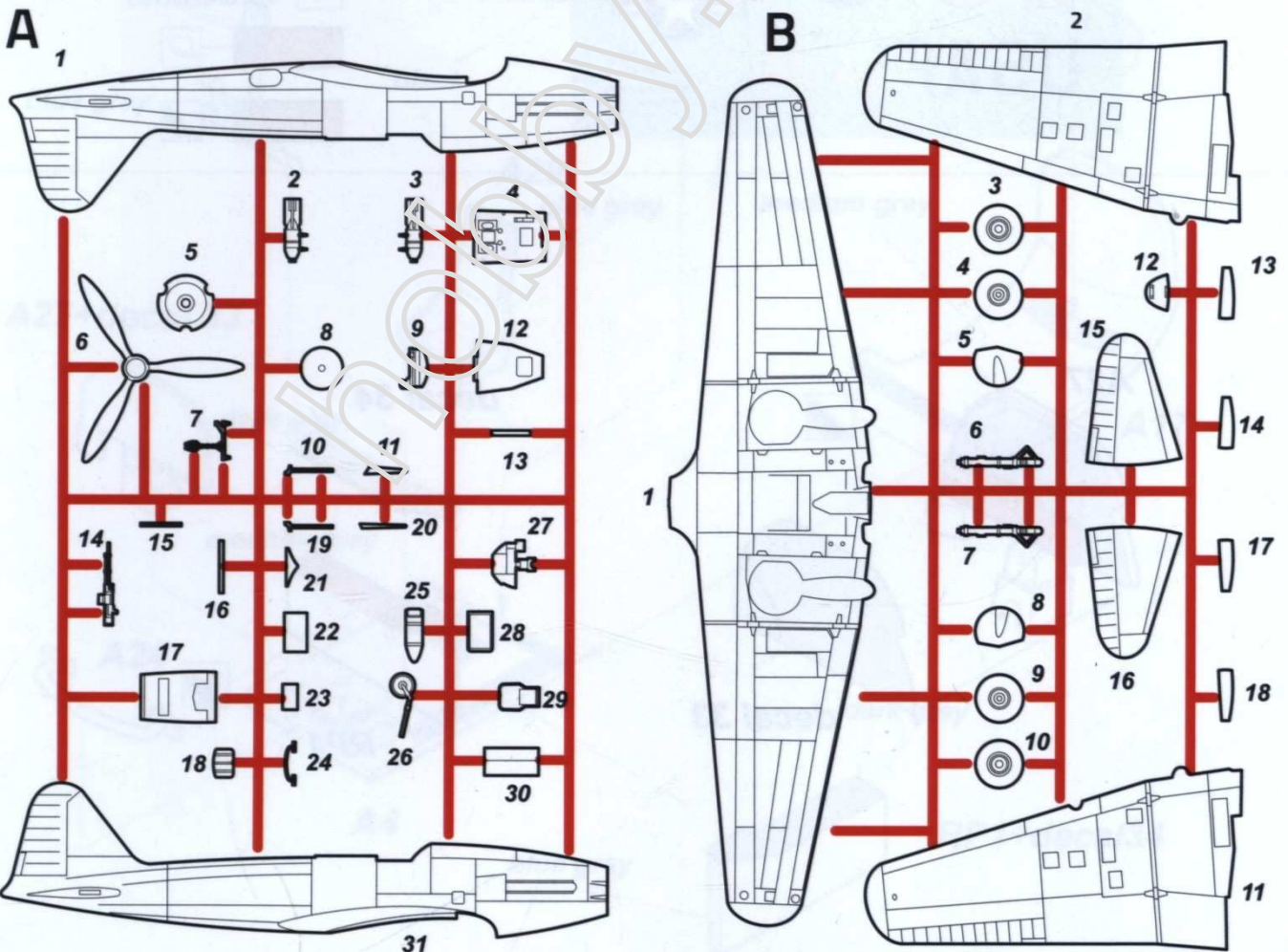
1/72

Plastic model kit
Plastik-Modellbausatz
Plastikový model

72038

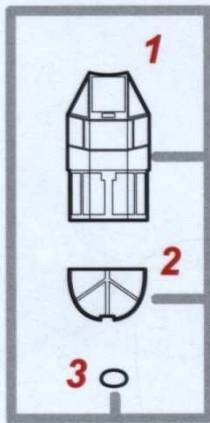
Soviet ground attack aircraft
Ilyushin Il-10
Chinese and Korea service

PLASTIC PARTS



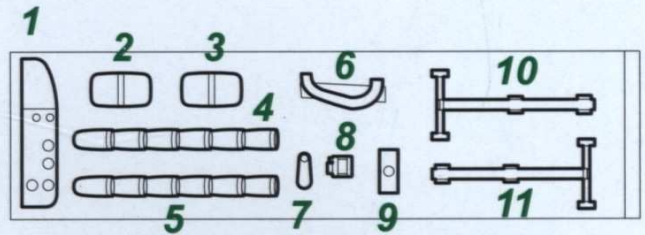
CLEAR PART

CP






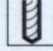

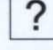
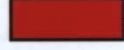

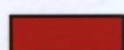

RESIN PART

RP

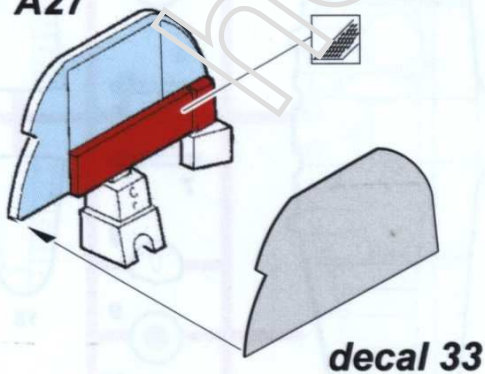


DECALS

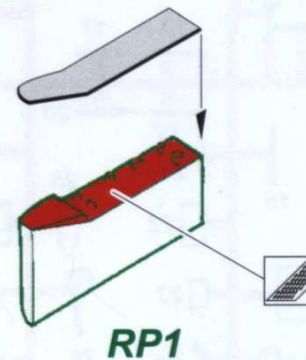


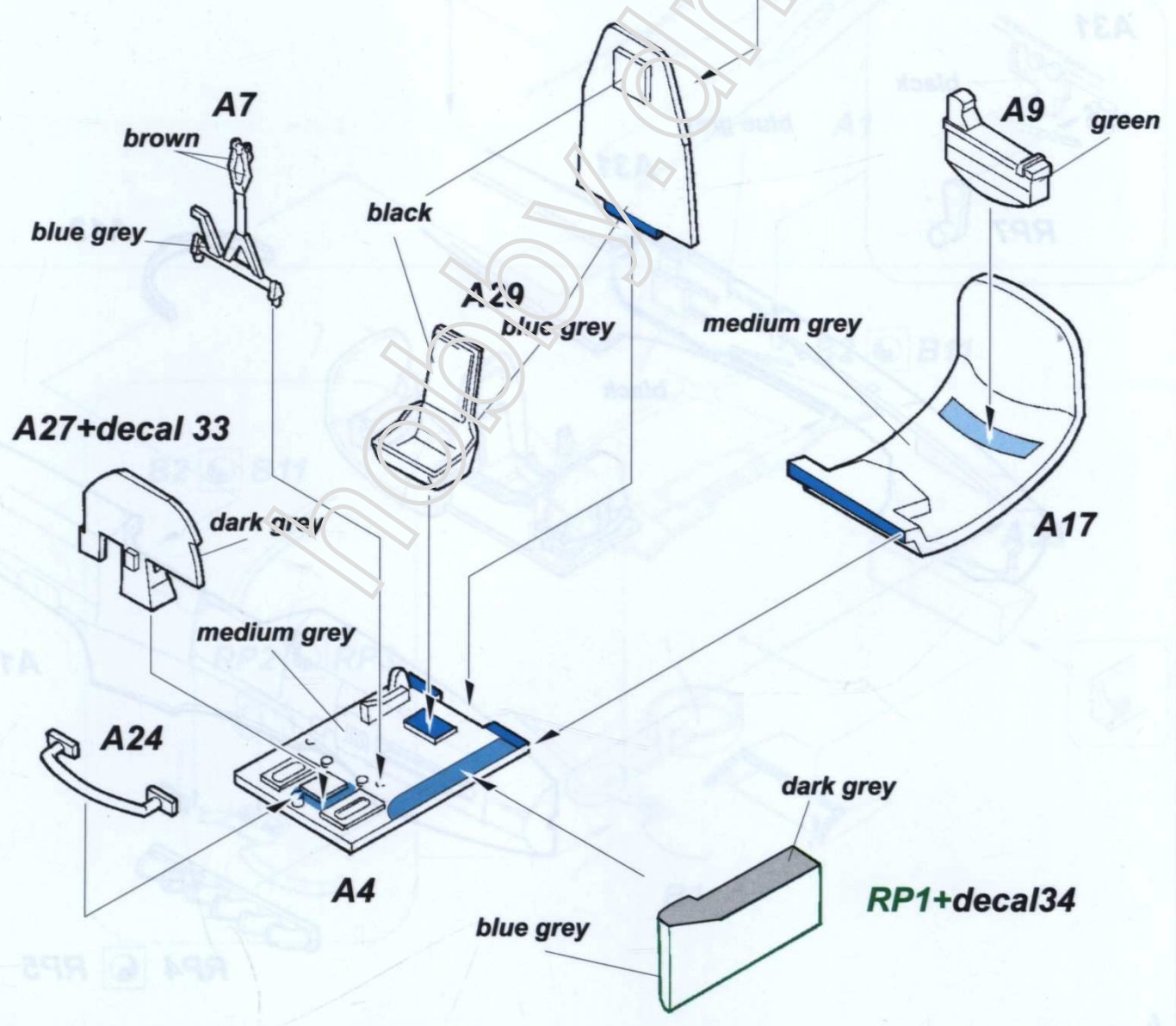
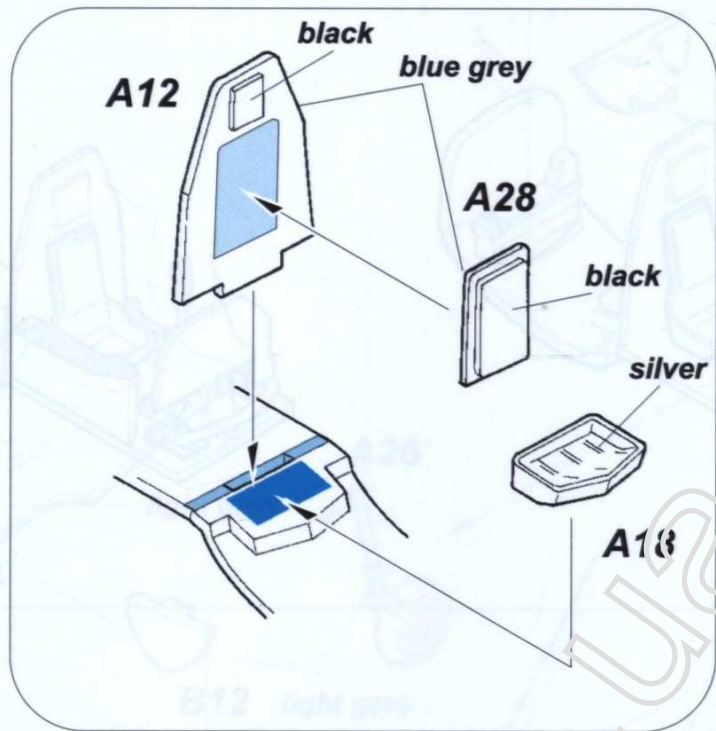
-  SYMETRICAL ASSEMBLY
SYMETRICKÁ MONTÁŽ
-  REMOVE
ODSTRANIT
-  GRIND
OBROUSIT
-  DRILL HOLE
VRTAT OTVOR
-  BEND
OHNOUT
-  ? OPTION
VOLBA
-  
-  

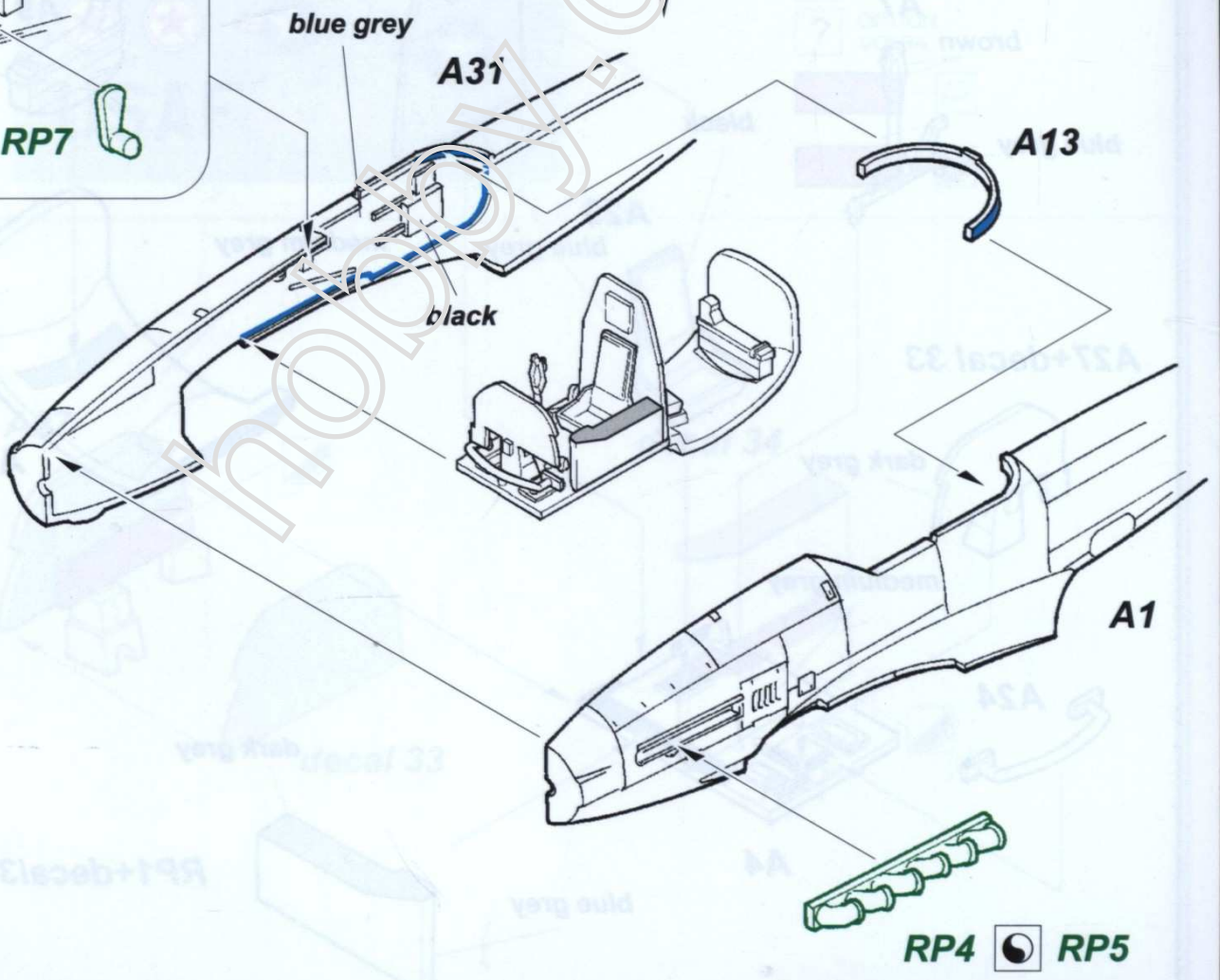
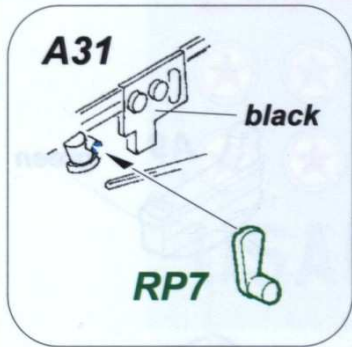
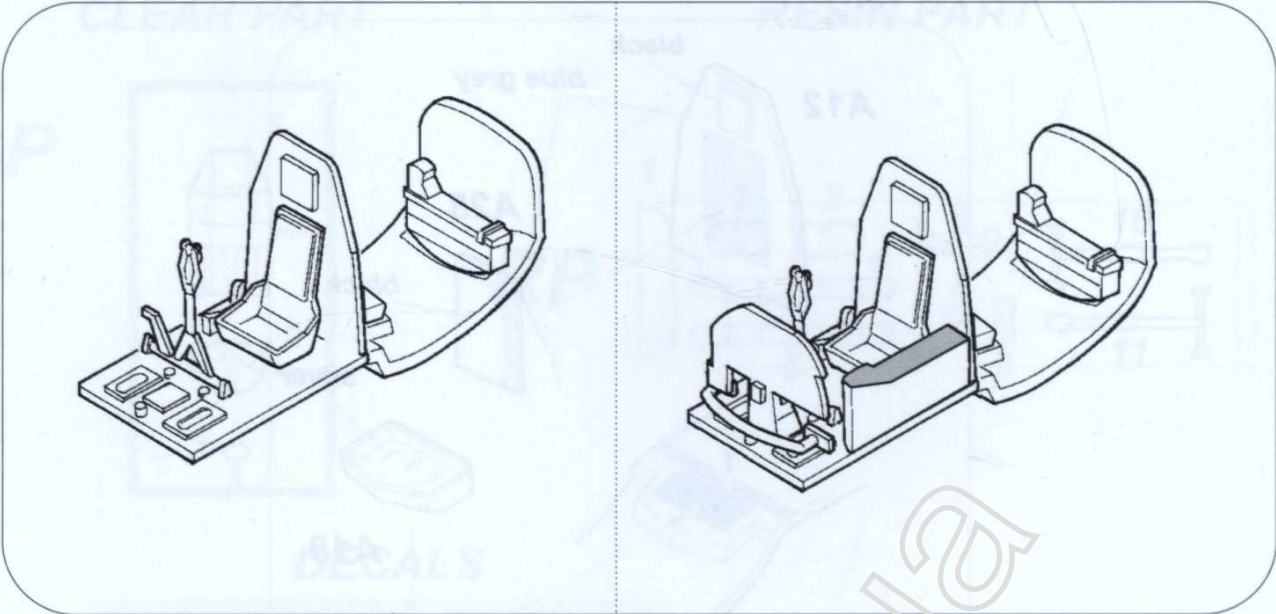
A27

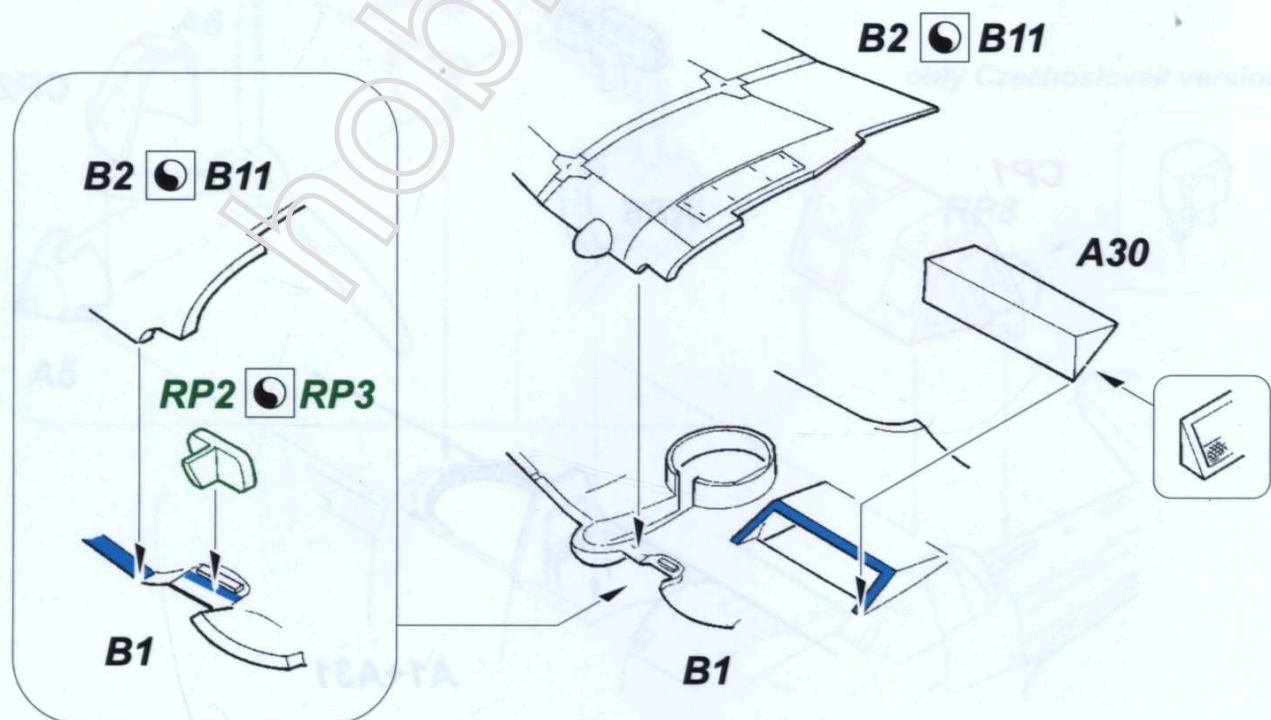
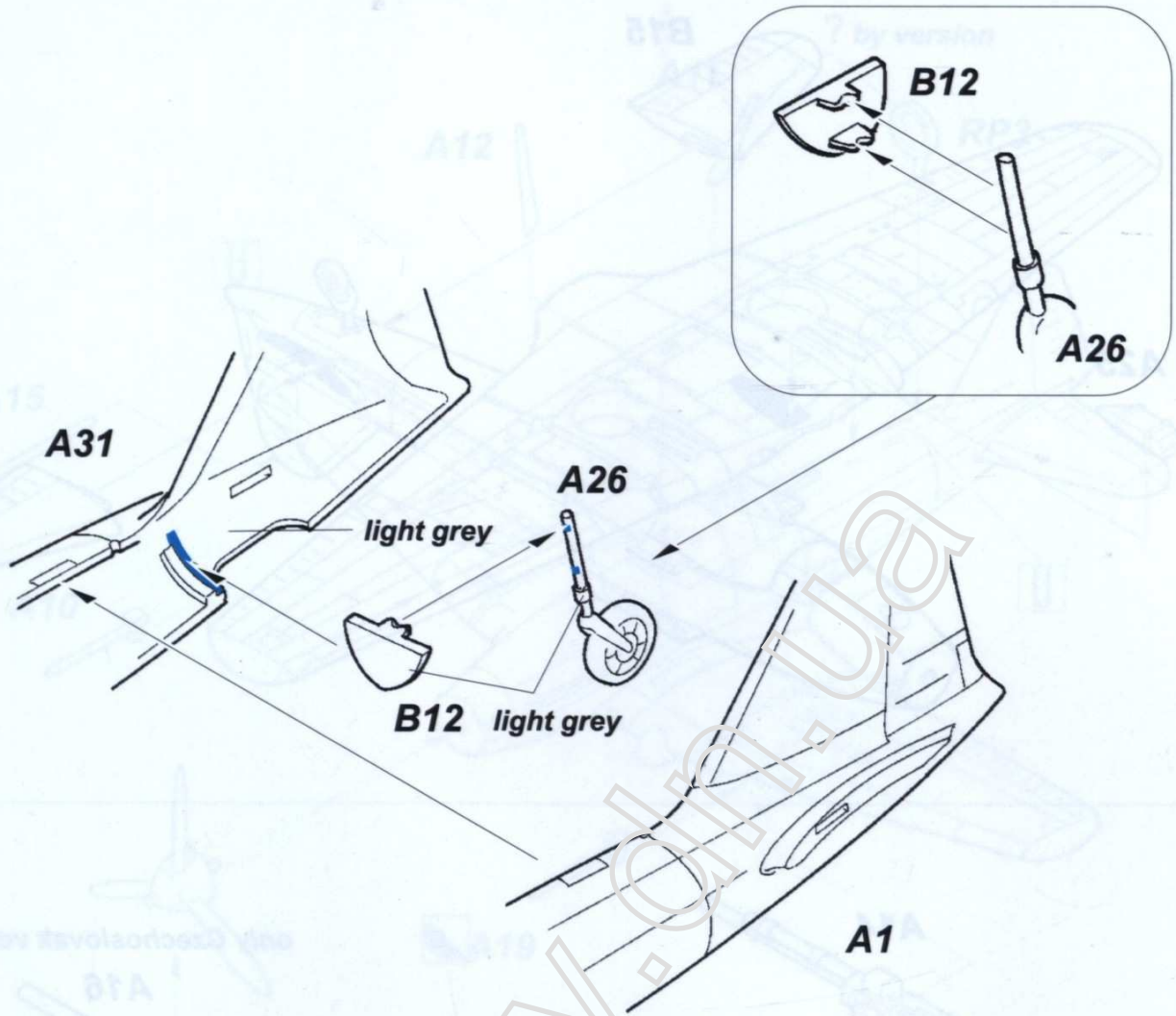


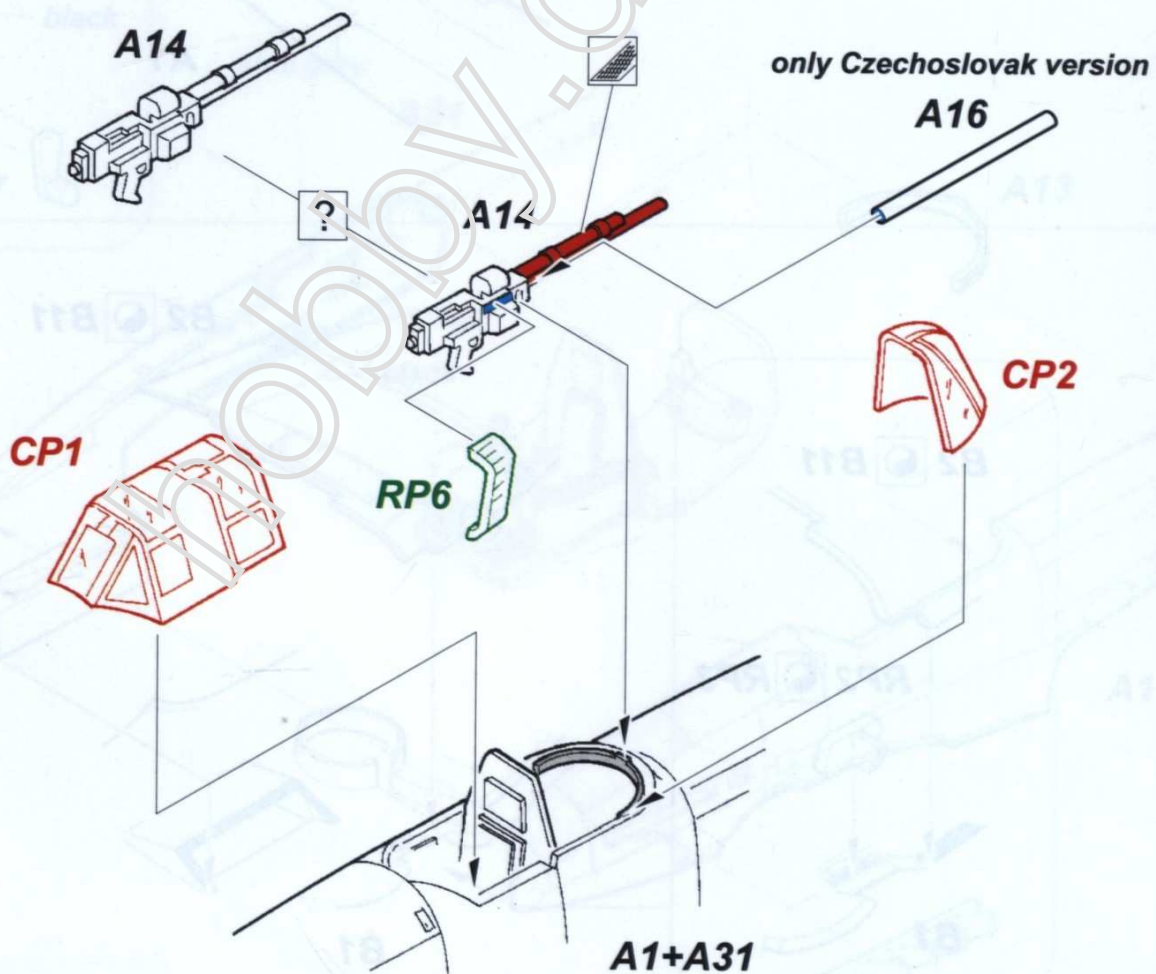
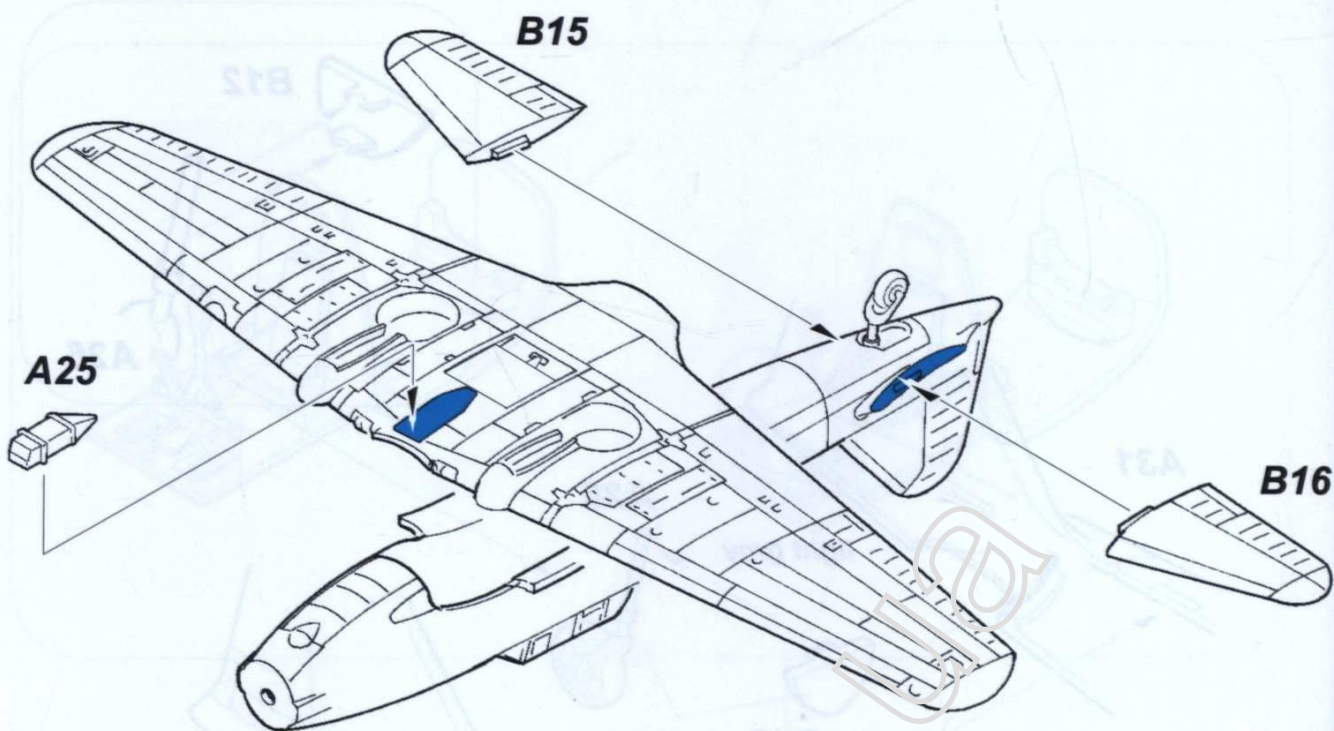
decal 34

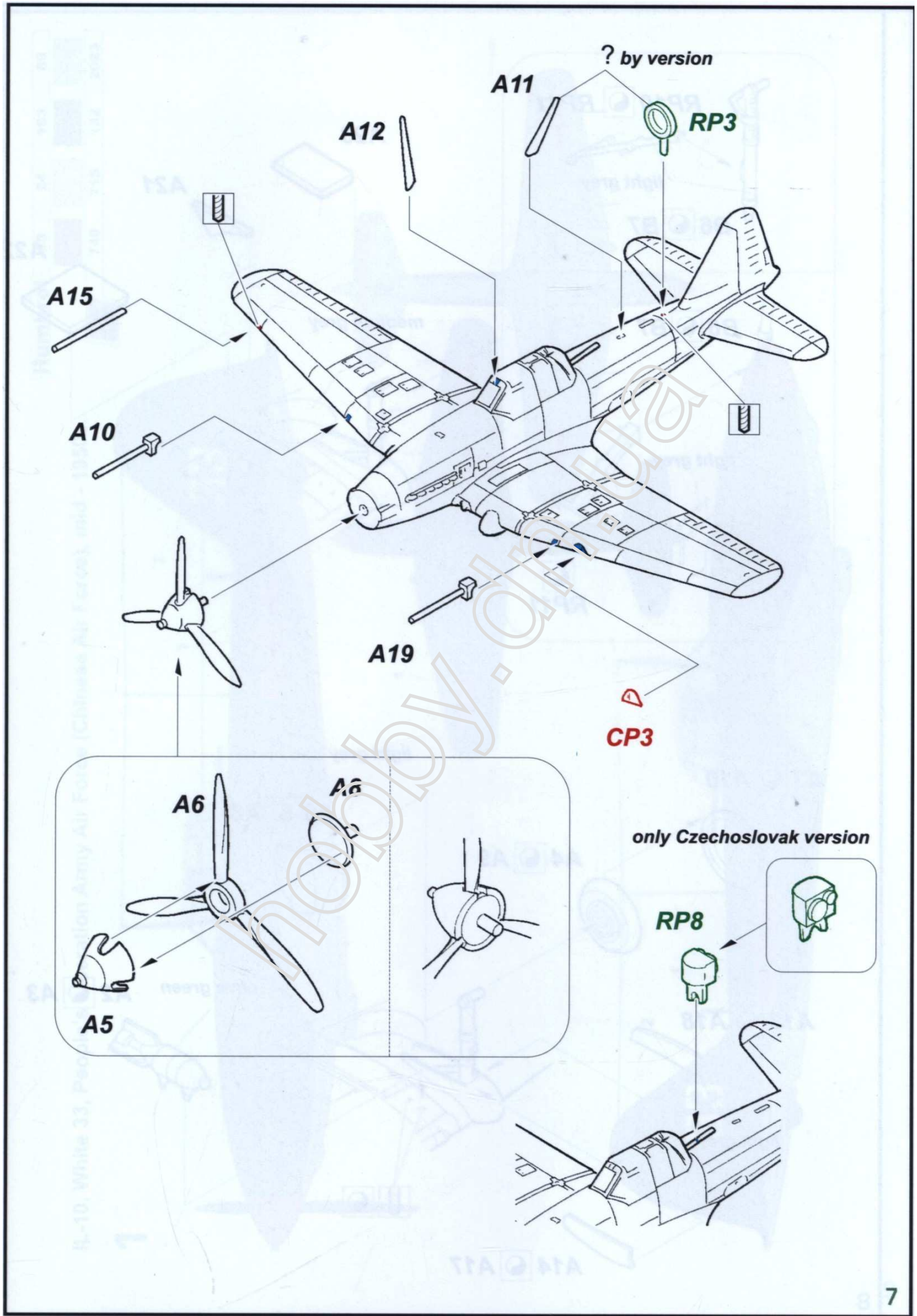


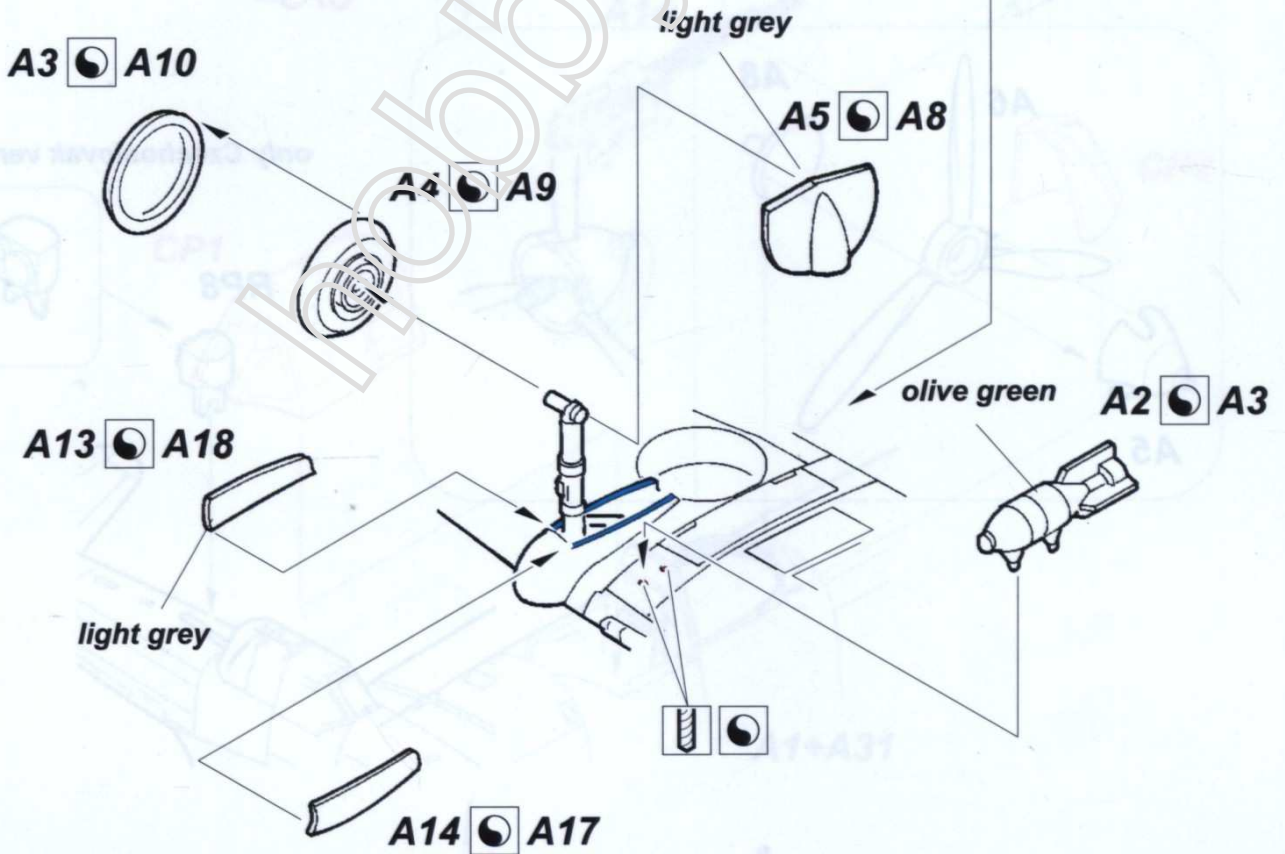
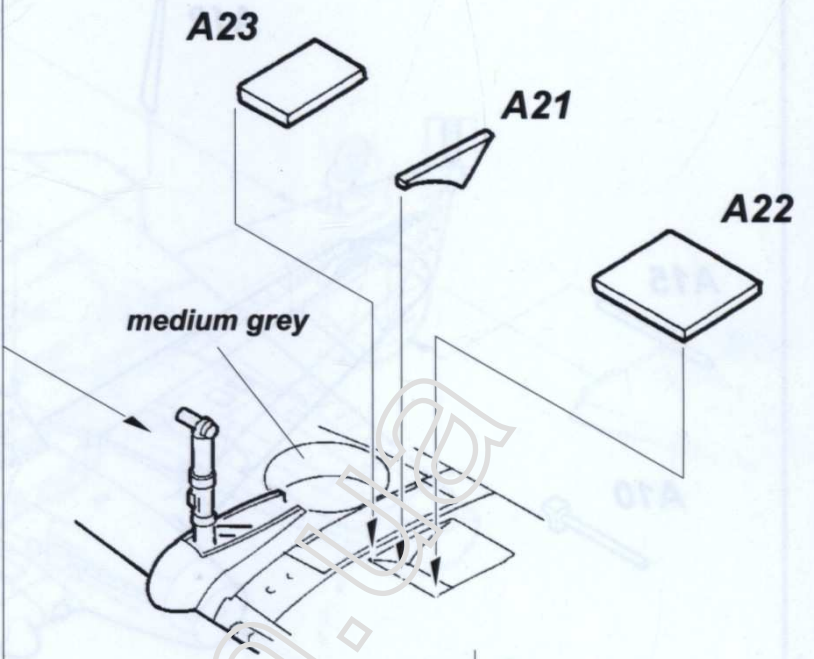
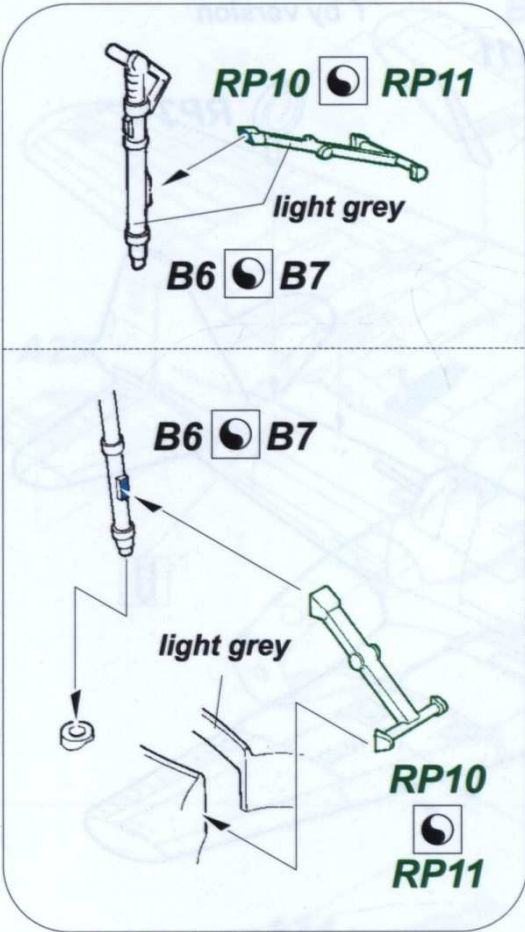




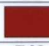


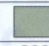


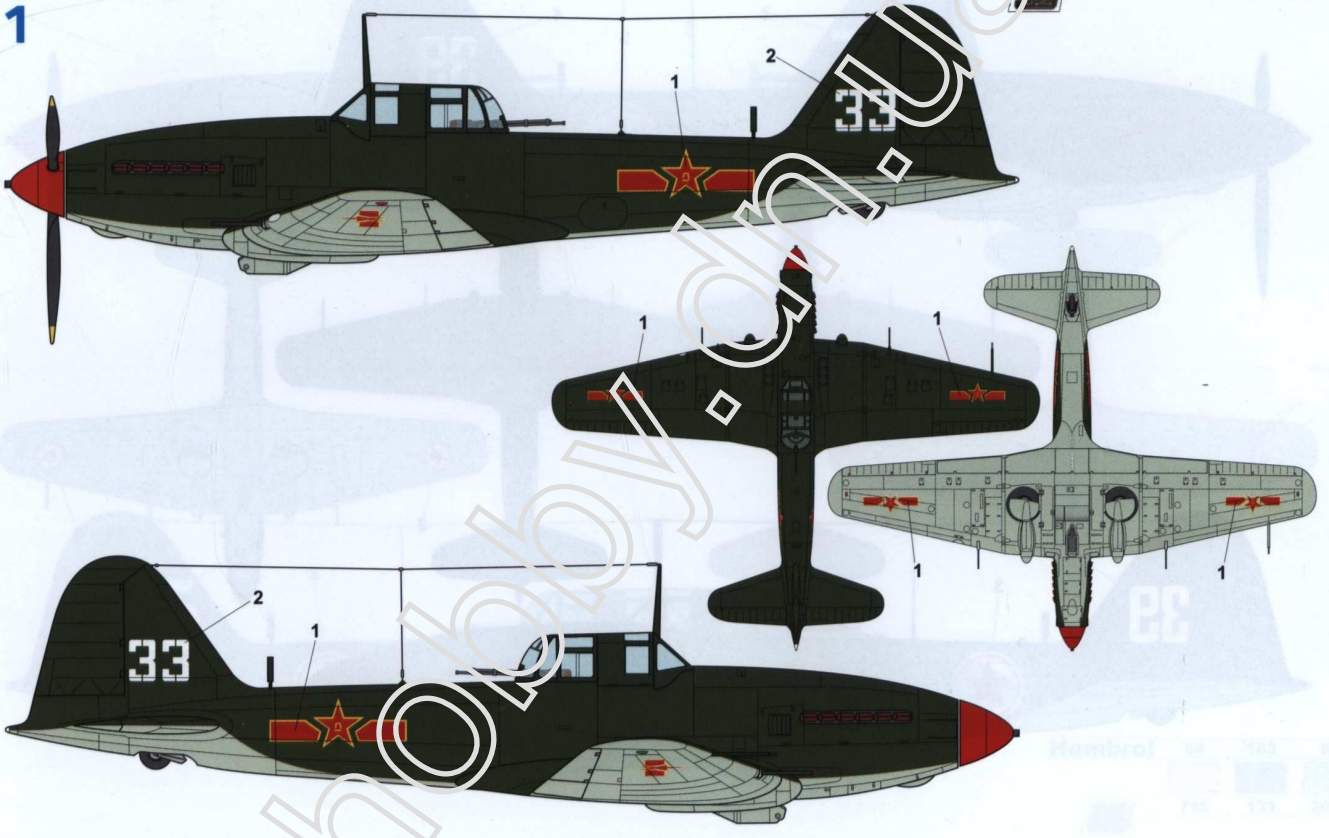






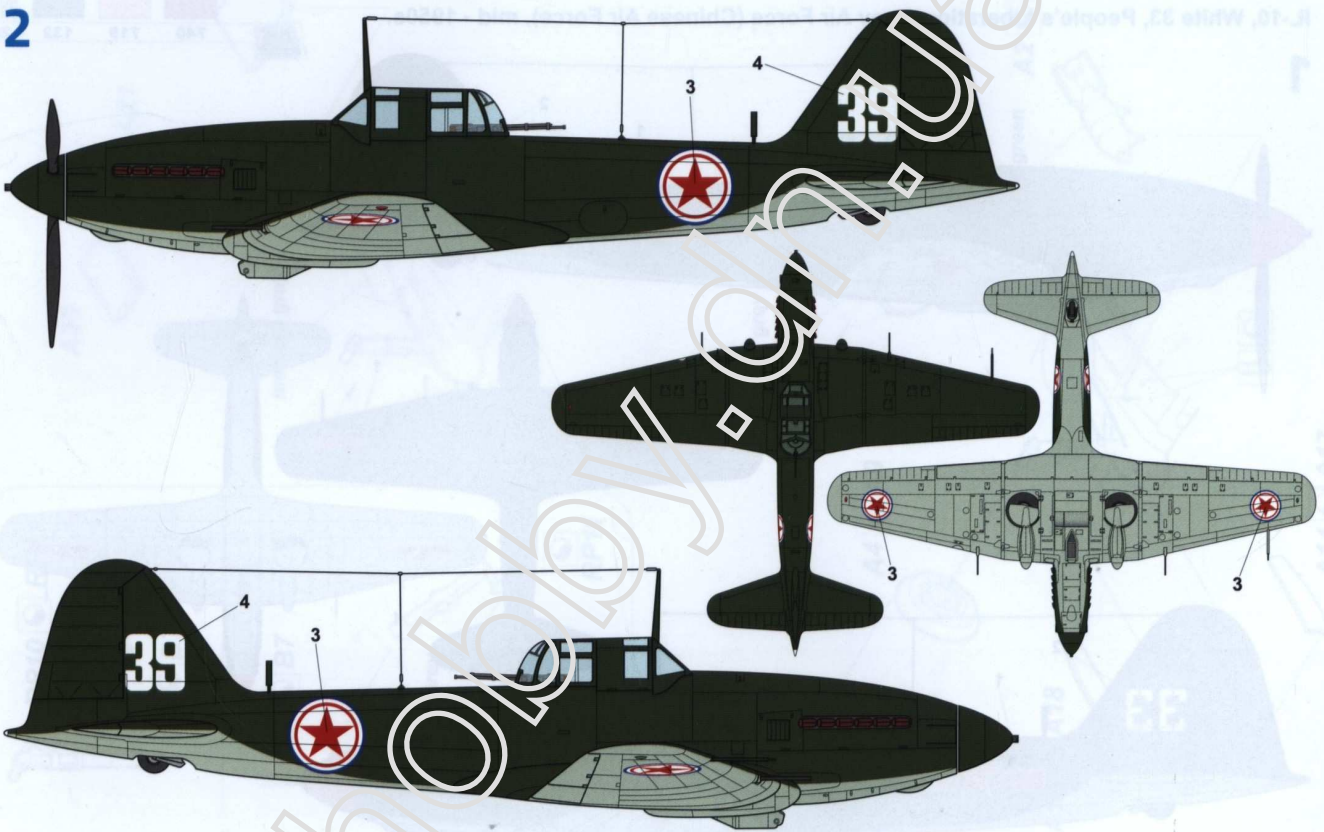
IL-10, White 33, People's Liberation Army Air Force (Chinese Air Force), mid - 1950s.

Humbrol	60	24	163	89
				
740	715	132	2023	



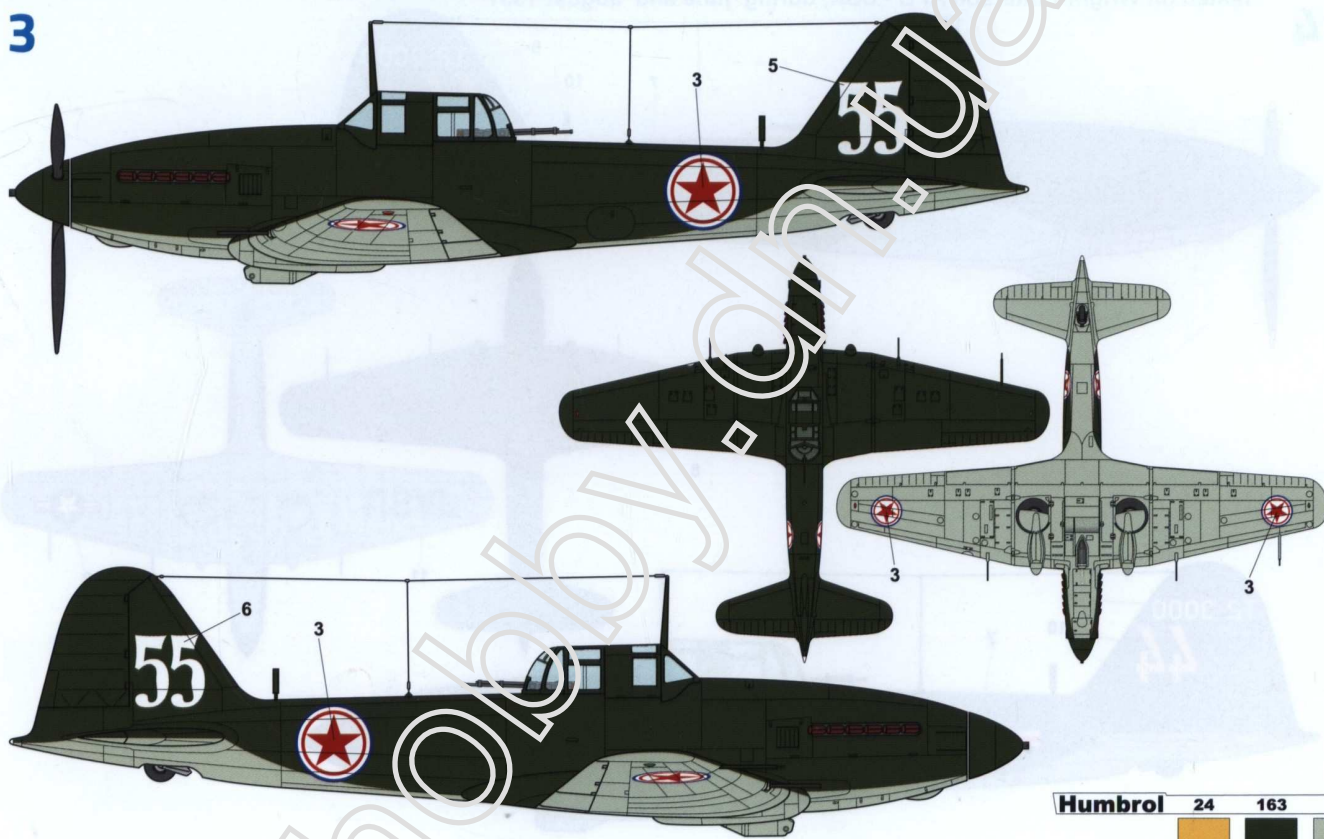
IL-10, White 39, Korean People's Army Air Force (North Korean Air Force), Kimpo Air Base summer 1950

2



IL-10, White 55, Korean People's Army Air Force (North Korean Air Force), 1950

3



Humbrol	24	163	89
	715	132	2023

IL-10, captured on September 1950 by US Marines at Seoul-Kimpo airfield during Korean War.
Tested on Wright-Patterson AFB - USA, during June and August 1951

4

