

1:48 Scale

ITEM No.:80356



F8F-1 Bearcat

F8F-1 ベアキャット

美国F8F-1 “熊猫”战斗机

PLEASE READ BEFORE OPERATION!

- * Tools recommended as below: (Not included)
Adhesives; Paints; Side Cutters; Sharp Edged Pliers; Modeling Knife; Modeling File; Nippers; Drill; Scissors; Sand Paper; Soft Cloth; Cyanoacrylate Glue.
- * Make sure to read this instruction listed below before assembling.
- * The kit contains the small parts, they can be dangerous if swallowed by mistake, so keep them away from reach of children.
- * Cut the all parts off carefully and remove the waste parts into the garbage can.
- * More caution and care should be needed for cutting and handling the photo etched parts.
- * Make attention that some parts should be attached the decal when assembled.
- * During assembling, please tear up and throw away the plastic bags, or may cause the dangerous if wearing over head by children's mistake.
- * When using the adhesives and paints, please do not use them in the closed room or near the fire, also must be very careful to protect your eyes, face and clothes.
- * Adult supervised when assembled by children under 14 years old.

装配前请仔细阅读:

- * 推荐使用的模型工具(请自备):
专用模型胶水, 专用模型油漆, 水口剪刀, 长咀钳, 刀片, 锉刀, 镊子钳, 钻, 剪刀, 软布, 砂纸, 瞬间快干胶等。
- * 用水口剪刀或刀片小心切下所有塑胶零件和蚀刻片零件, 不要遗失小零件。
- * 切取蚀刻片时应特别注意防止利边划伤手指。
- * 用模型锉刀小心锉平所有零件表面的注射浇口。
- * 用适量的强力快干胶水粘合蚀刻片零件和金属轴, 切忌过量, 否则可能导致可动零件被粘住。
- * 注意某些零件表面需在装配时同步贴水上贴纸。
- * 制作时应远离幼儿并将包装袋及时收妥, 谨防小孩玩耍而引起意外。



Using CA super glue
使用强力胶



weight
配重



make hole
钻孔



cut / remove
切除



option
选择



no cement
不涂胶水



decal
贴纸



bend
弯曲



repair
填补

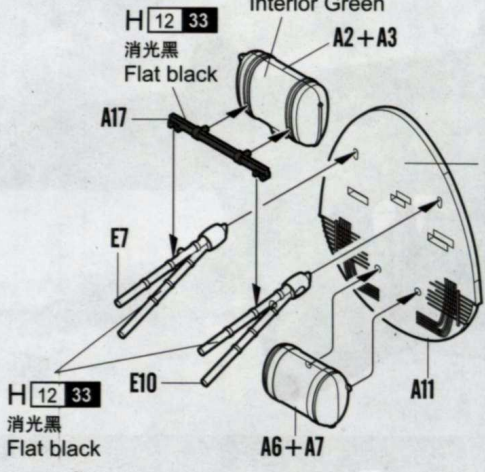
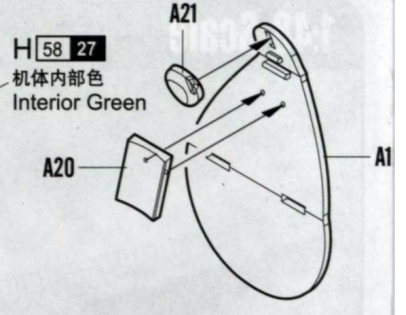
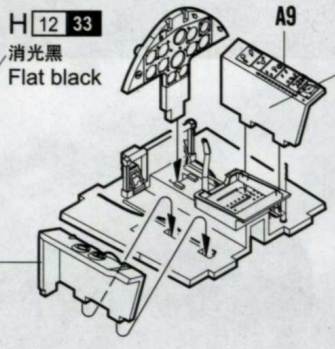
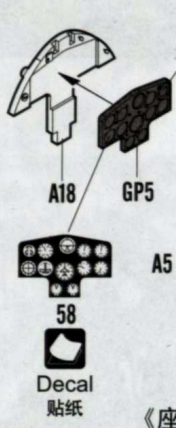
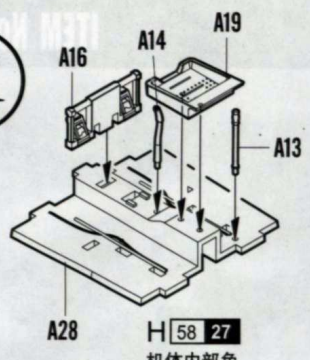
The method to apply the decals

1. Cut off the decal from the decal paper and put it into the warm water 40°C for 10 seconds.
2. Take the decal from the water and put it on a piece of clean cloth.
3. Remove the decal slowly from the paper to the targeted location by a wet finger.
4. Use a piece of dry and soft cloth to press it gently on the decal until it getting dry and no bubble existing.

水贴纸的使用方法:

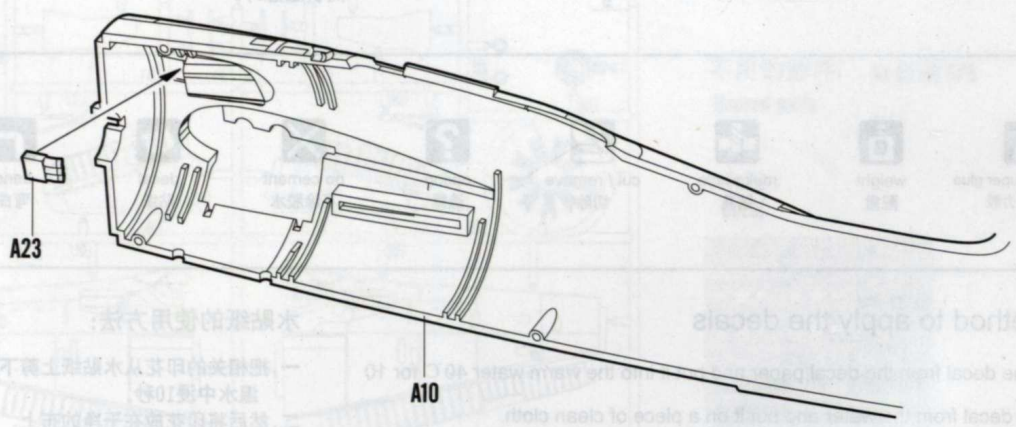
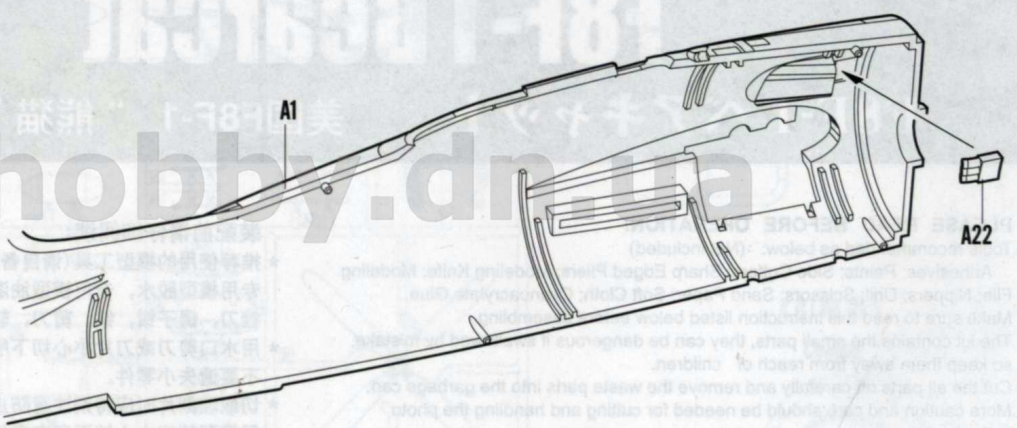
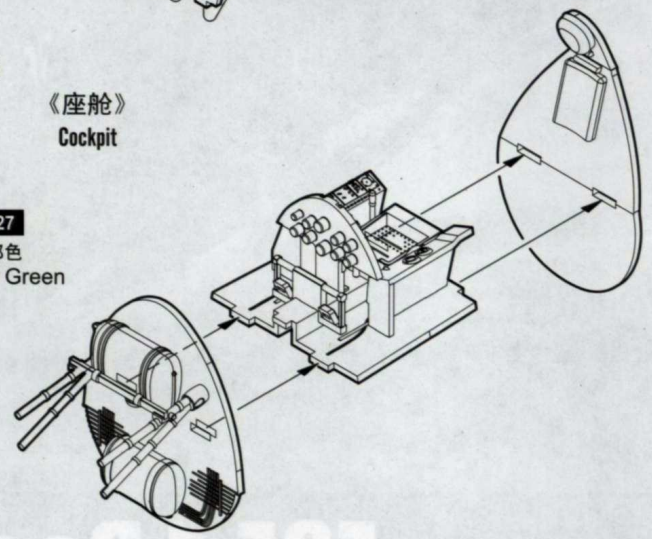
- 一. 把相关的印花从水贴上剪下, 放入40°C左右的温水中浸10秒。
- 二. 然后将印花放在干净的布上。
- 三. 拿上印花纸板, 手指蘸水将印花移到适当的位置。
- 四. 用软干布轻压印花直至水干, 气泡消失。

1
STEP

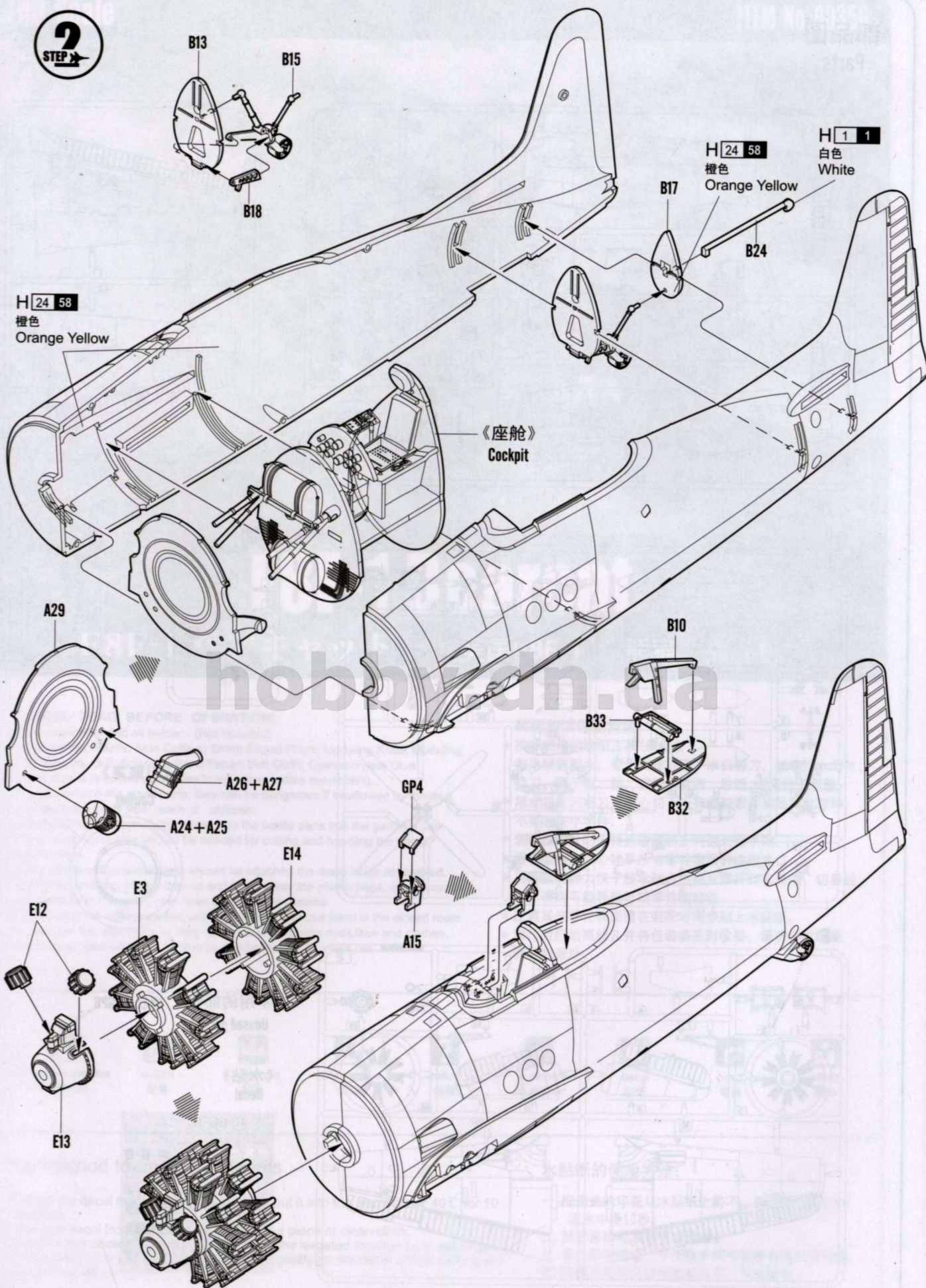


H 58 27
机体内部色
Interior Green

《座舱》
Cockpit



2
STEP



3
STEP

《左侧机翼》

Left wing



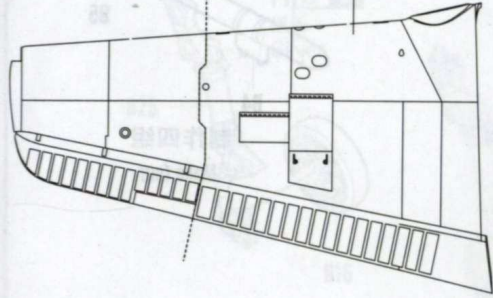
Cut /Remove
切除

《折叠状态》

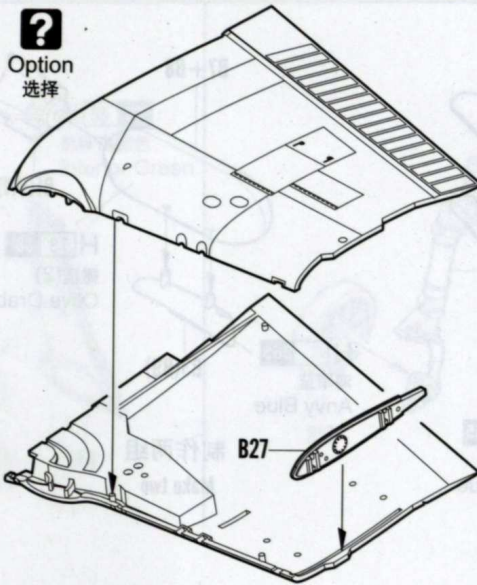
Folding



Option
选择



C2



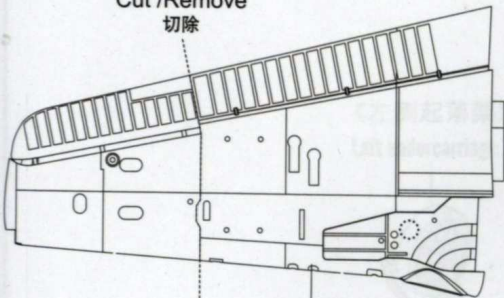
B27

B29

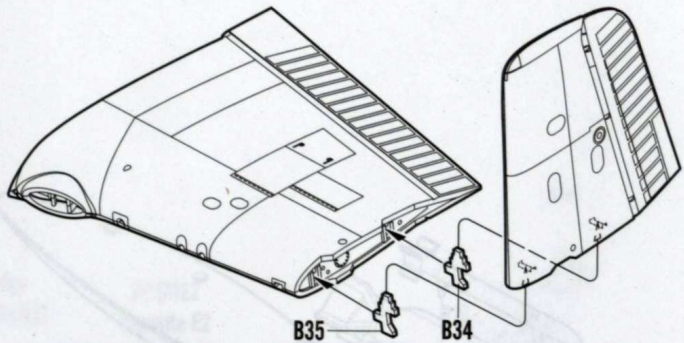
GP2



Cut /Remove
切除



E15



B35

B34

《右侧机翼》

Right wing



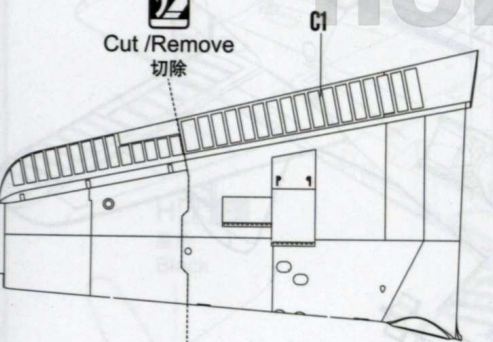
Cut /Remove
切除

《折叠状态》

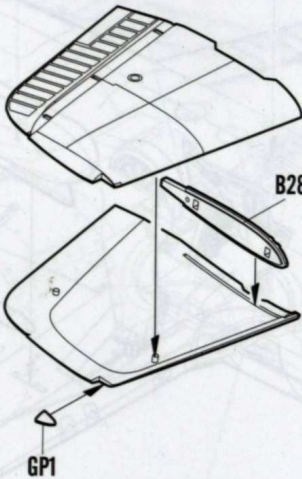
Folding



Option
选择

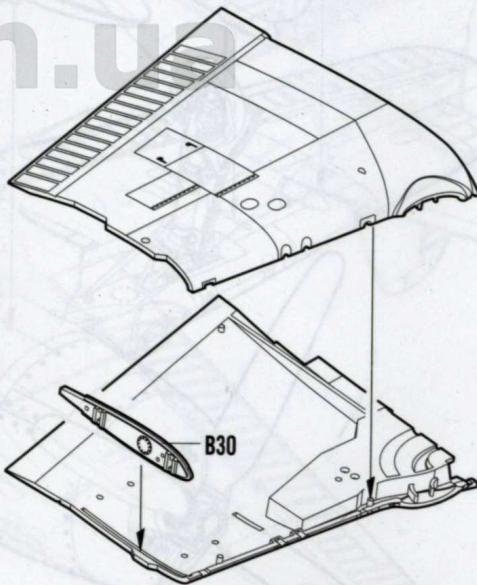


C1



B28

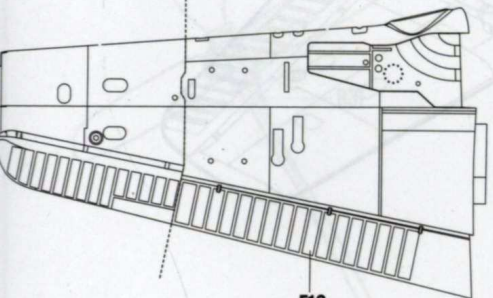
GP1



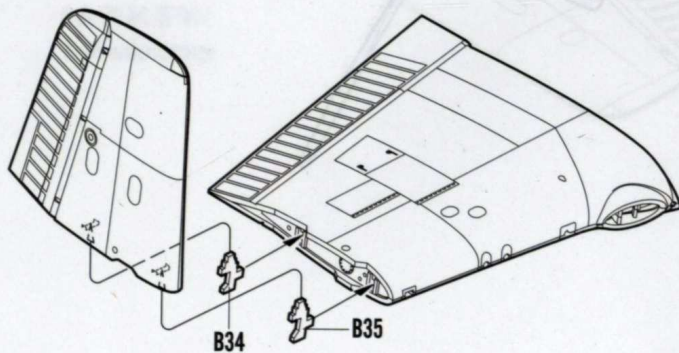
B30



Cut /Remove
切除



E16



B34

B35

H
机
Int



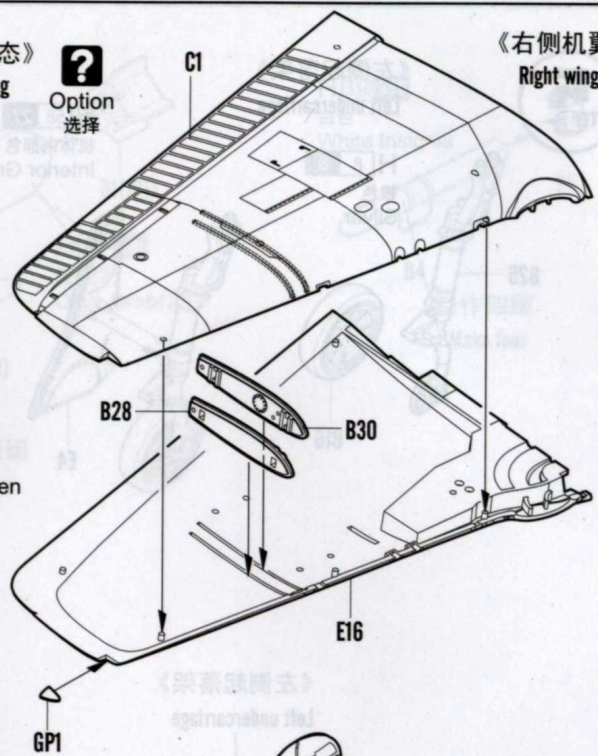
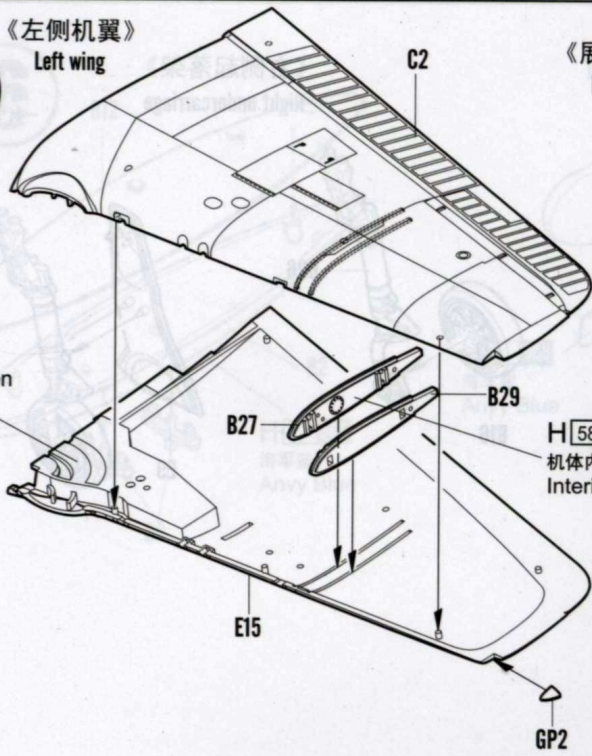
《左侧机翼》
Left wing

《展开状态》
Expanding

?
Option
选择

《右侧机翼》
Right wing

H 58 27
内部色
Interior Green



H 58 27
机体内部色
Interior Green

《右侧机翼》
Right wing

GP3

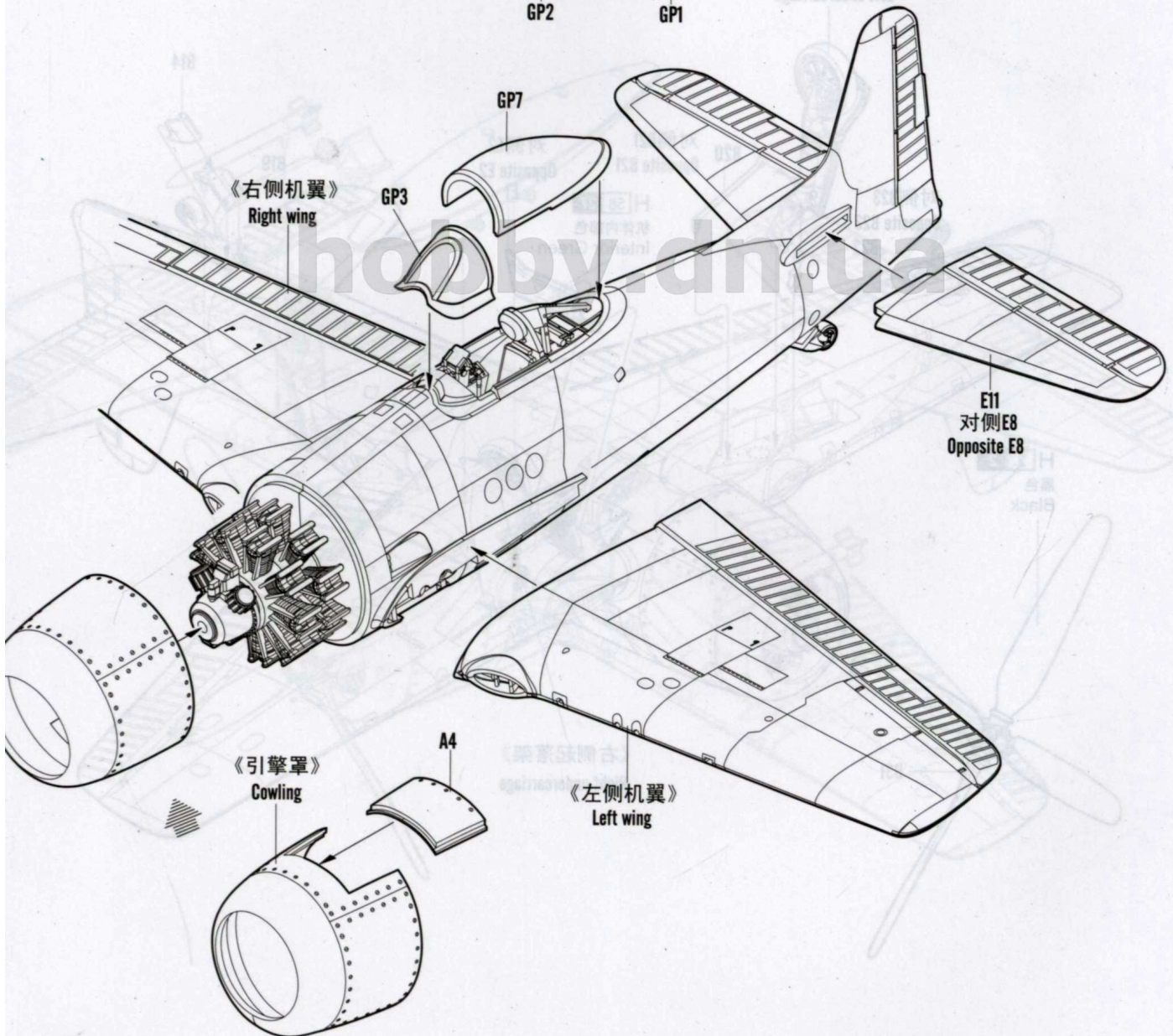
GP7

E11
对侧E8
Opposite E8

《引擎罩》
Cowling

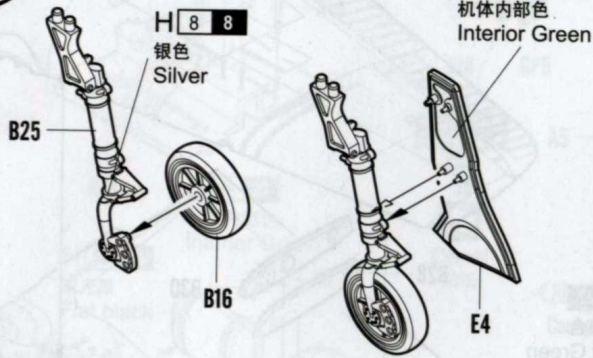
A4

《左侧机翼》
Left wing

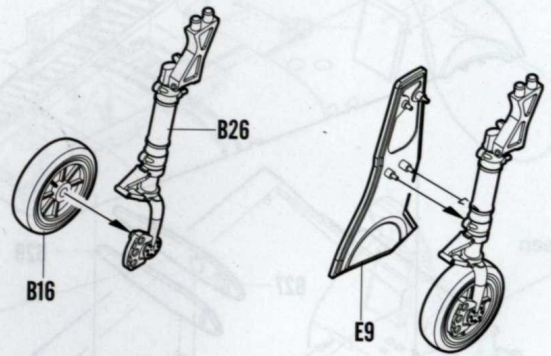


5
STEP

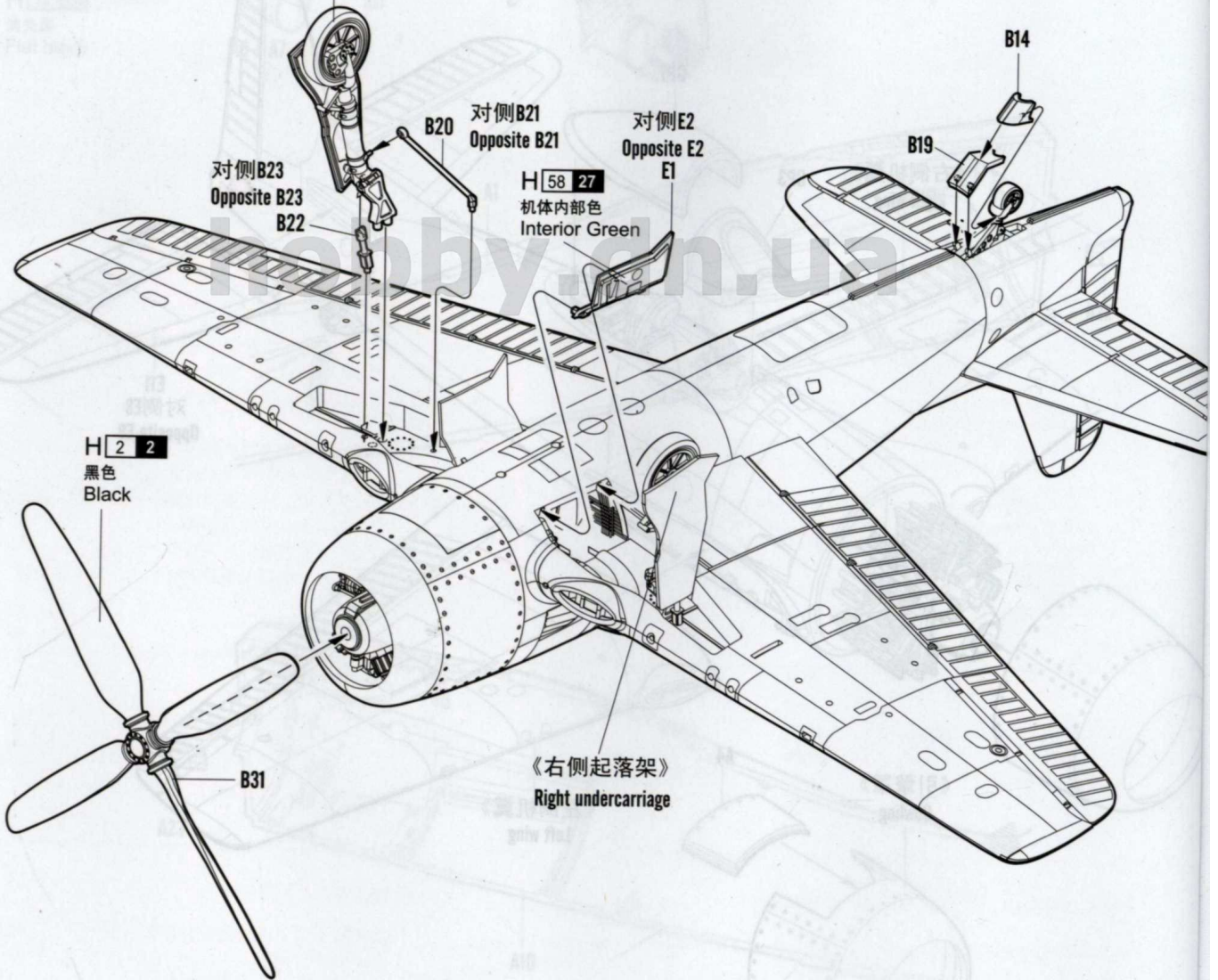
《左侧起落架》
Left undercarriage



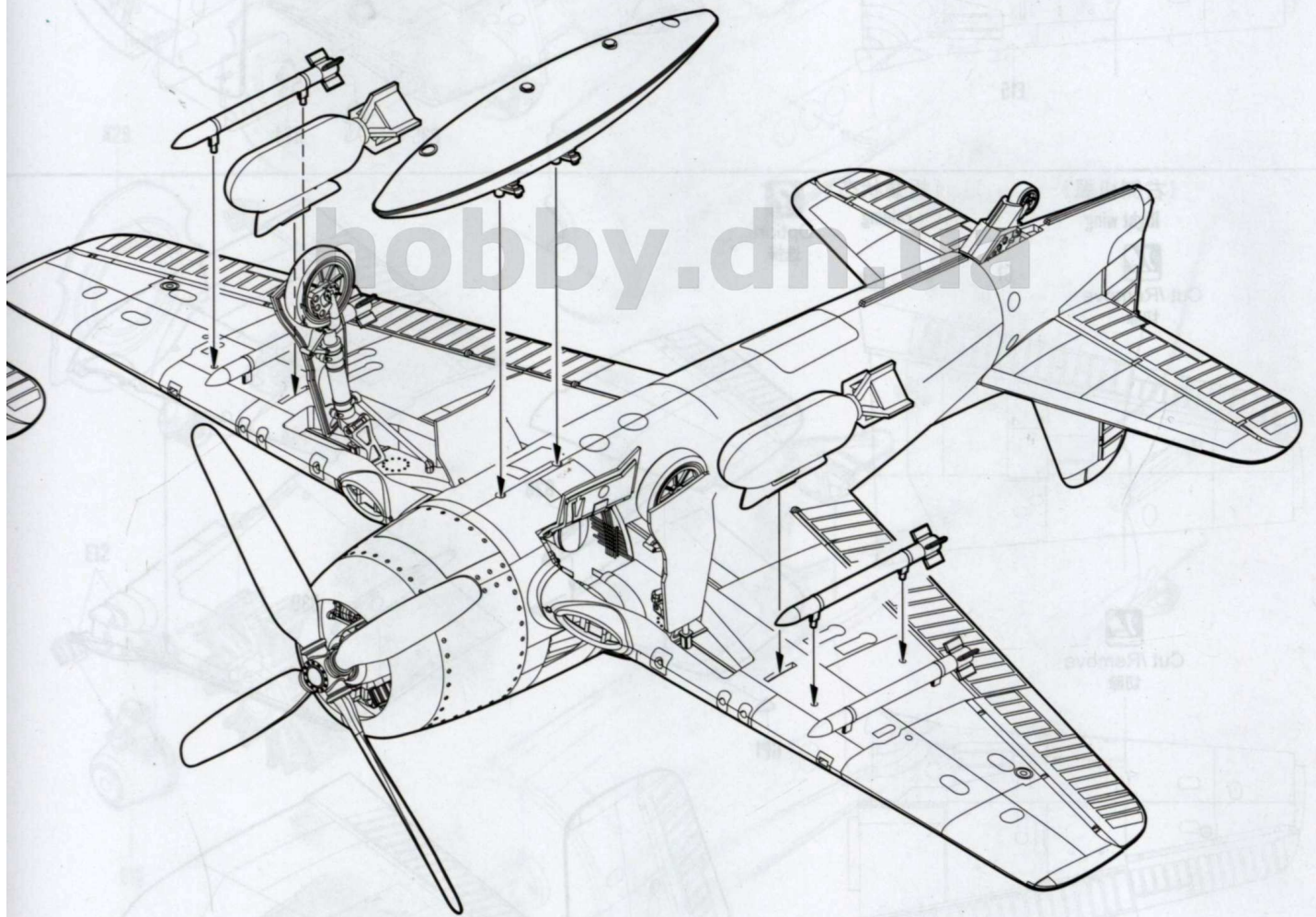
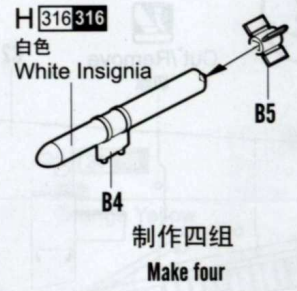
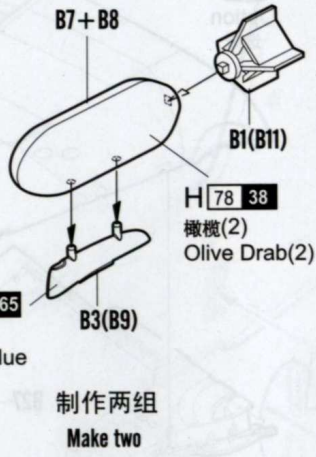
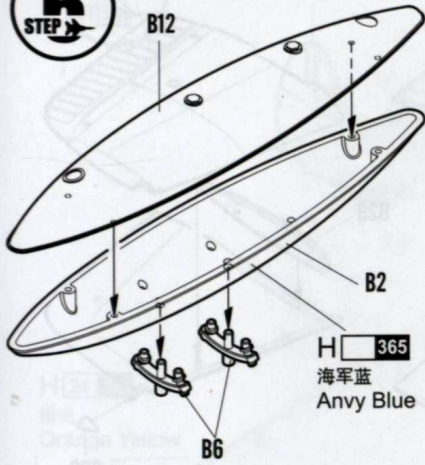
《右侧起落架》
Right undercarriage



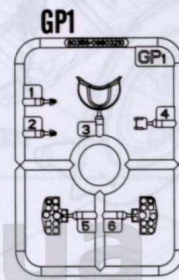
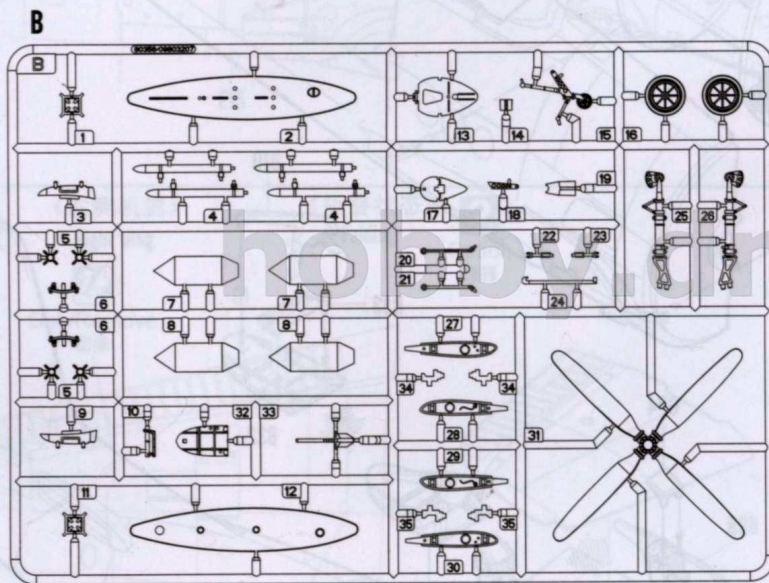
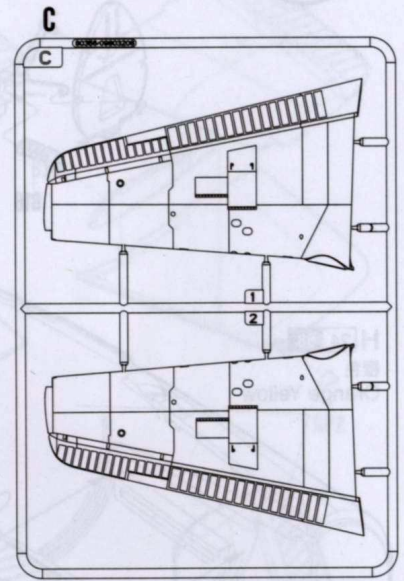
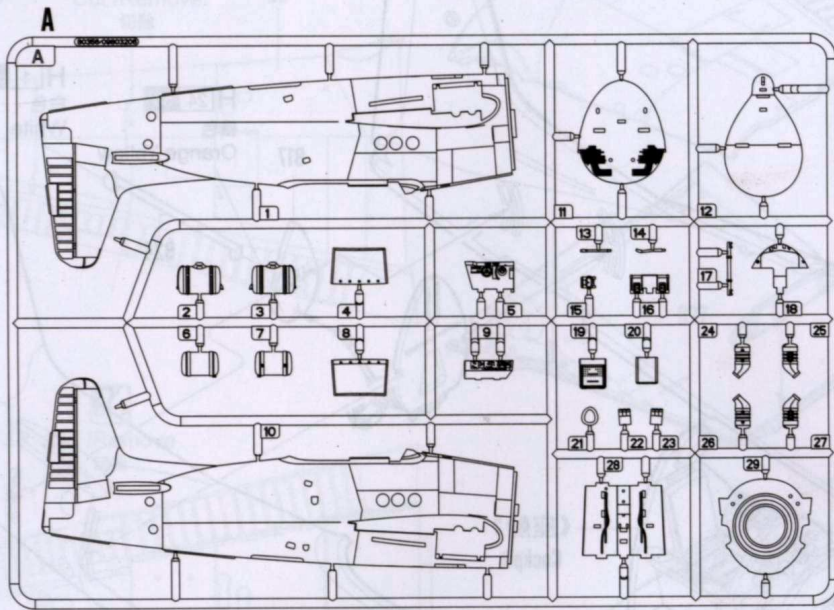
《左侧起落架》
Left undercarriage



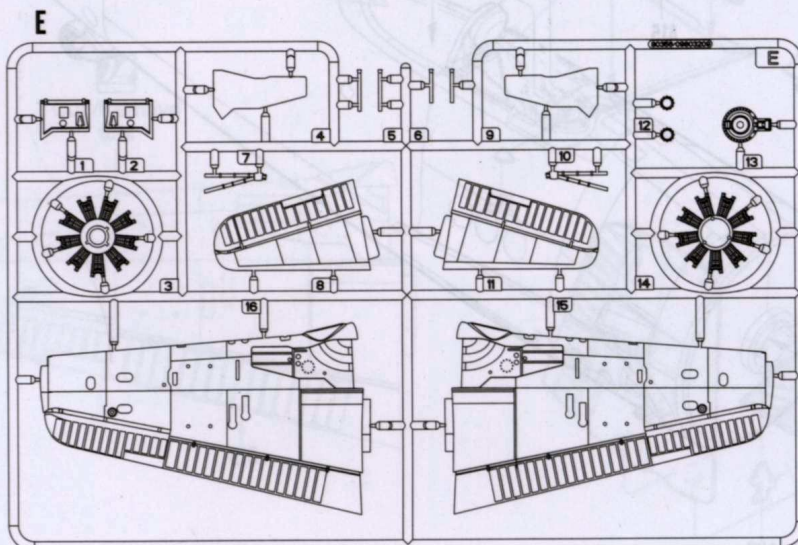
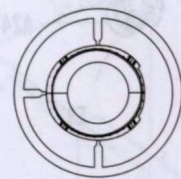
6
STEP



部品图
Parts



《引擎罩》
Cowling



不用的部件: A8 E5 E6 G6
Unused parts

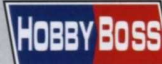
《水贴》
Decal



F8F-1 Bearcat

F8F-1 ベアキャット

美国F8F-1 "熊猫"战斗机



I F8F-1(Bu.No. 95081) VF-3 flown by LT.A.M. "Mike" Granat 1946.

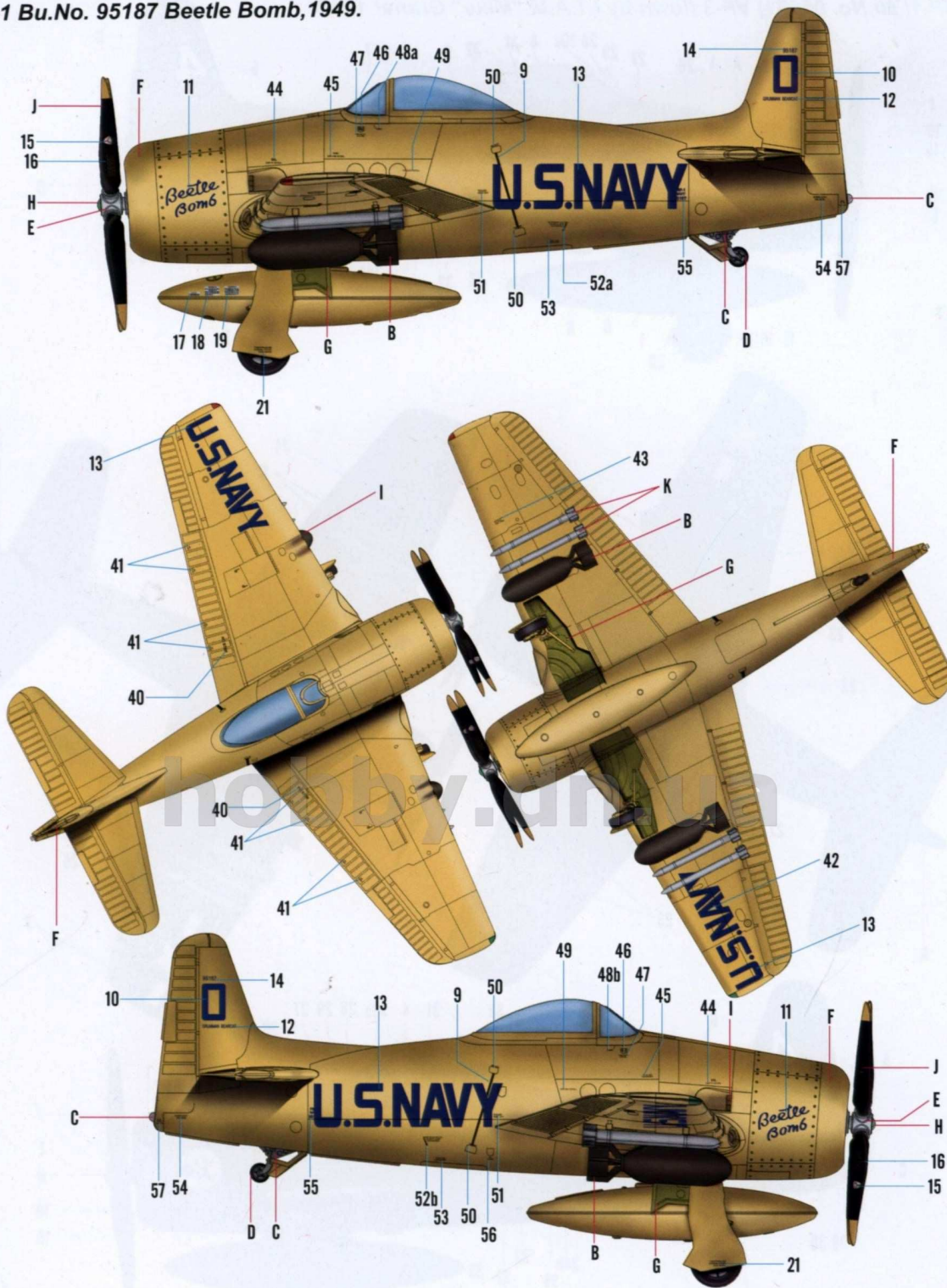


	Color	Mr.Hobby	Vallejo	Model Master	Tamiya	Humbrol
A	海军蓝 Navy Blue	H 365	--	--	--	--
B	橄榄色 Olive Drab	H 304 304	887	1711	XF62	155
C	白色 White	H 1 1	841	1745	X2	22
D	胎黑色 Tire Black	H 77 137	--	--	--	--
E	银色 Silver	H 8 8	997	1546	X11	11

NO.:80356

※ Some paints may not be available in your country. Please check your local hobby shop for substitute.

II F8F-1 Bu.No. 95187 Beetle Bomb, 1949.



	Color	Mr.Hobby	Vallejo	Model Master	Tamiya	Humbrol
F	黄色 Yellow	H [329]	--	1514	X8	188
G	机体内部色 Interior Green	H [58 27]	--	--	--	--
H	绿色 Green	H [6 6]	969	2716	X5	3
I	烧铁色 Burnt Iron	H [76 61]	873	1795	X10	53
J	消光黑 Flat Black	H [12 33]	950	1749	XF1	33
K	灰色 Gray	H [311 311]	883	1733	XF55	28