

1:48 Scale

ITEM NO.:80365



F3H-2M Demon

F3H-2M デーモン

美国F3H-2M “恶魔”

PLEASE READ BEFORE OPERATION!

- * Tools recommended as below: (Not included)
Adhesives; Paints; Side Cutters; Sharp Edged Pliers; Modeling Knife; Modeling File; Nippers; Drill; Scissors; Sand Paper; Soft Cloth; Cyanoacrylate Glue.
- * Make sure to read this instruction listed below before assembling.
- * The kit contains the small parts, they can be dangerous if swallowed by mistake, so keep them away from reach of children.
- * Cut the all parts off carefully and remove the waste parts into the garbage can.
- * More caution and care should be needed for cutting and handling the photo etched parts.
- * Make attention that some parts should be attached the decal when assembled.
- * During assembling, please tear up and throw away the plastic bags, or may cause the dangerous if wearing over head by children's mistake.
- * When using the adhesives and paints, please do not use them in the closed room or near the fire, also must be very careful to protect your eyes, face and clothes.
- * Adult supervised when assembled by children under 14 years old.

装配前请仔细阅读:

- * 推荐使用的模型工具(请自备):
专用模型胶水, 专用模型油漆, 水口剪刀, 长咀钳, 刀片, 锉刀, 镊子钳, 钻, 剪刀, 软布, 砂纸, 瞬间快干胶等。
- * 用水口剪刀或刀片小心切下所有塑胶零件和蚀刻片零件, 不要遗失小零件。
- * 切取蚀刻片时应特别注意防止利边划伤手指。
- * 用模型锉刀小心锉平所有零件表面的注射浇口。
- * 用适量的强力快干胶水粘合蚀刻片零件和金属轴, 切忌过量, 否则可能导致可动零件被粘住。
- * 注意某些零件表面需在装配时同步贴水上贴纸。
- * 制作时应远离幼儿并将包装袋及时收妥, 谨防小孩玩耍而引起意外。



cyanoacrylate glue
强力胶



weight
配重



make hole
钻孔



cut / remove
切除



option
选择



no cement
不涂胶水



decal
贴纸



bend
弯曲



repair
填补

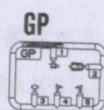
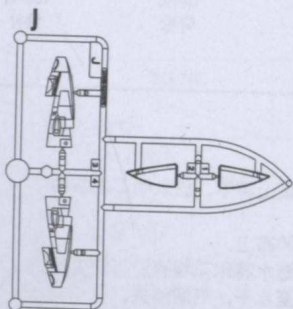
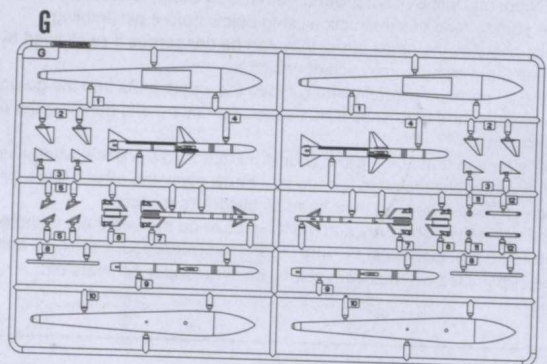
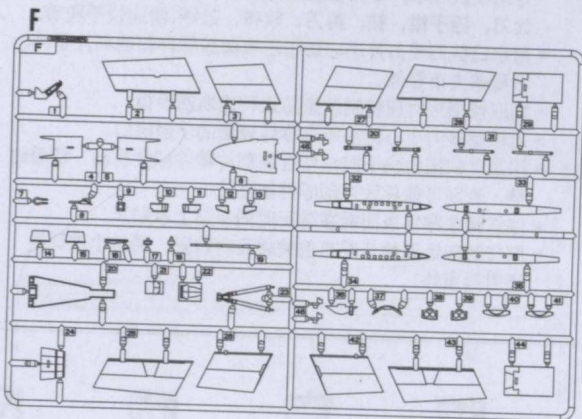
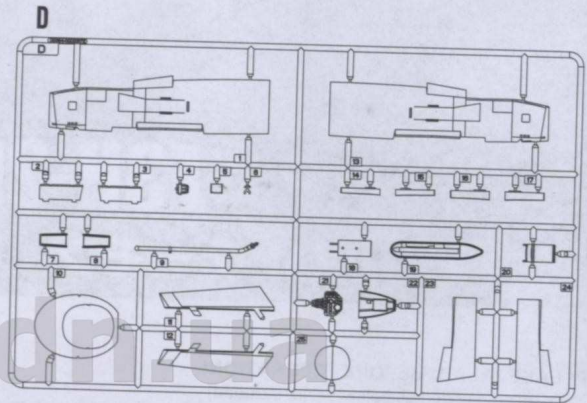
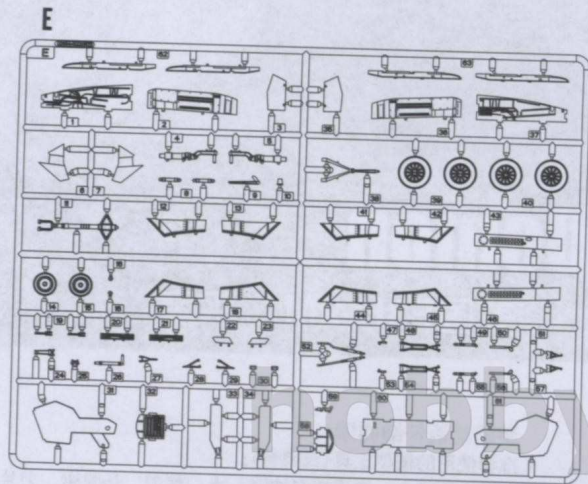
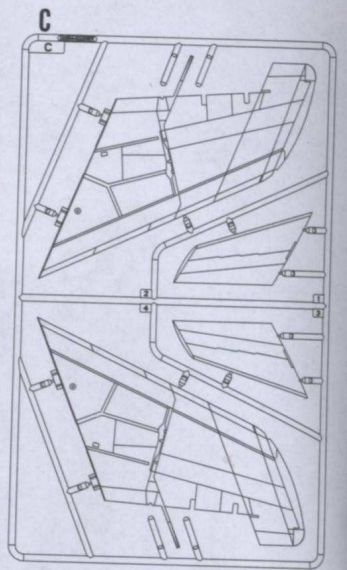
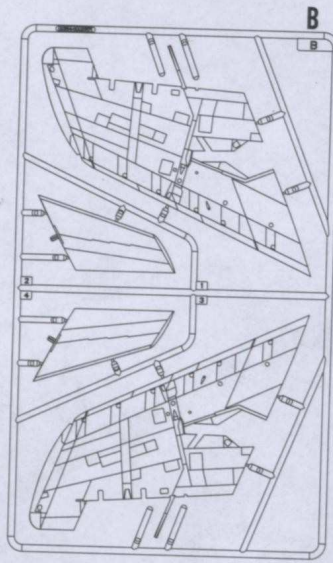
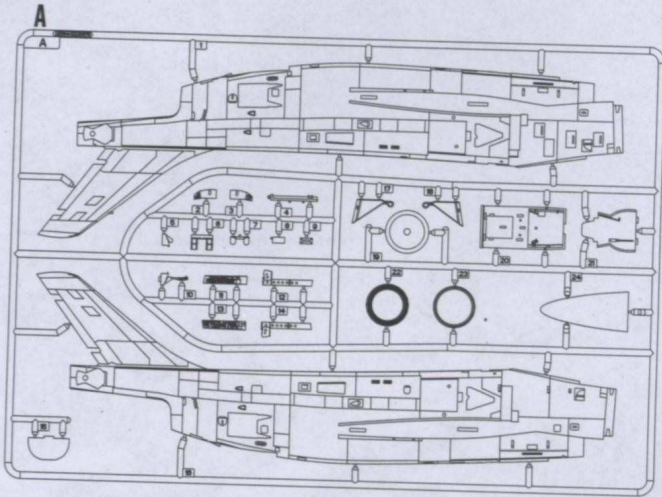
The method to apply the decals

1. Cut off the decal from the decal paper and put it into the warm water 40°C for 10 seconds.
2. Take the decal from the water and put it on a piece of clean cloth.
3. Remove the decal slowly from the paper to the targeted location by a wet finger.
4. Use a piece of dry and soft cloth to press it gently on the decal until it getting dry and no bubble existing.

水贴纸的使用方法:

- 一. 把相关的印花从水贴上剪下, 放入40°C左右的温水中浸10秒。
- 二. 然后将印花放在干净的布上。
- 三. 拿上印花纸板, 手指蘸水将印花移到适当的位置。
- 四. 用软干布轻压印花直至水干, 气泡消失。

部品图 Parts



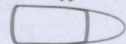
《风挡》

Windscreen



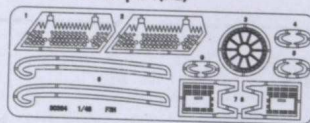
《座舱盖》

Canopy



《蚀刻片》

Photo etched part (PE)

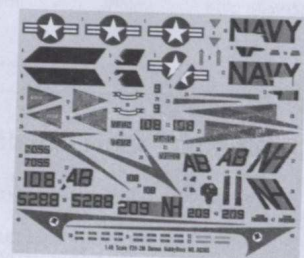


不用的部件: GP2

Unused parts

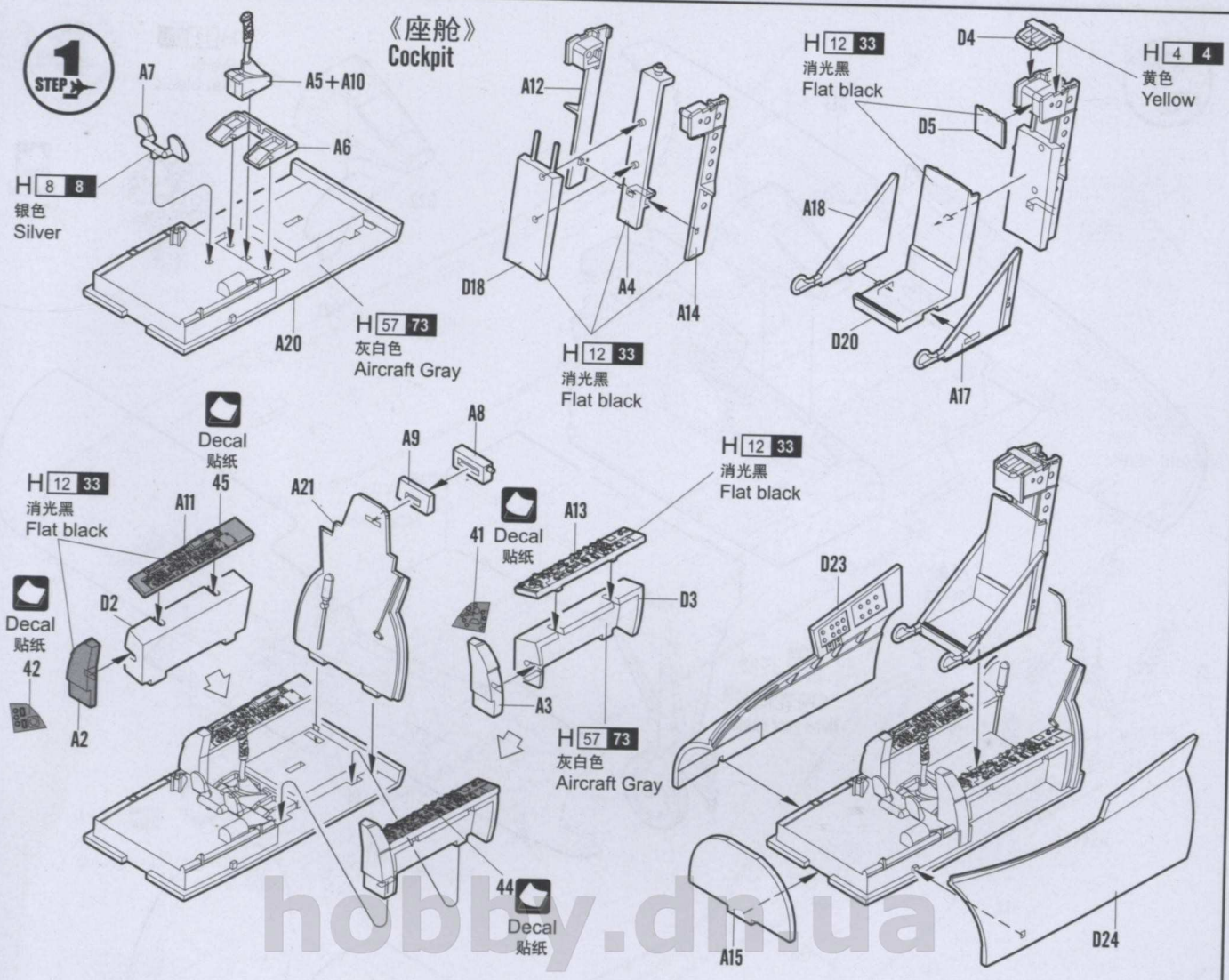
《水贴》

Decal



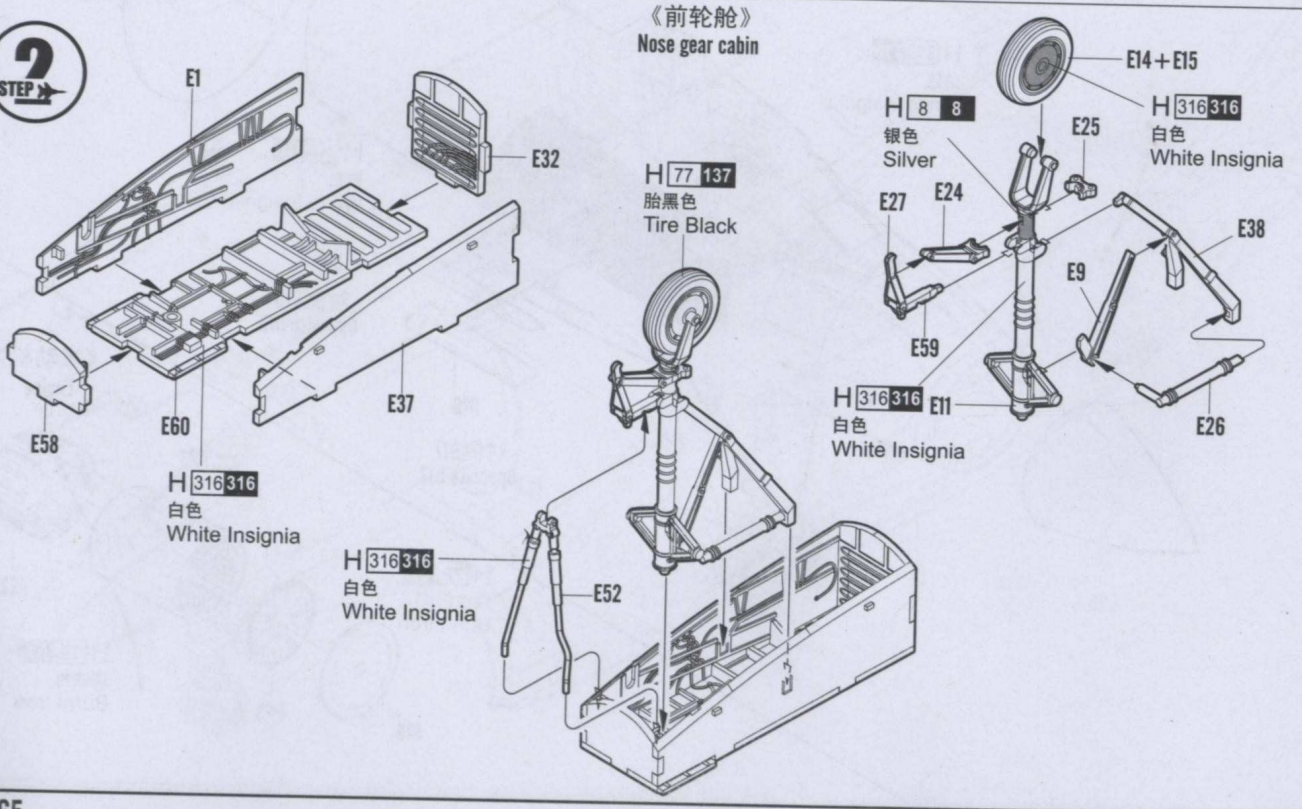
1
STEP

《座舱》
Cockpit

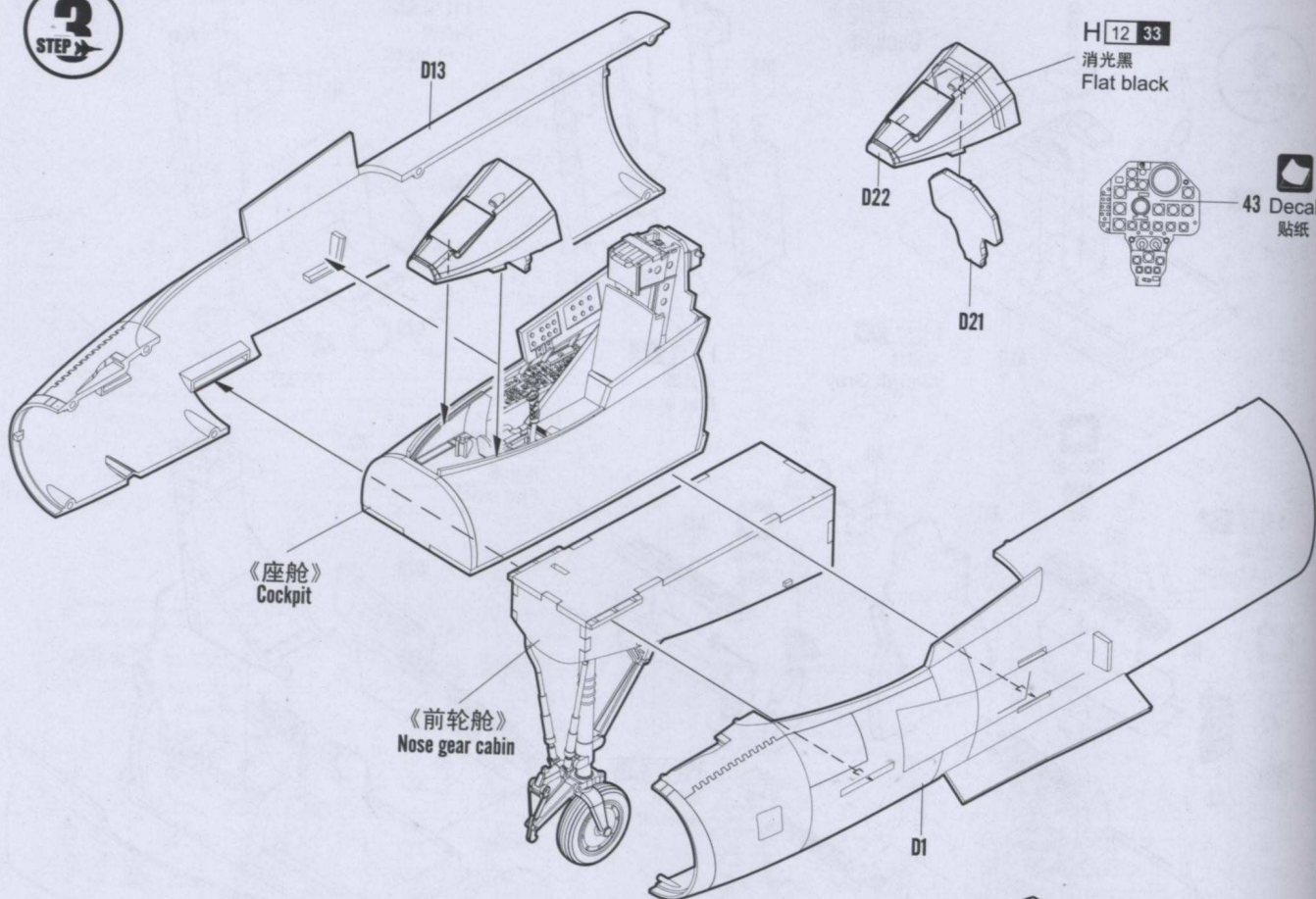


2
STEP

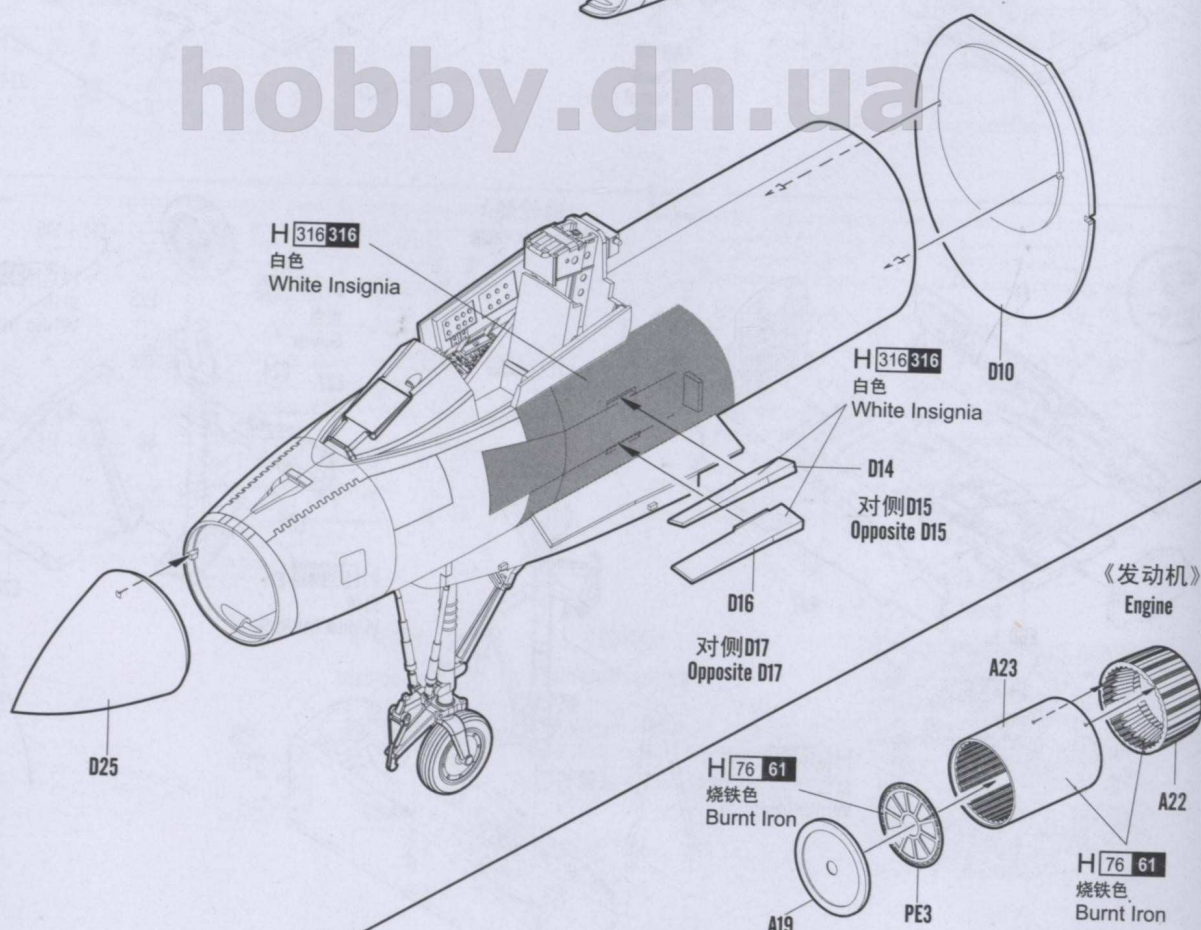
《前轮舱》
Nose gear cabin



3
STEP

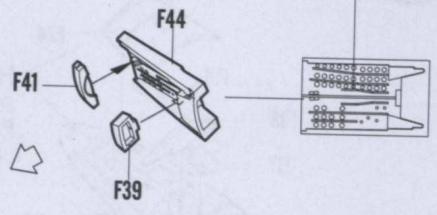


hobby.dn.ua

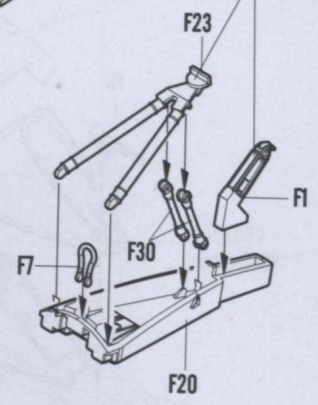




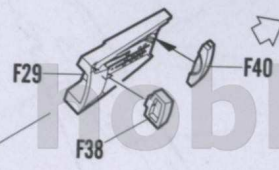
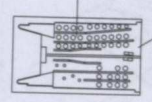
H 316316
白色
White Insignia



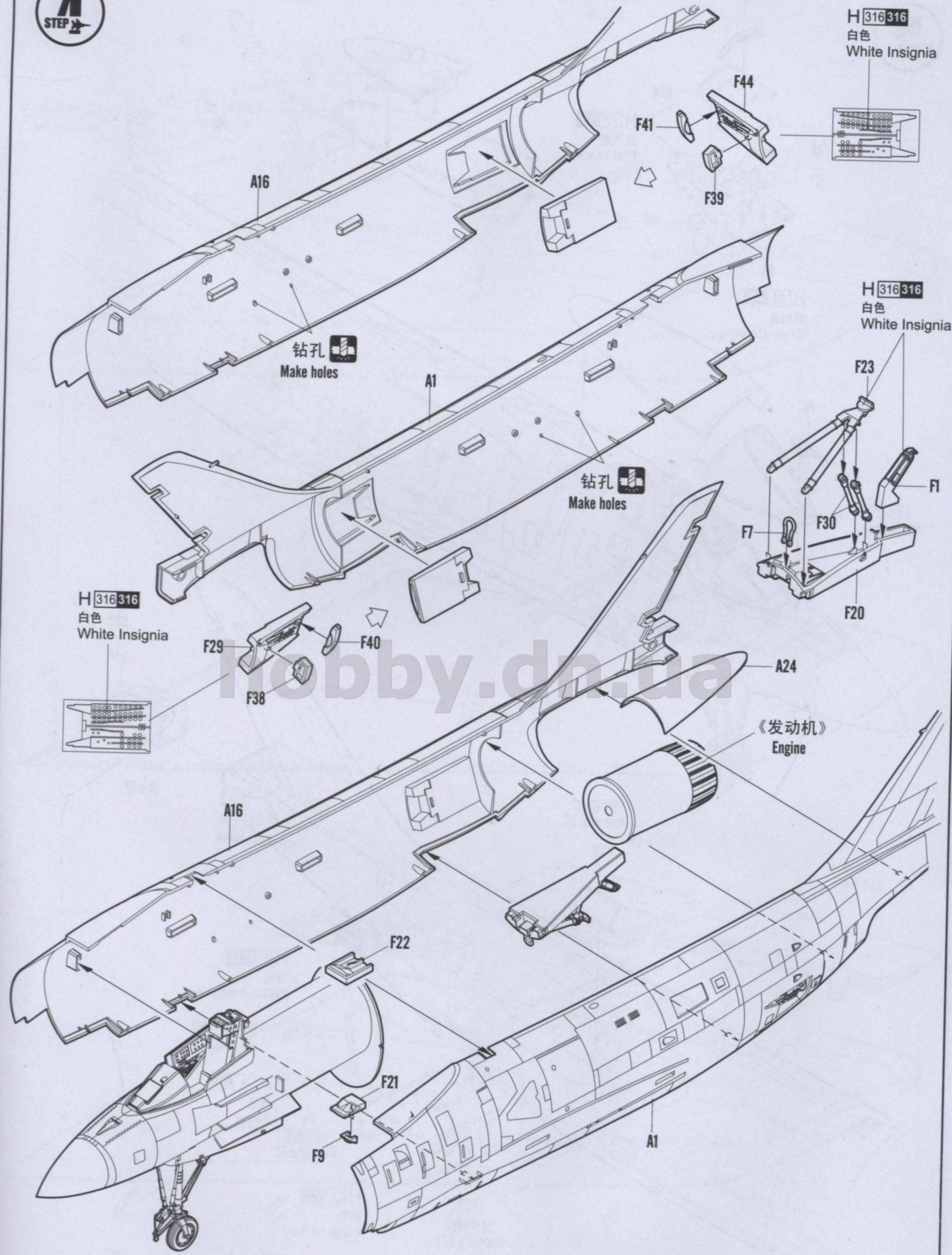
H 316316
白色
White Insignia



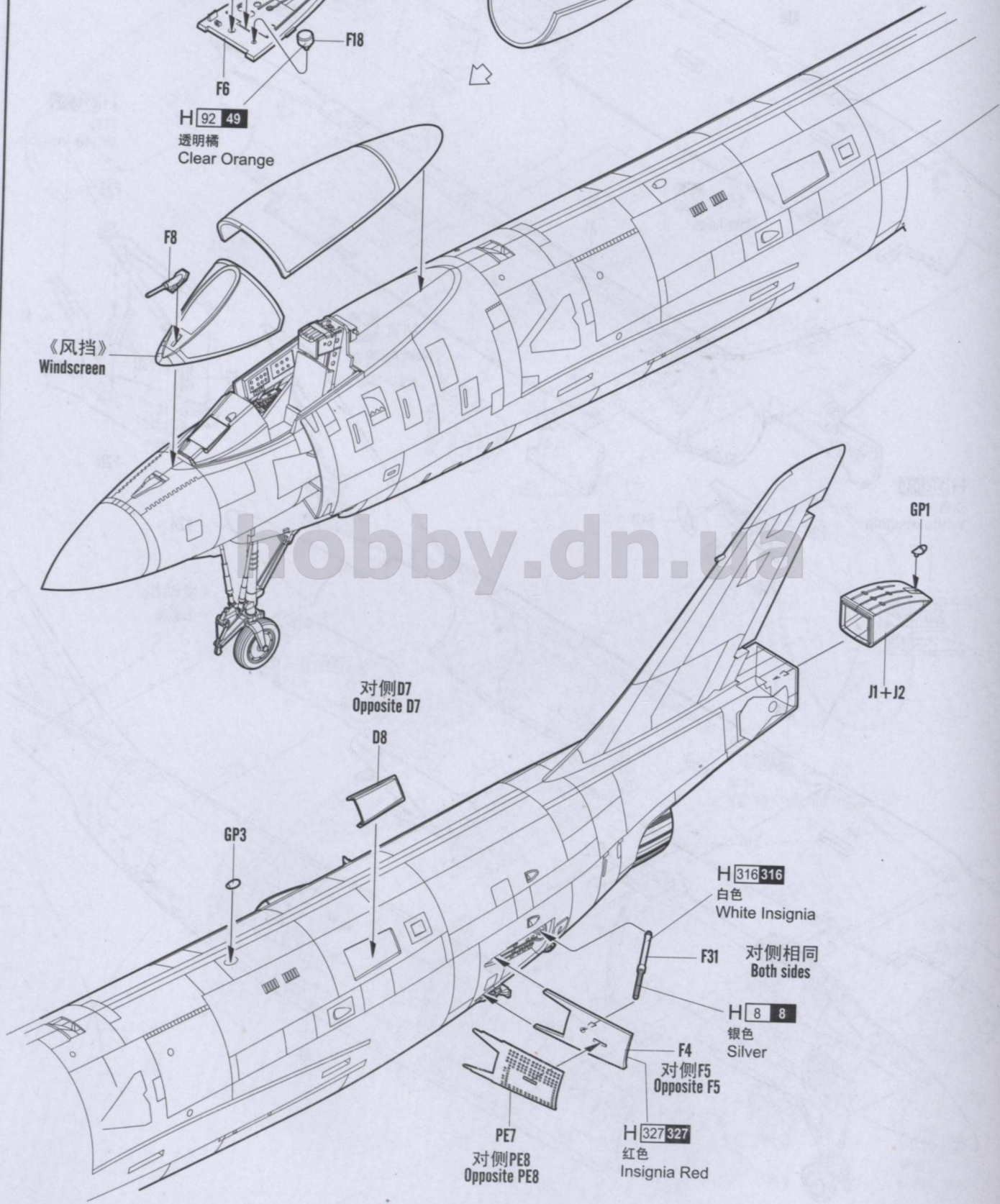
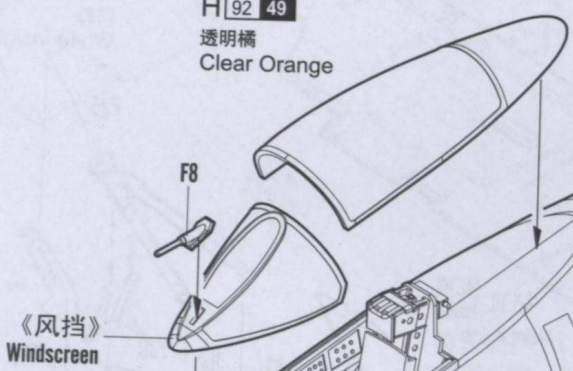
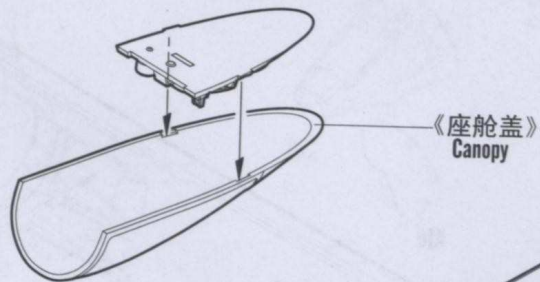
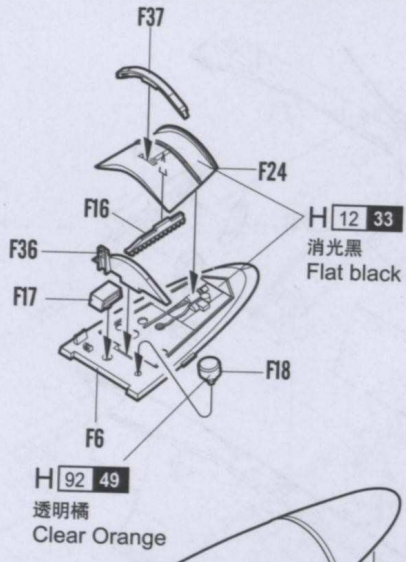
H 316316
白色
White Insignia



《发动机》
Engine



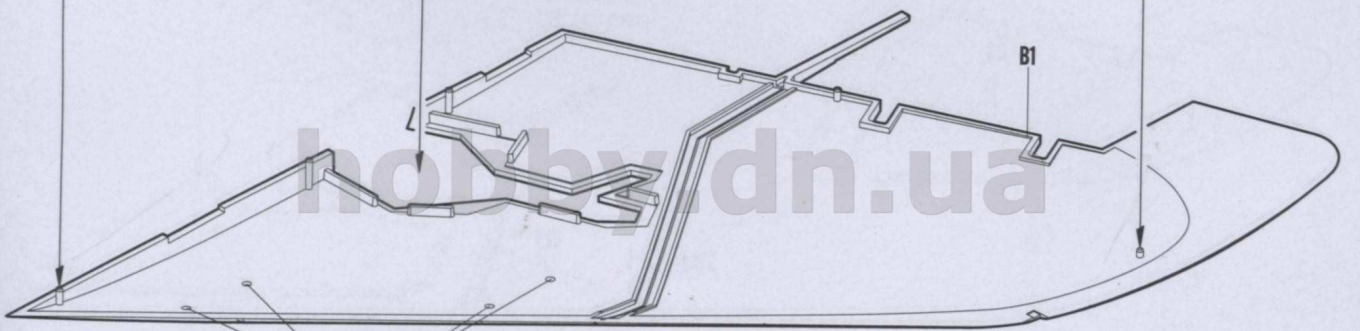
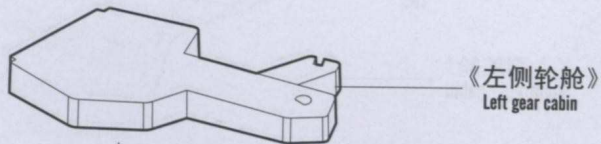
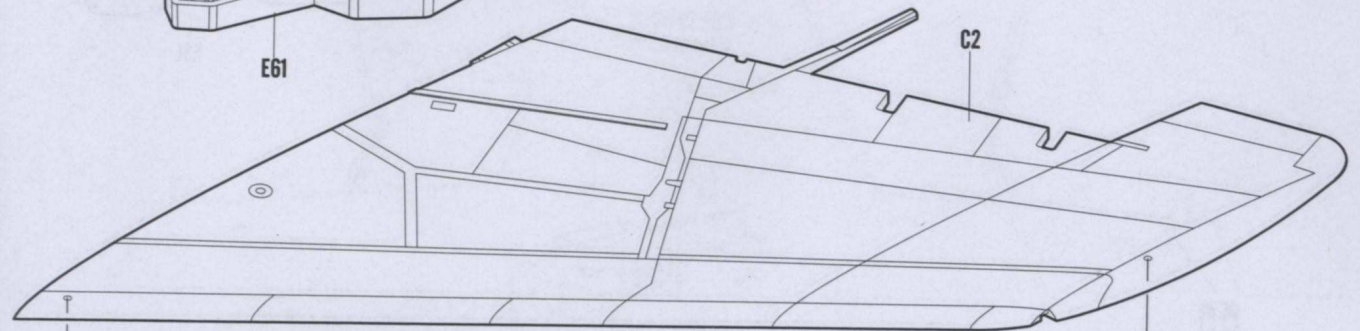
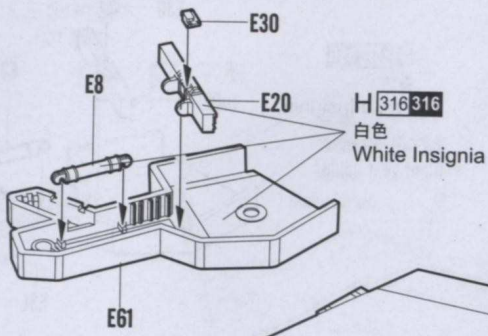
5
STEP



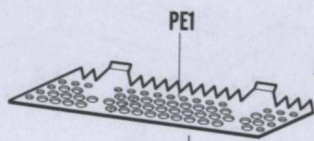


《左侧机翼》
Left wing

《左侧轮舱》
Left gear cabin

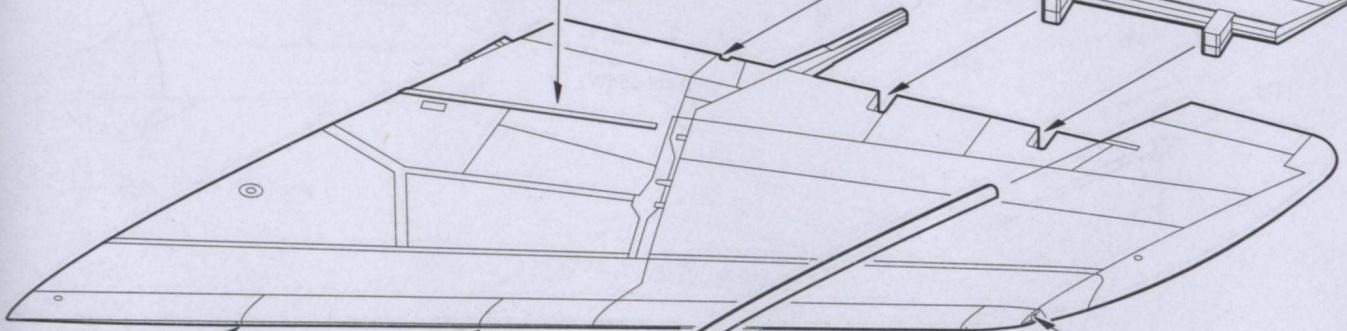
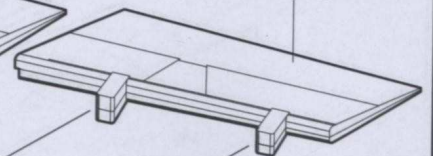
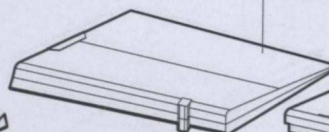


钻孔
Make holes



F3 + F26

F2 + F25



PE5

PE4

PE6

PE9

GP4



《左侧机翼》
Left wing

切割
Cut

钻孔
Make holes

切割
Cut

《左侧轮舱》
Left gear cabin

B1

C2

E8

E30

E20

E61

《左侧轮舱》
Left gear cabin

F34

H 316316
白色
White Insignia

F2 + F25

PE1

F3 + F26

H 316316
白色
White Insignia

PE6

PE9

GP4

PE5

PE4

《折叠状态》
Folding

F45



《右侧机翼》
Right wing

切割
Cut

切割
Cut

钻孔
Make holes

钻孔
Make hole

《右侧轮舱》
Right gear cabin

E30

E8

E21

E31

B3

C4

《右侧轮舱》
Right gear cabin

F19

F32

F35

hobby.dn.ua

F28 + F43

PE2

F27 + F42

GP5

PE9

PE6

PE4

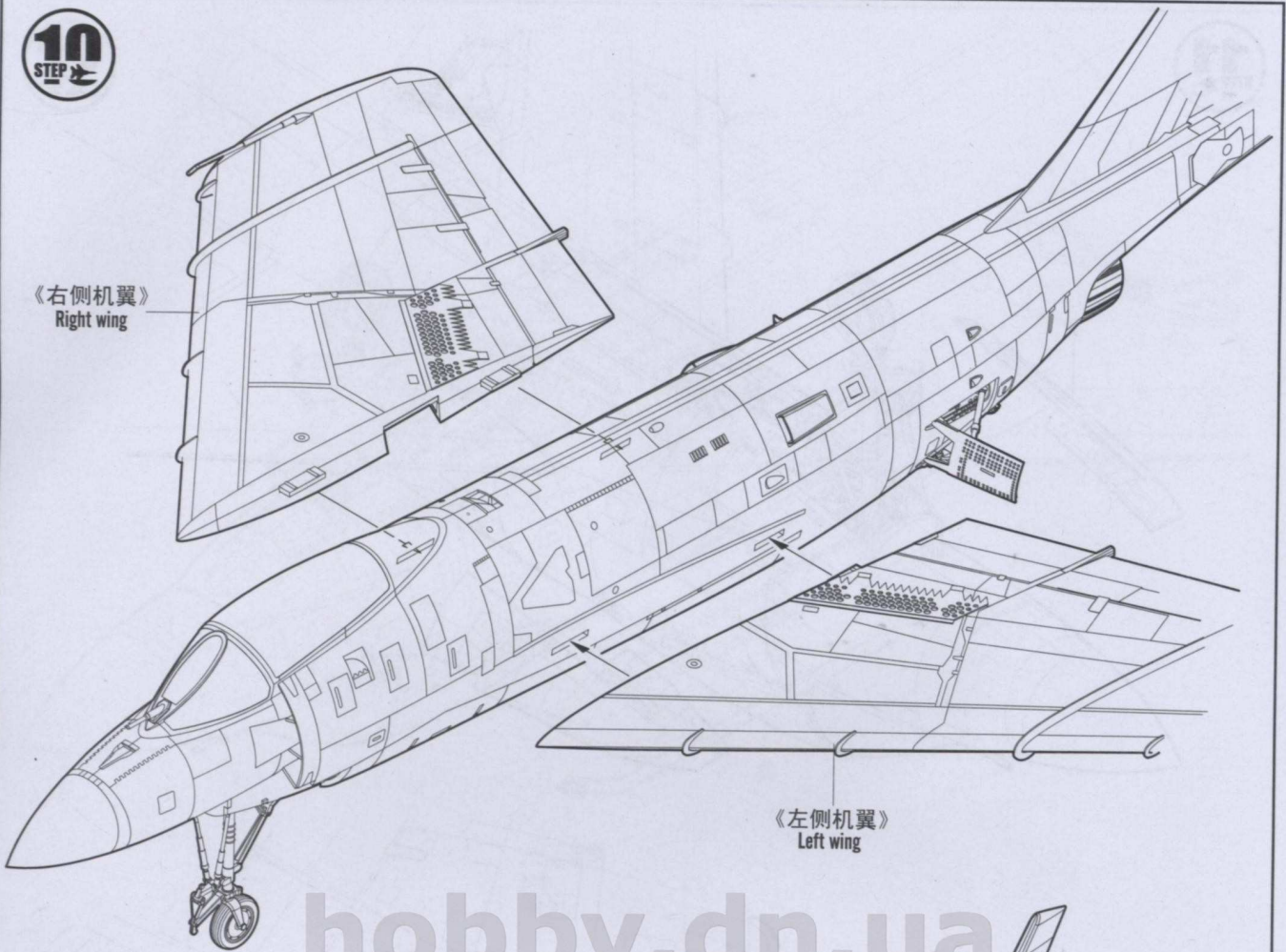
PE5

《折叠状态》
Folding

F46

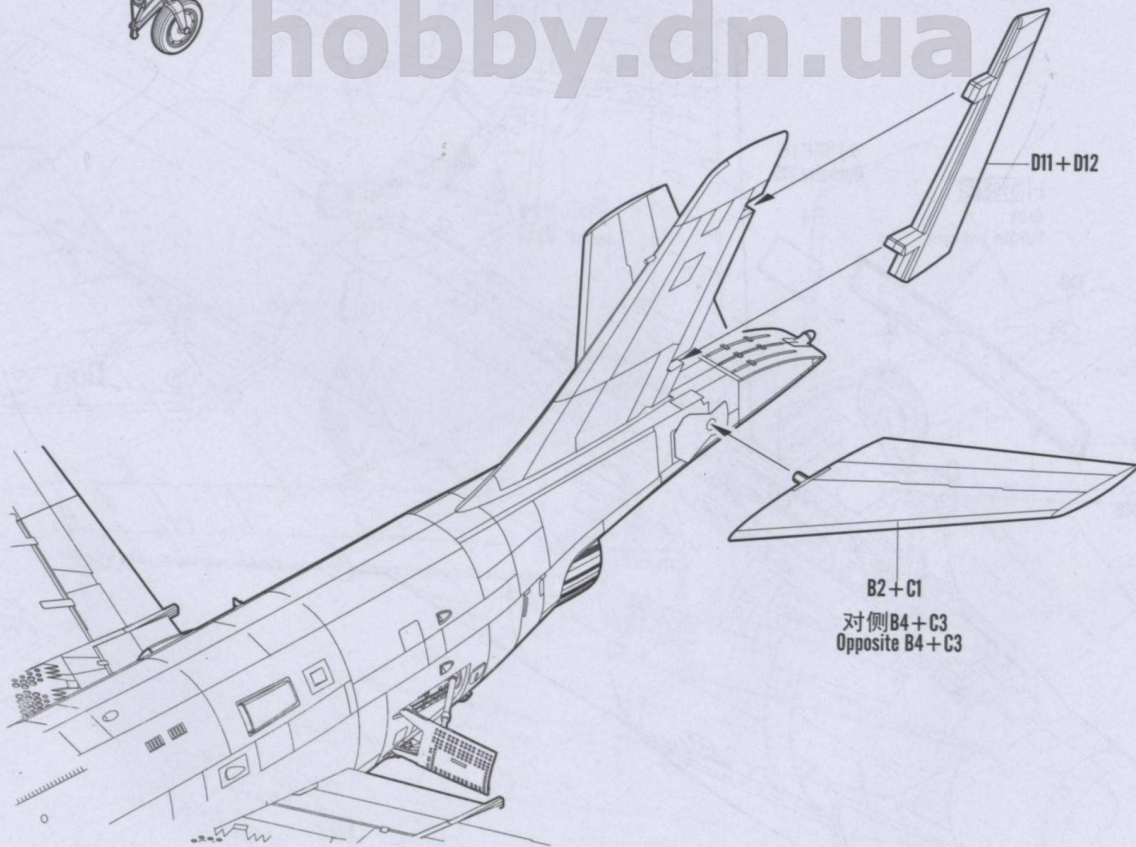
10
STEP

《右侧机翼》
Right wing



《左侧机翼》
Left wing

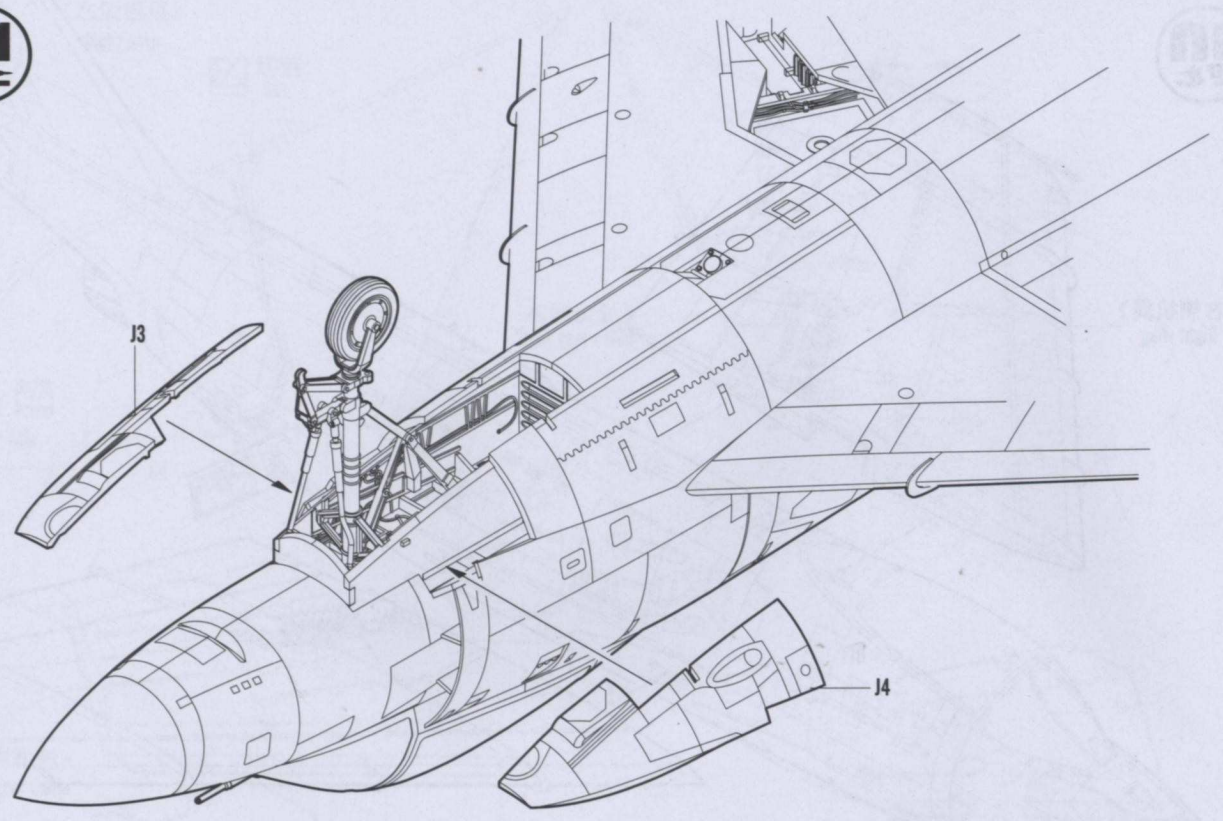
hobby.dn.ua



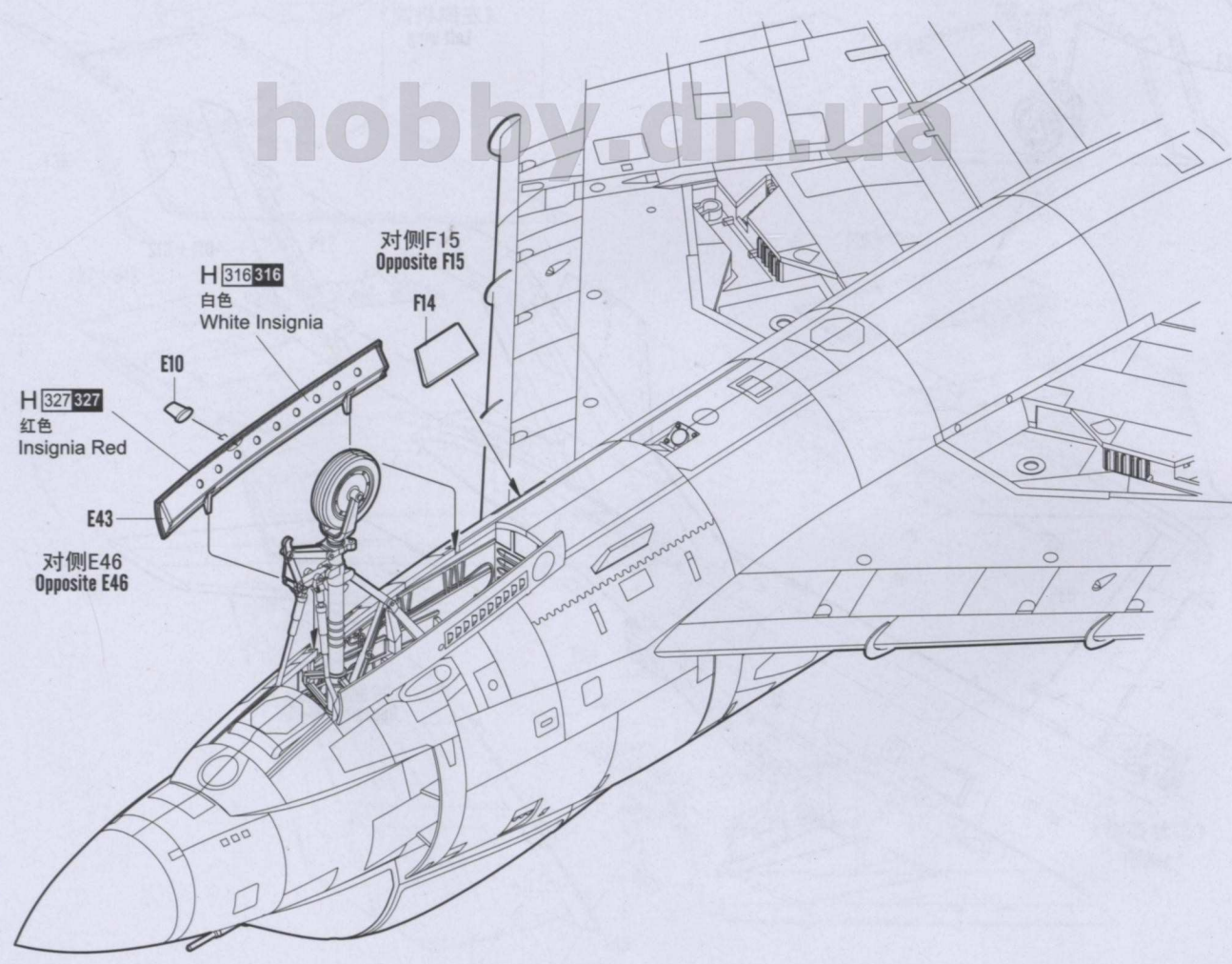
D11 + D12

B2 + C1
对侧 B4 + C3
Opposite B4 + C3

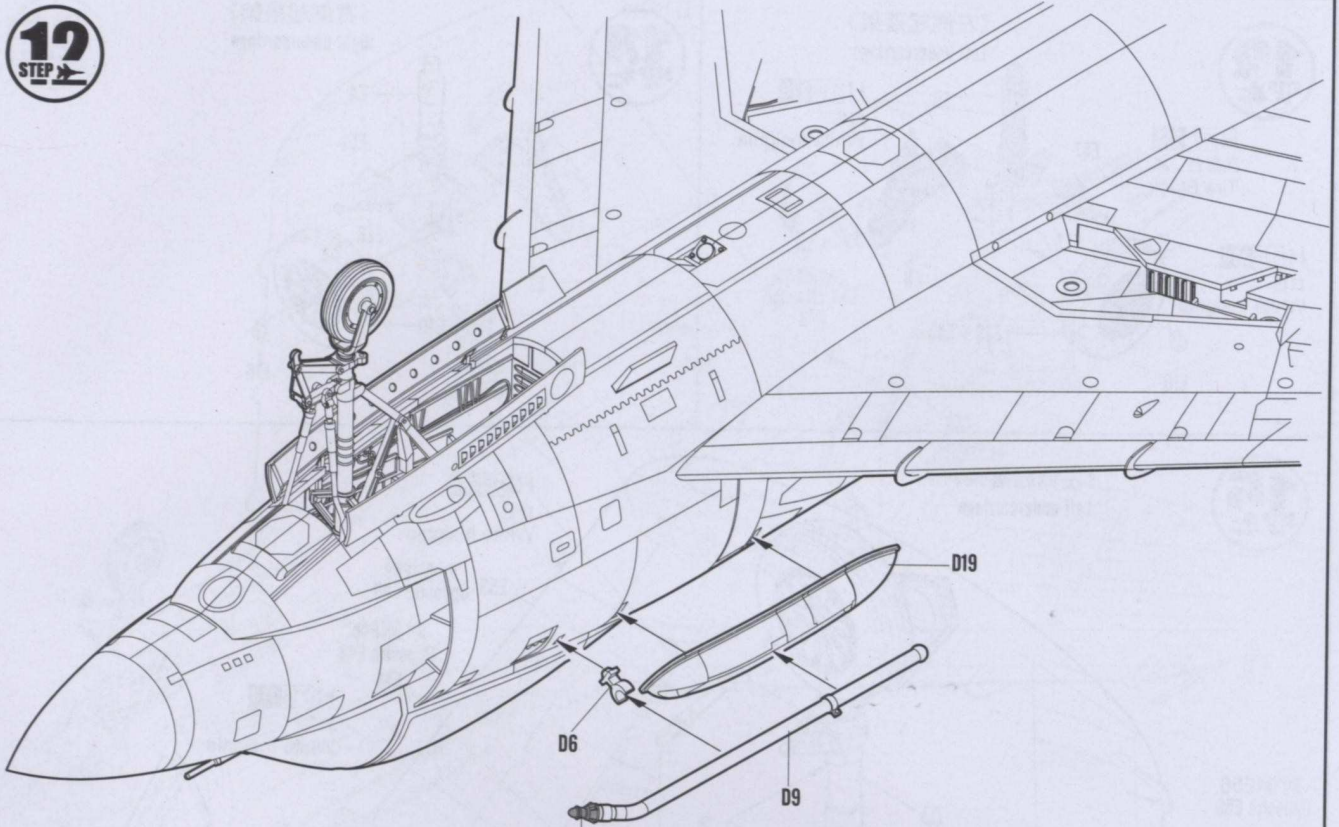
11
STEP



hobby.dn.ua

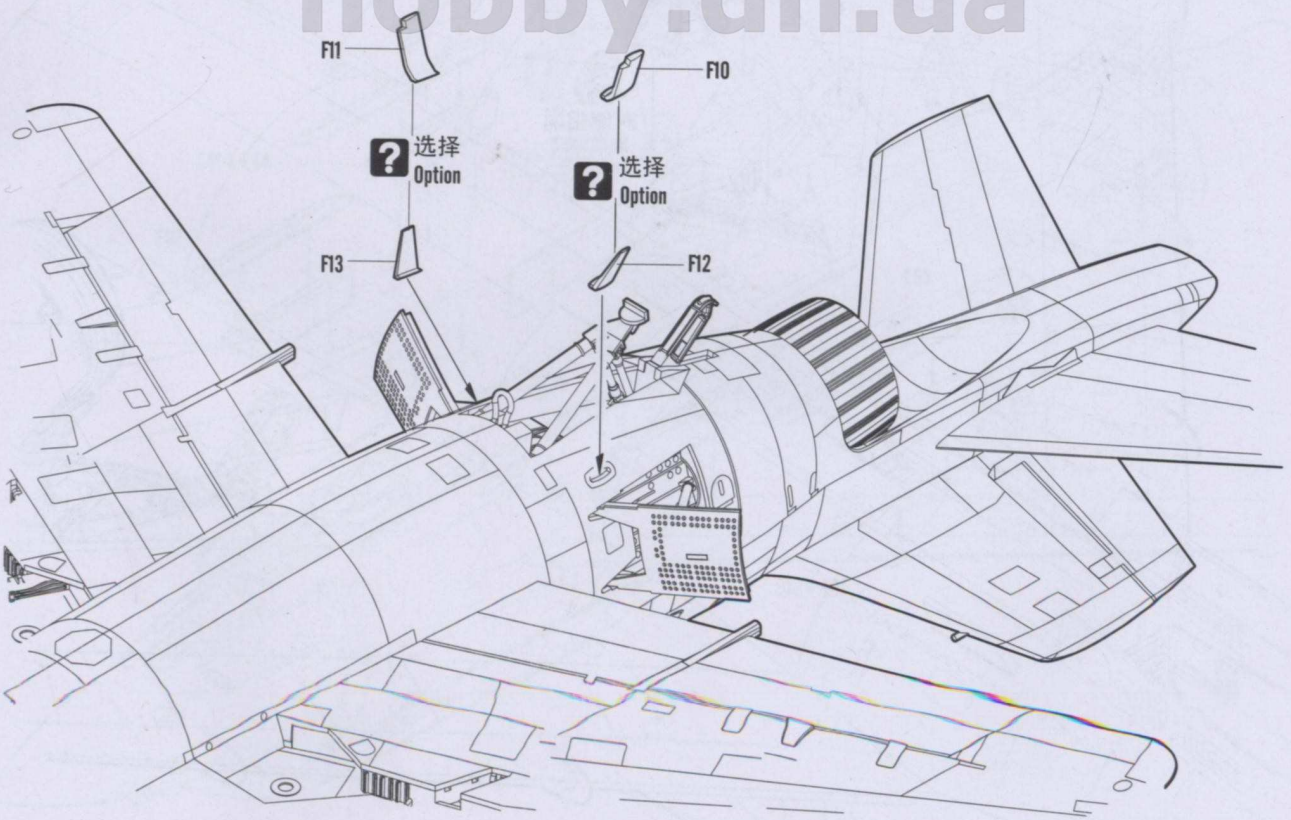


12
STEP



H 8 8
银色
Silver

hobby.dn.ua

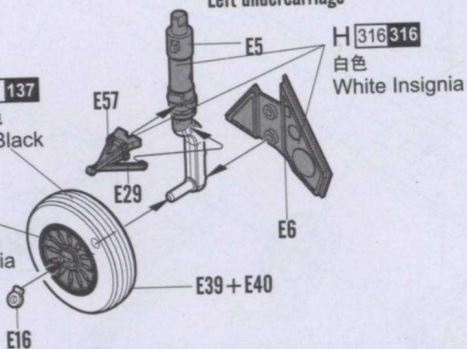


13
STEP

《左侧起落架》
Left undercarriage

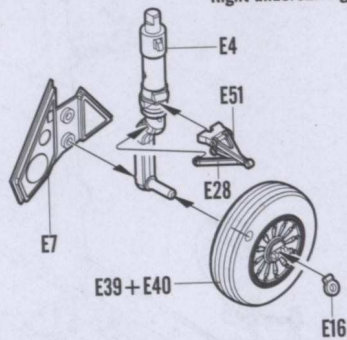
H 77 137
胎黑色
Tire Black

H 316 316
白色
White Insignia



14
STEP

《右侧起落架》
Right undercarriage



15
STEP

《左侧起落架》
Left undercarriage

H 316 316
白色
White Insignia

对侧E49
E55
Opposite E49

对侧E48
Opposite E48
E54

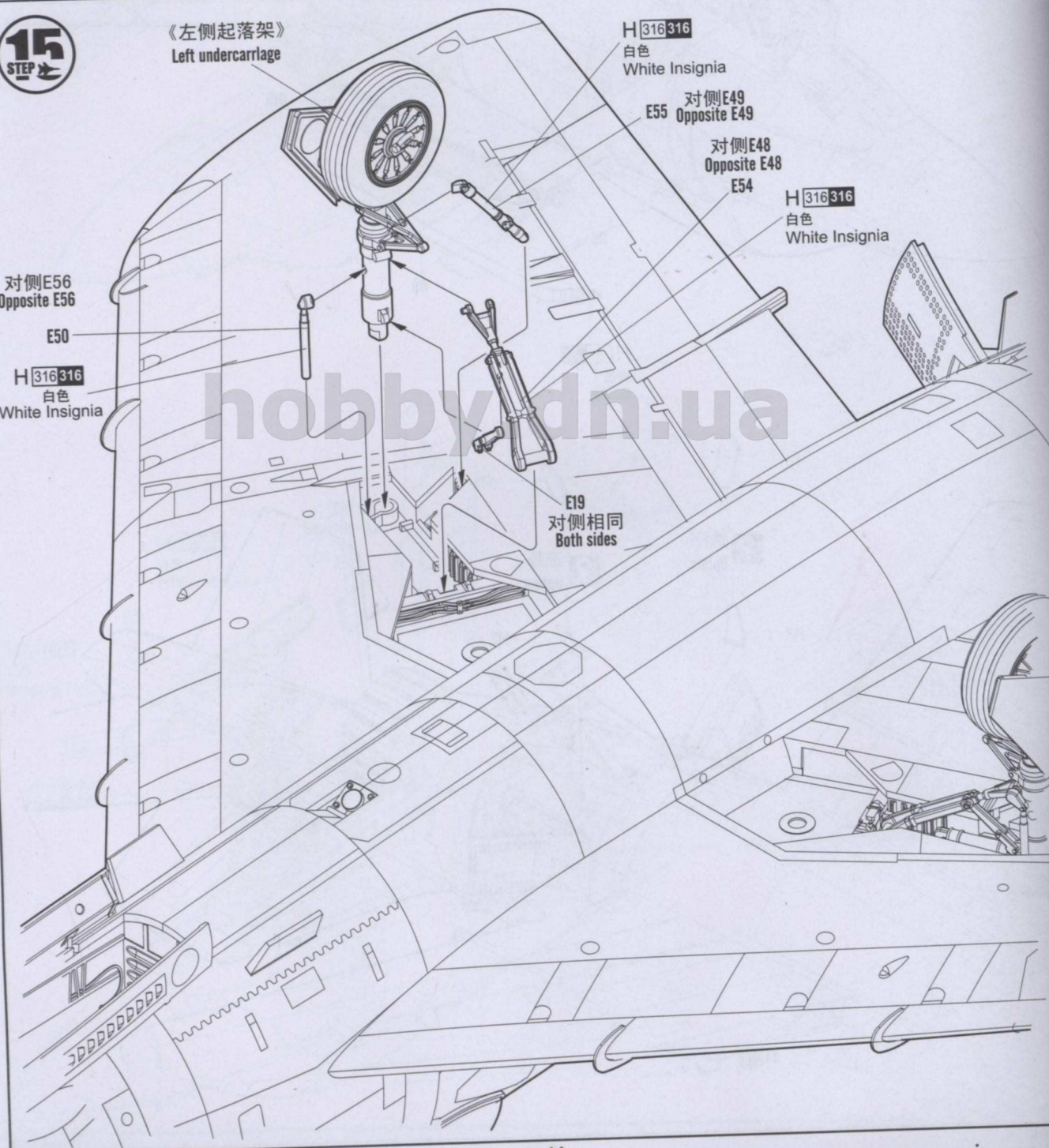
H 316 316
白色
White Insignia

对侧E56
Opposite E56

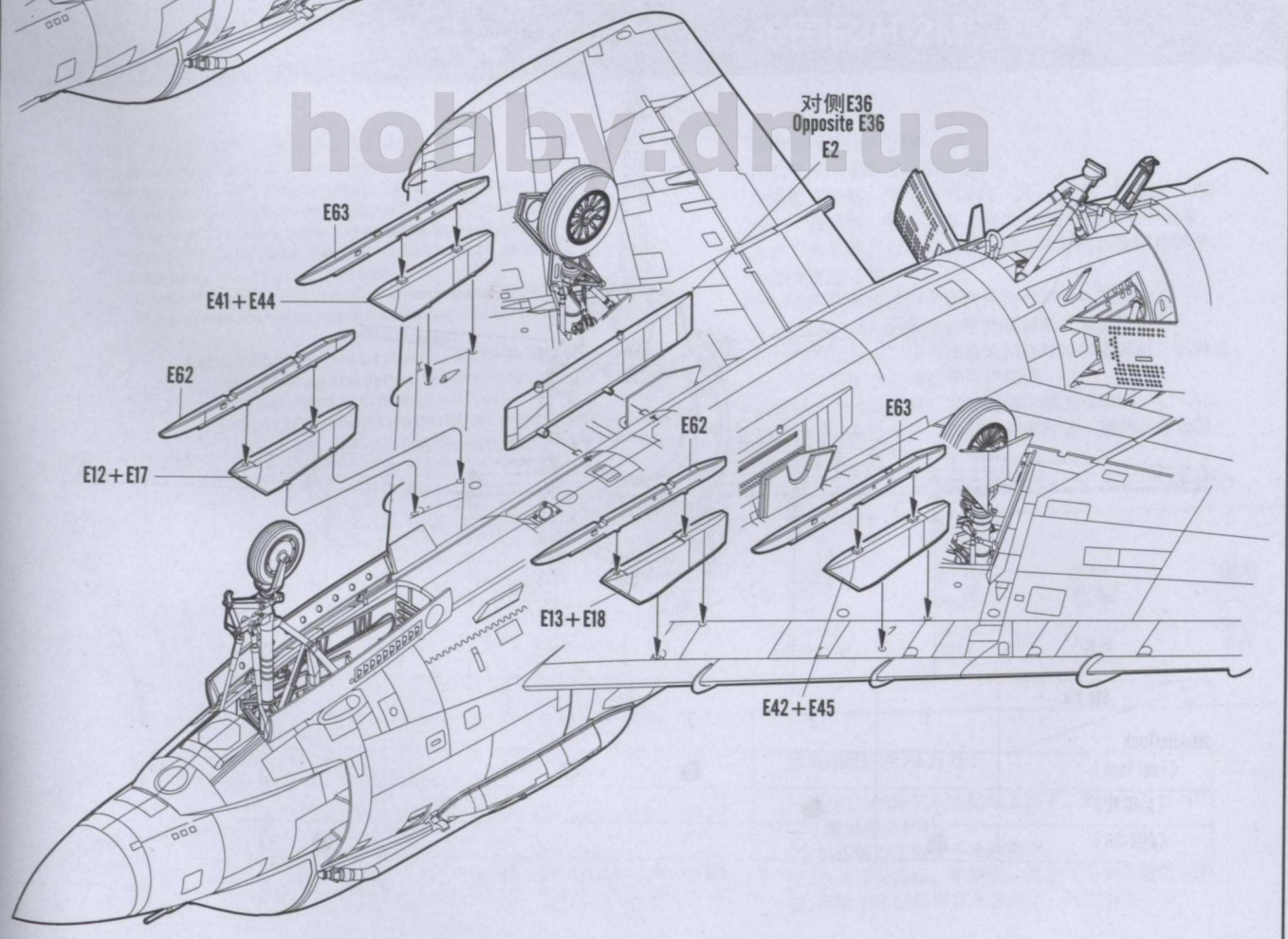
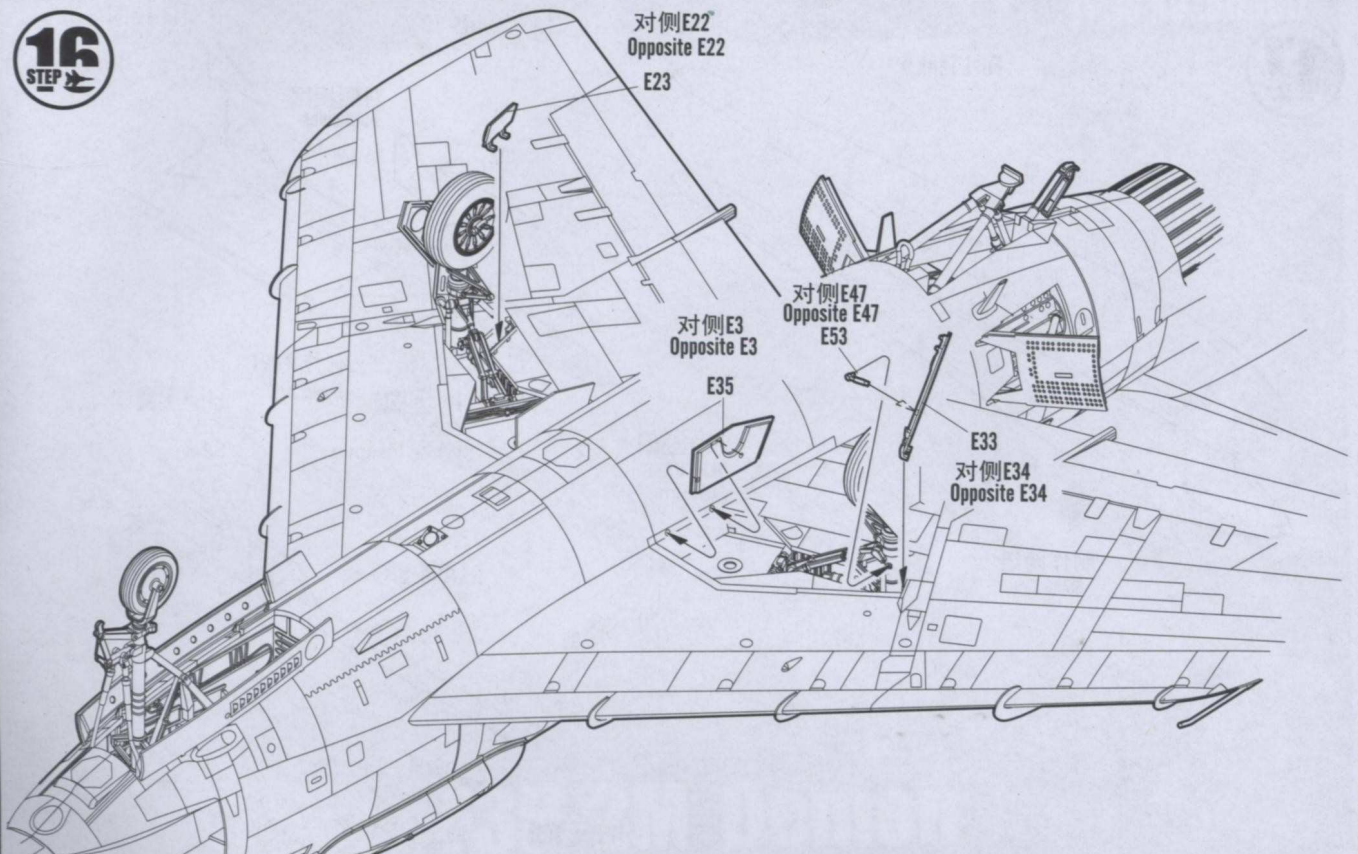
E50

H 316 316
白色
White Insignia

E19
对侧相同
Both sides

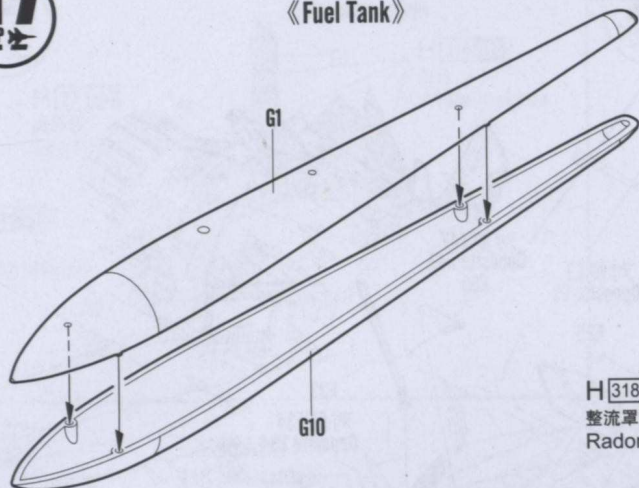


16
STEP



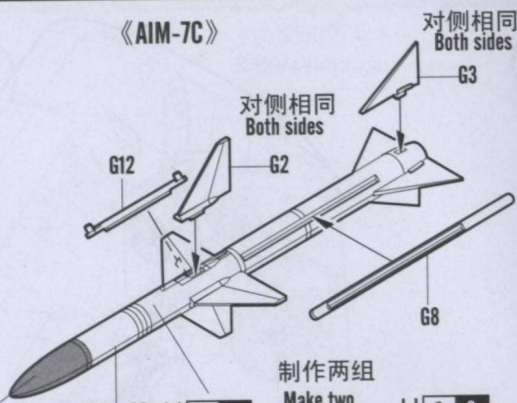
17
STEP

《Fuel Tank》



制作两组
Make two

《AIM-7C》



对侧相同
Both sides

对侧相同
Both sides

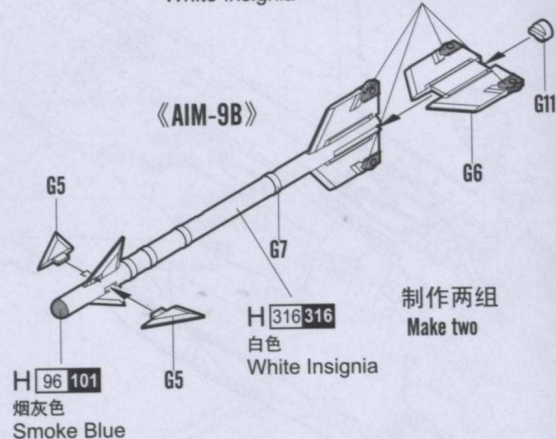
制作两组
Make two

H 318 318
整流罩色
Radome

G4 + G9 H 316 316
白色
White Insignia

H 8 8
银色
Silver

《AIM-9B》

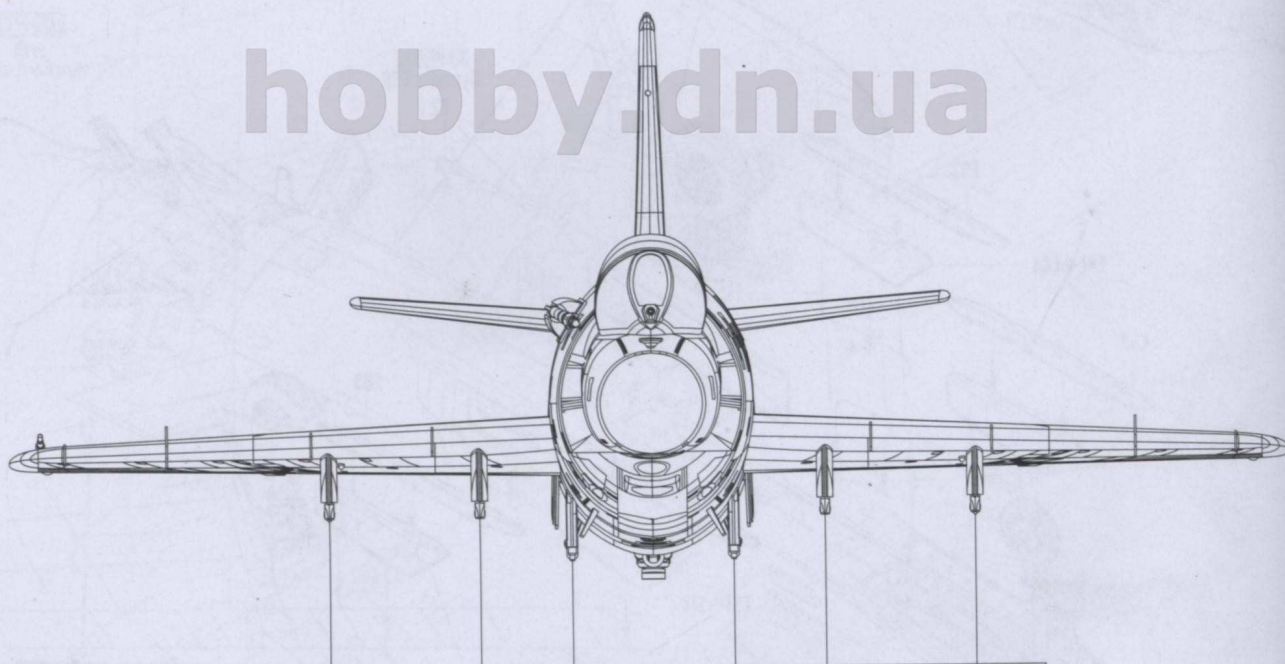


制作两组
Make two

H 96 101
烟灰色
Smoke Blue

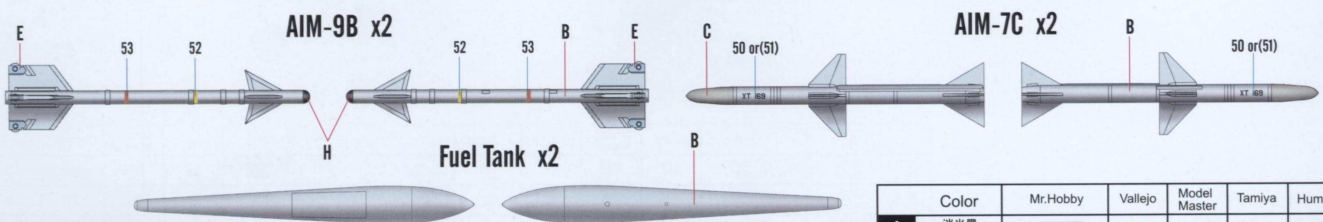
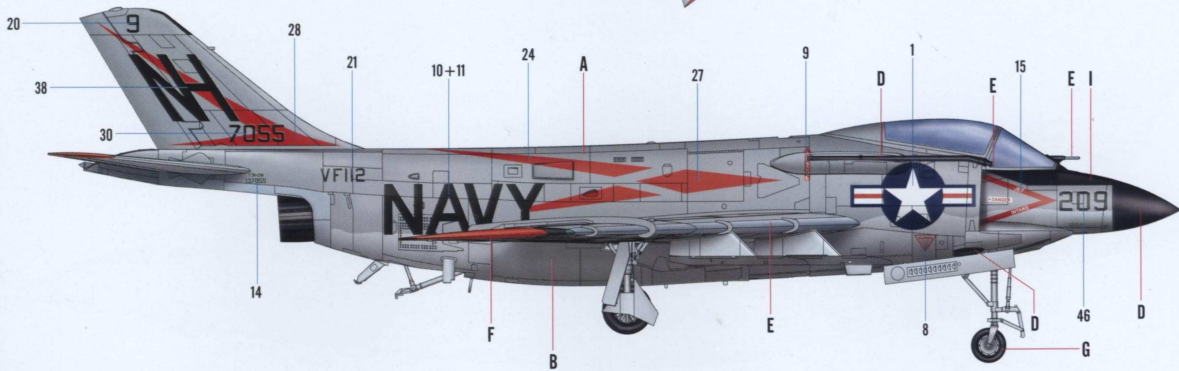
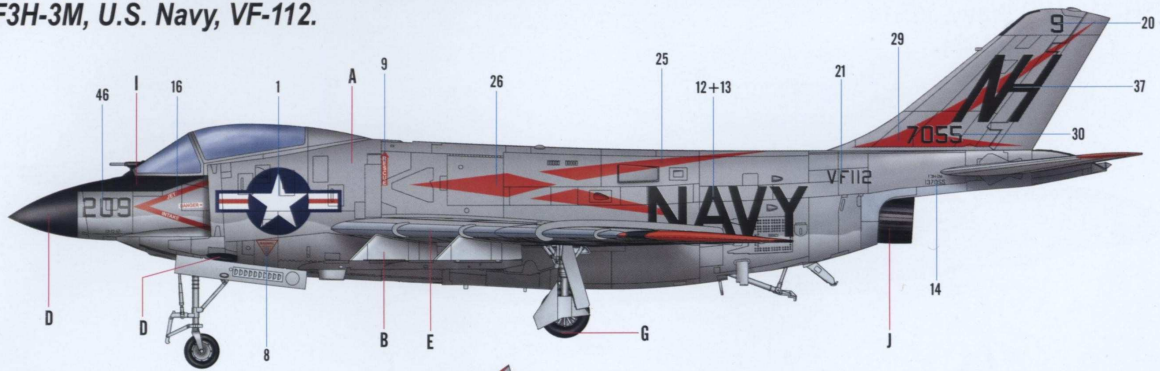
H 316 316
白色
White Insignia

hobby.dn.ua



Sta.No.	1	2	3	4	5	6
Missile/Tank						
《Fuel Tank》			●	●		
《AIM-7C》		●			●	
《AIM-9B》	●					●

II F3H-3M, U.S. Navy, VF-112.

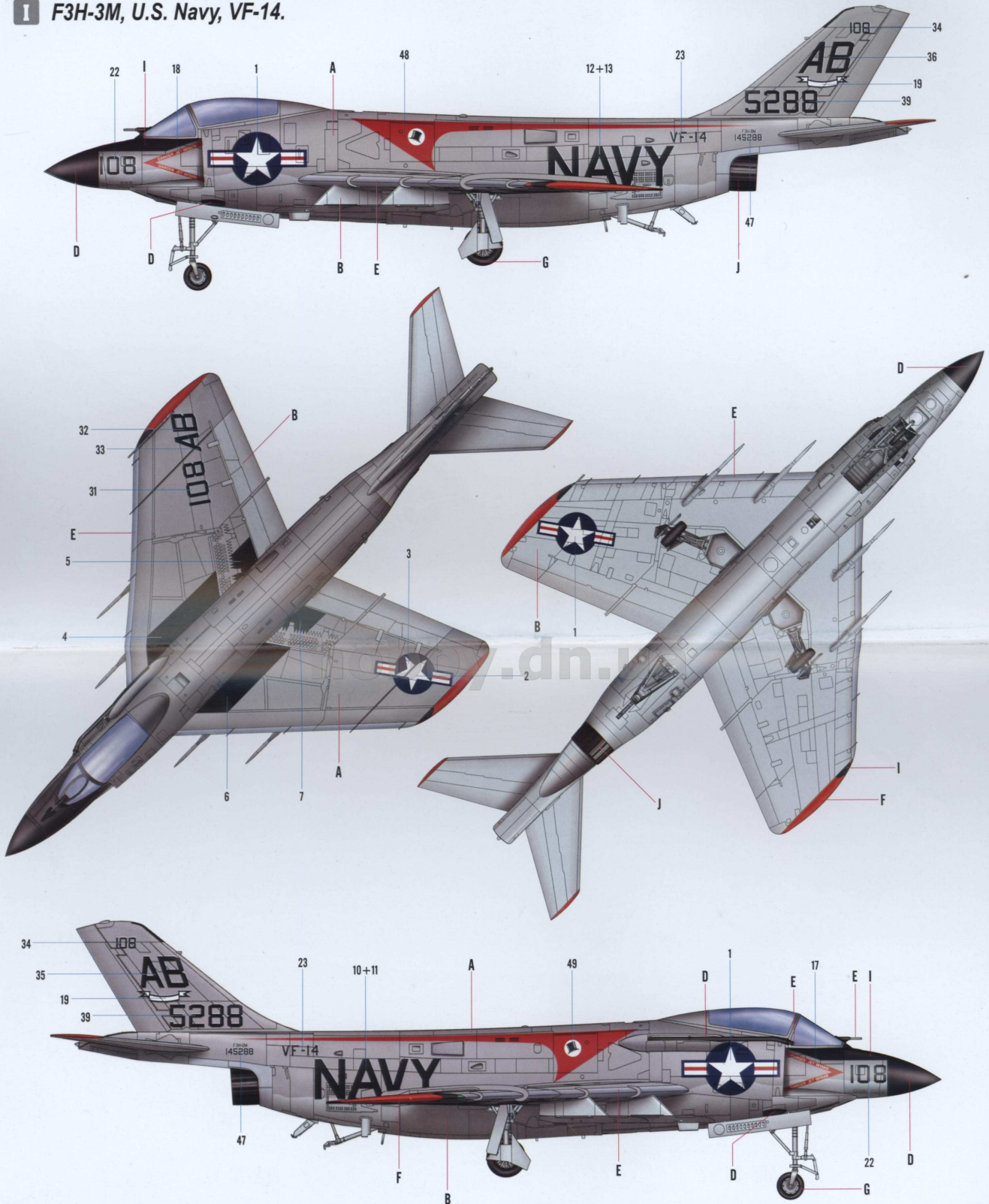


Color	Mr.Hobby	Vallejo	Model Master	Tamiya	Humbrol
I 消光黒 Flat Black	H[12] 33	950	1749	XF1	33
J 烧铁色 Burnt Iron	H[76] 61	863	1795	X10	53

NO.:80365

※Some paints may not be available in your country. Please check your local hobby shop for substitute

I F3H-3M, U.S. Navy, VF-14.



Color	Mr.Hobby	Vallejo	Model Master	Tamiya	Humbrol	Color	Mr.Hobby	Vallejo	Model Master	Tamiya	Humbrol
A 灰色 Light Grey	H 815 315	843	1730	--	129	E 银色 Silver	H 81 8	997	1546	X11	11
B 白色 White Hessgia	H 816 316	991	1745	X2	22	F 红色 Red	H 3 3	908	1503	X7	19
C 整流罩色 Radome	H 818 318	917	1709	--	148	G 胎黑色 Tyre Black	H 77 137	--	--	--	--
D 黑色 Black	H 2 2	861	1747	X1	21	H 烟灰色 Smoke Blue	H 98 101	--	--	--	--