

Corsair MK.2

イギリス海軍 コルセア Mk.2 英国“海盜”MK.2战斗机

PLEASE READ BEFORE OPERATION!

- * Tools recommended as below: (Not included)
- Adhesives; Paints; Side Cutters; Sharp Edged Pliers; Modeling Knives; Modeling File; Nippers; Drill; Scissors; Sand Paper; Soft Cloth; Cyanoacrylate Glue.
- * Make sure to read this instruction listed below before assembling.
- * The kit contains the small parts, they can be dangerous if swallowed by mistake, so keep them away from reach of children.
- * Cut the all parts off carefully and remove the waste parts into the garbage can.
- * More caution and care should be needed for cutting and handling the photo etched parts.
- * Make attention that some parts should be attached the decal when assembled.
- * During assembling, please tear up and throw away the plastic bags, or may cause the dangerous if wearing over head by children's mistake.
- * When using the adhesives and paints, please do not use them in the closed room or near the fire, also must be very careful to protect your eyes, face and clothes.
- * Adult supervised when assembled by children under 14 years old.

装配前请仔细阅读:

- * 推荐使用的模型工具(请自备):
专用模型胶水, 专用模型油漆, 水口剪刀, 长咀钳, 刀片, 锉刀, 镊子钳, 钻, 剪刀, 软布, 砂纸, 瞬间快干胶等。
- * 用水口剪刀或刀片小心切下所有塑胶零件和蚀刻片零件, 不要遗失小零件。
- * 切取蚀刻片时应特别注意防止利边划伤手指。
- * 用模型锉刀小心锉平所有零件表面的注射浇口。
- * 用适量的强力快干胶水粘合蚀刻片零件和金属轴, 切忌过量, 否则可能导致可动零件被粘住。
- * 注意某些零件表面需在装配时同步贴水上水贴纸。
- * 制作时应远离幼儿并将包装袋及时收妥, 谨防小孩玩耍而引起意外。



cyanoacrylate glue
强力胶



weight
配重



make hole
钻孔



cut / remove
切除



option
选择



no cement
不涂胶水



decal
贴纸



bend
弯曲



repair
填补

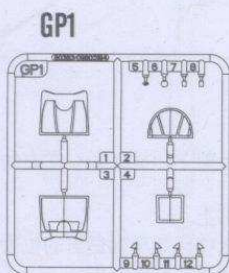
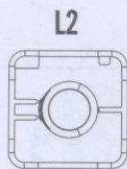
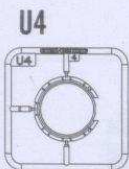
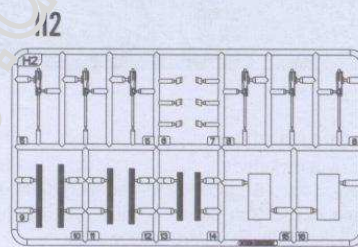
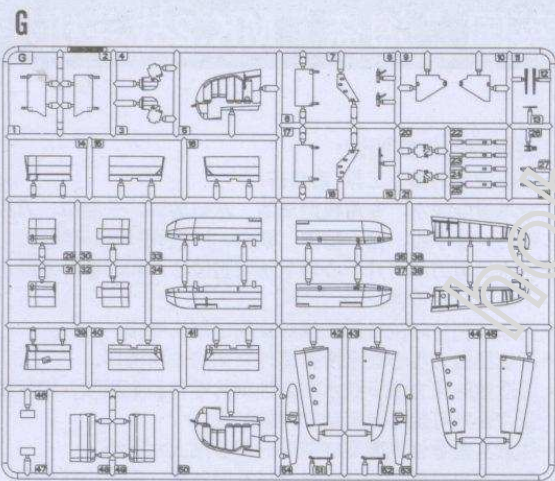
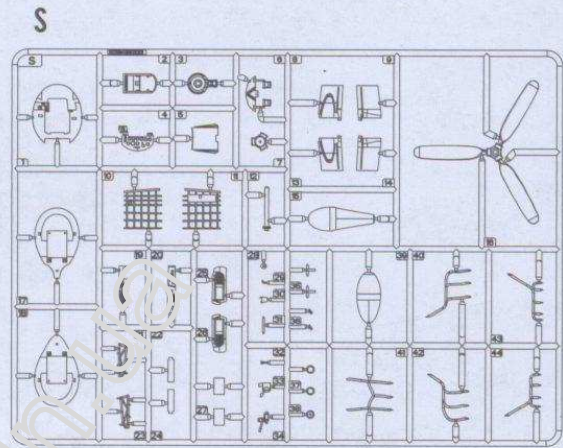
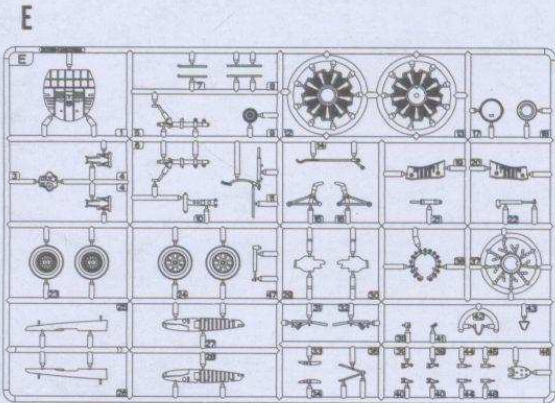
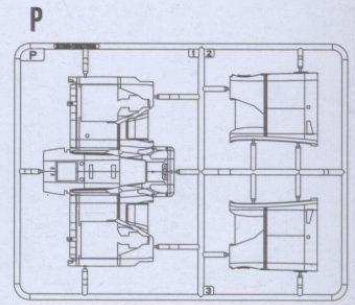
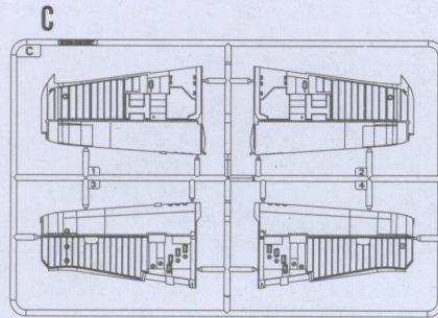
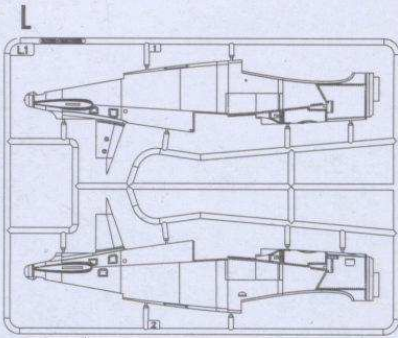
The method to apply the decals

1. Cut off the decal from the decal paper and put it into the warm water 40°C for 10 seconds.
2. Take the decal from the water and put it on a piece of clean cloth.
3. Remove the decal slowly from the paper to the targeted location by a wet finger.
4. Use a piece of dry and soft cloth to press it gently on the decal until it getting dry and no bubble existing.

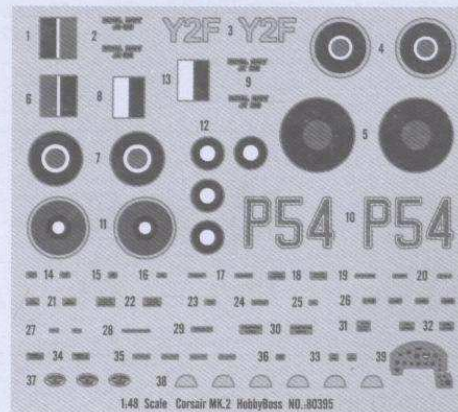
水贴纸的使用方法:

- 一. 把相关的印花从水贴纸上剪下, 放入40°C左右的温水中浸10秒。
- 二. 然后将印花放在干净的布上。
- 三. 拿上印花纸板, 手指蘸水将印花移到适当的位置。
- 四. 用软干布轻压印花直至水干, 气泡消失。

部品图
Parts

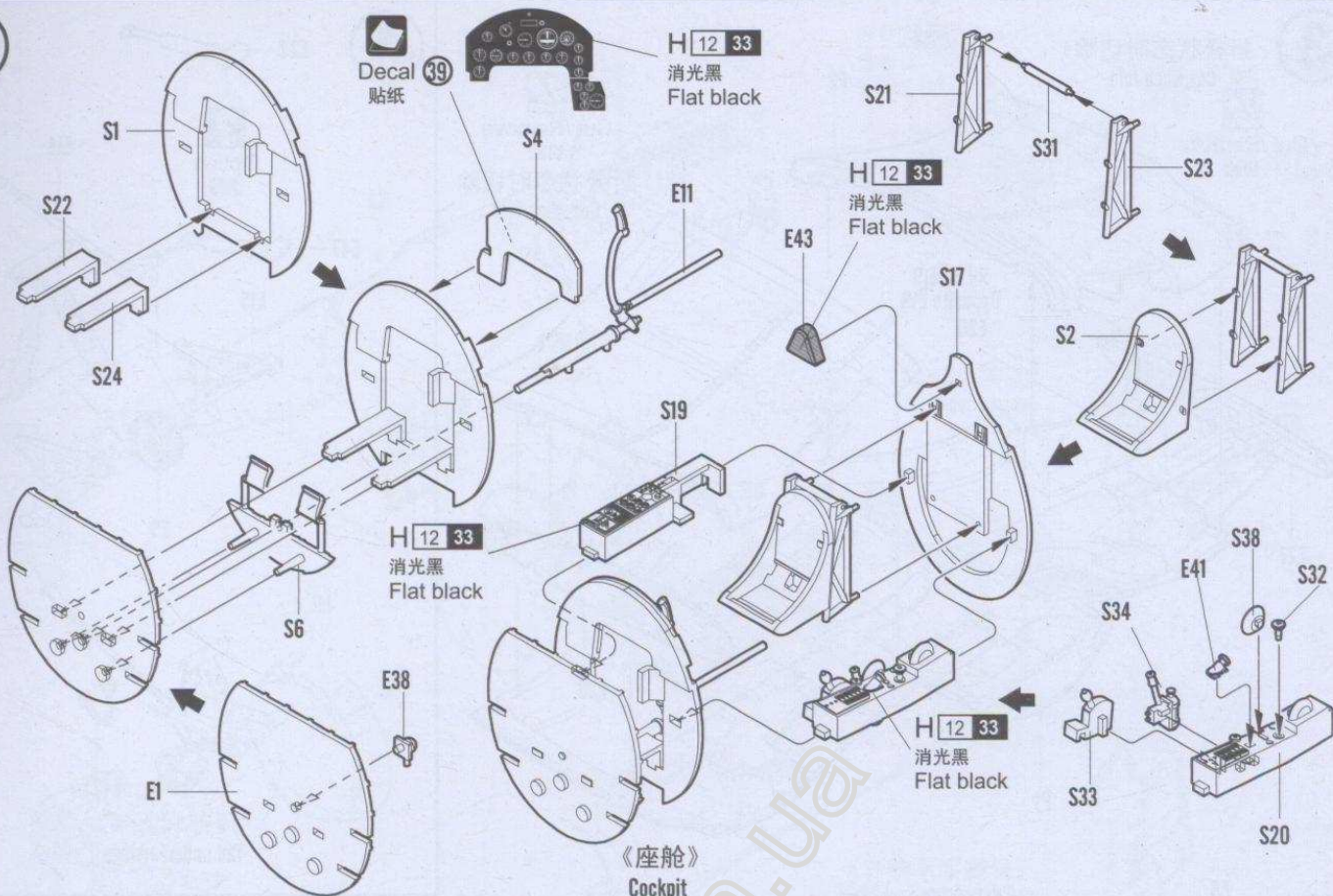


《水贴》
Decal

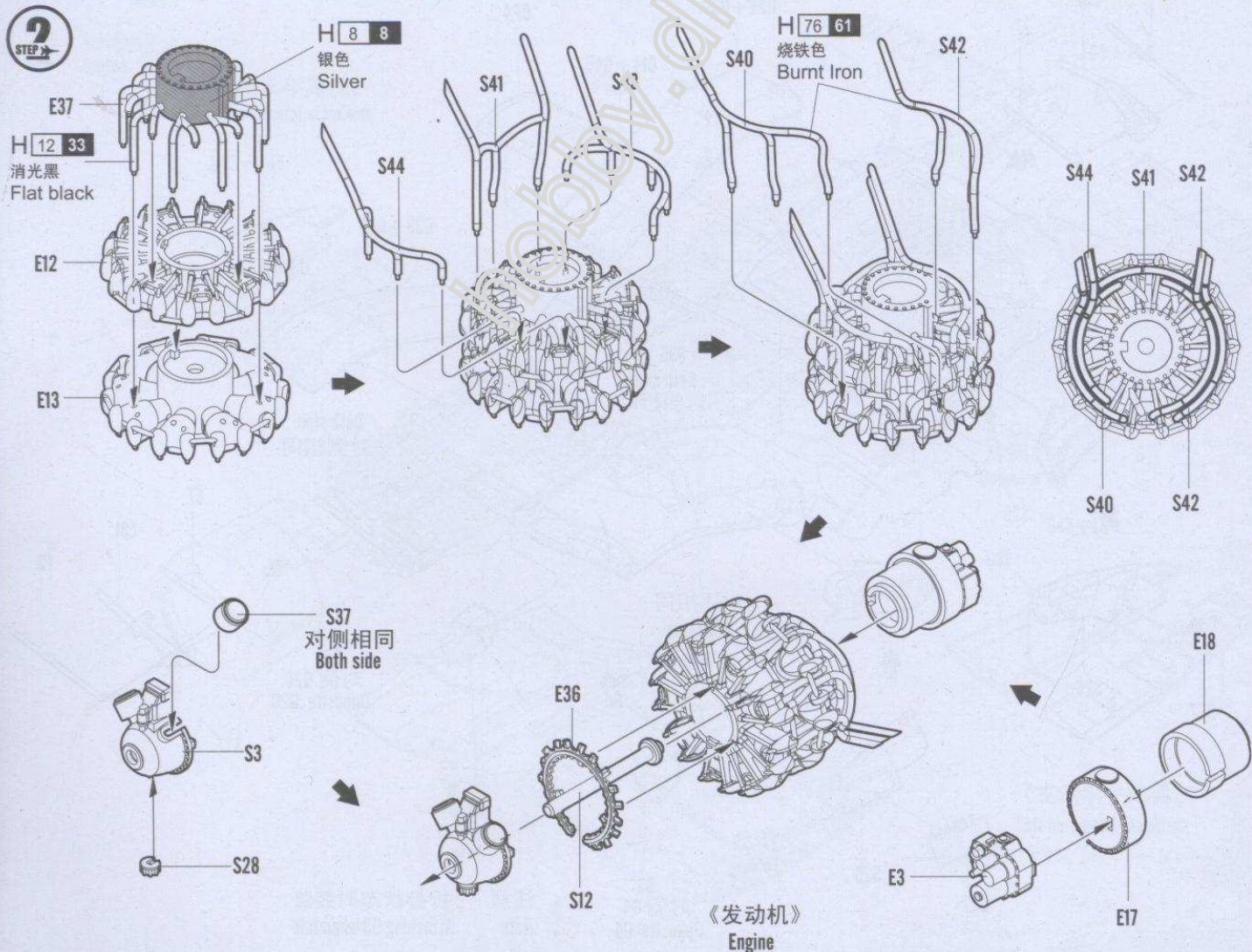


不用的部件: S8 S13 S15 S18 S35 S39 GP3 GP9 GP10
Unused parts

1
STEP



2
STEP

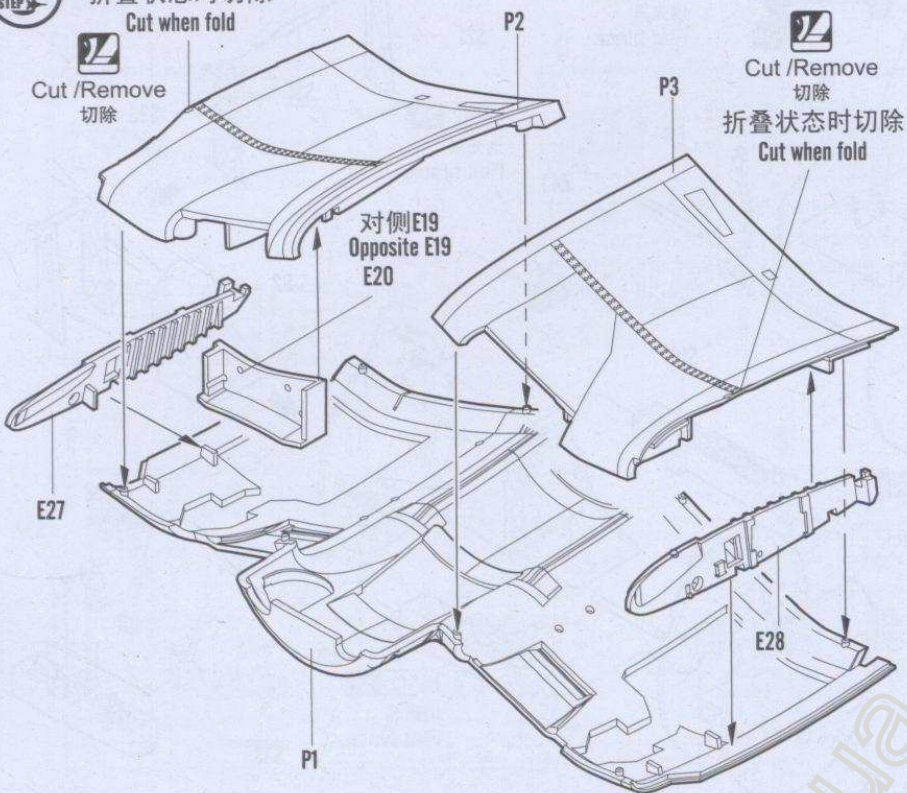


3 STEP

折叠状态时切除

Cut when fold

Cut/Remove
切除

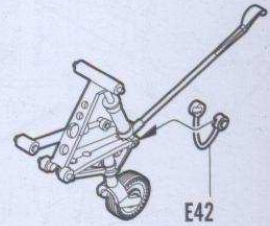
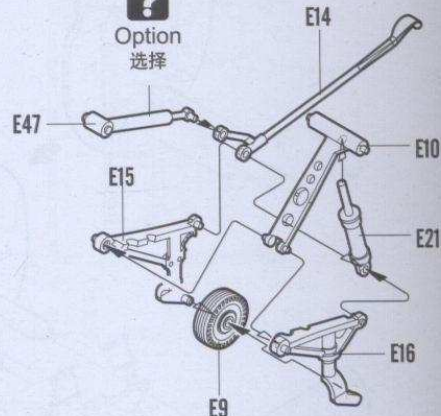


4 STEP

E22

?

Option
选择



《尾部起落架》
Tail undercarriage

E8

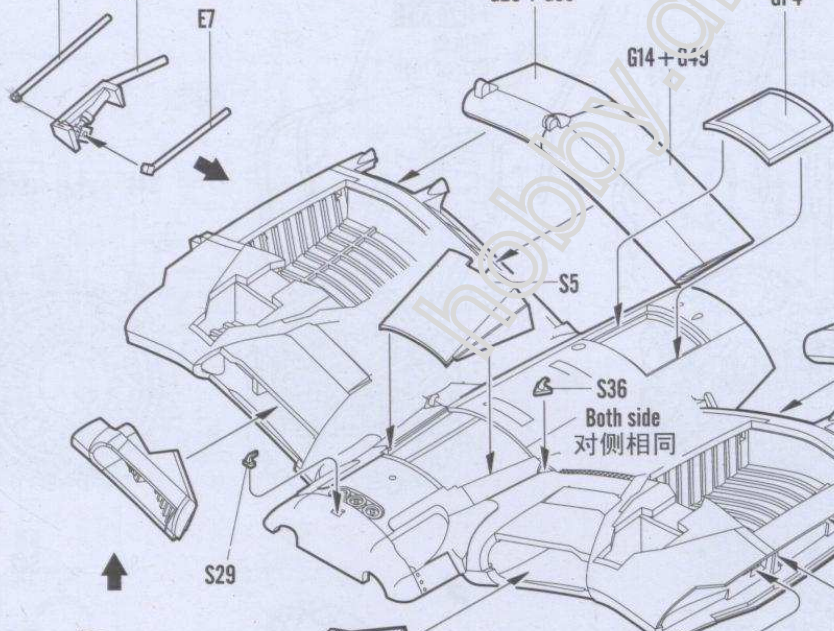
E32

E7

G29 + G30

GP4

G14 + G15



G39 + G48

G31 + G32

Both side
对侧相同

对侧相同
Both side

G8

折叠
Folding

G3
对侧 G4
Opposite G4

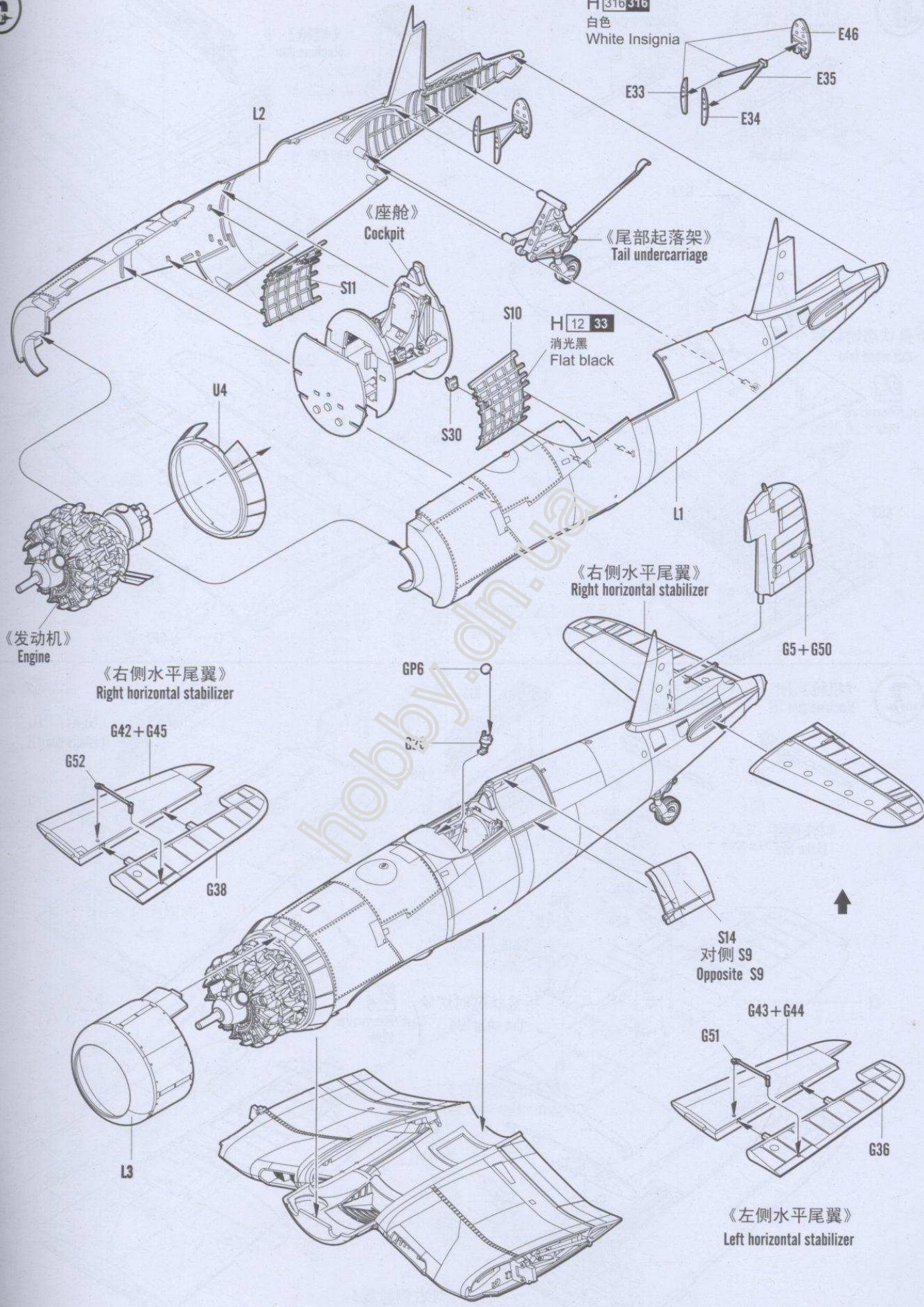
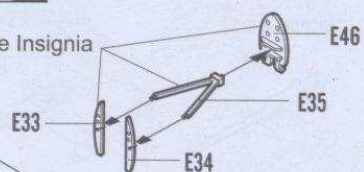
?

Option
选择

! 注意
Note 折叠状态时装G8
Attaching G8 when fold

H 316 316

白色
White Insignia



《座舱》
Cockpit

《尾部起落架》
Tail undercarriage

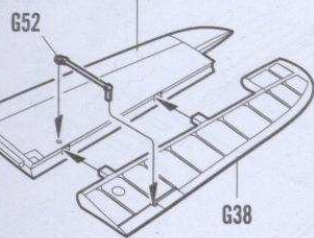
H 12 33
消光黑
Flat black

《发动机》
Engine

《右侧水平尾翼》
Right horizontal stabilizer

《右侧水平尾翼》
Right horizontal stabilizer

G42 + G45

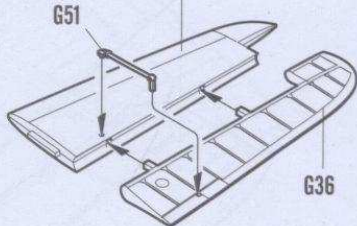


GP6

G5 + G50

S14
对侧 S9
Opposite S9

G43 + G44

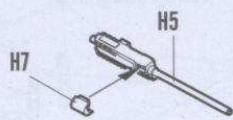
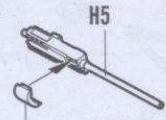


《左侧水平尾翼》
Left horizontal stabilizer

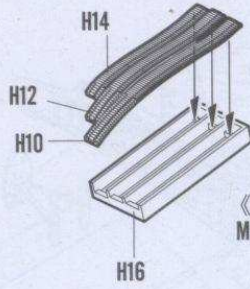
6
STEP

《机枪》I
Machine gun I

《机枪》II
Machine gun II

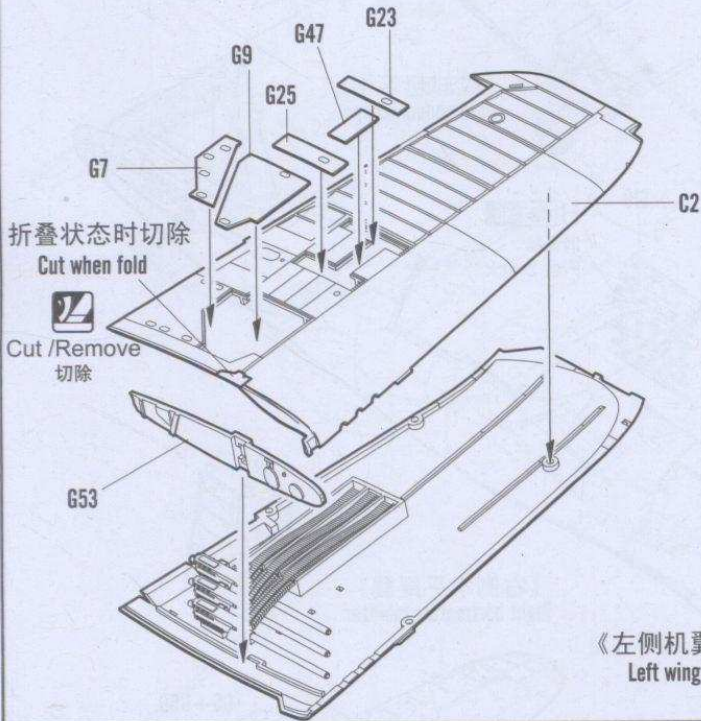
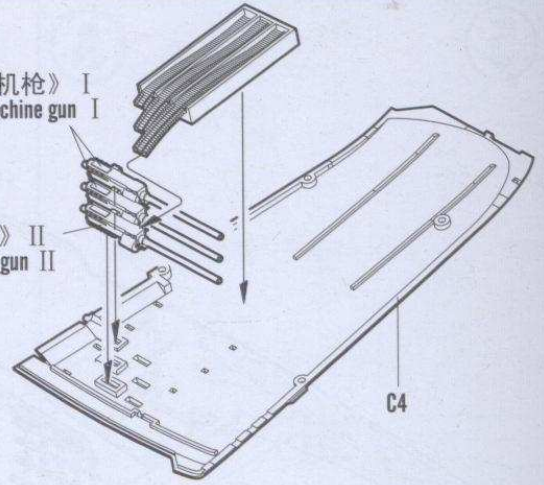


制作两组
Make two



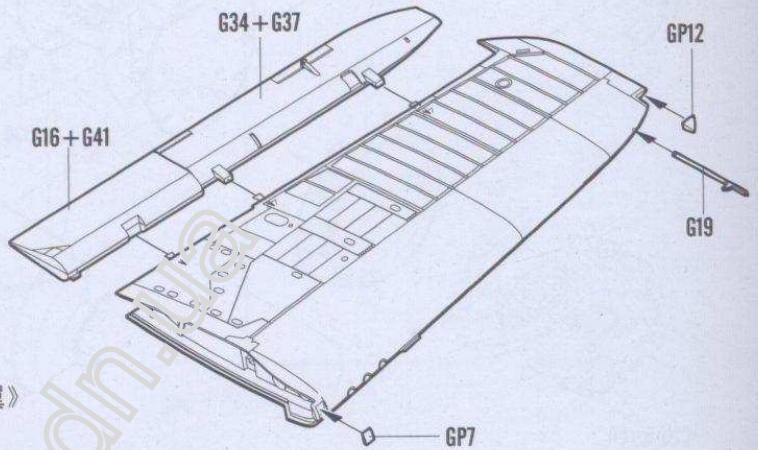
《机枪》I
Machine gun I

《机枪》II
Machine gun II



折叠状态时切除
Cut when fold
Cut/Remove
切除

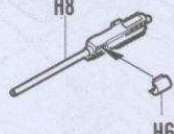
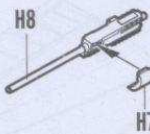
《左侧机翼》
Left wing



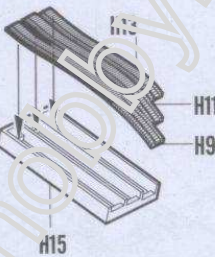
7
STEP

《机枪》III
Machine gun III

《机枪》IV
Machine gun IV

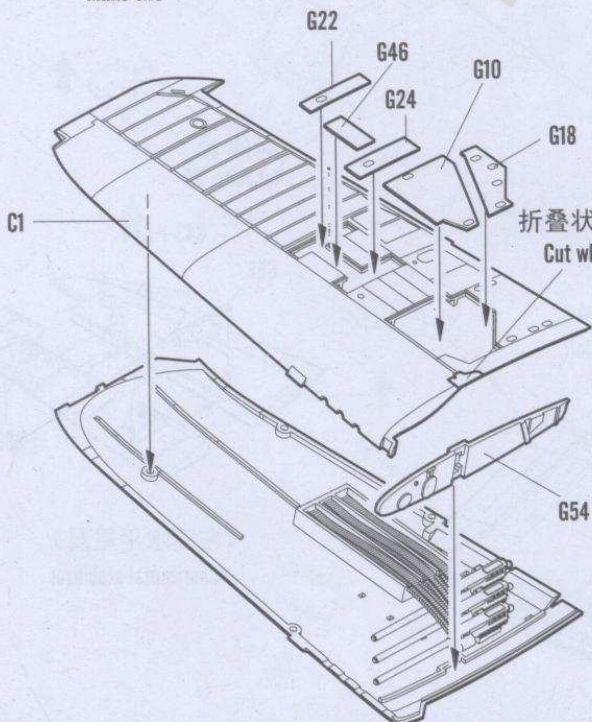
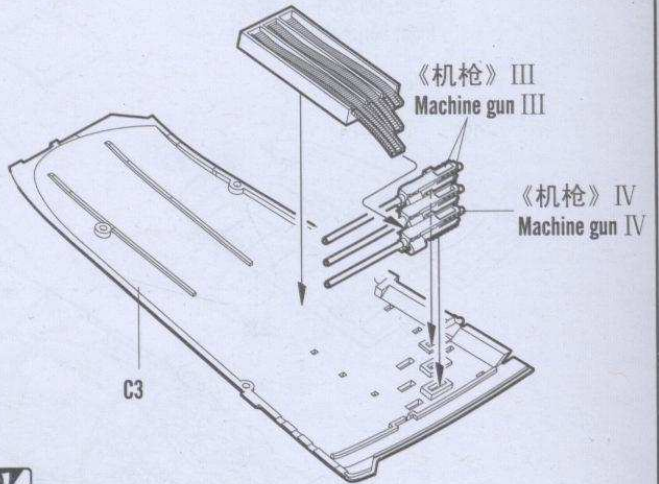


制作两组
Make two



《机枪》III
Machine gun III

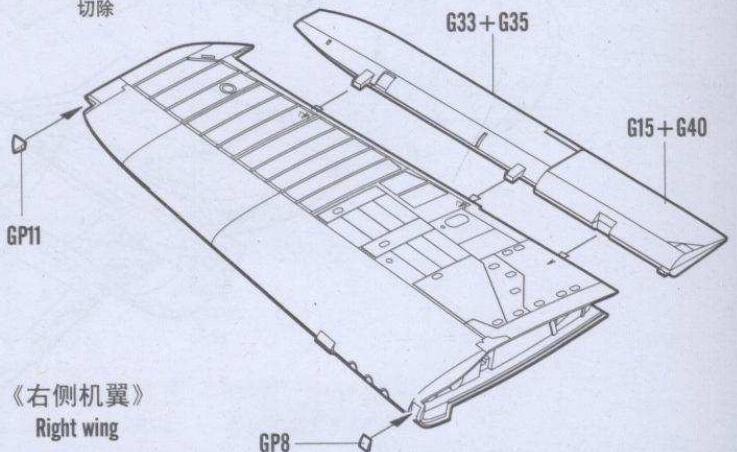
《机枪》IV
Machine gun IV



折叠状态时切除
Cut when fold

Cut/Remove
切除

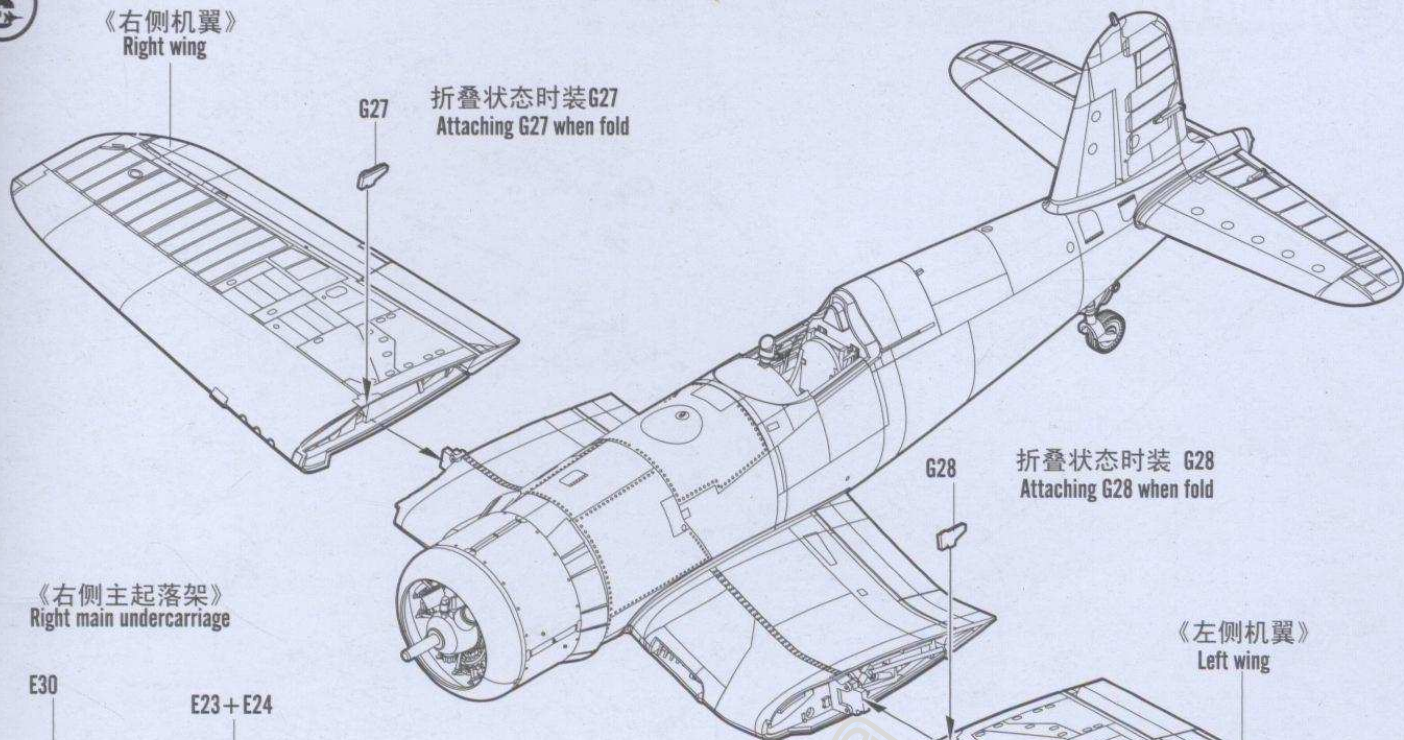
《右侧机翼》
Right wing





《右侧机翼》
Right wing

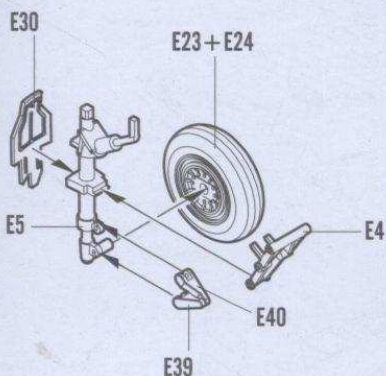
G27
折叠状态时装 G27
Attaching G27 when fold



G28
折叠状态时装 G28
Attaching G28 when fold

《左侧机翼》
Left wing

《右侧主起落架》
Right main undercarriage



对侧 G6
Opposite G6
G17

《右侧主起落架》
Right main undercarriage

对侧 G1
Opposite G1
G2

《左侧主起落架》
Left main undercarriage

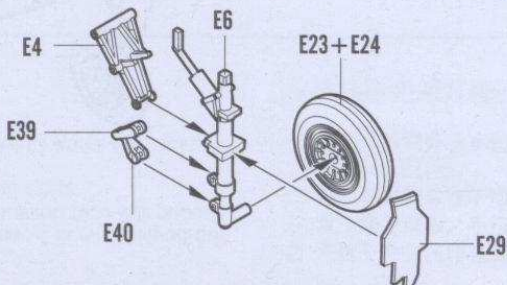
E45
对侧 E48
Opposite E48

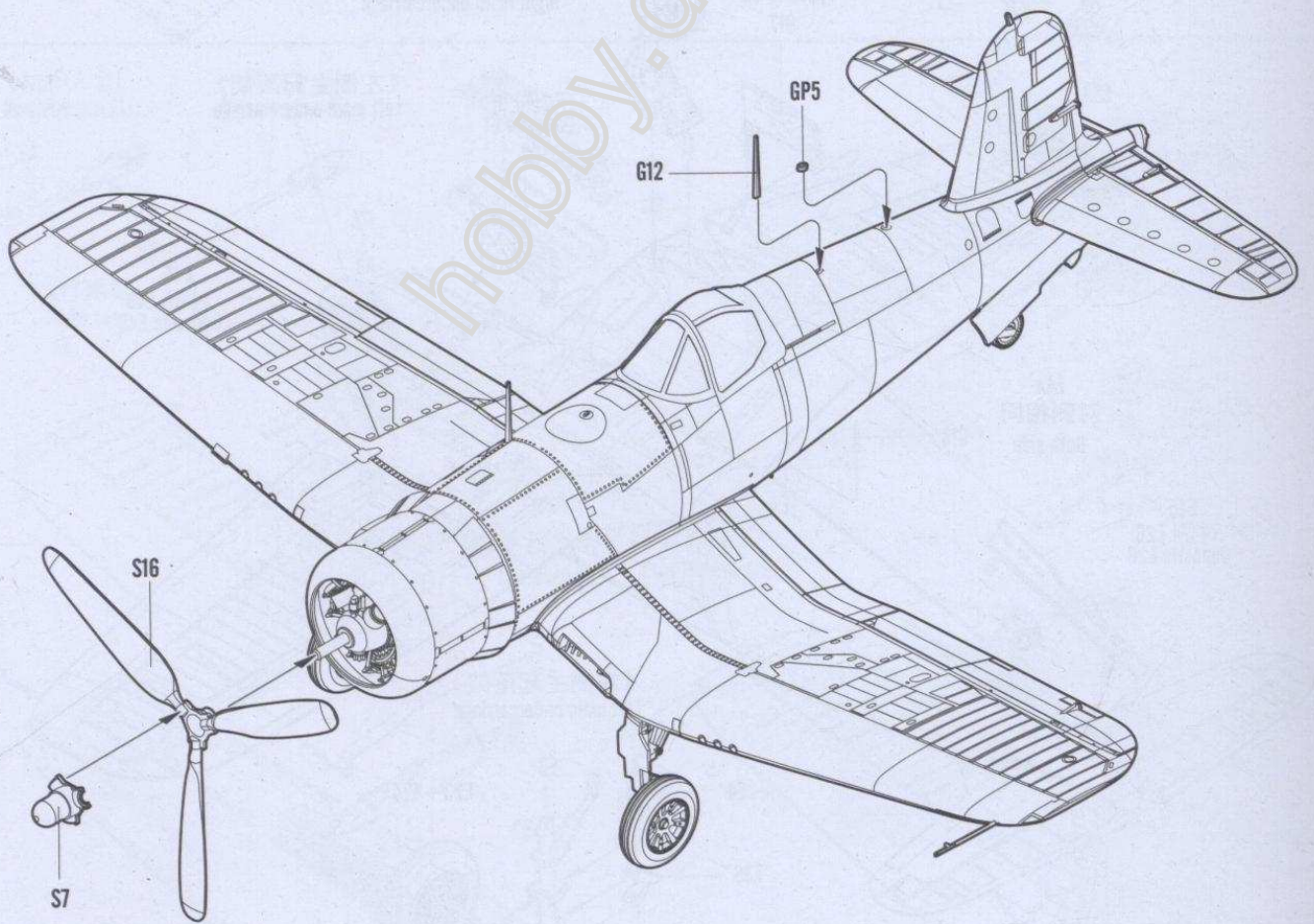
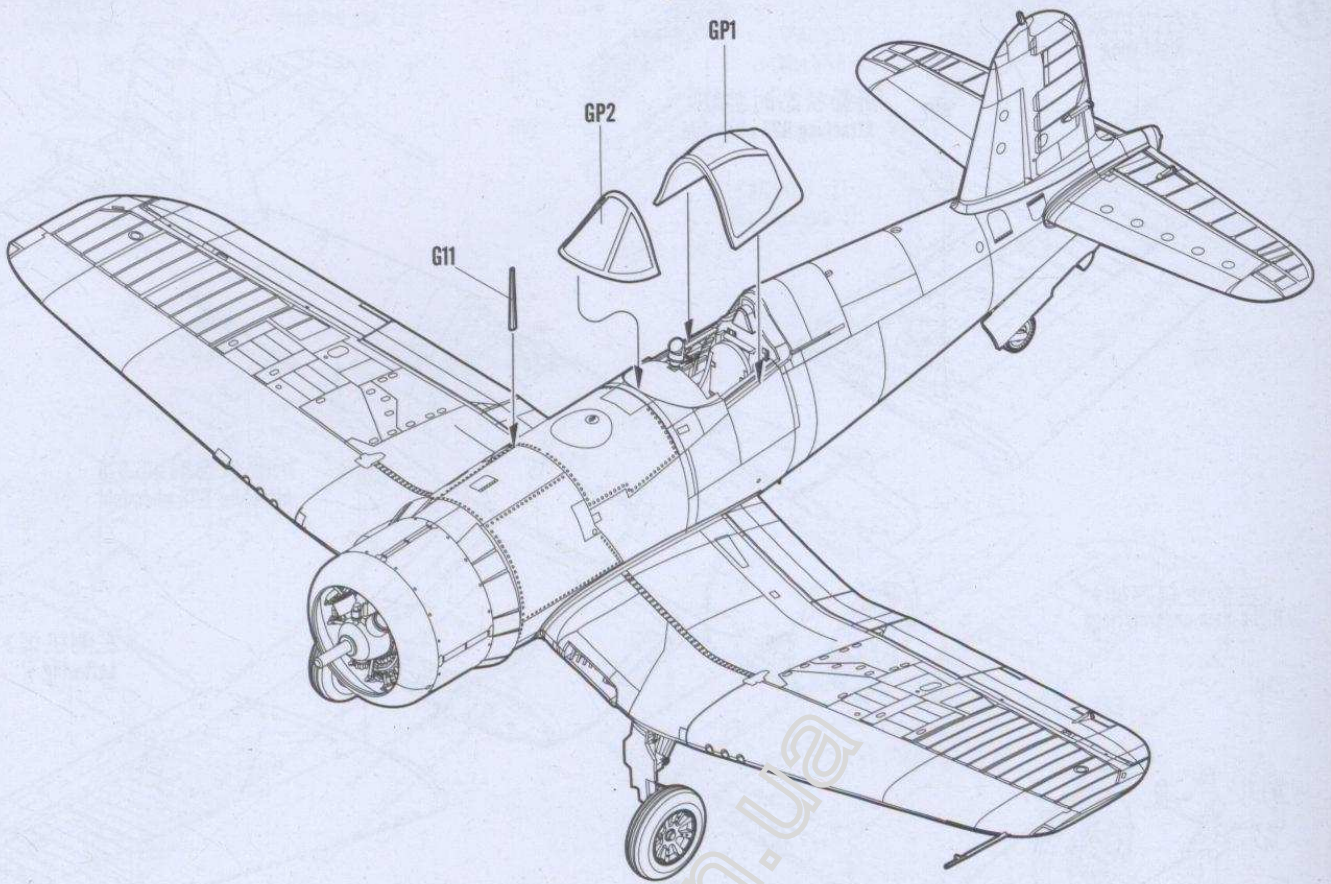
E44
对侧相同
Both side

G13

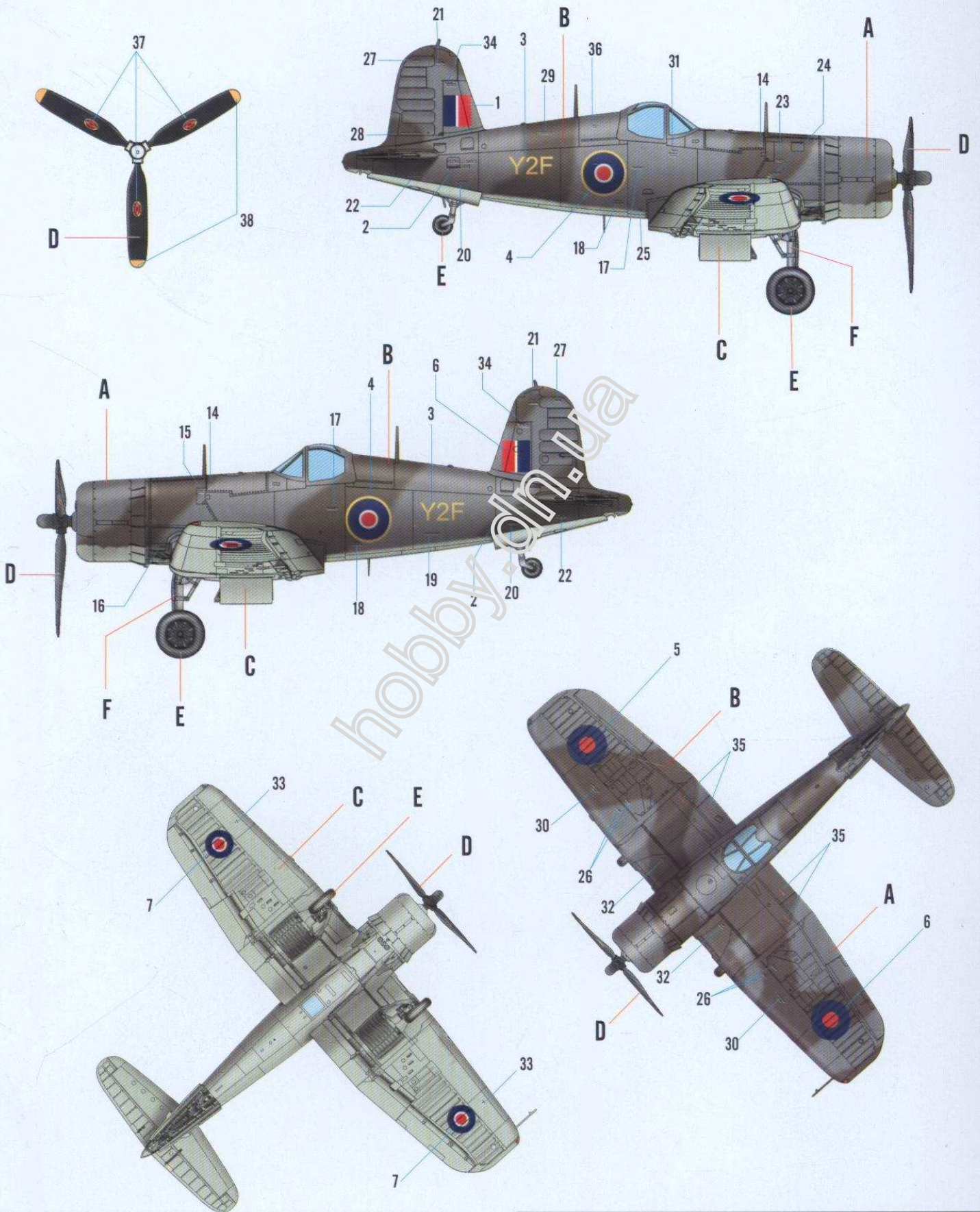
E25
对侧 E26
Opposite E26

《左侧主起落架》
Left main undercarriage





II Royal Navy, 759 NAS, FAA, Corsair Mk.II, Y2F(JS636).



	Color	Mr.Hobby	Vallejo	Model Master	Tamiya	Humbrol
D	消光黒 Flat Black	H 12 33	950	1749	XF1	33
E	胎黒色 Tyre Black	H 77 137	--	--	--	--
	银色					

I Royal Navy, 757 Sqn, FAA, Corsair Mk.II, P54(JT260).



	Color	Mr.Hobby	Vallejo	Model Master	Tamiya	Humbrol
A	深海灰 Dark Seagray	H 331 331	--	--	XF54	164
B	深绿色 Dark Green	H 330 330	892	--	--	163
C	天空色					