

1:48 Scale

ITEM No.:81725



F-80C Shooting Star fighter

F-80C シューティングスター

美国F-80C"流星"战斗机

PLEASE READ BEFORE OPERATION!

- * Tools recommended as below: (Not included)
Adhesives; Paints; Side Cutters; Sharp Edged Pliers; Modeling Knife; Modeling File; Nippers; Drill; Scissors; Sand Paper; Soft Cloth; Cyanoacrylate Glue.
- * Make sure to read this instruction listed below before assembling.
- * The kit contains the small parts, they can be dangerous if swallowed by mistake, so keep them away from reach of children.
- * Cut the all parts off carefully and remove the waste parts into the garbage can.
- * More caution and care should be needed for cutting and handling the photo etched parts.
- * Make attention that some parts should be attached the decal when assembled.
- * During assembling, please tear up and throw away the plastic bags, or may cause the dangerous if wearing over head by children's mistake.
- * When using the adhesives and paints, please do not use them in the closed room or near the fire, also must be very careful to protect your eyes, face and clothes.
- * Adult supervised when assembler by children under 14 years old.

装配前请仔细阅读:

- * 推荐使用的模型工具(请自备):
专用模型胶水, 专用模型油漆, 水口剪刀, 长咀钳, 刀片, 锉刀, 镊子钳, 钻, 剪刀, 软布, 砂纸, 瞬间快干胶等。
- * 用水口剪刀或刀片小心切下所有塑胶零件和蚀刻片零件, 不要遗失小零件。
- * 切取蚀刻片时应特别注意防止利边划伤手指。
- * 用模型锉刀小心锉平所有零件表面的注射浇口。
- * 用适量的强力快干胶水粘合蚀刻片零件和金属轴, 切忌过量, 否则可能导致可动零件被粘住。
- * 注意某些零件表面需在装配时同步贴水上贴纸。
- * 制作时应远离幼儿并将包装袋及时收妥, 谨防小孩玩耍而引起意外。



using ca super glue
使用强力胶



weight
配重



make hole
钻孔



cut / remove
切除



option
选择



no cement
不涂胶水



decal
贴纸



bend
弯曲



repair
填补

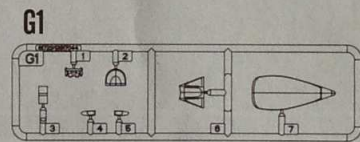
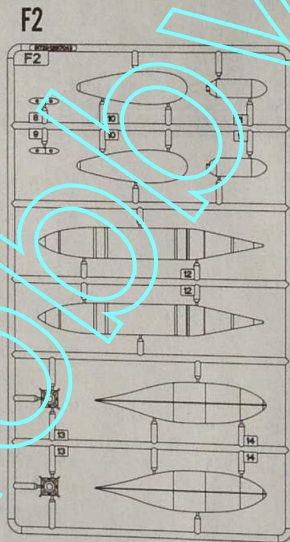
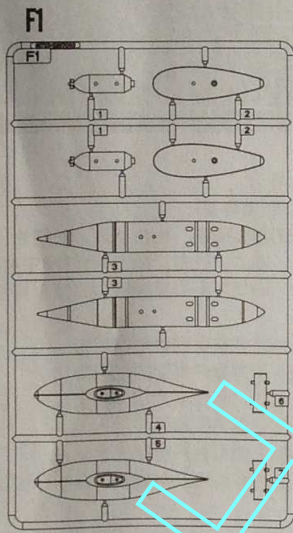
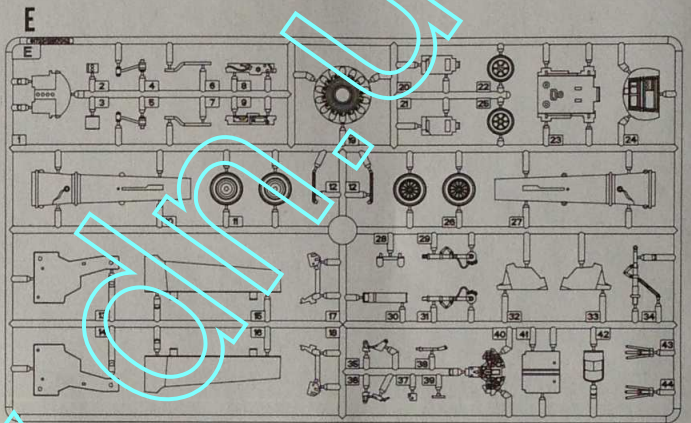
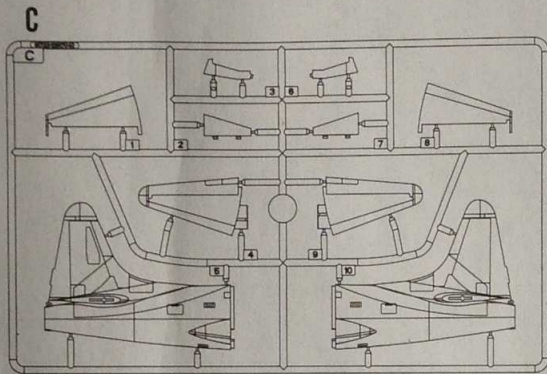
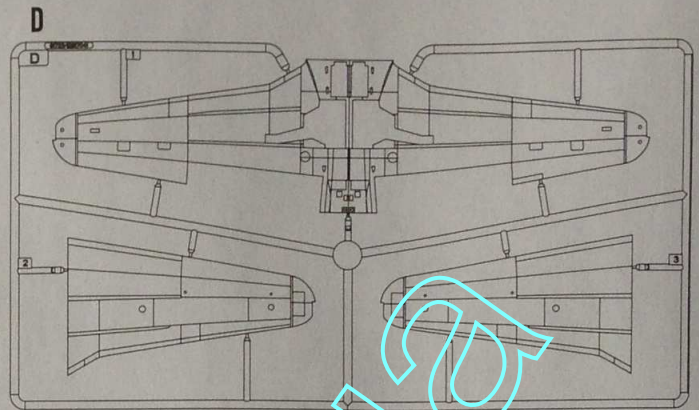
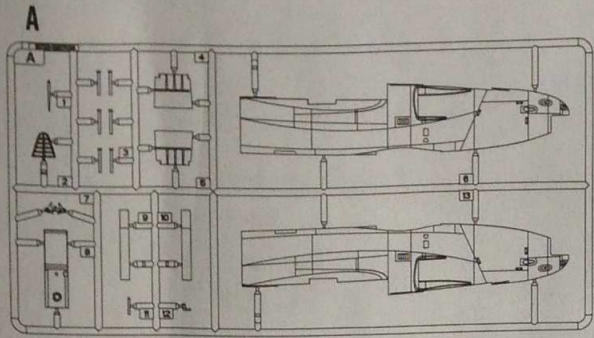
The method to apply the decals

1. Cut off the decal from the decal paper and put it into the warm water 40°C for 10 seconds.
2. Take the decal from the water and put it on a piece of clean cloth.
3. Remove the decal slowly from the paper to the targeted location by a wet finger.
4. Use a piece of dry and soft cloth to press it gently on the decal until it getting dry and no bubble existing.

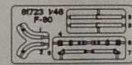
水贴纸的使用方法:

- 一. 把相关的印花从水贴纸上剪下, 放入40°C左右的温水中浸10秒。
- 二. 然后将印花放在干净的布上。
- 三. 拿上印花纸板, 手指蘸水将印花移到适当的位置。
- 四. 用软干布轻压印花直至水干, 气泡消失。

部品图
Parts



《蚀刻片》
Photo etched part (PE)



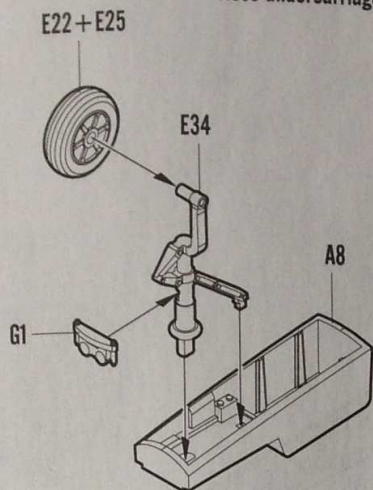
《水贴纸》
Decal



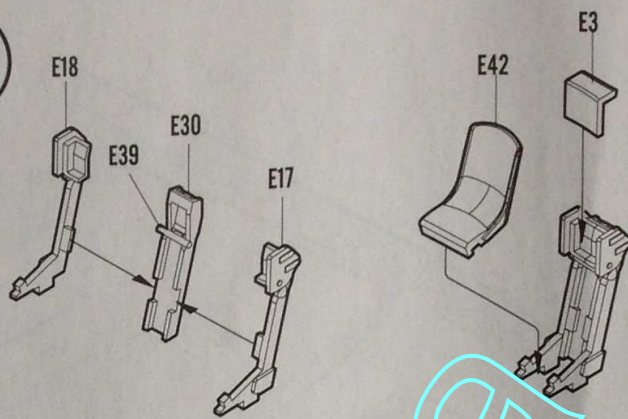
不用部件: A11
Unused Parts

1
STEP

<<前起落架>>
Nose undercarriage

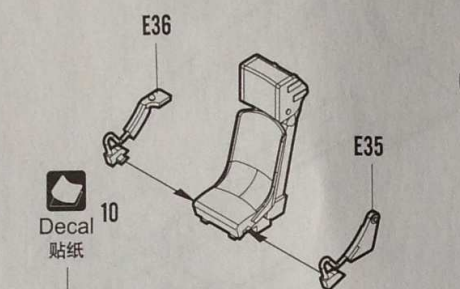


2
STEP



对侧相同
Both sides

对侧PE2
Opposite PE2



PE3

PE1

PE5

PE4

PE6

PE7

PE8

PE9

PE10

PE11

PE12

PE13

PE14

PE15

PE16

PE17

PE18

PE19

PE20

PE21

PE22

PE23

PE24

PE25

PE26

PE27

PE28

PE29

PE30

PE31

PE32

PE33

PE34

PE35

PE36

PE37

PE38

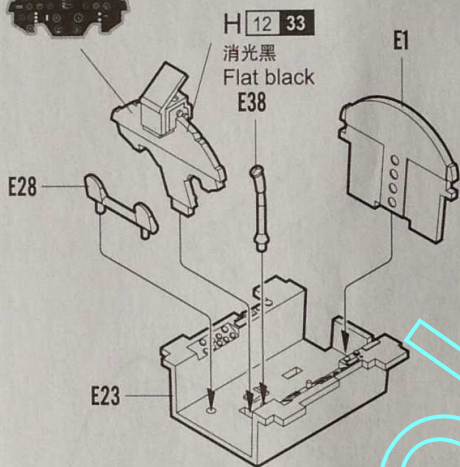
PE39

PE40

PE41

PE42

PE43



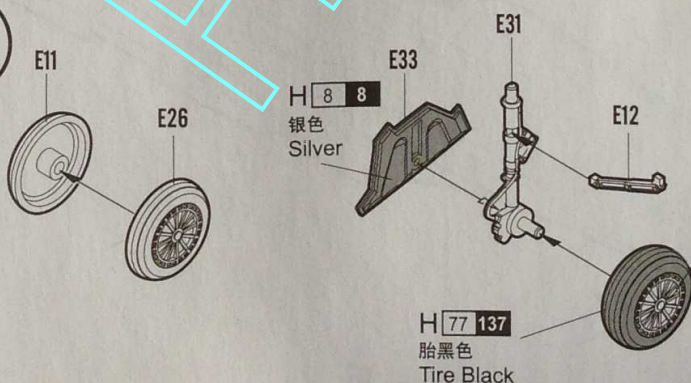
H 12 33
消光黑
Flat black

H 57 73
灰白色
Aircraft Gray

H 81 55
卡其色
Khaki

<<座舱>>
Cockpit

3
STEP

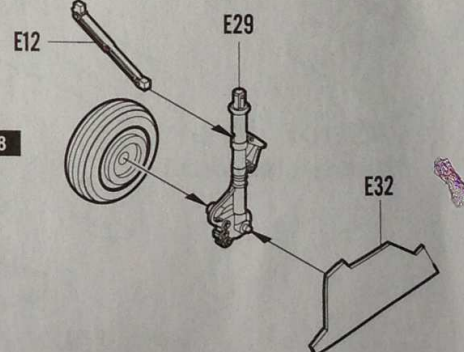


H 8 8
银色
Silver

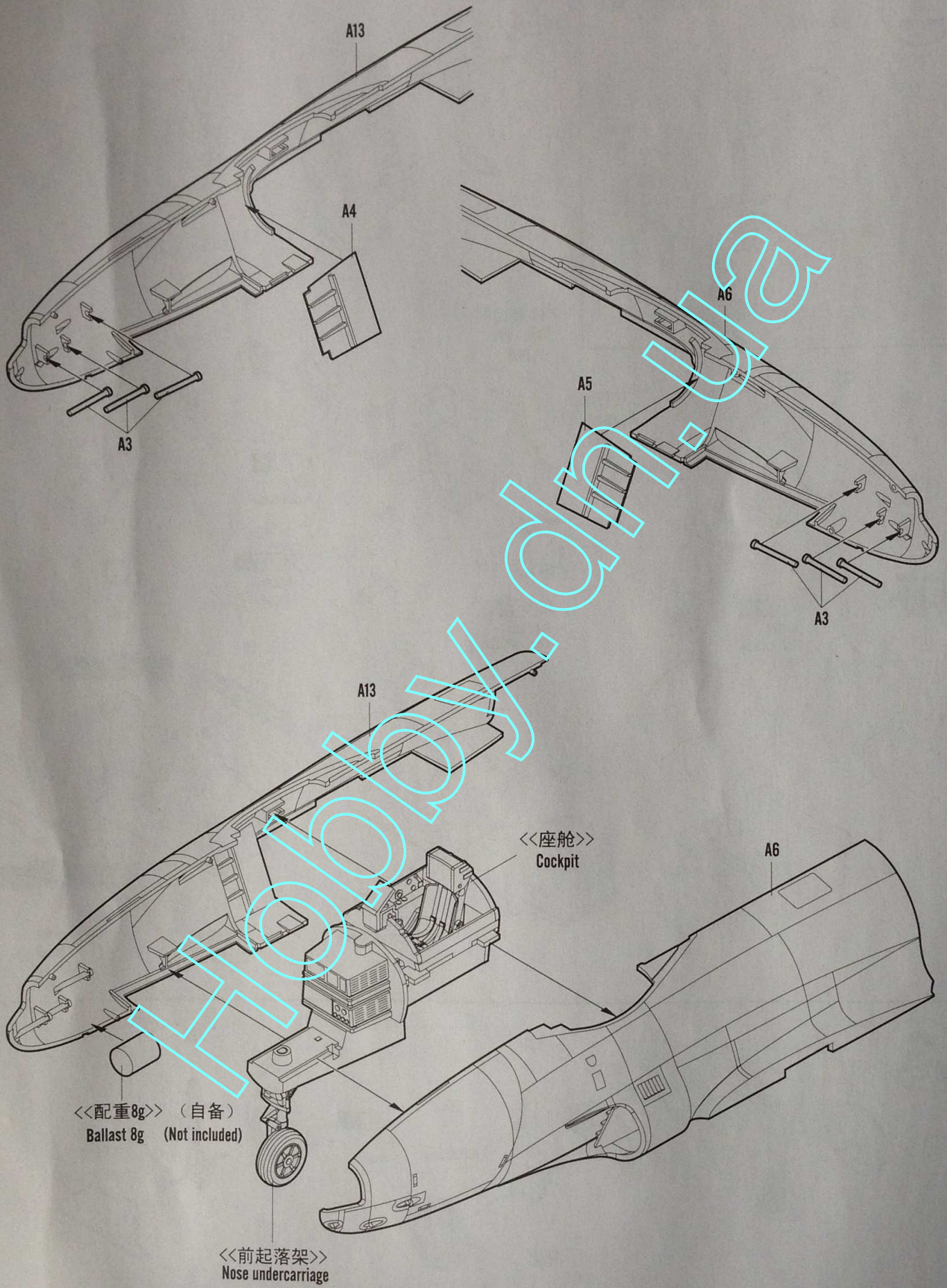
H 8 8
银色
Silver

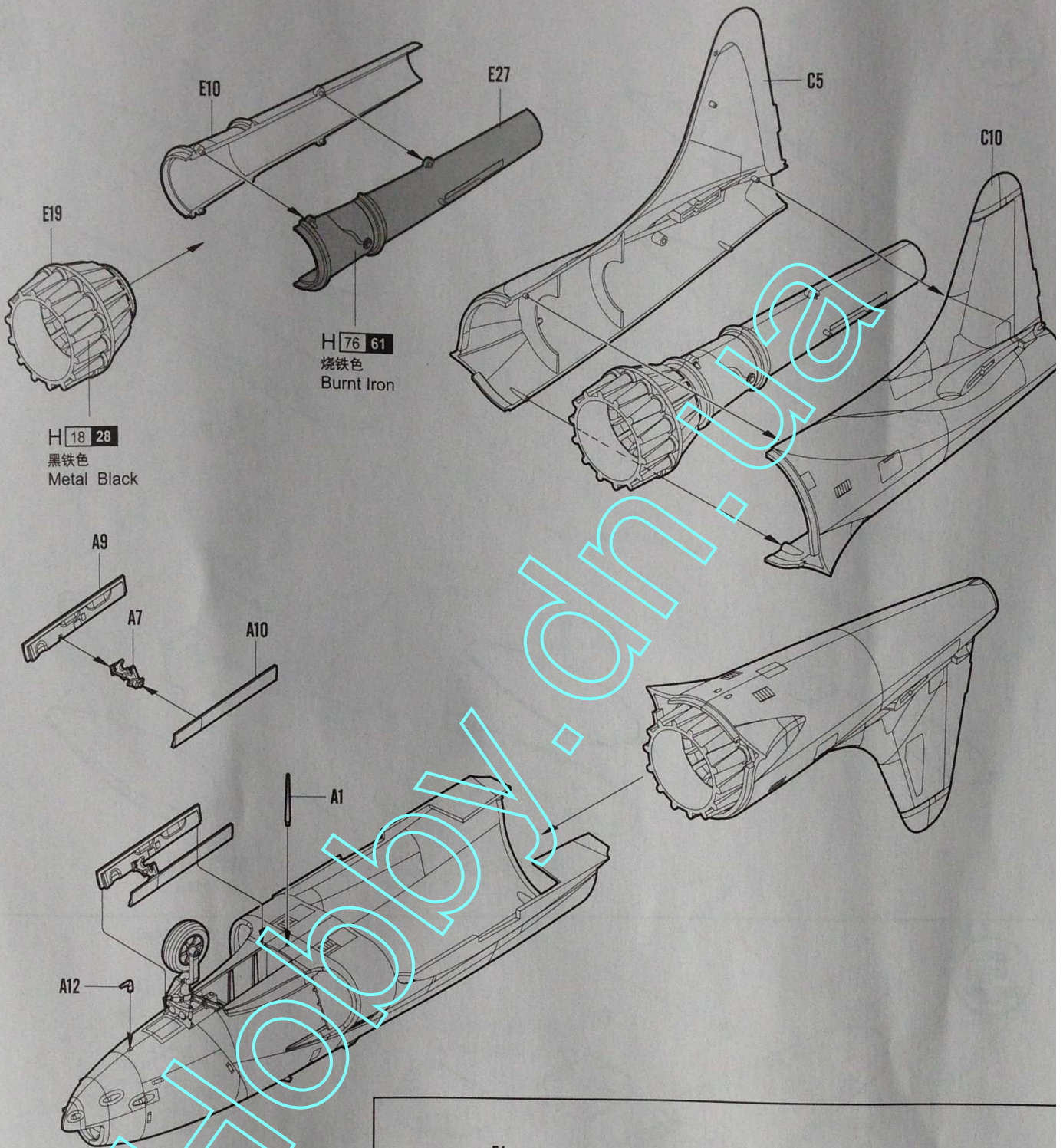
H 77 137
胎黑色
Tire Black

<<右侧主起落架>>
Right main undercarriage



<<左侧主起落架>>
Left main undercarriage

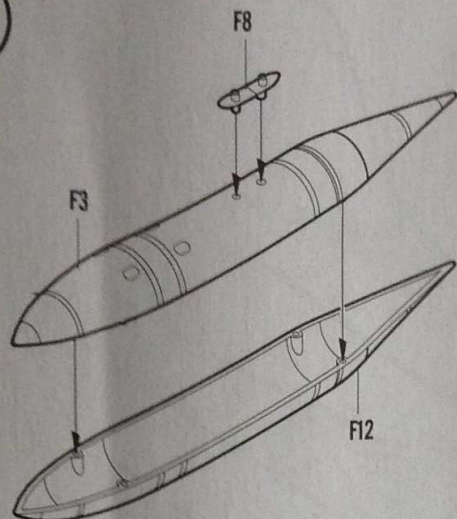




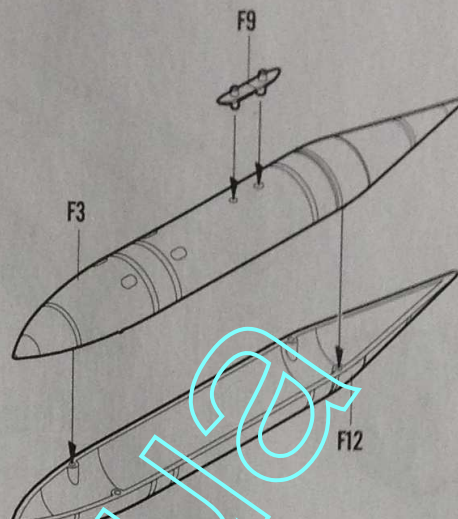
<<A>>

<>

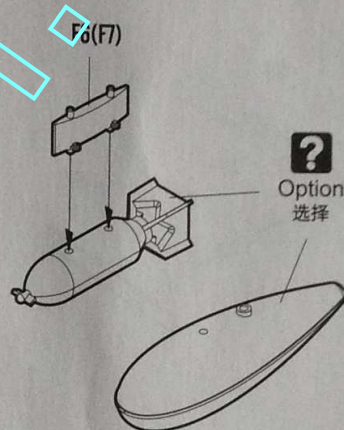
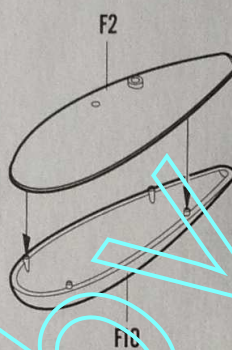
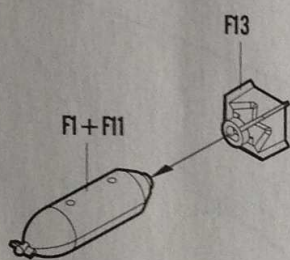
STEP 4



<<C>>



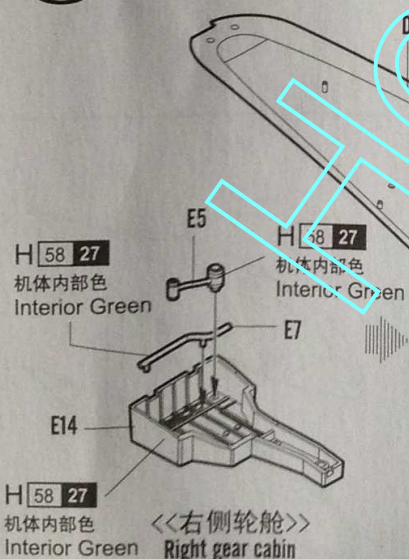
<<J>>



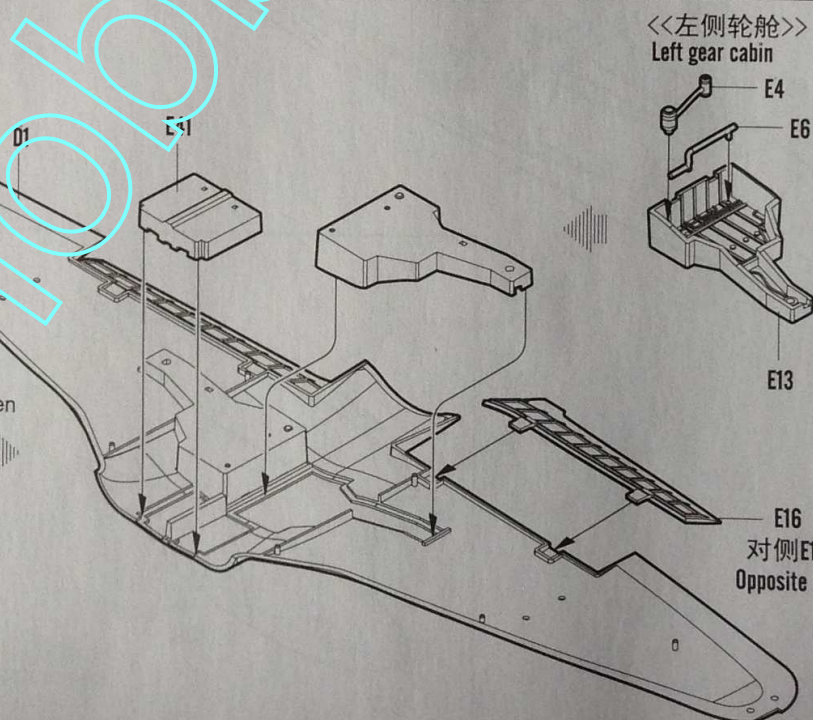
Option 选择

制作两组
Make two

STEP 5

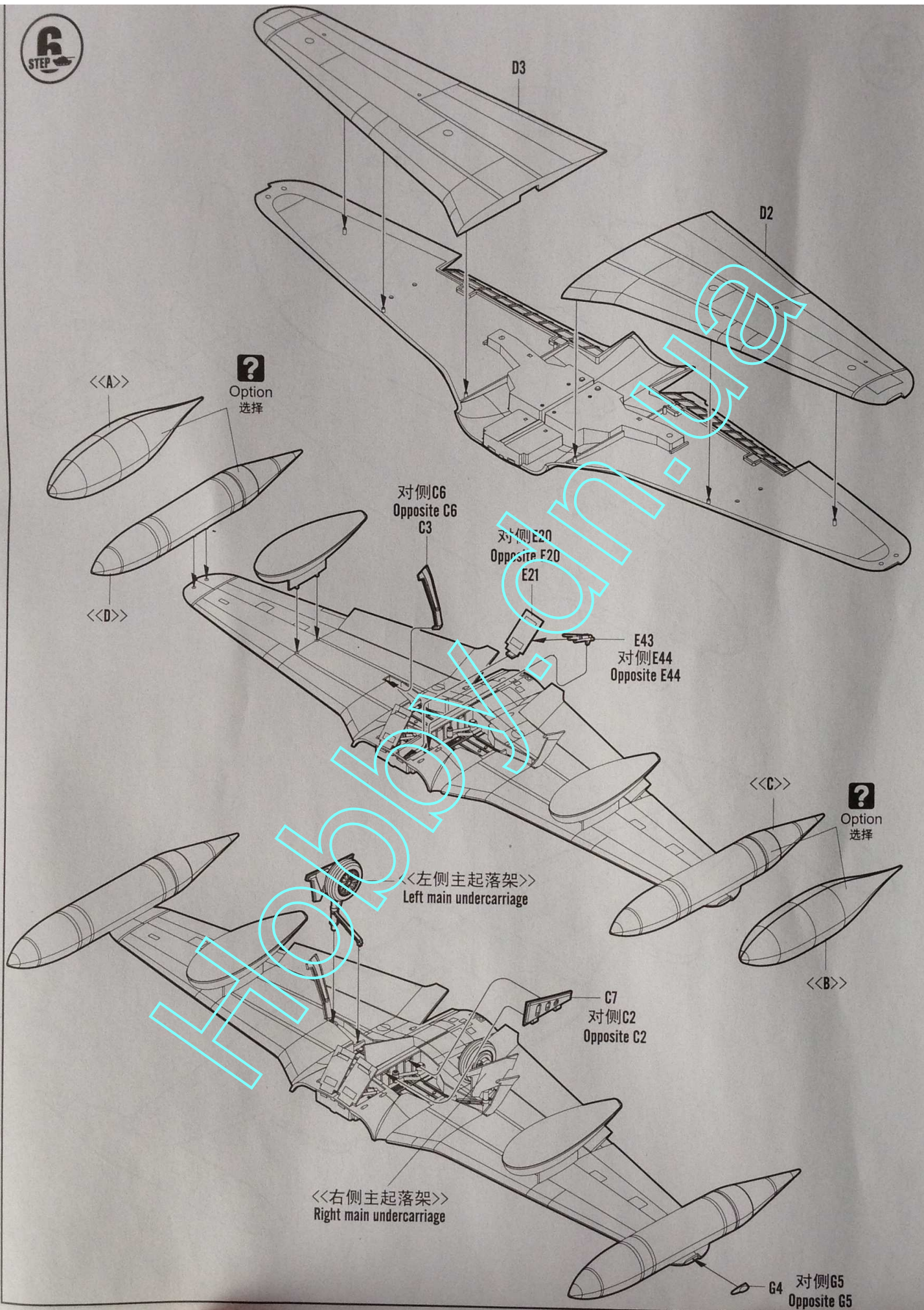


<<右侧轮舱>>
Right gear cabin



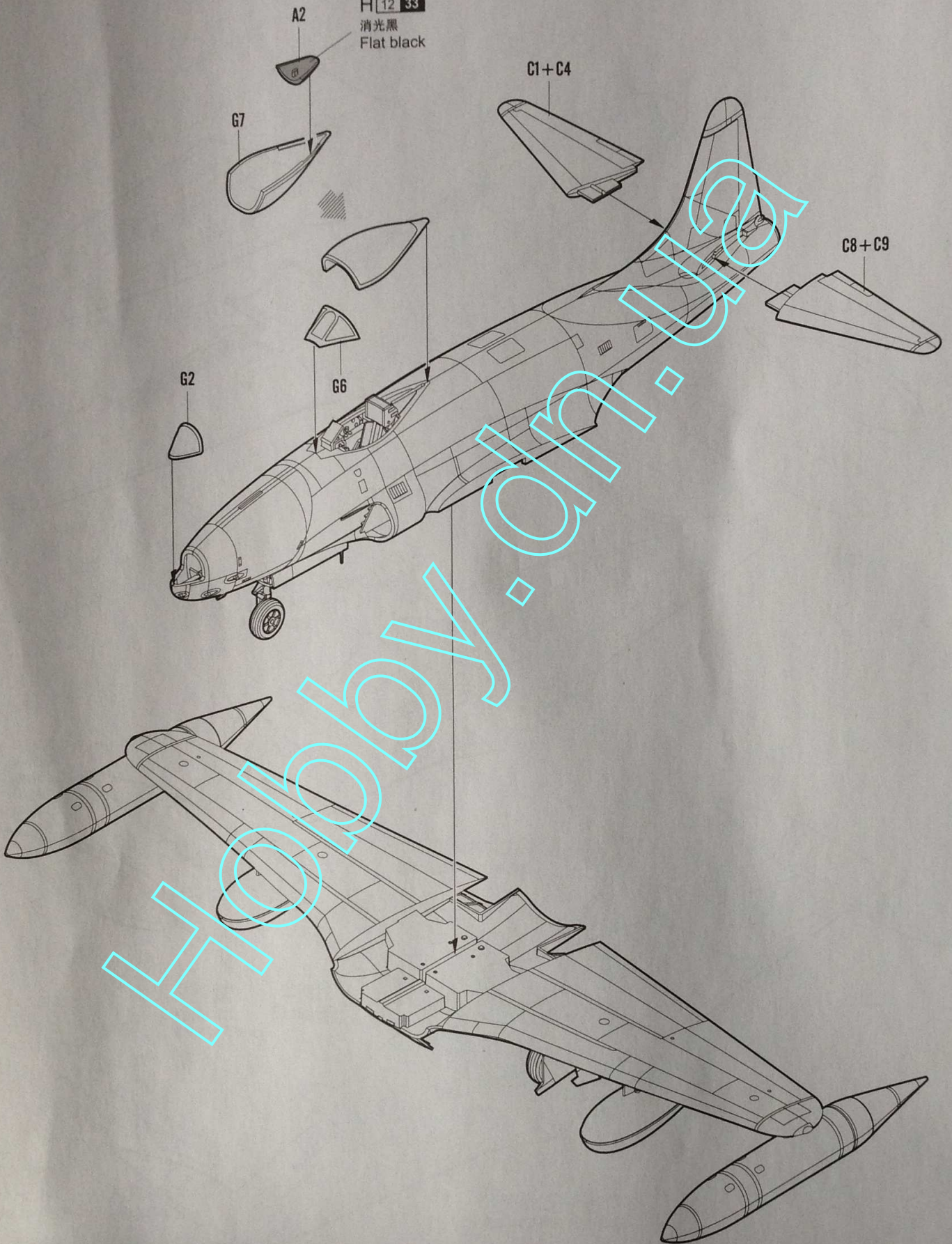
<<左侧轮舱>>
Left gear cabin

E16
对侧E15
Opposite E15



7
STEP

H 12 33
消光黑
Flat black



I



| Color | Mr.Hobby | Vallejo | Model Master | Tamiya | Humbrol |
|----------------------------|----------|---------|--------------|--------|---------|
| A 消光黑 Flat Black | H [12] 3 | 950 | 1749 | XF1 | 33 |
| B 红 Red | H [3] 1 | 908 | 1503 | X7 | 19 |
| C 银色 Silver | H [8] 8 | 997 | 1546 | X11 | 11 |

| Color | Mr.Hobby | Vallejo | Model Master | Tamiya | Humbrol |
|----------------------------------|-----------|---------|--------------|--------|---------|
| D 蓝色 Blue | H [5] 5 | 899 | 1772 | X3 | 7 |
| E 烧铁色 Burnt Iron | H [76] 61 | 863 | 1735 | X10 | 53 |
| F 机体内部色 Interior Green | H [58] 27 | 997 | 1546 | X11 | 11 |

NO.:81725

* Some paints may not be available in your country. Please check your local hobby shop for substitute

II



| Color | Mr.Hobby | Vallejo | Model Master | Tamiya | Humbrol |
|------------------------|-----------|---------|--------------|--------|---------|
| G 白色 White Insignia | H 818 316 | 991 | 1745 | X2 | 22 |
| H 胎黑色 Tire Black | H 727 137 | - | - | - | - |

| Color | Mr.Hobby | Vallejo | Model Master | Tamiya | Humbrol |
|----------------------|----------|---------|--------------|--------|---------|
| I 透明红 Clear Red | H 80 47 | 934 | - | A65 | - |
| J 透明绿 Clear Green | H 136 | 936 | - | X25 | - |
| K 黑铁色 Metal Black | H 18 28 | 864 | 1342 | - | - |

*Some paints may not be available in your country. Please check your local hobby shop for substitute

NO..81725