

1:35 Scale

ITEM No.:83803



**German Pzkwpfw.II Ausf.J (VK1601)**  
**ドイツII号戦車I型 (VK1601)**  
**德国VK1601轻型坦克**

**PLEASE READ BEFORE OPERATION!**

- \* Tools recommended as below: (Not included)  
Adhesives, Paints, Side Cutters, Sharp Edged Pliers, Modeling Knife, Modeling File, Nippers, Drill, Scissors, Sand Paper, Soft Cloth, Cyanoacrylate Glue.
- \* Make sure to read this instruction listed below before assembling
- \* The kit contains the small parts, they can be dangerous if swallowed by mistake, so keep them away from reach of children.
- \* Cut the all parts off carefully and remove the waste parts into the garbage can.
- \* More caution and care should be needed for cutting and handling the photo etched parts.
- \* Make attention that some parts should be attached the decal when assembled.
- \* During assembling, please tear up and throw away the plastic bags, or may cause the dangerous if wearing over head by children's mistake
- \* When using the adhesives and paints, please do not use them in the closed room or near the fire, also must be very careful to protect your eyes, face and clothes.
- \* Adult supervised when assembled by children under 14 years old

**装配前请仔细阅读:**

- \* 推荐使用的模型工具(请自备):  
专用模型胶水、专用模型油漆、水口剪刀、长咀钳、刀片锉刀、镊子钳、钻、剪刀、软布、砂纸、瞬间快干胶等。
- \* 用水口剪刀或刀片小心切下所有塑胶零件和蚀刻片零件, 不要遗失小零件。
- \* 切取蚀刻片时应特别注意防止利边划伤手指。
- \* 用模型锉刀小心锉平所有零件表面的注射浇口。
- \* 用适量的强力快干胶水粘合蚀刻片零件和金属轴, 切忌过量, 否则可能导致可动零件被粘住。
- \* 注意某些零件表面需在装配时同步贴水上贴纸。
- \* 制作时应远离幼儿并将包装袋及时收妥, 谨防小孩玩耍而引起意外。



using ca super glue  
使用强力胶



weight  
配重



make hole  
钻孔



cut / remove  
切除



option  
选择



no cement  
不涂胶水



decal  
贴纸



bend  
弯曲



repair  
填补

**The method to apply the decals**

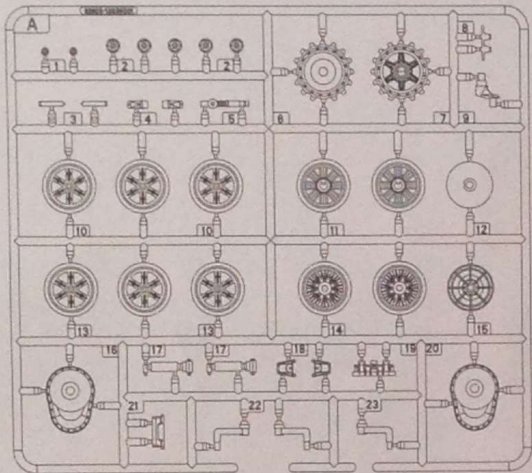
- 1 Cut off the decal from the decal paper and put it into the warm water 40°C for 10 seconds.
- 2 Take the decal from the water and put it on a piece of clean cloth.
- 3 Remove the decal slowly from the paper to the targeted location by a wet finger.
- 4 Use a piece of dry and soft cloth to press it gently on the decal until it getting dry and no bubble existing.

**水贴纸的使用方法:**

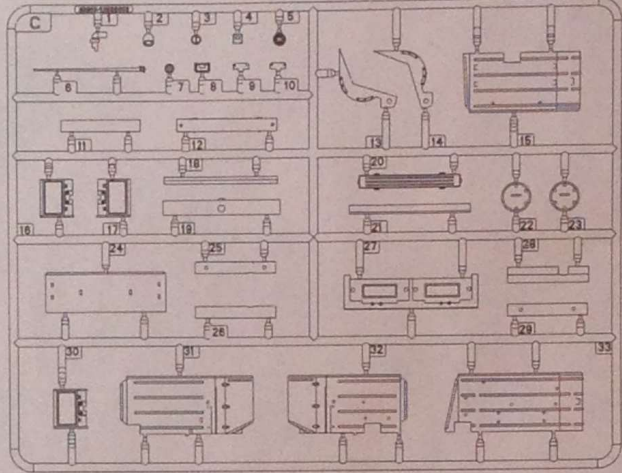
- 一、把相关的印花从水贴上剪下, 放入40°C左右的温水中浸10秒。
- 二、然后将印花放在干净的布上。
- 三、拿上印花纸, 手指蘸水将印花移到适当的位置。
- 四、用软干布轻压印花直至水干, 气泡消失。

部品图  
Parts

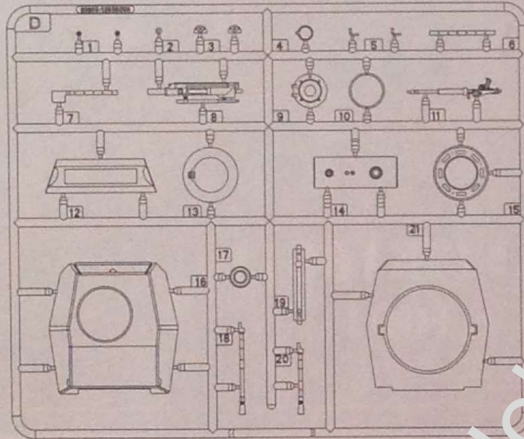
AX2



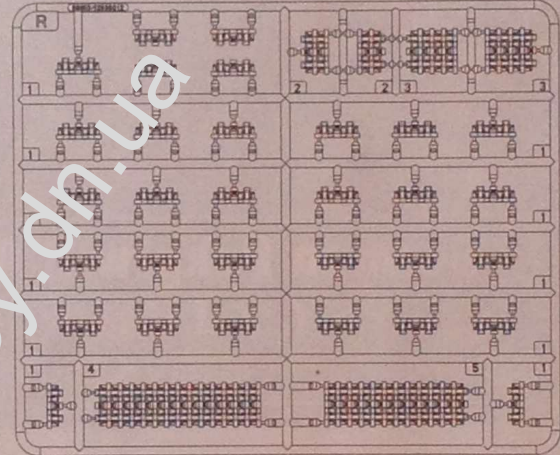
C



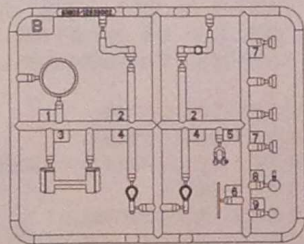
D



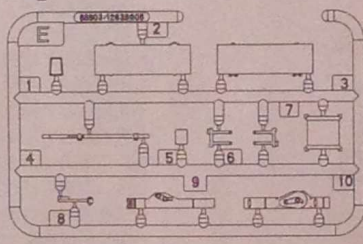
RX2



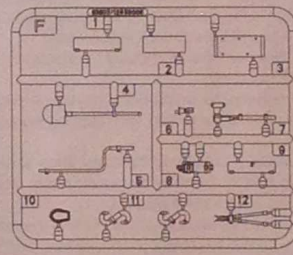
BX2



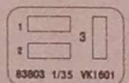
E



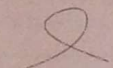
F



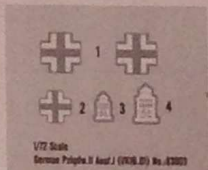
透明片  
Transparent part



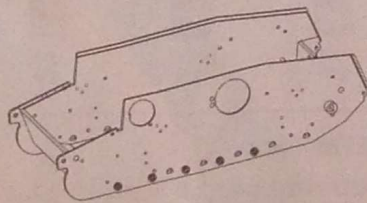
棉绳  $\varnothing 0.6 \times 300$ mm  
Rope



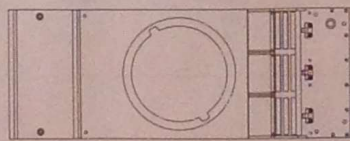
水贴纸  
Decal



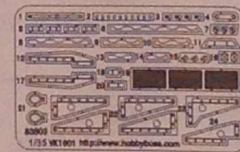
车底  
Lower hull



车面  
Upper hull

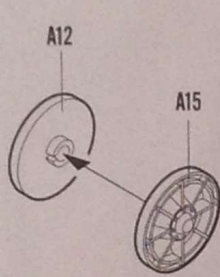


蚀刻片  
PE

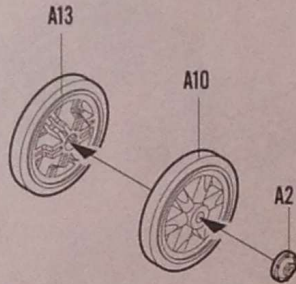


不用部品: A16x1、A20x1、D3x1、D5x1、  
Unused parts:

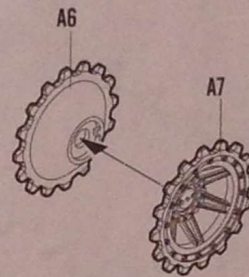
**1**  
STEP



<<A>> 制作2组  
Make two

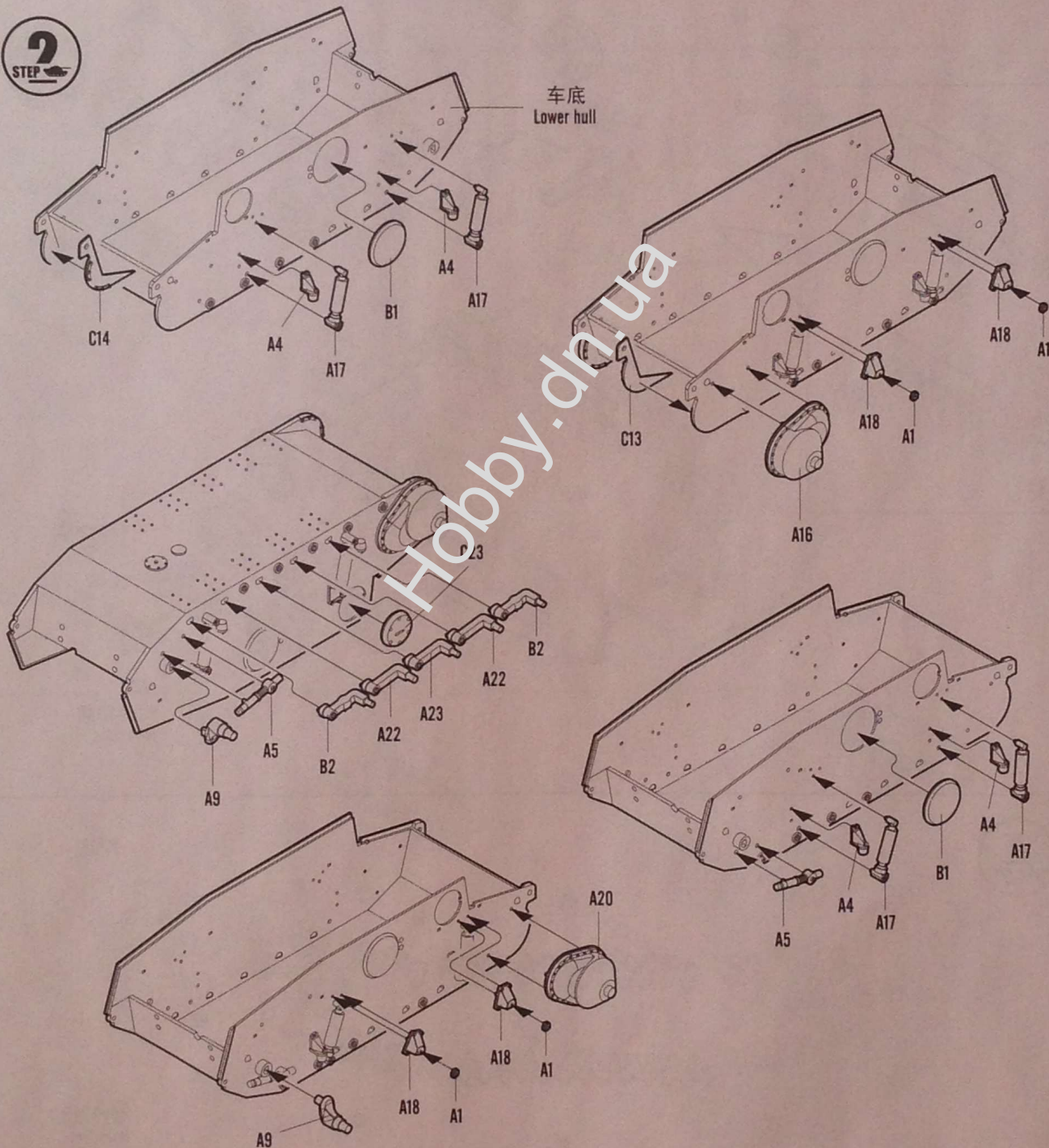


<<B>> 制作6组  
Make six

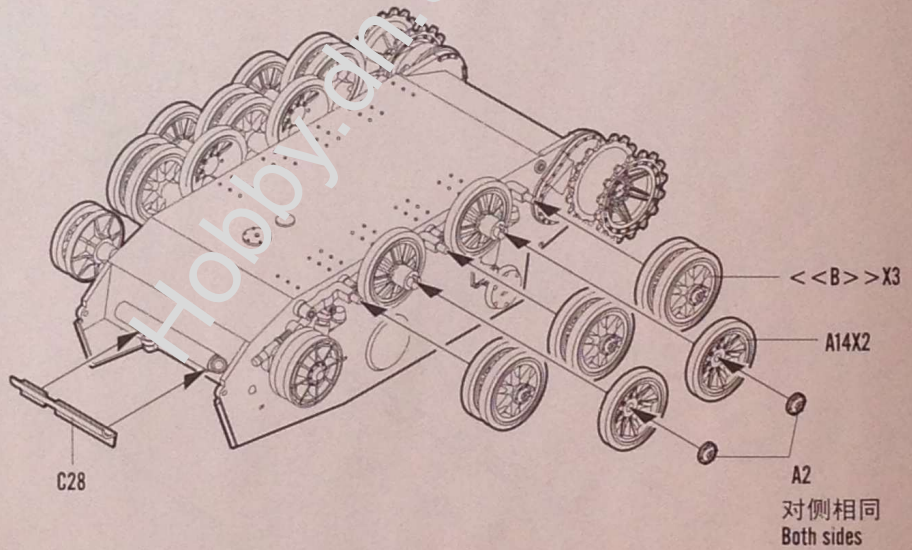
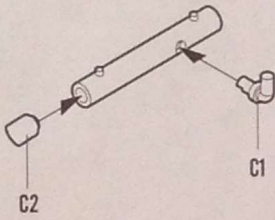
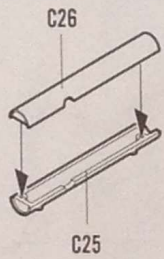
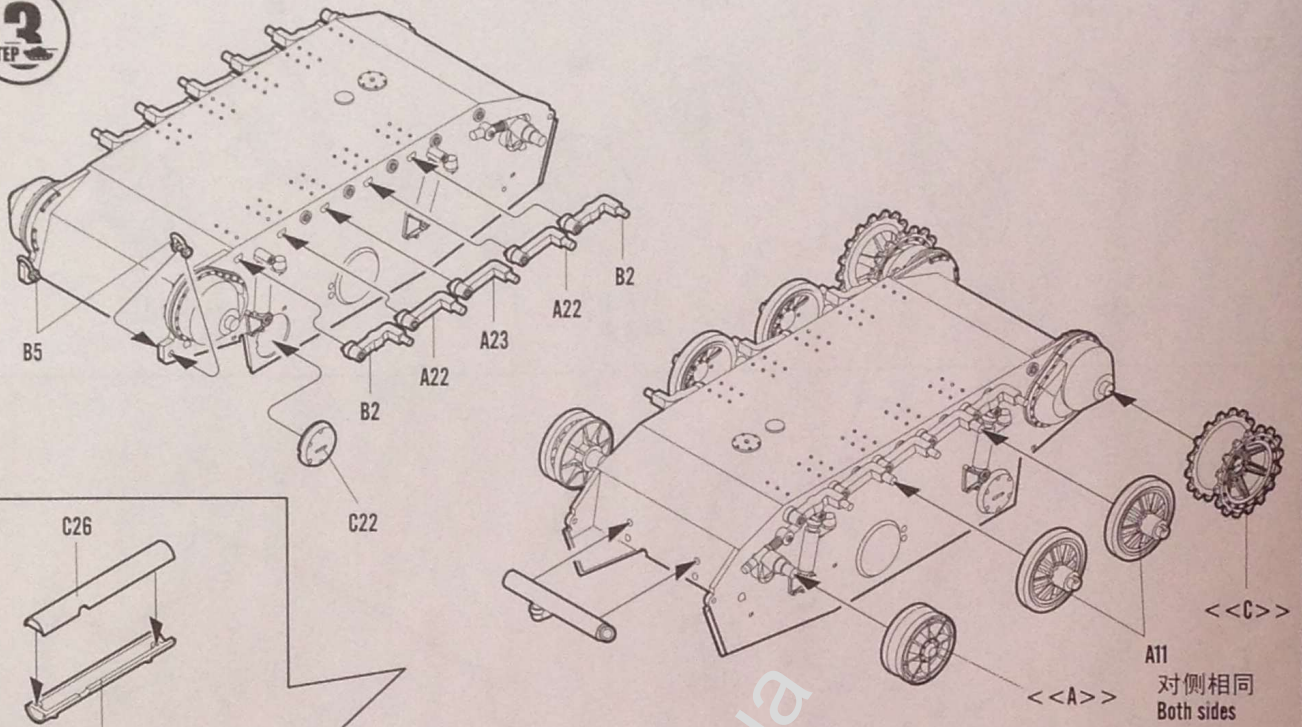


<<C>> 制作2组  
Make two

**2**  
STEP

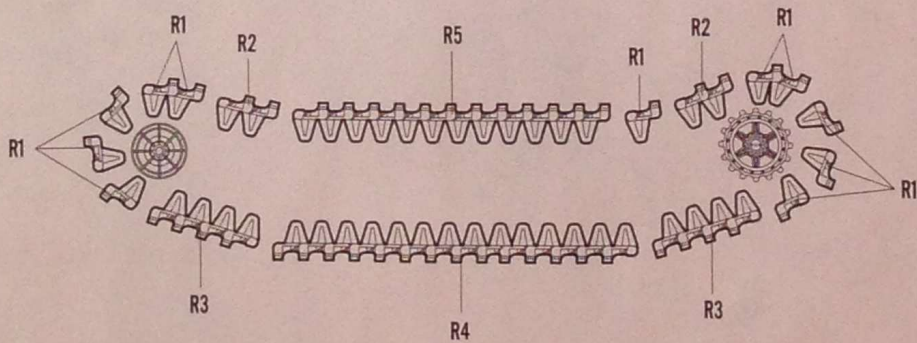


**3**  
STEP

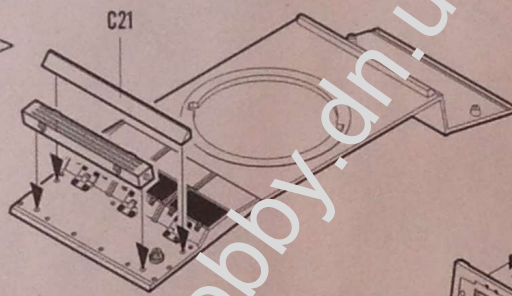
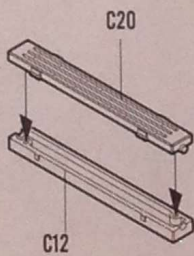
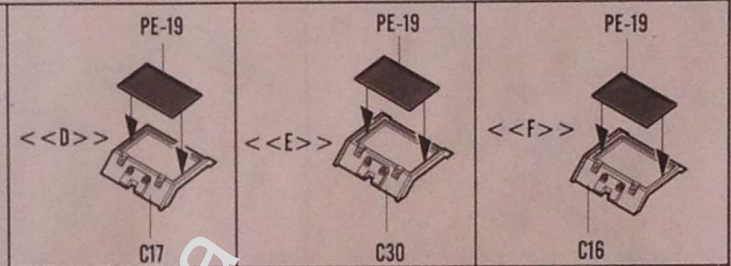
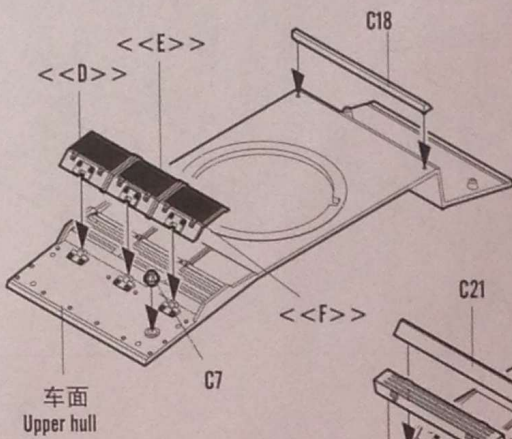
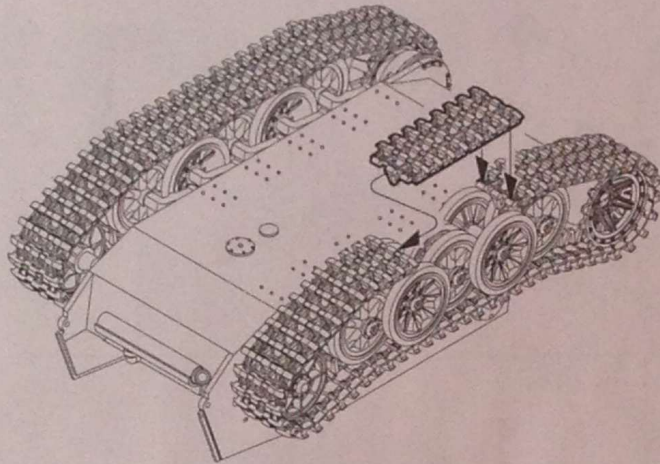


**A**  
STEP

R1X26



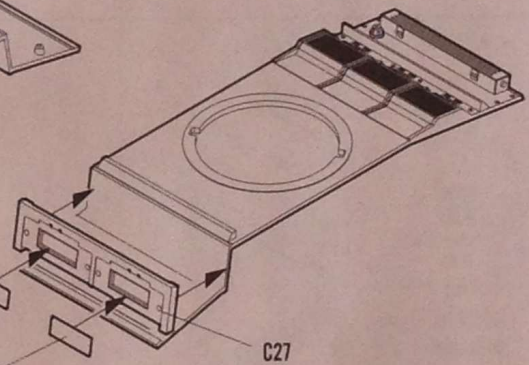
5  
STEP



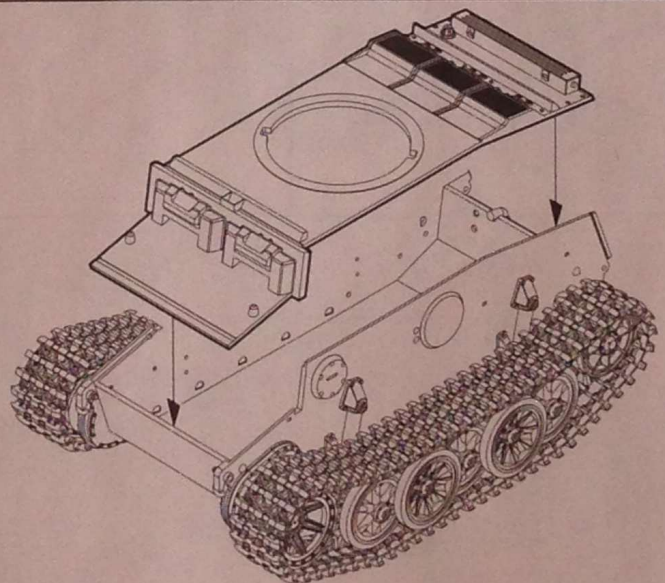
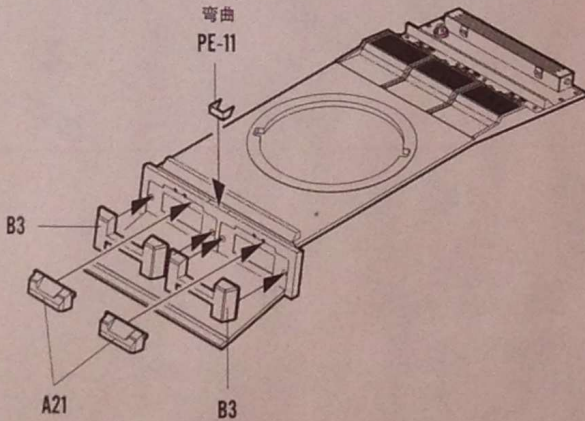
Hobby.dn.ua

透明片-1  
Transparent part-1

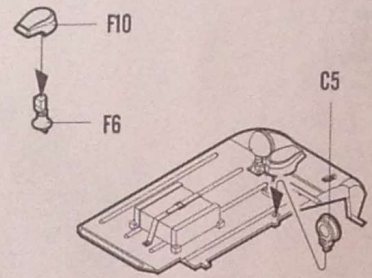
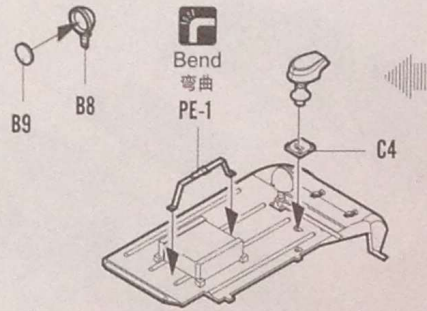
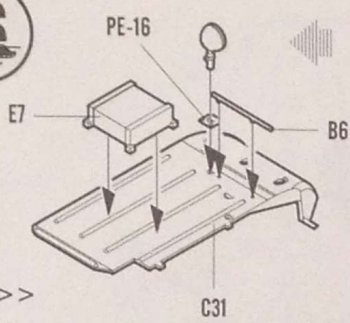
透明片-2  
Transparent part-2



Bend  
弯曲  
PE-11



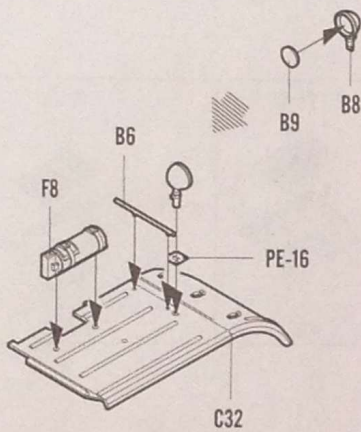
STEP 6



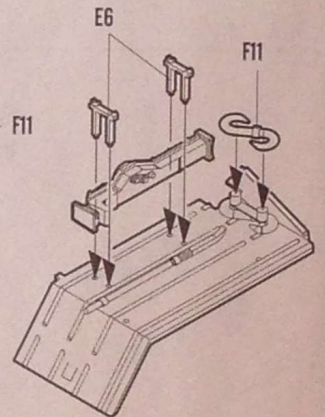
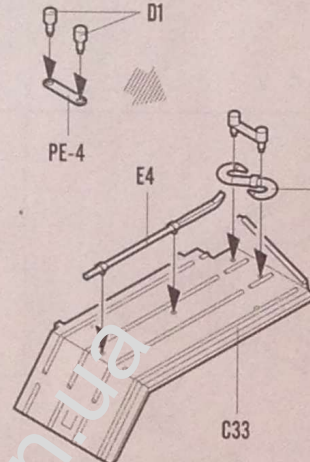
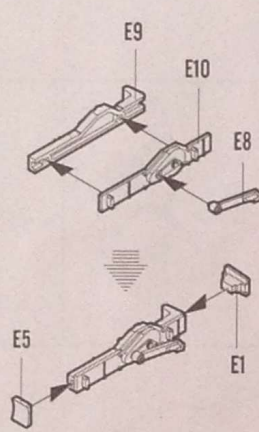
<<G>>

C31

<<H>>



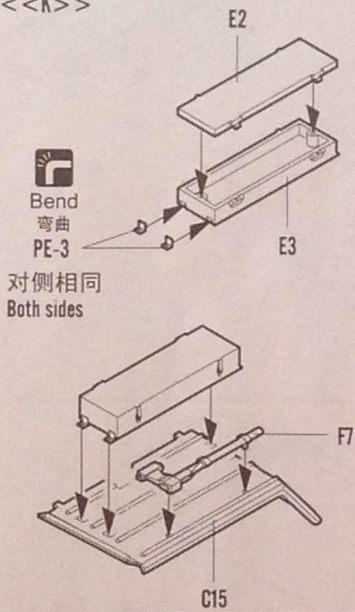
<<I>>



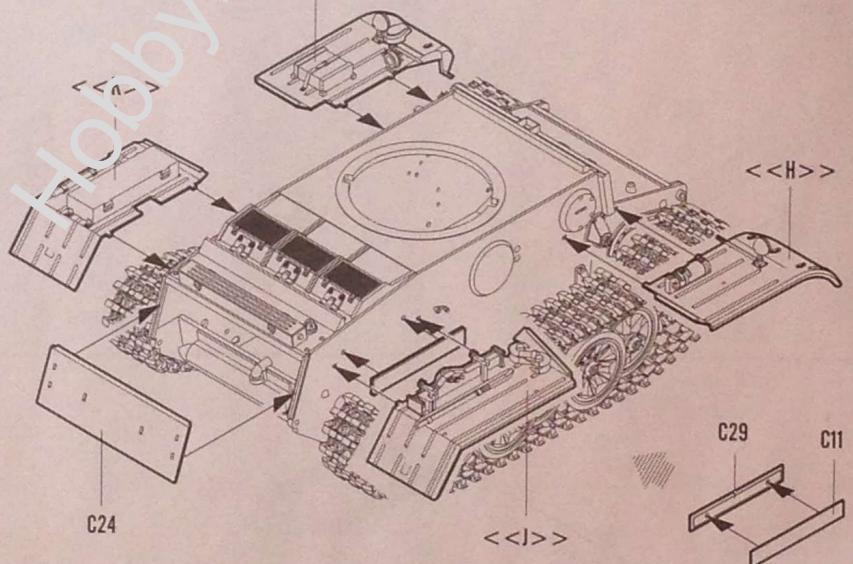
C32

C33

<<K>>



<<G>>



C24

C29

C11

<<I>>

PE-8

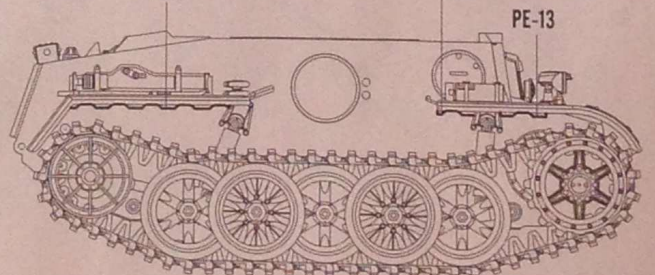
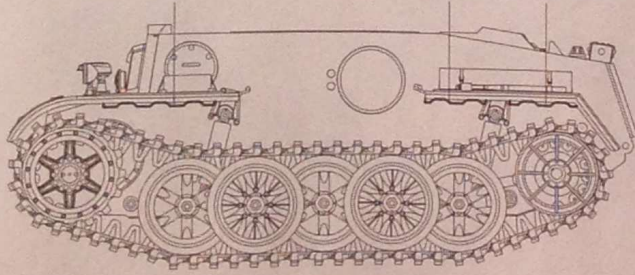
PE-10

PE-9

PE-6

PE-14

PE-13



**7**  
STEP

**Bend**  
弯曲

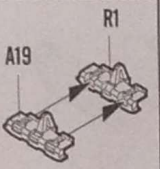
PE-24

PE-22

**Bend**  
弯曲

PE-17

**Bend**  
弯曲



制作2组  
Make two

PE-12

**Bend**  
弯曲

F12

F2

C10

C9

F3

F1

F9

A3

A3

C3

PE-20

**Bend**  
弯曲

**Bend**  
弯曲

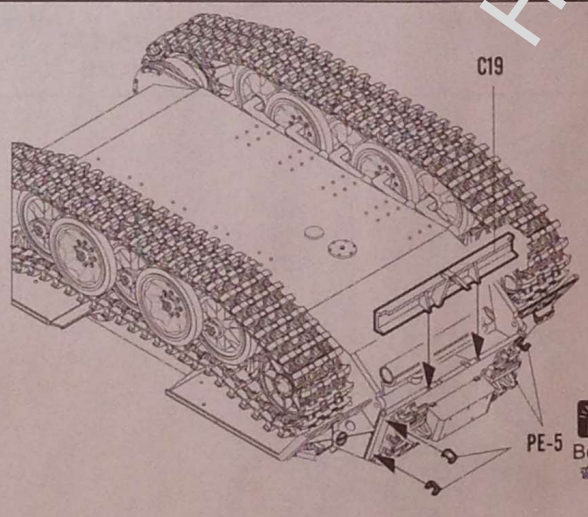
PE-18

F4

PE-22

**Bend**  
弯曲

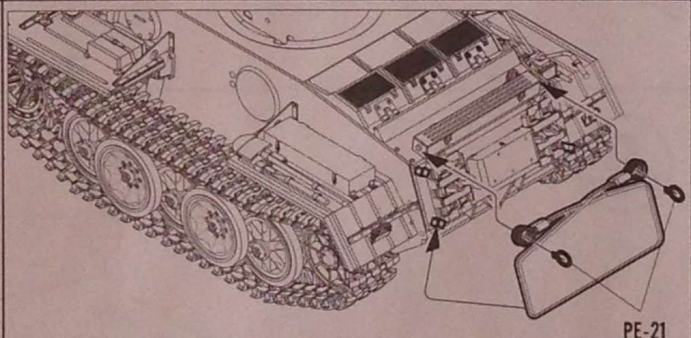
Hobby.dh.ua



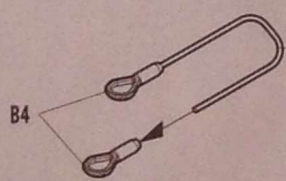
C19

PE-5

**Bend**  
弯曲



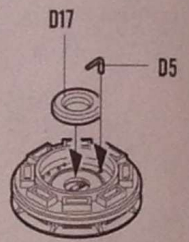
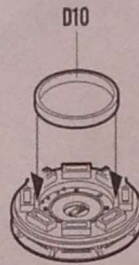
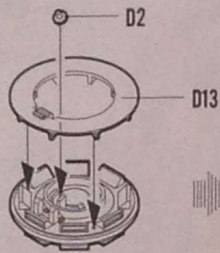
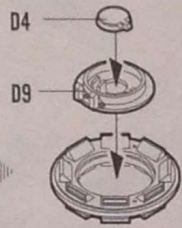
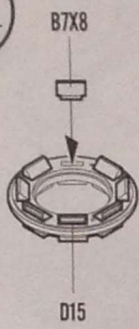
PE-21



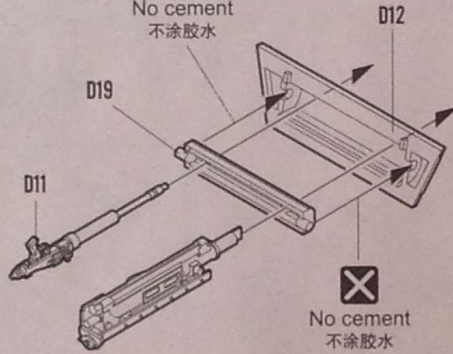
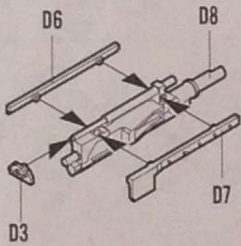
棉绳  $\varnothing 0.6 \times 130\text{mm}$   
Rope

制作2组  
Make two

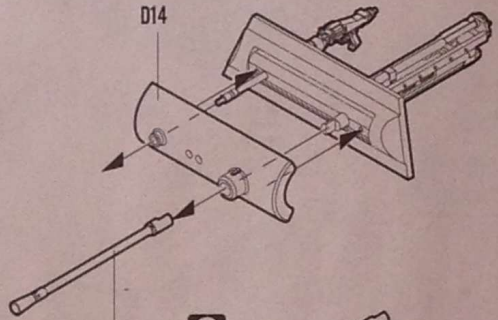
8  
STEP



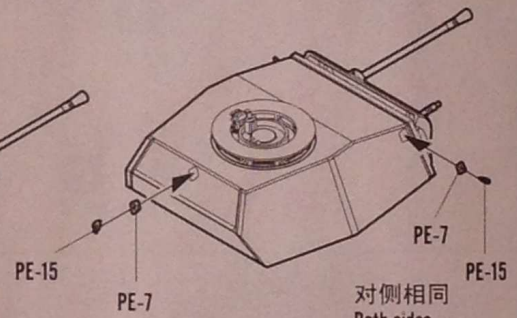
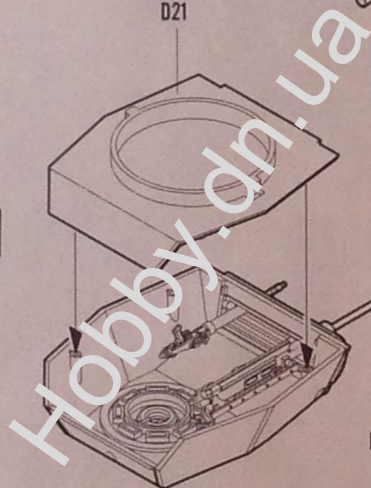
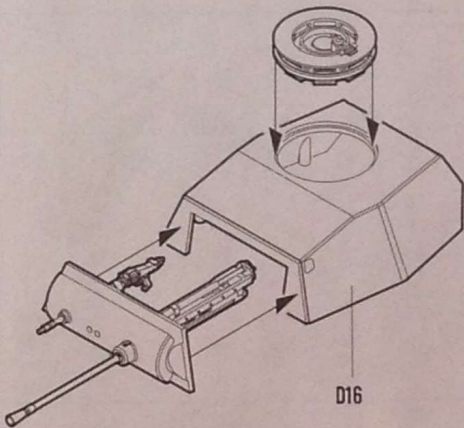
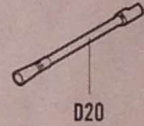
⊗  
No cement  
不涂胶水



⊗  
No cement  
不涂胶水

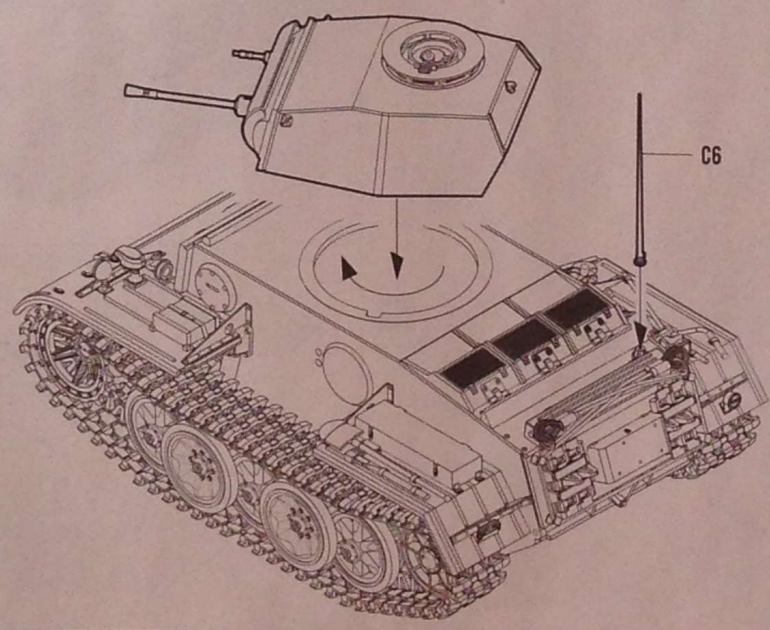


?  
Option  
选择

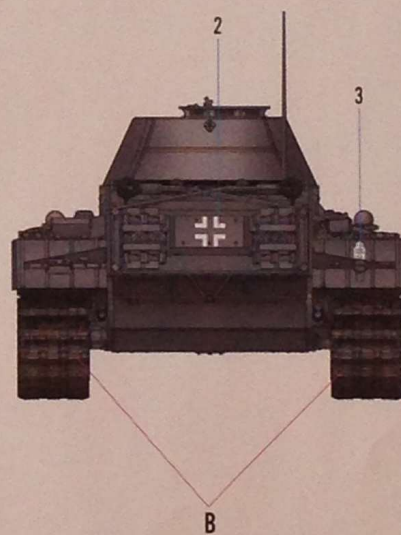
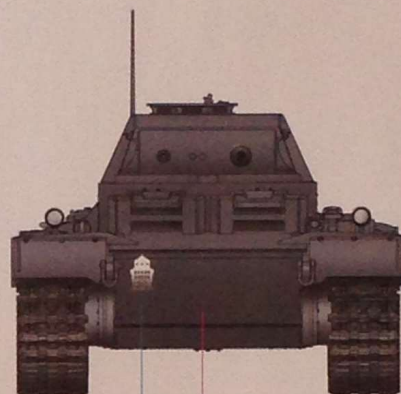
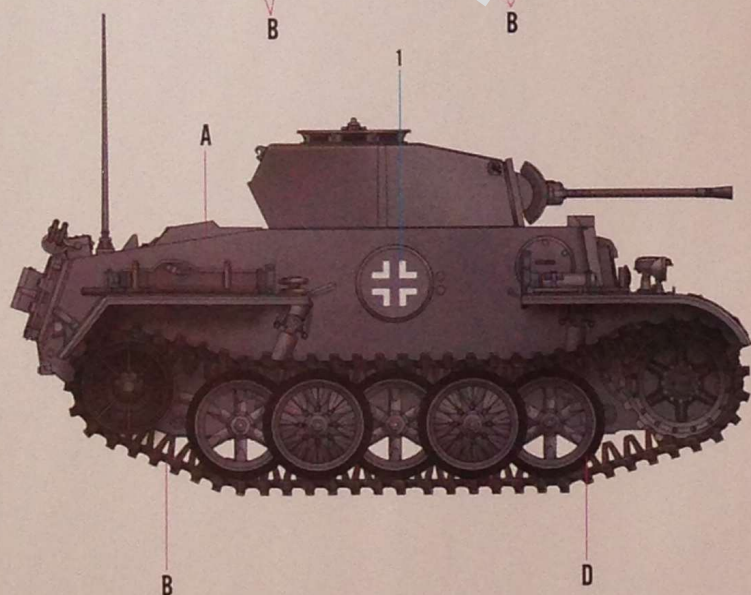
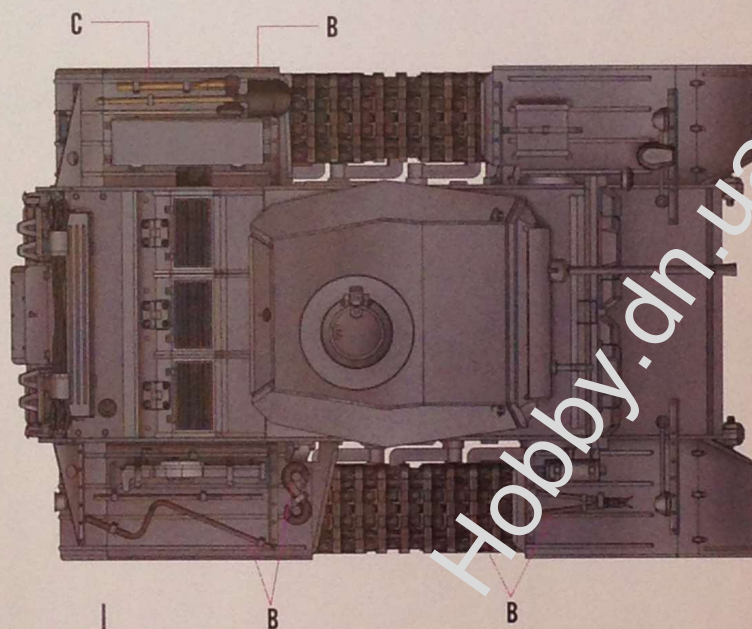


对侧相同  
Both sides

9  
STEP







Color	Mr.Hobby	Vallejo	Model Master	Tamiya	Humbrol
A 德国灰 German Gray	H[32] 40	830	--	XF22	111
B 黑铁色 Steel	H[18] 26	864	1402	--	--
C 木棕色 Wood Brown	H[37] 43	983	1701	--	186
D 胎黑色 Tyre Black	H[77] 137	--	--	--	--