

1:35 Scale

ITEM No.:83807



# 4.7 cm Pak(t) Sfl.auf Fgst. Pz.Kpfw.35 R 731(f)

ドイツ 4.7cm対戦車自走砲 R35(f)

德国Pz.Kpfw.35 R 731(f) 47毫米自行反坦克炮

### PLEASE READ BEFORE OPERATION!

- \* Tools recommended as below: (Not included)  
Adhesives; Paints; Side Cutters; Sharp Edged Pliers; Modeling Knife; Modeling File; Nippers; Drill; Scissors; Sand Paper; Soft Cloth; Cyanoacrylate Glue.
- \* Make sure to read this instruction listed below before assembling.
- \* The kit contains the small parts, they can be dangerous if swallowed by mistake, so keep them away from reach of children.
- \* Cut the all parts off carefully and remove the waste parts into the garbage can.
- \* More caution and care should be needed for cutting and handling the photo etched parts.
- \* Make attention that some parts should be attached the decal when assembled.
- \* During assembling, please tear up and throw away the plastic bags, or may cause the dangerous if wearing over head by children's mistake.
- \* When using the adhesives and paints, please do not use them in the closed room or near the fire, also must be very careful to protect your eyes, face and clothes.
- \* Adult supervised when assembled by children under 14 years old.

### 装配前请仔细阅读:

- \* 推荐使用的模型工具(请自备):  
专用模型胶水, 专用模型油漆, 水口剪刀, 长咀钳, 刀片, 锉刀, 镊子钳, 钻, 剪刀, 软布, 砂纸, 瞬间快干胶等。
- \* 用水口剪刀或刀片小心切下所有塑胶零件和蚀刻片零件, 不要遗失小零件。
- \* 切取蚀刻片时应特别注意防止利边划伤手指。
- \* 用模型锉刀小心锉平所有零件表面的注射浇口。
- \* 用适量的强力快干胶水粘合蚀刻片零件和金属轴, 切忌过量, 否则可能导致可动零件被粘住。
- \* 注意某些零件表面需在装配时同步贴水上贴纸。
- \* 制作时应远离幼儿并将包装袋及时收妥, 谨防小孩玩耍而引起意外。



cyanoacrylate glue  
强力胶



weight  
配重



make hole  
钻孔



cut / remove  
切除



option  
选择



no cement  
不涂胶水



decal  
贴纸



bend  
弯曲



repair  
填补

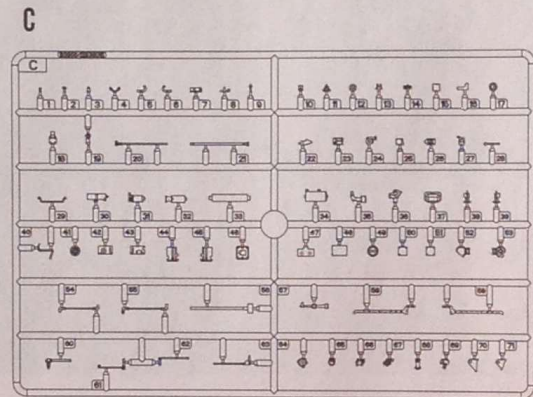
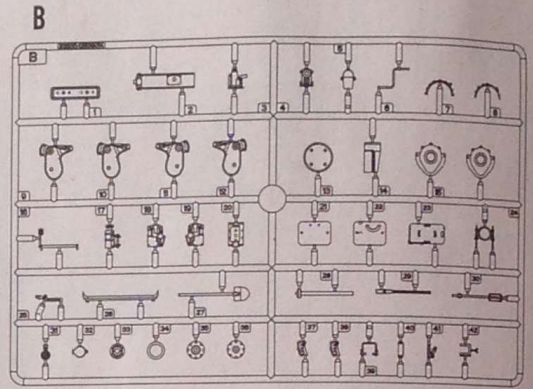
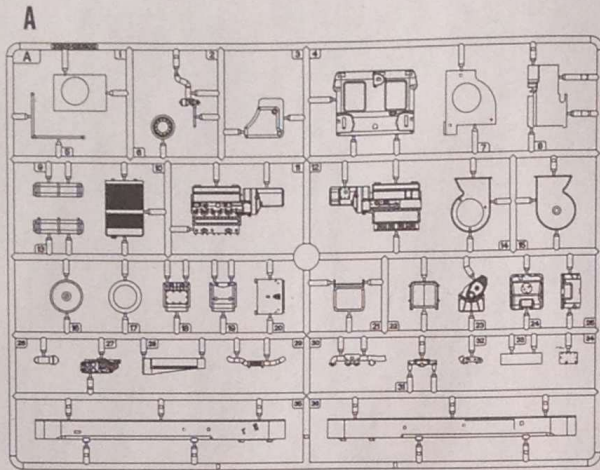
### The method to apply the decals

1. Cut off the decal from the decal paper and put it into the warm water 40°C for 10 seconds.
2. Take the decal from the water and put it on a piece of clean cloth.
3. Remove the decal slowly from the paper to the targeted location by a wet finger.
4. Use a piece of dry and soft cloth to press it gently on the decal until it getting dry and no bubble existing.

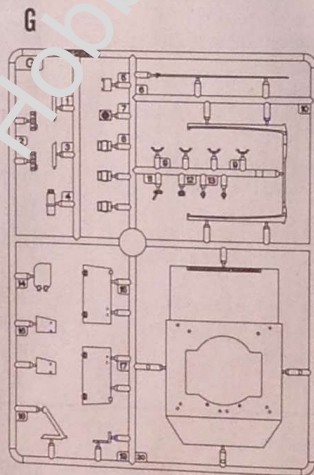
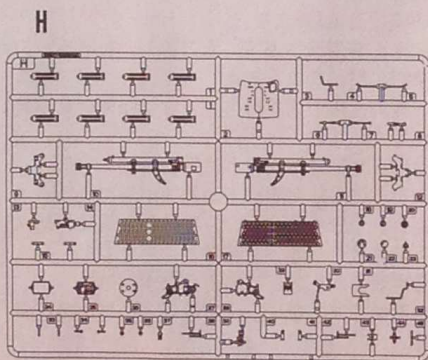
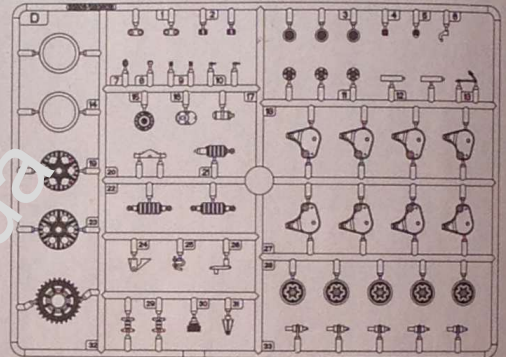
### 水贴纸的使用方法:

- 一. 把相关的印花从水贴上剪下, 放入40°C左右的温水中浸10秒。
- 二. 然后将印花放在干净的布上。
- 三. 拿上印花纸板, 手指蘸水将印花移到适当的位置。
- 四. 用软干布轻压印花直至水干, 气泡消失。

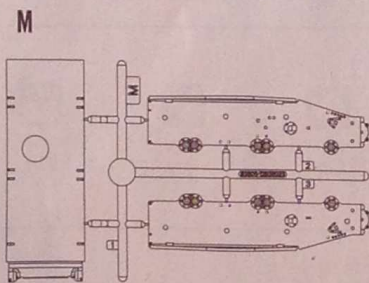
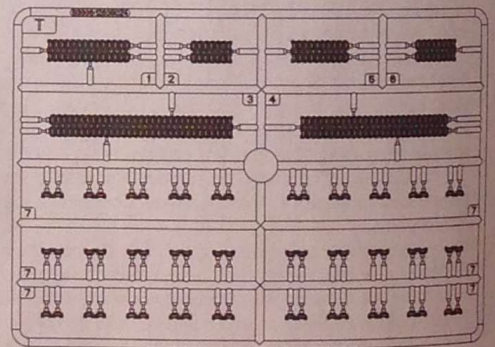
部品图  
Parts



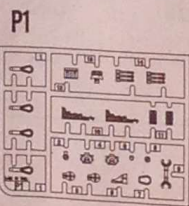
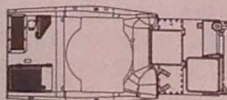
DX2



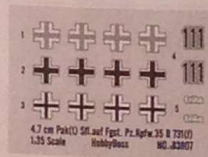
TX2



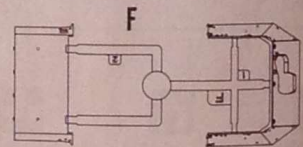
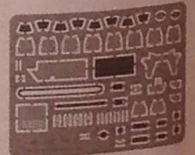
车面  
Upper hull



贴纸  
Decal

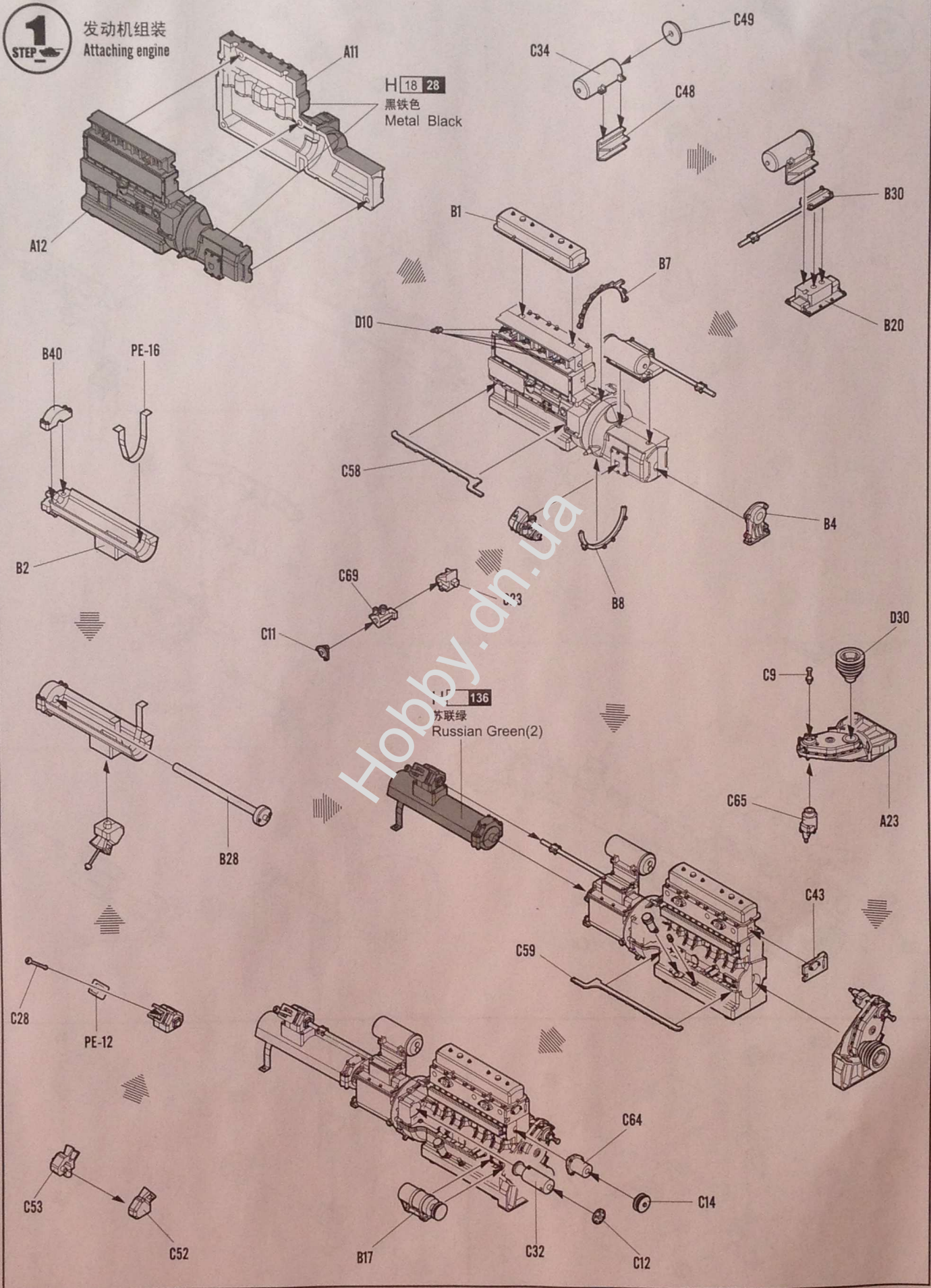


蚀刻片  
PE

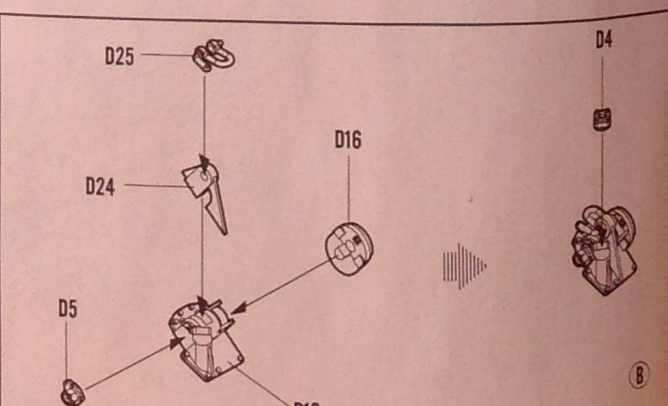
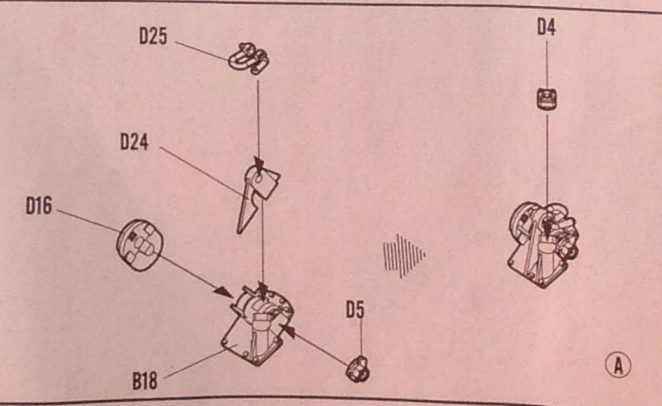
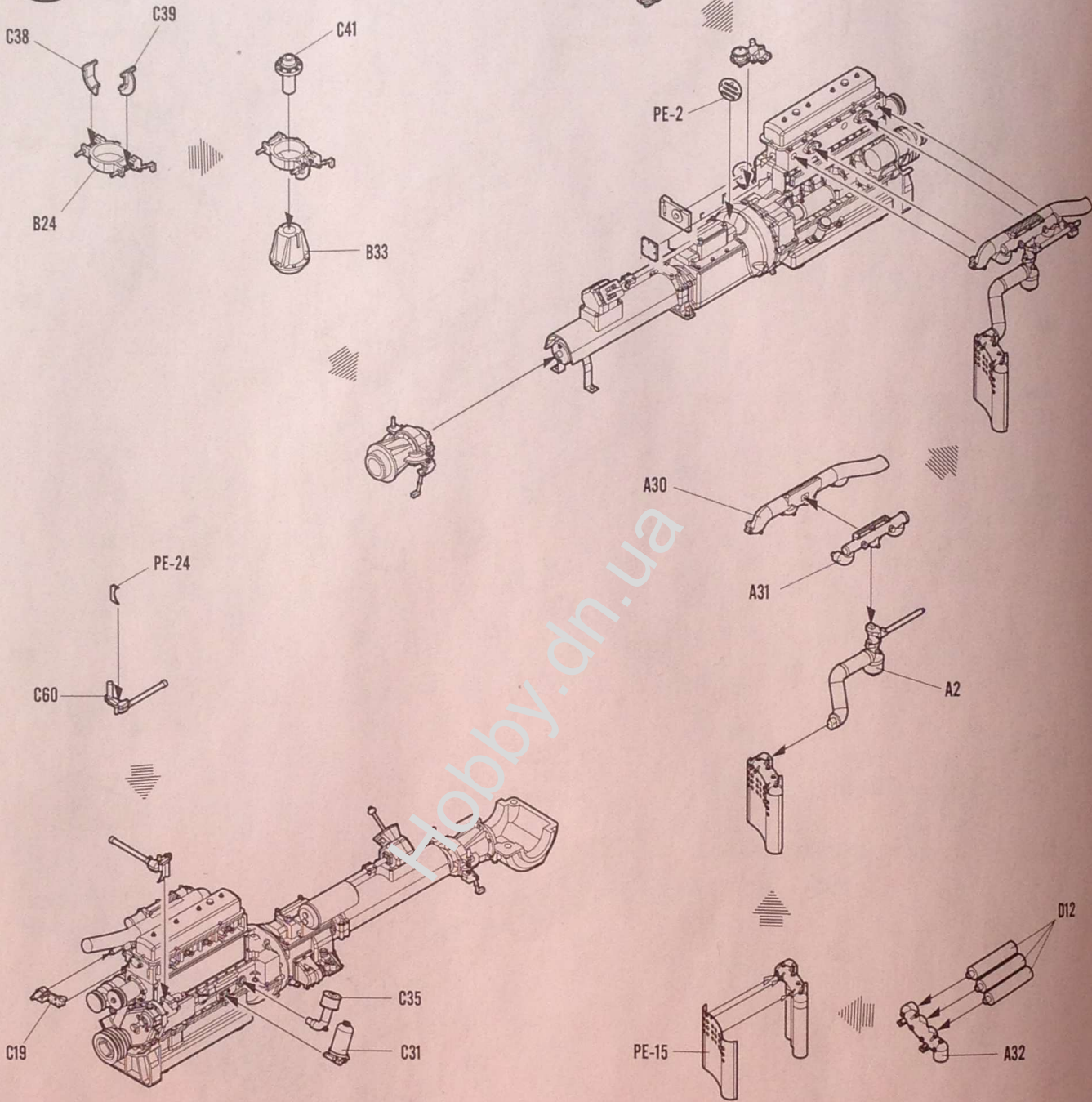


**1**  
STEP

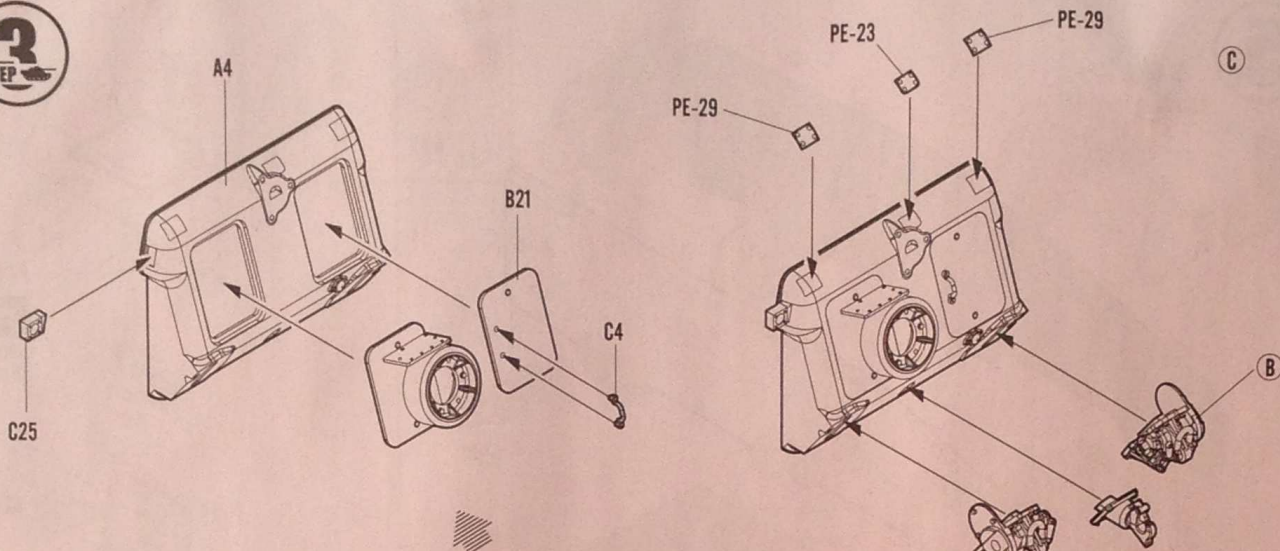
发动机组装  
Attaching engine



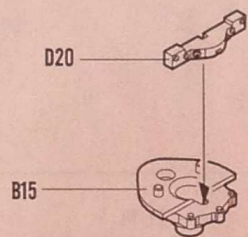
**2**  
STEP



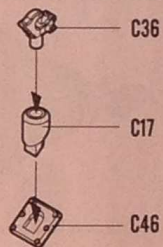
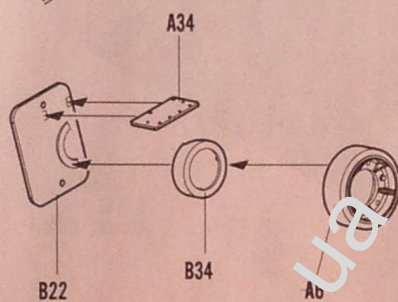
3  
STEP



D

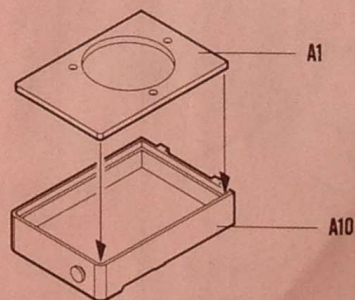
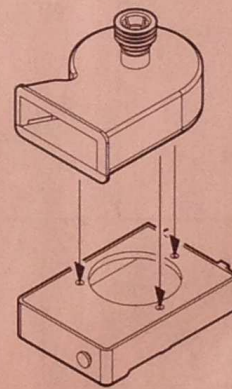
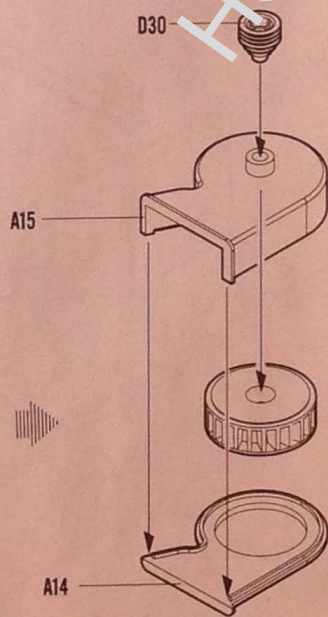
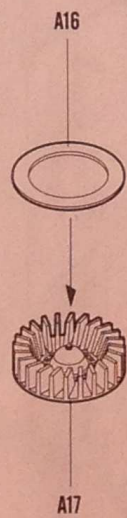


制作2组  
Make two



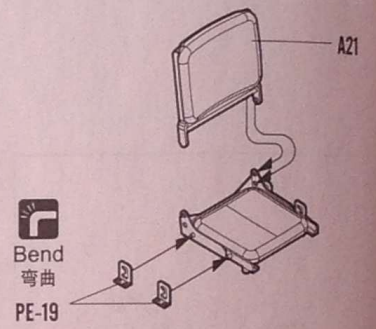
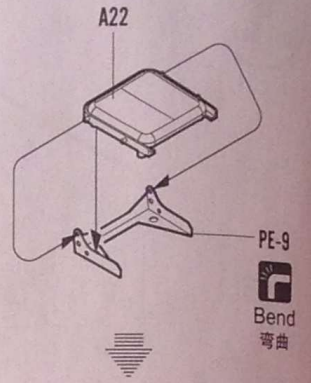
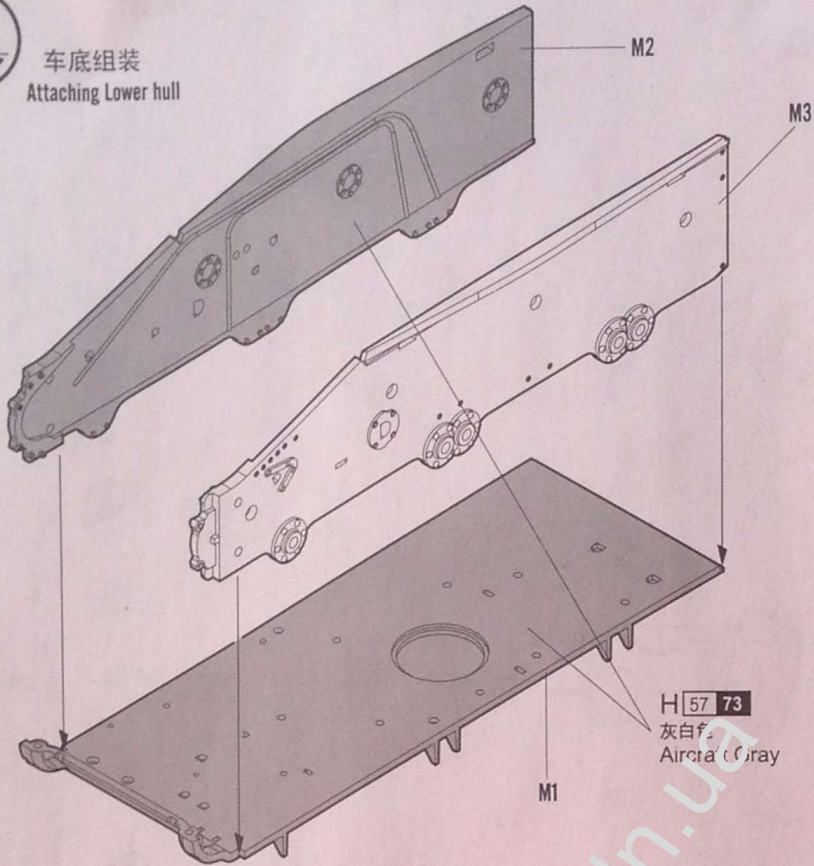
STEP  
1

E

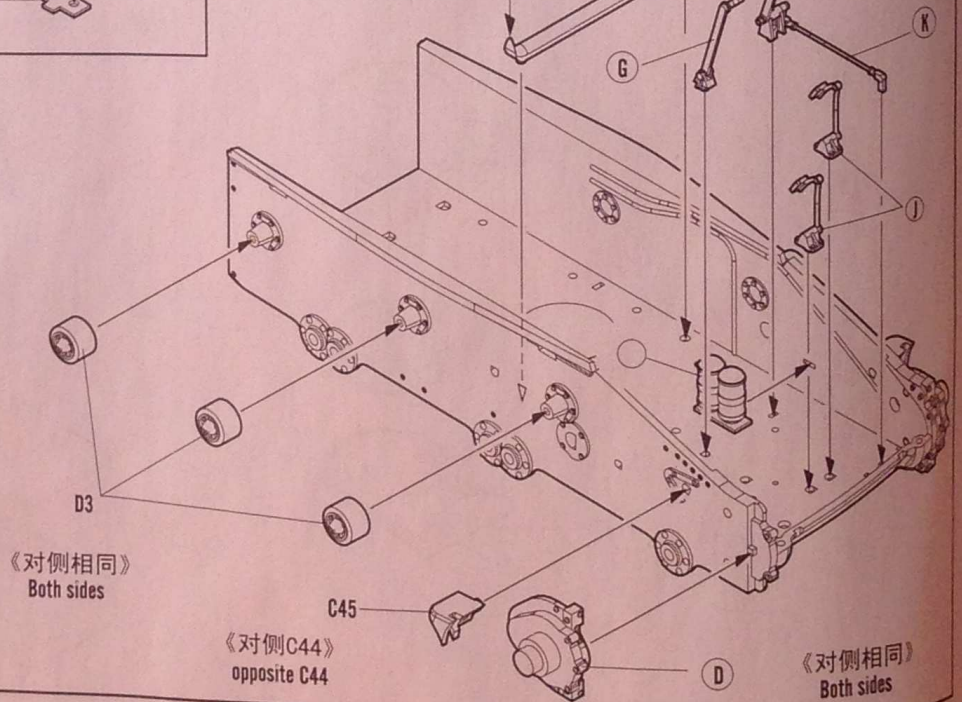
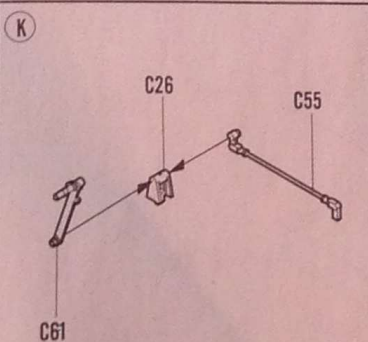
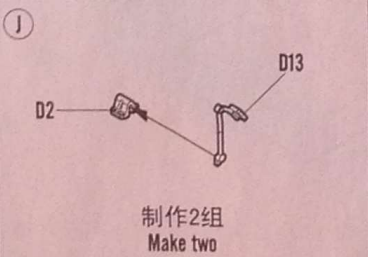
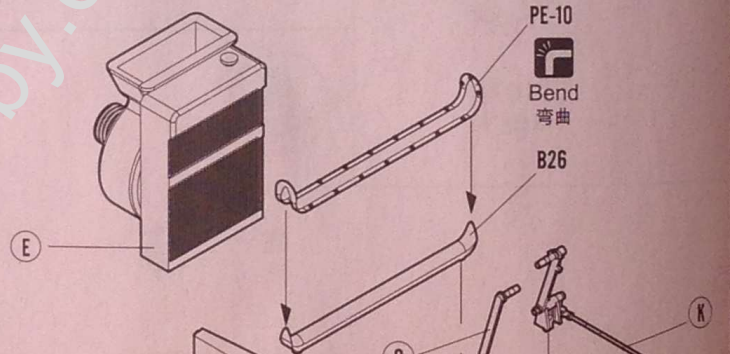
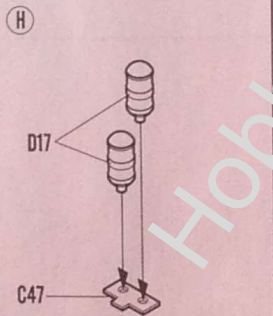
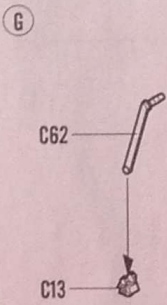




车底组装  
Attaching Lower hull

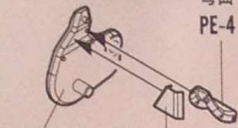
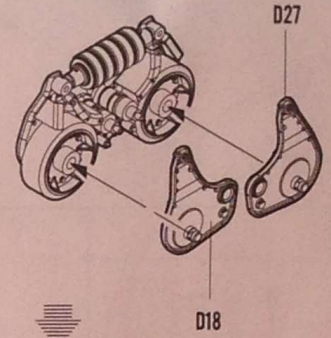
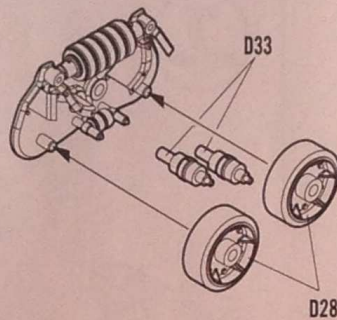
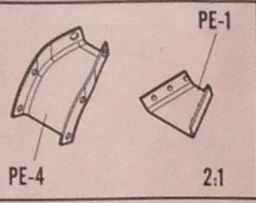


《对侧相同》  
Both sides

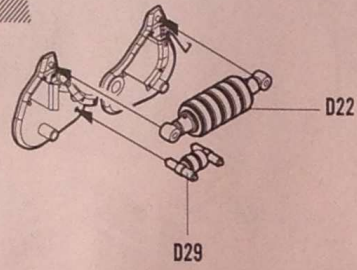




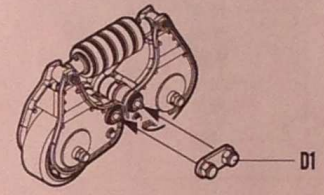
Bend  
弯曲  
PE-4



Bend  
弯曲  
PE-1

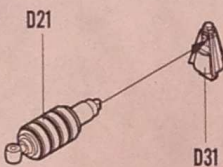


负重轮A  
Road wheel  
制作4组  
Make four



Bend  
弯曲  
PE-4

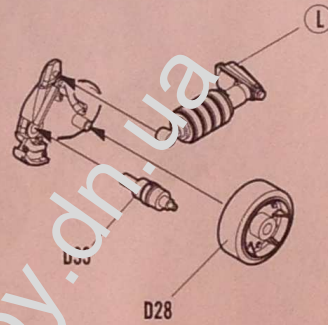
Bend  
弯曲  
PE-1



制作2组  
Make two

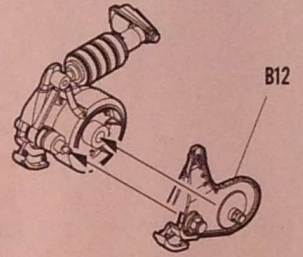


Bend  
弯曲  
PE-1

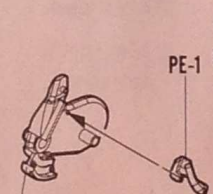


D28

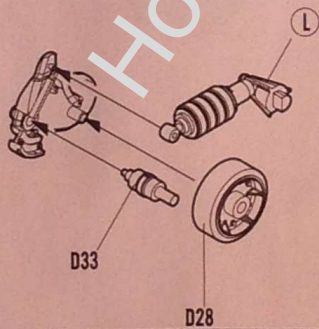
负重轮B  
Road wheel



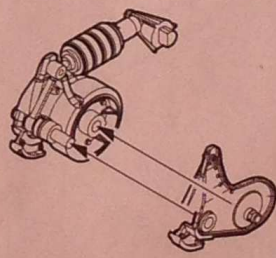
B12



Bend  
弯曲  
PE-1

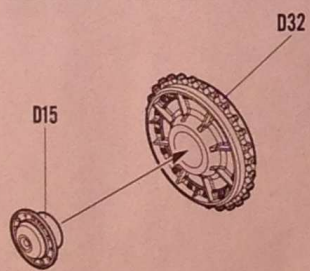


D28

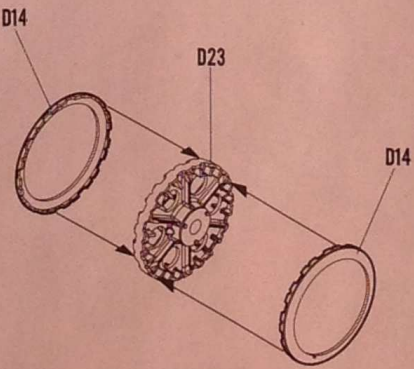


负重轮C  
Road wheel

B12

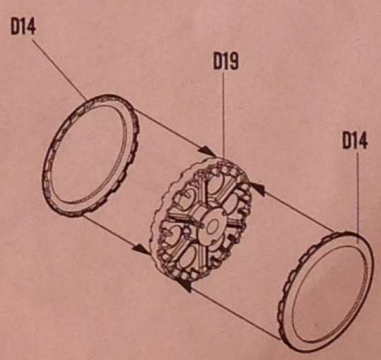


主动轮  
Sprocket wheel  
制作2组  
Make two



诱导轮A  
Idler wheel

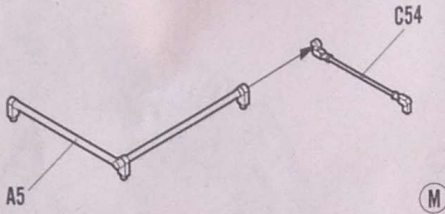
制作2组  
Make two



诱导轮B  
Idler wheel

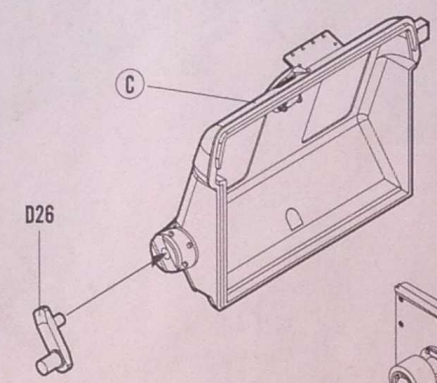
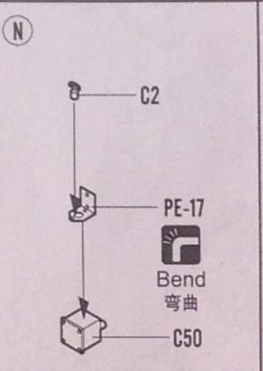
制作2组  
Make two

**7**  
STEP



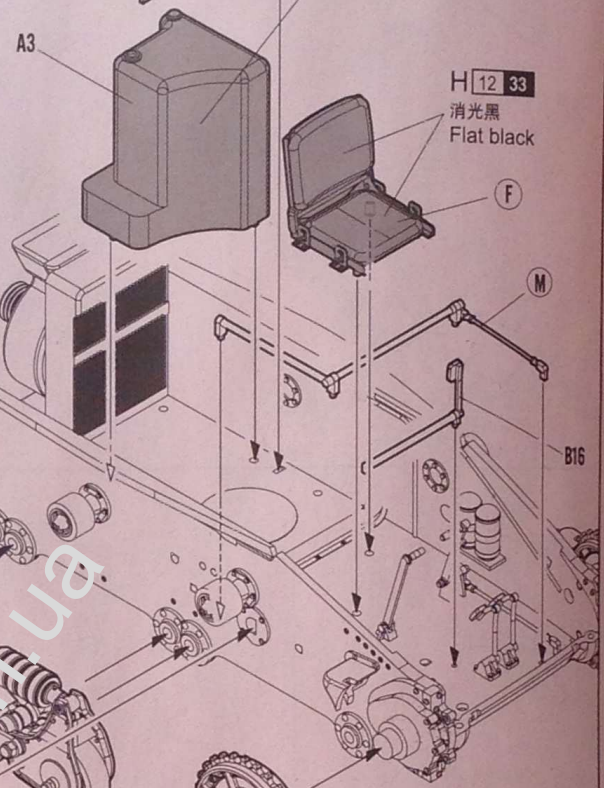
A8  
H 57 73  
灰白色  
Aircraft Gray

H 12 33  
消光黑  
Flat black



《对侧相同》  
Both sides

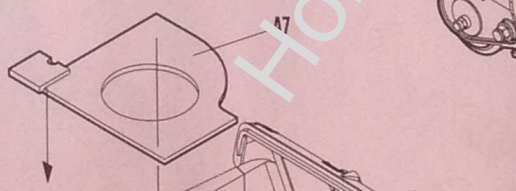
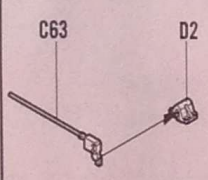
《对侧相同》  
Both sides  
负重轮A  
Road wheel



主动轮  
Sprocket wheel

《对侧相同》  
Both sides

负重轮C  
Road wheel



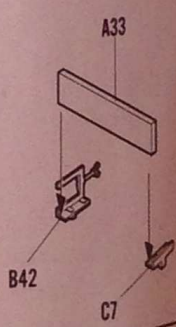
?  
Option  
选择

诱导轮A  
Idler wheel

《对侧相同》  
Both sides

诱导轮B  
Idler wheel

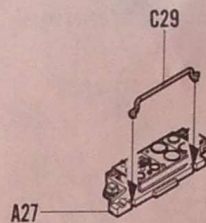
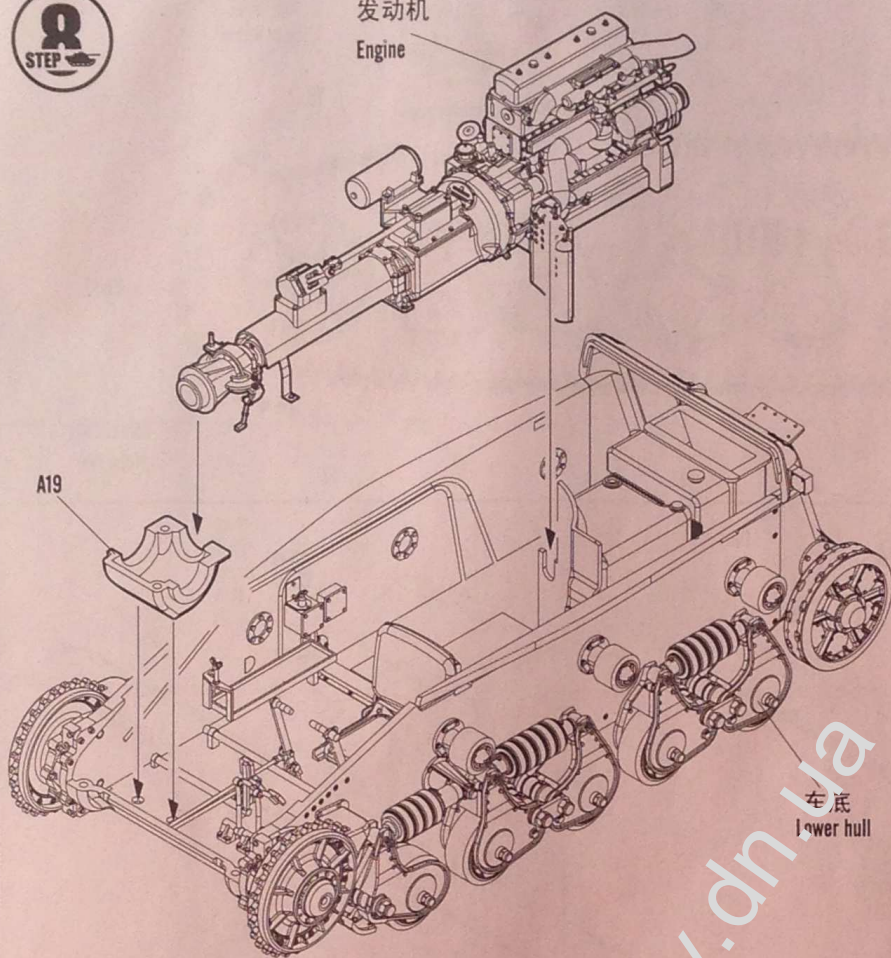
负重轮B  
Road wheel



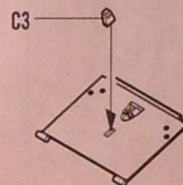
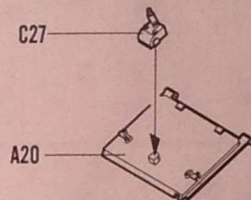




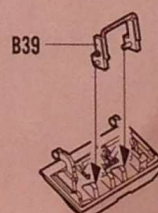
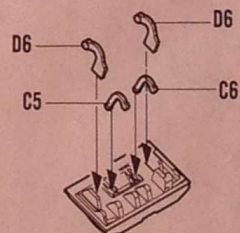
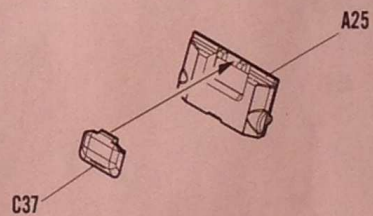
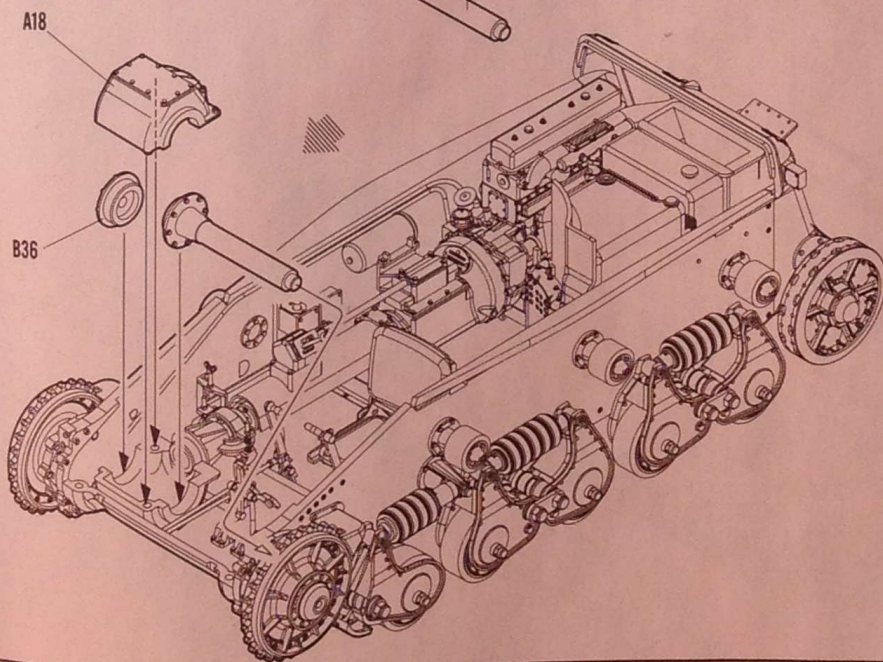
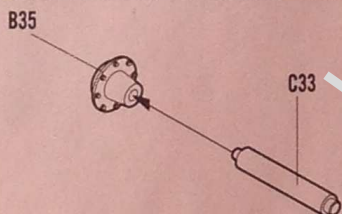
发动机  
Engine



Q



R

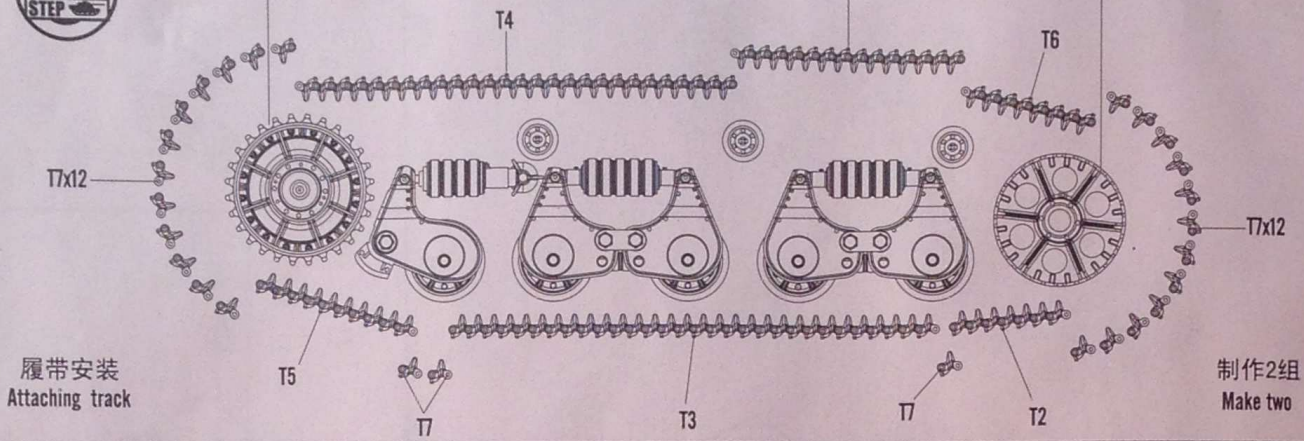


S

STEP 9

主动轮  
Sprocket wheel

诱导轮  
Idler wheel



履带安装  
Attaching track

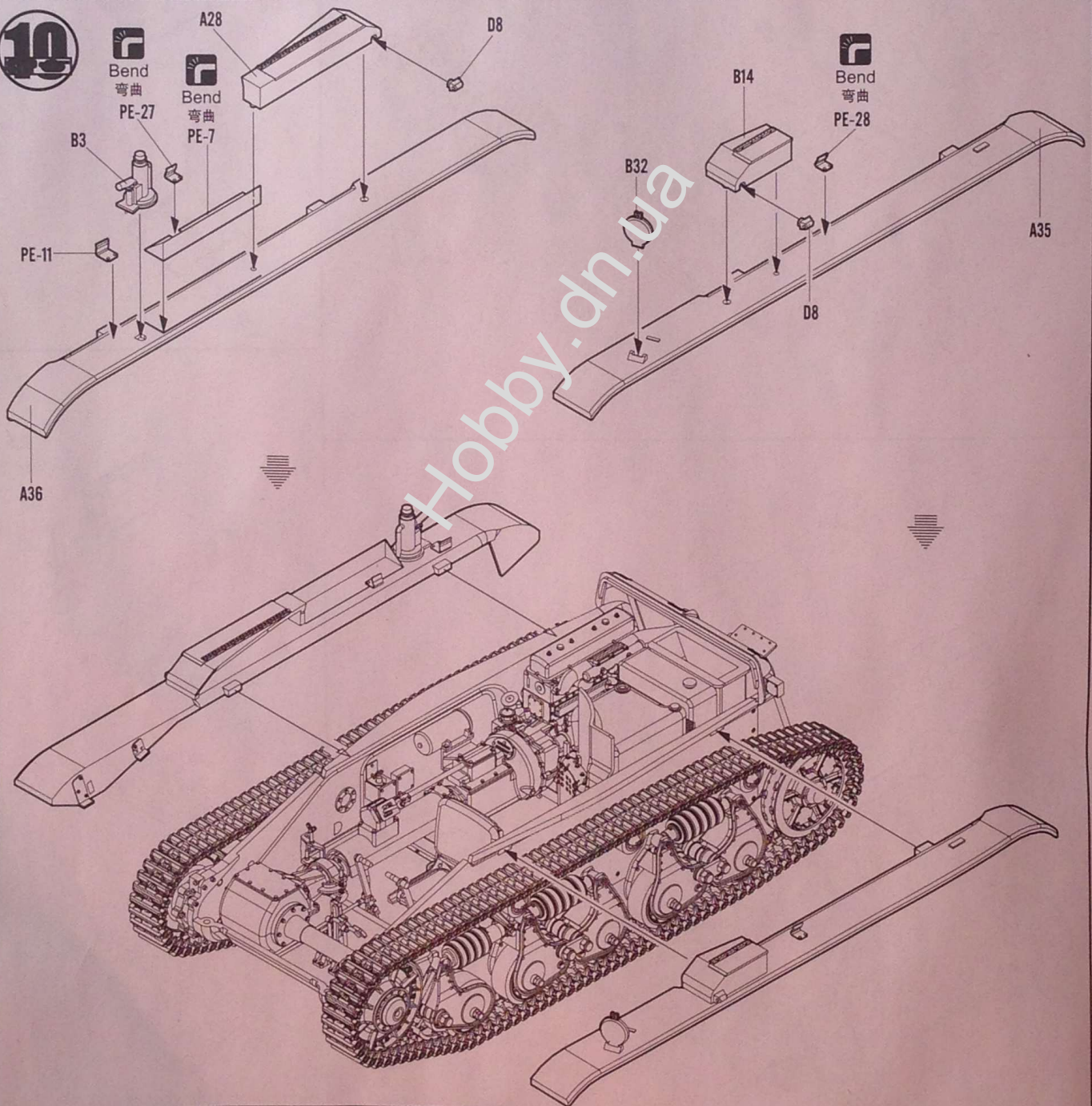
制作2组  
Make two

STEP 10

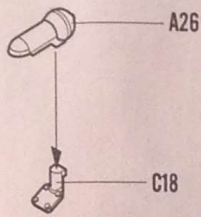
Bend  
弯曲  
PE-27

Bend  
弯曲  
PE-7

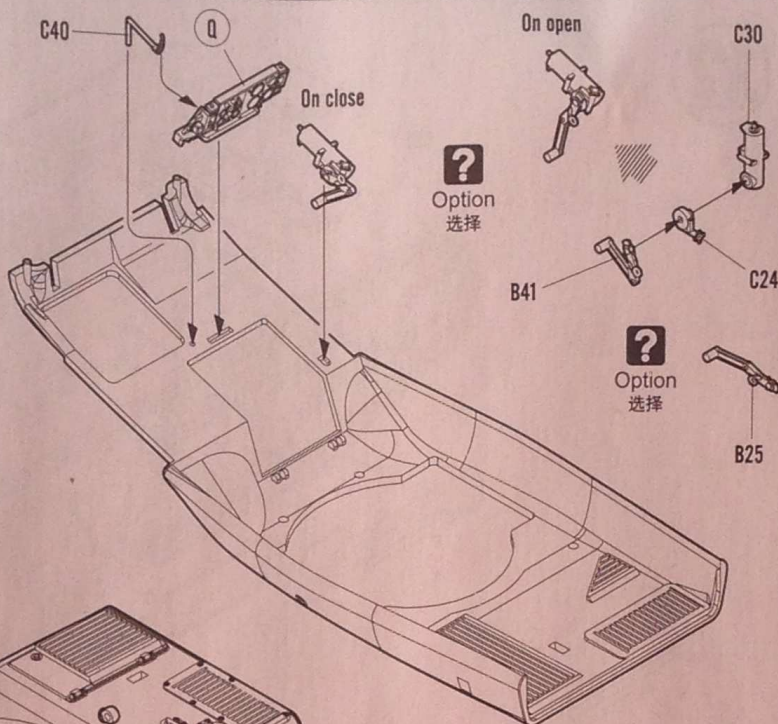
Bend  
弯曲  
PE-28



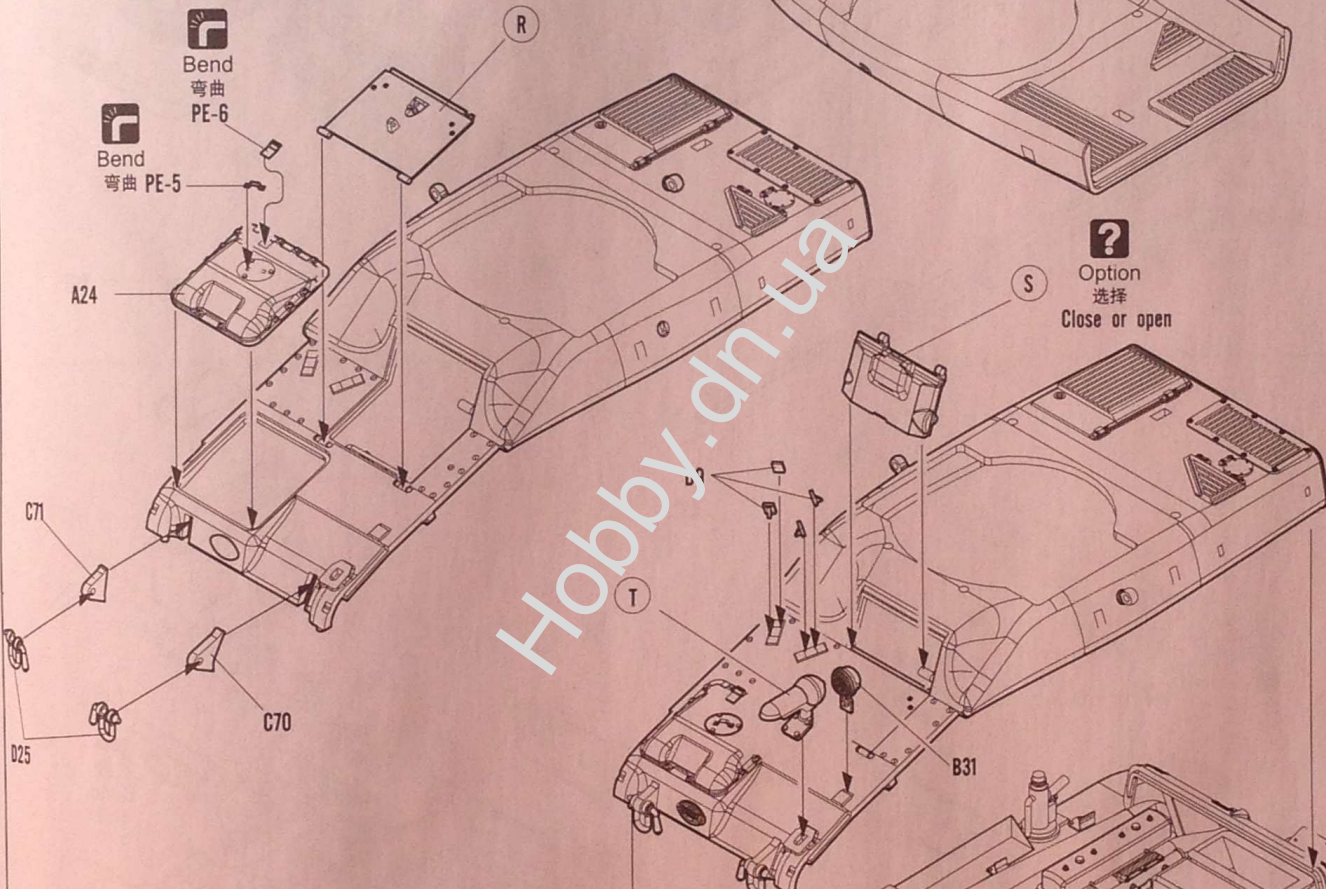
11



T

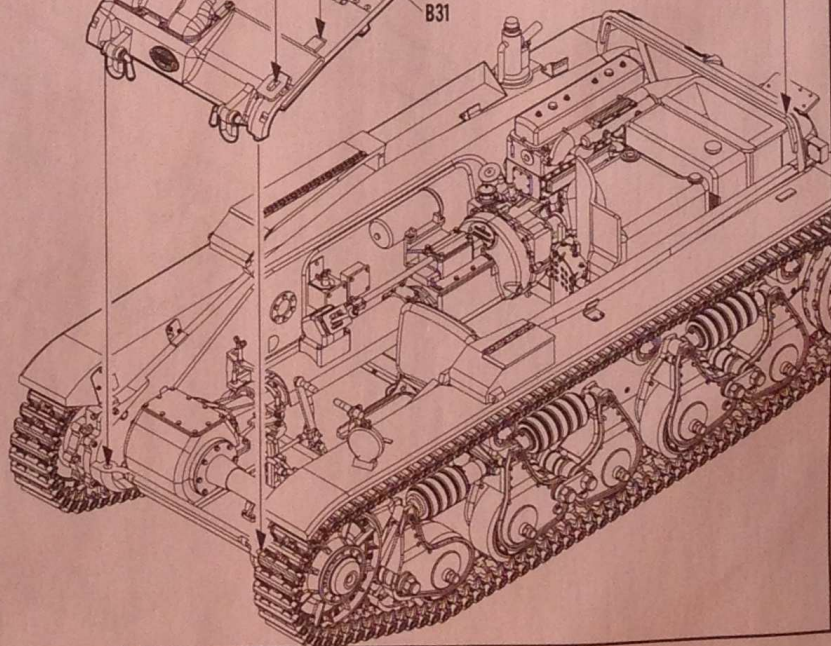
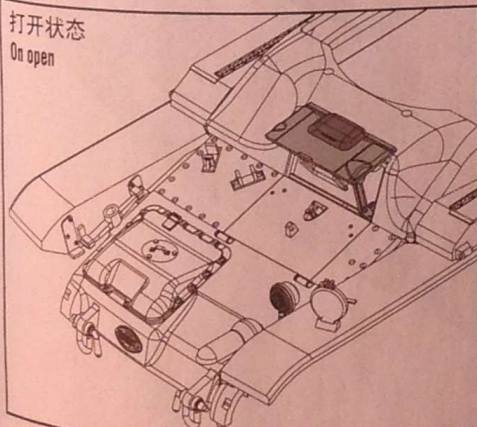


Bend 弯曲 PE-6  
Bend 弯曲 PE-5

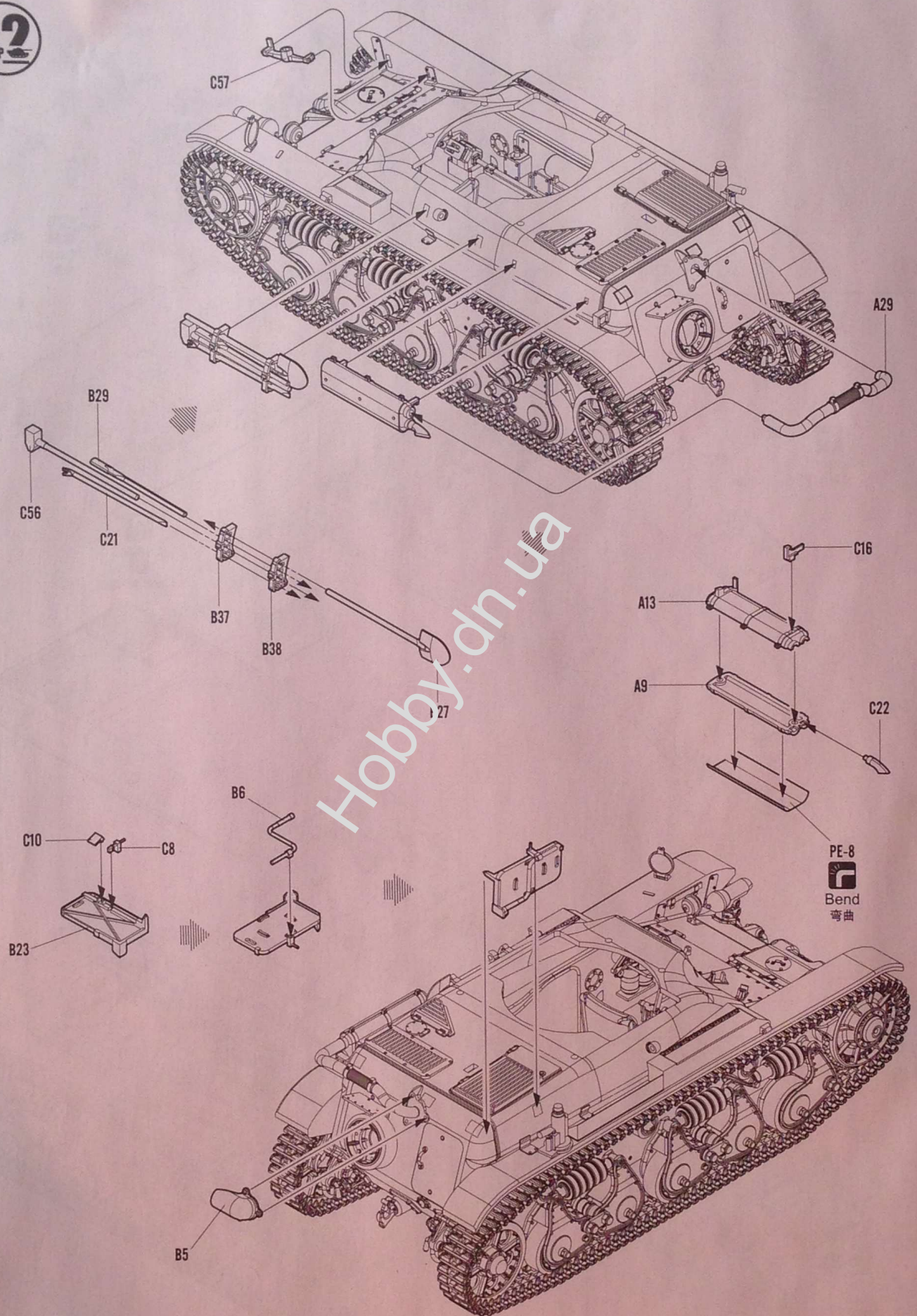


Hobby.dn.ua

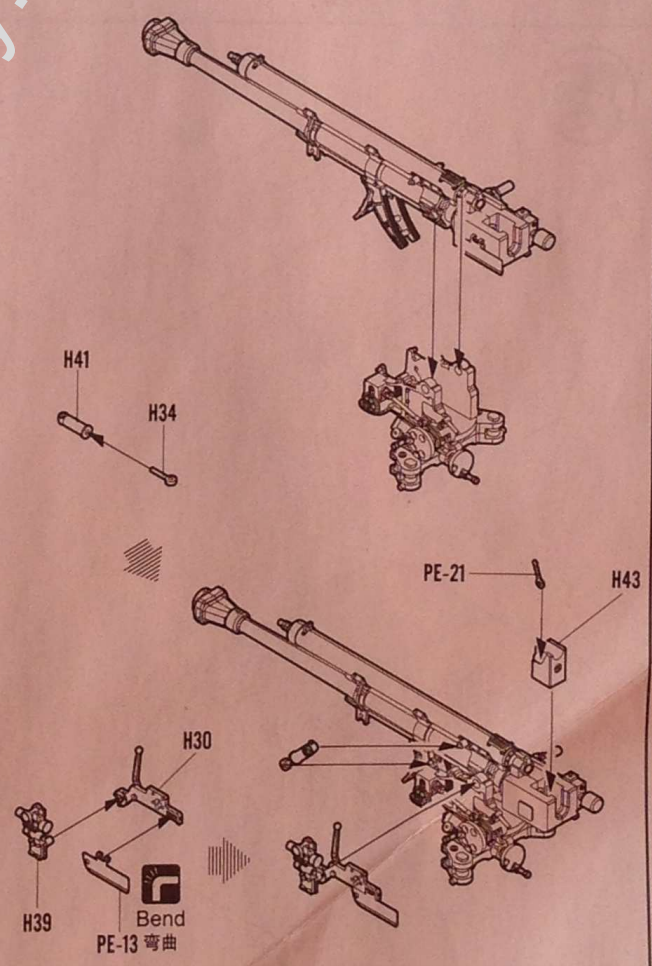
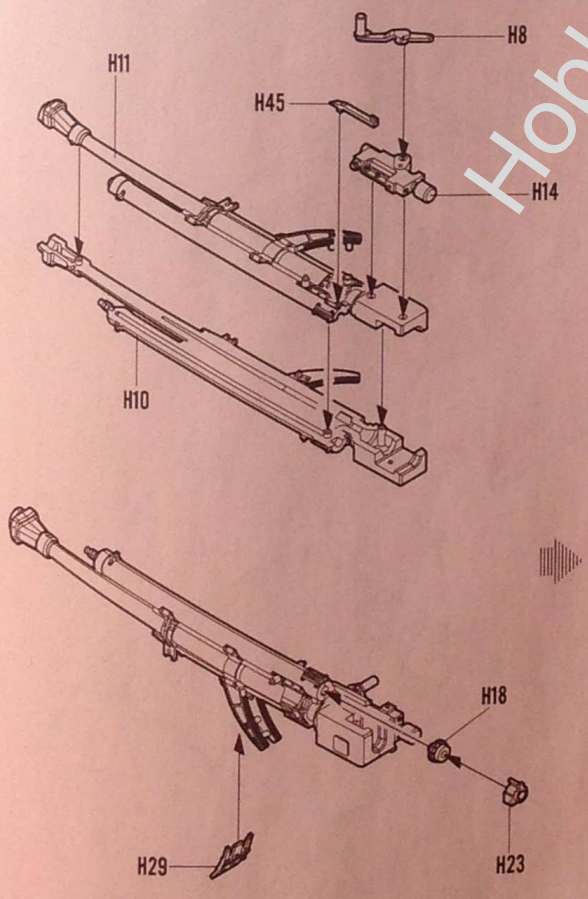
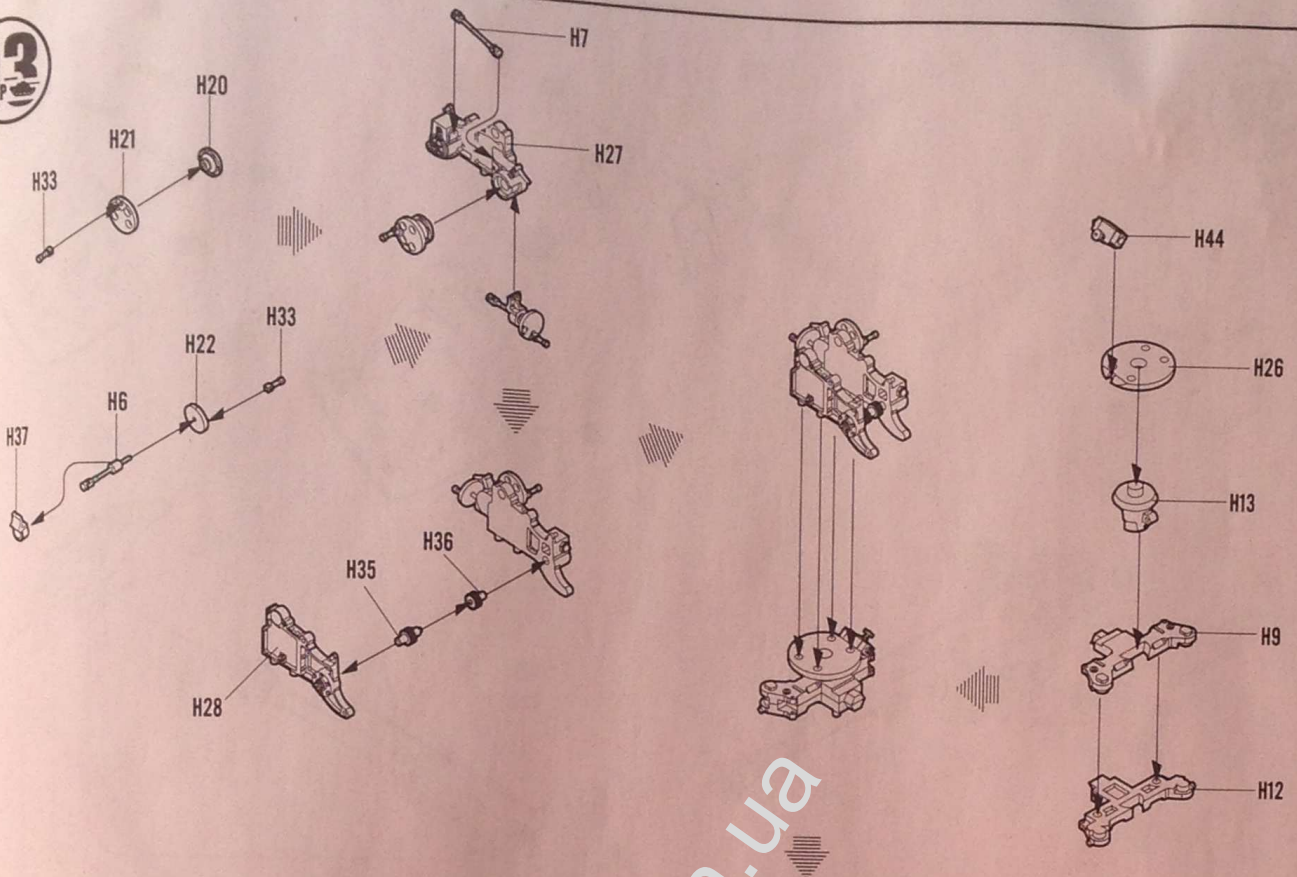
打开状态  
On open



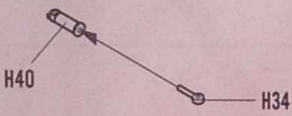
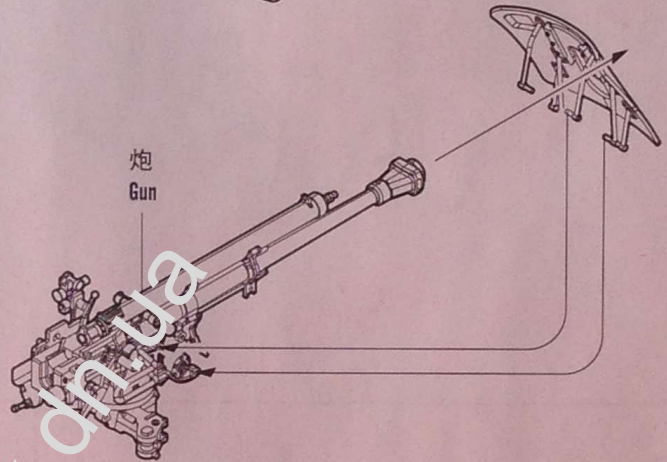
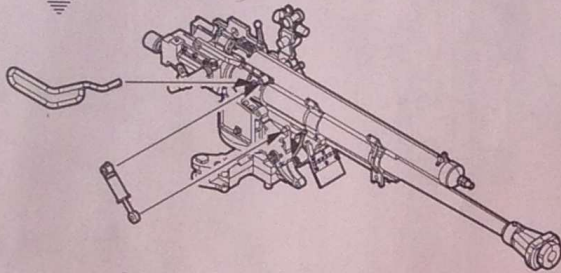
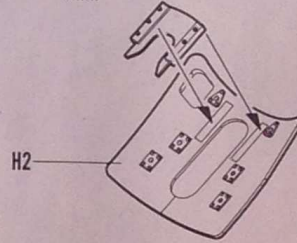
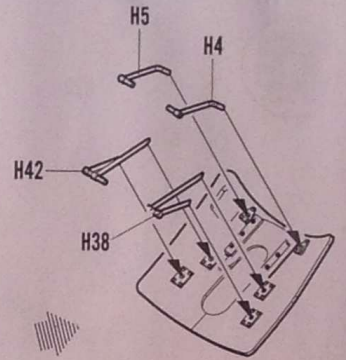
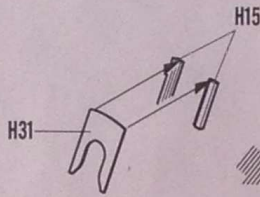
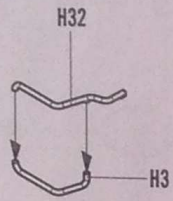
**12**  
STEP



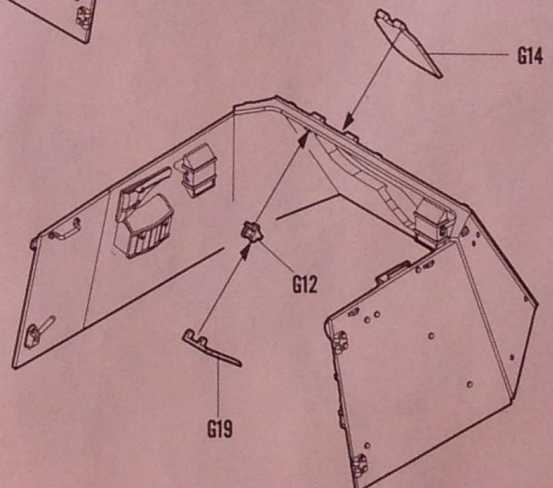
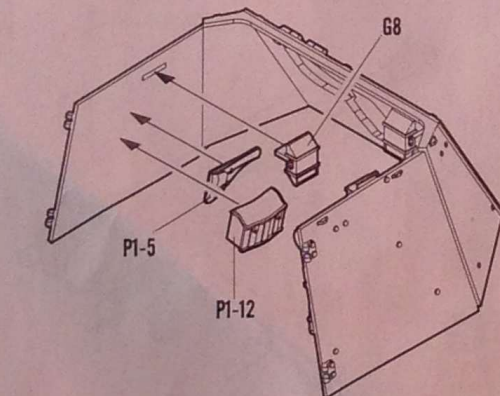
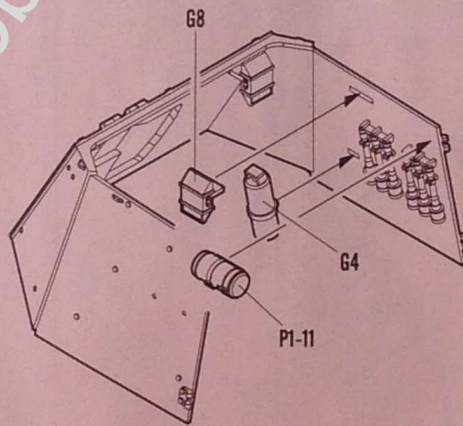
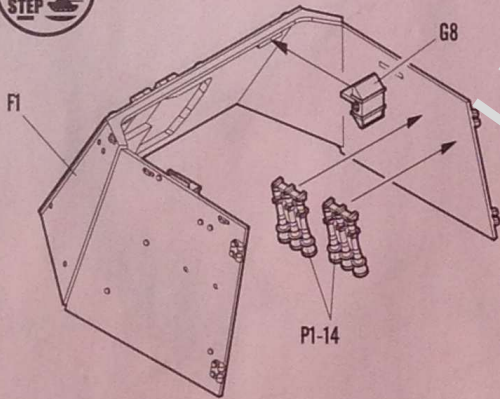
13  
STEP



**14**  
STEP



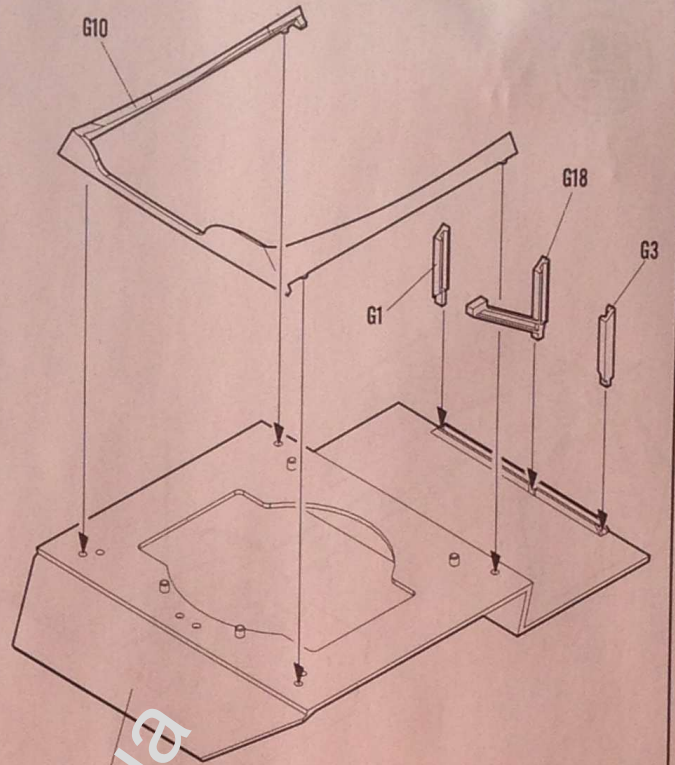
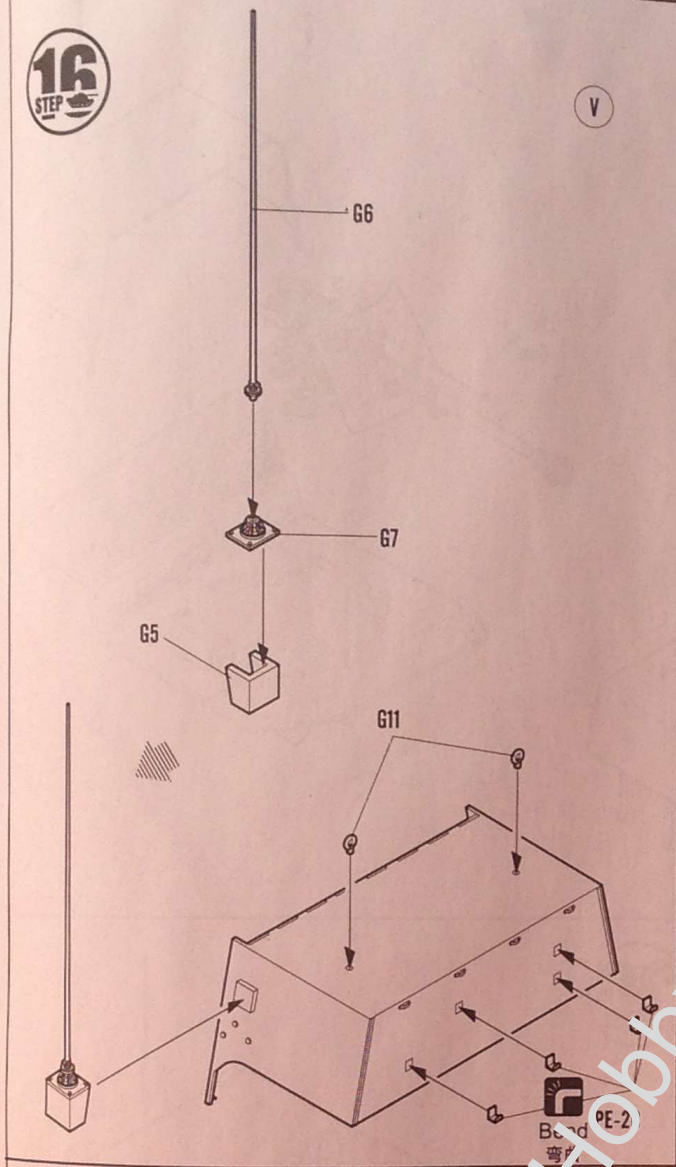
**15**  
STEP



U

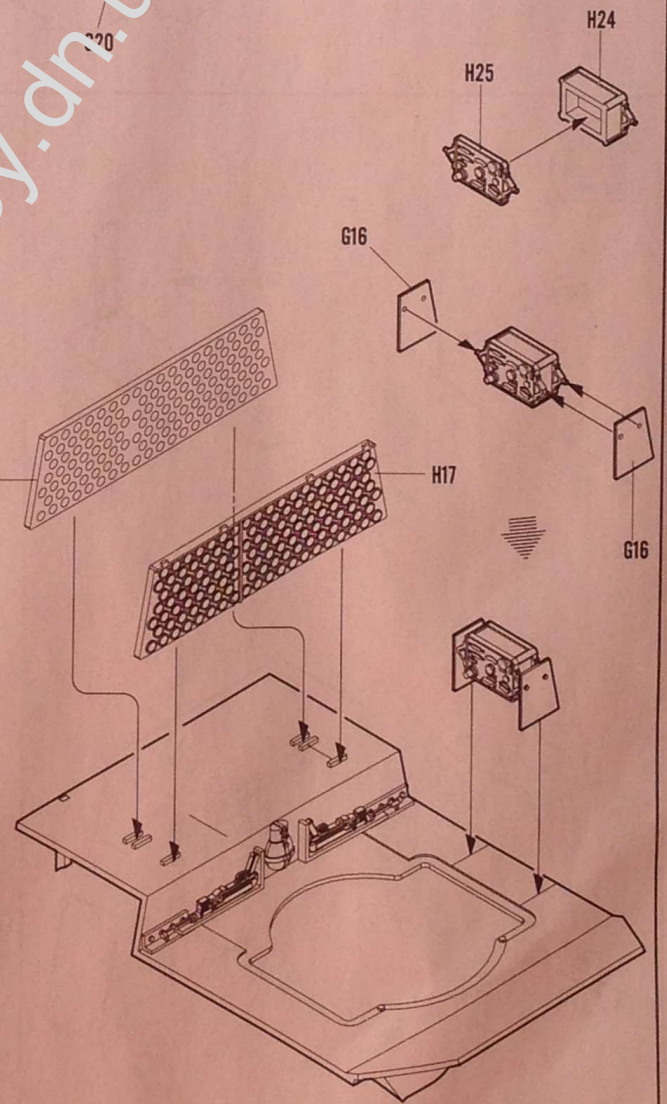
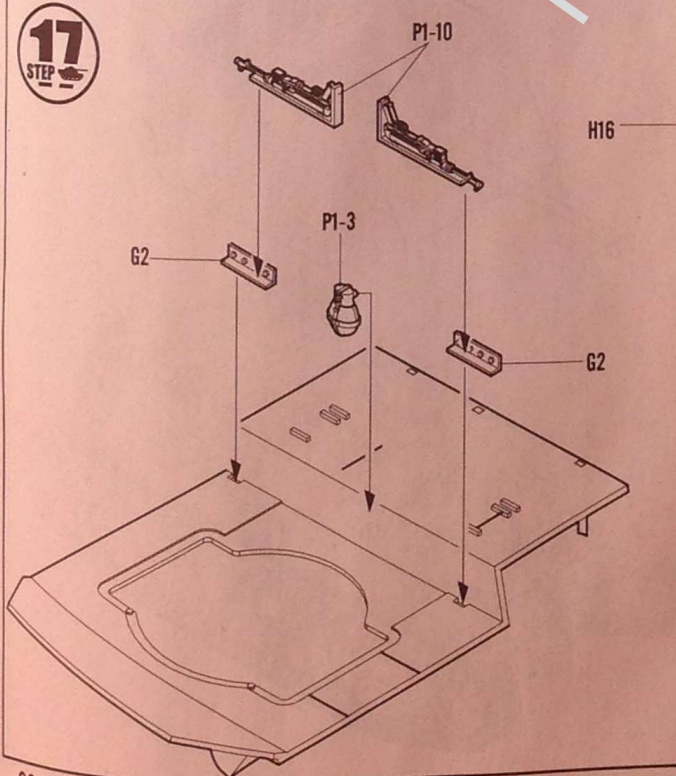
16  
STEP

V

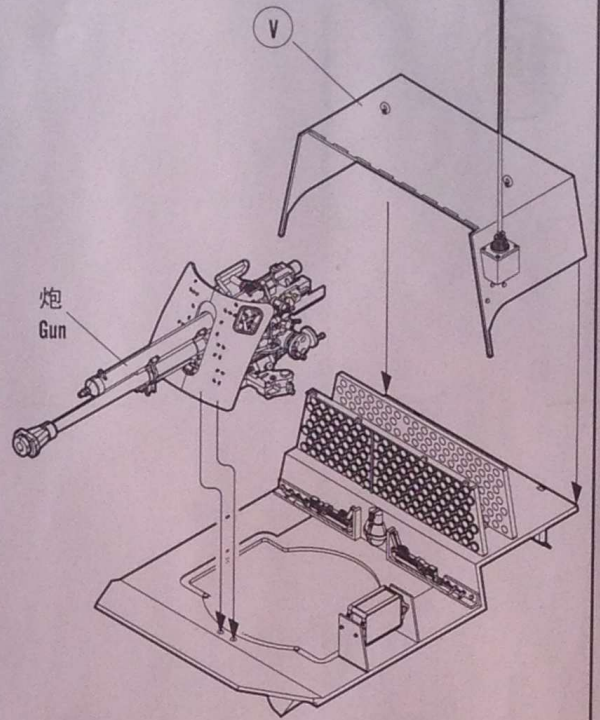
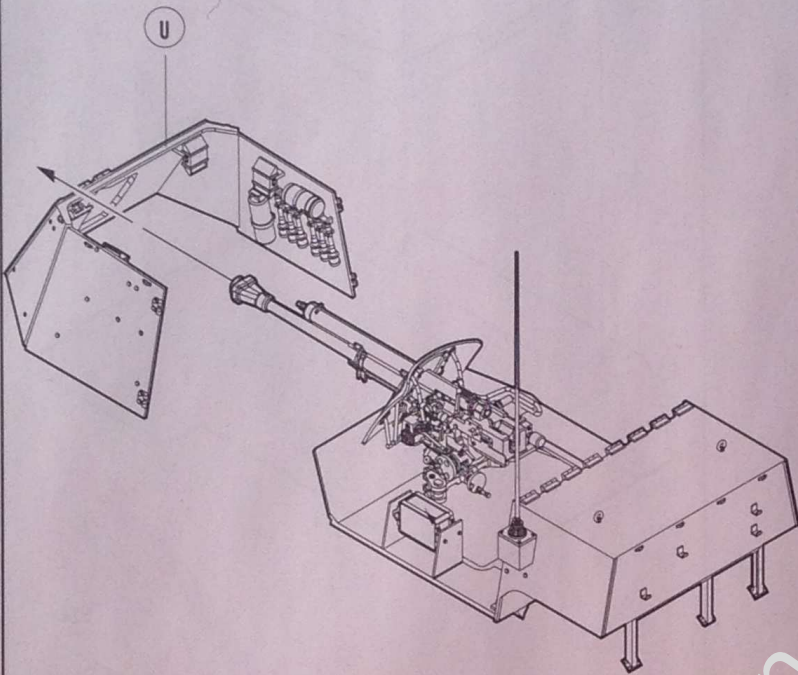


Hobby-dn.ua

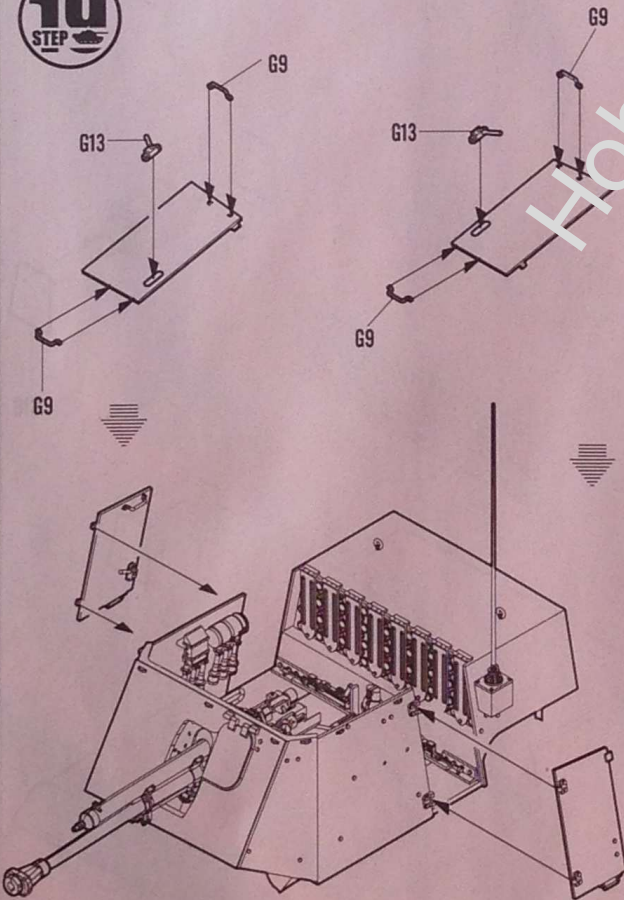
17  
STEP



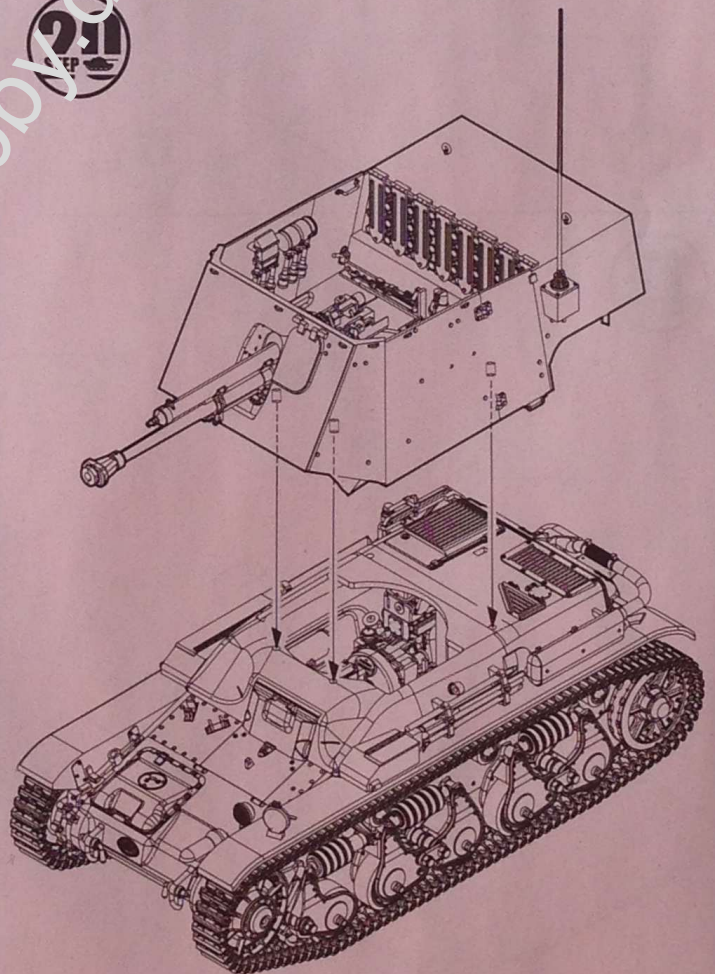
18  
STEP



19  
STEP

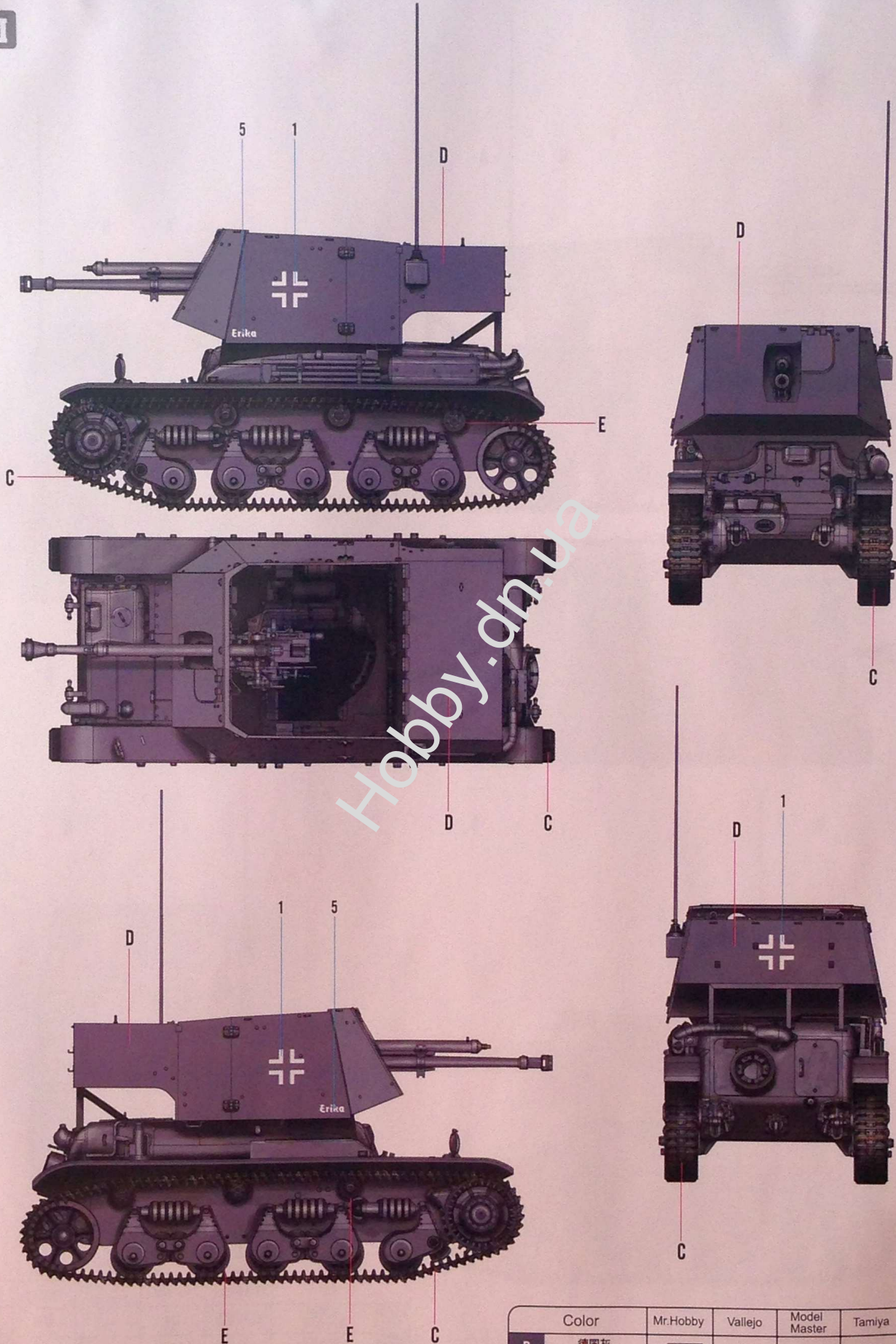


20  
STEP



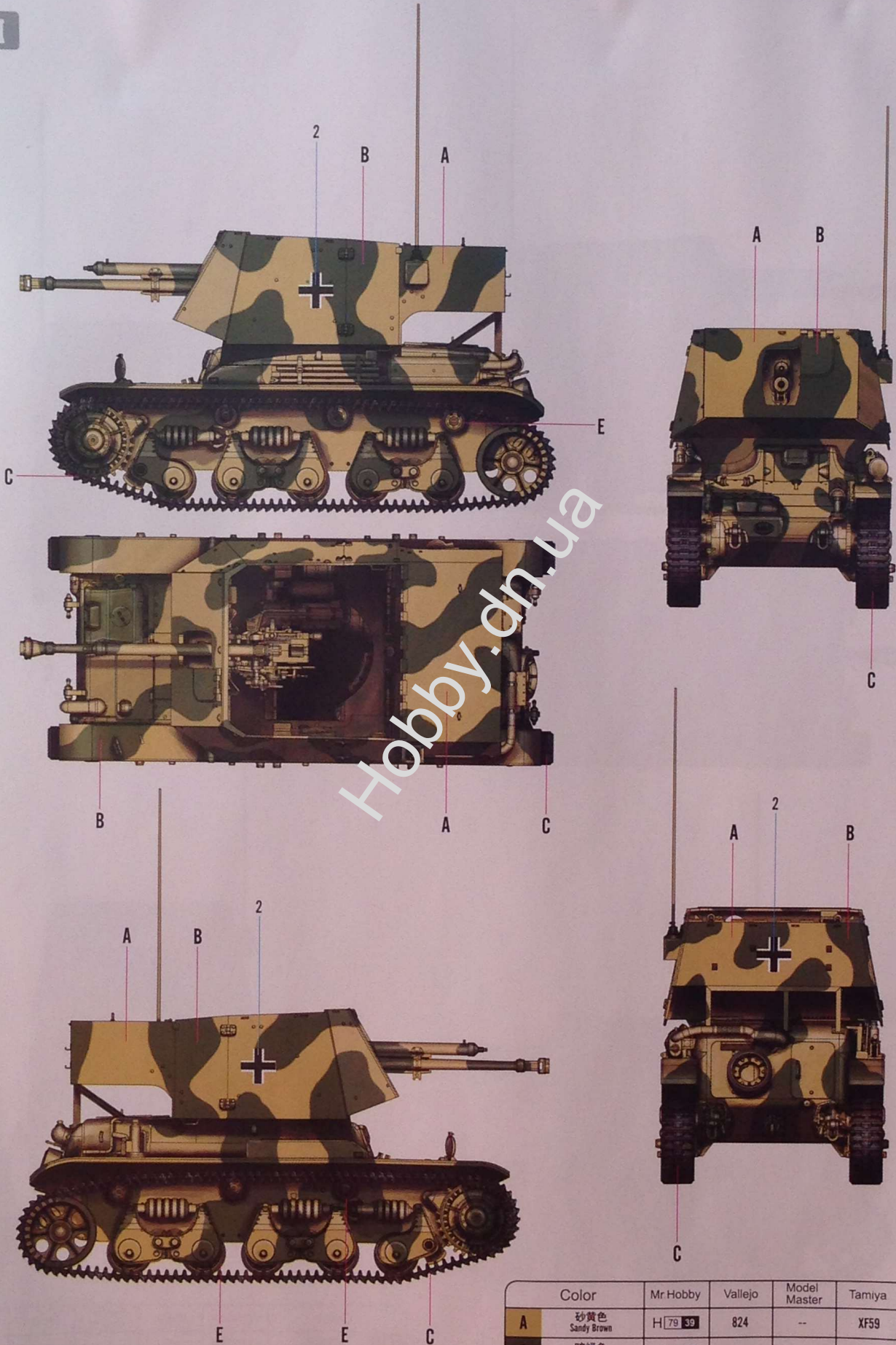


II



	Color	Mr.Hobby	Vallejo	Model Master	Tamiya	Humbrol
D	德国灰 German Gray	H 32 40	830	--	XF22	111
E	胎黑色 Tyre Black	H 77 137	--	--	--	--

I



	Color	Mr Hobby	Vallejo	Model Master	Tamiya	Humbrol
A	砂黄色 Sandy Brown	H[79] 39	824	--	XF59	93
B	暗绿色 Dark Green	H[ ] 70	--	--	--	--
C	黑铁色 Steel	H[18] 28	864	1402	--	--