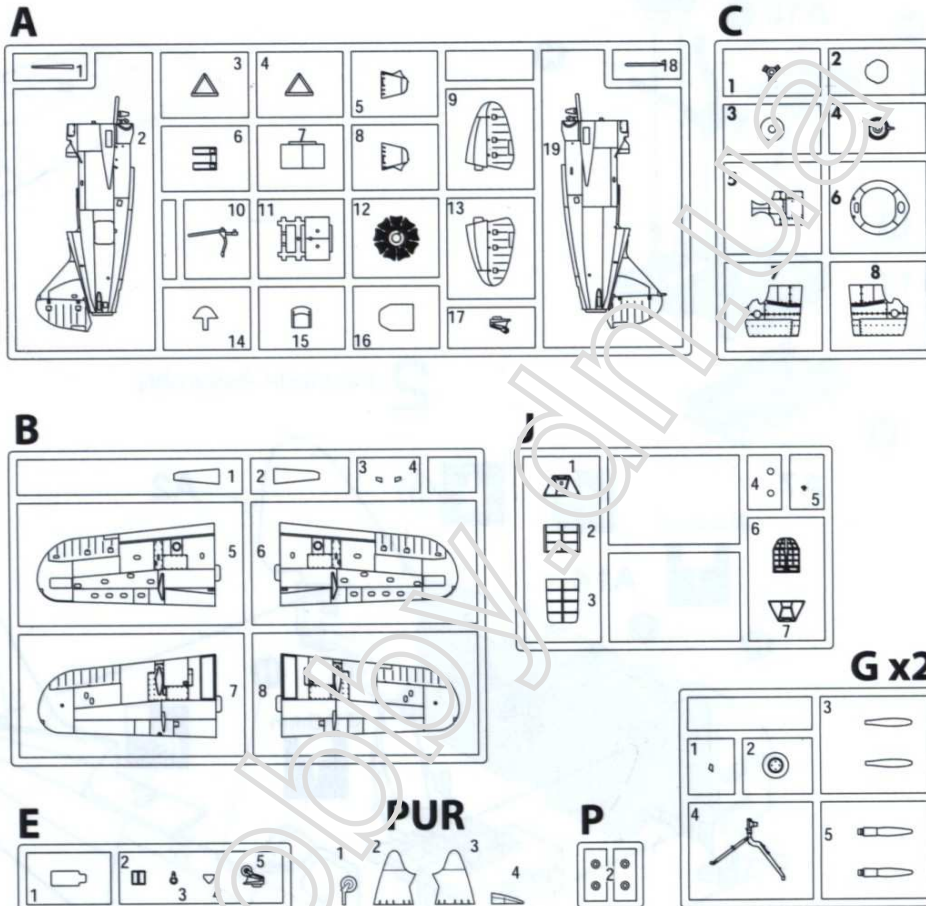




Brewster Model 339B/C Buffalo

72012



Color Chart	Mr. COLOR	TAMIYA	Model Master	AMMO	AK REAL COLORS	HATAKA
Dark Green	A 361/330	XF-81	4849	915	286	016
Dark Earth	B 369	XF-52	4846	070	287	009
Sky	C 368	XF-21	4840	243	290	026/234
Dark Slate Gray	D		4727	205	294	202
Extra Dark Sea Grey	E 333	XF-54		906	295	140
42 Medium Green	F 302	XF-26	4729	238	260	019
41 Olive Drab	G 304	XF-62	4728	237	259	004
Aluminium	H	XF-16	4677	194	020	139
Flat Black	I 33	XF-1	4768	046	001	100
Flat Yellow	J 004	X-8	4683	048	007	107
Clear Blue	K 50	X-23	4658	098	504	
Clear Red	L 47	X-27	4630	093	503	
Rust	M 29	XF-79	4675	040		132
Silver	N 8	X-11	4678	195		003

ASSEMBLY INSTRUCTION
Istruzioni di Assemblaggio

Bauanleitung
Instrukcja Montażu

Instructions de Montage
Montážní Instrukce

Instrucciones de Montaje

REMOVE
ENTFERNEN
WYCIĄC
ODSTRANIĆ

RETIRER
CORTAR
SEPARARE

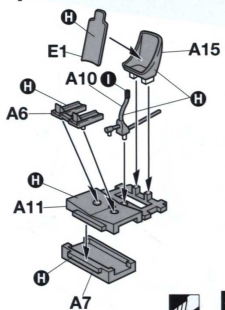
APPLY DECAL
HEIAR ABZIEHBILD
KALKOMANIA
POUŽÍTE OBTISK

APPLICARE DECALCOMANIE
PONER CALCOMANIA
APPLIQUER DECALCOMANIE

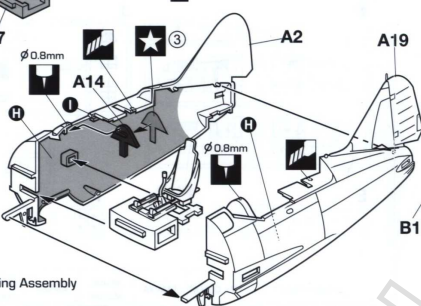
OPEN HOLE
OFFNEN
WYKONAĆ OTWÓR
VYVRTAT OTVOR

FORO APERTO
HACER AQUEJERO
FAIRE UN TROU

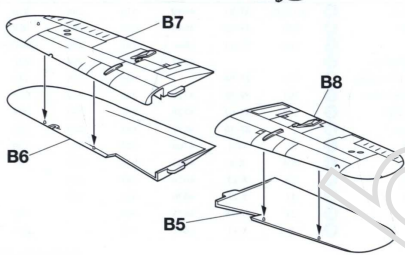
1 Cockpit Assembly



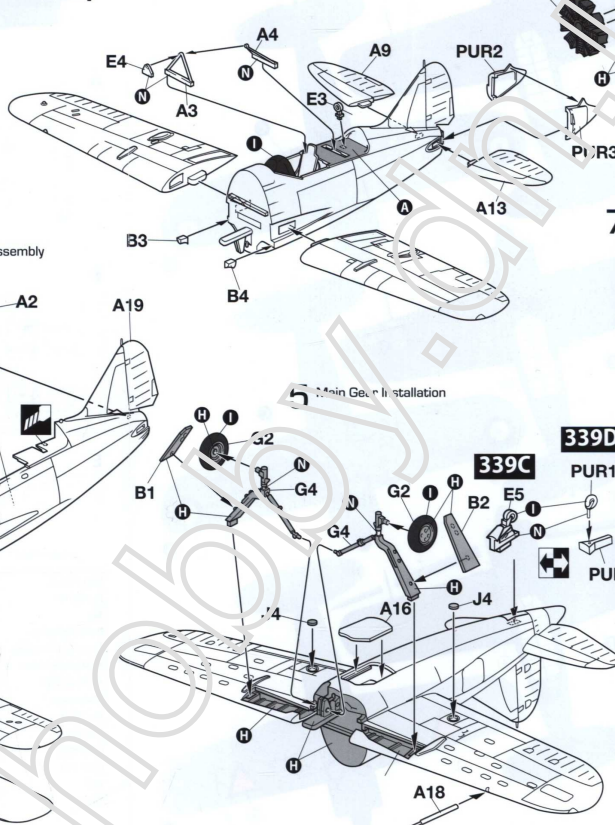
2 Fuselage Assembly



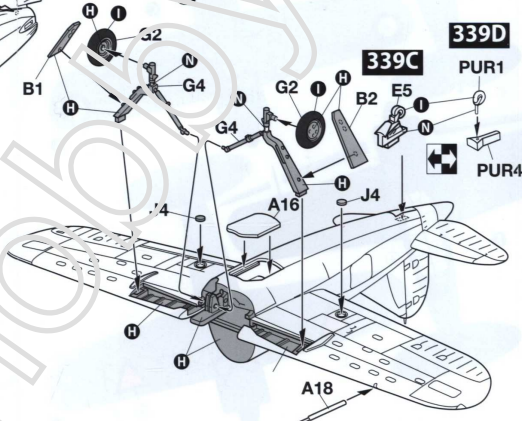
3 Main Wing Assembly



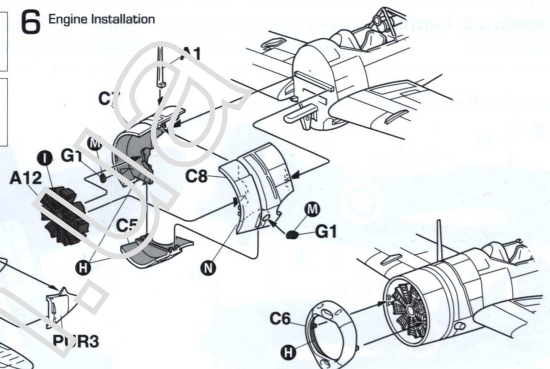
4 Main Wing & Horizontal Stabilizer Installation



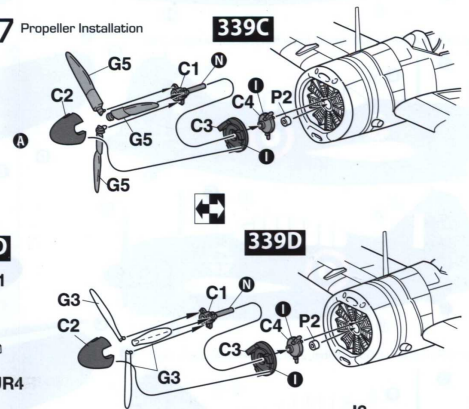
5 Main Gear Installation



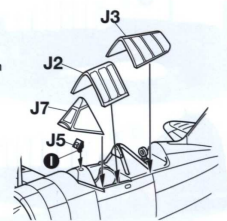
6 Engine Installation



7 Propeller Installation



8 Canopy Installation



MARKINGS AND PAINTING

Marcio & Pittura

Markierungen und Bemalung

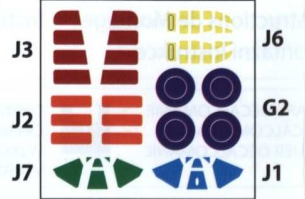
Oznakowania i Malowanie

Decoracion et Peinture

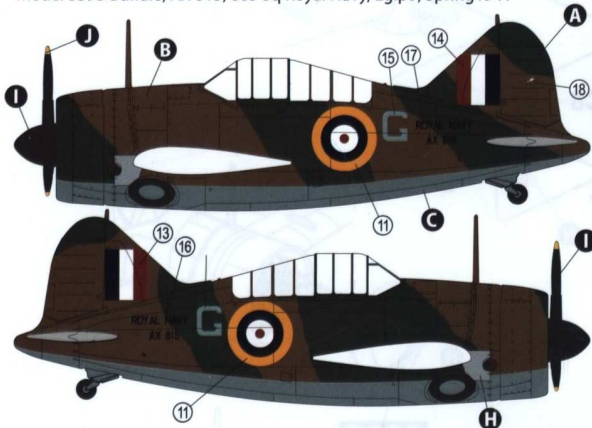
Označeni & Zbarveni

Decoracion y Pintura

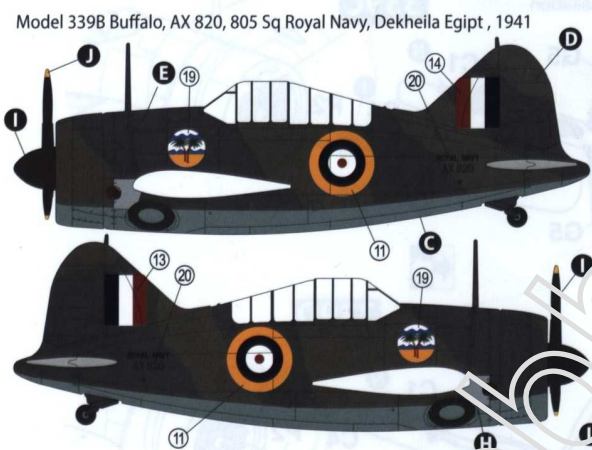
Painting Mask Set



Model 339B Buffalo, AX 815, 805 Sq Royal Navy, Egipt , Spring 1941



Model 339B Buffalo, AX 820, 805 Sq Royal Navy, Dekheila Egipt , 1941



Model 339C Buffalo, Lt. Guus Deibel, 2.-VI. G.V., Semplak, Jawa, 1941

