

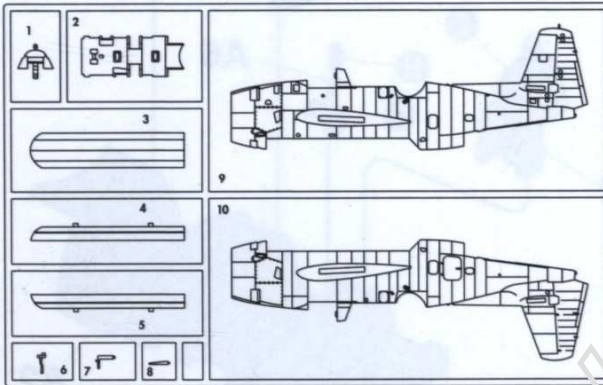


TBM-3E / A.S. 4 AVENGER

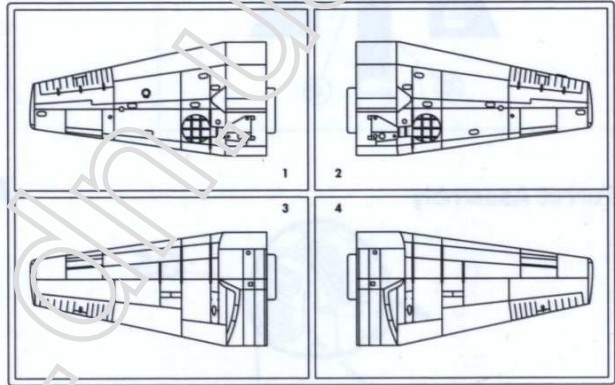
72036



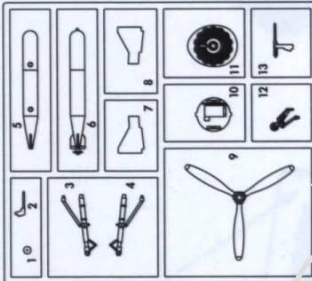
A



B



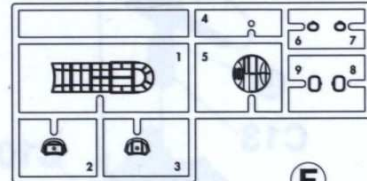
C



D x2



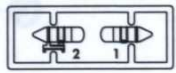
G



F



F



MB



Color Chart	MR. COLOR	TAMIYA	Alclad 2	AMMO	AK Interactive	HATAKA
Insignia White	A 062	XF-2	E101	047	RC222	043
Glossy Sea Blue	B 365		E644	227	RC258	001
Non-Specular Interior Green	C 351		E309	220	RC028	211
Engine Gray	D 338		E621	239	RC243	033
Gloss White	E 069	X-2		047	RC222	049
Dark Gull Grey	F 317		E635	205	RC247	044
Gun Metal	G 214	X-10	120	045	RC015	106
Flat Black	H 33	XF-1	E102	046	RC071	100
Brass	I 219		109	197	475	109
Flat Yellow	J 329	XF-3	E658	048	RC007	066
Burnt Metal	K 061	XF-84	104	187	RC015	132
Silver	M 8	X-11	112	195	AK11209	003
Clear Blue	N 50	X-23	403	098	RC504	CC01
Clear Red	O 47	X-27	401	093	RC503	CC02
Olive Drab	P 12	XF-62	E617	927	RC259	018
Flat Blue	Q 110	XF-50	E626	086	RC 291	255
Flat Red	R 068	XF-7	E653	049	RC 006	103



APPLY DECAL
HIEAR ABZIEHBILD
KALKOMANIA
POUŽIJTE OBTISK

APPLICARE DECALCOMANIE
PONER CALCOMANIA
APPLIQUER DECALCOMANIE



OPEN HOLE
OFFNEN
WYKONAĆ OTWÓR
VYVRTAT OTVOR

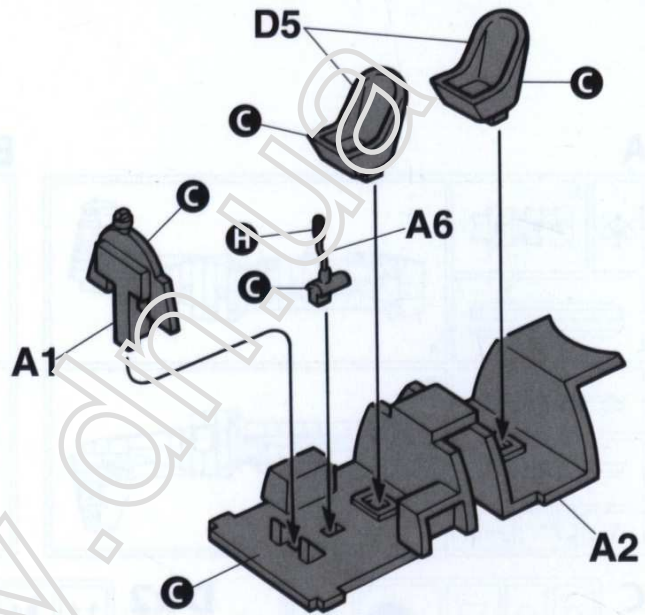
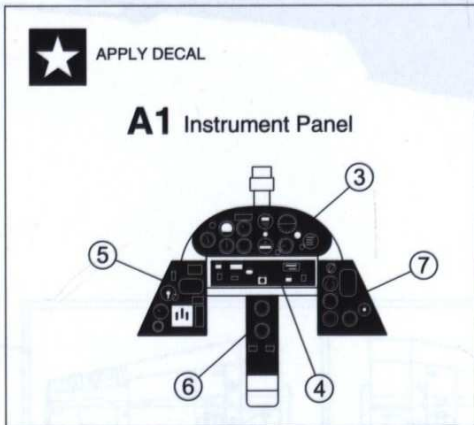
FORO APERTO
HACER AQUJERO
FAIRE UN TROU

1 Cockpit Assembly

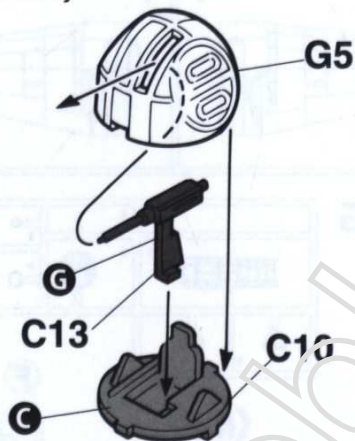


FILL HOLE
SCHLIESSEN
ZAMKNAĆ OTWÓR
ZAKRYJTE OTVOR

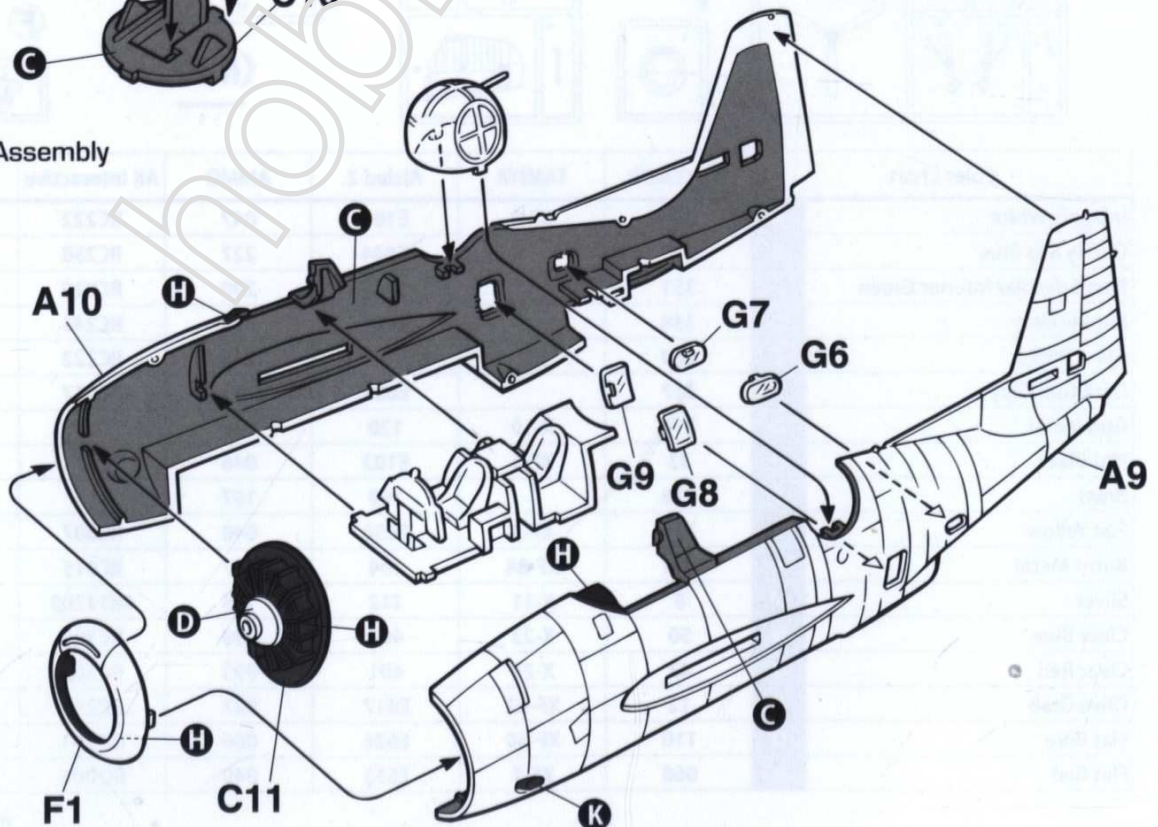
FORO PIENO
EMPUJE EL AQUJERO
BOUCHER LE TROU



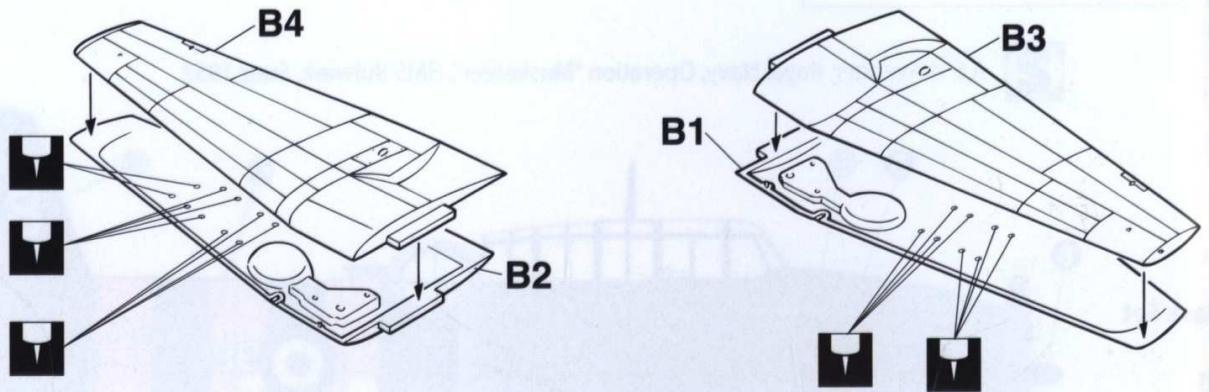
2 Turret Assembly



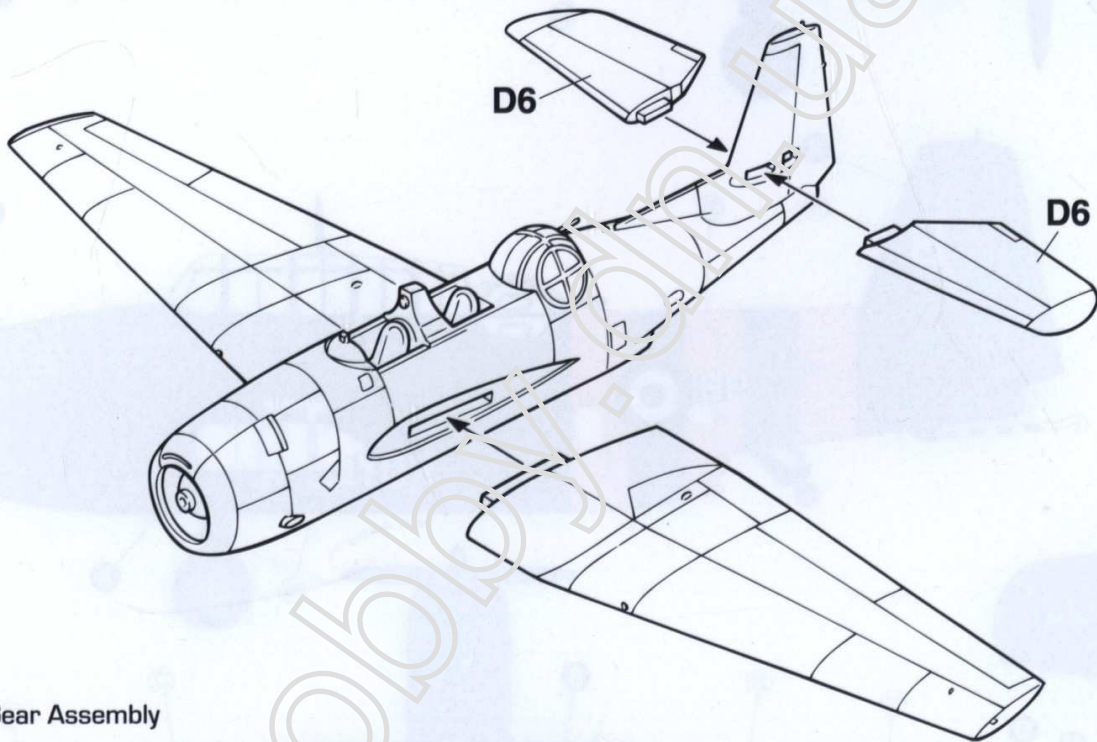
3 Fuselage Assembly



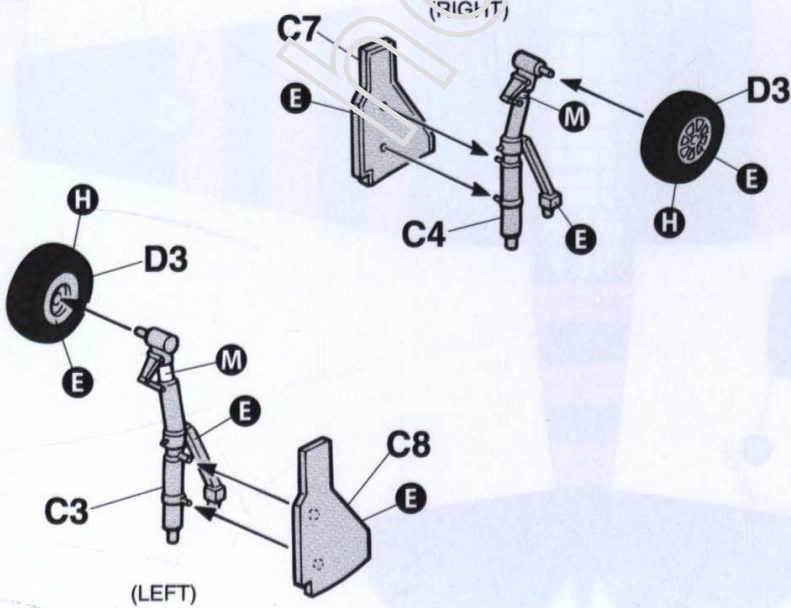
4 Main Wing Assembly



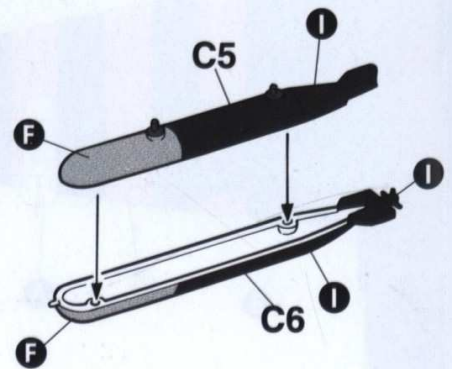
5 Main Wing & Horizontal Stabilizer Installation



6 Main Gear Assembly

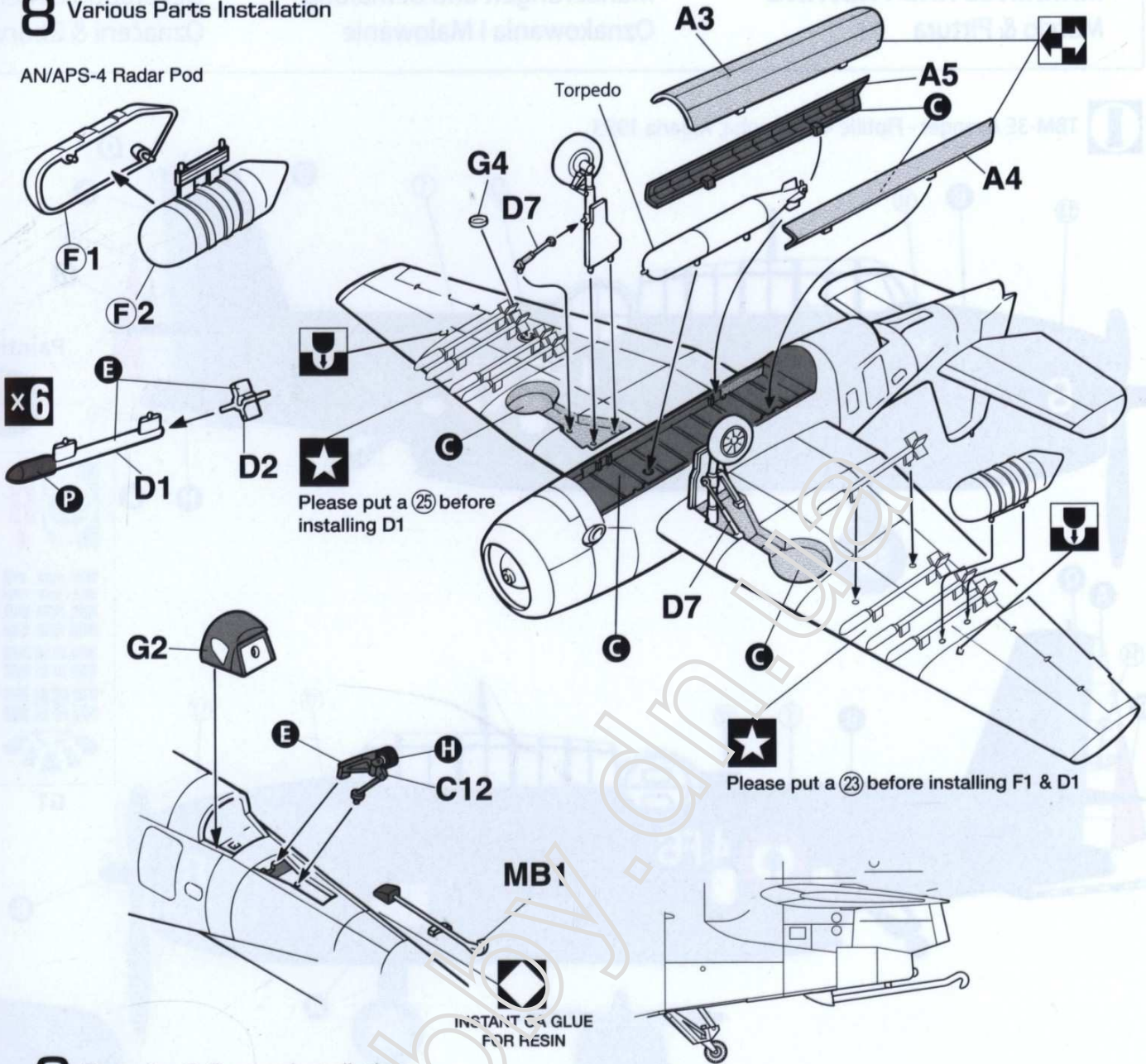


7 Torpedo Assembly

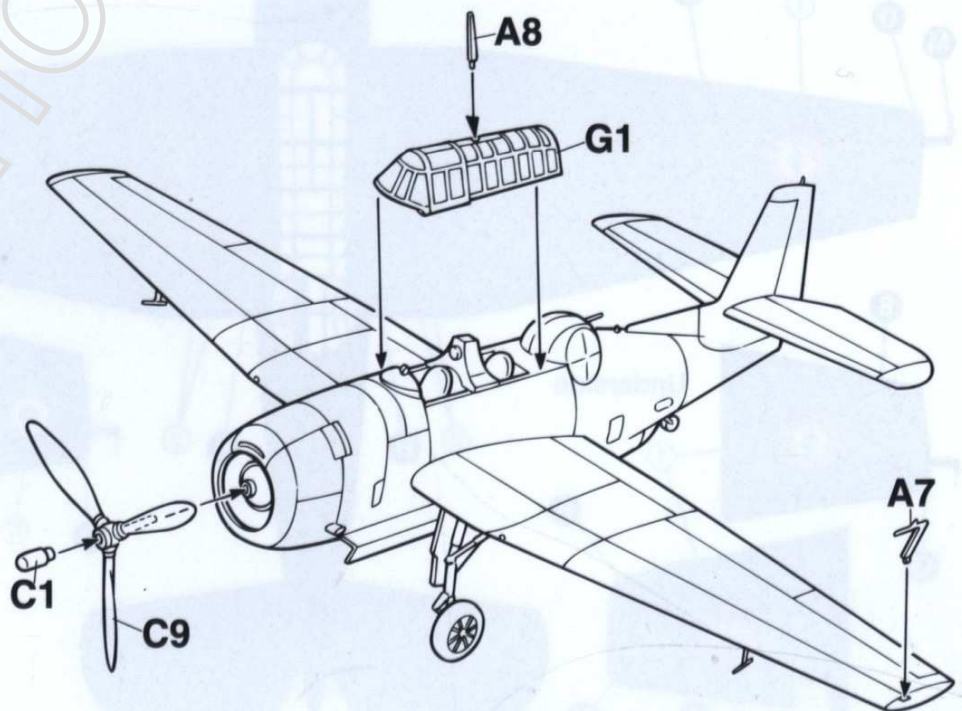
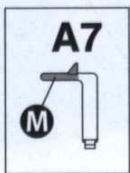
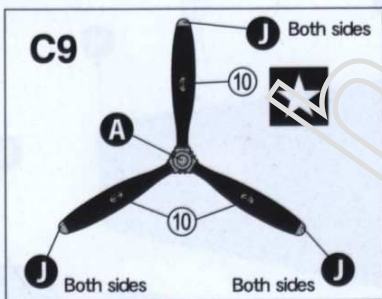


8 Various Parts Installation

AN/APS-4 Radar Pod



9 Propeller & Canopy Installation



MARKINGS AND PAINTING
Marcio & Pittura

Markierungen und Bemalung
Oznakowania i Malowanie

Decoration et Peinture
Označení & Zbarvení

Decoración y Pintura

1 TBM-3E Avenger - Flotille 4F, Karouba, Algeria 1953

2 A.S. 4 Avenger, Royal Navy, Operation "Musketeer", HMS Bulwark, Suez 1957

