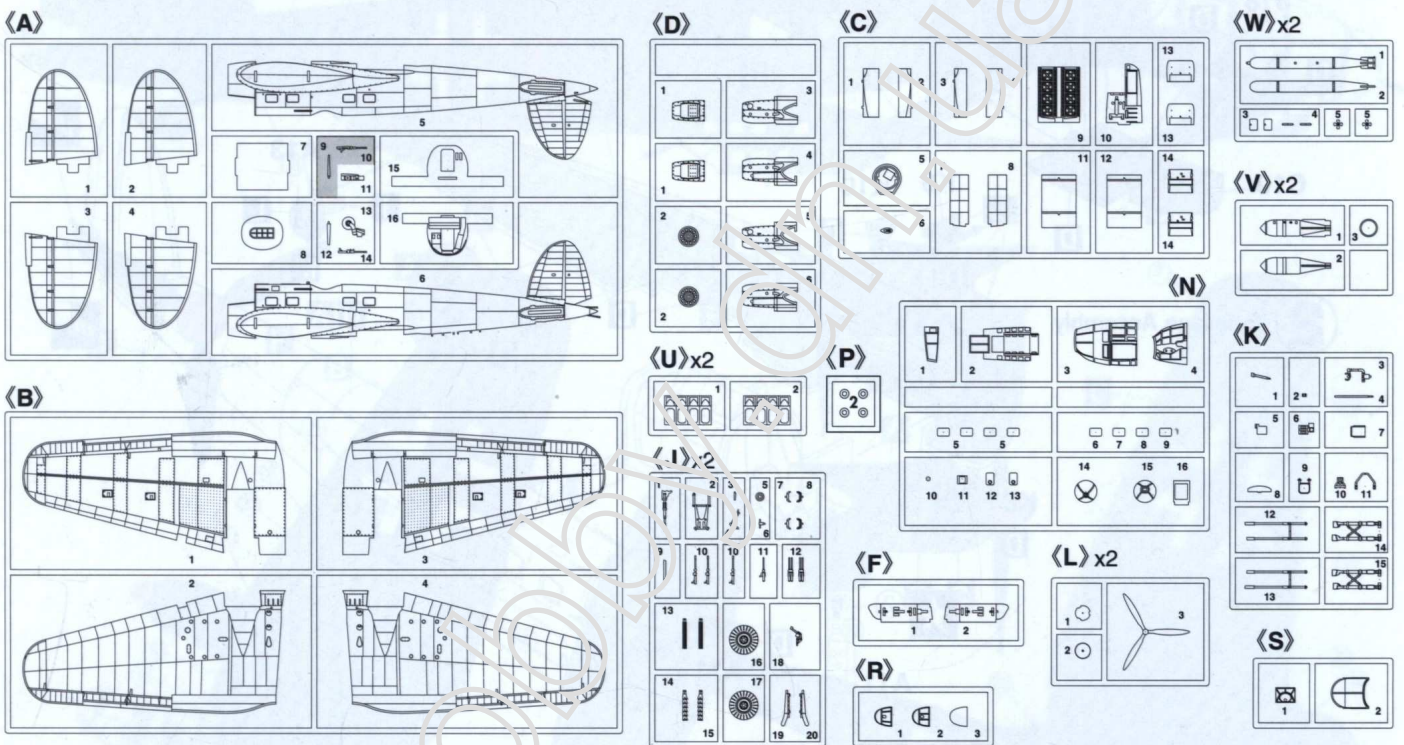




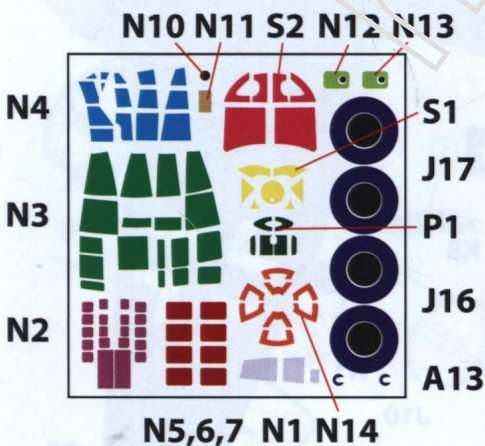
Heinkel He 111 H-2/H-3

Western Front 1940

72048

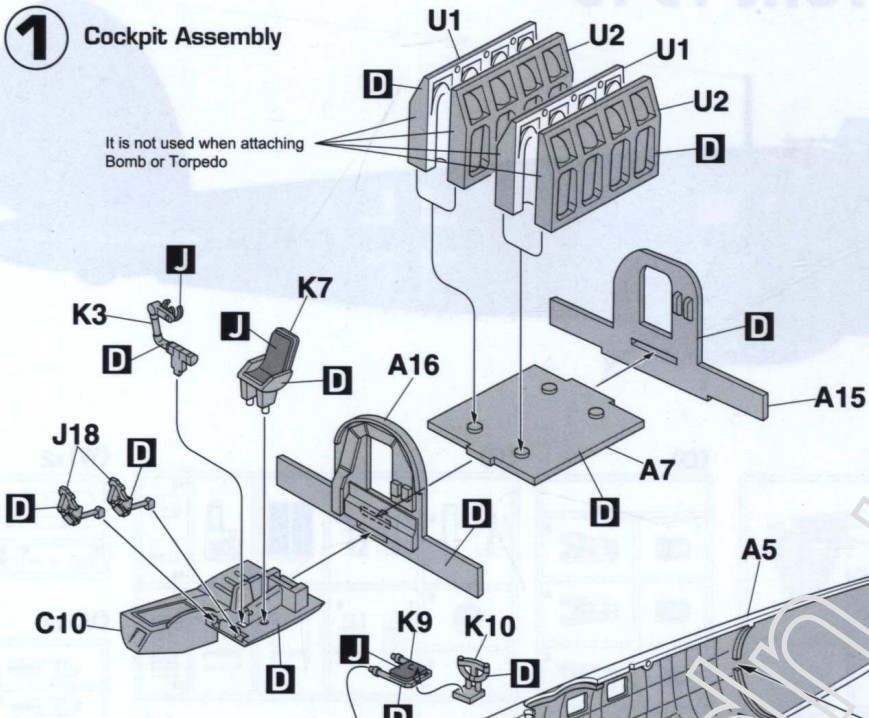


Painting Mask Set



Color Chart	AK Interactive	Alclad2	AMMO	HATAKA	Mr. COLOR	Revell	TAMIYA		
RLM70 Black Green	A	RC274	E216	232	015	018	140	XF-27	
RLM71 Dark Green	B	RC275	E647	233	017	017	139	XF-26	
RLM65 Light Blue	C	RC272	E214	231	029	115	149	XF-23	
RLM66 Black Gray	D	RC339	E215	218	040	116	177	XF-84	
RLM61 Dark Brown	E	RC268		110	168		185	XF-10	
RLM62 Dark Green	F	RC269		065	169	303	139	XF-61	
RLM63 Grey	G	RC270		266	167		175	XF-20	
RLM04 Yellow	H	RC267	E649	125	066	113	115	XF-3	
RLM02 Gray	I	RC266	E202	217	023	060	145	XF-22	
Flat Black	J	RC001	E102	046	100	033	108	XF-1	
Steel	K	AK-476		191	189	028	191	X-11	
Tyre Black	L	RC022	E310	033	040	137	106	XF-85	
Gloss Black	M	AK-471		305	032	002	107	X-1	
Silver	N	RC210		125	195	003	190	X-11	
Flat White	O	RC004	E101	050		062	105	XF-2	
Flat Red	P	RC006	E651	049	132	079	330	XF-7	
Clear Red	Q	RC503		401	093		047	731	X-27
Clear Blue	R	RC504		403	098		050	752	X-23
Burnt Metal	S	RC015		121	187		016	061	XF-84

1 Cockpit Assembly



OPEN HOLE
FORO APERTO
OFFNEN
HACER AQUJERO
WYKONAĆ OTWÓR
FAIRE UN TROU
VYVRTAT OTVOR

DECAL
DECALCOMANIE
ABZIEHBILD
CALCOMANIA
KALKOMANIA
DECALCOMANIE
OBTISK

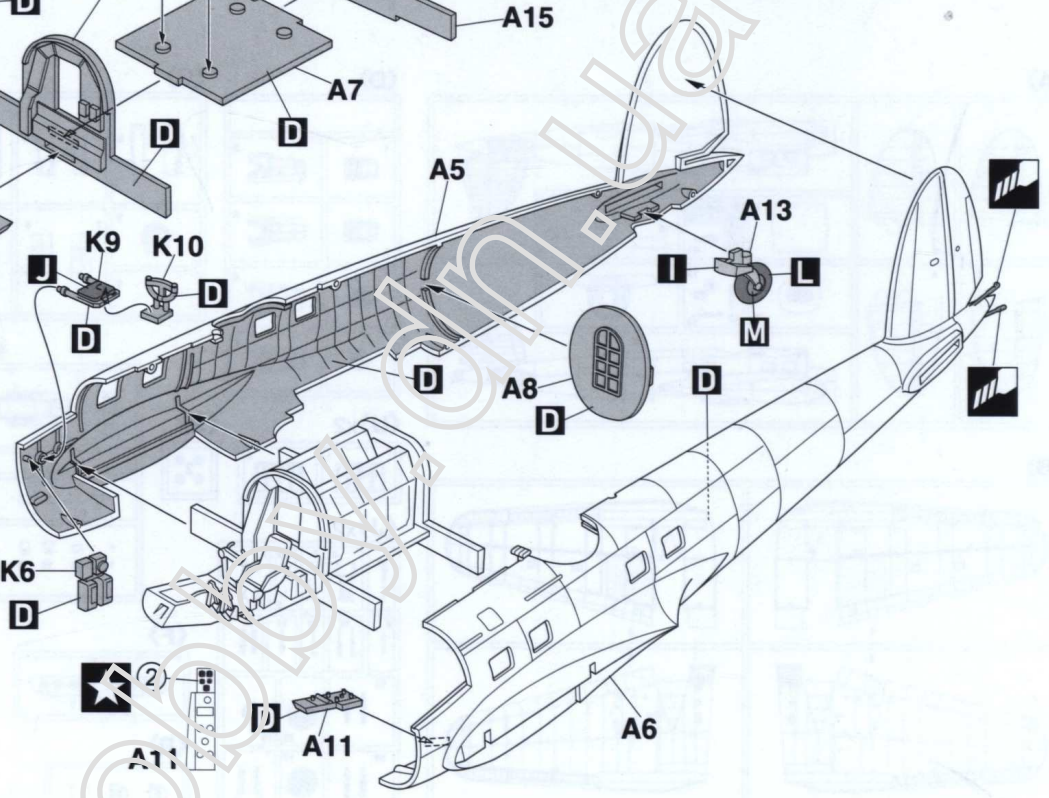
REMOVE
RETRIEREN
ENTFERNEN
CORTAR
WYCIĄĆ
SEPARARE
ODSTRANIT

OPTION
FACULTATIF
NACH BELIEBEN
HACER AQUJERO
DO WYBORU
FACOLTATIVO
VOLBA

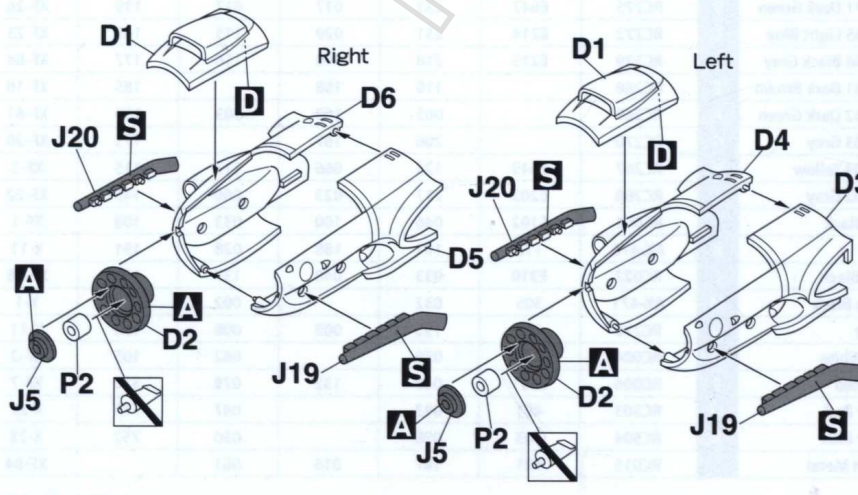
FILL HOLE
FORO PIENO
SCHLIESSEN
EMPUEJE EL AQUJERO
ZAMKNAĆ OTWÓR
BOUCHER LE TROU
ZAKRYTE OTVOR

DO NOT CEMENT
NE PAS COLLER
NICHT KLEBEN
NO PEGAR
NIE SKLEJAC
NON INCOLLARE
NELEPIT

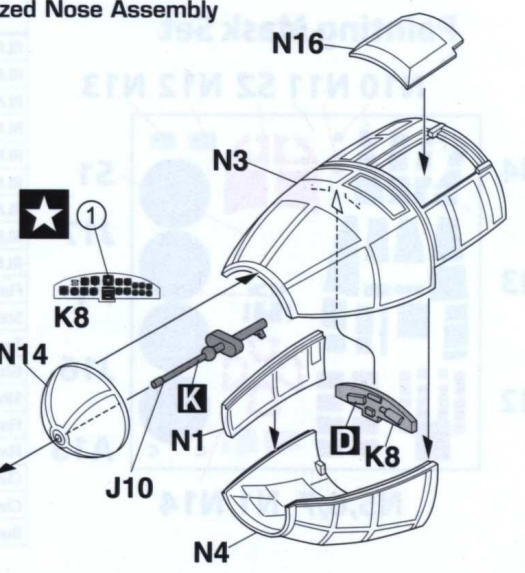
2 Fuselage Assembly



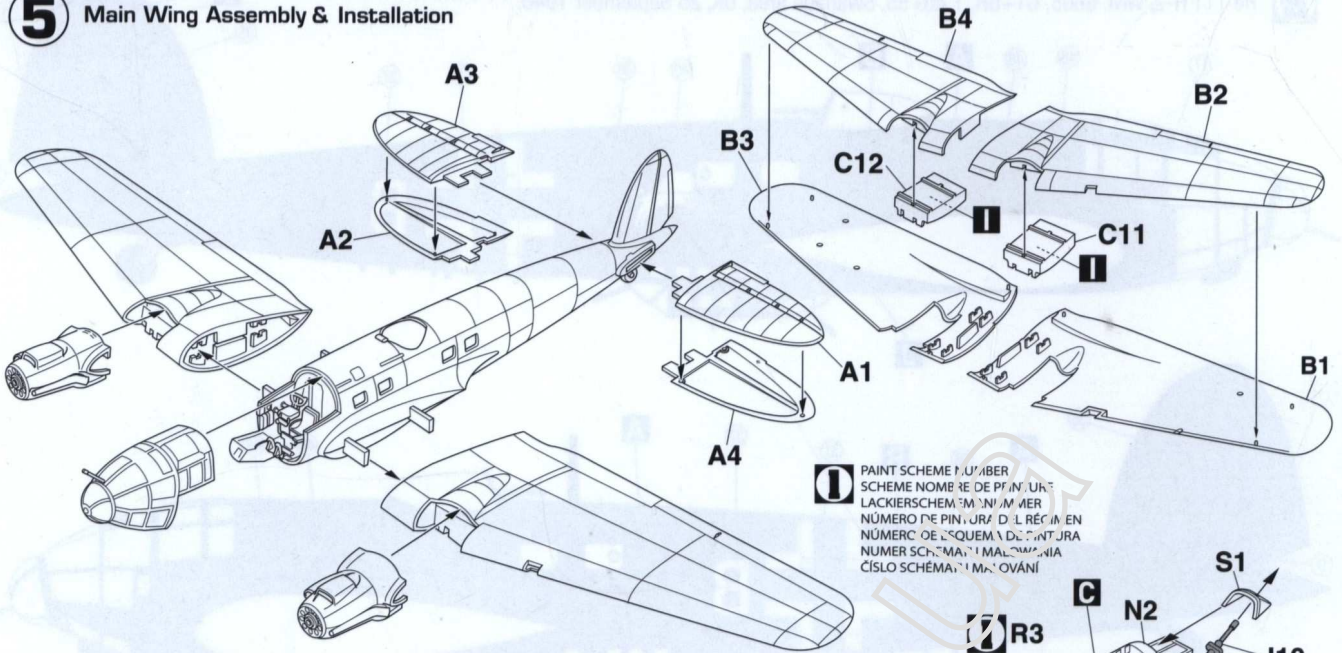
3 Engine Nacelle Assembly



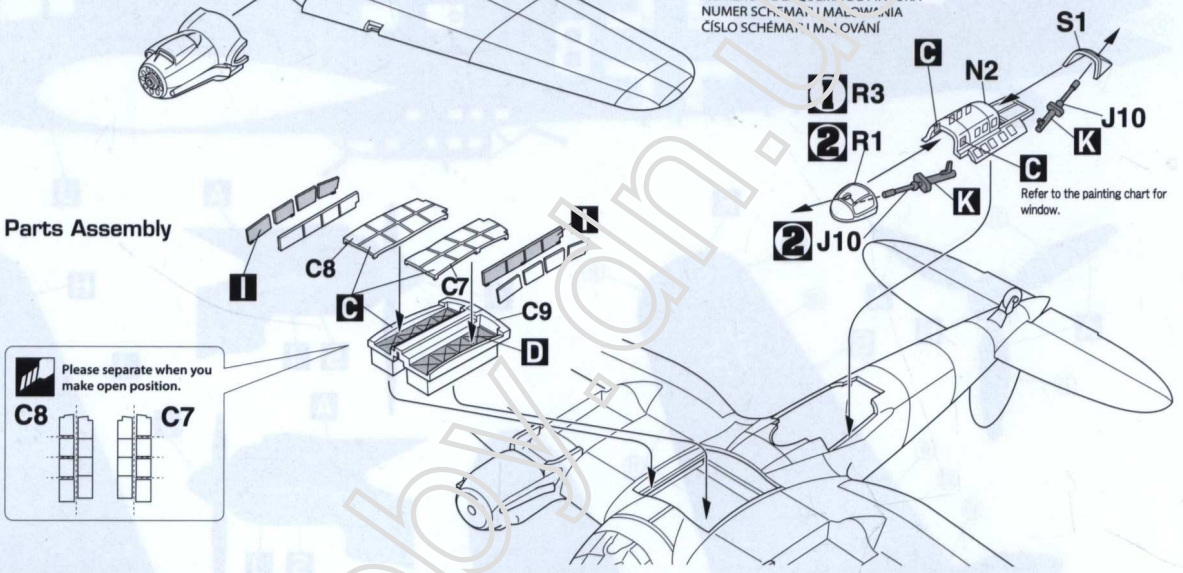
4 Glazed Nose Assembly



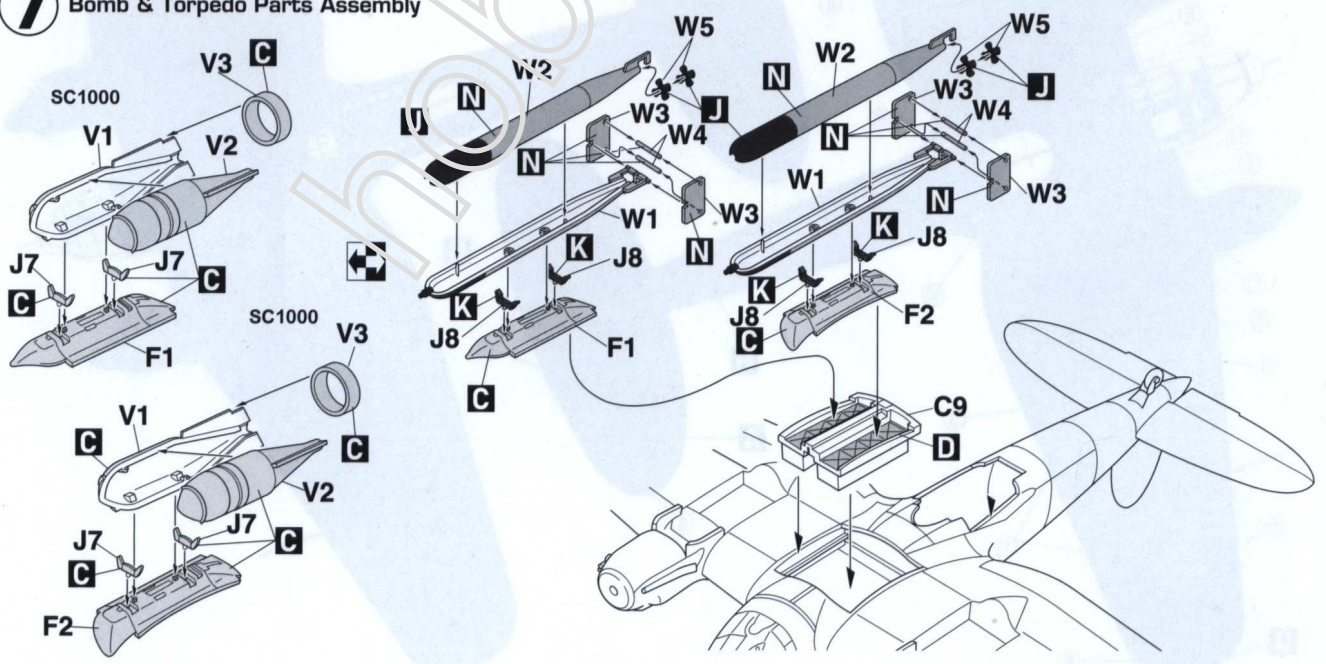
5 Main Wing Assembly & Installation



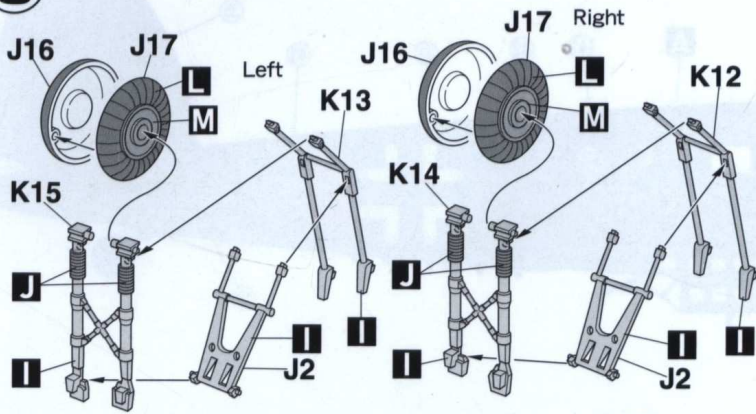
6 Various Parts Assembly



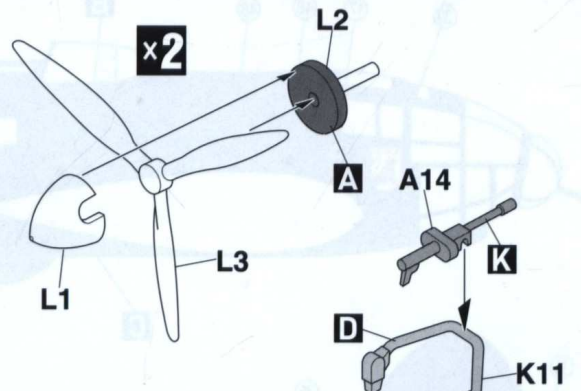
7 Bomb & Torpedo Parts Assembly



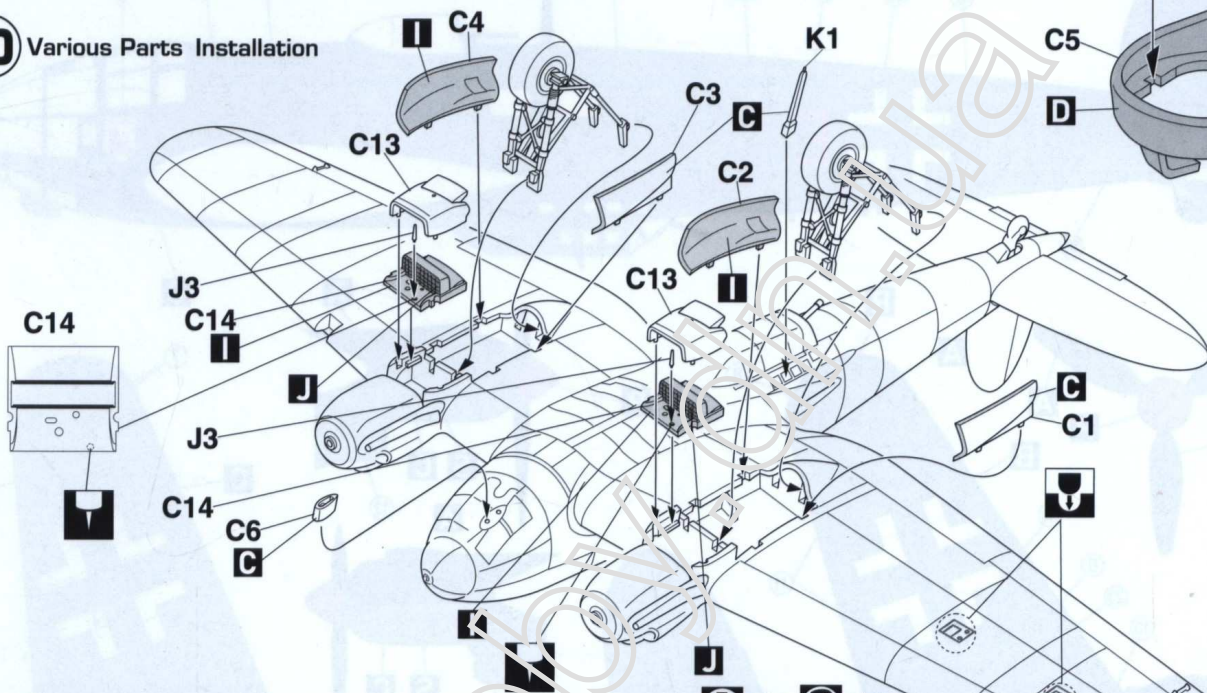
8 Main Gear Assembly



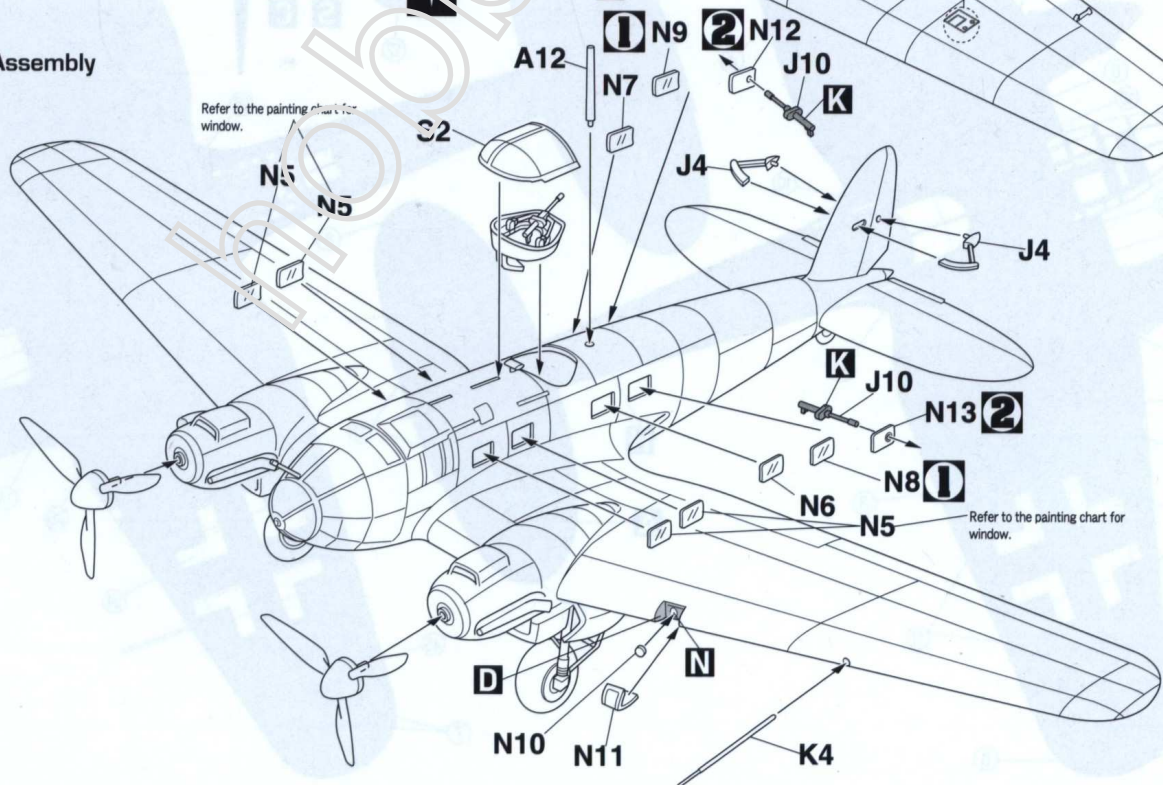
9 Propeller Assembly



10 Various Parts Installation



11 Final Assembly



I He 111 H-3, WNr. 6853, 1H+EN, 5./KG 26, Westerland, Germany, early 1940.



2 He 111 H-2, WNr. 6805, G1+BH, 1./KG 55, Swanage area, UK, 25 September 1940.

