


READ BEFORE ASSEMBLY


在組合您的模型之前，請充分閱讀本冊說明書。組合模型您需要如下物品(需另購)：模型膠水；一把模型鉗或一把用于將零件從框架上切下的模型筆刀。筆刀同樣可以用來修整零件的合模線。祝您制作愉快！
 Before assembling your model kit, read through these instructions carefully. To assemble this kit, you will need Plastic glue (not include). A pair of side cutter or a sharp modelling knife is required for removing parts from the frame. Plastic mould lines can be removed with the modelling knife.

-  **請注意**
Special instructions
-  **隨愛好選擇**
Optional
-  **組合完成**
Finished Assembly
-  **制作兩組**
Make Two
-  **配重**
Weight
-  **塗色**
-  **無需膠粘**
-  **對側**
Opposite

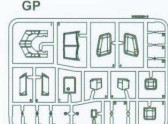
部品圖




《右機身》



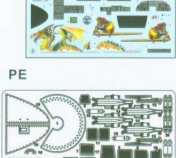
《左機身》



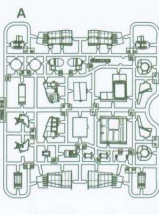
GP



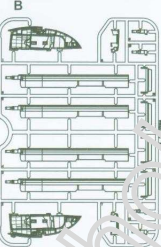
DECAL



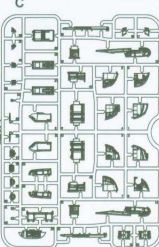
PE



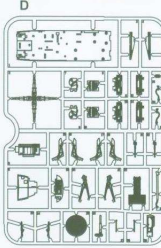
A



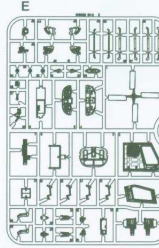
B



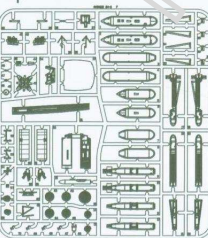
C



D

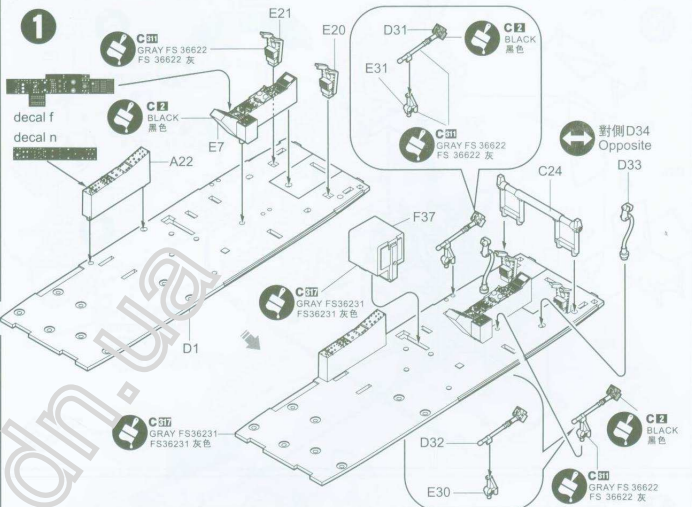


E



F

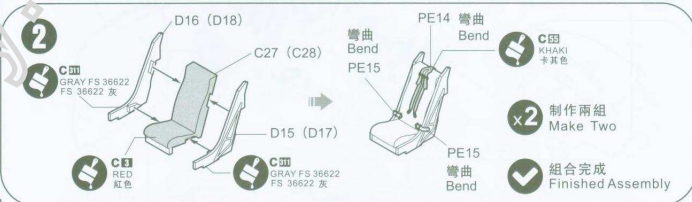
1



Assembly diagram for step 1 showing fuselage base assembly with parts D1, A22, E7, E20, E21, D31, E31, D32, D33, C24, F37, E30, and decals.

對側 D34
Opposite

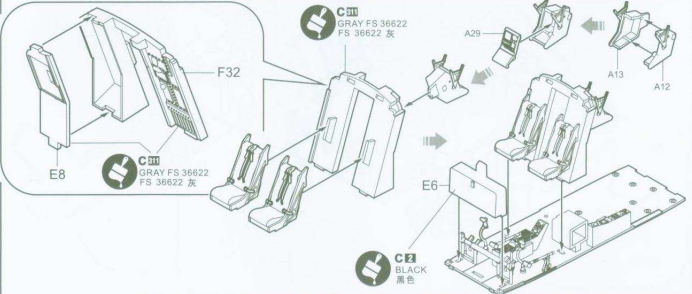
2



Assembly diagram for step 2 showing seat assembly with parts D16 (D18), C27 (C28), PE14, PE15, D15 (D17), and PE15.

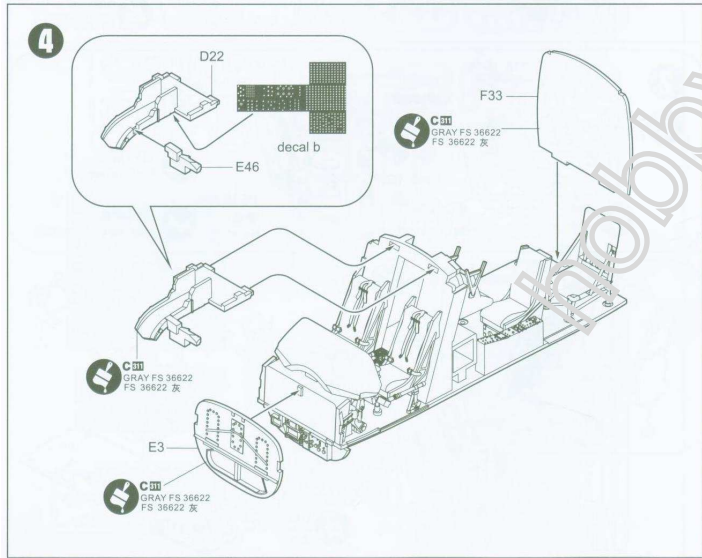
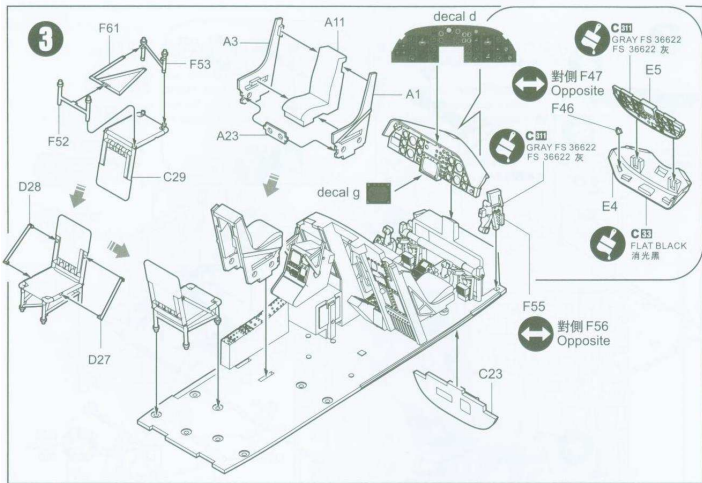
制作兩組
Make Two

3

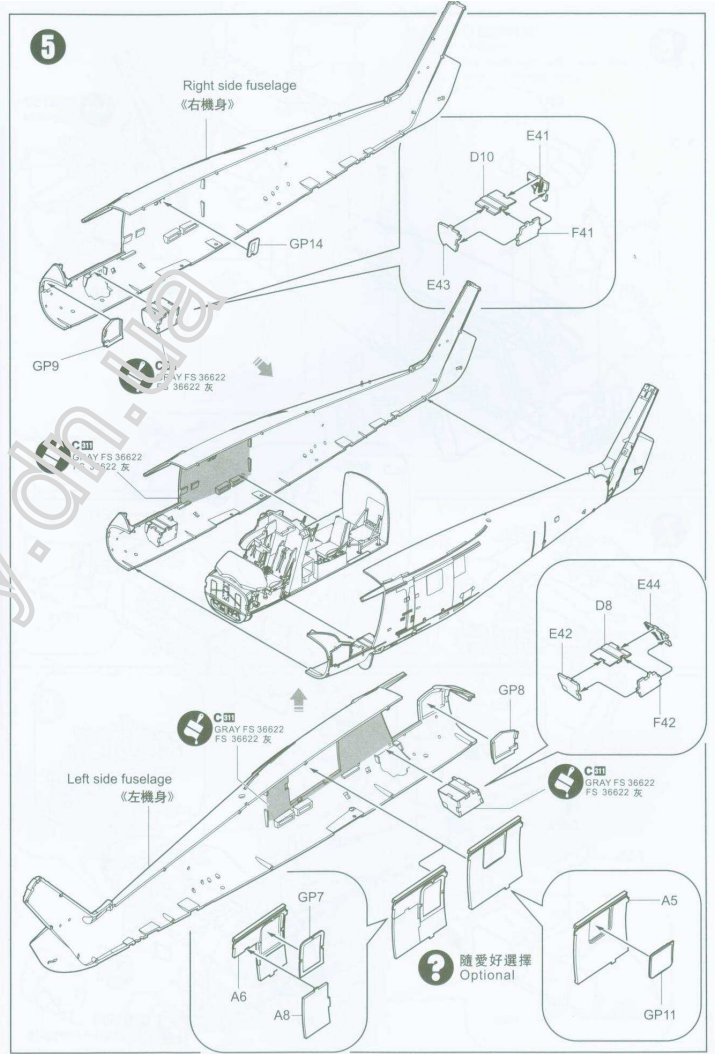


Assembly diagram for step 3 showing fuselage side assembly with parts F32, E8, A29, A13, A12, and E6.

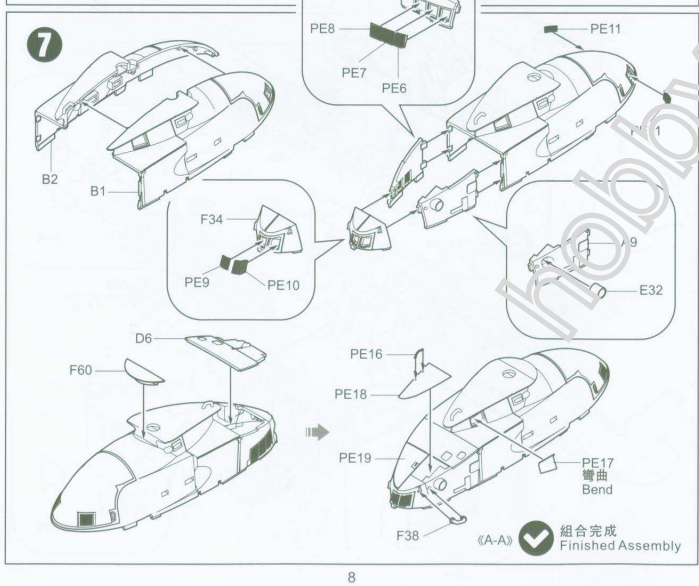
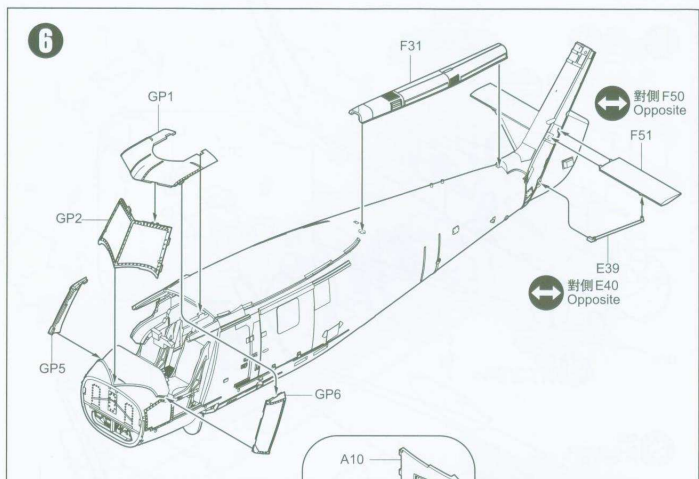
組合完成
Finished Assembly



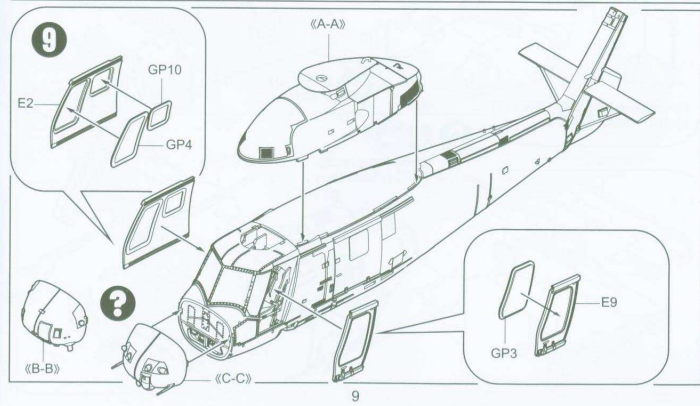
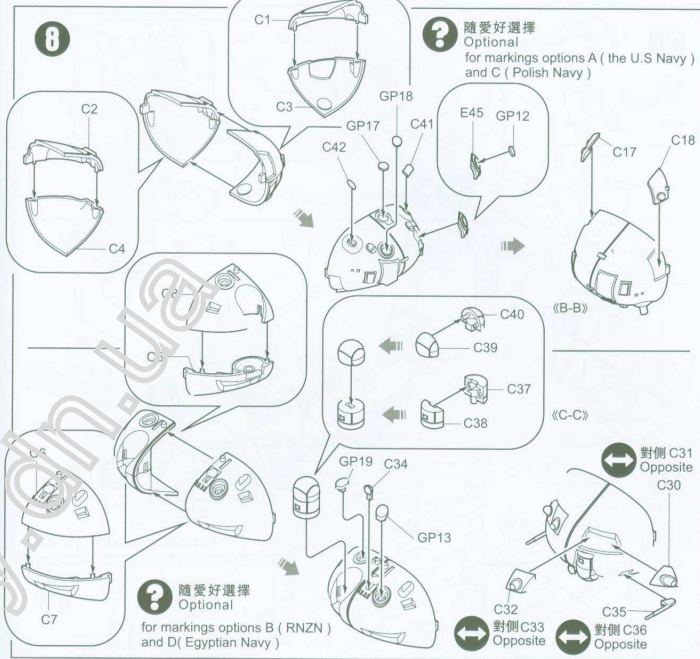
6



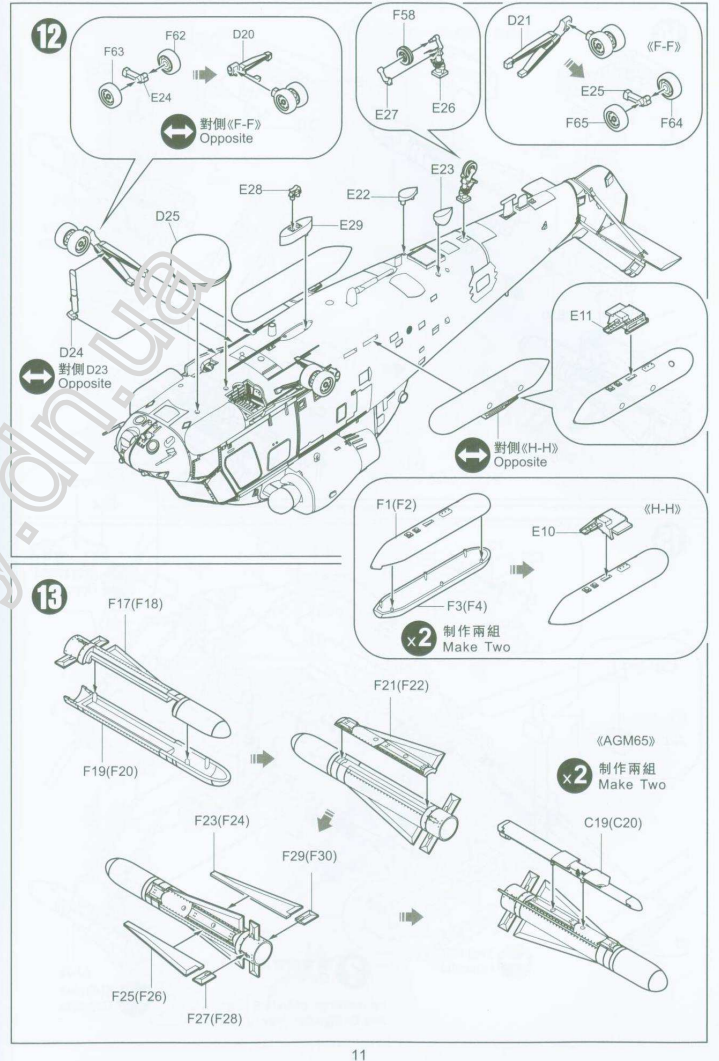
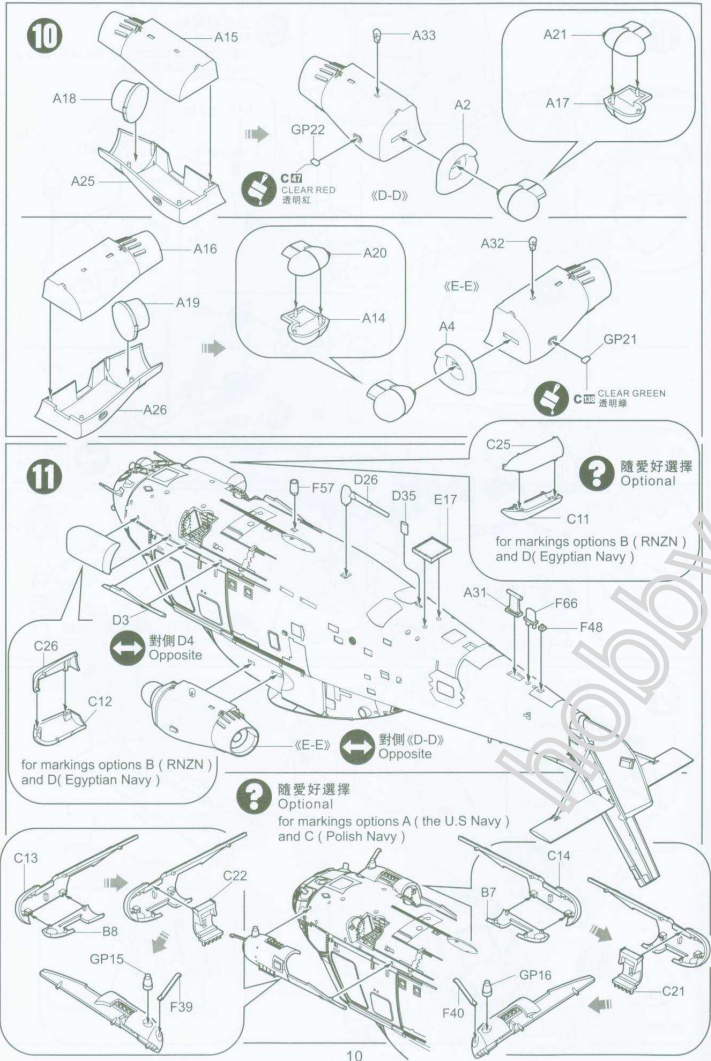
7

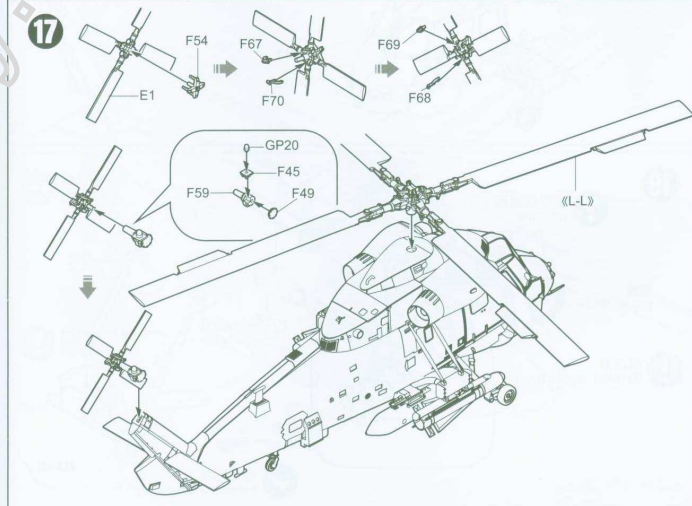
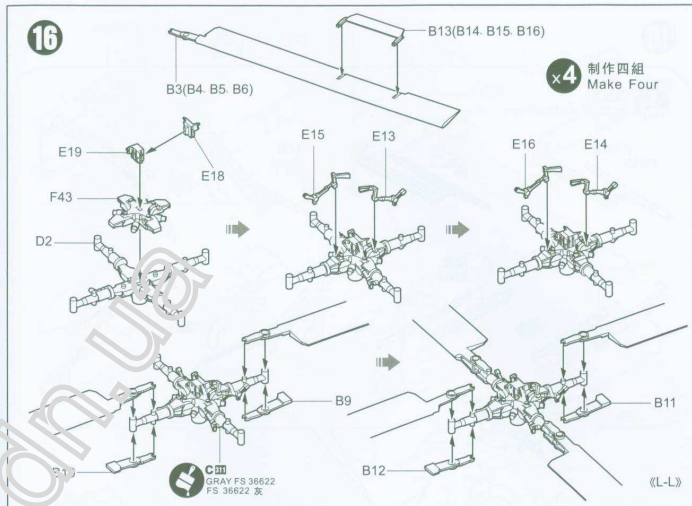
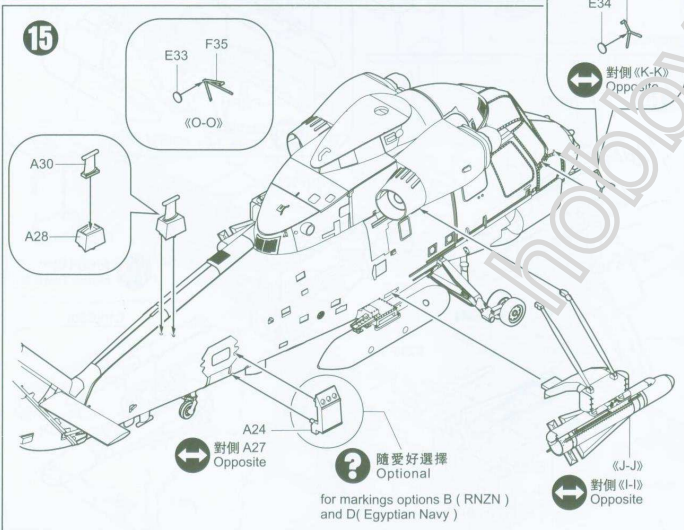
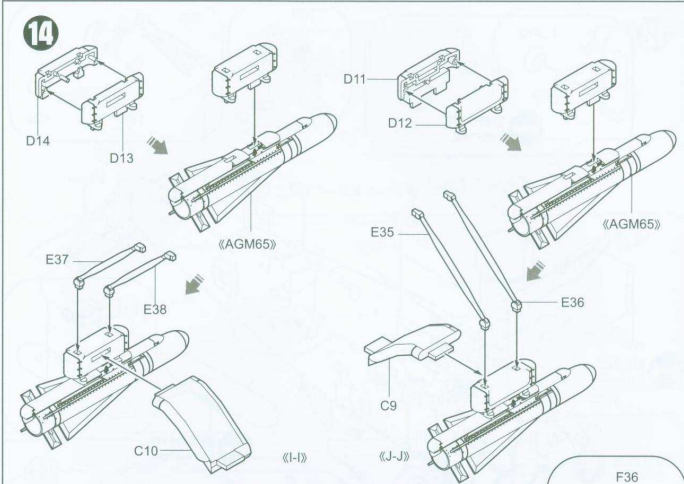


8



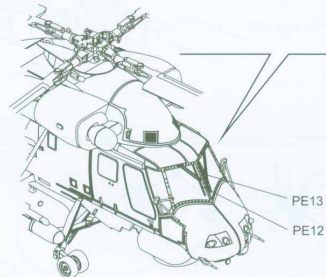
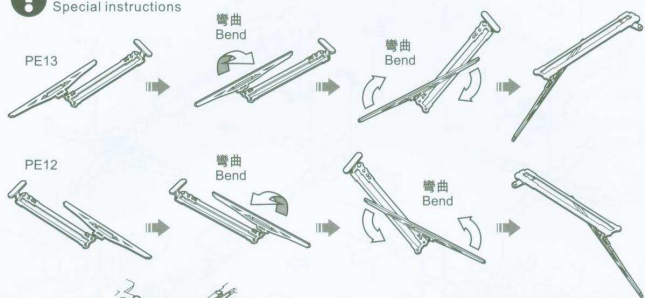
9





18

! 請注意
Special instructions

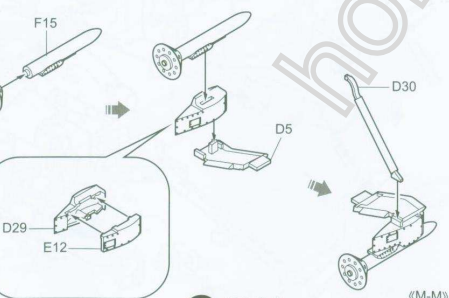


19

? 隨愛好選擇
Optional

彎曲
Bend PE1

! 請注意
Special instructions

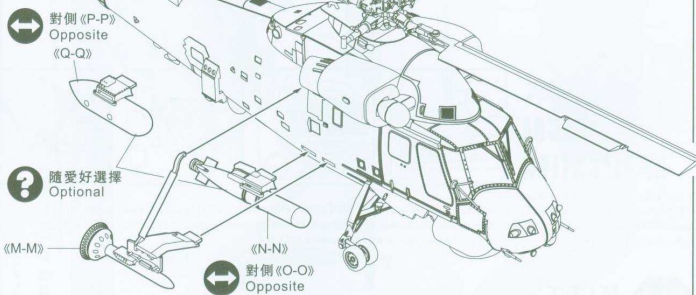
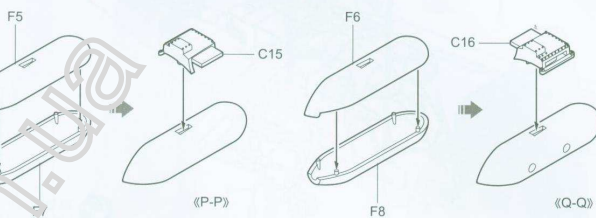
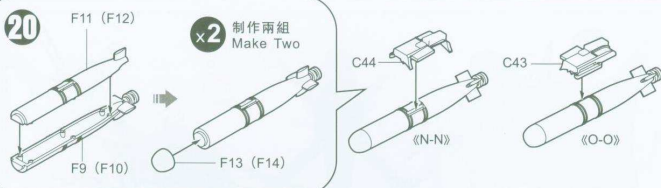


✓ 組合完成
Finished Assembly

14

20

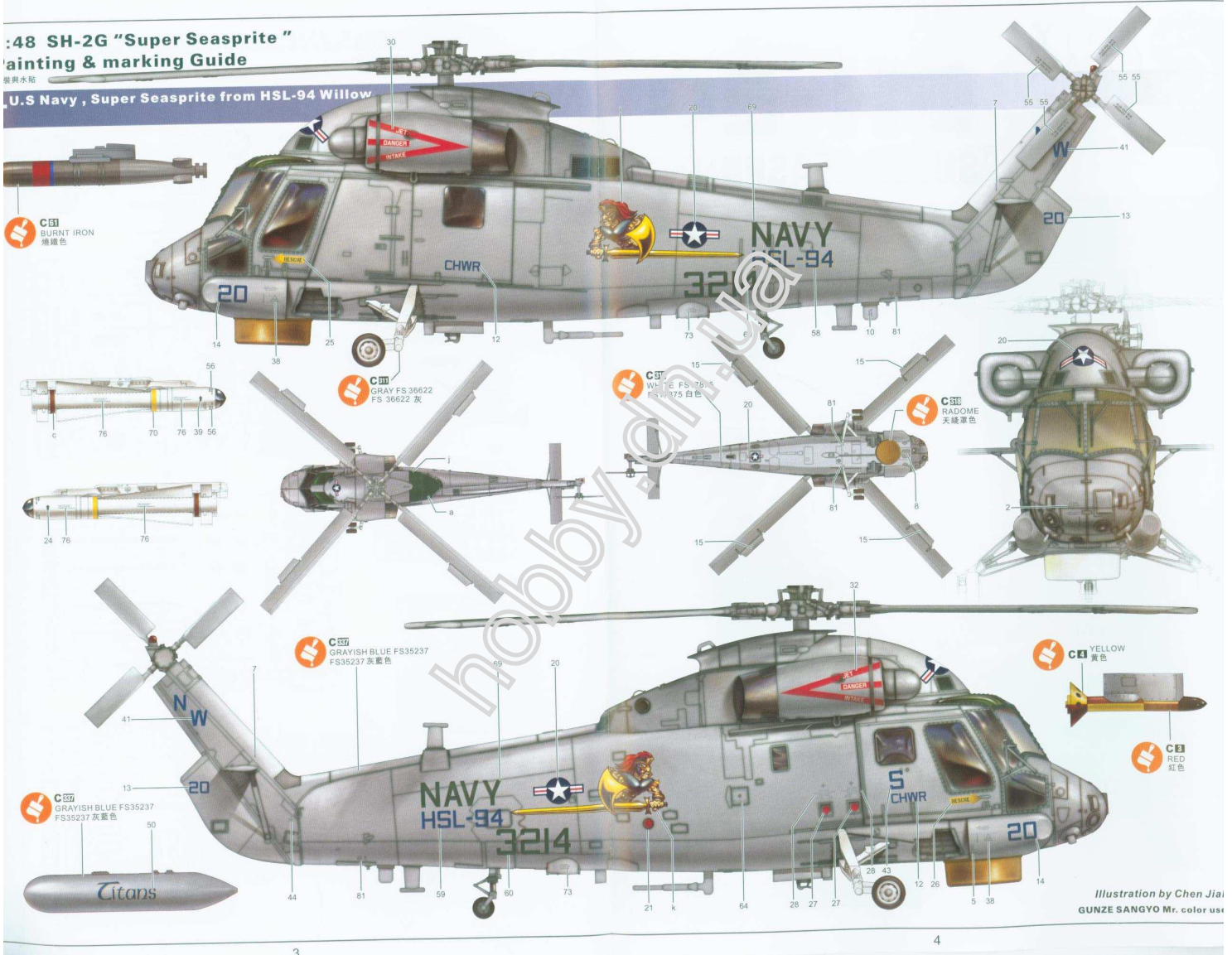
×2 制作兩組
Make Two



15

1:48 SH-2G "Super Seasprite" Painting & marking Guide

裝與水貼
U.S Navy , Super Seasprite from HSL-94 Willow



C57
BURNT IRON
燒鐵色

C57
GRAY FS 36622
FS 36622 灰

C57
WHITE FS 70
FS 70 白色

C31
RADOME
天線罩色

C57
GRAYISH BLUE FS35237
FS35237 灰藍色

C1
YELLOW
黃色

C57
GRAYISH BLUE FS35237
FS35237 灰藍色

C3
RED
紅色

Illustration by Chen Jial
GUNZE SANGYO Mr. color user