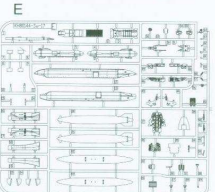
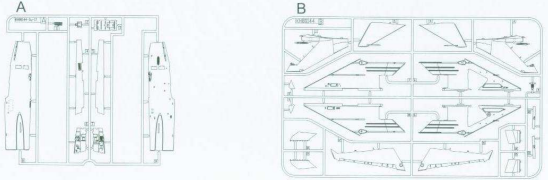


READ BEFORE ASSEMBLY

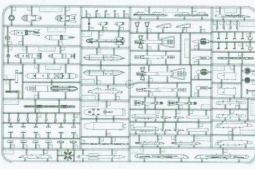
在組合您的模型之前，請充分閱讀本冊說明書。組合模型您需要如下物品（需另購）：模型膠水；一把模型鉗或一把用于將零件從框架上切下的模型筆刀。筆刀同樣可以用來修整零件的合模線。祝您制作愉快！
Before assembling your model kit, read through these instructions carefully. To assemble this kit, you will need Plastic glue (not include). A pair of side cutter or a sharp modelling knife is required for removing parts from the frame. Plastic mould lines can be removed with the modelling knife.

-  塗色
Painting
-  隨愛好選擇
Optional
-  組合完成
Finished Assembly
-  制作兩組
Make Two
-  切除
Cut
-  對側
Opposite
-  彎曲
Bend
-  鉆孔
Make Hole

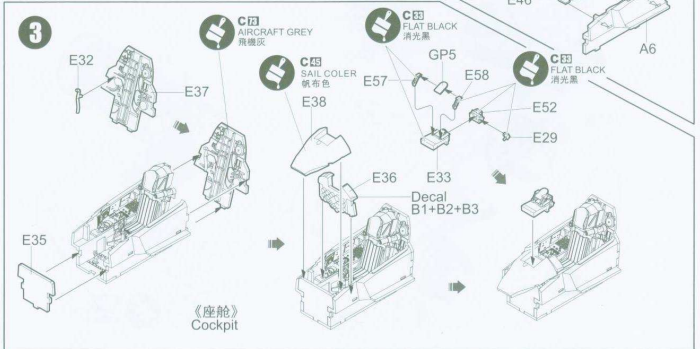
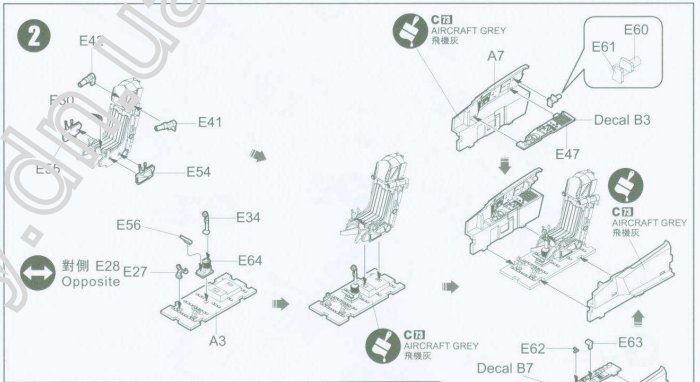
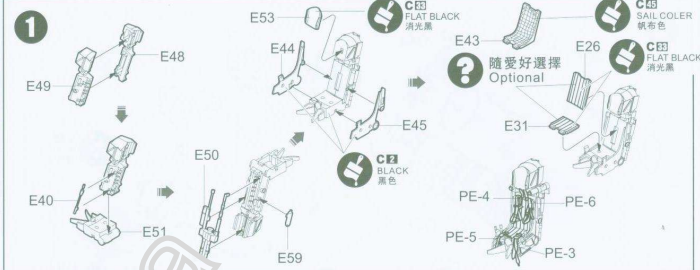
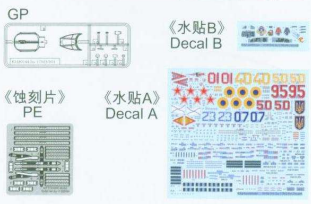
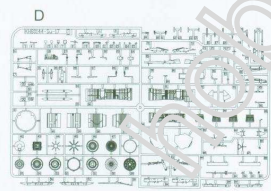
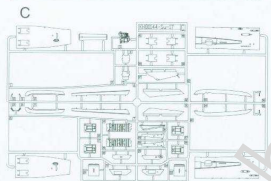
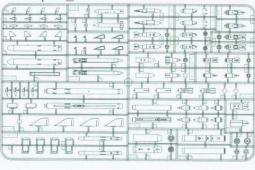
部品圖 PARTS



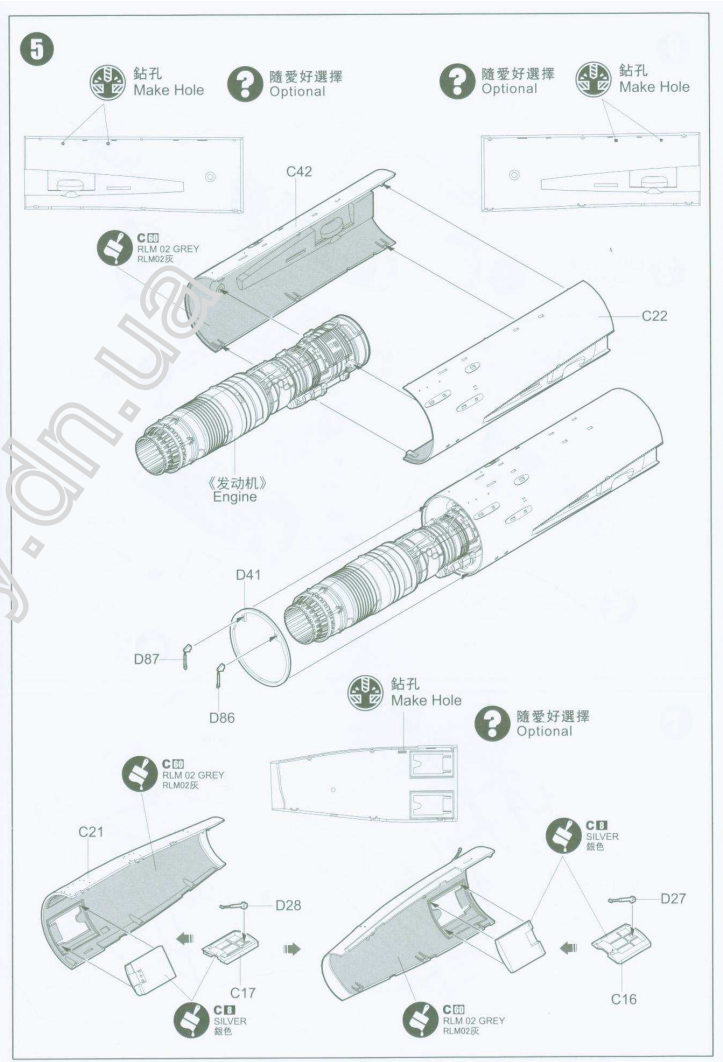
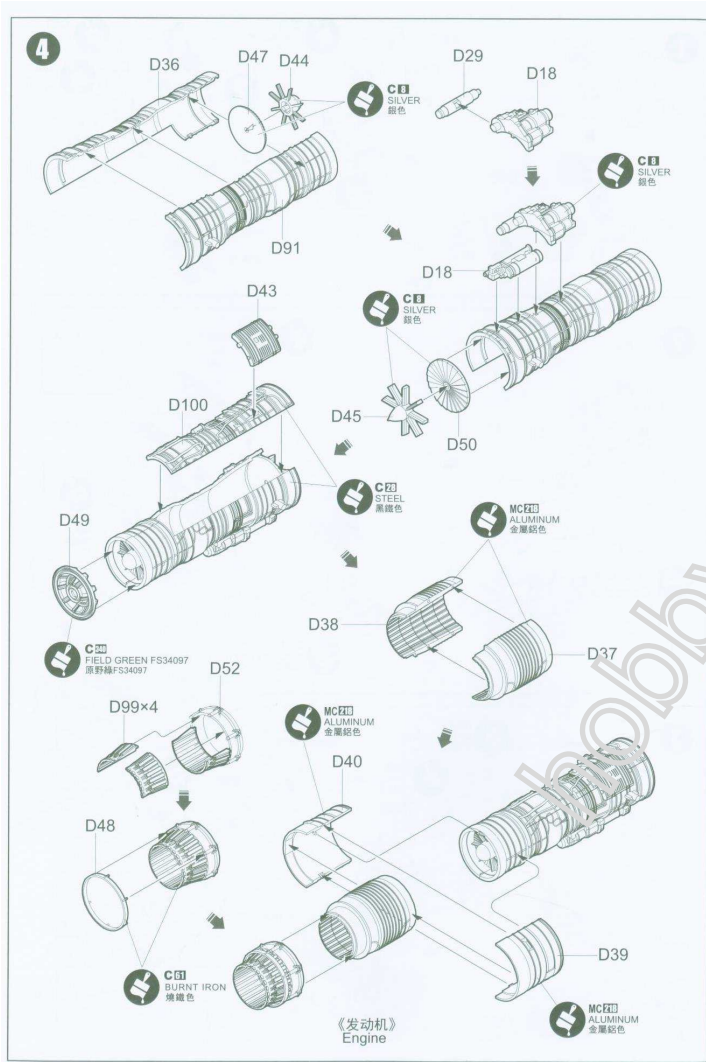
Weapon_1 X2



Weapon_2 X2



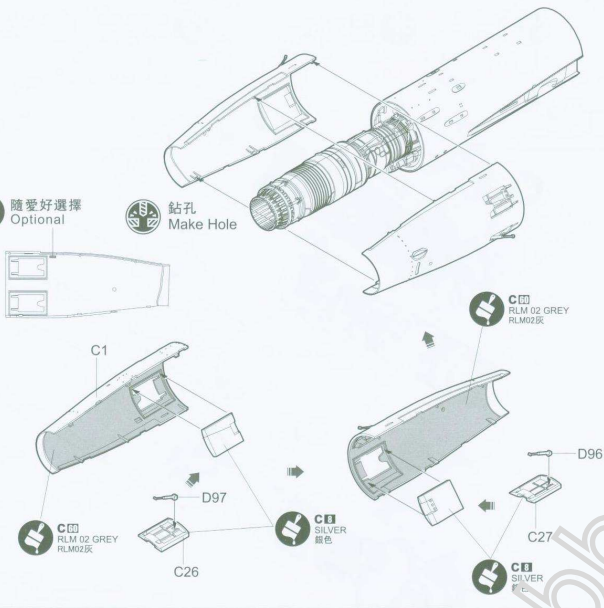
《座艙》
Cockpit



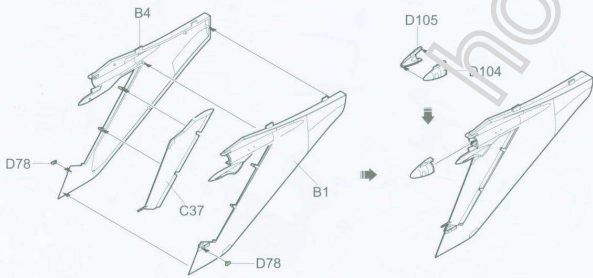
6

隨愛好選擇
Optional

黏孔
Make Hole

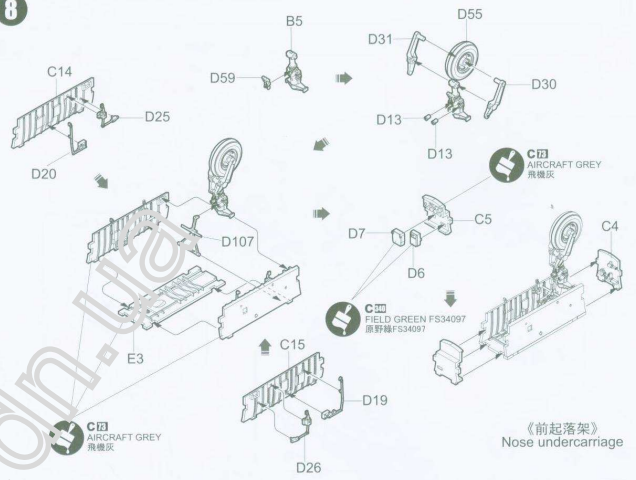


7

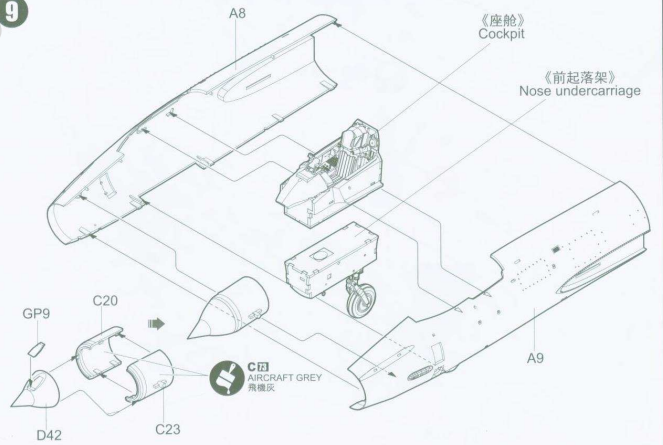


6

8

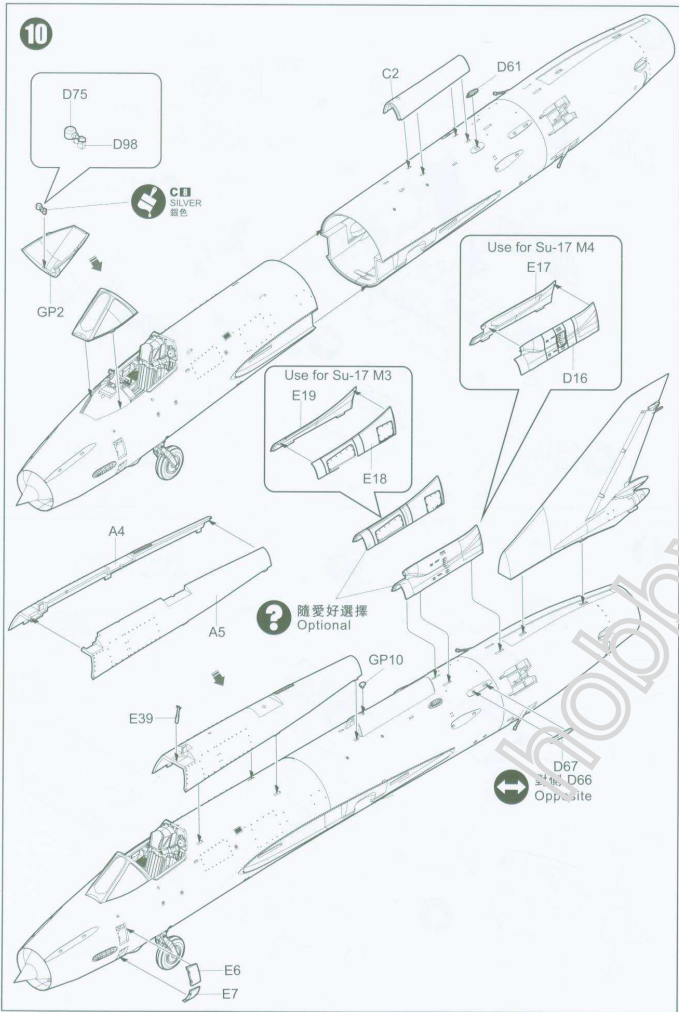


9



7

10

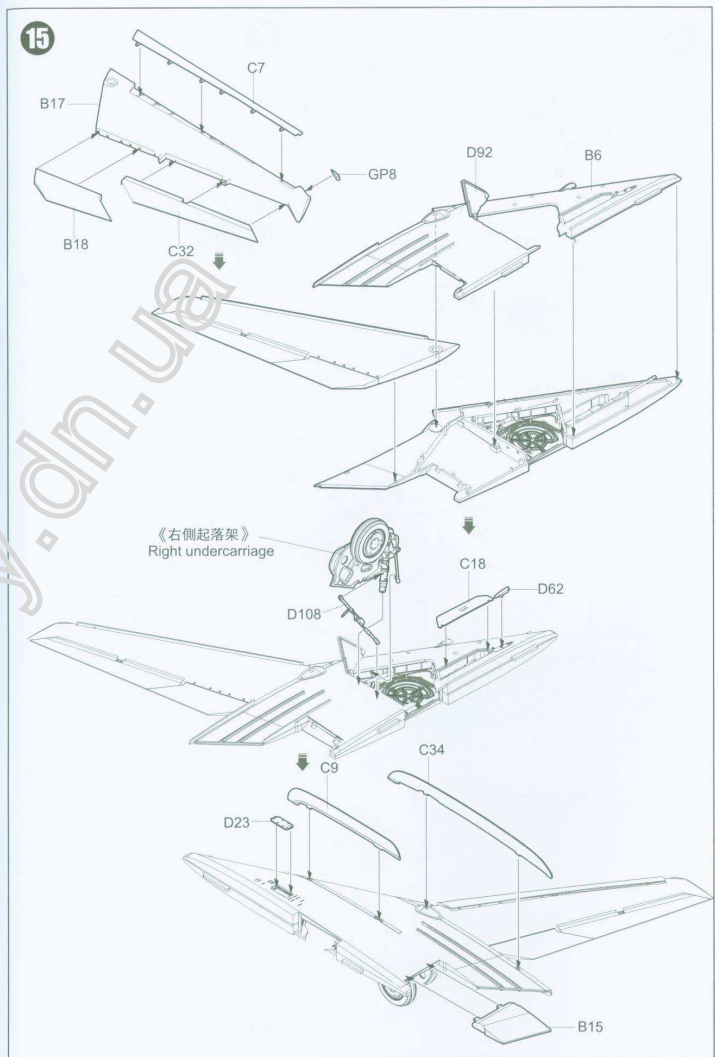
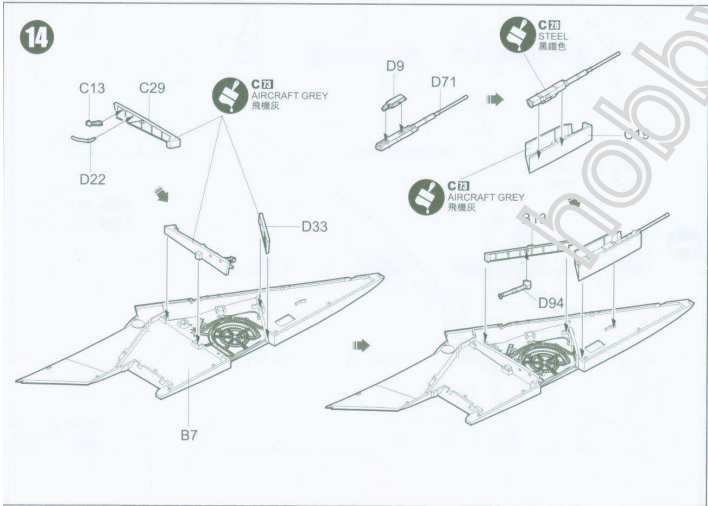
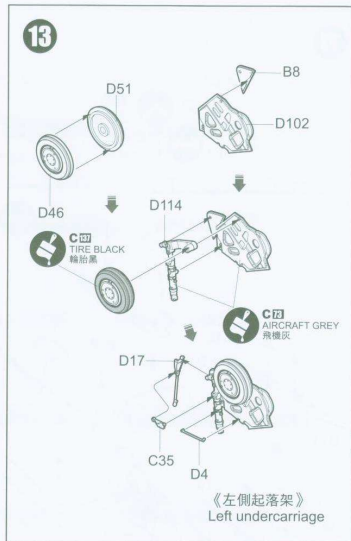
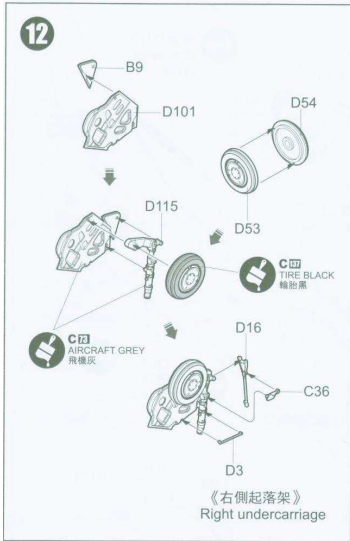


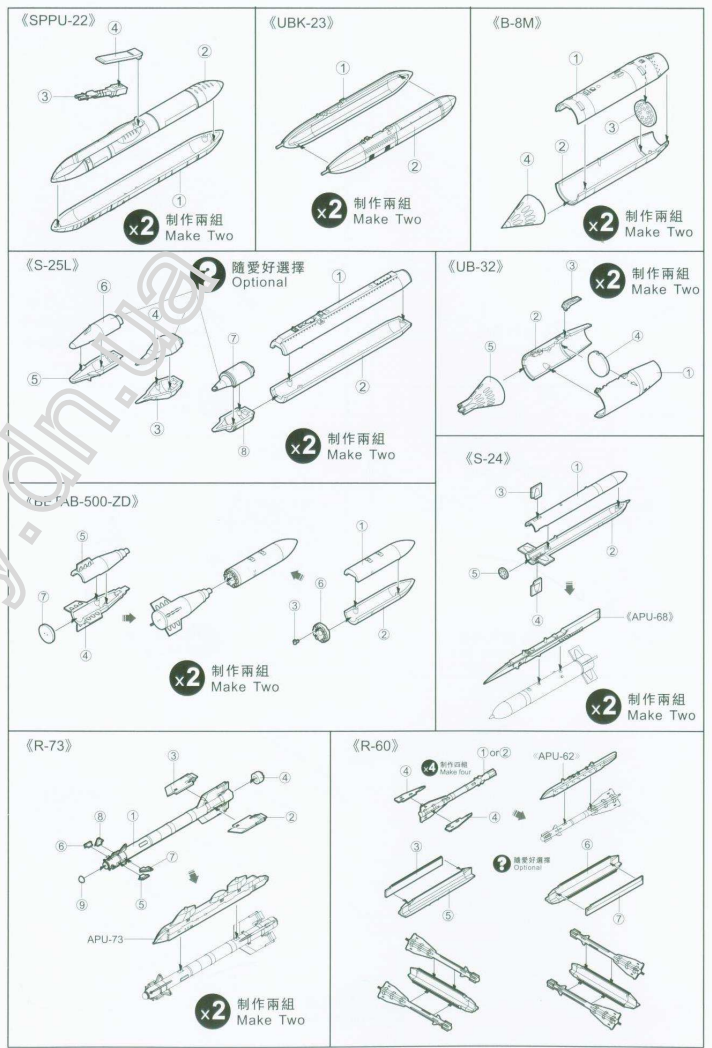
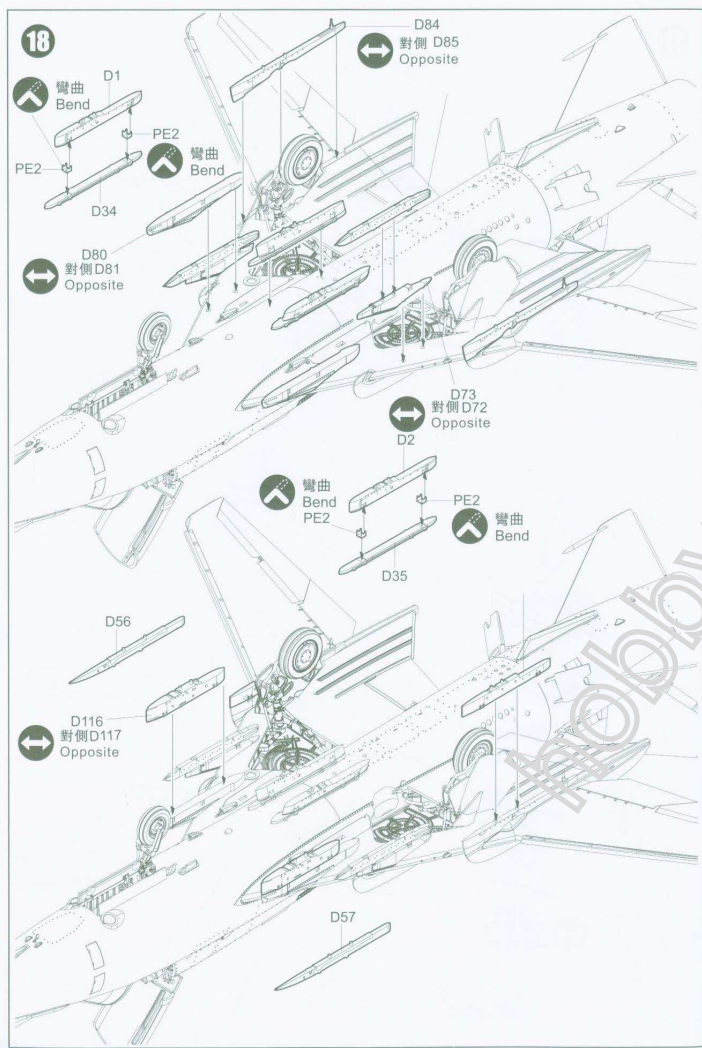
Painting & marking Guide

塗裝與貼紙

Su-17 M3R, 313th ORAP based at Vizavi. It arrived at Bagram, Afghanistan in May 1988.







Painting & marking Guide

塗裝與水貼

Su-17 M3, Russia Air force, Red 95.

