

F-35B



Q-MEN 2019

LIGHTNING II



尺寸: 108X109X76mm

Dimension: 108 X109 X76 mm

零件数: 19+15

Number Of Parts: 19+15 PCS

免胶快速拼装

Glue-free Quick Assembly

附赠美国海军陆战队飞行员玩偶

USMC Pilot Figure Is Included

可选择两种涂装

Two Schemes Are Available

The F-35 "lightning II" joint attack fighter is a single seat single engine combat attack aircraft, and also a low-level auxiliary aircraft of the F-22. It is mainly used for front-line support, target bombing, air defense interception and other tasks. The F-35 belongs to the fifth generation fighter. It has high stealth design, advanced electronic system and certain supersonic cruise capability.

F-35 "闪电II" 联合攻击战斗机是一款单座单发战斗攻击机, 也是F-22低阶辅助机种。主要用于前线支援、目标轰炸、防空截击等多种任务。F-35在战机世代上属于第五代战斗机, 具备较高的隐身设计、先进的电子系统以及一定的超音速巡航能力。



14+

ITEM NO. 01002

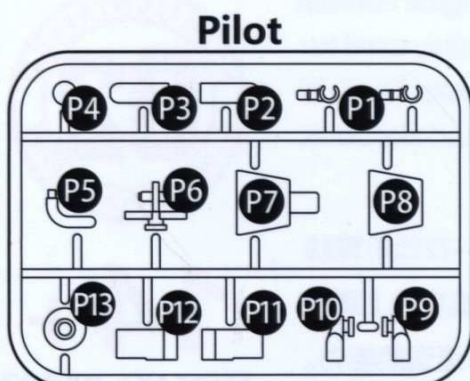
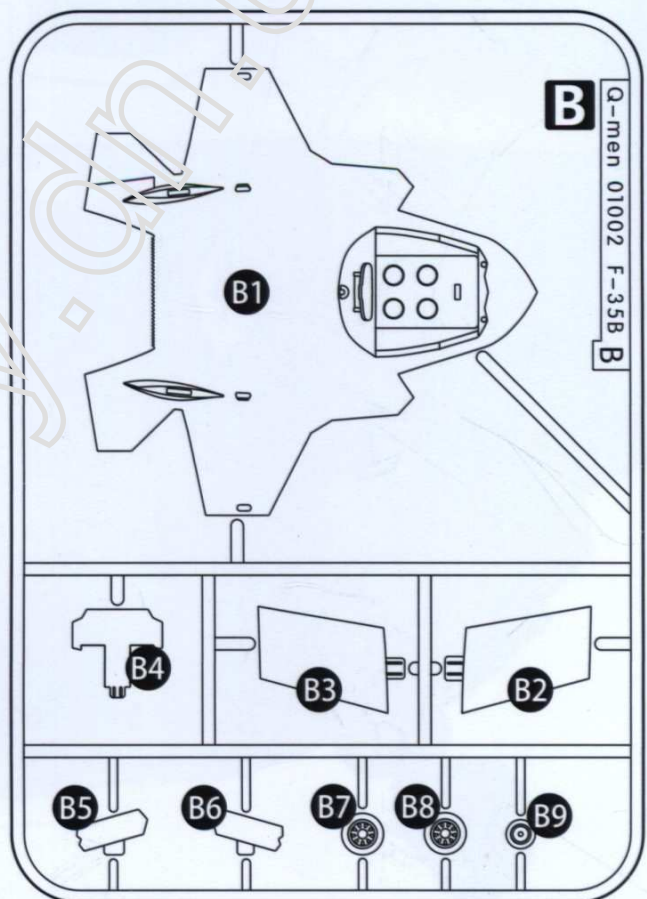
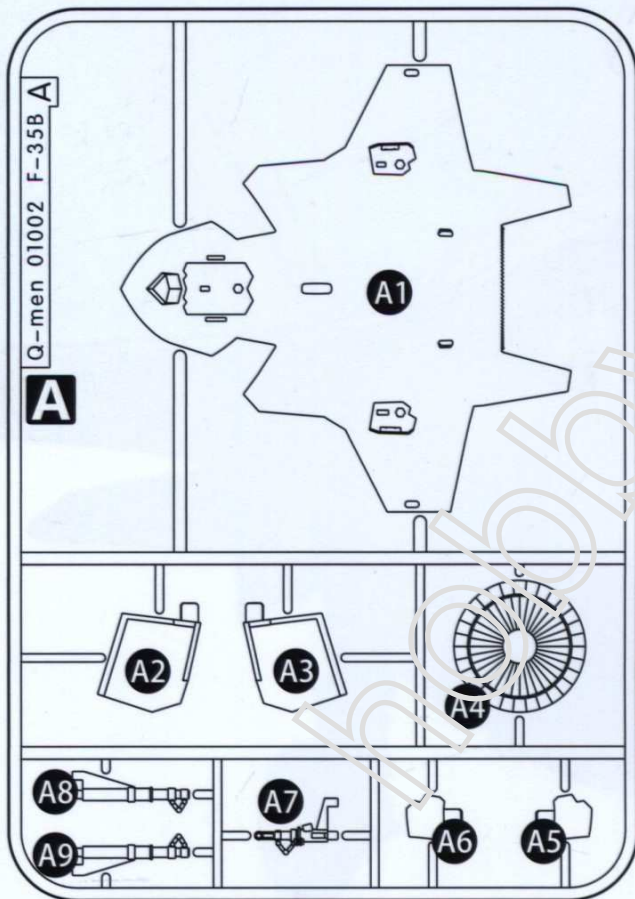
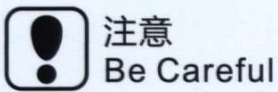
CAUTION

Make sure to read instructions listed below before assembling:

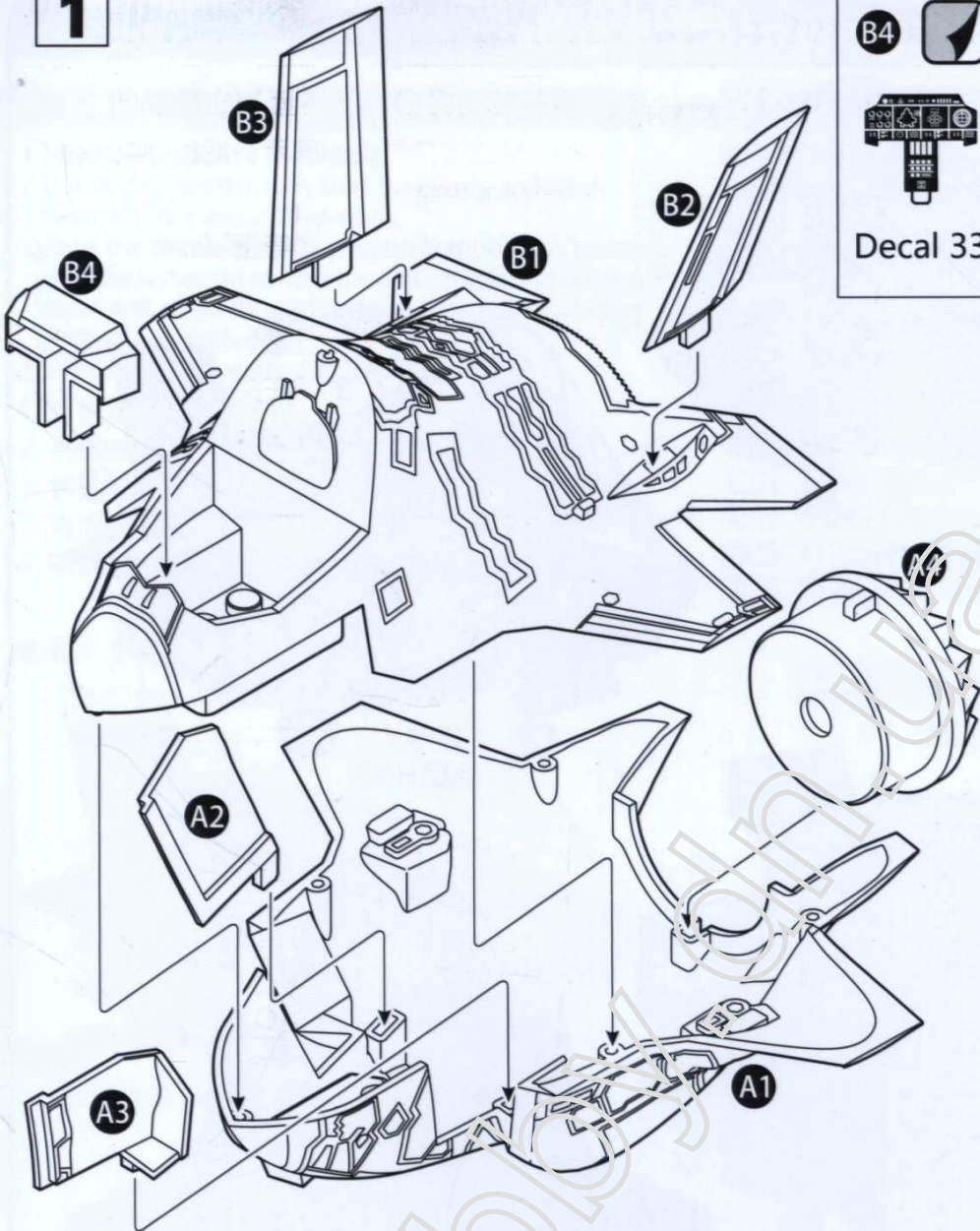
1. Please read the illustration first, grasp the whole order before assembling.
2. Please use the specialized plastic tools such as super glue and coating, and keep away from the fire.
3. Throw away the plastic bags as children may be suffocated by swallowing or wearing over head.
4. Some parts are too sharp, please keep away from children and avoid contacting.

组装前请务必阅读下面列出的说明：

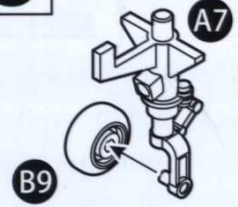
1. 组装前请先看说明图示，把握整体顺序后再进入组装。
2. 请使用强力胶、涂料等塑胶专用工具，远离火源。
3. 撕开并扔掉装零件的塑料包装袋，避免儿童可能会因吞咽或戴在头上造成的窒息。
4. 有些零件过于锋利，请远离儿童，避免其接触。



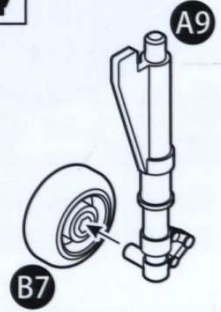
1



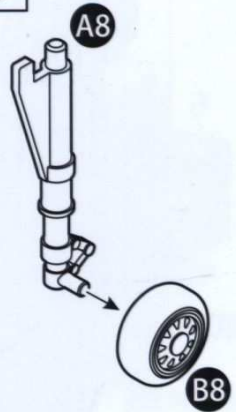
3



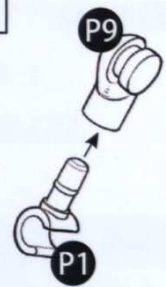
4



5



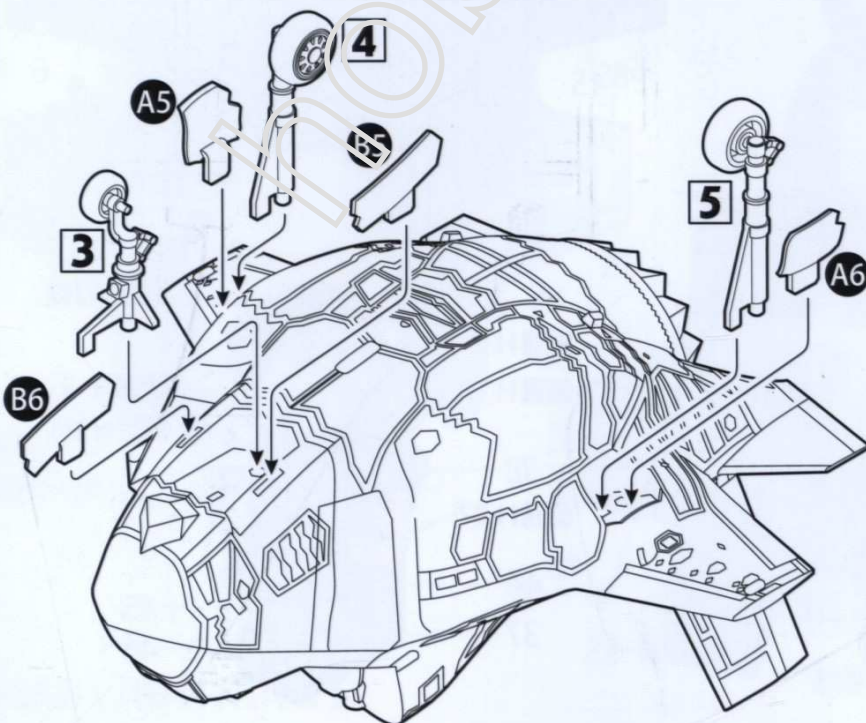
6



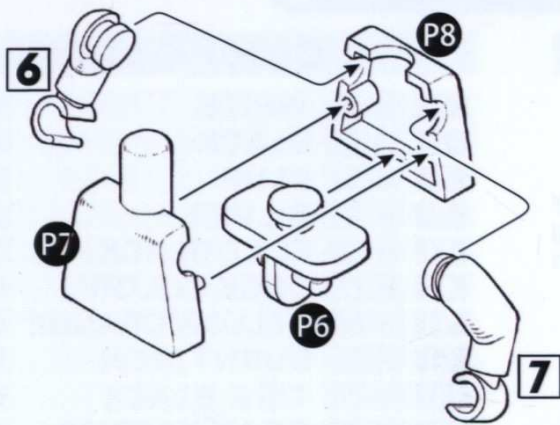
7



2



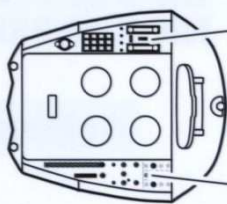
8



9

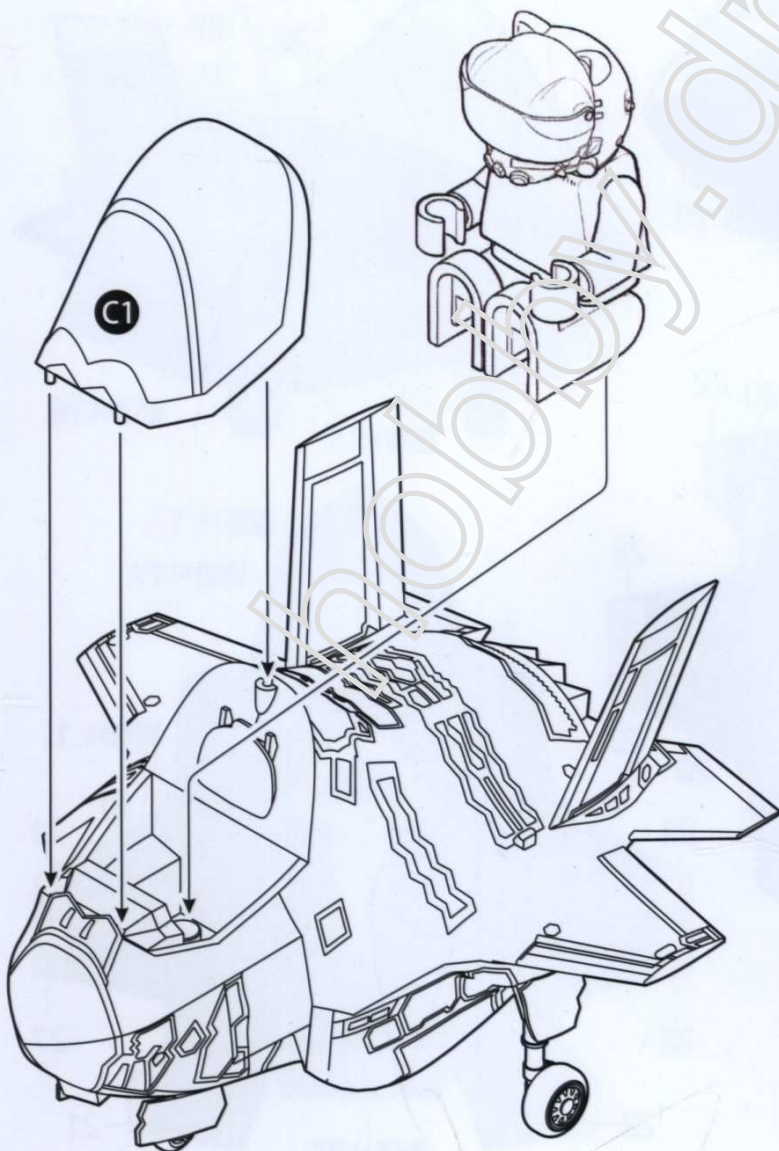


10

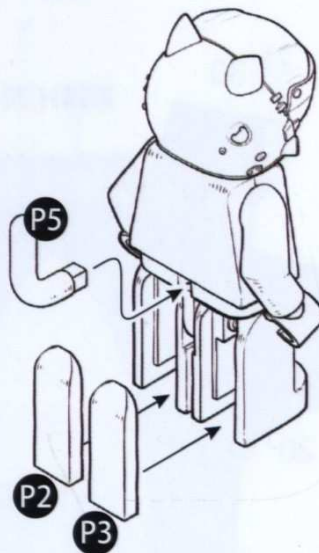


Decal 34

Decal 35



11



坐姿飞行员无需安装 P2-P5

Sitting pilot doesn't need to install P2-P5

F-32B LIGHTNING II

Marking & Painting

水贴使用说明

1. Wipe the surface of the model.
2. Cut off the decals in turn, soak the decals, and take them out after about 15 seconds.
3. Place the decals in the corresponding position, gently push the surface to remove the pattern from the backing paper, and adjust the pattern to an appropriate position before the water is dry.
4. Wipe the excess water stain and then finish!

1. 将模型表面擦拭干净
2. 将贴纸依次剪下，泡湿贴纸，约15秒后取出
3. 将贴纸放在相应位置，轻推贴纸表面，使图案脱离底纸，在水干之前将图案调整至适当位置
4. 擦拭多余水渍，完成！

Color Guide

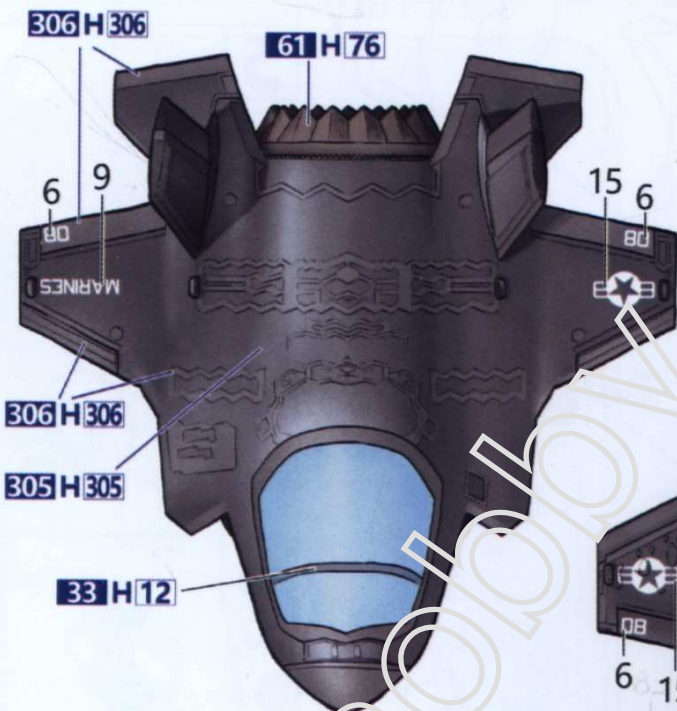
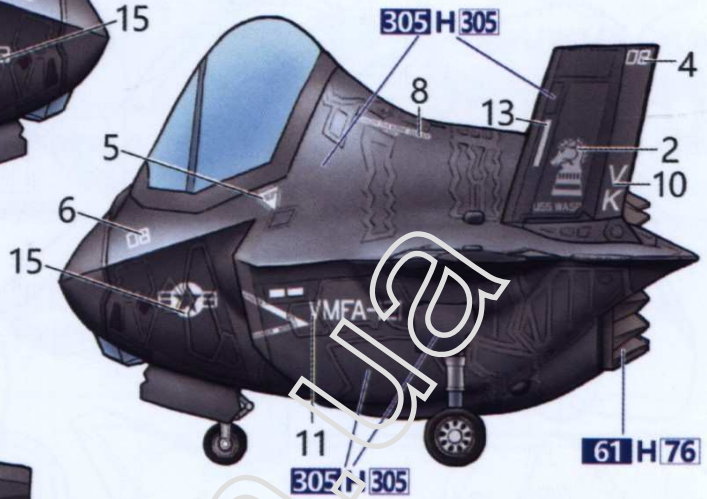
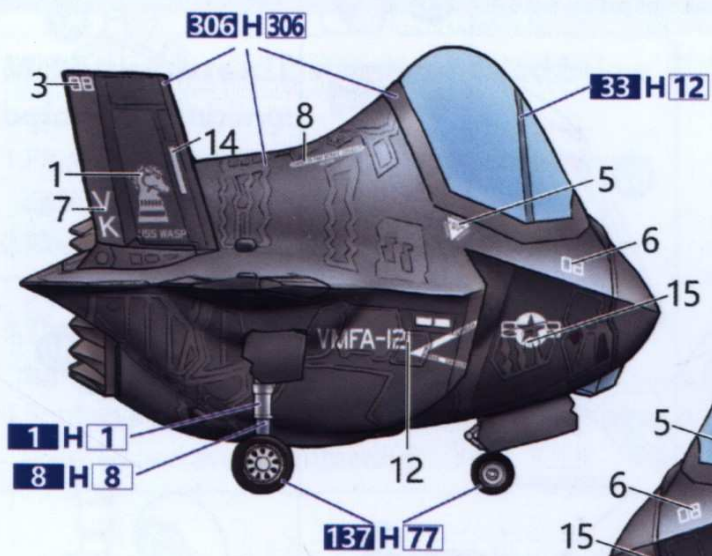
1	H 1	WHITE	光泽白
2	H 2	BLACK	光泽黑
5	H 5	BLUE	光泽蓝
8	H 8	SILVER	银
33	H 12	FLAT BLACK	消光黑
44	H 27	DECK COLOR	甲板色
58	H 24	YELLOW ORANGE	黄橙色
61	H 76	BURNT IRON	烧铁色
137	H 77	TIRE BLACK	轮胎黑
305	H 305	GRAY FS36118	灰色
306	H 306	GRAY FS36270	灰色
336	H 336	FLAXEN GREEN	亚麻绿
340	H 340	FELD GREEN	绿

Scheme 1



F-35B LIGHTNING II

Scheme 2



PLAAF Pilot Figure

