

AUSTIN ARMORED CAR 3rd SERIES

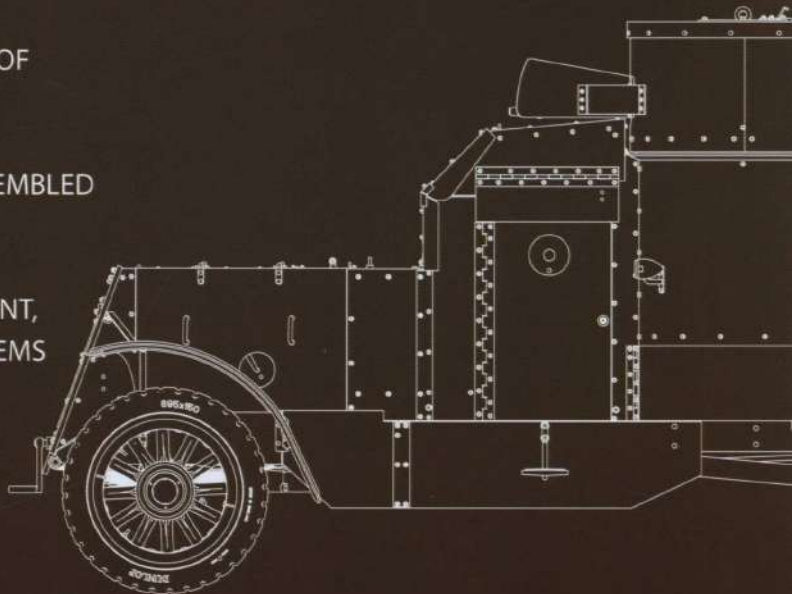
UKRAINIAN, POLISH, GEORGIAN, ROMANIAN SERVICE

39005

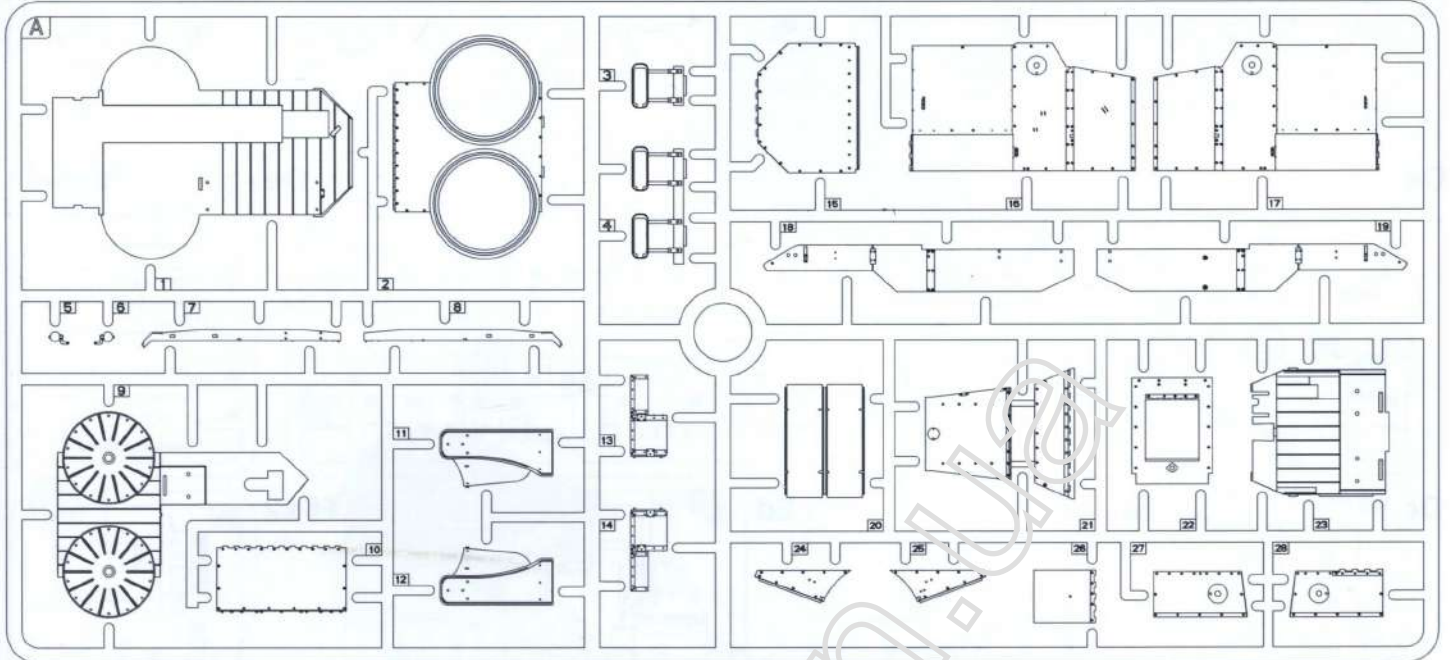
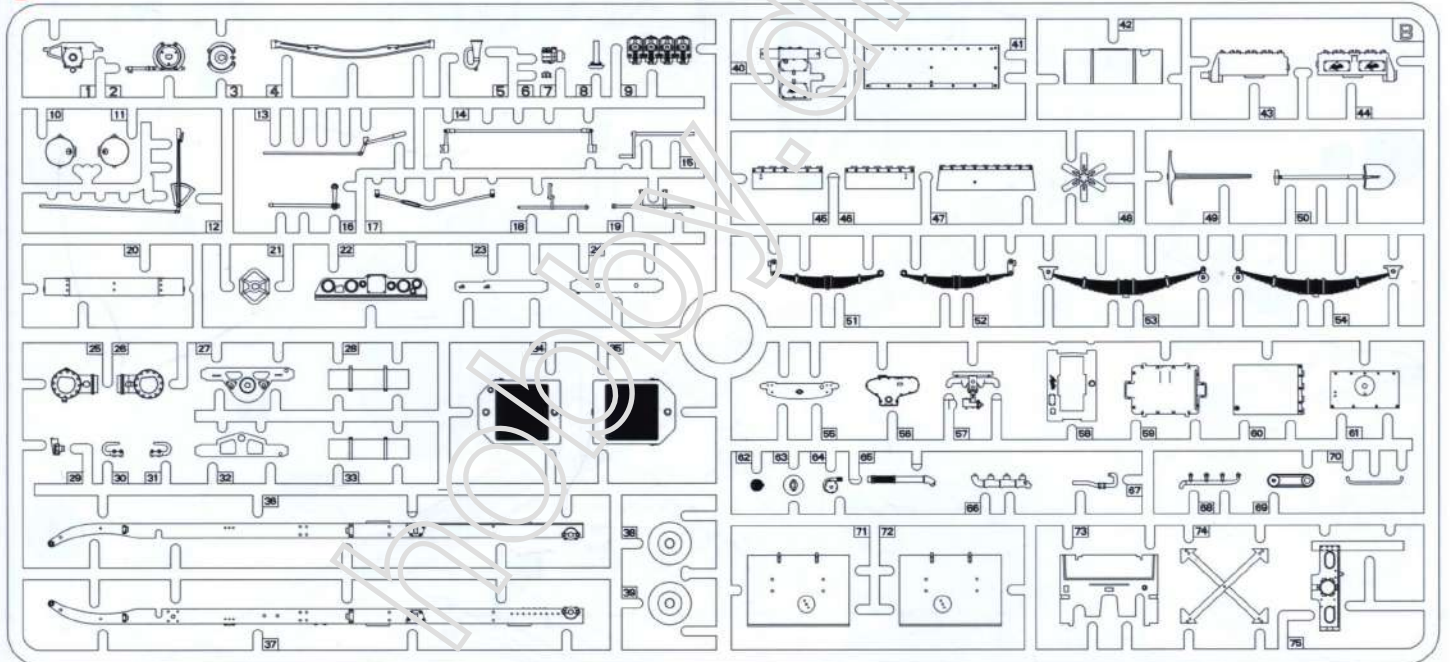
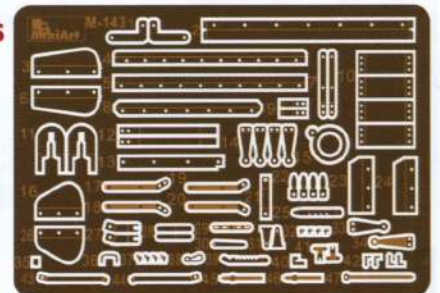


GENERAL INSTRUCTION

- HIGHLY DETAILED PLASTIC MODEL KIT
- DRIVER COMPARTMENT AND INTERIOR OF TURRET ACCURATELY REPRESENTED
- ALL HATCHES AND DOORS CAN BE ASSEMBLED IN OPEN OR CLOSED POSITION
- HIGHLY DETAILED ENGINE COMPARTMENT, TRANSMISSION, BRAKE, STEERING SYSTEMS
- PHOTO-ETCHED PARTS INCLUDED
- CLEAR PLASTIC PARTS INCLUDED
- DECAL SHEET FOR 5 OPTIONS



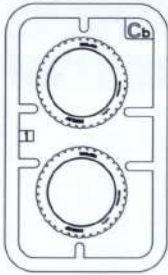
SCALE
1:35

A**B****Decal Sheet****PE parts**

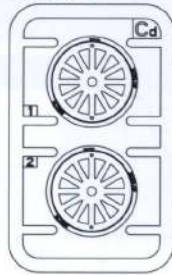
<p>x2</p> <p>MAKE 2PCS 2 TEILE FERTIGEN EFFECTUER 2 PIÈCES FARE DUE PEZZI TEE 2 KPL GOR 2 ST ПОКТОРИТЬ ДВА РАЗА КІЛЬКОСТЬ РАЗІВ</p>	<p>A</p> <p>DO NOT CEMENT NICHT KLEBEN NE PAS COLLER NON INCOLLARE EIJIMAA LIMMAEJ НЕ ИСПОЛЬЗОВАТЬ КЛЕЙ НЕ КЛЕЙТИ</p>	<p>OPTIONAL NACH BELIEBEN FACULTATIF FACOLTATIVO VALINNANVARAINEN VALBAR ВАРИАНТЫ ВАРІАНТИ</p>	<p>OPEN HOLE OFFNEN FAIRE UN TROU FORO APERTO AVAA REIKA OPPNA HALET СДЕЛАТЬ ОТВЕРСТИЕ ЗРОБИТИ ОТВІР</p>	<p>REMOVE ENTFERNEN RETIRER SEPARARE POISTA AVLAGSNA ОТРЕЗАТЬ ВІДРІЗАТИ</p>	<p>BEND BITTE BIEGEN PLIER S'IL VOUS PLAÎT PIEGARE TAITA BOCKA ВЫГНУТЬ ВИГНУТИ</p>	<p>SCRATCHBUILD AM MEISTEN ZU MACHEN FAIRE LE PLUS RENDITI TEE ITSE GOR DIG SJÄLV СДЕЛАТЬ САМОМУ ЗРОБИТИ САМОМУ</p>
--	--	---	---	--	---	--

PARTS

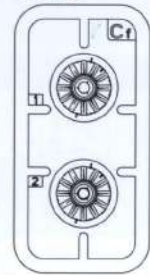
Cb x2



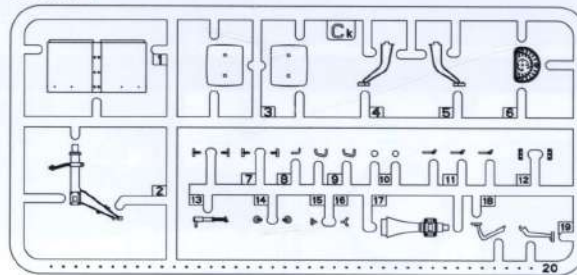
Cd x2



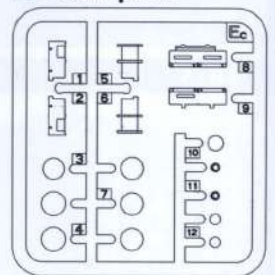
Cf x2



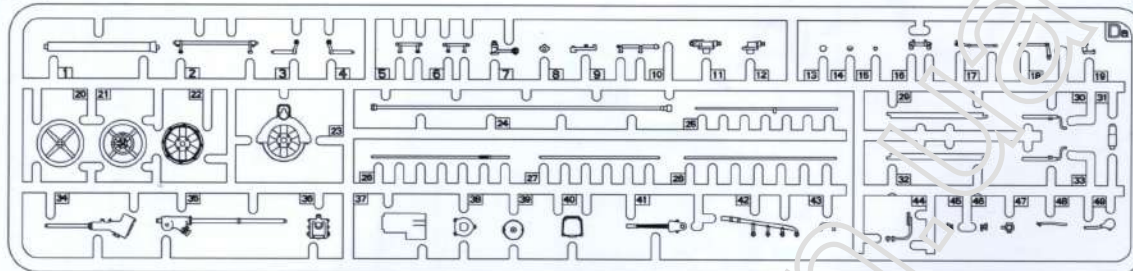
Ck x2



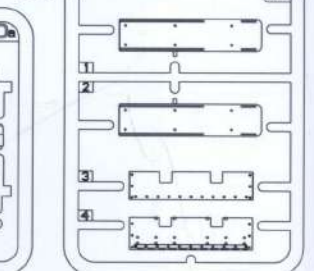
EC Clear parts



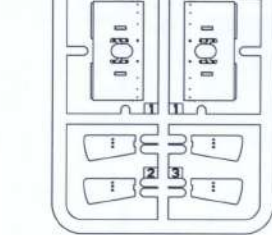
Da



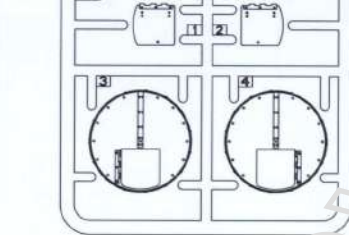
De



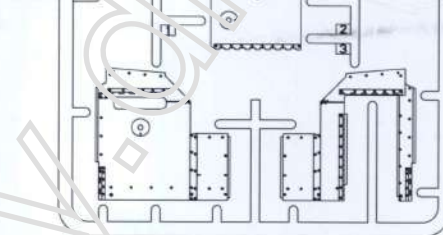
Dc



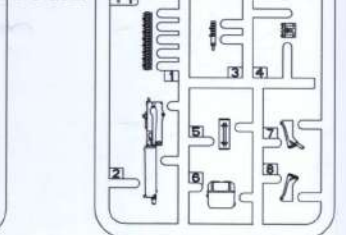
Ea



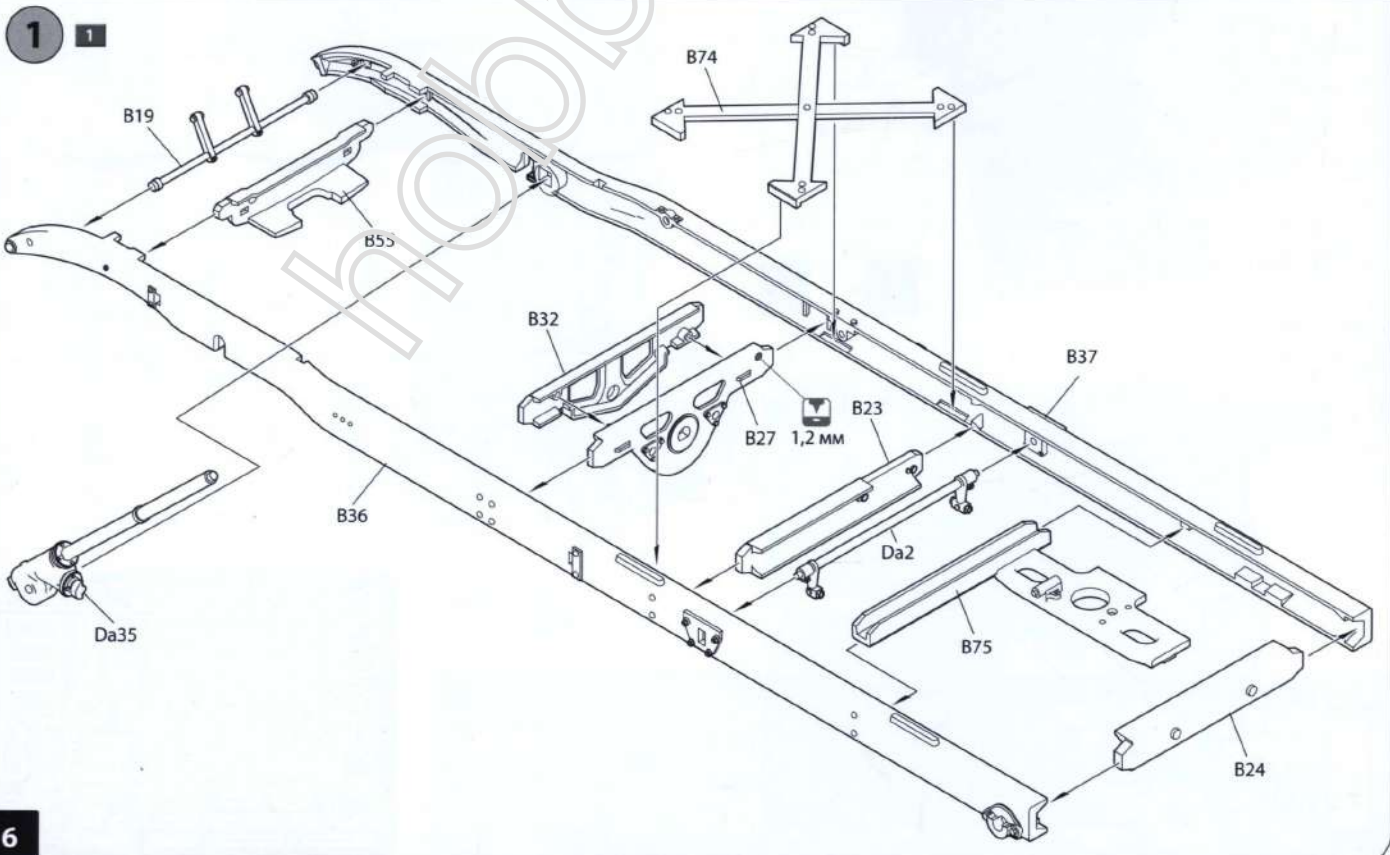
Ed



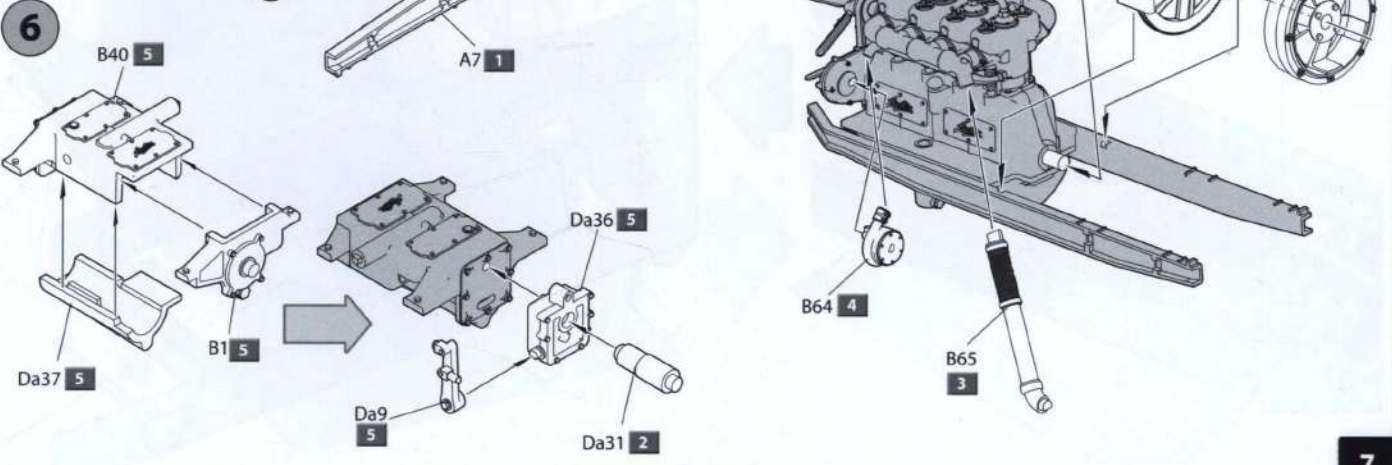
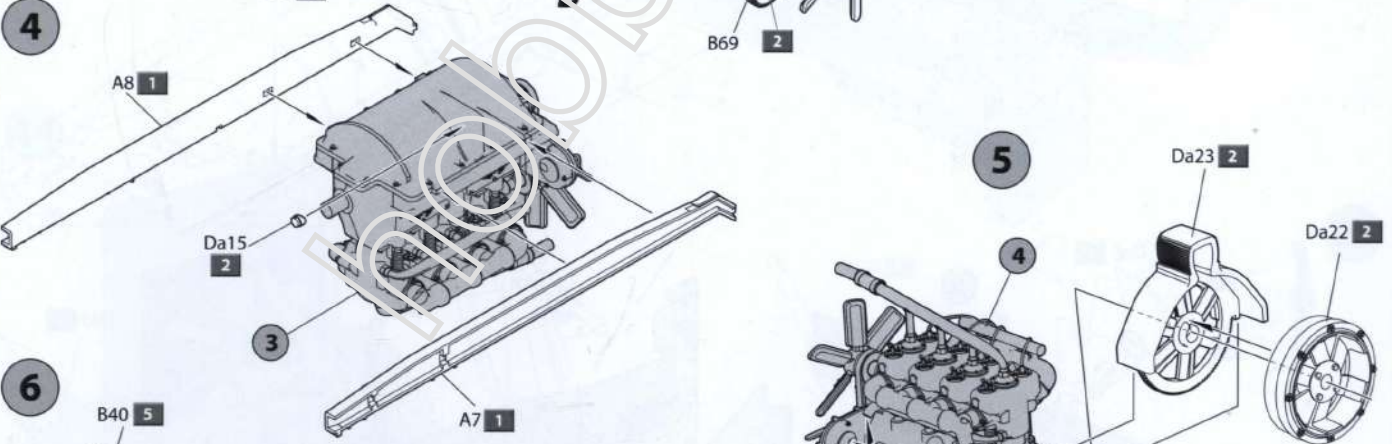
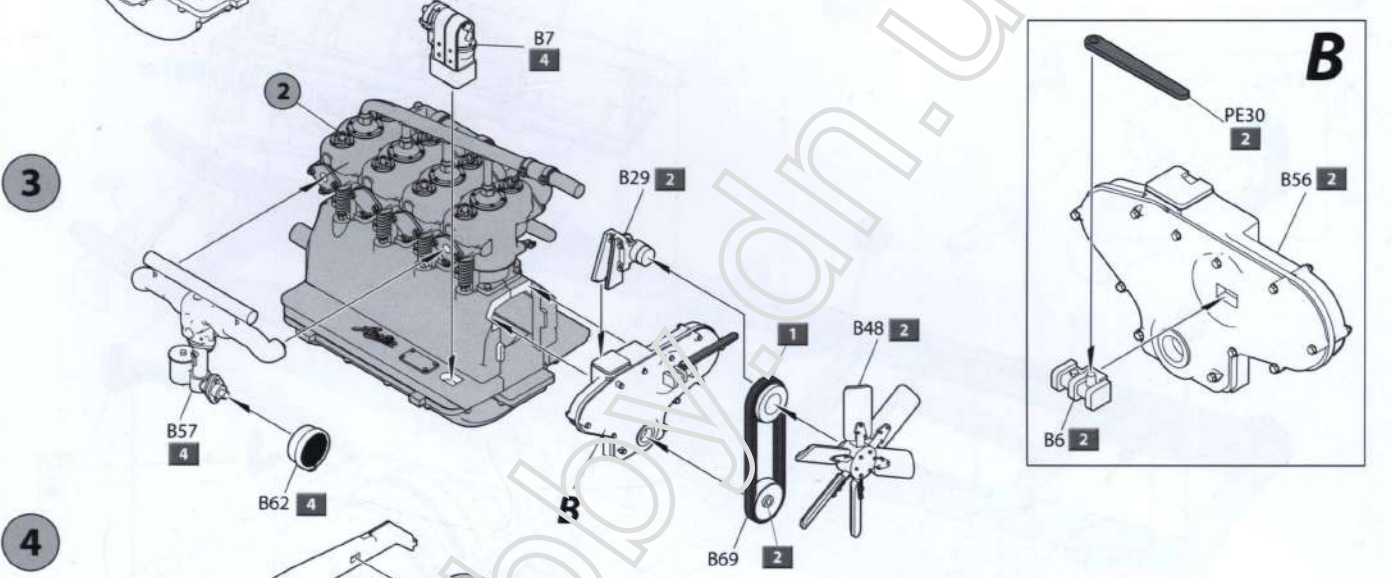
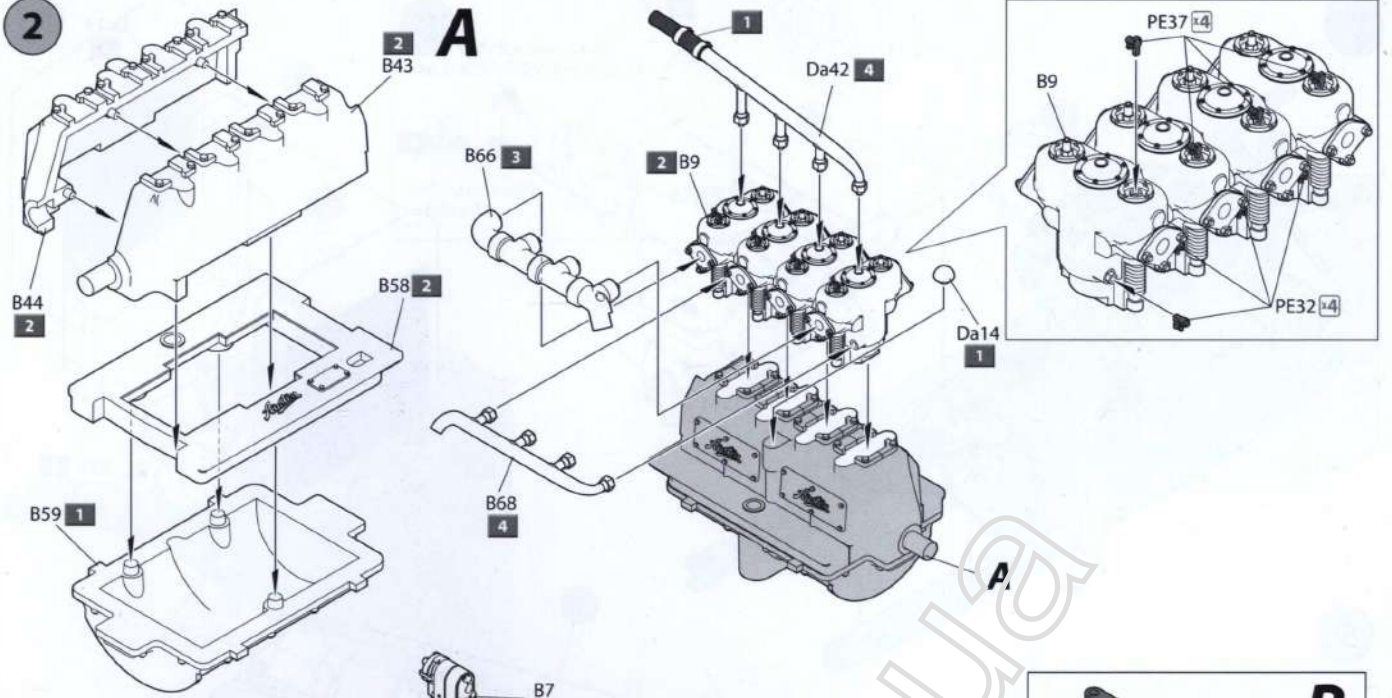
Ff x2



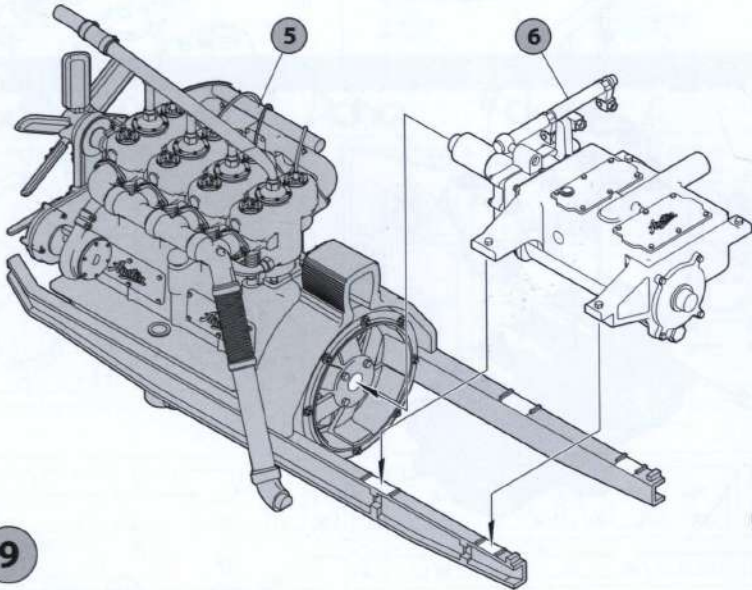
1



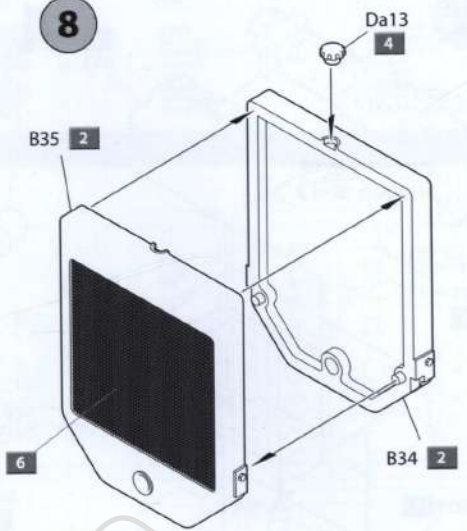
6



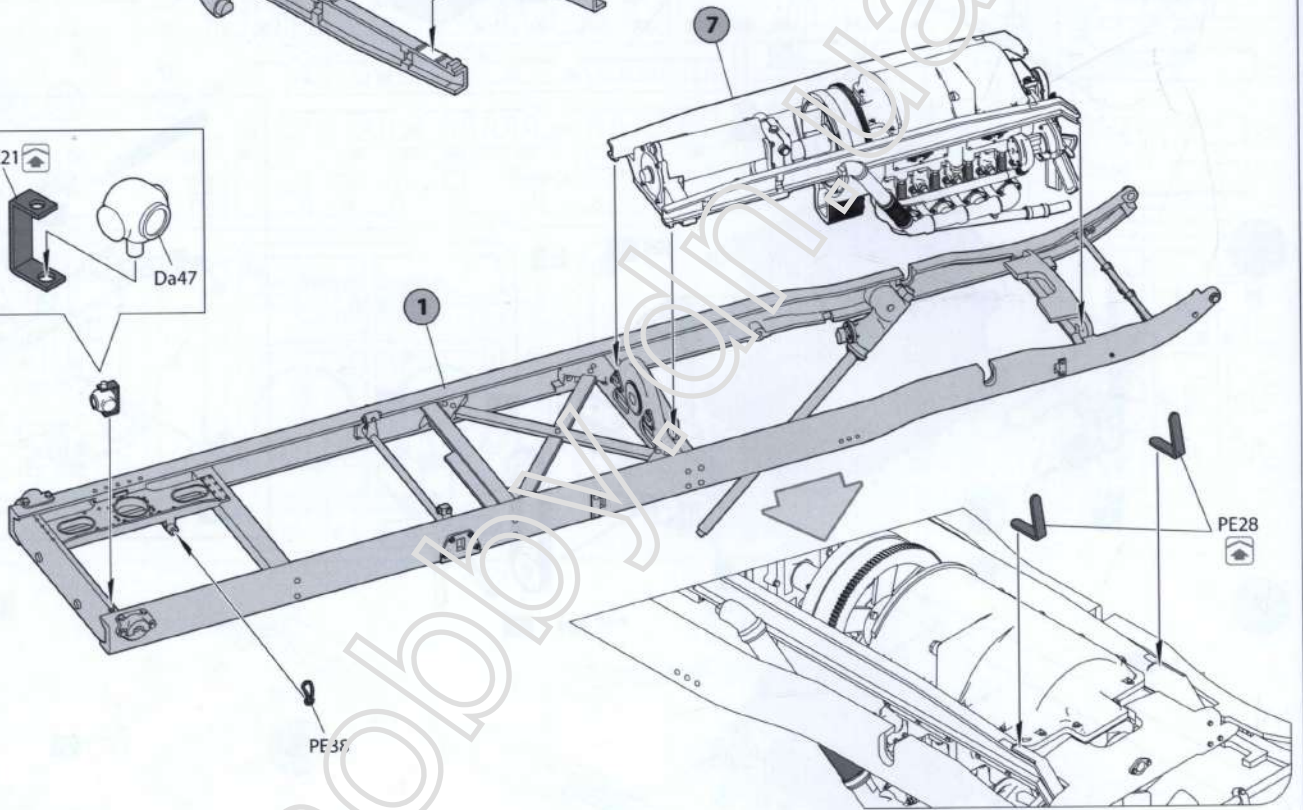
7



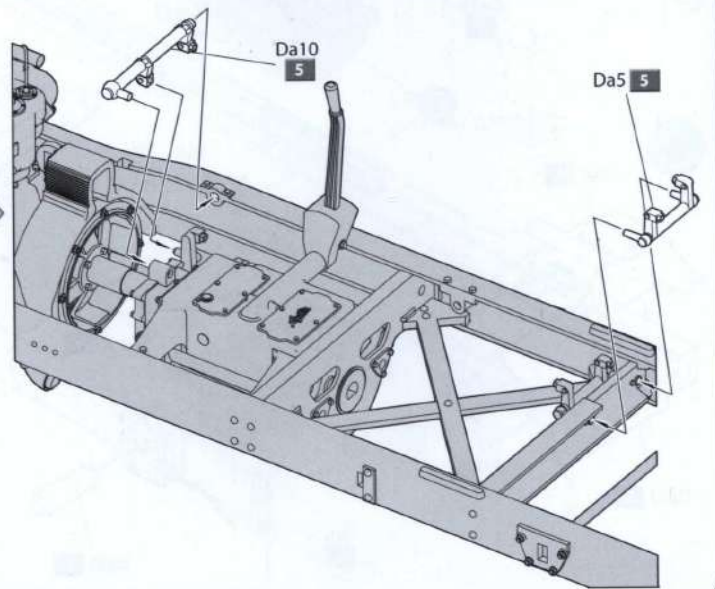
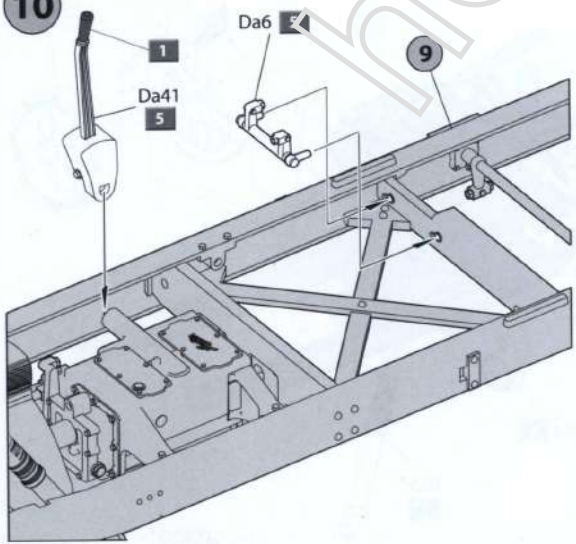
8



9



10



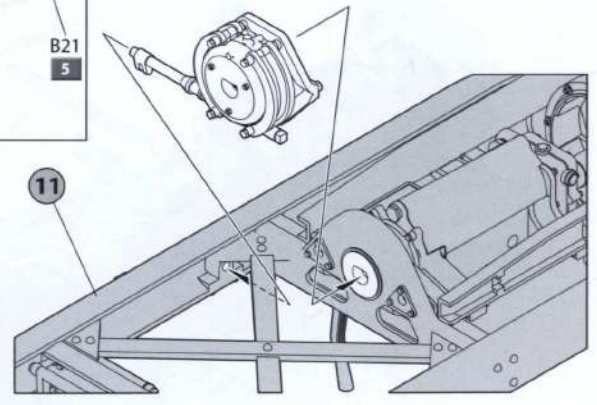
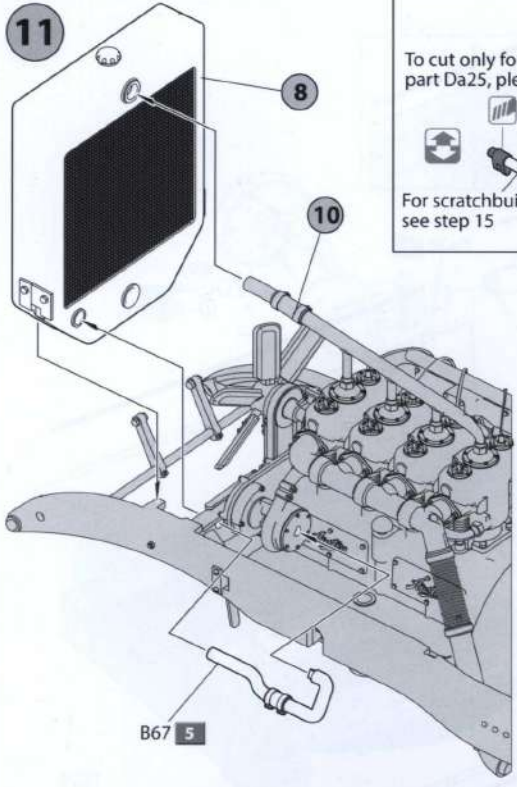
8

11

12

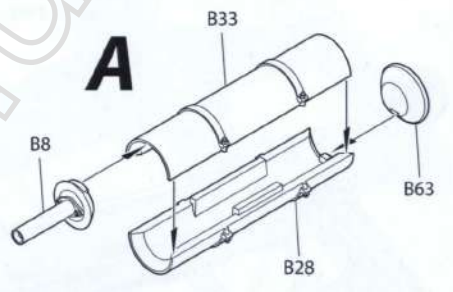
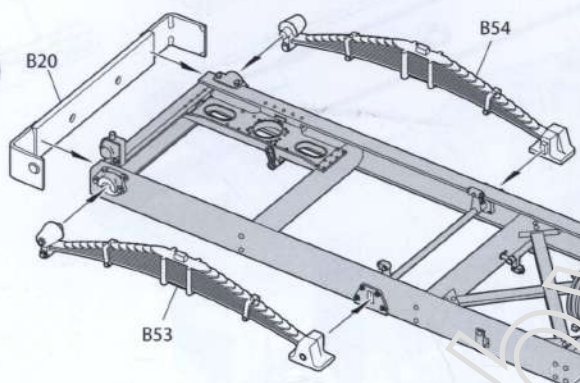
To cut only for use plastic part Da25, please see step 15

For scratchbuild see step 15



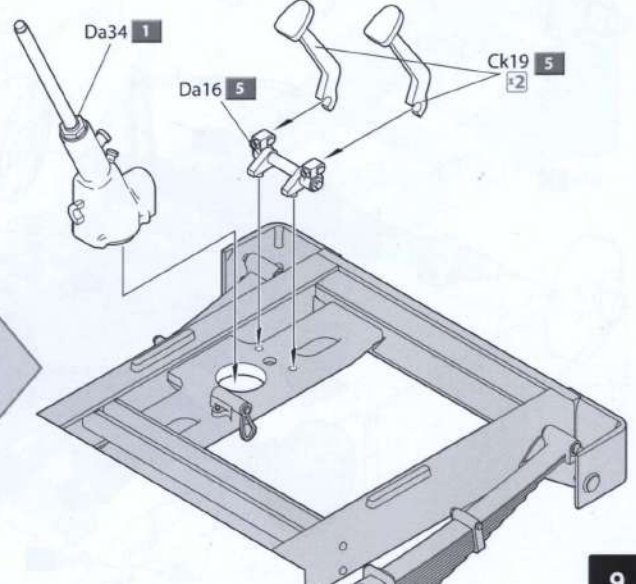
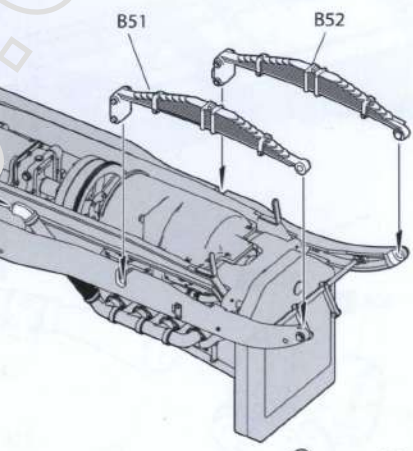
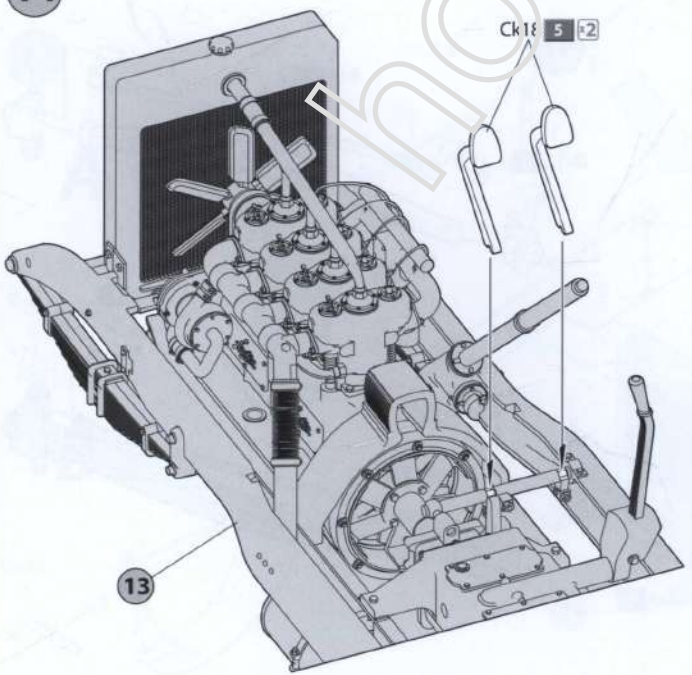
13

A



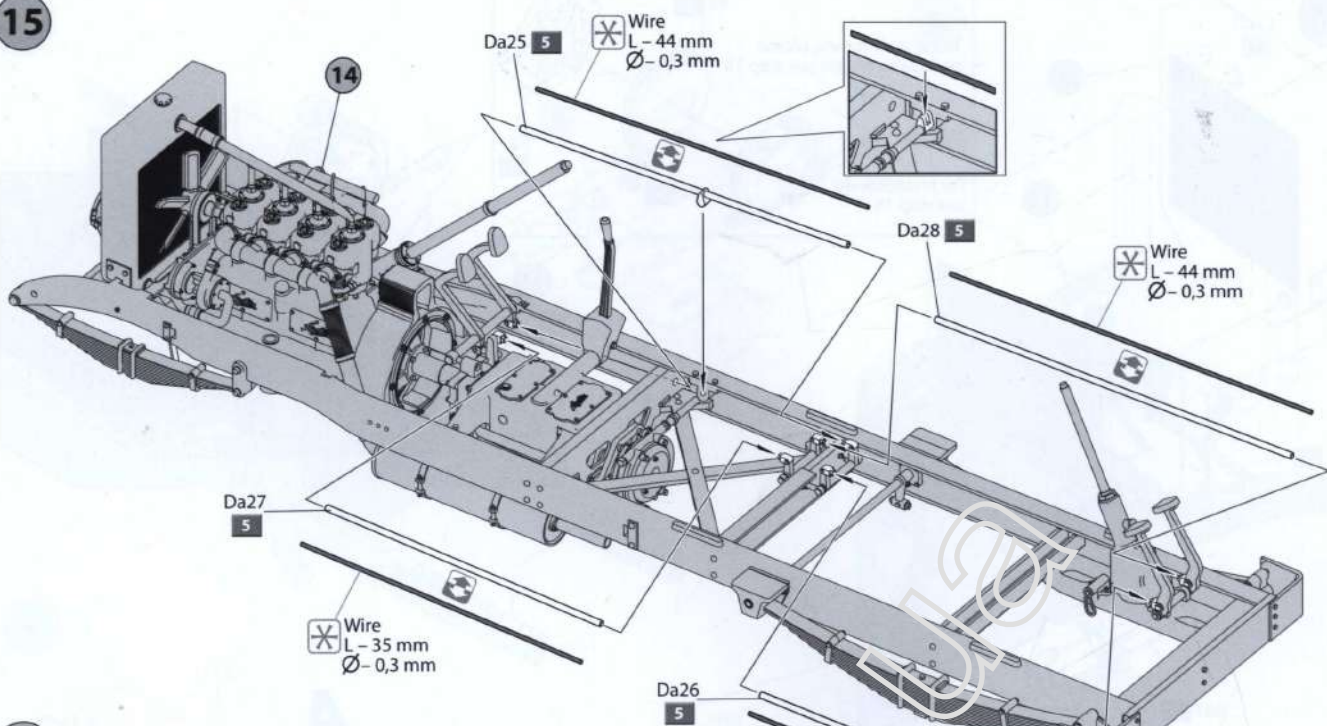
14

A

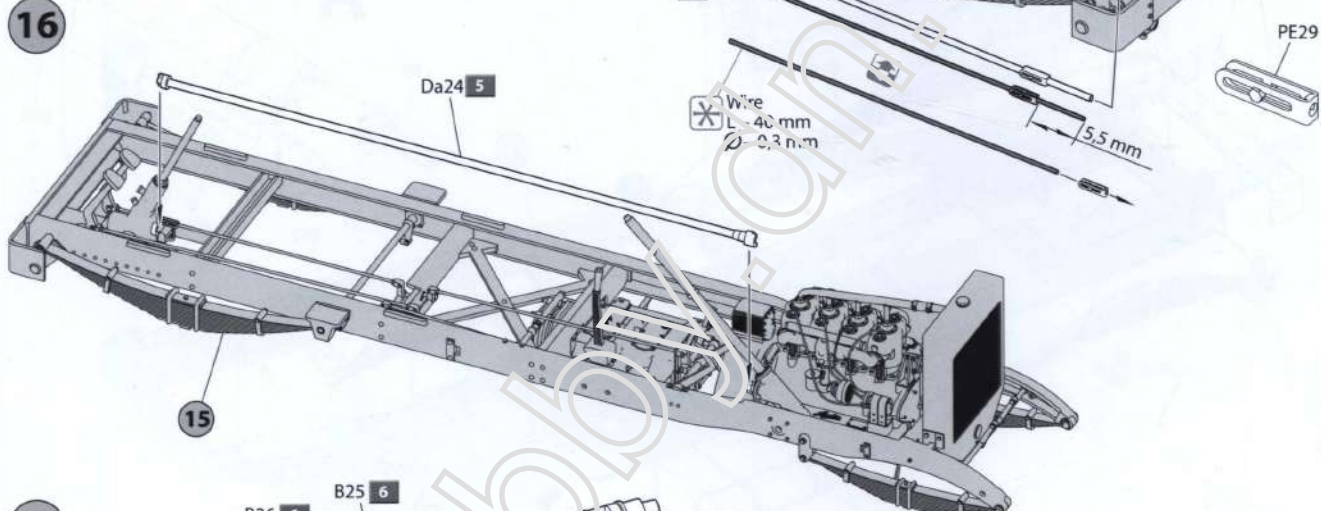


9

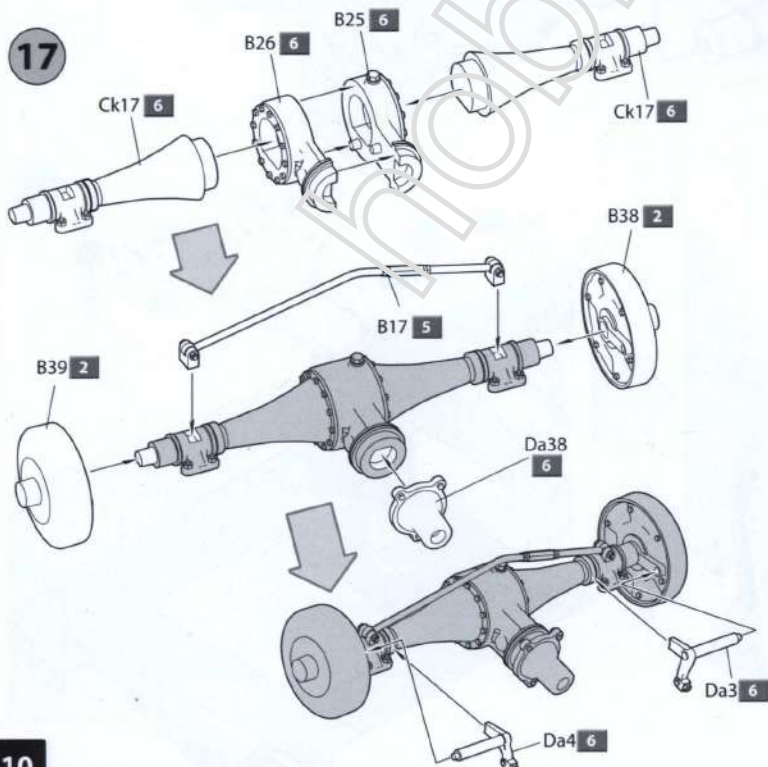
15



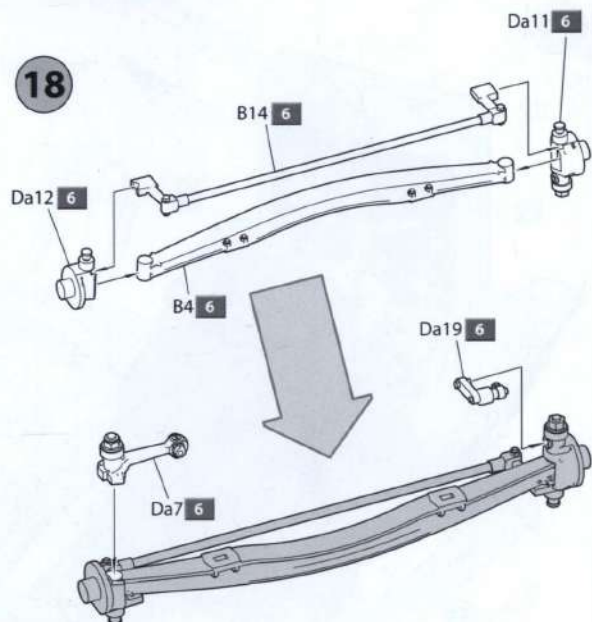
16



17

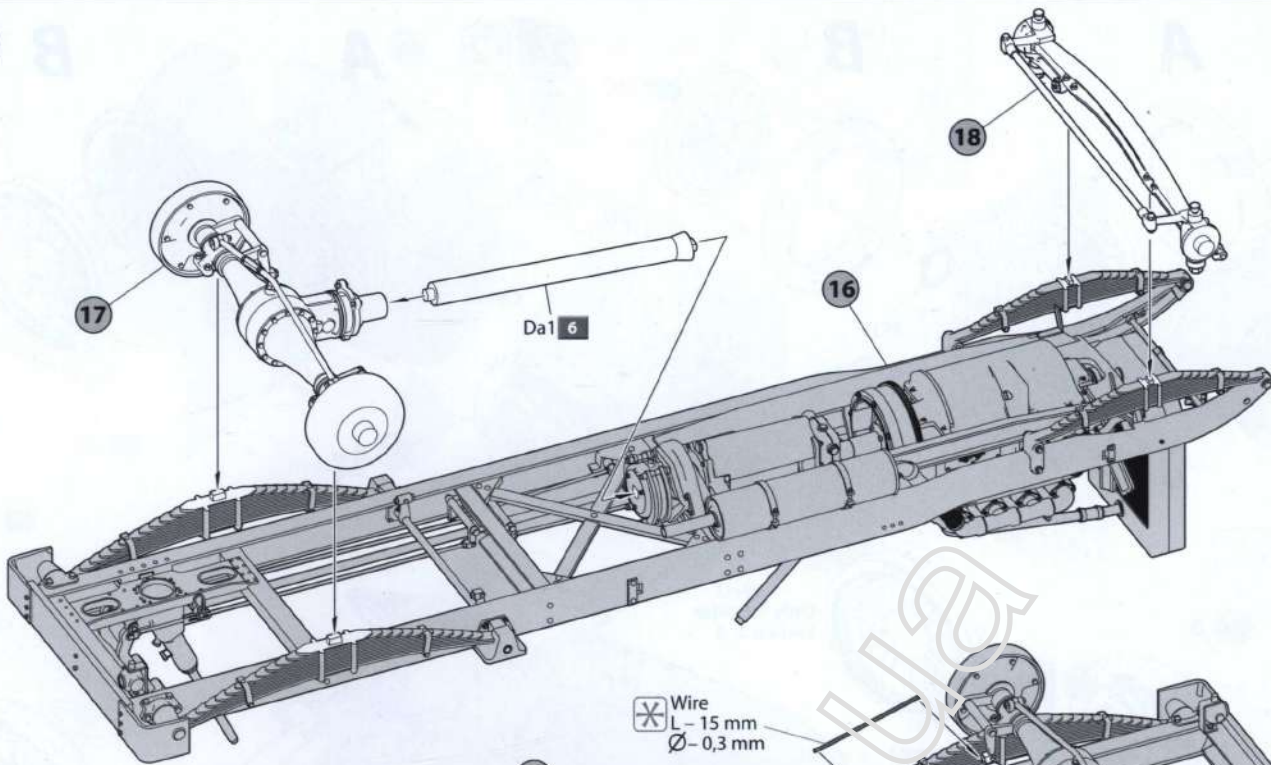


18

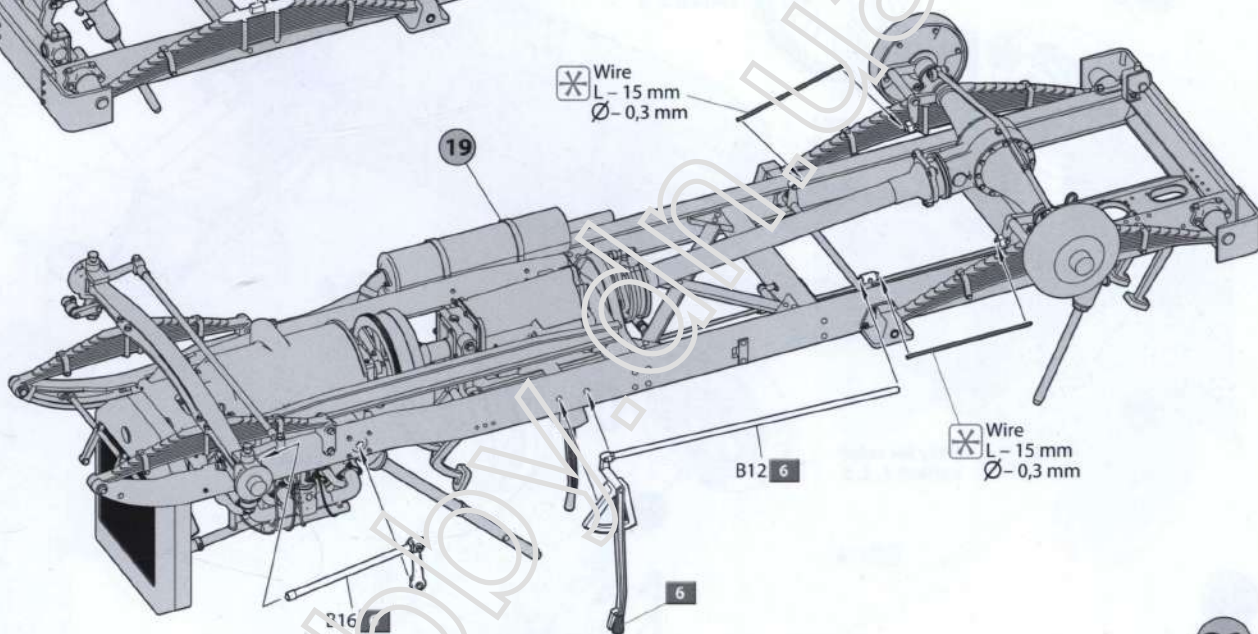


10

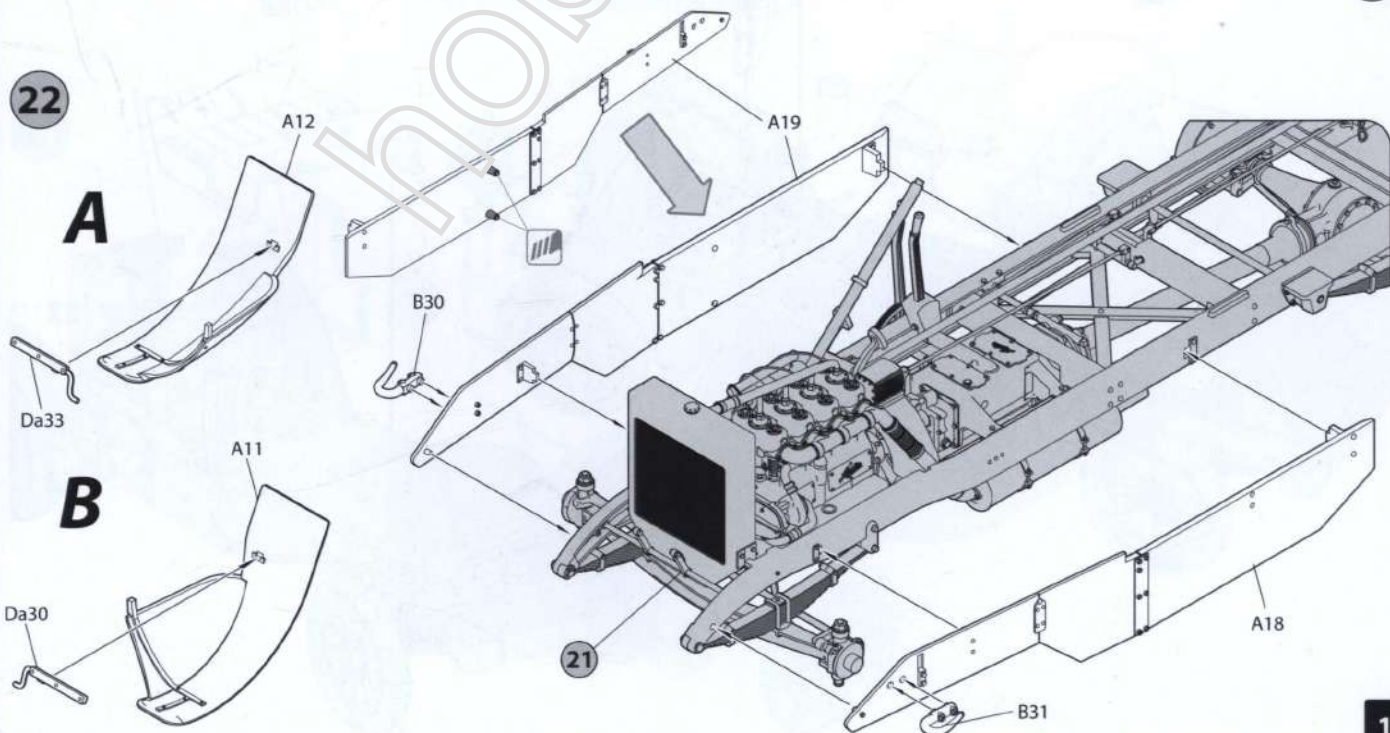
19

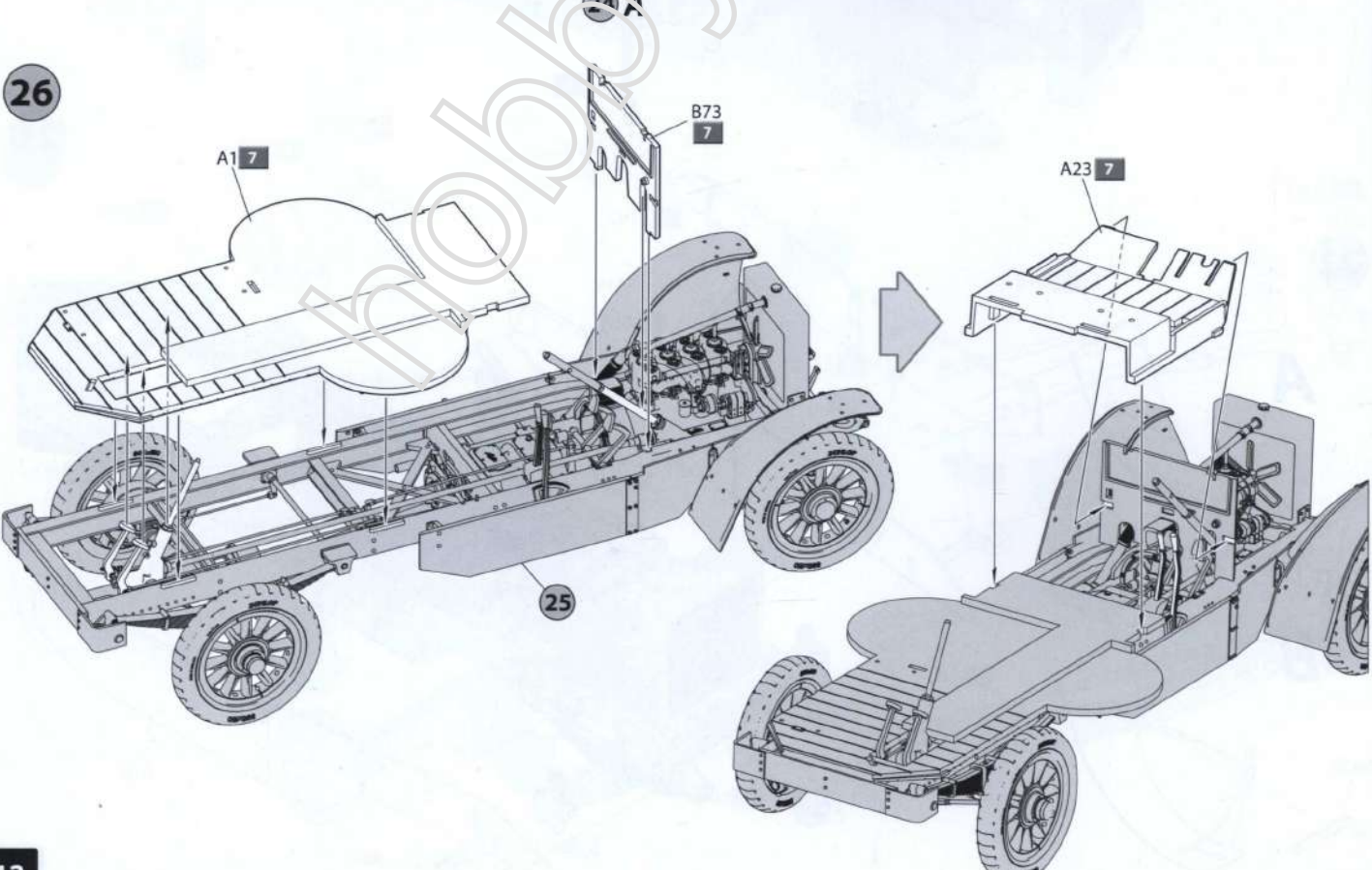
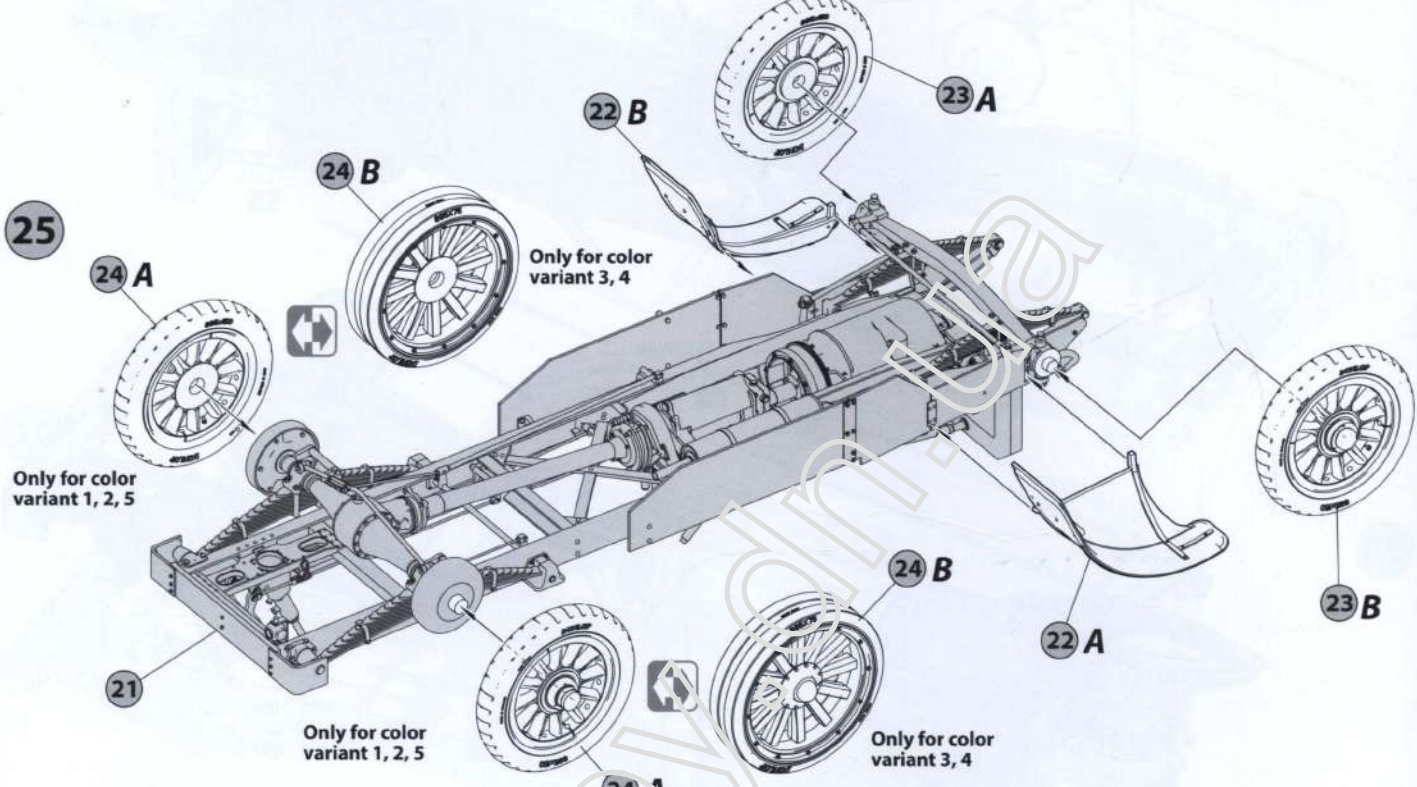
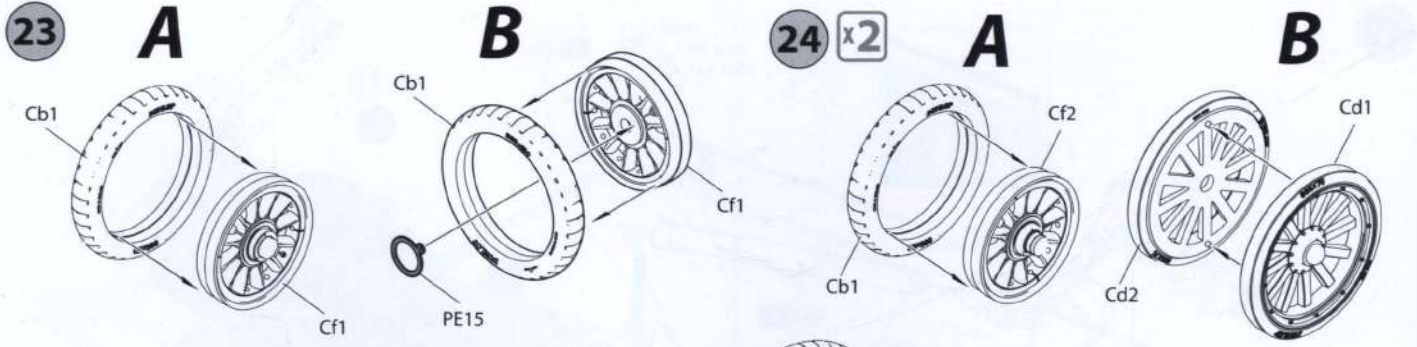


20

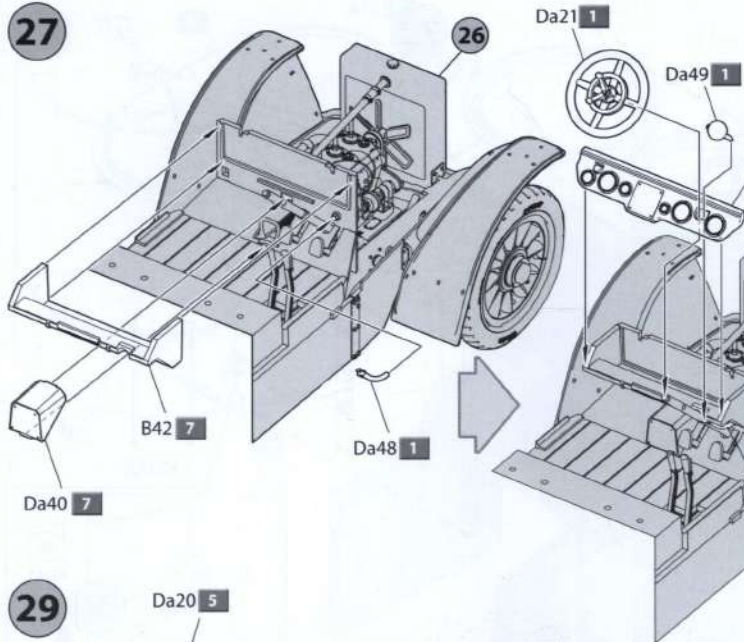


22

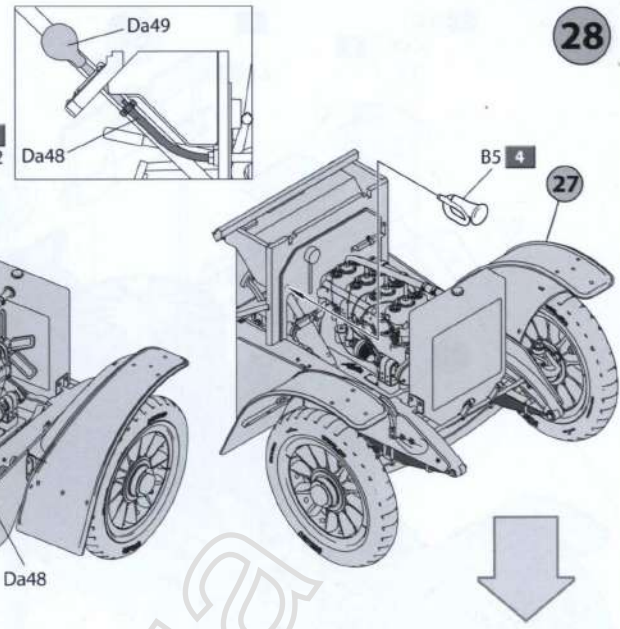




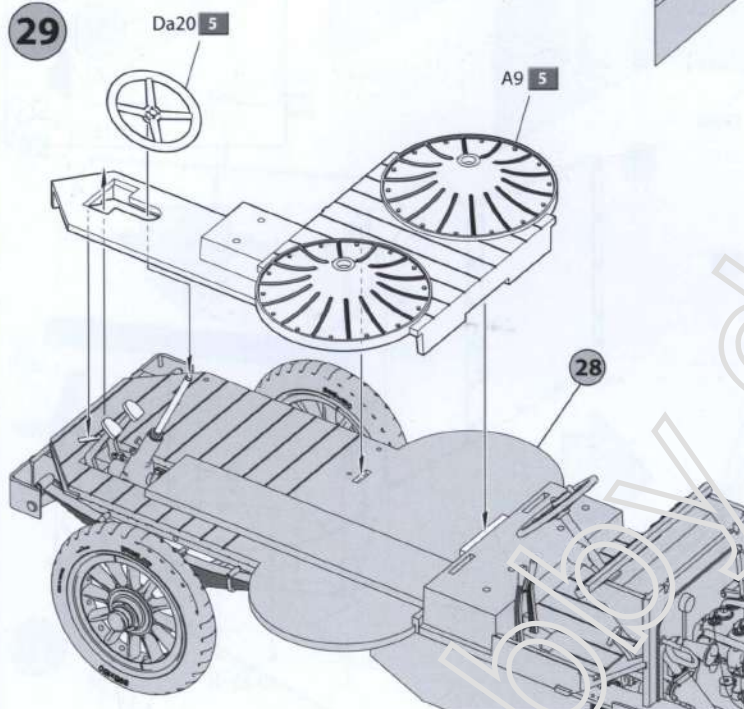
27



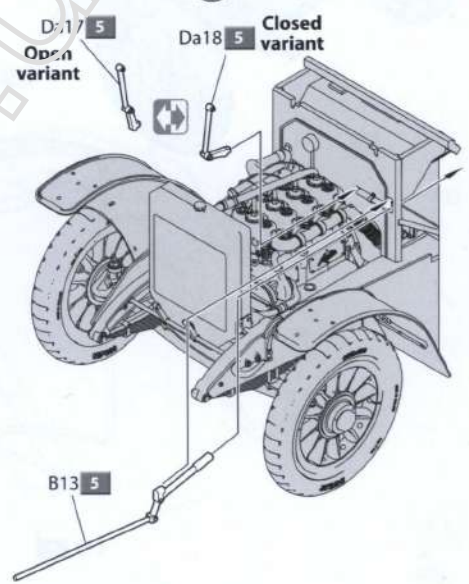
28



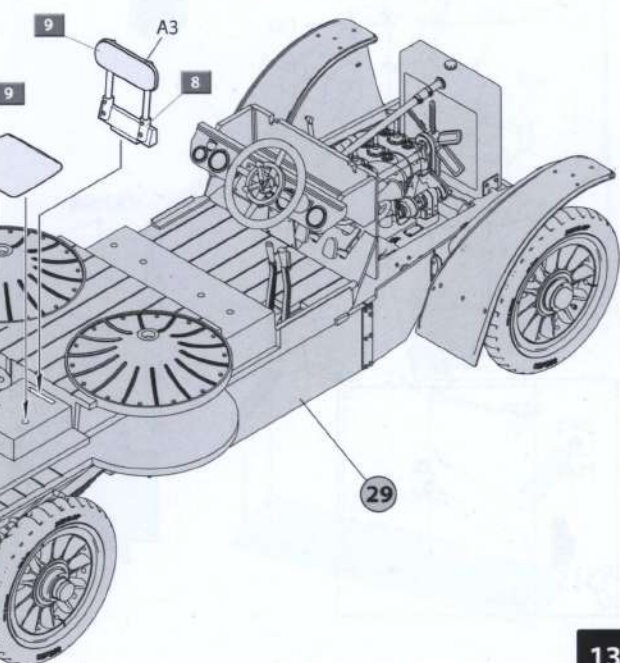
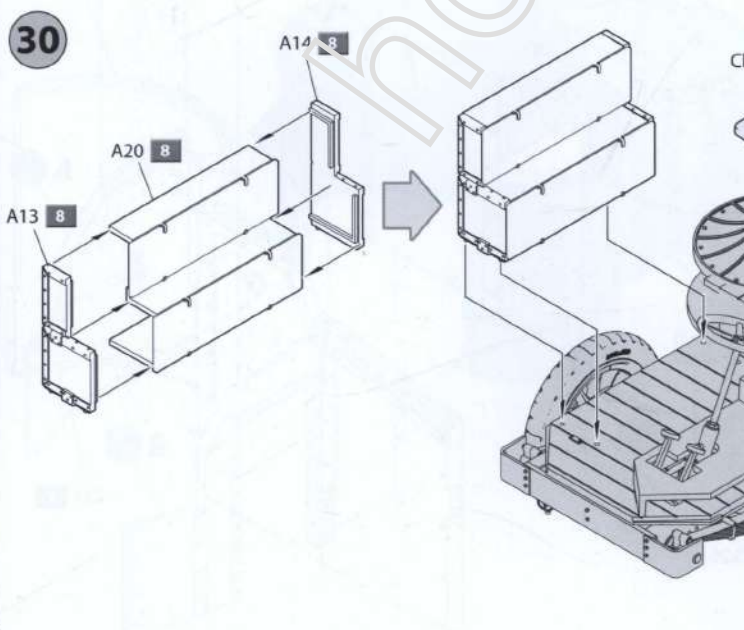
29



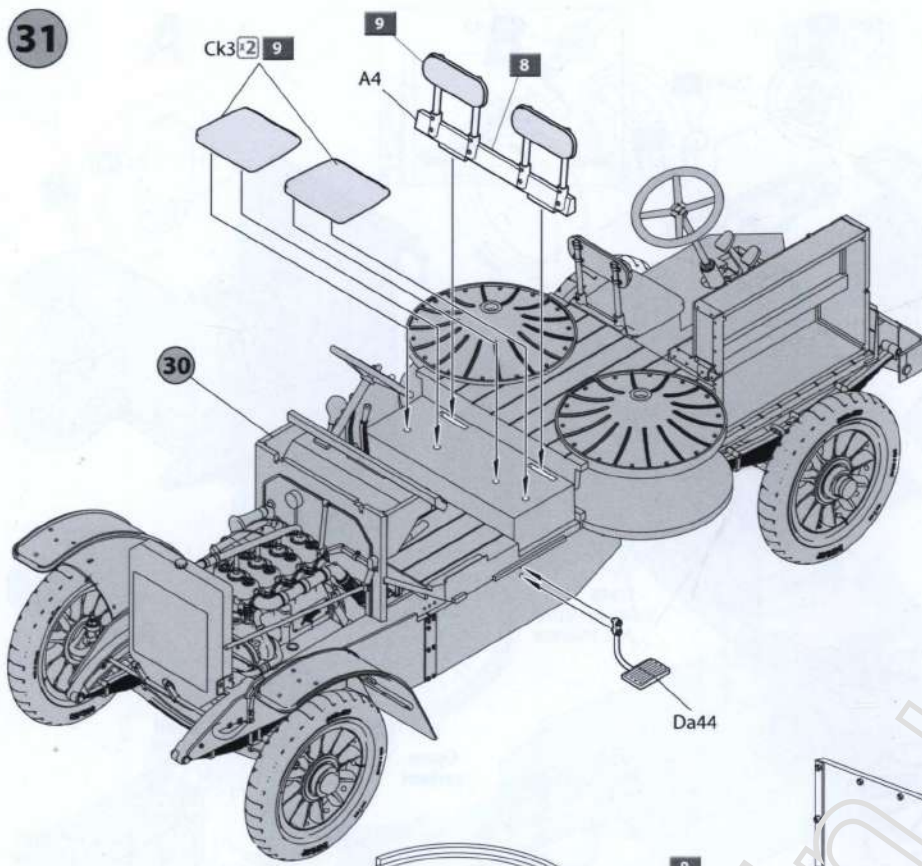
See step 56



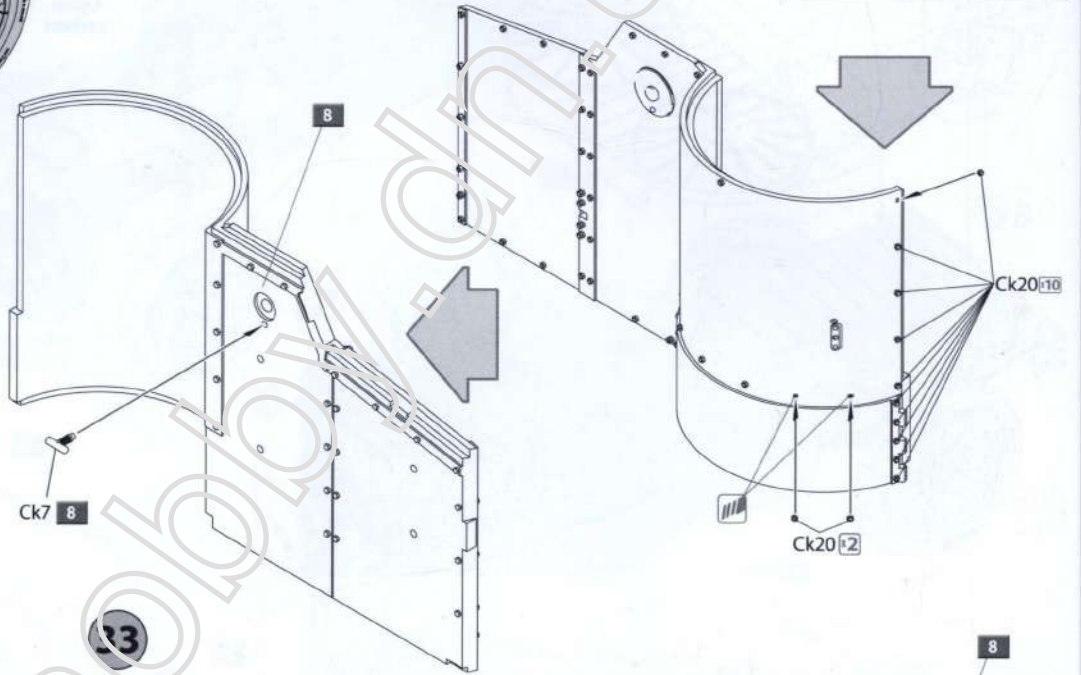
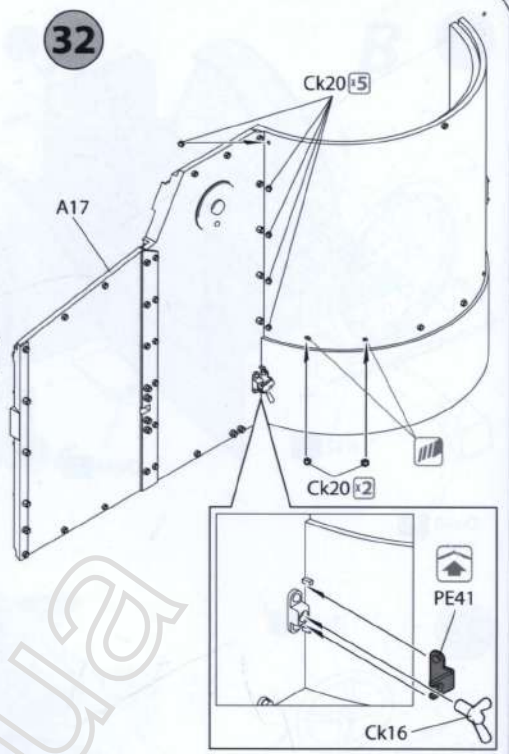
30



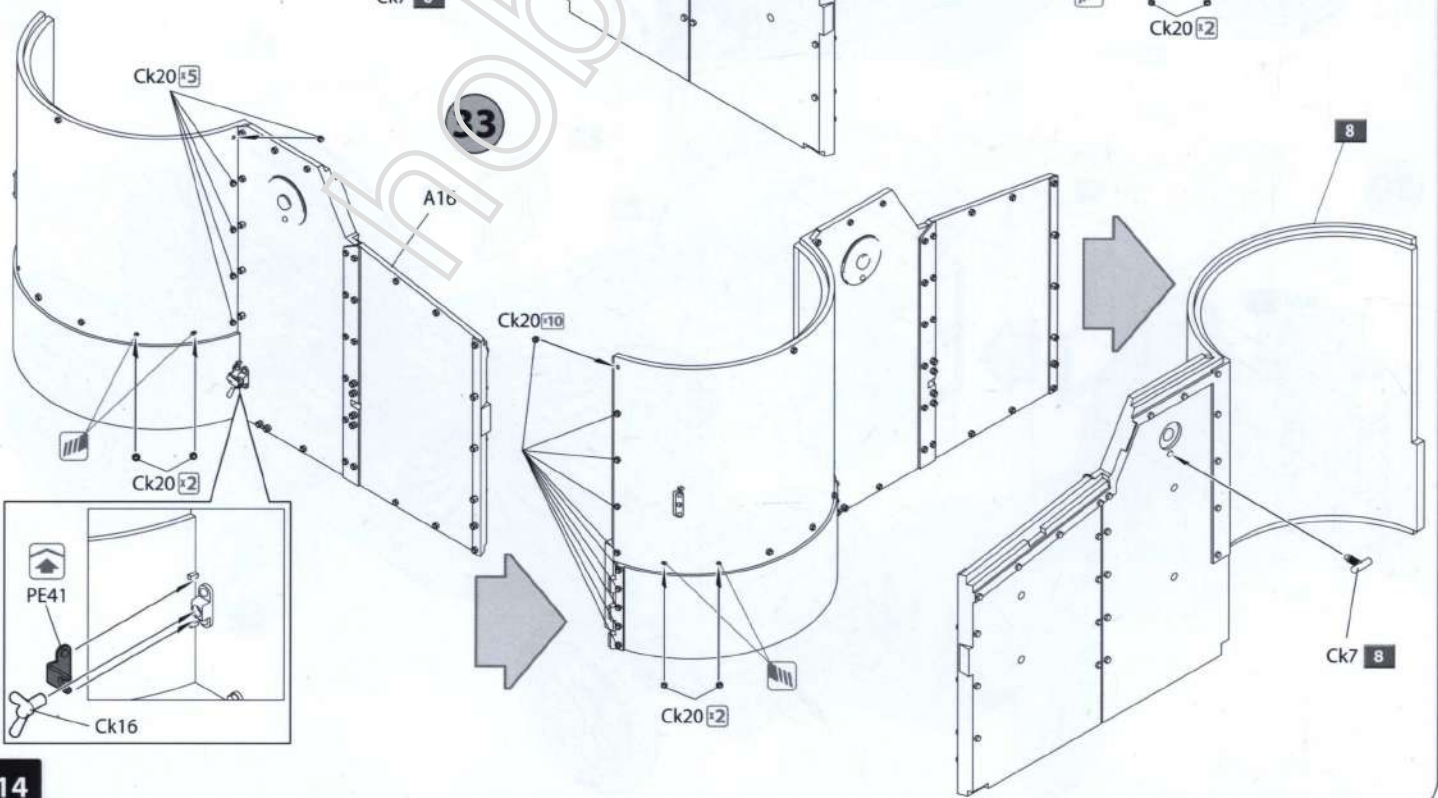
31

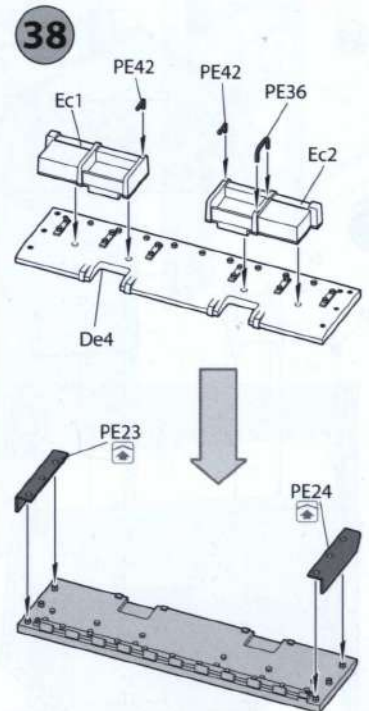
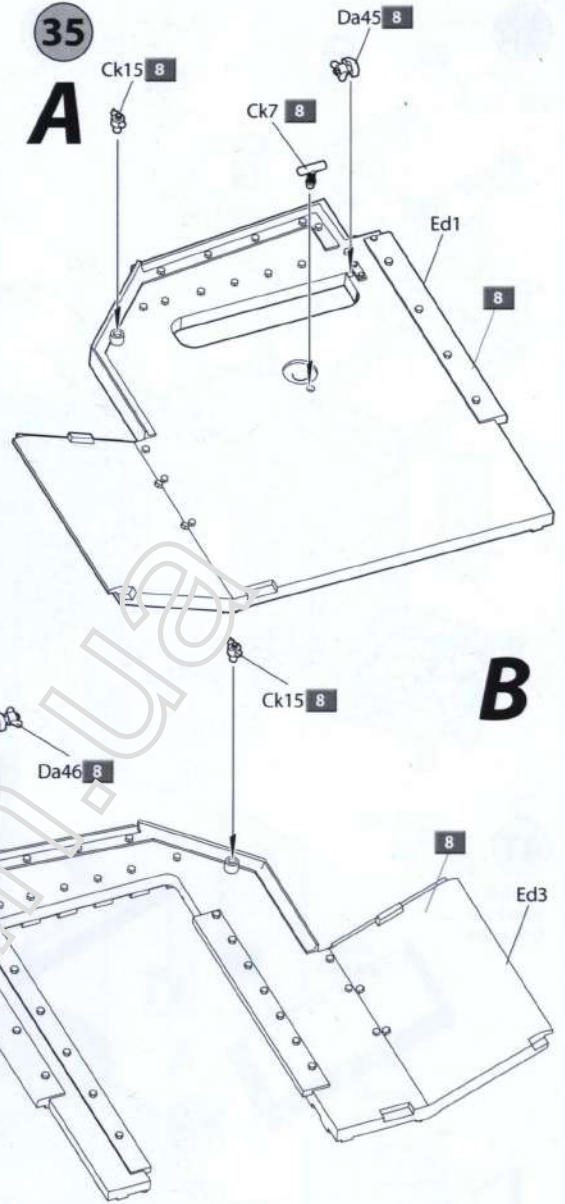
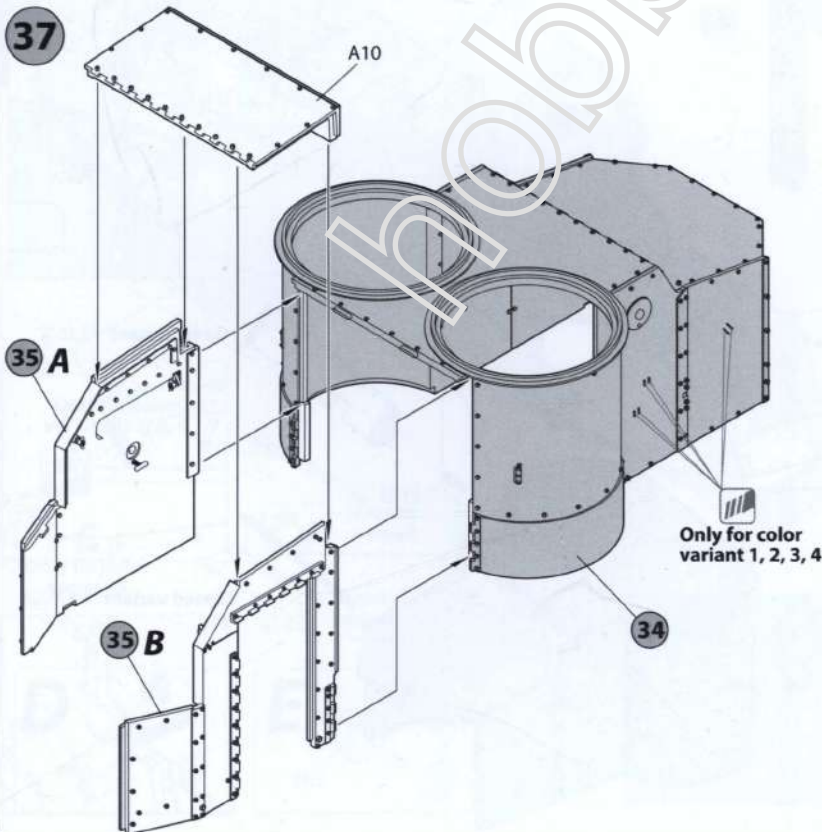
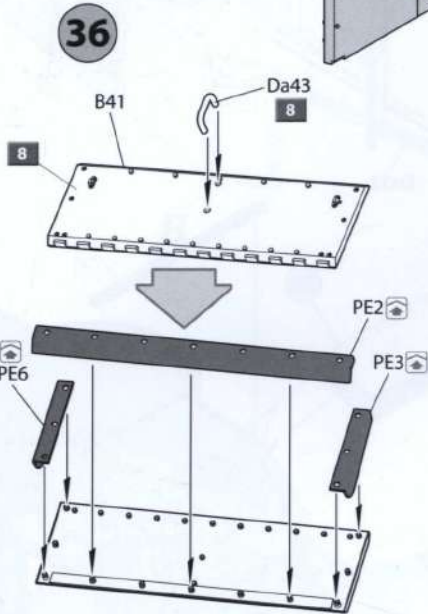
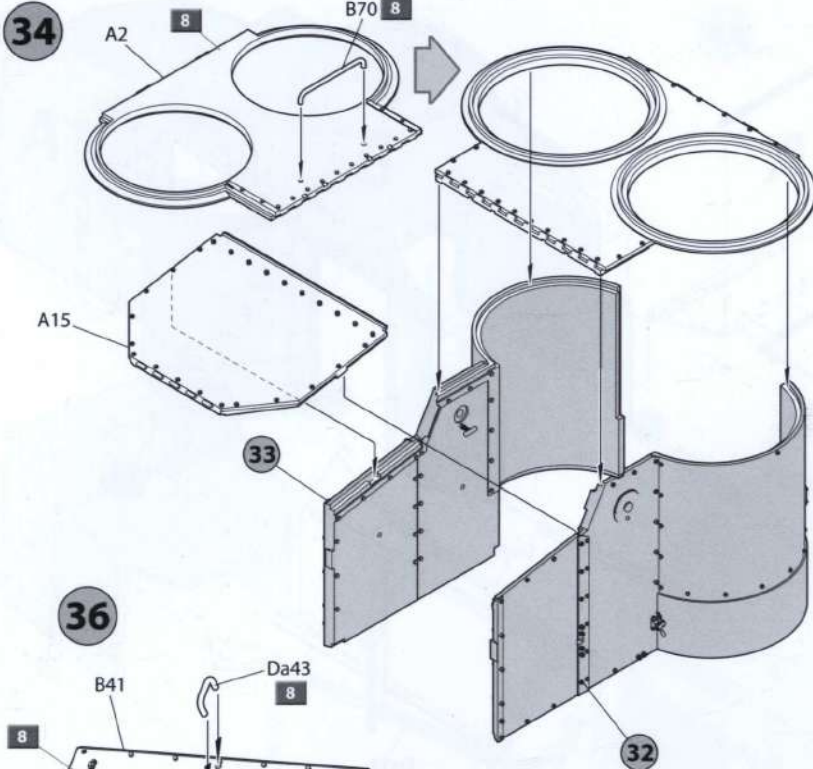


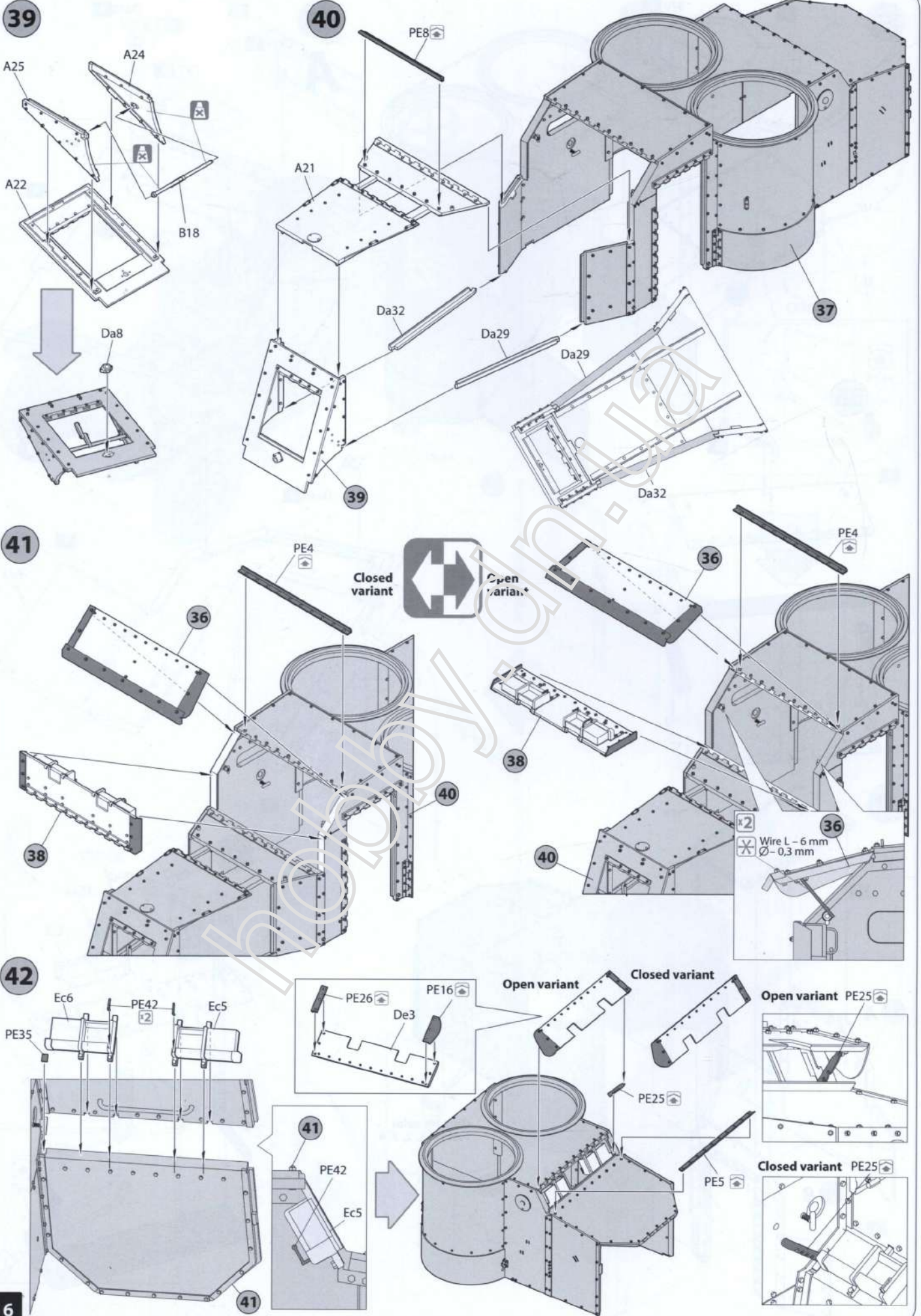
32



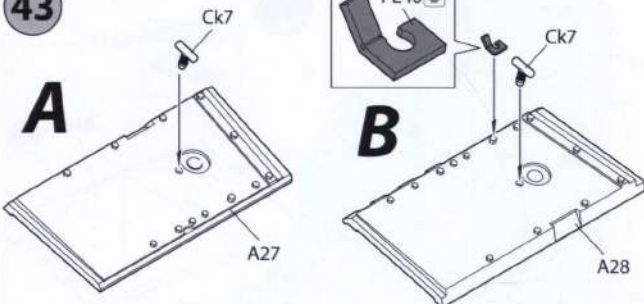
33



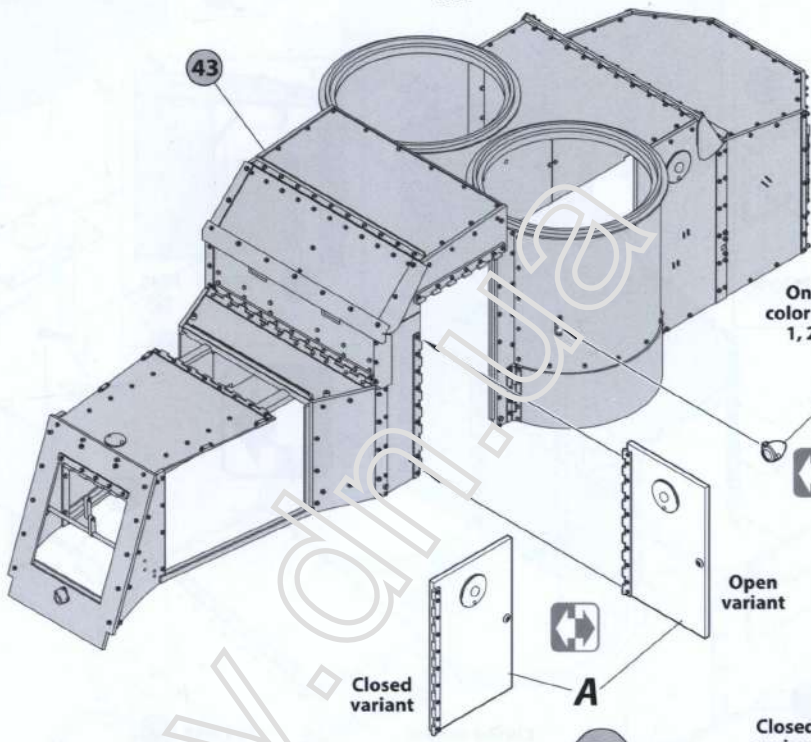
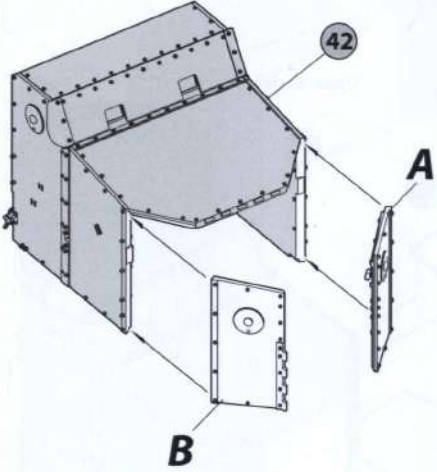
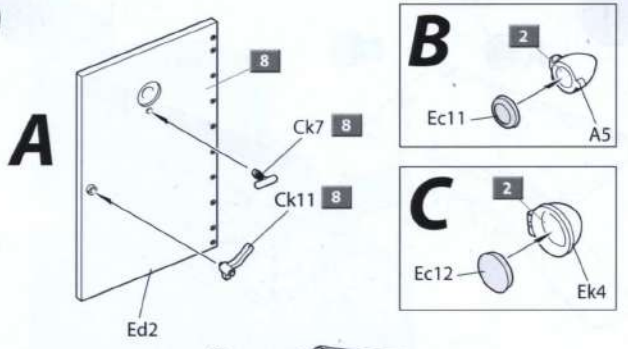




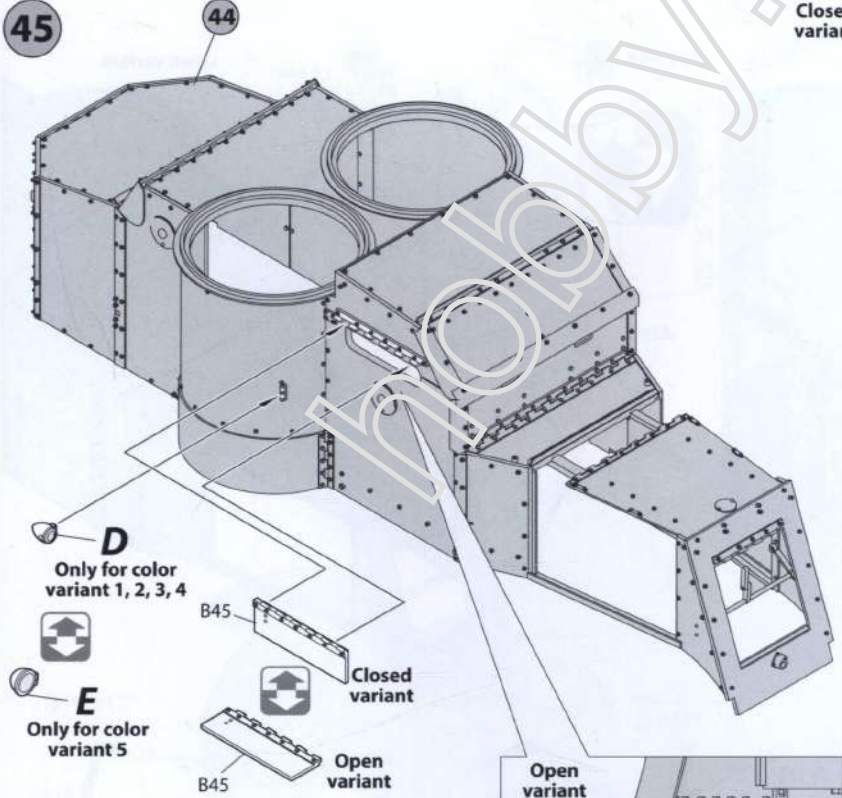
43



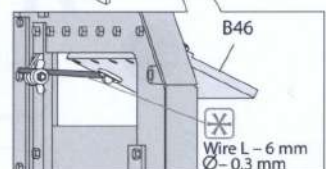
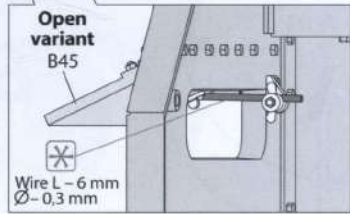
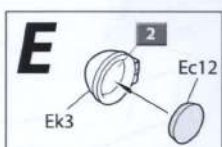
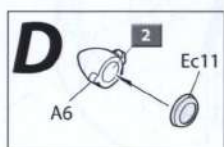
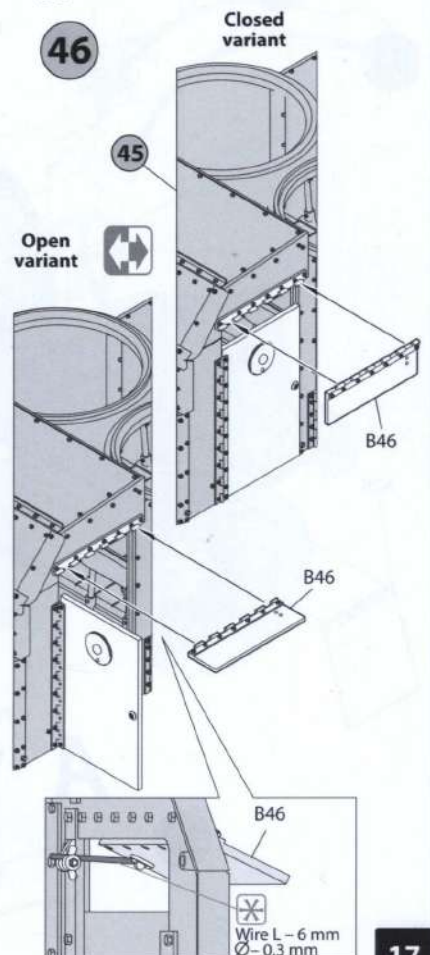
44



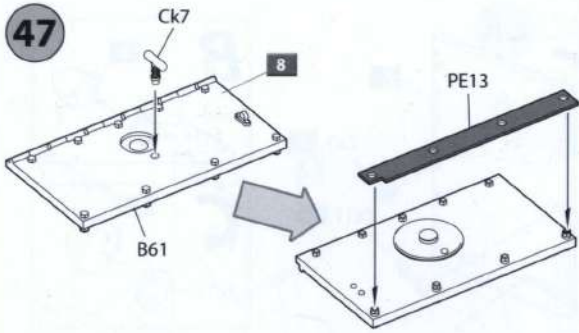
45



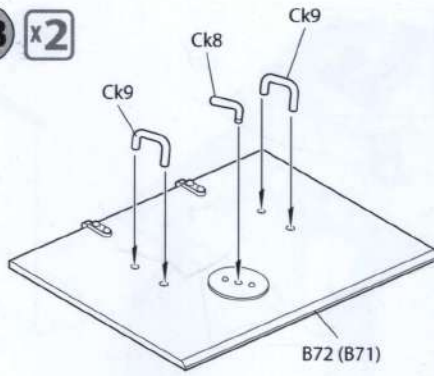
46



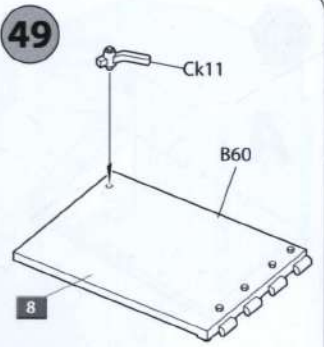
47



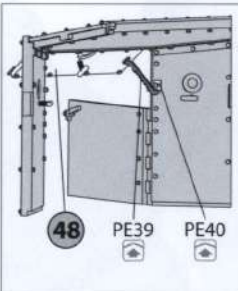
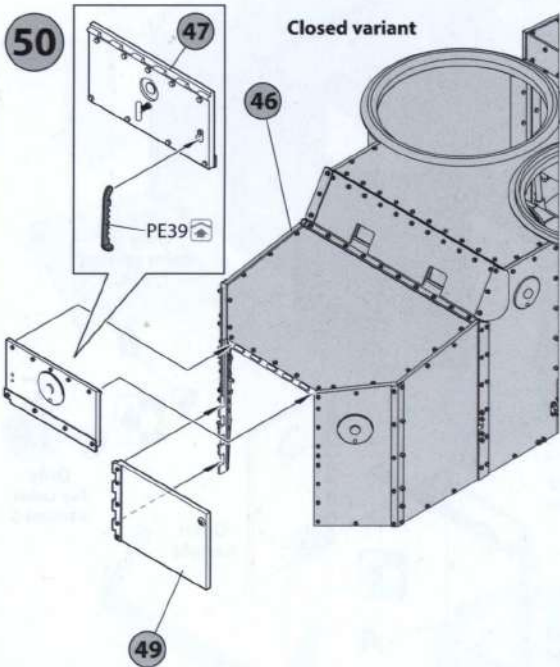
48 x2



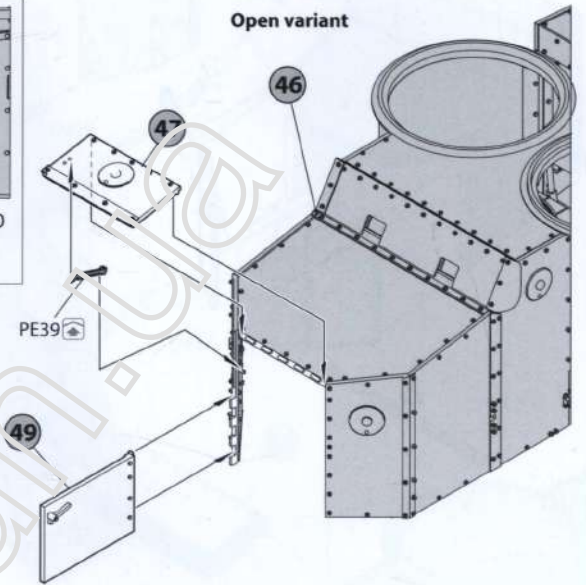
49



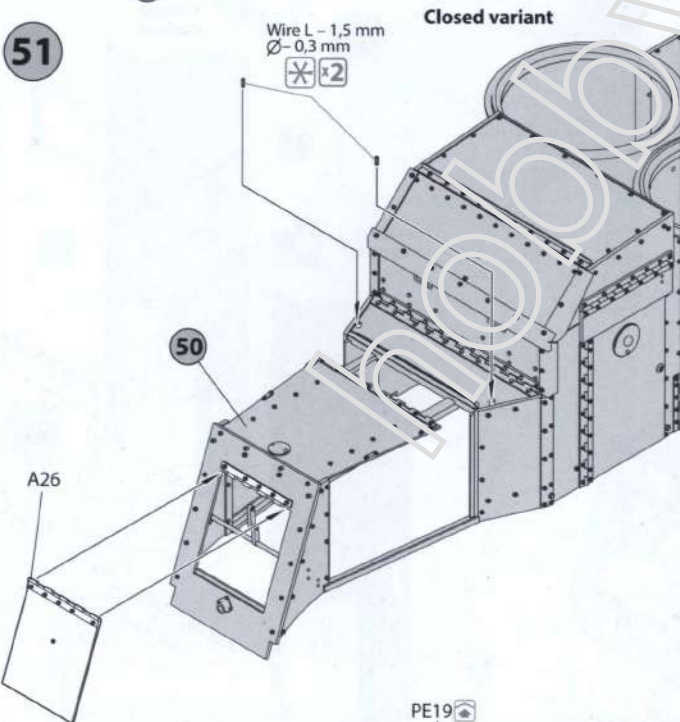
50



Open variant



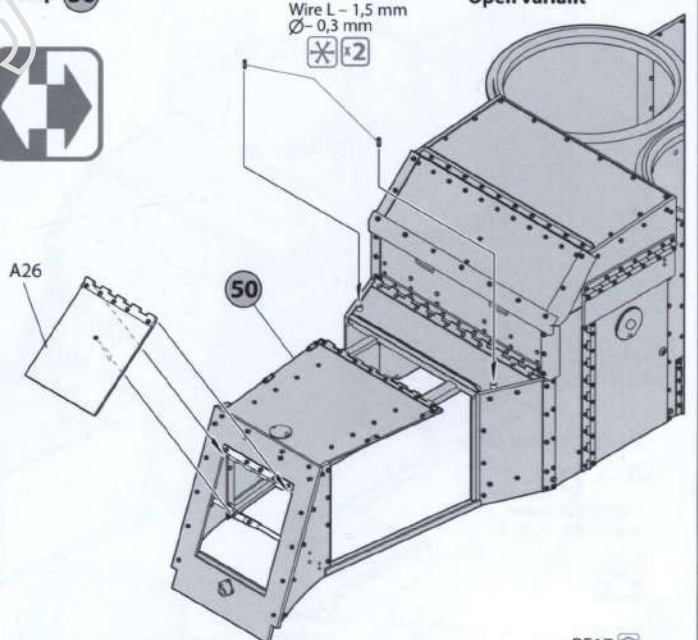
51



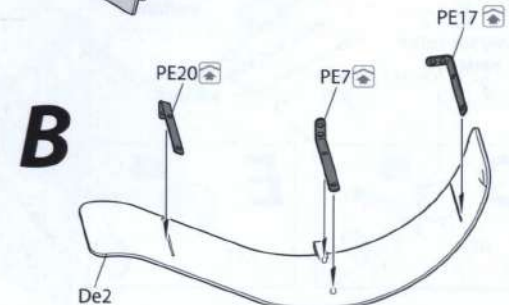
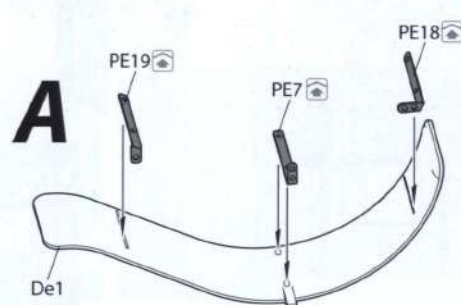
See step 56



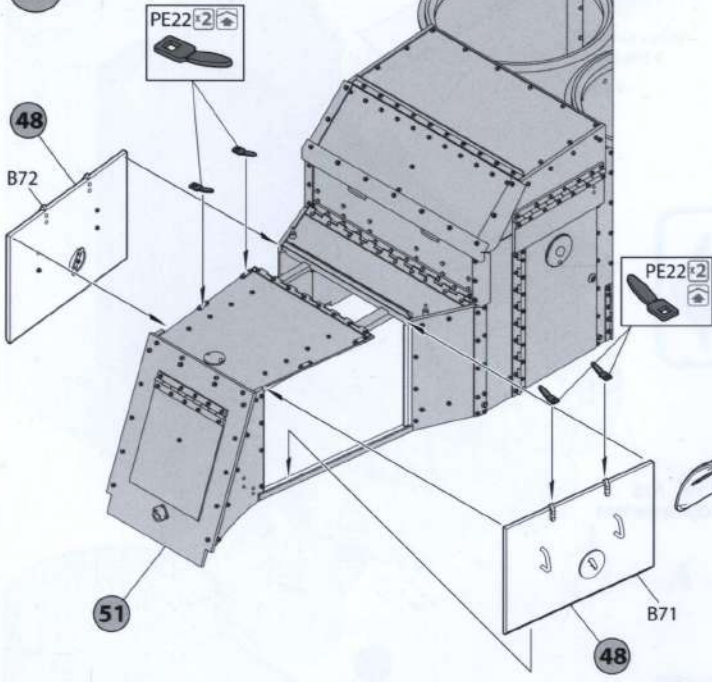
Open variant



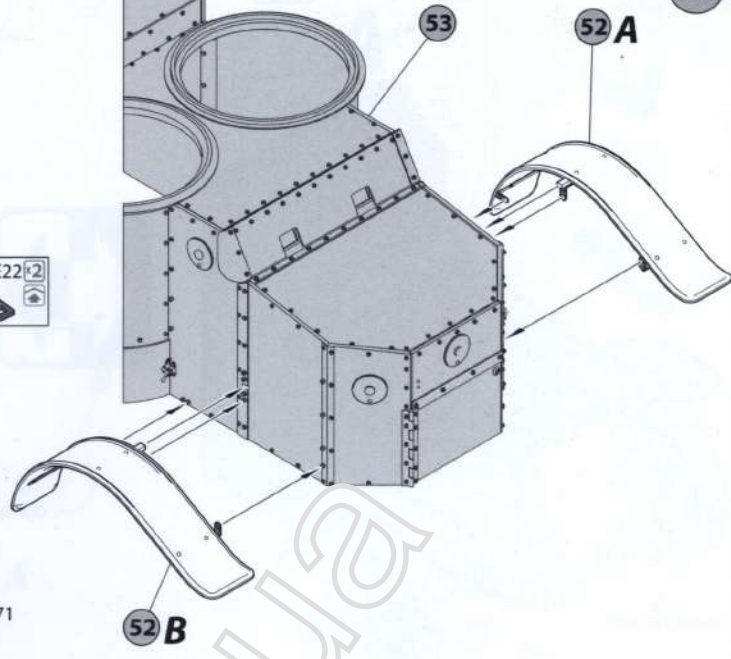
52



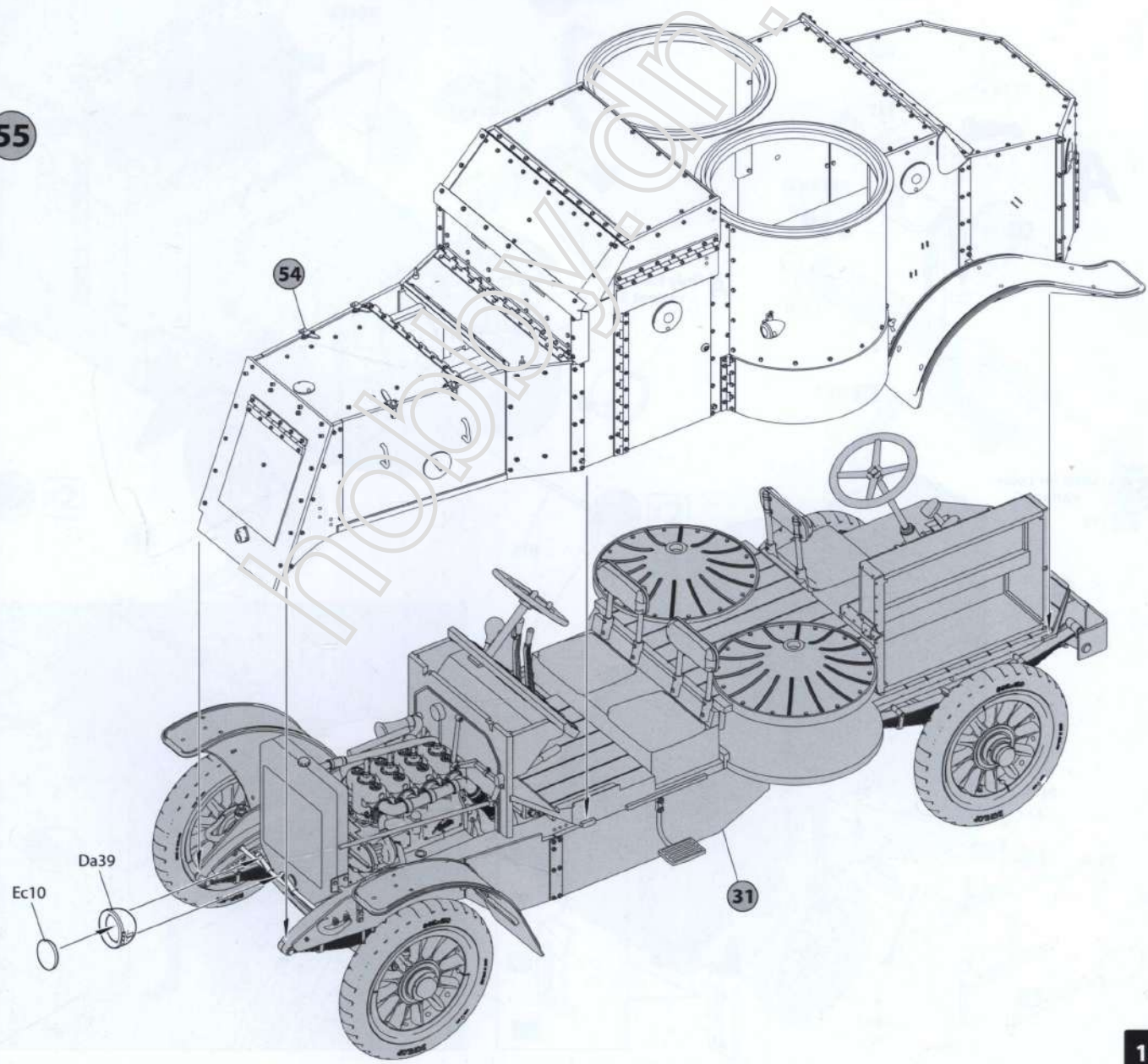
53



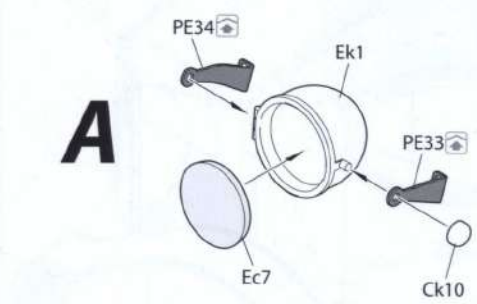
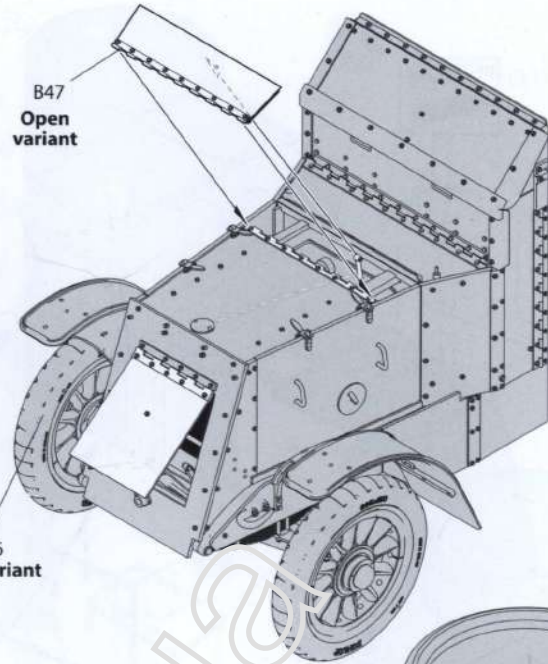
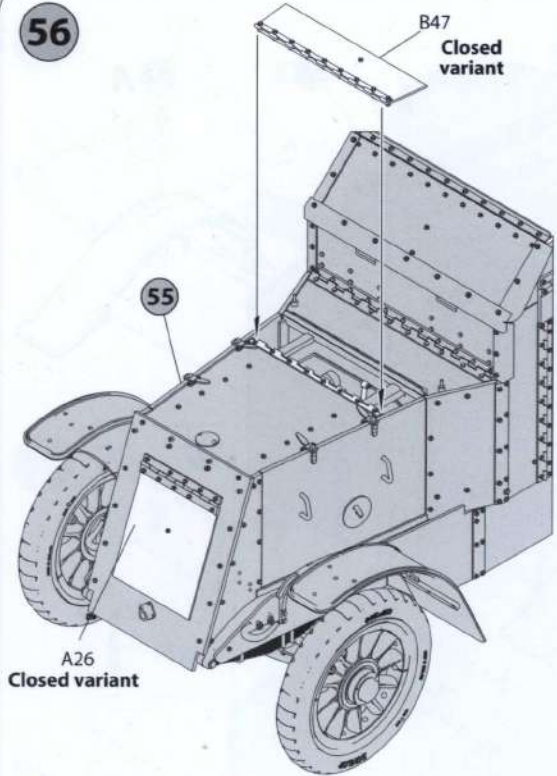
54



55

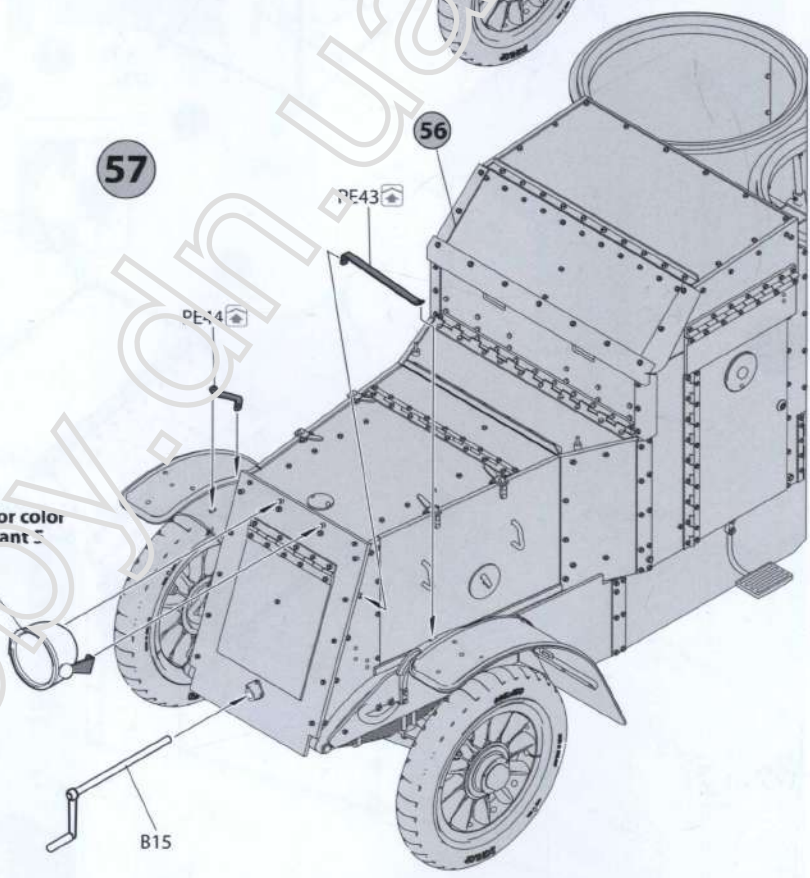


56

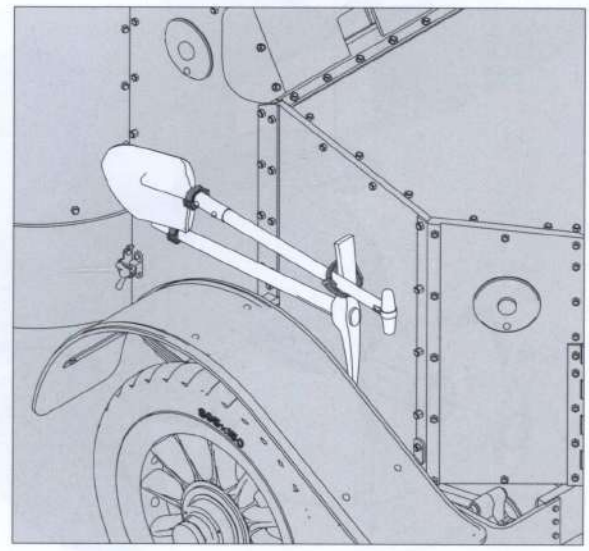
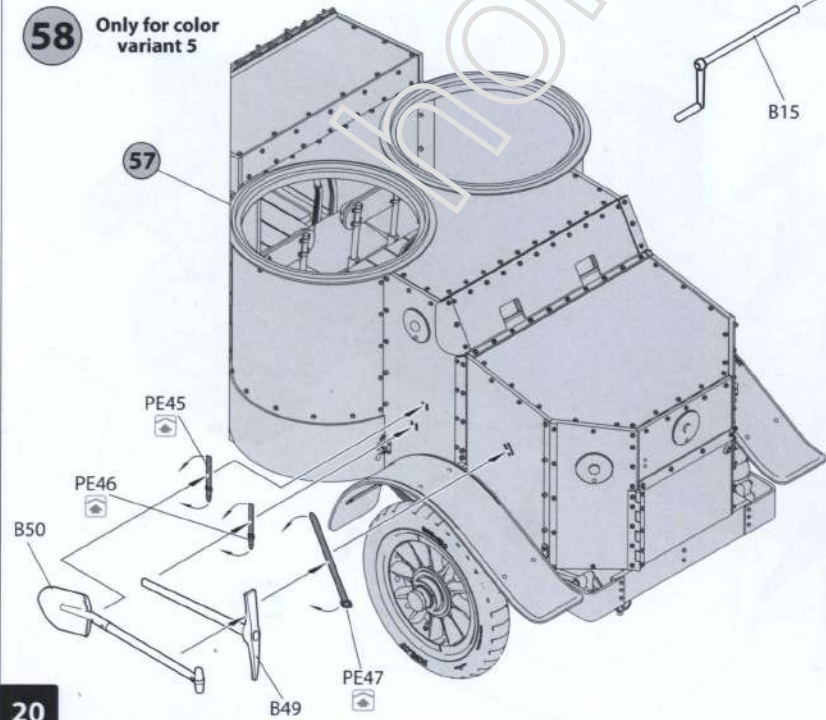


A Only for color variant 5

57

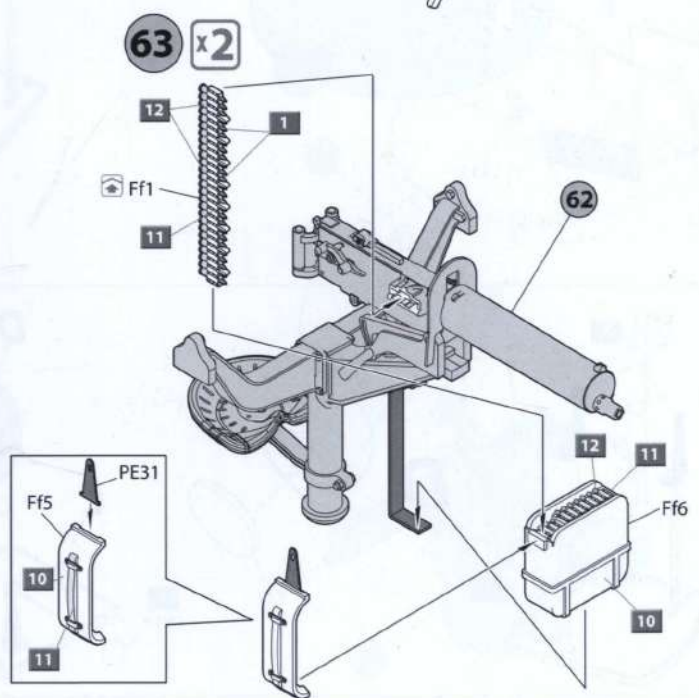
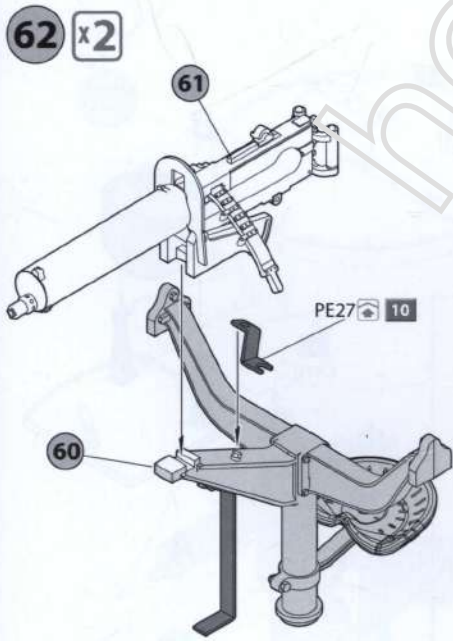
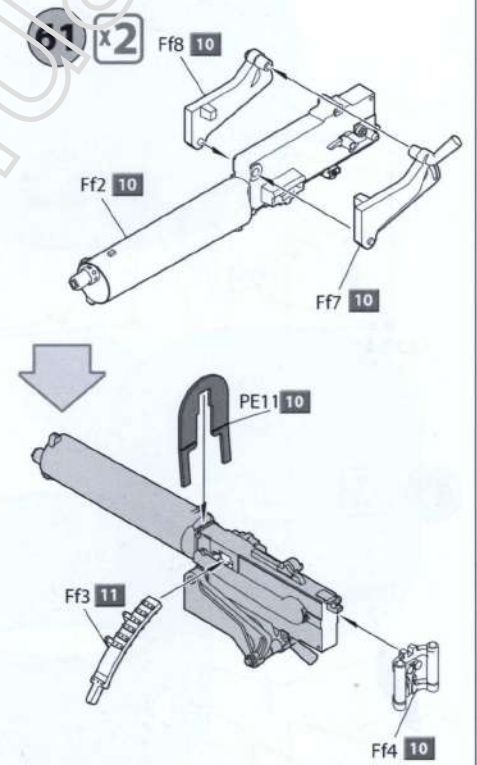
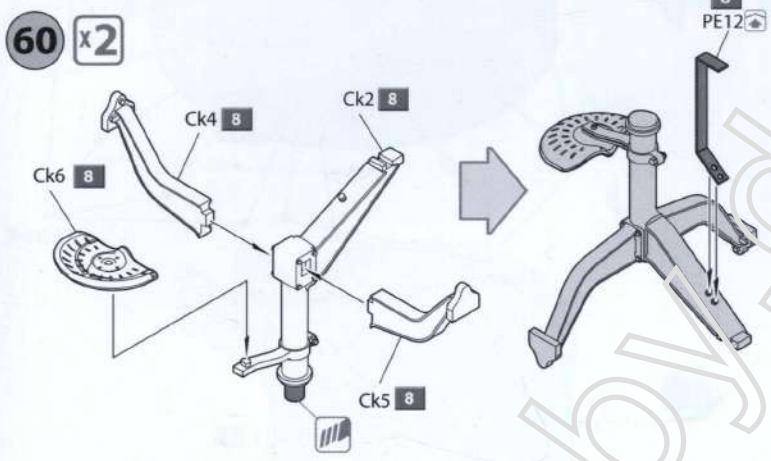
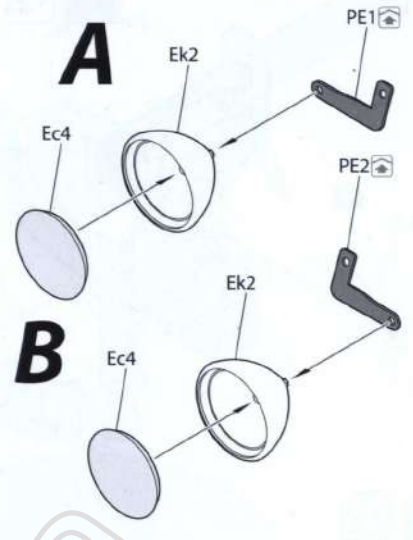
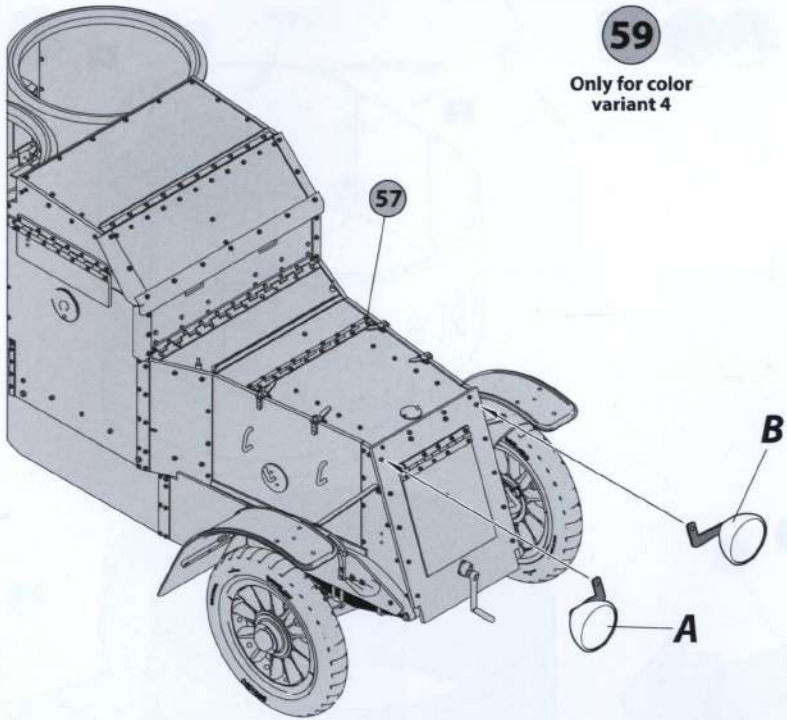


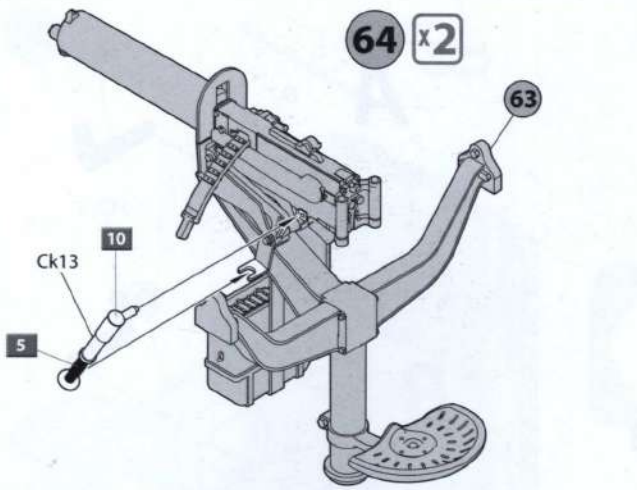
58 Only for color variant 5



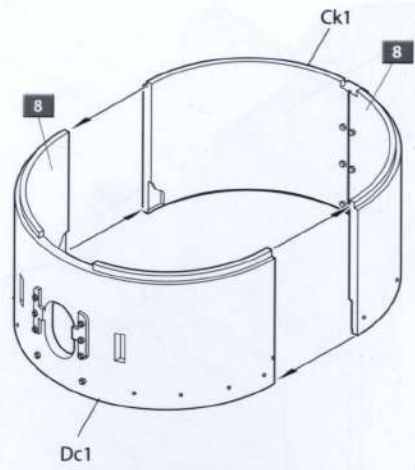
59

Only for color variant 4

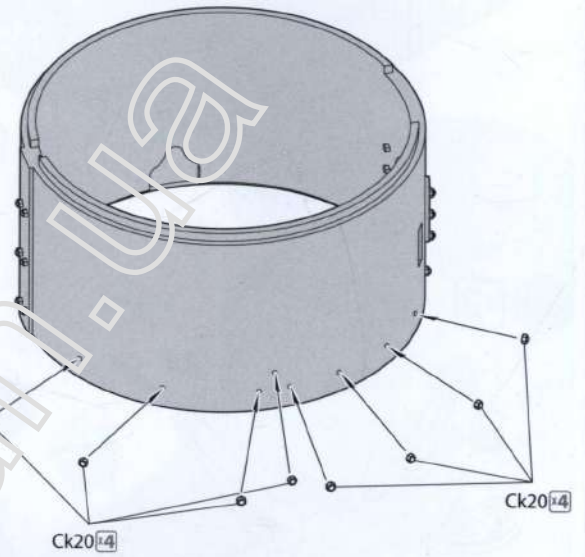
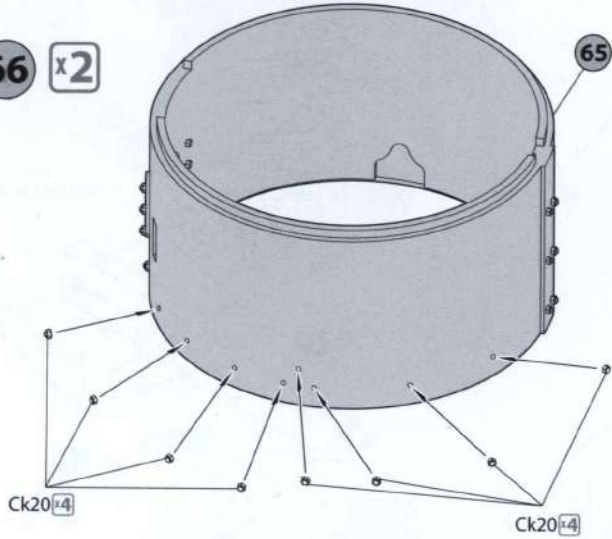




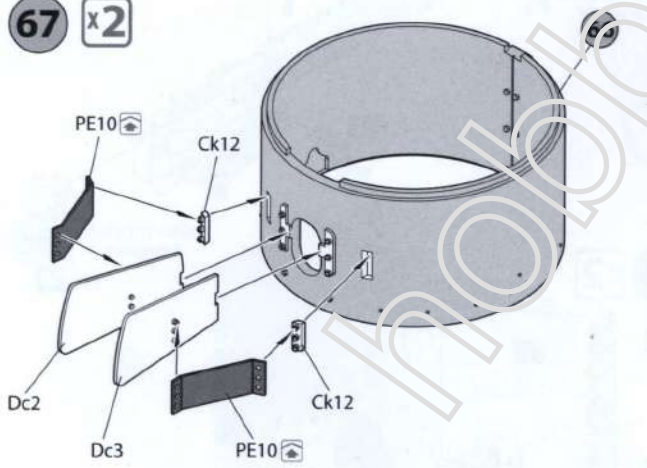
65 x2



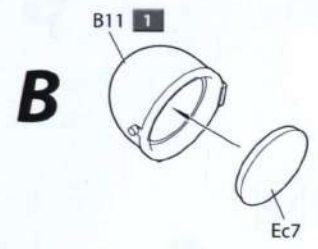
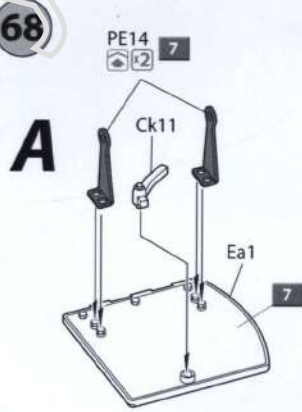
66 x2



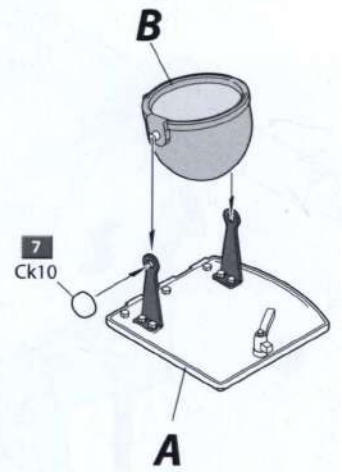
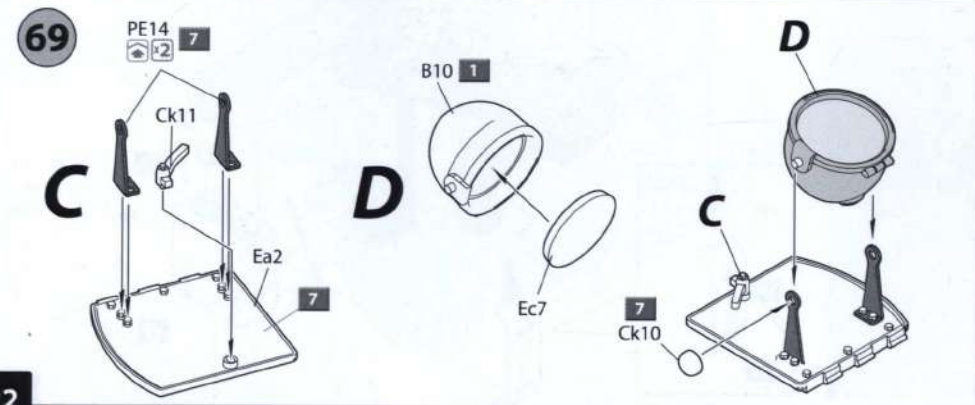
67 x2



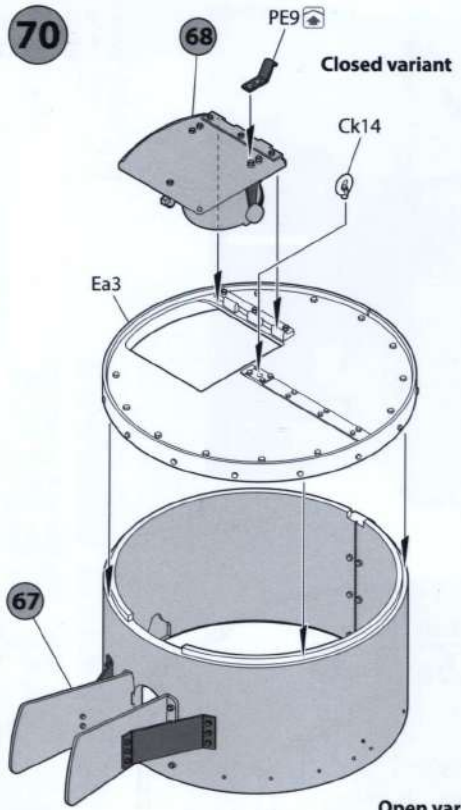
68



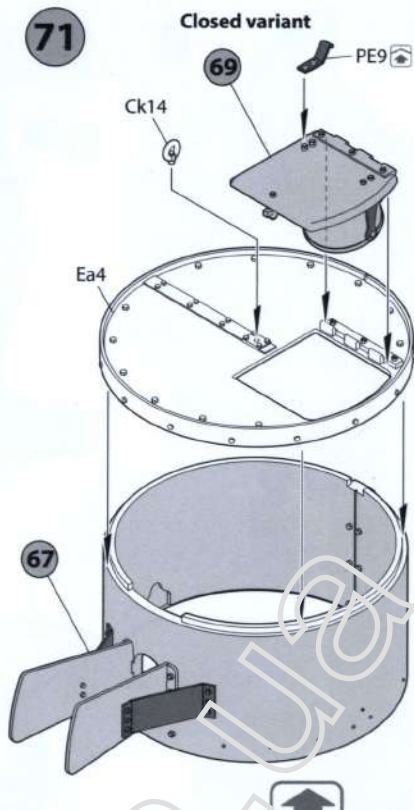
69



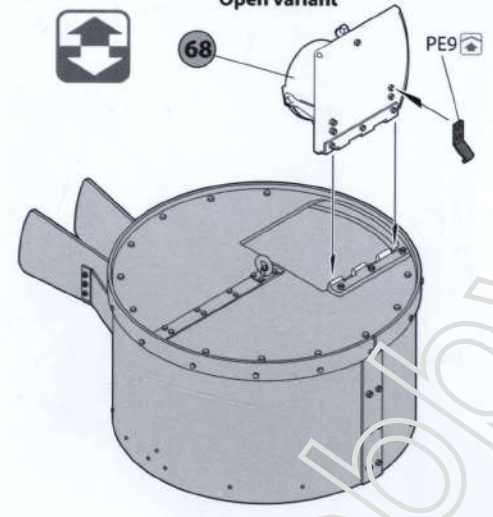
70



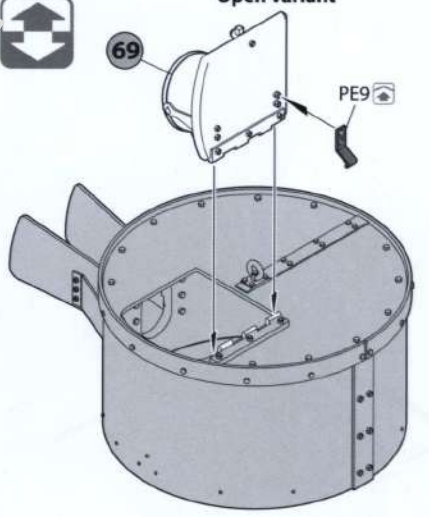
71



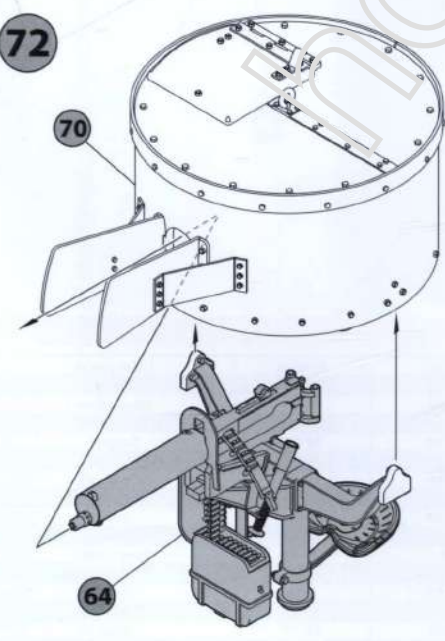
Open variant



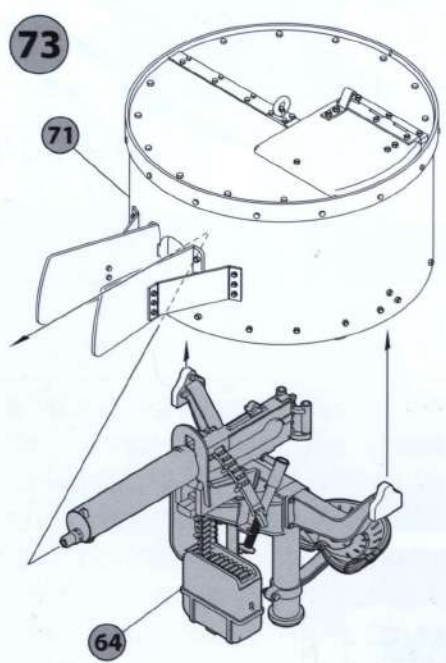
Open variant

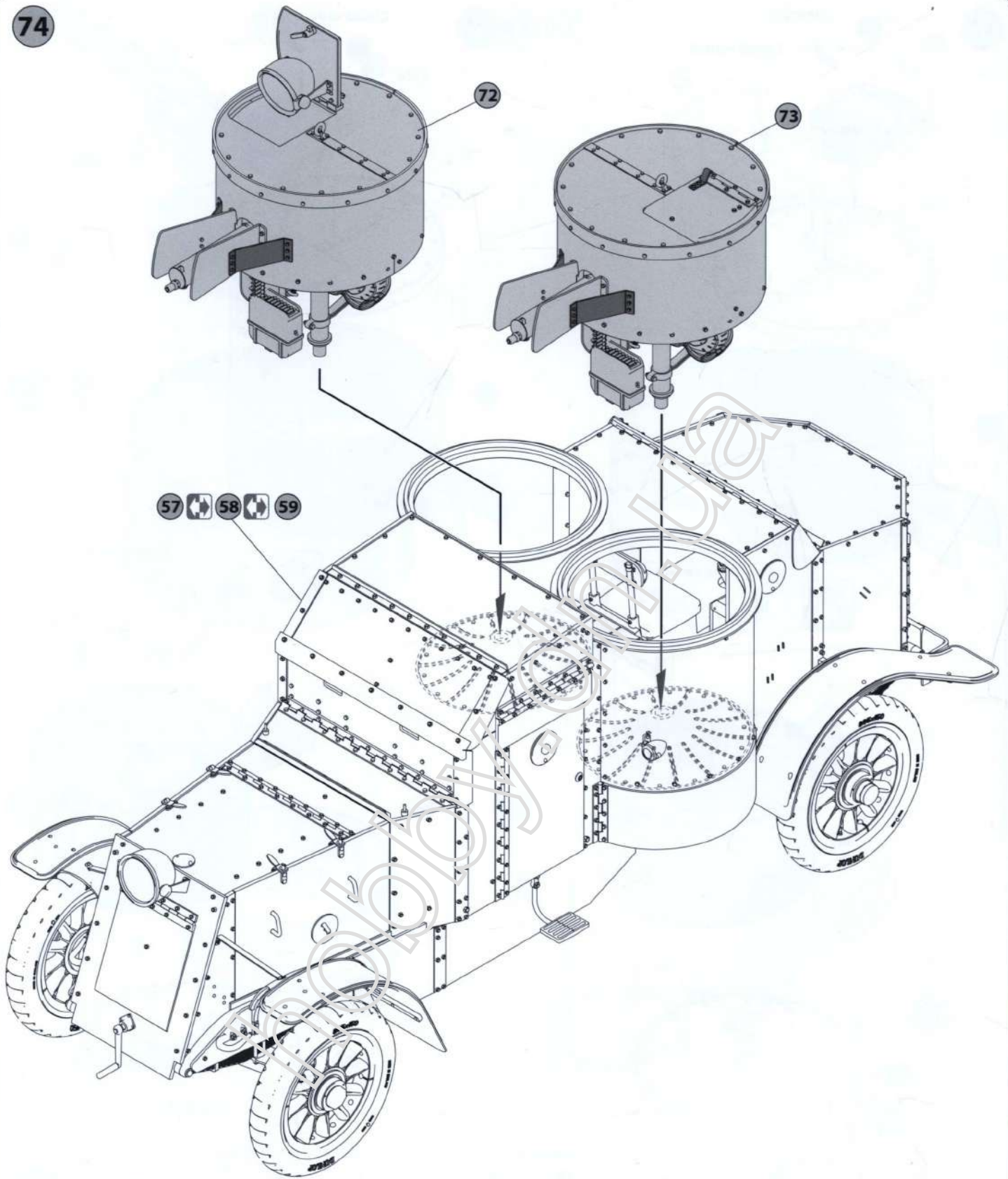


72



73





COLOR CHART

Nº	Color	Vallejo	Mr. Color	AK RC	Mission Models	AMMO MIG	Tamiya	Color name
1		71.057	C-033	RC-001	MMP-047	A.MIG-0046	XF-01	Black
2		71.062	C-090	RC-020	MMM-008	A.MIG-0194	XF-16	Aluminium
3		71.080	C-131	AK-709	MMW-001	A.MIG-0041	XF-10	Dark Rust
4		71.068	C-010	RC-016	MMM-004	A.MIG-0199	XF-06	Copper
5		71.072	C-028	AK-476	MMM-002	A.MIG-0191	XF-56	Steel
6		71.073	C-078	RC-015	MMM-001	A.MIG-0045	XF-84	Gun Metal
7		71.010	C-012	RC-033	MMP-024	A.MIG-0074	XF-62	Green Moss
8		71.001	C-062	RC-004	MMP-001	A.MIG-0050	XF-02	White
9		71.041	C-310	RC-035	MMP-033	A.MIG-0076	XF-10	Brown
10		71.007	C-038	RC-023	MMP-025	A.MIG-0081	XF-62	Olive Green
11		71.016	C-012	RC-024	MMP-020	A.MIG-0071	XF-49	Khaki
12		70.801	C-219	AK-460	MMM-009	A.MIG-0197	X-12	Brass
13		71.251	C-137	RC-022	MMP-040	A.MIG-0033	XF-85	Tire Black
14		71.089	C-005	RC-036	MMP-065	A.MIG-0086	XF-17	Blue
15		70.976	C-043	RC-030	MMP-076	A.MIG-0037	XF-79	Wood



AUSTIN ARMORED CAR 3rd SERIES

UKRAINIAN, POLISH, GEORGIAN, ROMANIAN SERVICE

SCALE
1:35

PAINTING GUIDE **4** Army of the Kingdom of Romania.
1918-1920



MiniArt 39005

BOOTH20



AUSTIN ARMORED CAR 3rd SERIES

UKRAINIAN, POLISH, GEORGIAN, ROMANIAN SERVICE

SCALE
1:35

PAINTING GUIDE **5** Army of the Democratic Republic of Georgia,
1918 - 1921



MiniArt 39005

BOOTH 20

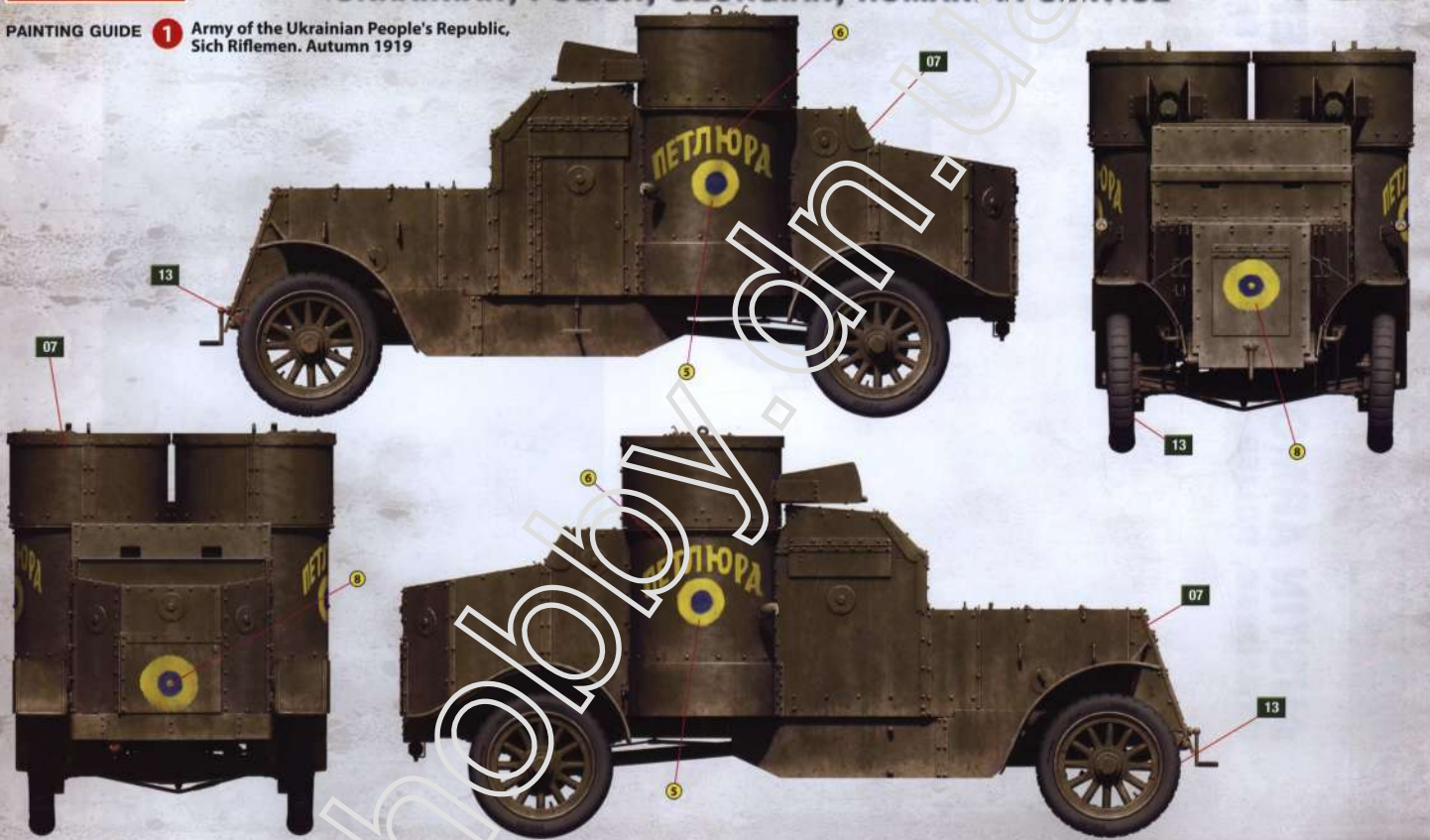


AUSTIN ARMORED CAR 3rd SERIES

UKRAINIAN, POLISH, GEORGIAN, ROMANIAN SERVICE

SCALE
1:35

PAINTING GUIDE **1** Army of the Ukrainian People's Republic,
Sich Riflemen. Autumn 1919



MiniArt 39005

ВООТН20



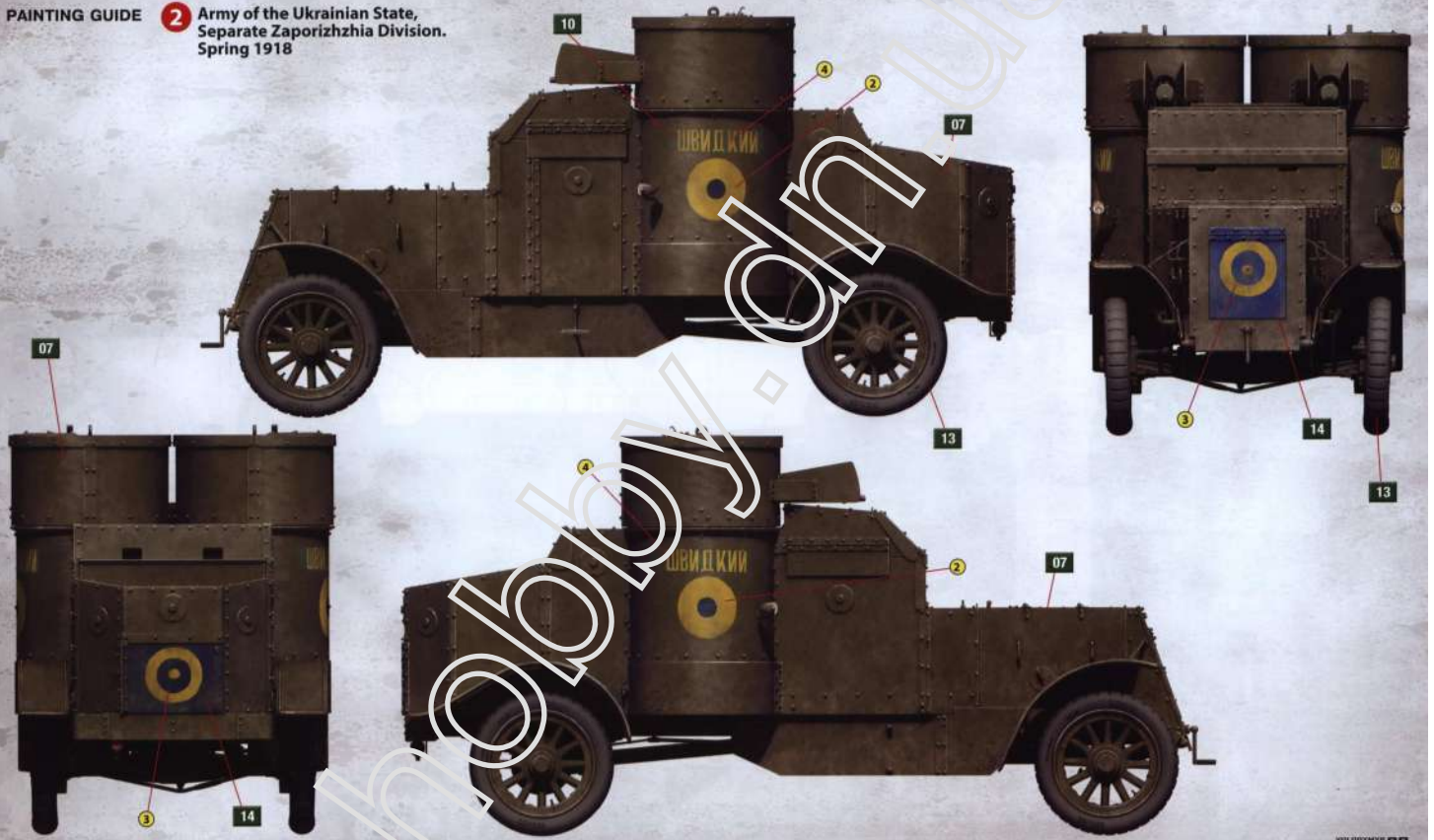
AUSTIN ARMORED CAR 3rd SERIES

UKRAINIAN, POLISH, GEORGIAN, ROMANIAN SERVICE

SCALE
1:35

PAINTING GUIDE

- 2** Army of the Ukrainian State,
Separate Zaporizhzhia Division,
Spring 1918



MiniArt 39005

ВООТН20



AUSTIN ARMORED CAR 3rd SERIES

UKRAINIAN, POLISH, GEORGIAN, ROMANIAN SERVICE

SCALE
1:35

PAINTING GUIDE **3** Army of the Polish Republic, 1920



MiniArt 39005

BOOTH20