

modelcollect

**GROUND LAUNCHED CRUISE MISSILE
NATO USA ARMY M1014 TRACTOR & BGM-109G**



搜模閣

UA72096
1:72
SCALE

NATO USA ARMY M1014 TRACTOR & BGM-109G GROUND LAUNCHED CRUISE MISSILE



ITEM NO: UA72096

The MAN KAT1 was a family of high-mobility off-road trucks developed by MAN AG for the German army. In 1962 the Bundeswehr planned to replace its fleet of vehicles, which still stemmed from the time the army had been founded. It wanted amphibious two-, three- and four-axle vehicles in the 4 to 10 ton payload range. Because a high degree of new development was necessary, the German federal agency for defence technology and procurement (Bundesamt für Wehrtechnik und Beschaffung, BWB) found itself unable to accept the responsibility for a decision but suggested the bidding companies form a common development bureau and agree on one unified project. Two years later in 1964, the "Common Bureau of the German Utility Vehicle Industry" (Gemeinschaftsbüro der deutschen Nutzfahrzeugindustrie) was formed under the leadership of MAN. The manufacturers Klausen-Humboldt-Deutz (KHD), Büssing, Krupp and Henschel were also on board. On 12 August 1964, BWB drafted the second generation requirements. Specification of the next generation called for mostly standard commercial vehicles with unlimited cross-country mobility amphibious, with permanent all-wheel drive, low-pressure run flat tires, a steel cab, NBC protection, a multifuel engine and a minimum service life of ten years. Because procurement costs would have run too high and NATO established a new standard, the amphibious, NBC and multifuel capabilities were subsequently cancelled and requirements re-drafted. Payload of the twin-axle version was increased to 5 t, fording depth specified to 1,200 mm, bed height raised to 1,650 mm, and air cooled Deutz V8 engines with and without turbocharger as well as 14.00 R 20 size tires were specified. However, even this "trimmed-down" version was too expensive for comprehensive procurement. After further deliberations it was decided to procure a smaller number of the specialized, newly developed high-mobility trucks and supplement them with a number of near-standard trucks. This meant the army procured altogether six different new truck models, initially three of them in the high-mobility off-road category. On 4 December 1975, the Bundeswehr and MAN signed the procurement treaty about the delivery of the special military trucks, now split even further into two more categories. The first Kategorie I-MAN, the 10 t mil gl, was delivered on 29 November 1976. The original intention was to build a family of logistics vehicles which could carry full loads across severe terrain whilst keeping up with modern main battle tanks. The first model produced was 8x8; 6x6 and 4x4 variants followed. The original KAT1 evolved into the MAN SX. A few ex-military MAN KAT1 vehicles are released onto the second-hand market in Germany. The US Army and the US Air Force operated 4 variations of the 8x8 model under the designations M1001, M1002, M1013 and M1014.

●READ BEFORE ASSEMBLY

1. When you use glue or paint, do not near flame, and use in a well-ventilated room.
2. Take extra care in handling photo etch parts in order to avoid injury
3. When you take parts off the runner frame, use modeling scissors and trim excess plastic with a cutter or a file.
4. Glue and paint are not included.
5. This product is only suitable for experienced more than 14 years old.

SUPERGLUE 强力胶	WEIGHT 配重	MAKE HOLE 钻孔	CUT/REMOVE 切除
------------------	--------------	-----------------	------------------

DECAL APPLICATION

1. Cut off decal from sheet.
2. Dip the decal in tepid water 40° C for about 10 sec. and place on a clean cloth.
3. Hold the backing sheet edge and slide decal onto the model.
4. Move decal into position by wetting decal with finger.
5. Press decal gently down with a soft cloth until excess water and air bubbles are gone.

●装配之前仔细阅读:

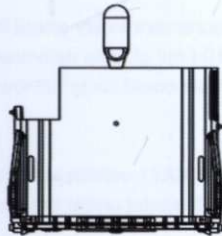
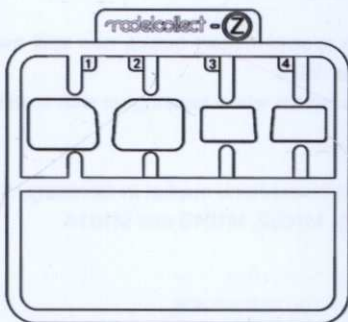
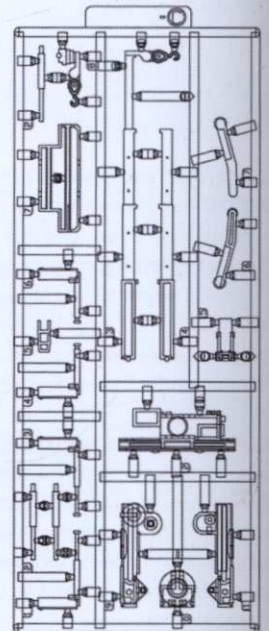
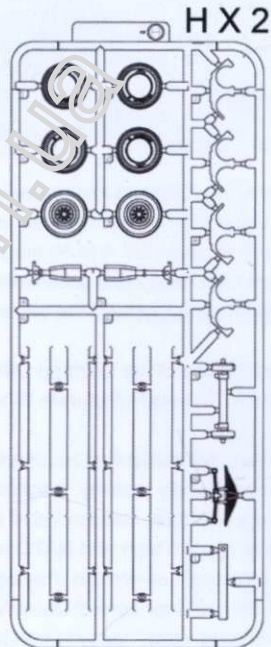
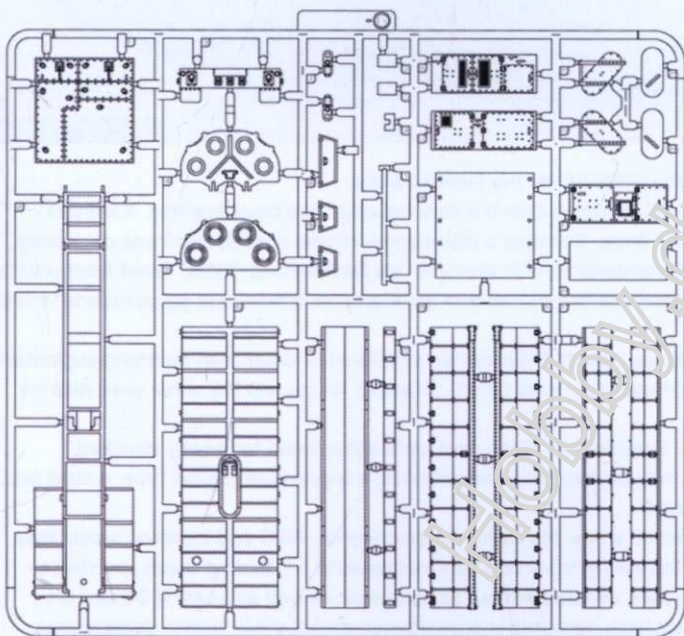
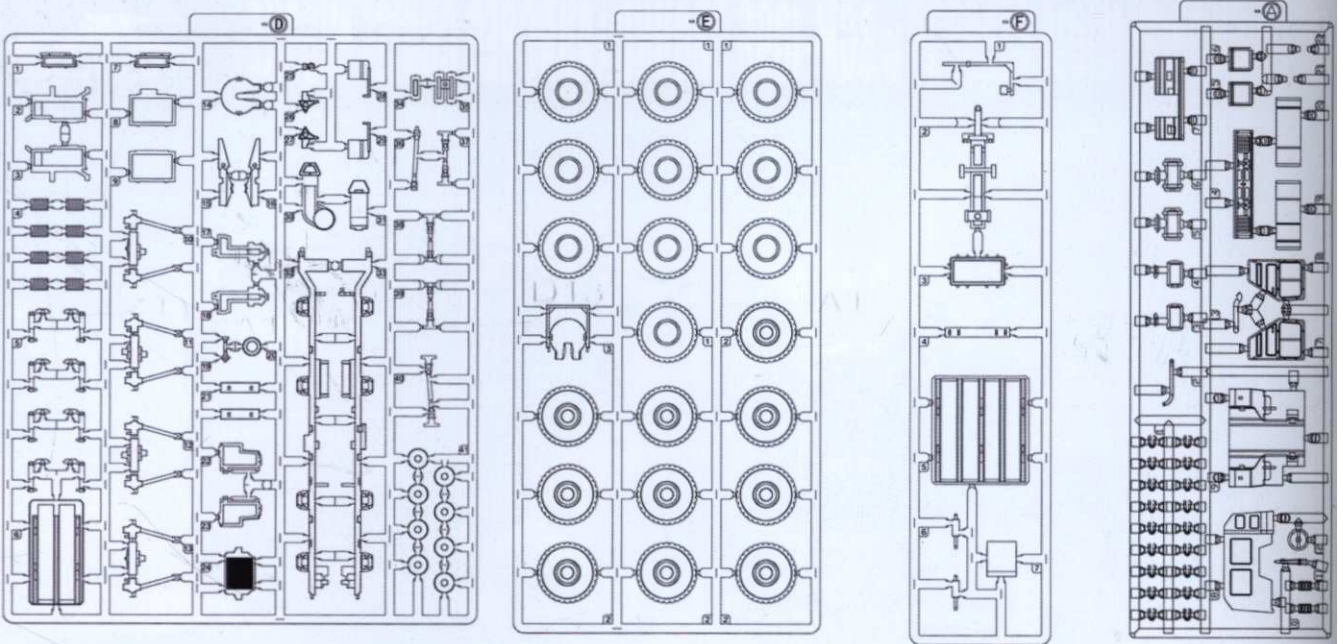
1. 勿於近火处使用胶水或油漆, 并 打开窗户保持空气流通。
2. 取蚀刻片时应特别注意安全, 防止利边划伤手指。
3. 从胶架中取出部件时, 应用模型专用剪, 并用界刀或小锉除去多余的胶料。
4. 请使用塑料胶水和油漆, 模型内不含。
5. 本产品不适合14岁以下没有经验的模型爱好者。

BEND 弯曲	FILE/SAND 锉平	OPTION 选择	NO CEMENT 不涂胶水	DECAL 贴纸
------------	-----------------	--------------	-------------------	-------------

水贴纸的使用:

1. 从水贴纸上剪下印花。
2. 将印花放入温水中浸10秒, 然后放在干净布上。
3. 拿着印花纸将印花移到模型上。
4. 手指蘸水将印花移到适当的位置。
5. 用软布轻压印花直至不干, 汽泡消失。

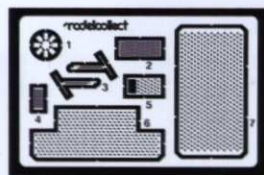
Parts



rockcollect © 2017 Rockcollect Tech. 1/72 PRINTED BY CARTORAW MADE IN ITALY

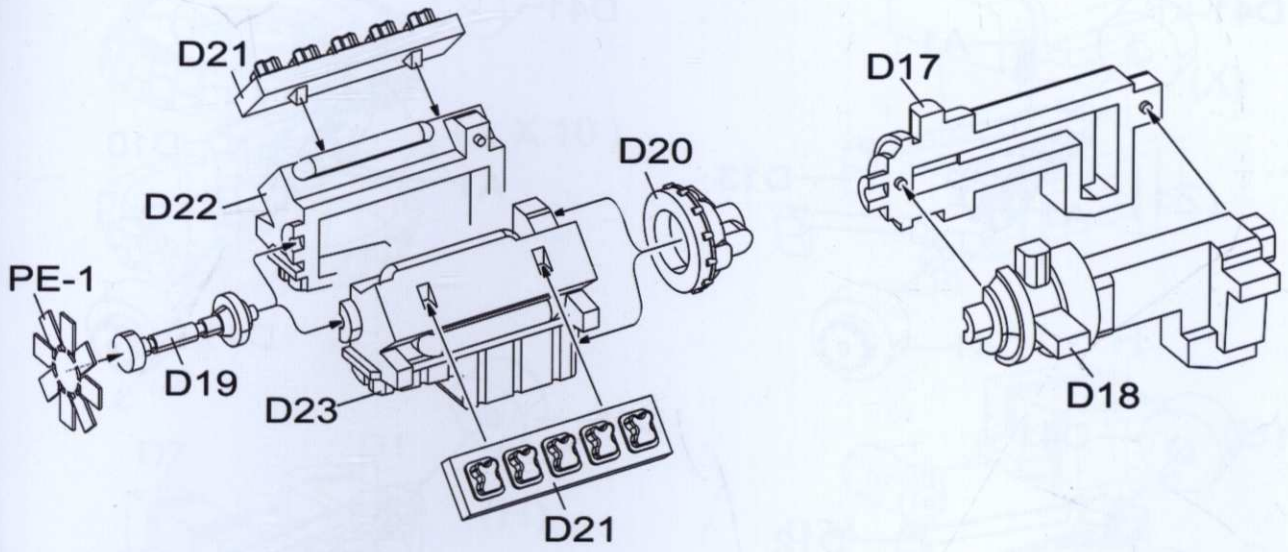
+	+	+	●	●	●	44	MY-998224
MY-	MY-	+	●	●	●	60	MY-998224
MYa	MYa	+	●	●	●		MY-820943
MYa	MYa	+	●	●	●		MY-509565
1234567890069							MY-412020
1234567890069		+					MY-509565
1234567890069		+					MY-412020
1234567890069		+					MY-412020

Decal



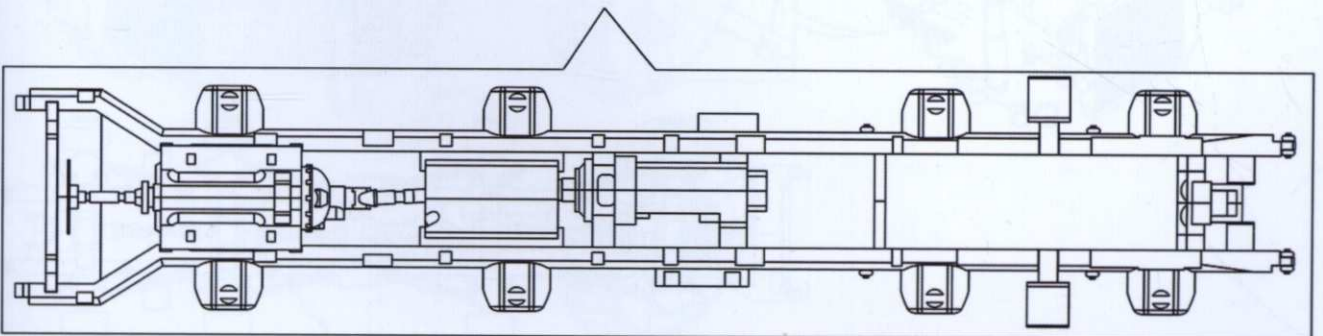
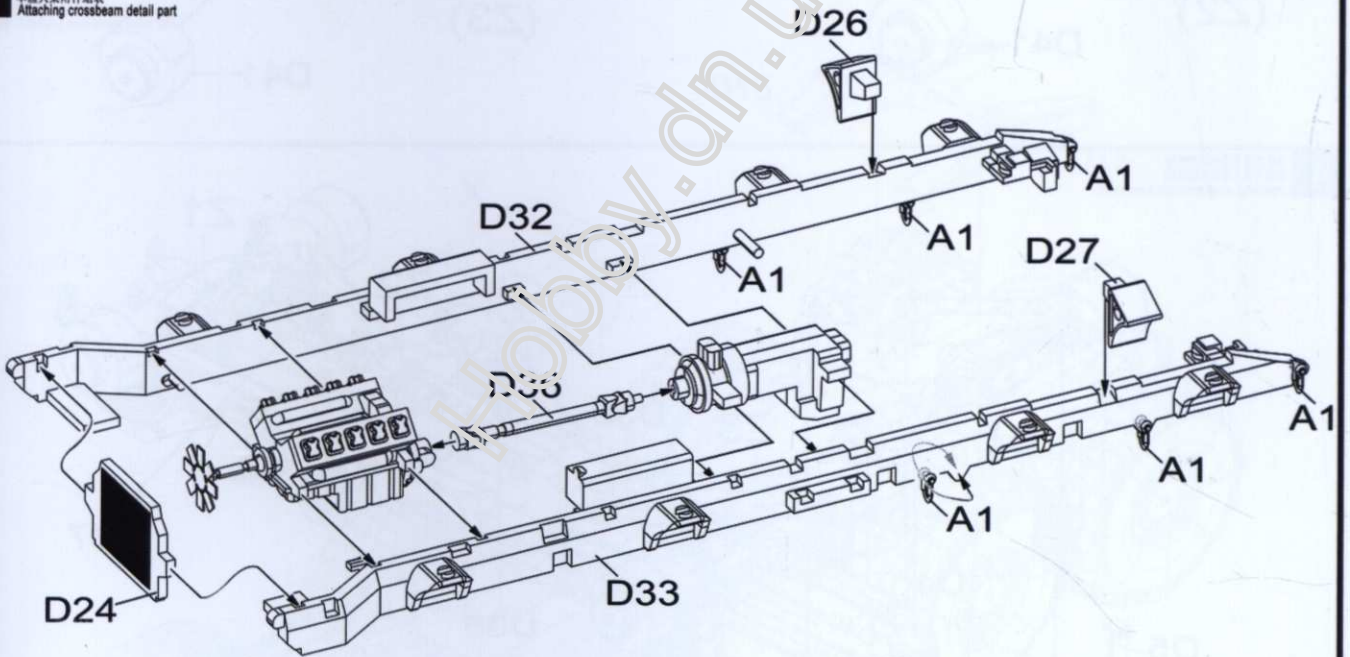
1

发动机及传动结构组装
發動機及傳動結構組裝
Attaching engine part and transmission system



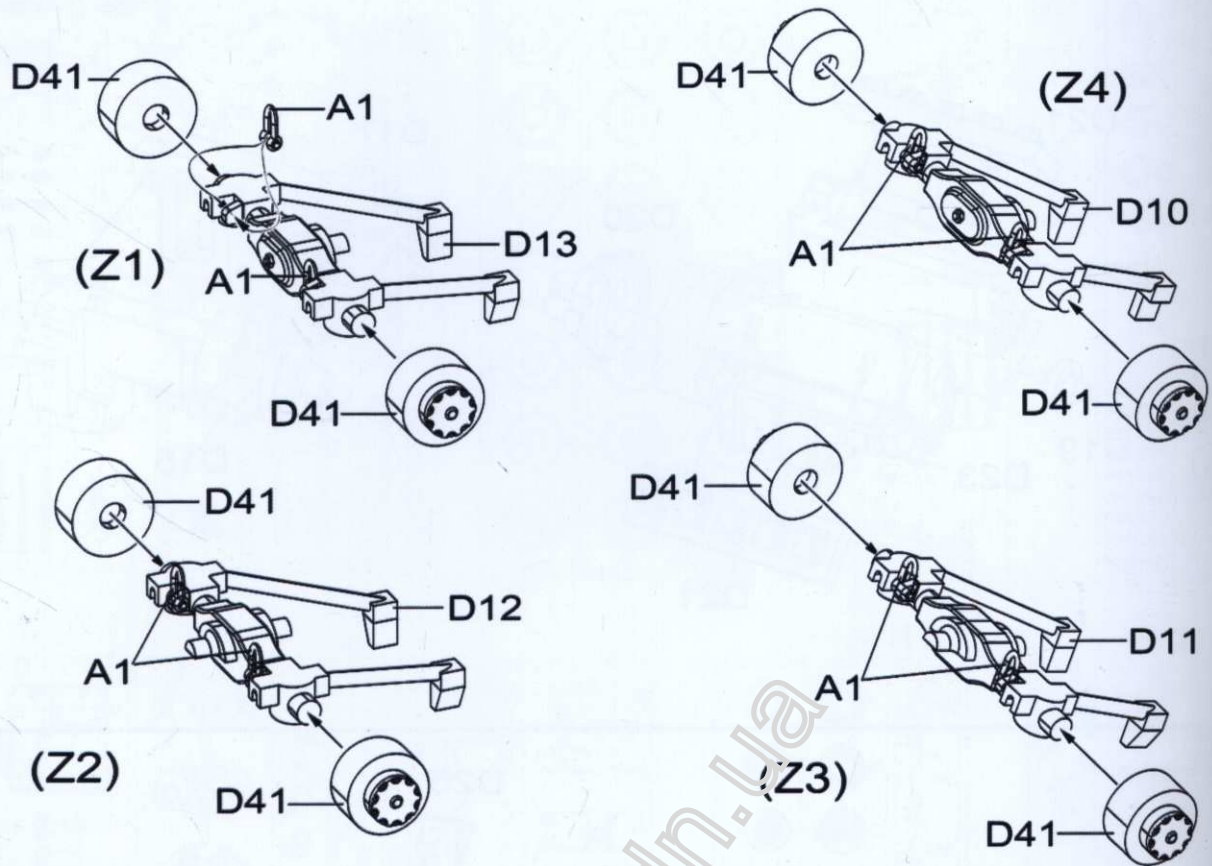
2

车体大梁附件组装
車體大梁附件組裝
Attaching crossbeam detail part



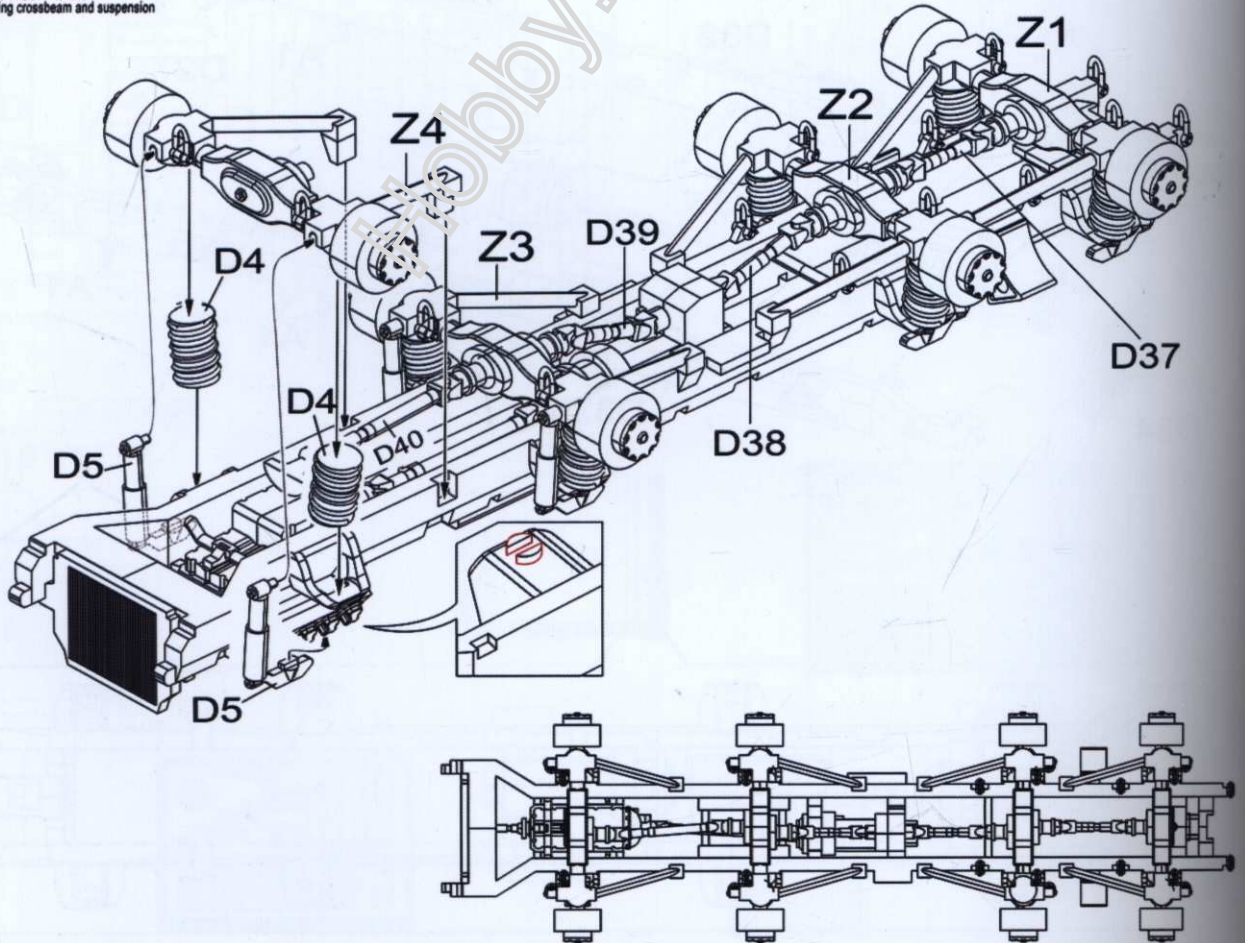
3

车体大梁及悬挂结构组装
車體大梁及懸掛結構組裝
Attaching crossbeam and suspension



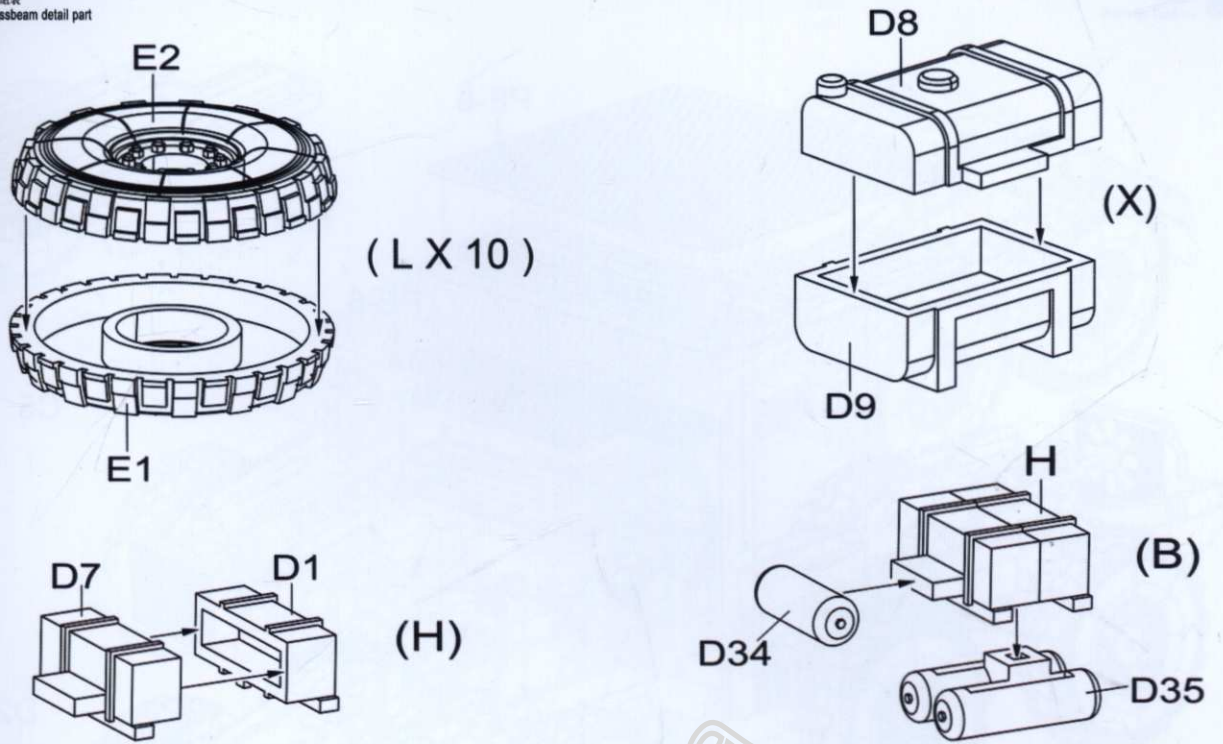
4

车体大梁及悬挂结构组装
車體大梁及懸掛結構組裝
Attaching crossbeam and suspension



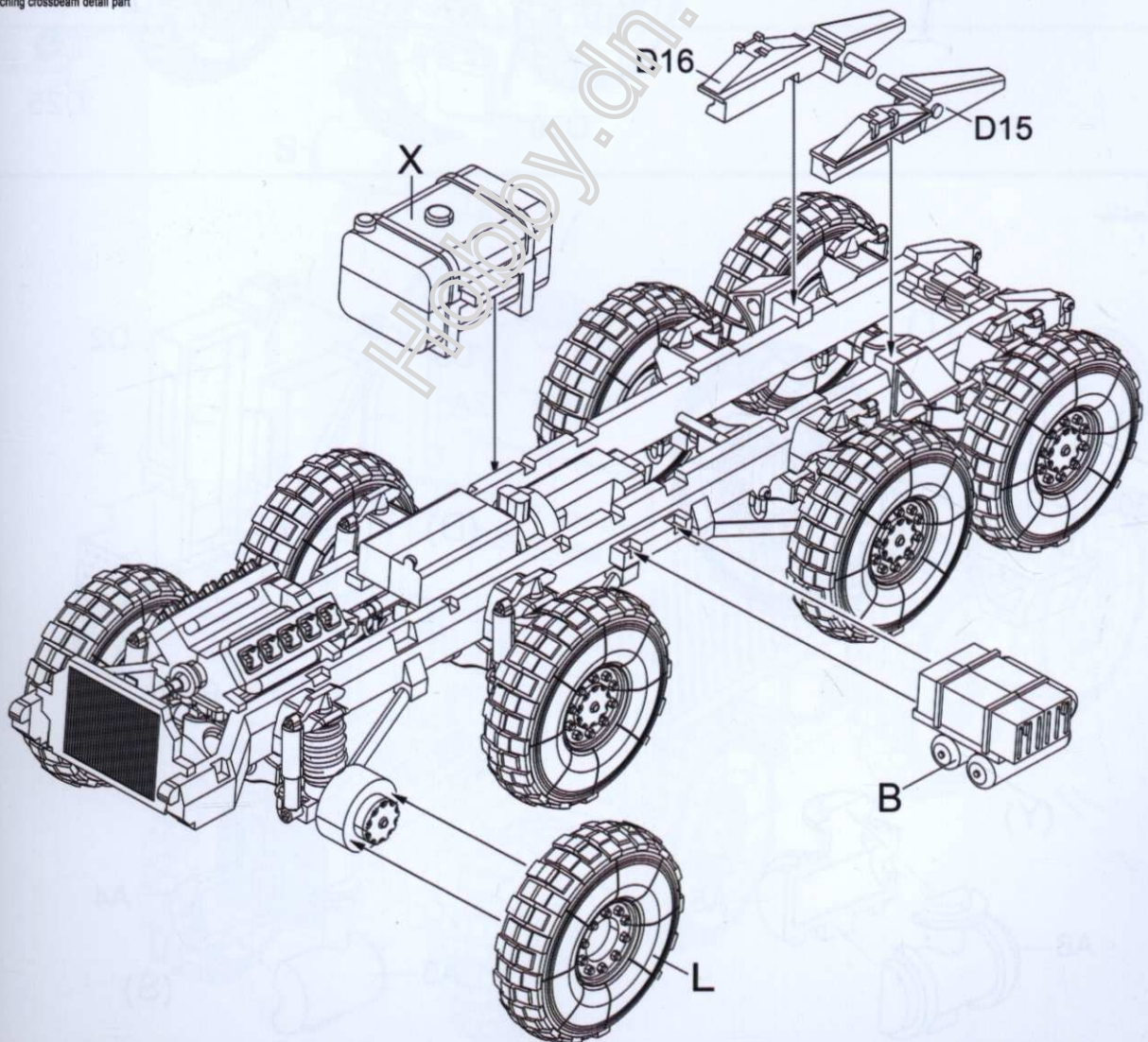
5

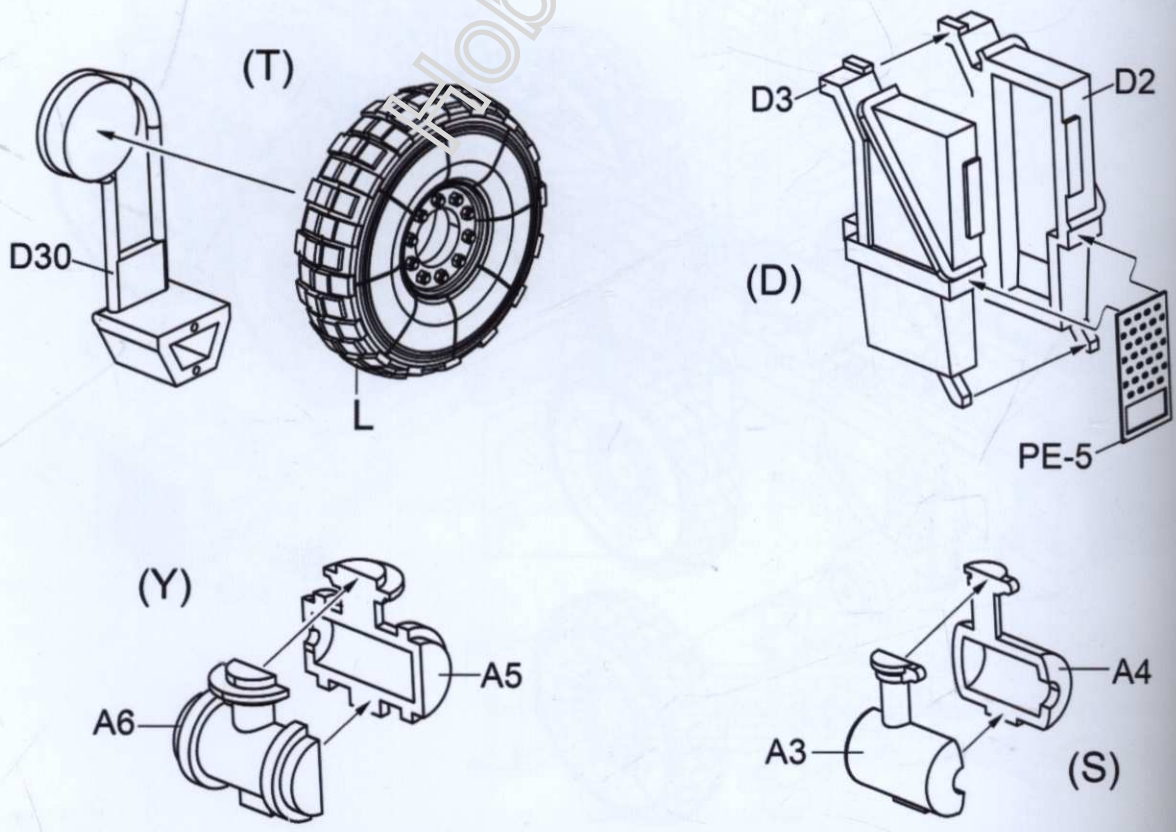
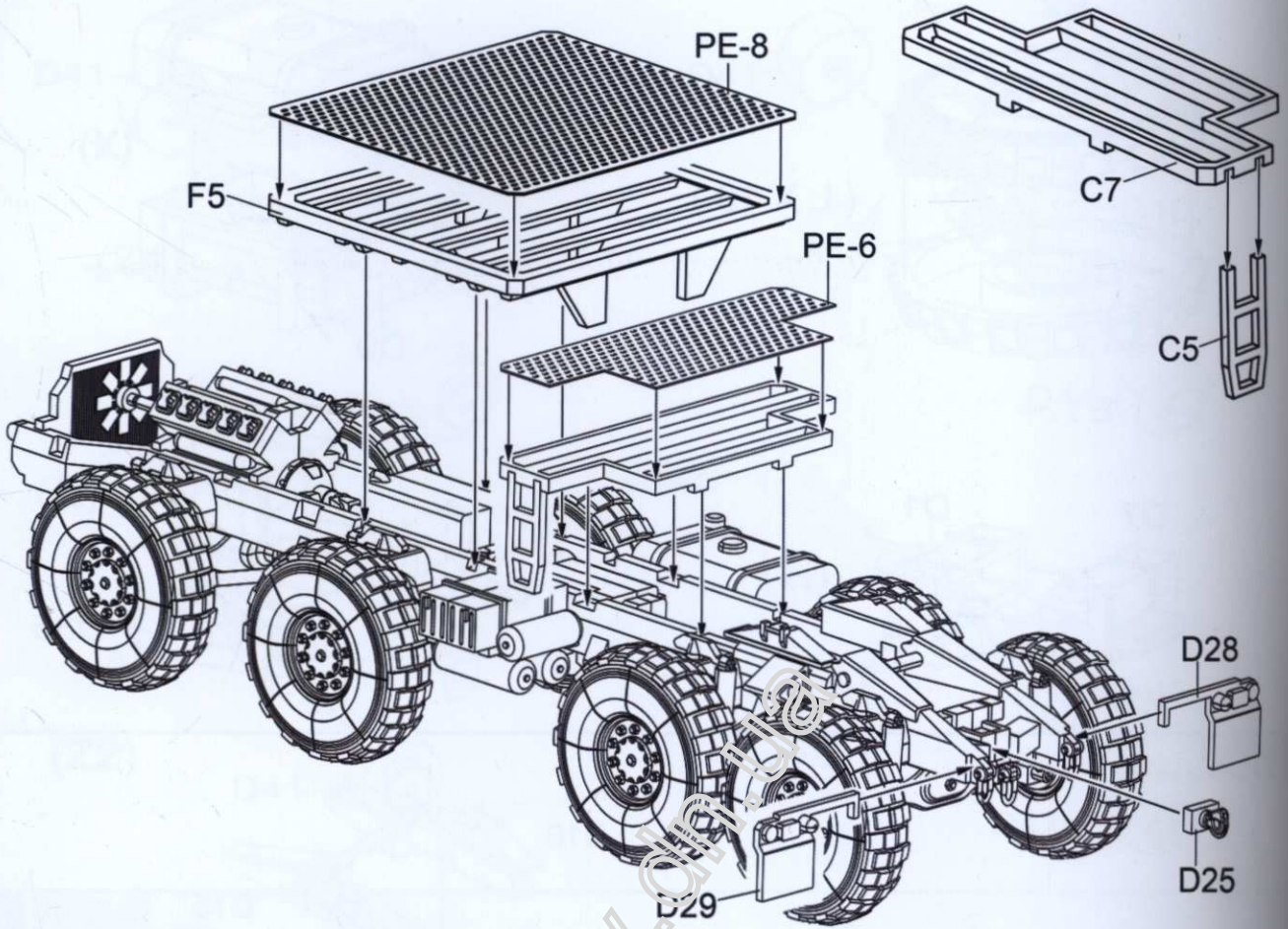
车体大梁附件组装
車體大梁附件組裝
Attaching crossbeam detail part



6

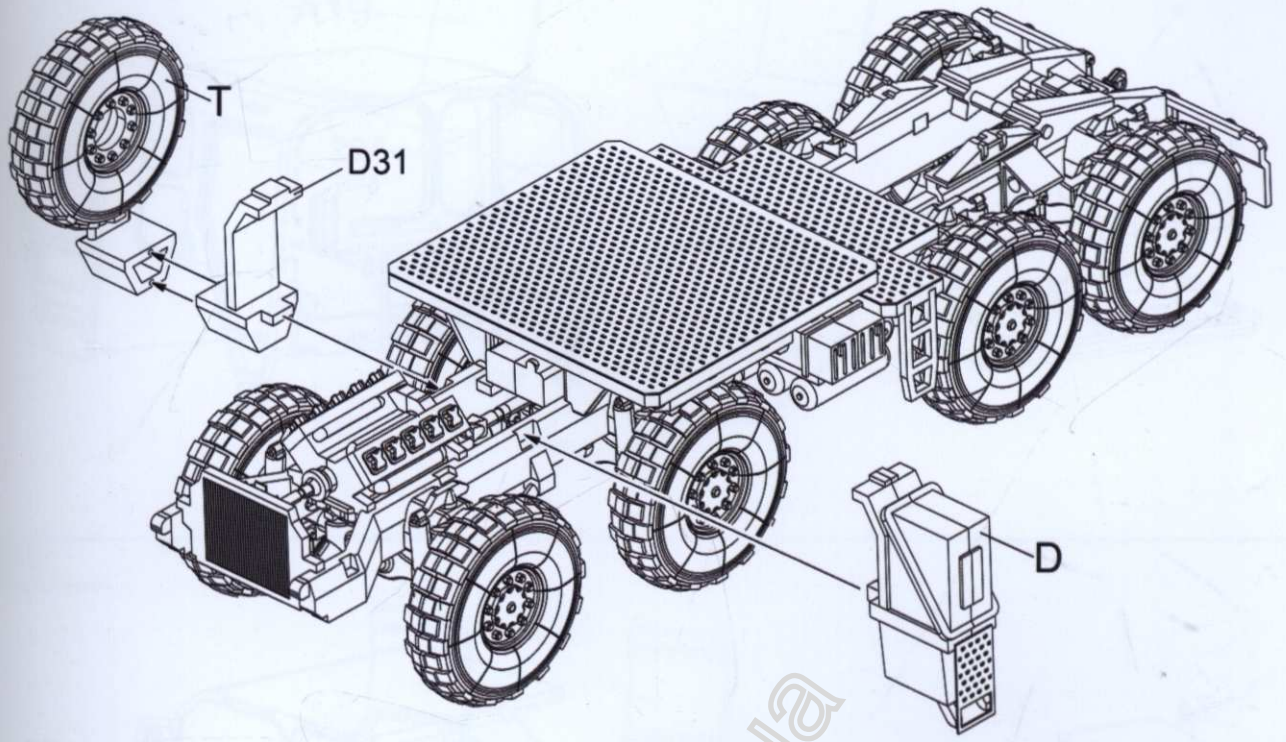
车体大梁附件组装
車體大梁附件組裝
Attaching crossbeam detail part





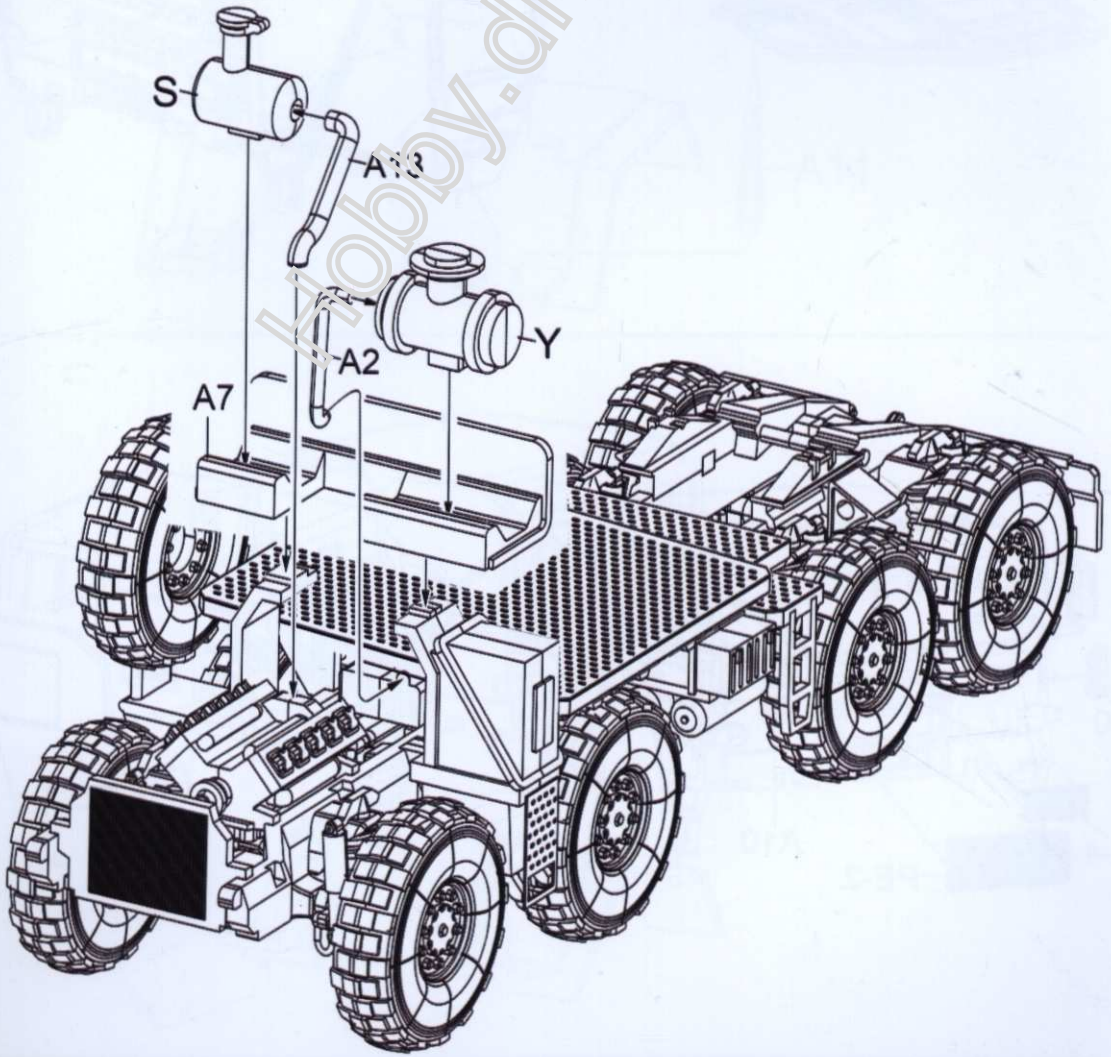
9

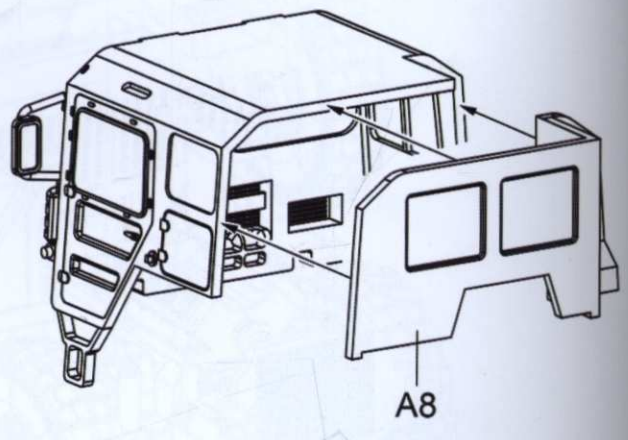
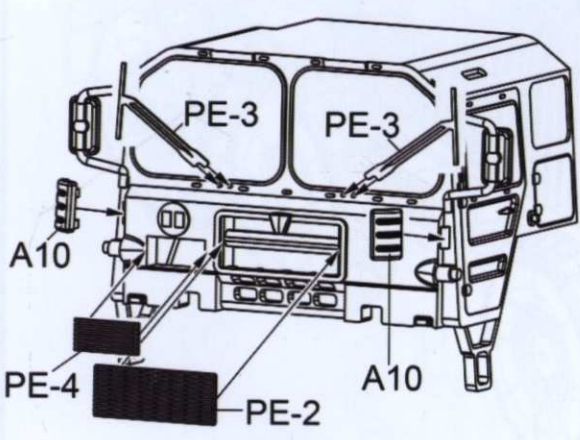
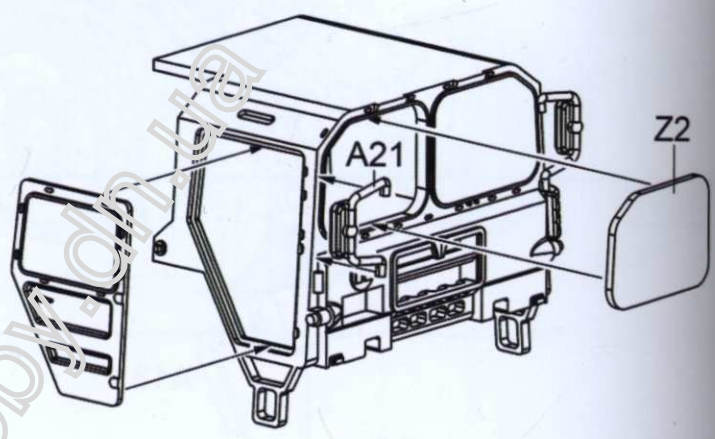
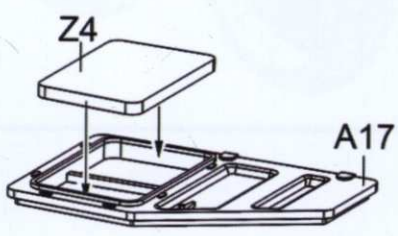
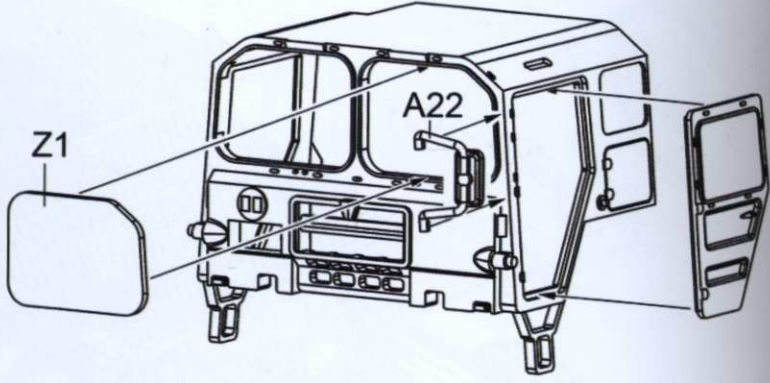
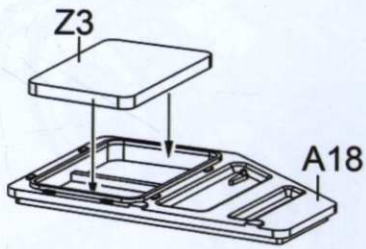
车体组装
車體組裝
Car body assembly



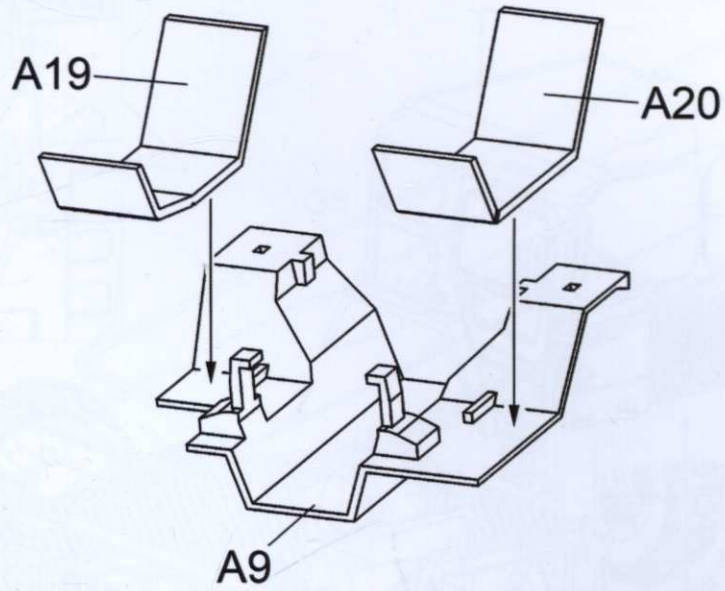
10

车体组装
車體組裝
Car body assembly

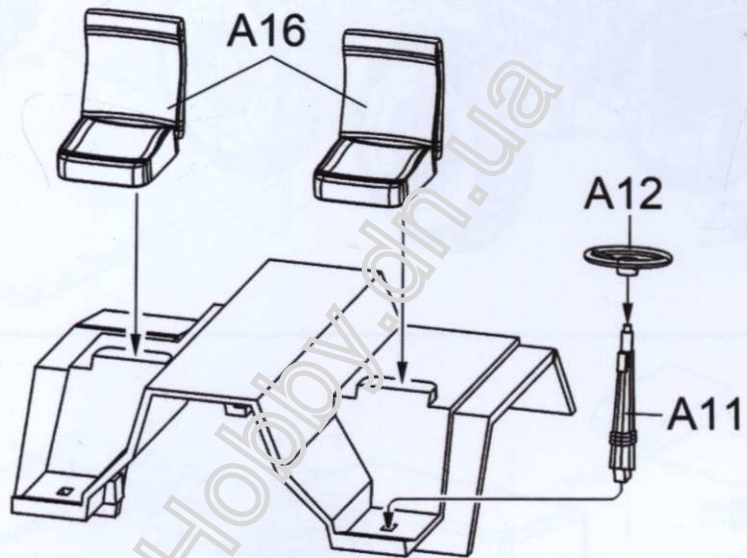




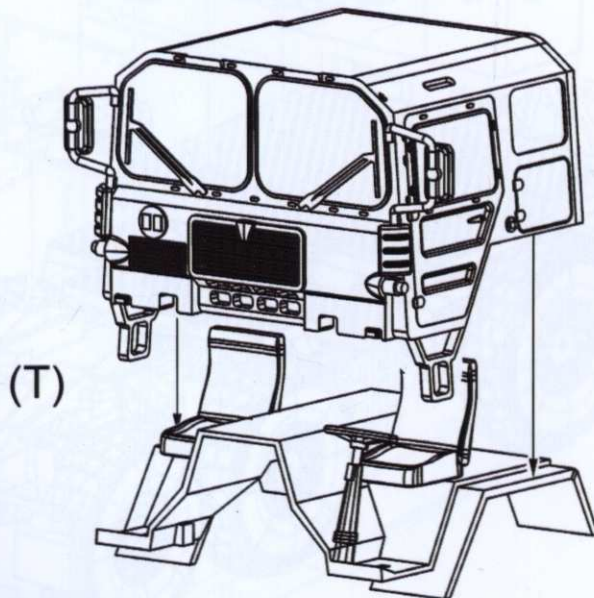
12 駕駛室組裝
駕駛室組裝
Attaching drive cabin



13 駕駛室組裝
駕駛室組裝
Attaching drive cabin

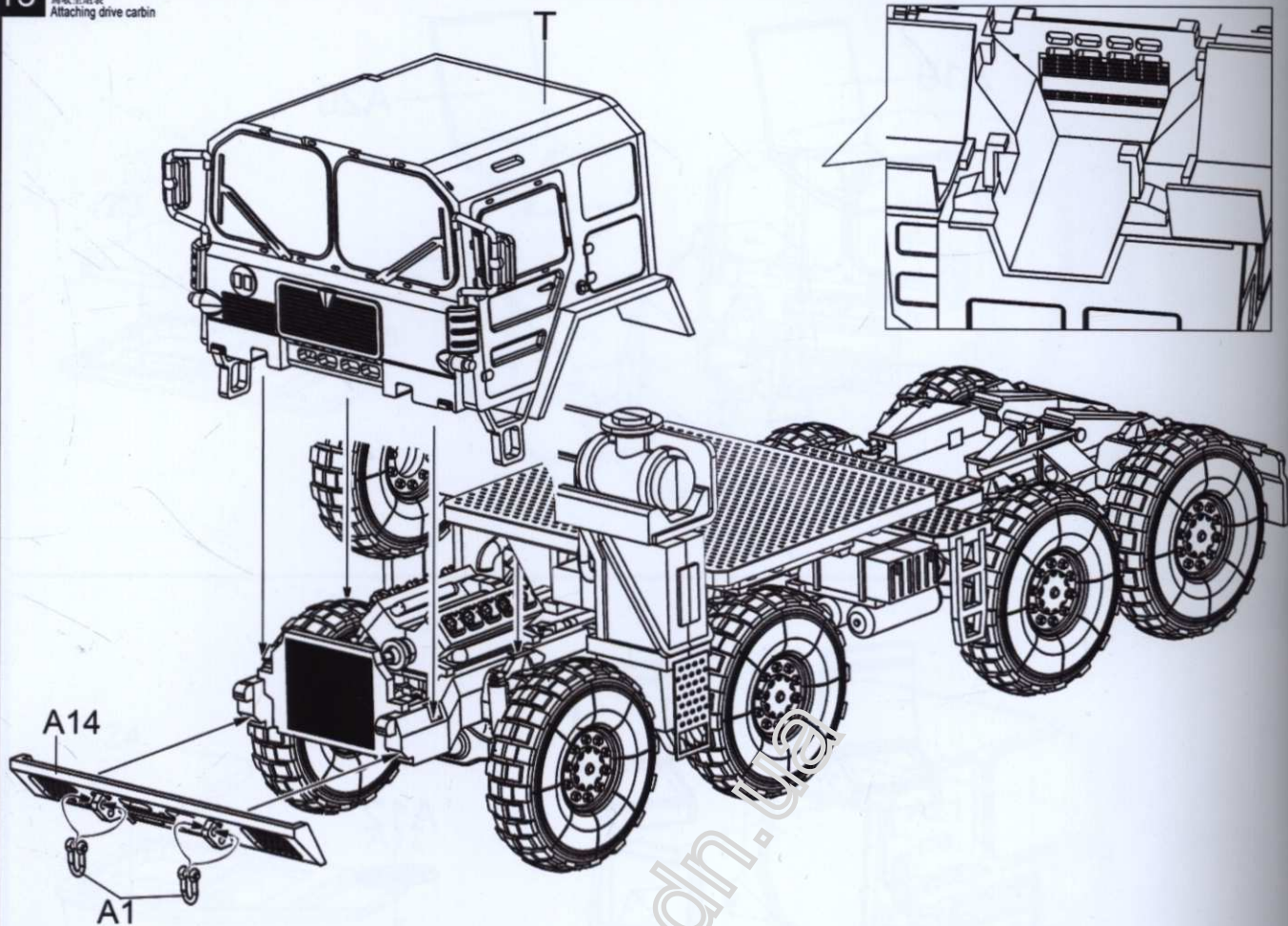


14 駕駛室組裝
駕駛室組裝
Attaching drive cabin



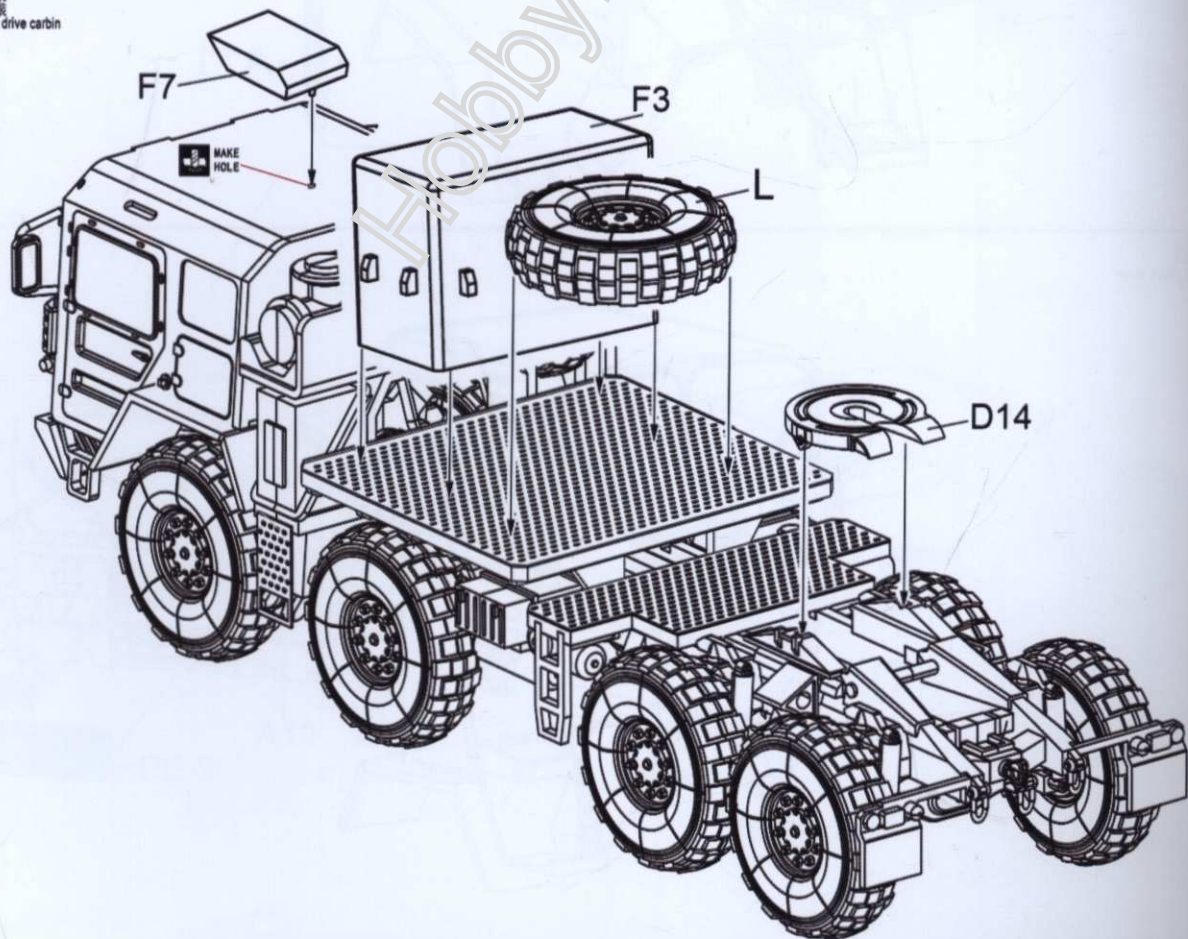
15

駕駛室組裝
駕駛室組裝
Attaching drive cabin

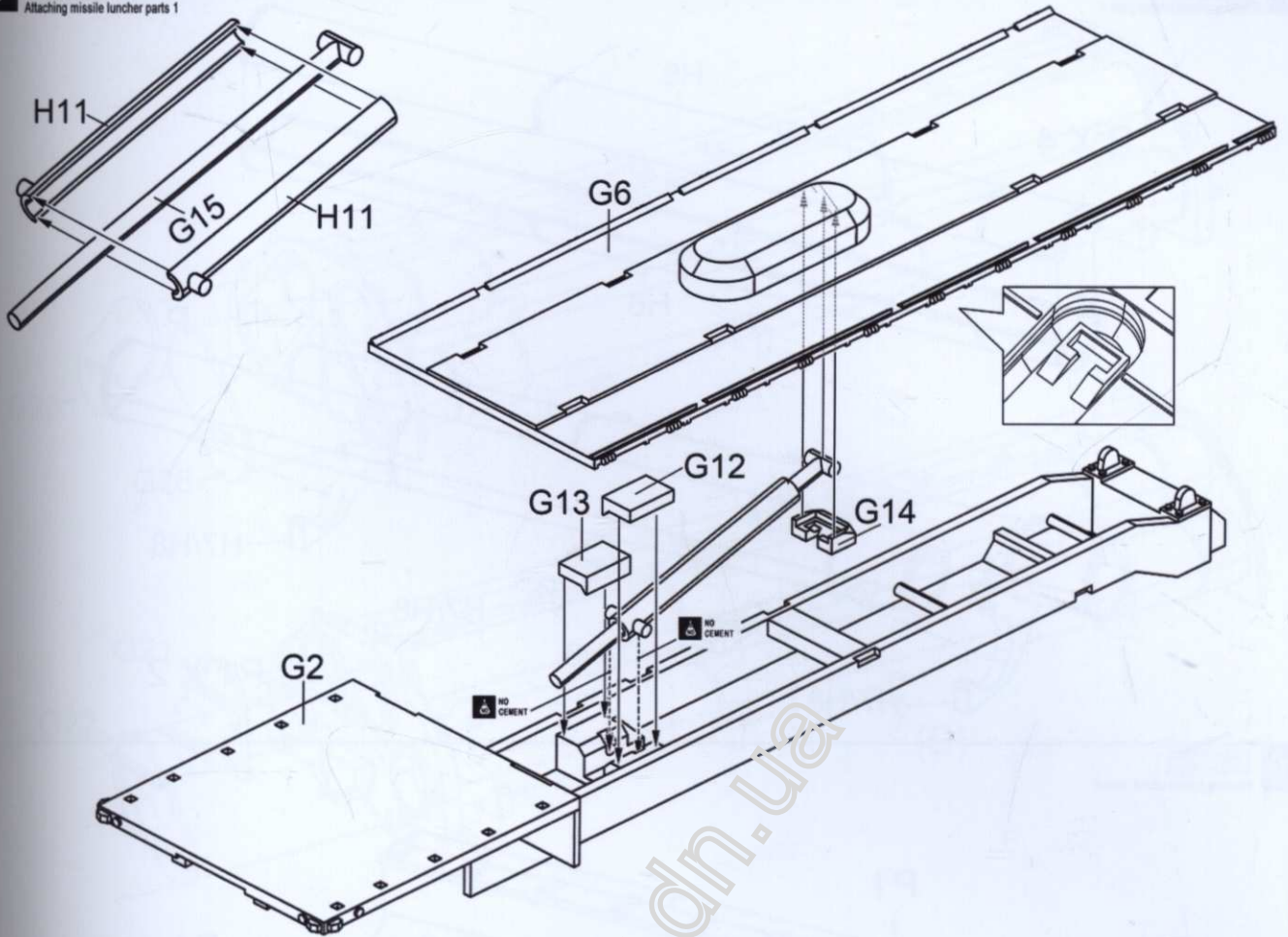


16

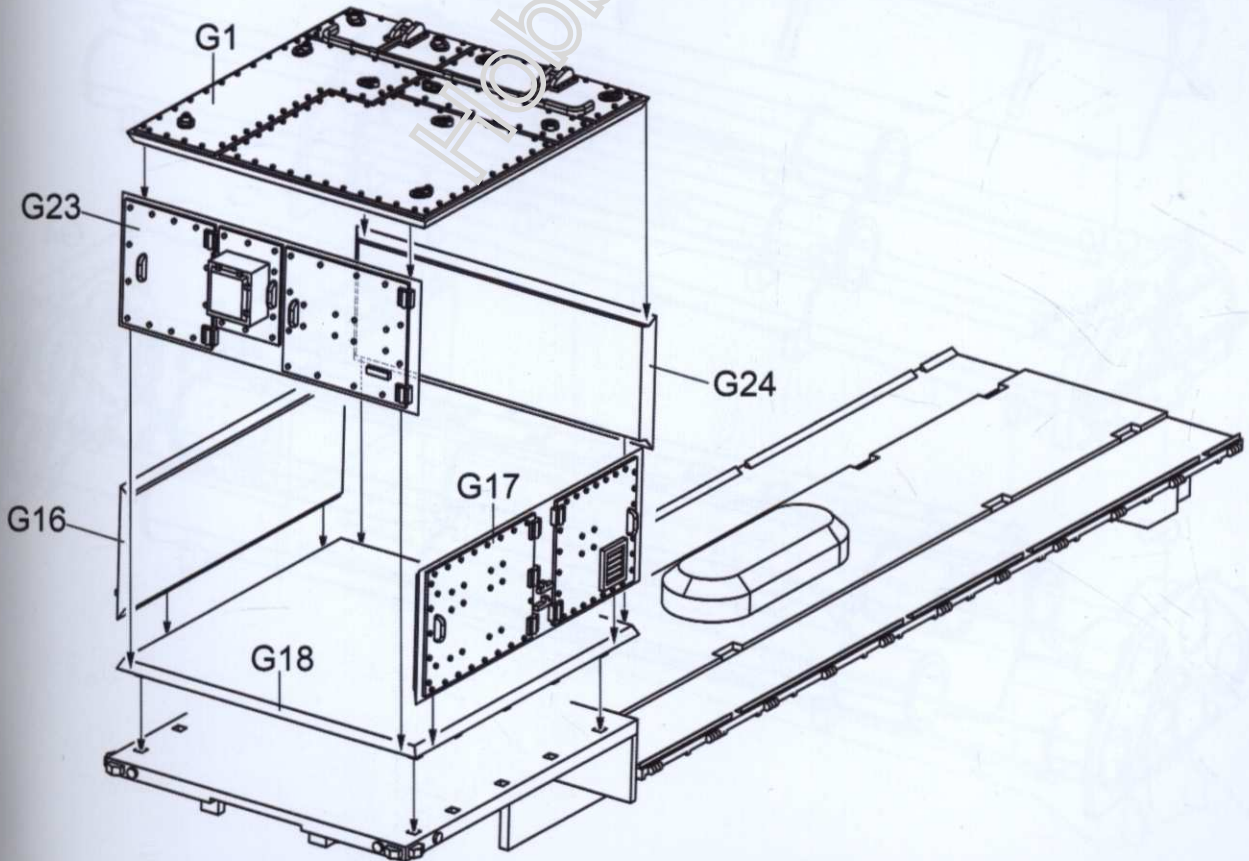
駕駛室組裝
駕駛室組裝
Attaching drive cabin

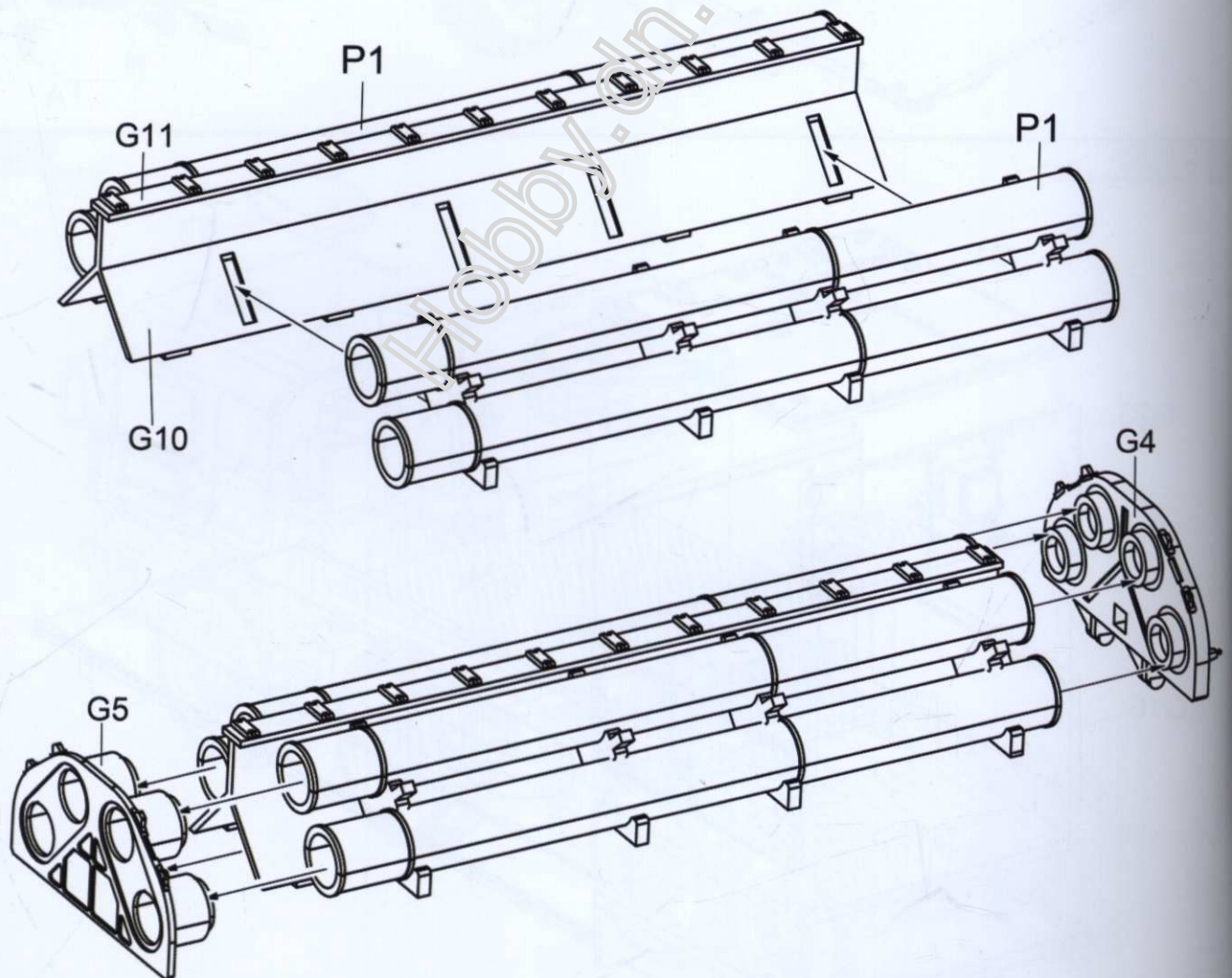
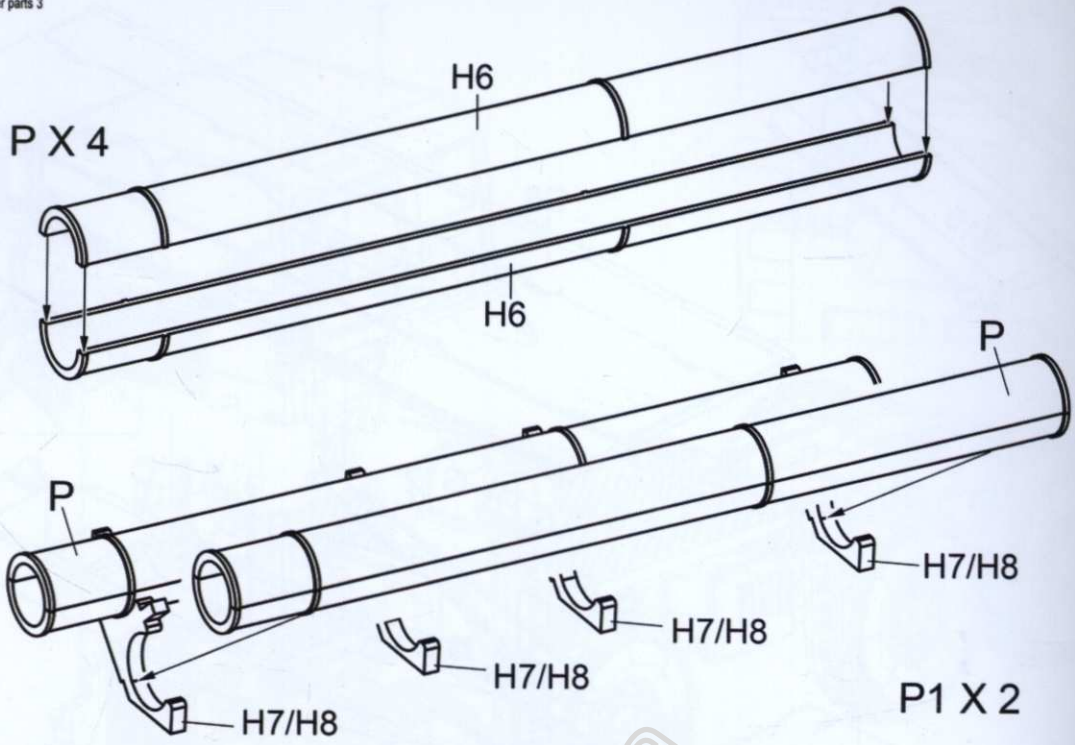


17 导弹发射结构组装 1
导弹发射结构组装 1
Attaching missile launcher parts 1



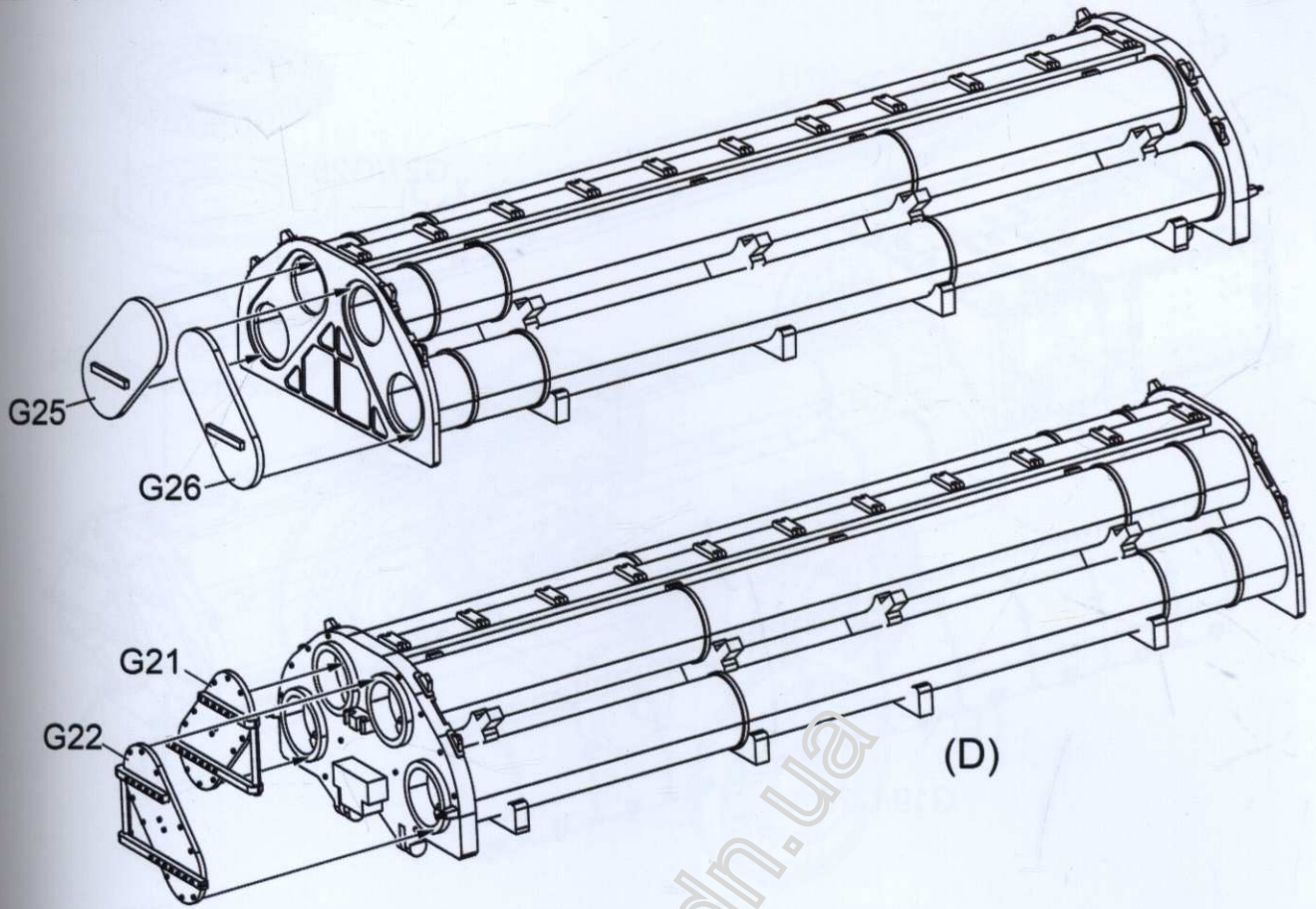
18 导弹发射结构组装 2
导弹发射结构组装 2
Attaching missile launcher parts 2





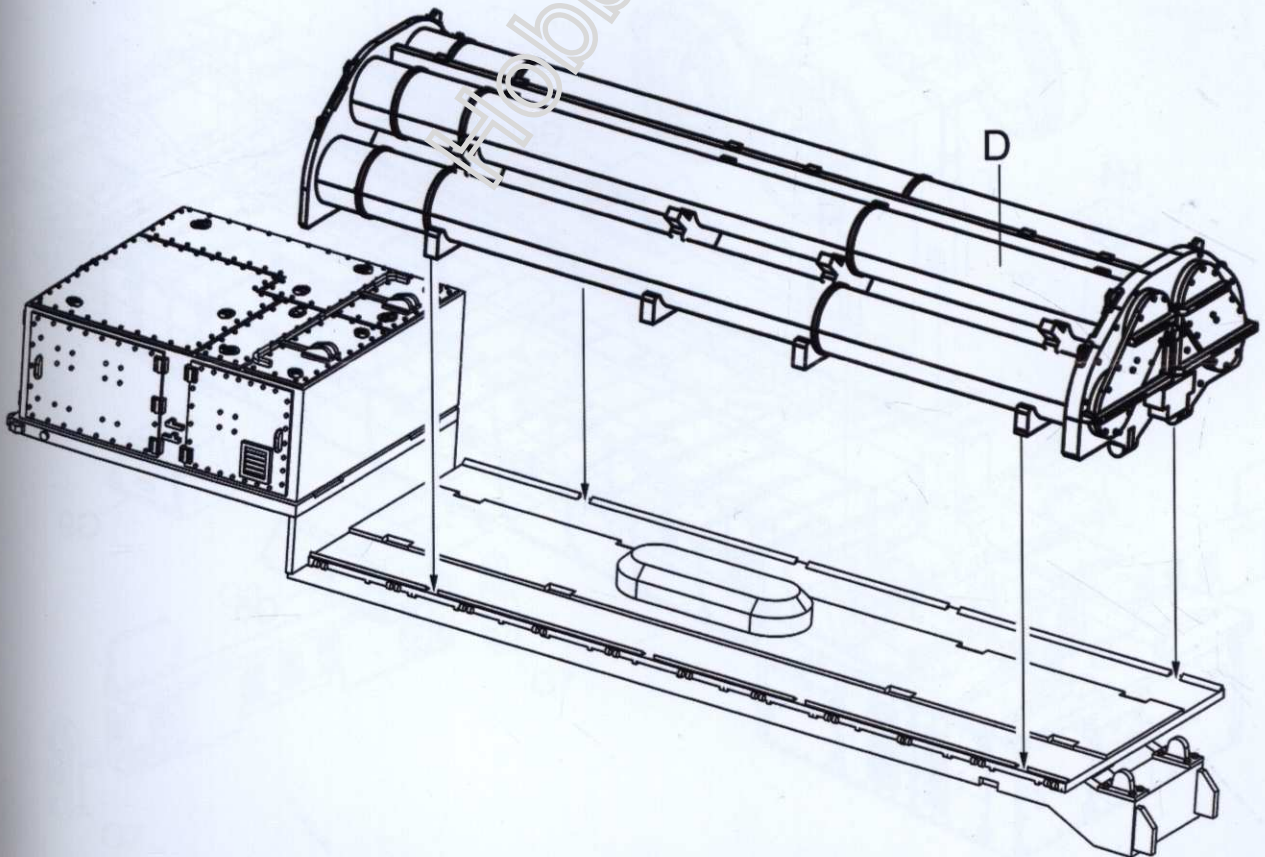
21

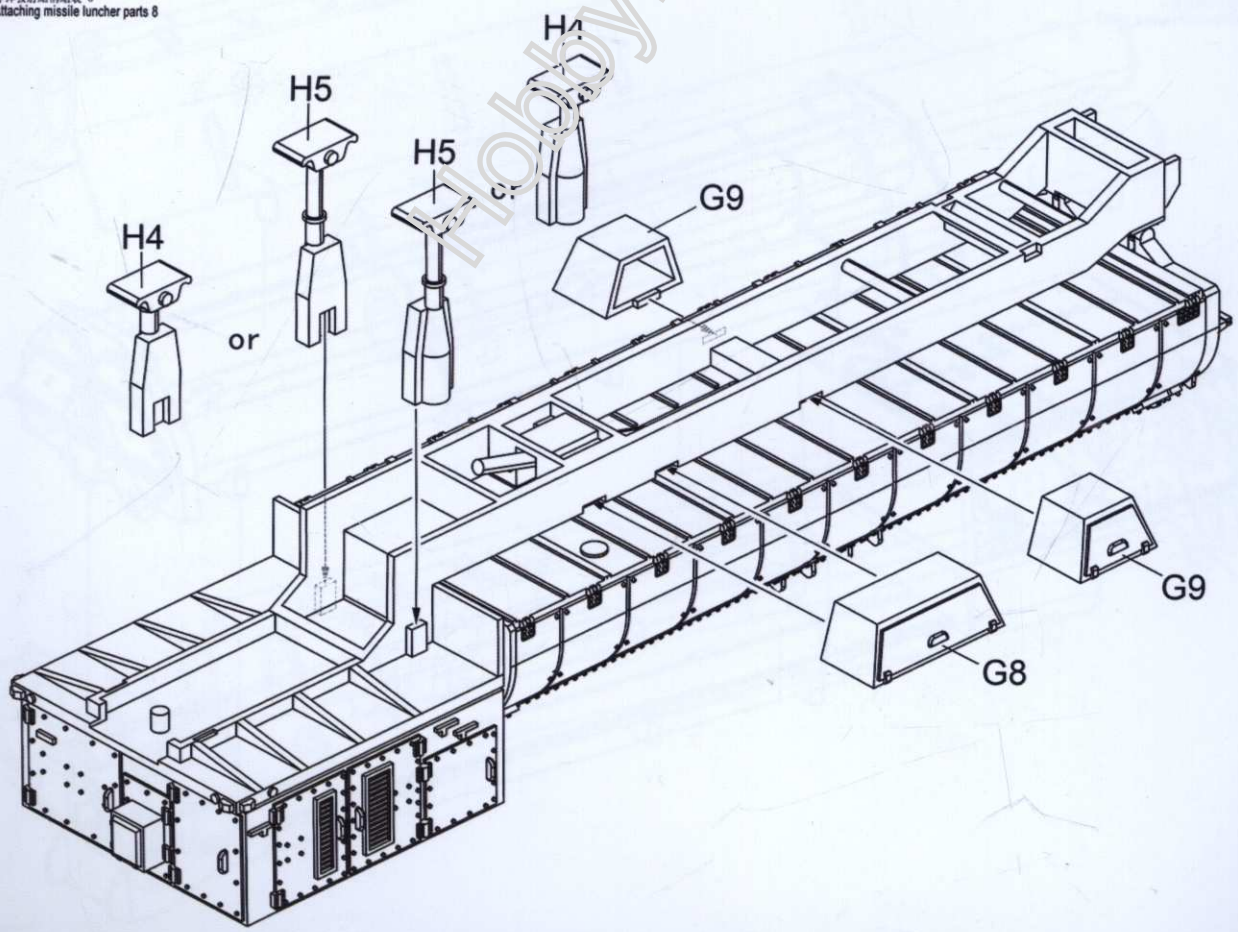
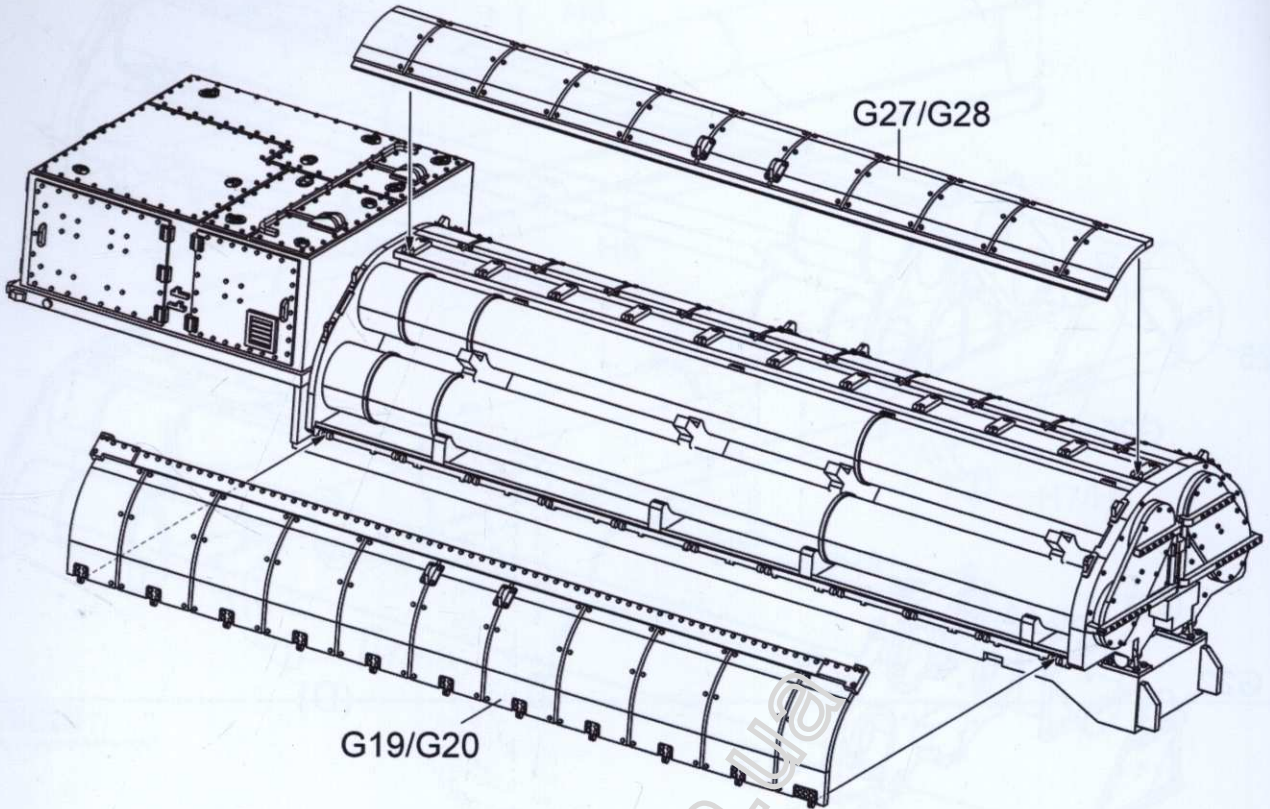
导弹发射结构组装 5
导弹发射结构组装 5
Attaching missile launcher parts 5

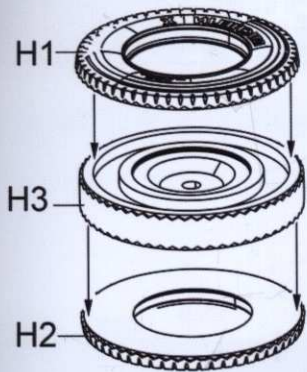


22

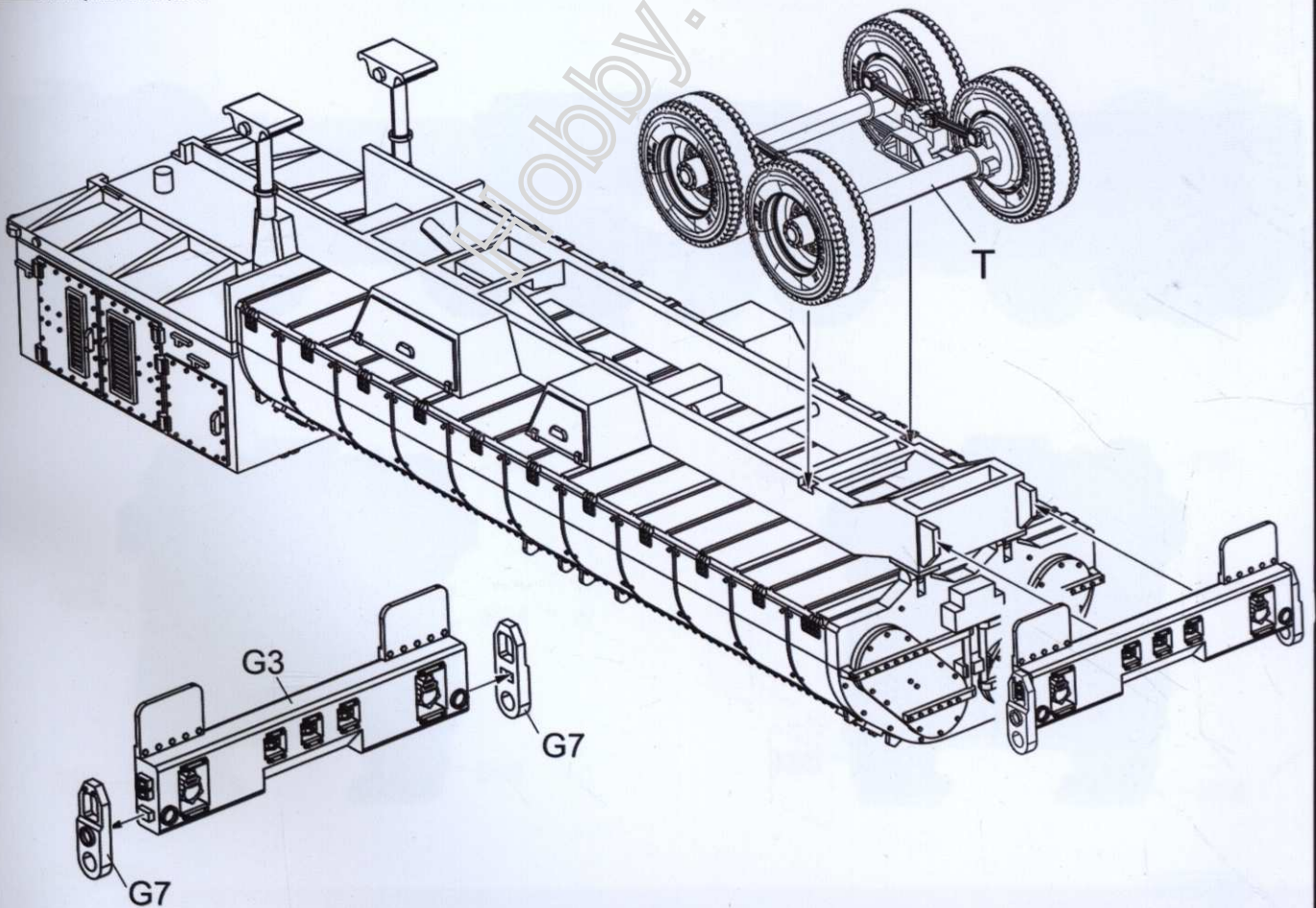
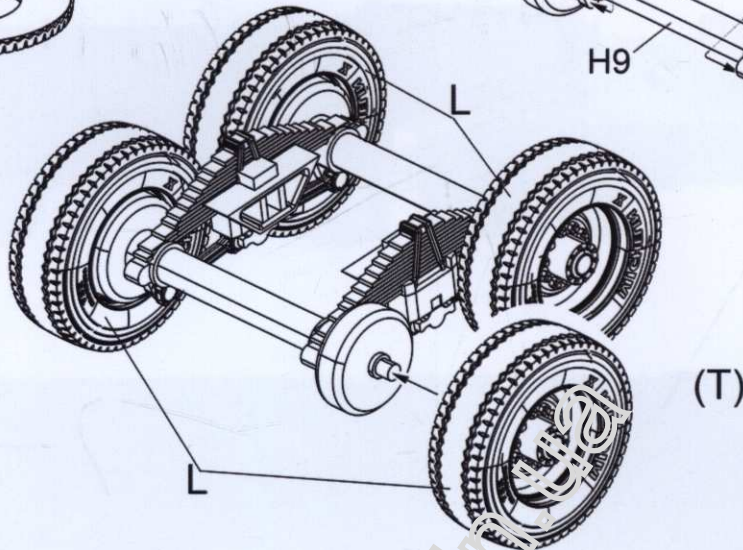
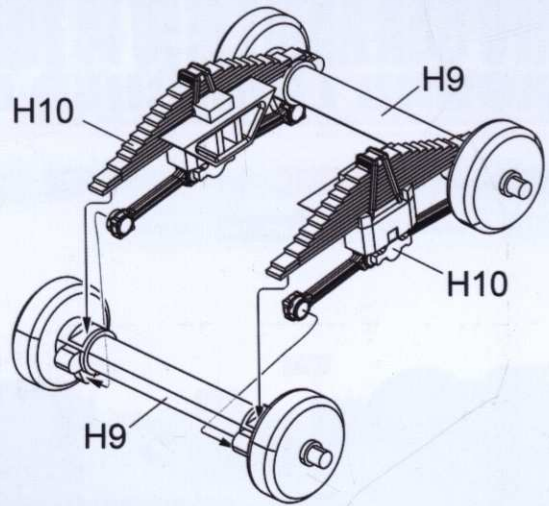
导弹发射结构组装 6
导弹发射结构组装 6
Attaching missile launcher parts 6







L X 4



NATO USA ARMY M1014 TRACTOR & BGM-109G GROUND LAUNCHED CRUISE MISSILE

modelcollect

A.MIG 033 Rubber & Tires

A.MIG 097 Crystal Orange

A.MIG 083 ZASHCHITNIY ZELENO

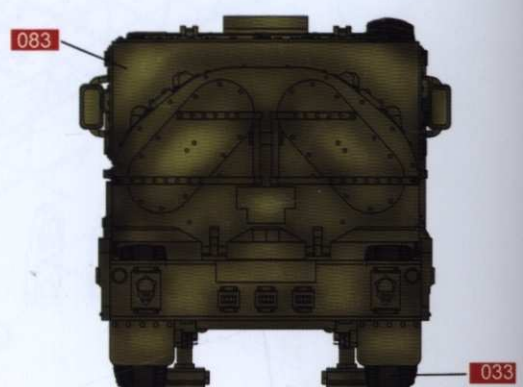
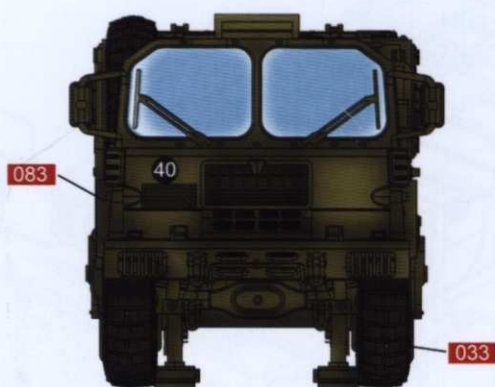
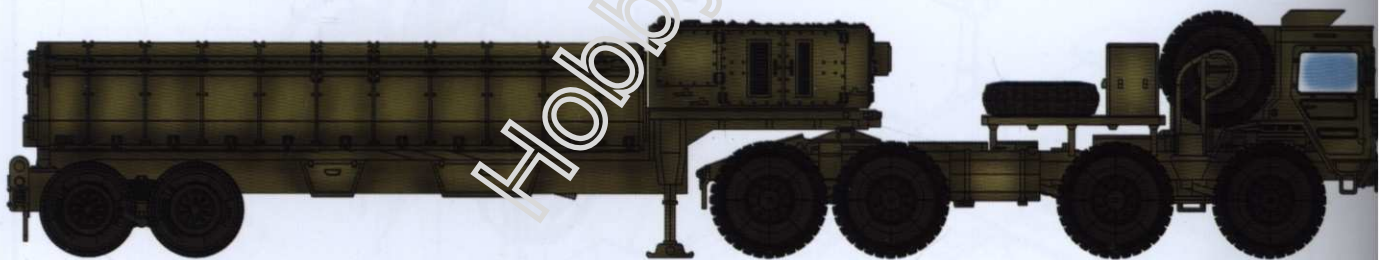
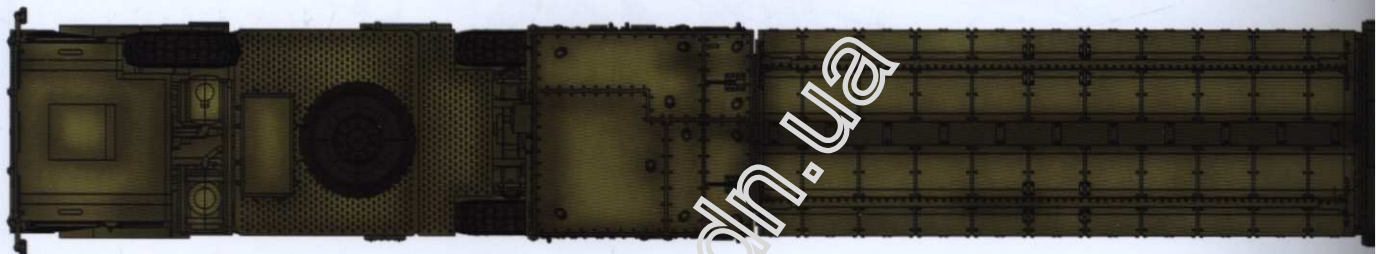
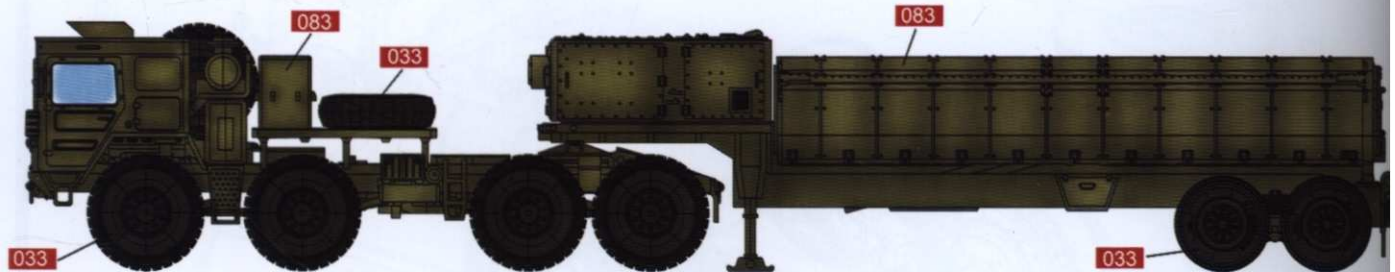
A.MIG 057 Yellow Grey

A.MIG 047 Satin White

A.MIG 0191 Steel

A.MIG 187 JET EXHAUST BURNT IRON

A.MIG 192 POLISHED METAL



MODELCOLLECT

Color info and profiles by



NATO USA ARMY M1014 TRACTOR & BGM-109G GROUND LAUNCHED CRUISE MISSILE

modelcollect

A.MIG 033 Rubber & Tires

A.MIG 097 Crystal Orange

A.MIG 083 ZASHCHITNIY ZELENO

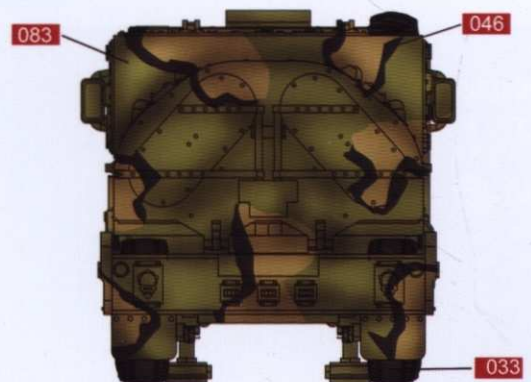
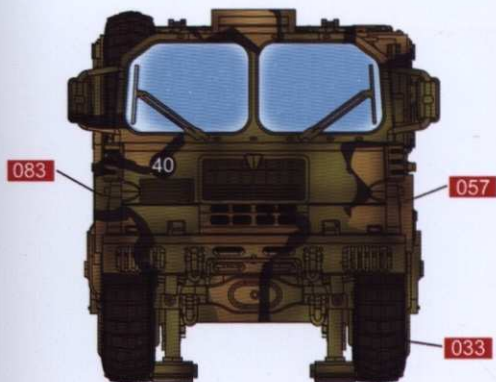
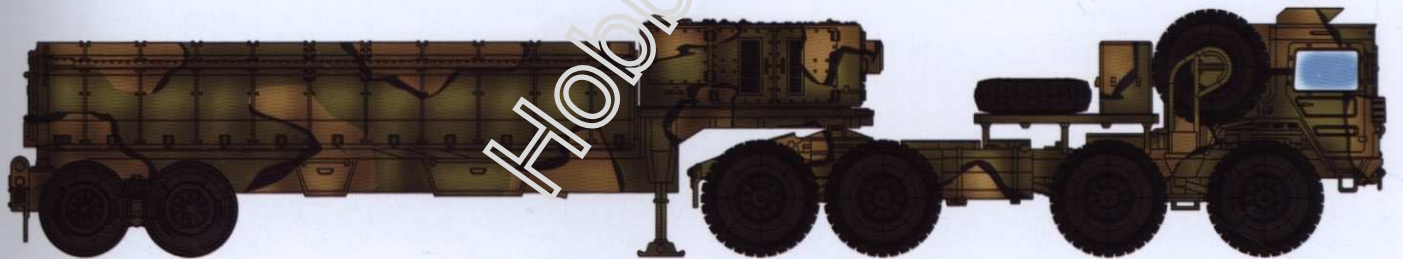
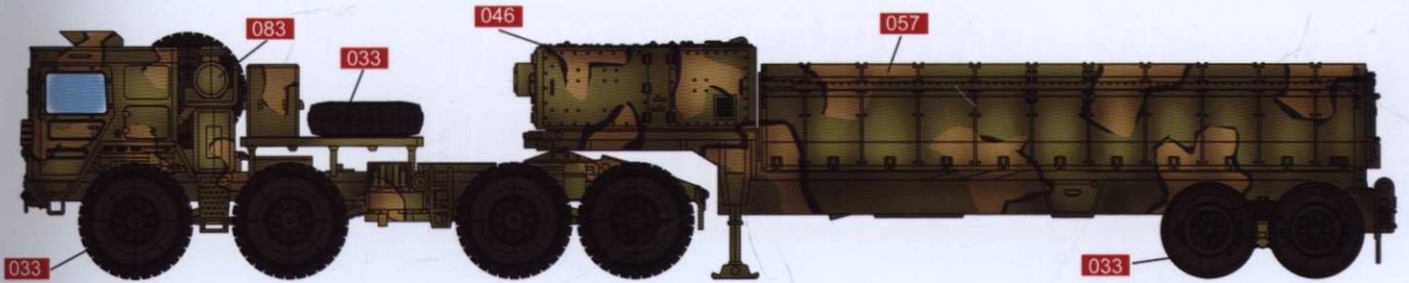
A.MIG 057 Yellow Grey

A.MIG 047 Satin White

A.MIG 0191 Steel

A.MIG 187 JET EXHAUST BURNT IRON

A.MIG 046 Matt Black



MODELCOLLECT

Color info and profiles by

