

FIST OF WAR GERMAN E-75 AUSF. VIERFÜßLER GERÄT 58

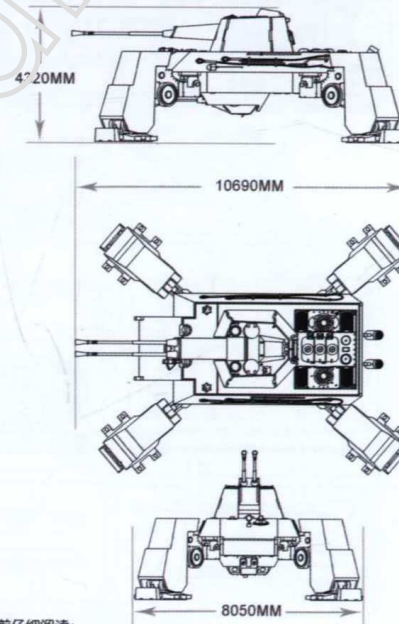


二战德国E75 Geraet58 自行机甲防空炮 战争铁拳系列



ITEM NO: UA72115

German E-75 Ausf. Vierfüßler Gerät 58	
Type	surface-to-air missile system
Place of origin	Nazi Germany
Service history	
In service	1944-1946
Wars	WWII
Production history	
Designer	Henschel & Son
Designed	1944
Manufacturer	Henschel & Son
Produced	1944-1947
No. built	225
Specifications	
Weight	72.5 tonnes
Length	10.69metres (hull) (with gun forward)
Width	8.05metres
Height	4.32metres
Crew	6 (commander, main gunner, second gunner, loader, radio operator, driver)
Armor	25-200 mm
Main armament	2 × 5 cm FlaK 41
Secondary armament	
Zwillingsflak	30mm MK 103 heavy anti-aircraft gun
Engine	6x metal V-12 liquid-cooled HL 230 P Diesel engine 1400 PS
Operational range	
Road	25/ km
Cross country	10/ km
Speed Maximum	
Sustained, road	40 km/h
Cross country	40 km/h

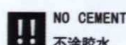
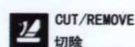
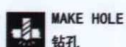
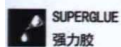


●READ BEFORE ASSEMBLY

1. When you use glue or paint, do not near flame, and use in a well-ventilated room.
2. Take extra care in handling photo etch parts in order to avoid injury
3. When you take parts off the runner frame, use modeling scissors and trim excess plastic with a cutter or a file.
4. Glue and paint are not included.
5. This product is only suitable for experienced more than 14 years old.

●装配之前仔细阅读:

1. 勿在近火处使用胶水或油漆, 并打开窗户保持空气流通。
2. 取蚀刻片时应特别注意安全, 防止利边划伤手指。
3. 从胶架中取出部件时, 应用模型专用剪, 并用界刀或小锉除去多余的胶料。
4. 请使用塑料胶水和油漆, 模型内不含。
5. 本产品不适合14岁以下没有经验的模型爱好者。



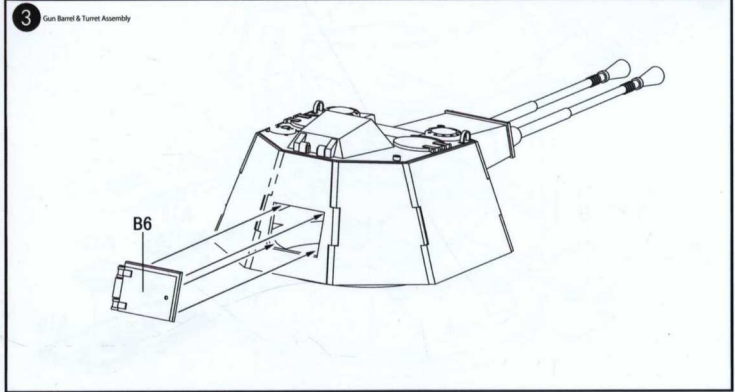
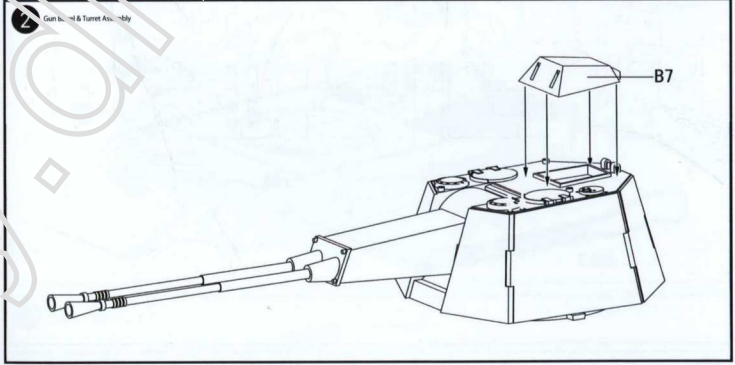
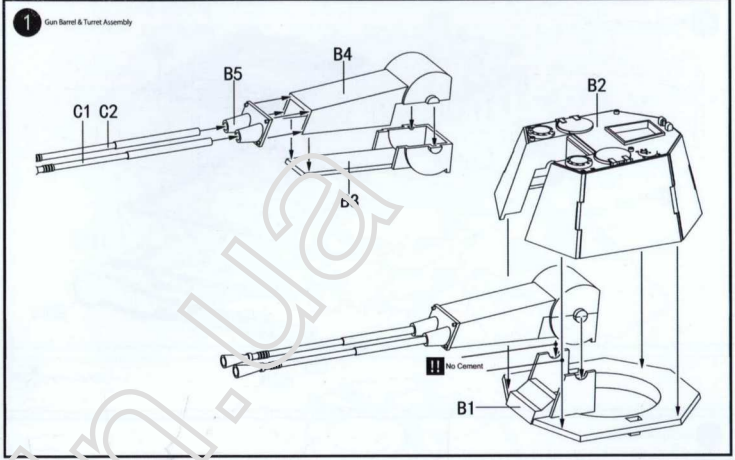
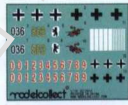
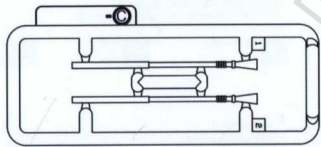
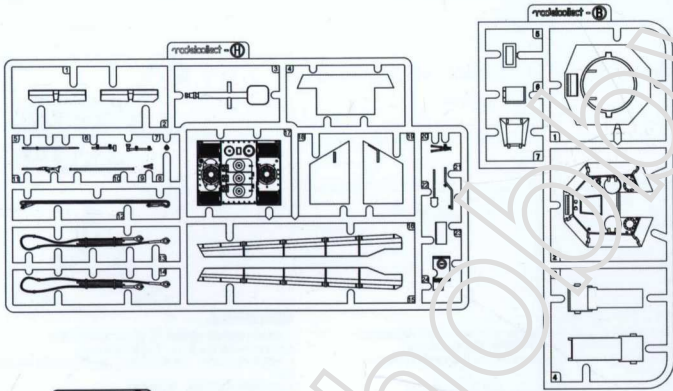
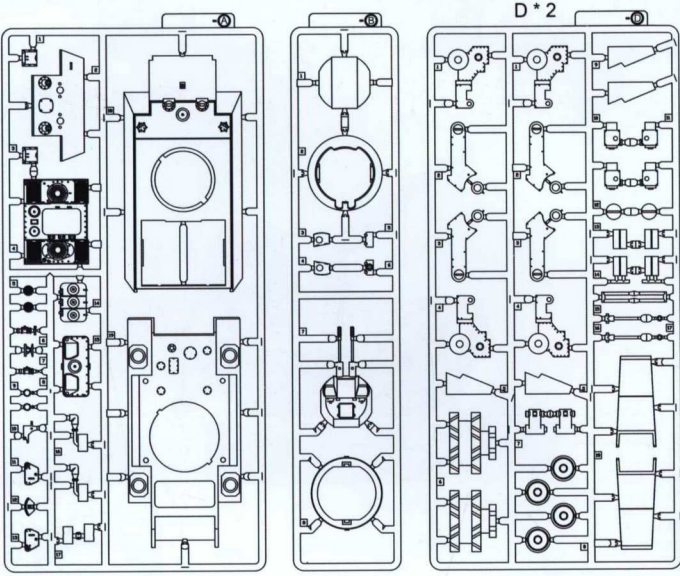
DECAL APPLICATION

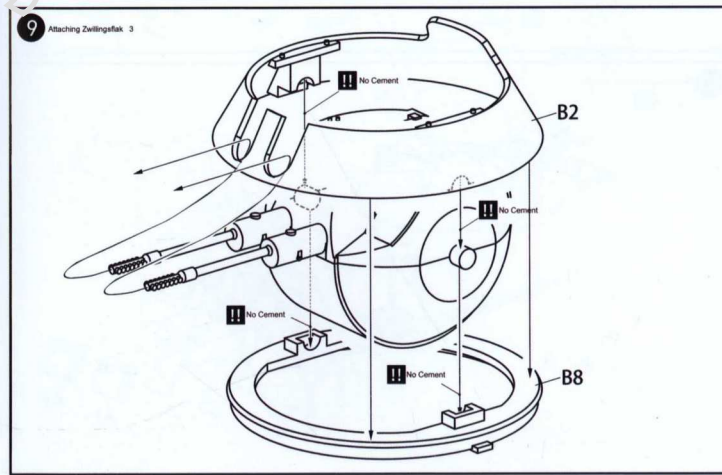
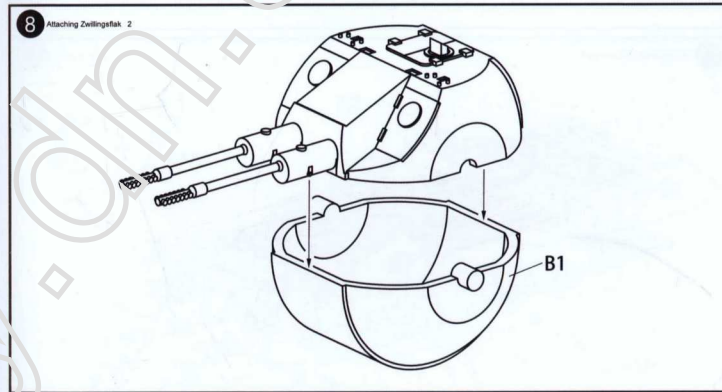
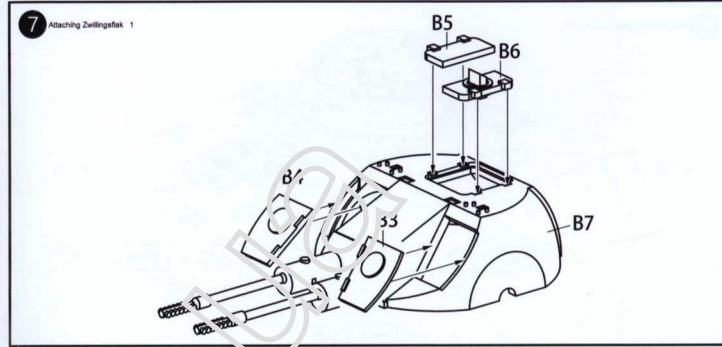
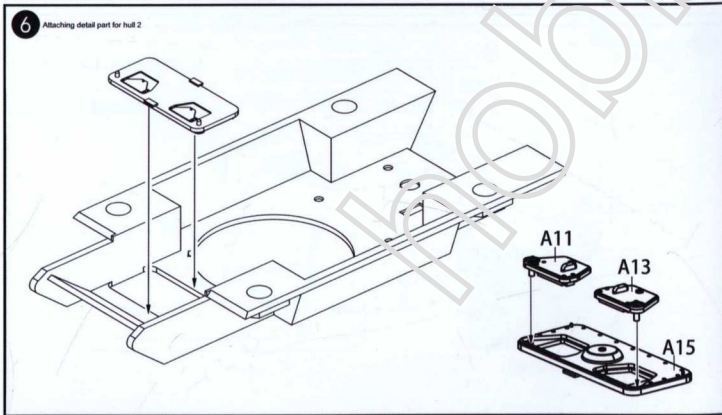
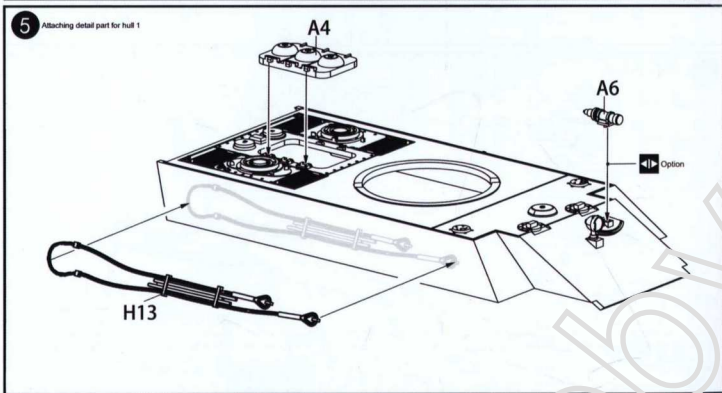
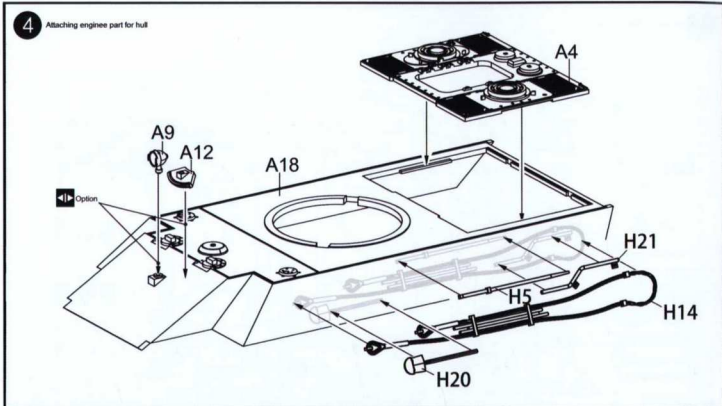
1. Cut off decal from sheet.
2. Dip the decal in tepid water 40° C for about 10 sec. and place on a clean cloth.
3. Hold the backing sheet edge and slide decal onto the model.
4. Move decal into position by wetting decal with finger.
5. Press decal gently down with a soft cloth until excess water and air bubbles are gone.

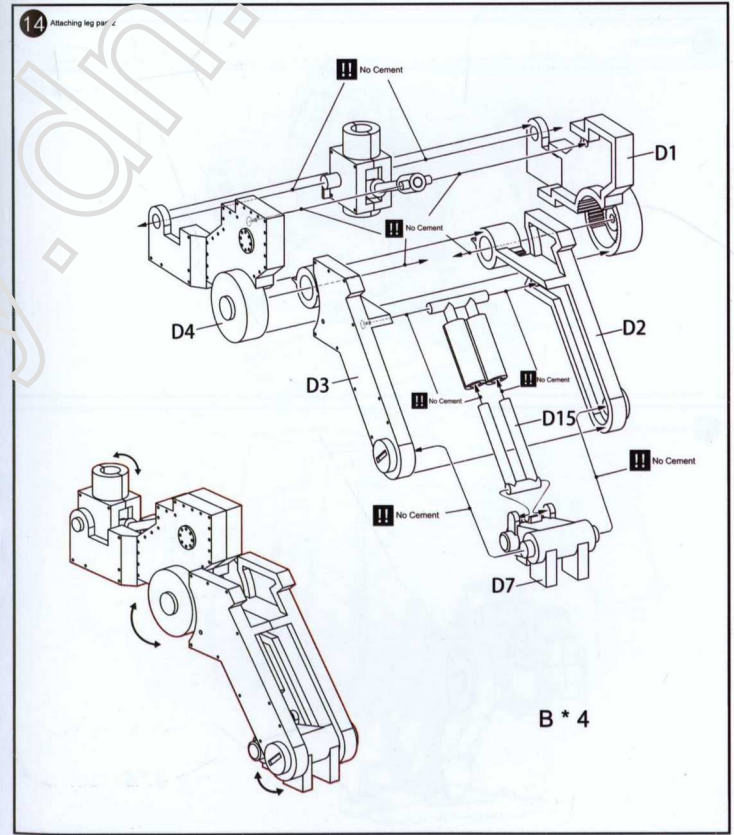
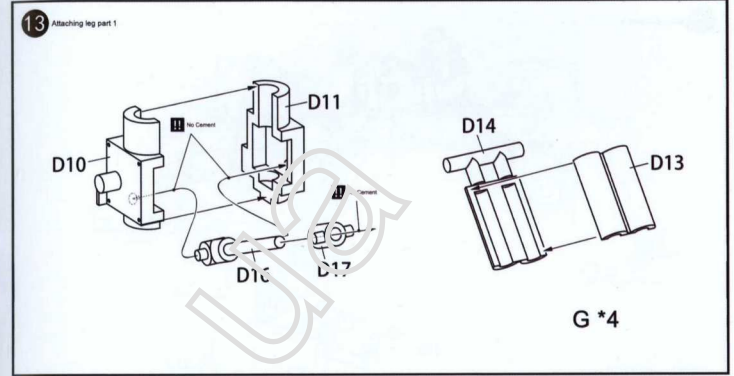
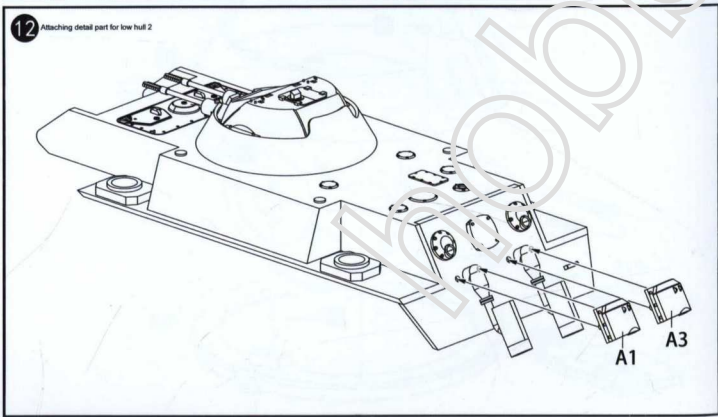
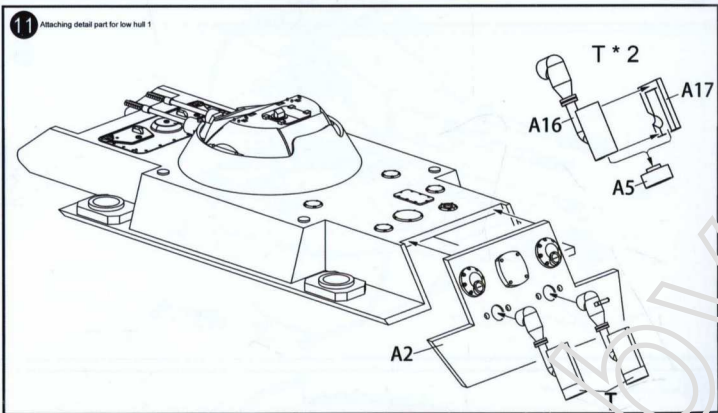
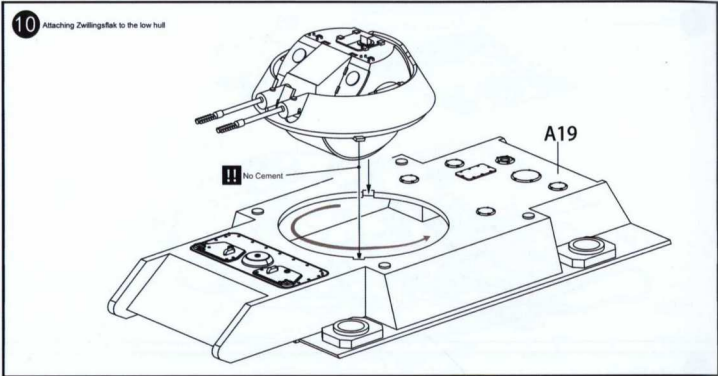
水贴纸的使用:

1. 从水贴上剪下印花。
2. 将印花放入温水中浸10秒, 然后放在干净布上。
3. 拿着印花纸将印花移到模型上。
4. 手指蘸水将印花移到适当的位置。
5. 用软布轻压印花直至不干, 汽泡消失。

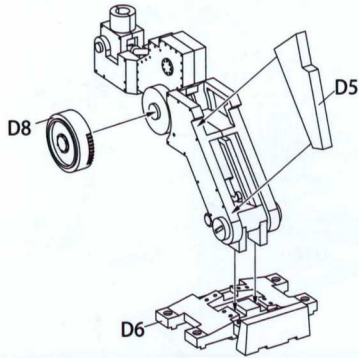
Parts



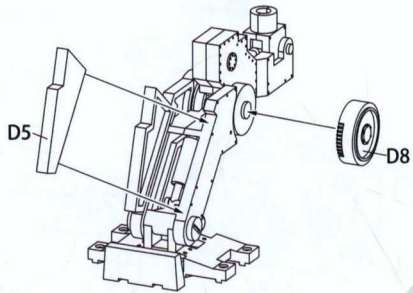




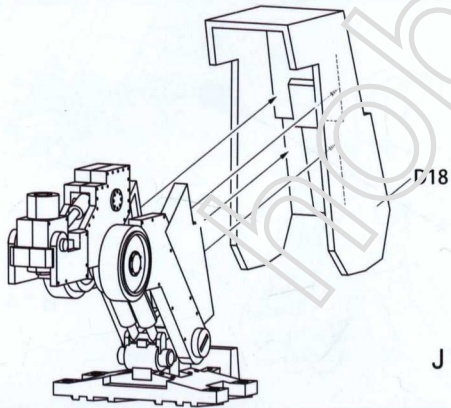
15 Attaching leg part 3



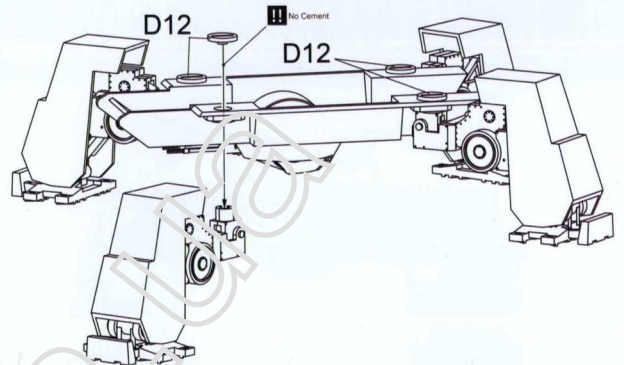
16 Attaching leg part 4



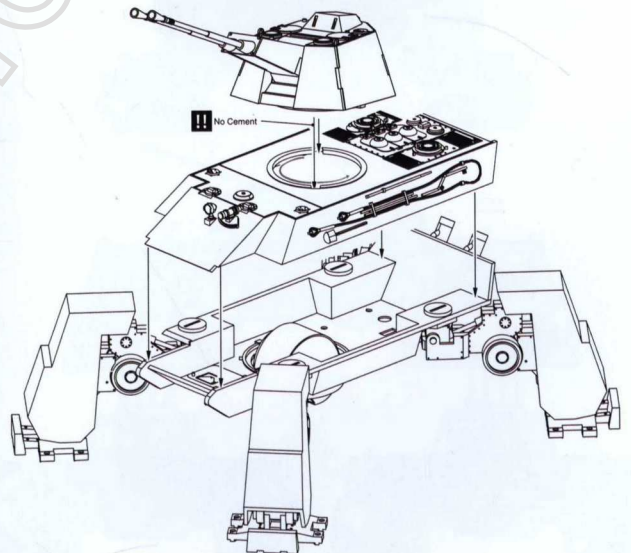
17 Attaching leg part 5



18 Attaching leg to low hull



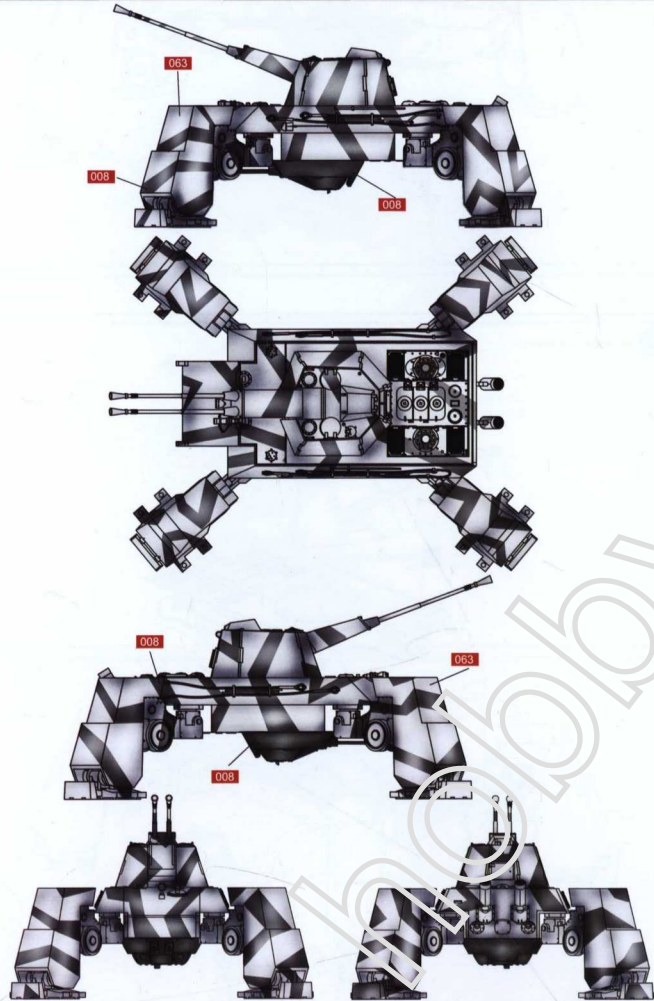
19 Attaching turret to hull on low hull



FIST OF WAR GERMAN E-75 AUSF. VIERFÜßLER GERÄT 58

modelcollect

A.MIG 011 RAL 7028 DUNKELGELB AUS 14 D01 A.MIG 014 RAL 8012 ROTBRAUN A.MIG 003 RAL 8011 REISEDÄRME A.MIG 008 Dark grey A.MIG 045 OLIV METAL A.MIG 063 PALE GREY



MODELCOLLECT

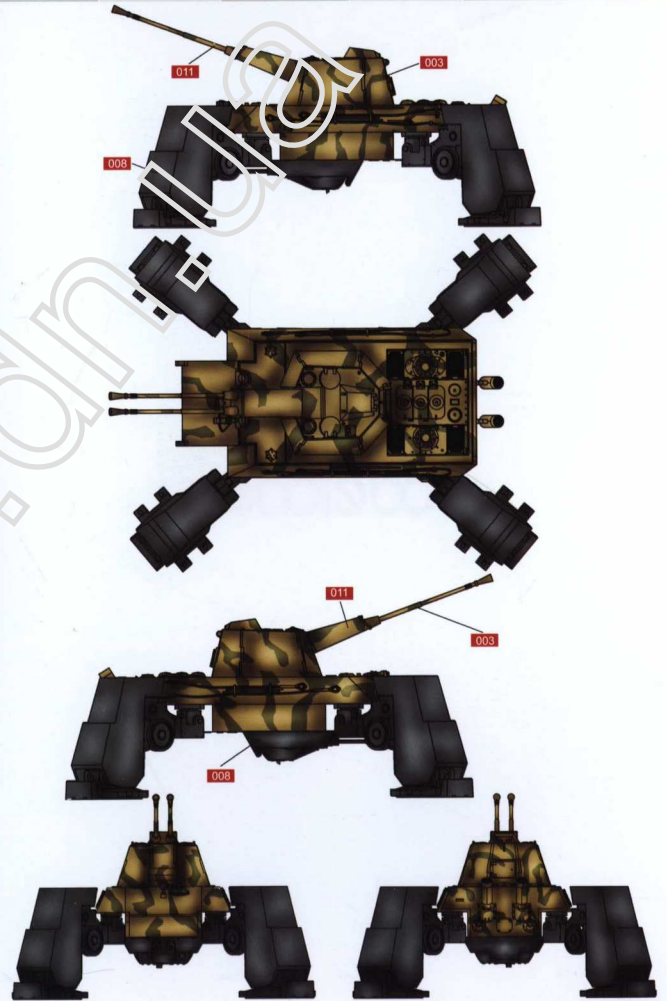
Color info and profiles by



FIST OF WAR GERMAN E-75 AUSF. VIERFÜßLER GERÄT 58

modelcollect

A.MIG 011 RAL 7028 DUNKELGELB AUS 14 D01 A.MIG 014 RAL 8012 ROTBRAUN A.MIG 003 RAL 8011 REISEDÄRME A.MIG 008 Dark grey A.MIG 045 OLIV METAL A.MIG 063 CRYSTAL SMOKE



MODELCOLLECT

Color info and profiles by

