


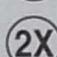



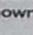
# TOYOTA CELICA SUPRA

1/25 SCALE KIT

**mpc**  
M891-200

- 5** — STEP NUMBERS
- 33** — PLASTIC PART NUMBERS
- \*133** — PLATED PART NUMBERS
-  — OPTIONAL
-  — DO NOT CEMENT
-  — CEMENT HERE ONLY
- 2X** — REPEAT SEVERAL TIMES
-  — REMOVE
- ★** — REFER TO ....
-  — DECAL

## IMPORTANT! READ THIS FIRST

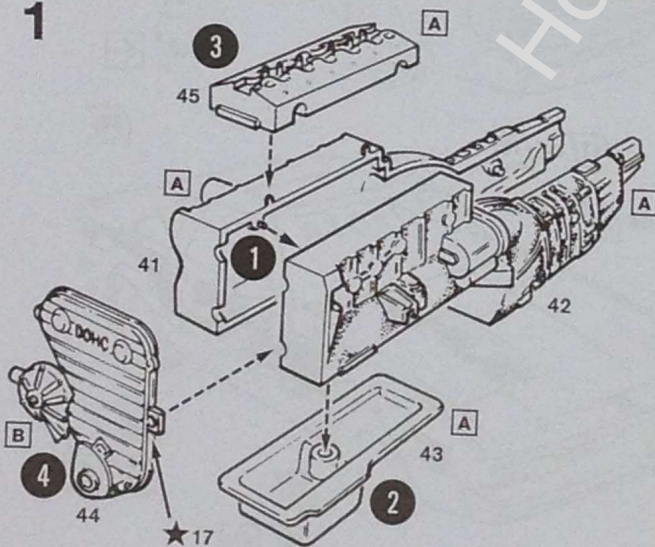
- Study assembly drawings carefully before starting.
- Each part is identified by a part number (14).
- Plated parts will be identified by a star beside the part number (\*110).
- Scrape paint and plating from areas to be cemented.
- Before cement is used, check the fit of each part.
- Use only enough cement to join parts.
- Apply cement to small parts with a toothpick.
- Use cement made for styrene plastic only.
- Allow paint to dry thoroughly before handling.
- Your model may be painted to match the box photos.
- Cement all parts except where Do Not Cement symbol  is shown.
- Follow the step numbers **5** in each assembly drawing.
- ★ Refer to other assembly drawing for location.

TOYOTA This vehicle body is approved by TOYOTA MOTOR CORPORATION. GENERAL MOTORS Trademarks used under license to Round 2, LLC. MPC is a registered trademark of Round 2, LLC. ©2022 Round 2, LLC, South Bend, IN 46628 USA. Product made in the USA. Packaging materials, tires, and clear parts made in China. All rights reserved.

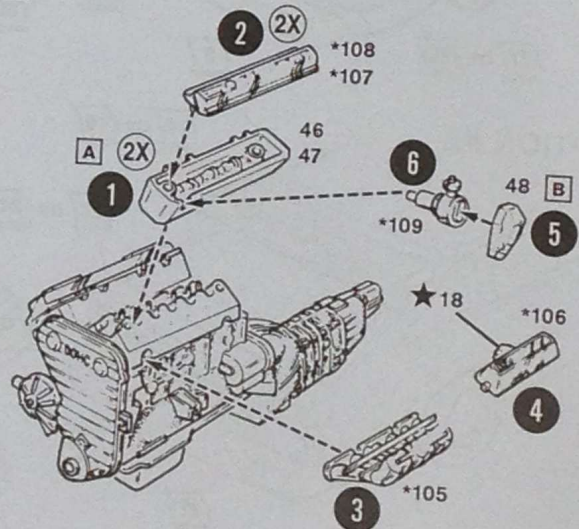
## PAINTING GUIDE

A	SILVER
B	FLAT BLACK
C	GLOSS BLACK
D	WHITE
E	GREY
F	TAN
G	RED
H	YELLOW
I	ORANGE
J	BLUE

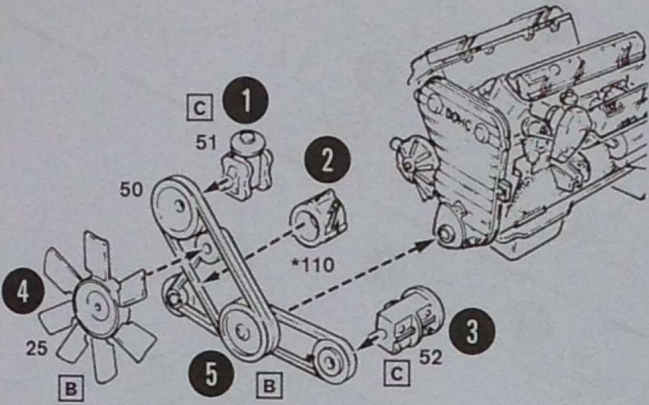
**1**



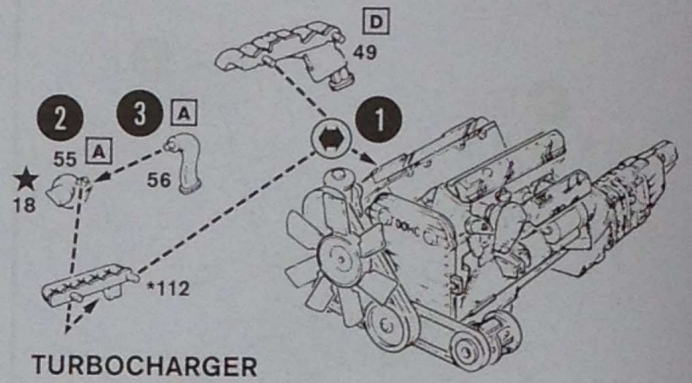
**2**



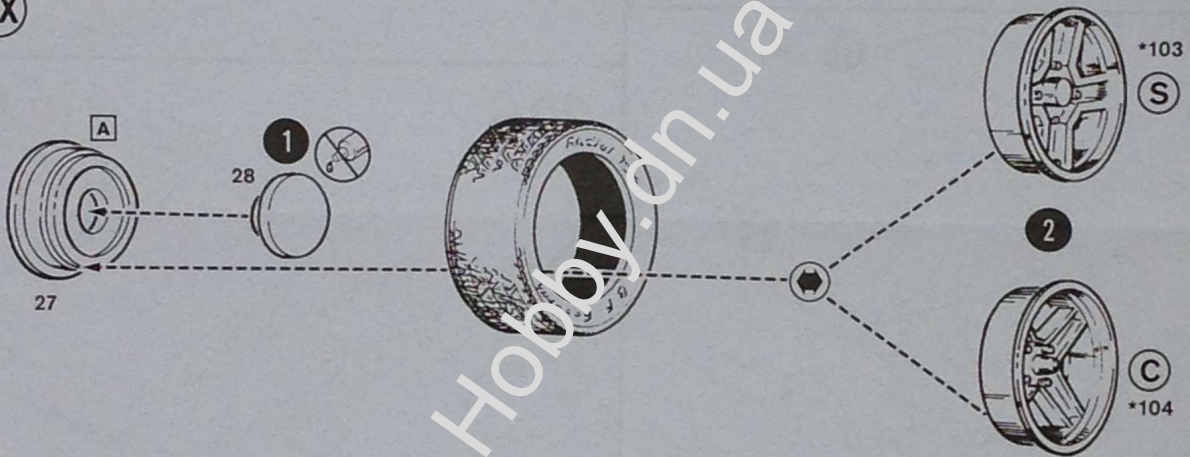
3



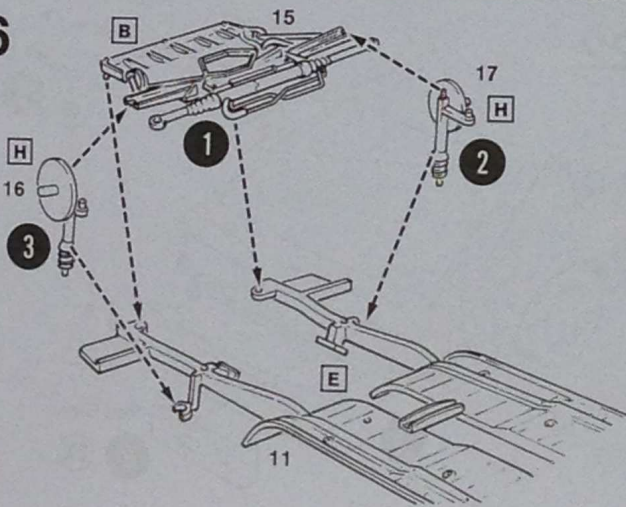
4



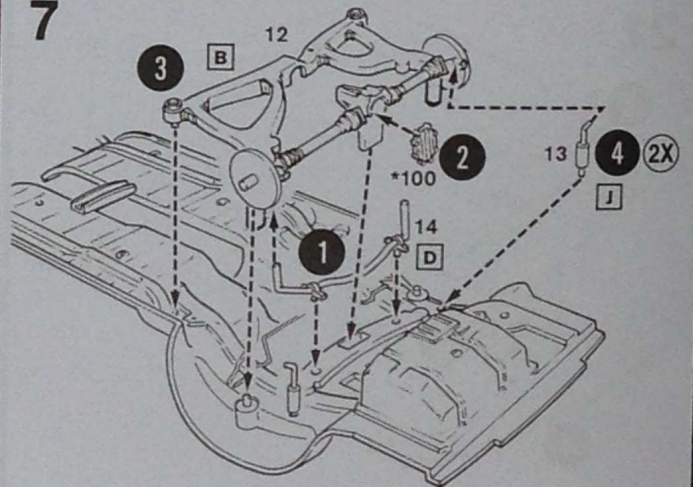
5 (4X)



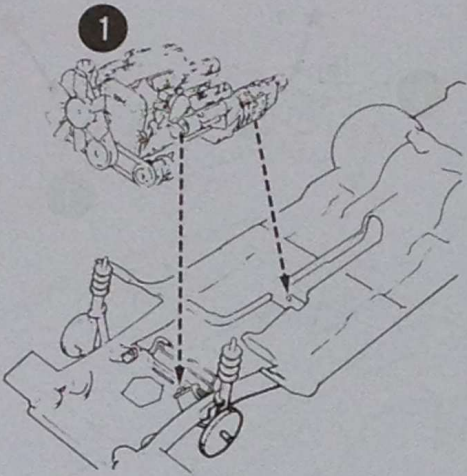
6



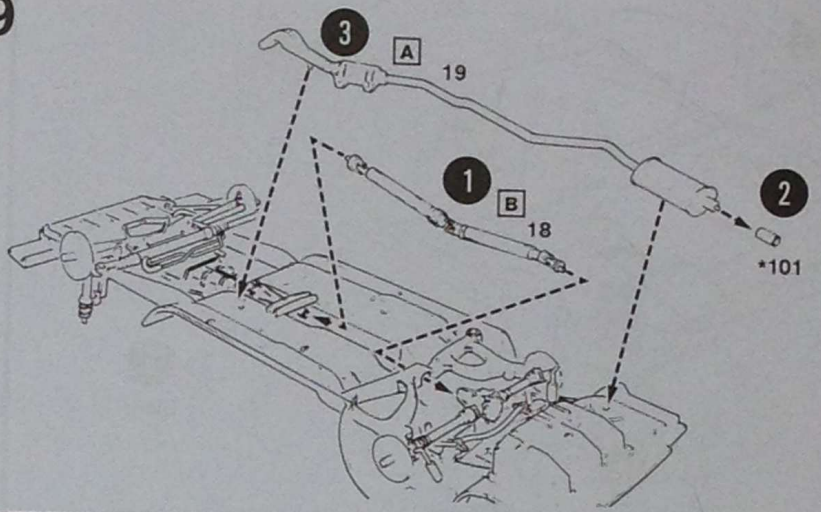
7



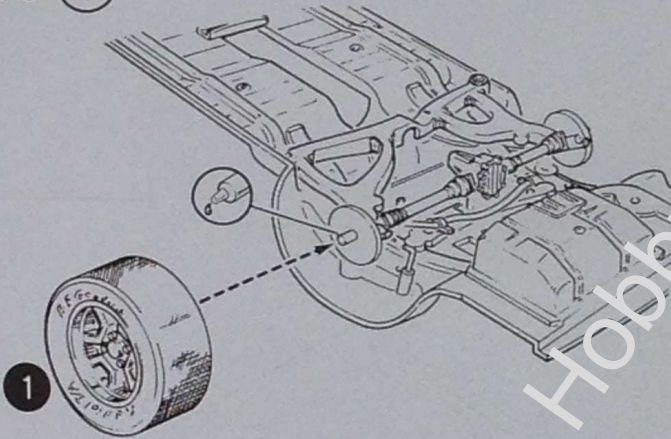
8



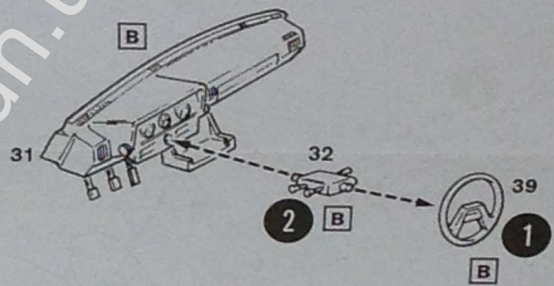
9



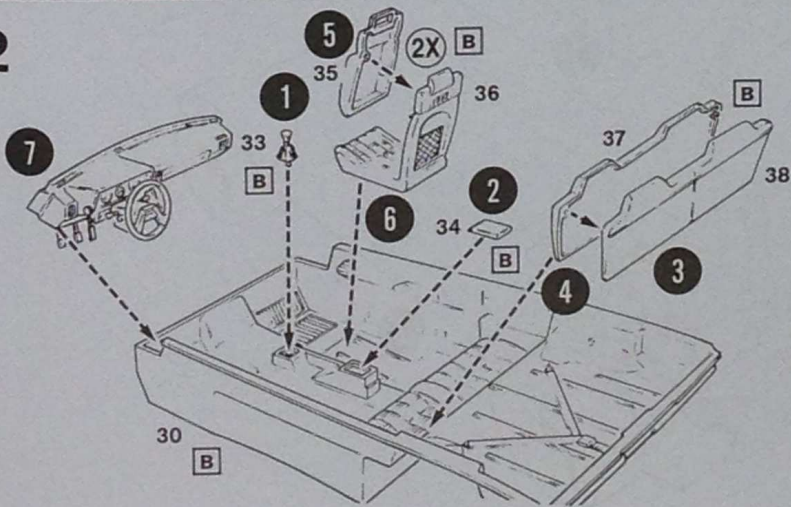
10 (4X)



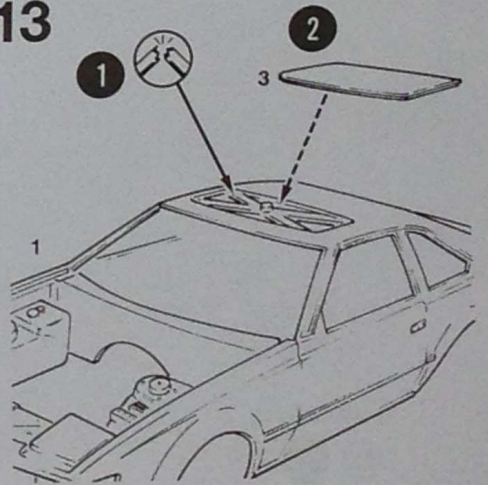
11



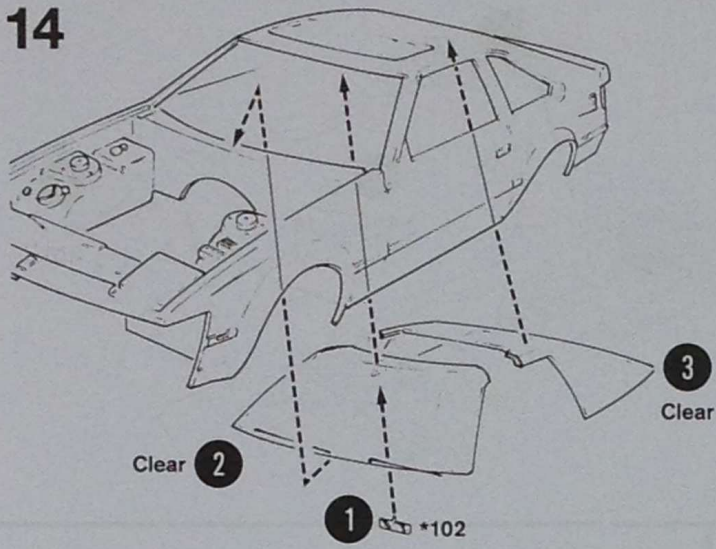
12



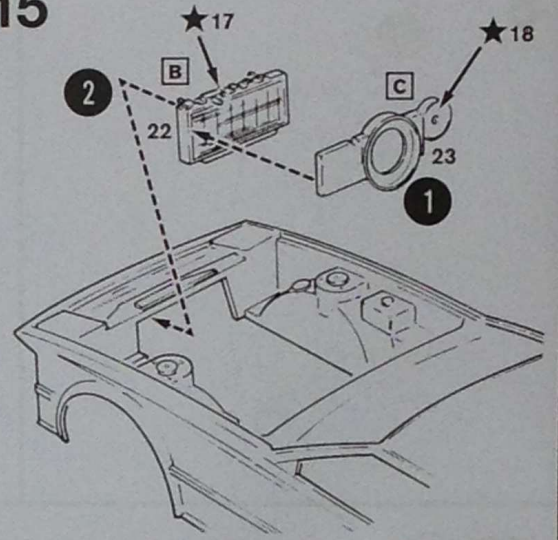
13



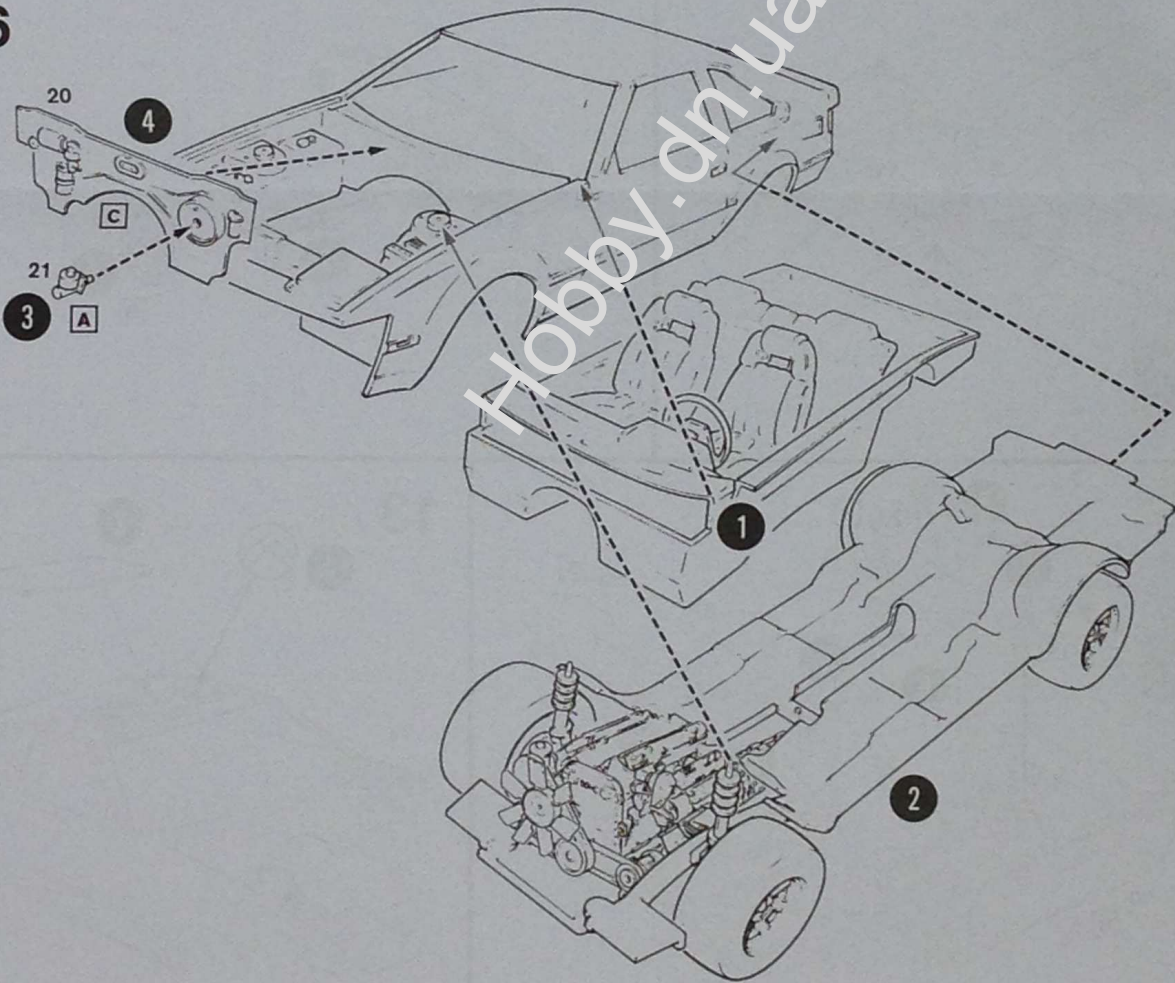
14



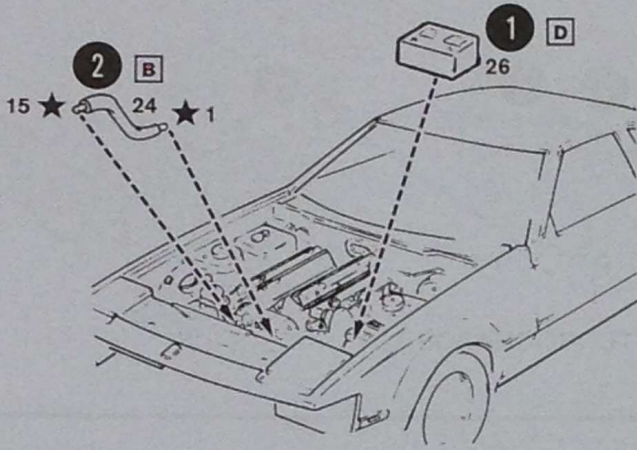
15



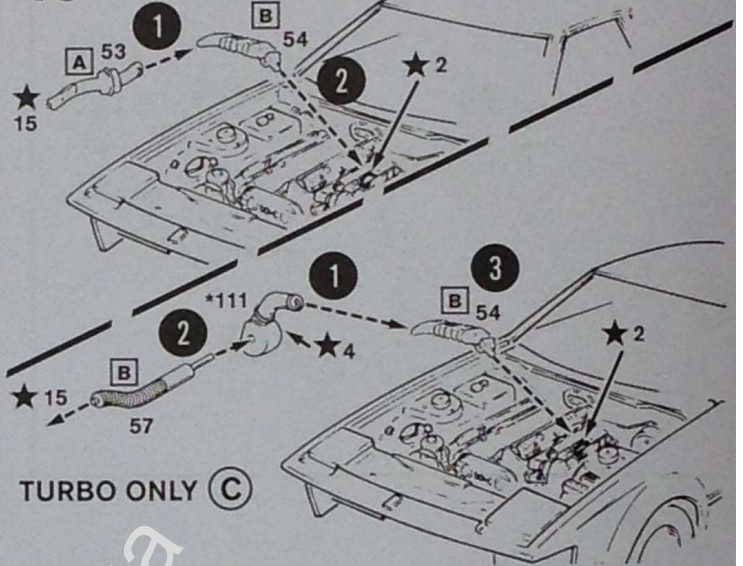
16



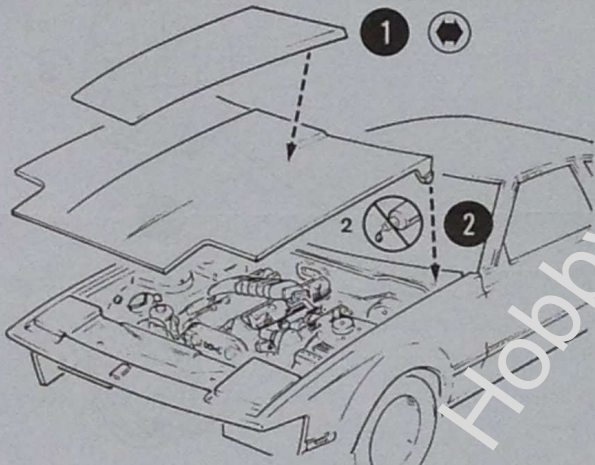
17



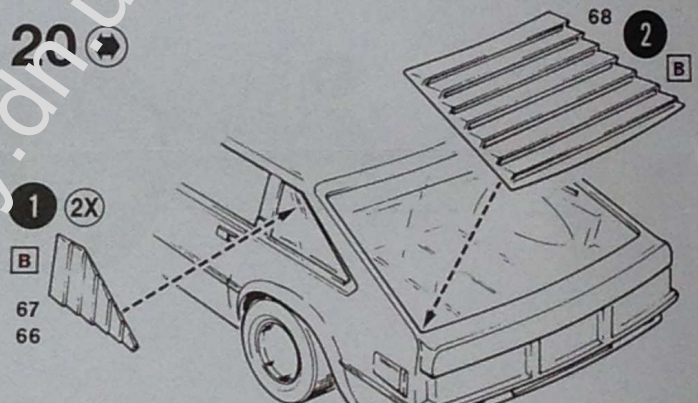
18 STOCK ONLY (S)



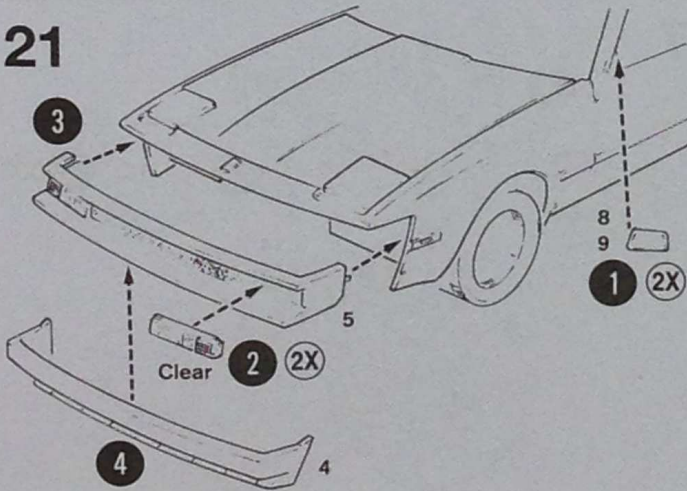
19



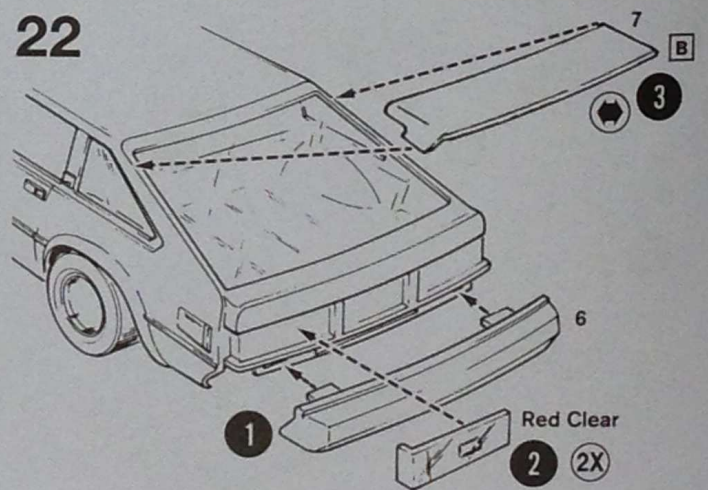
20



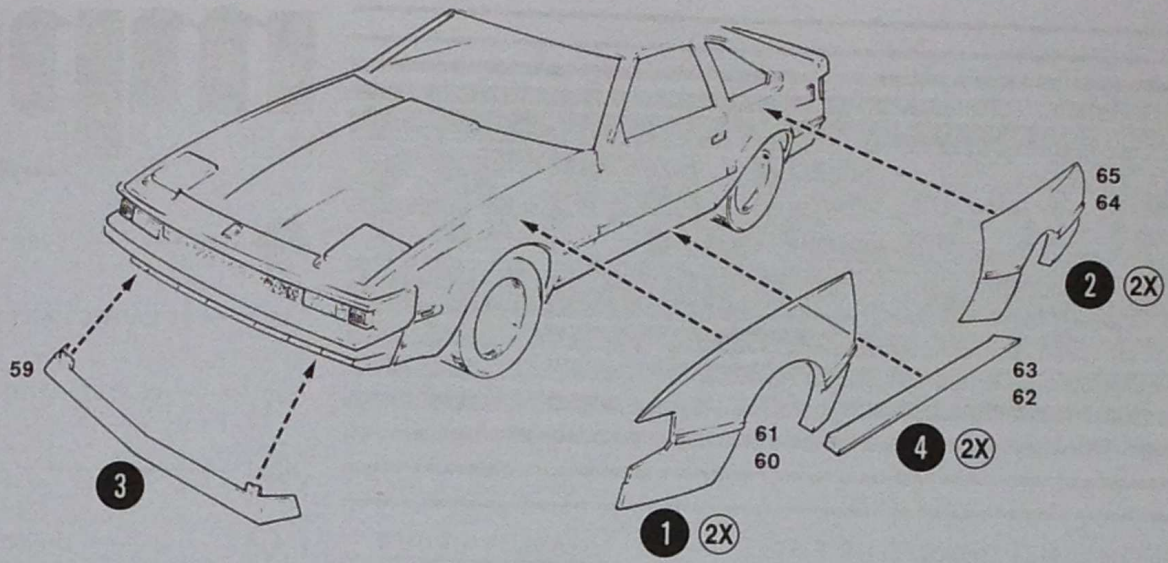
21



22

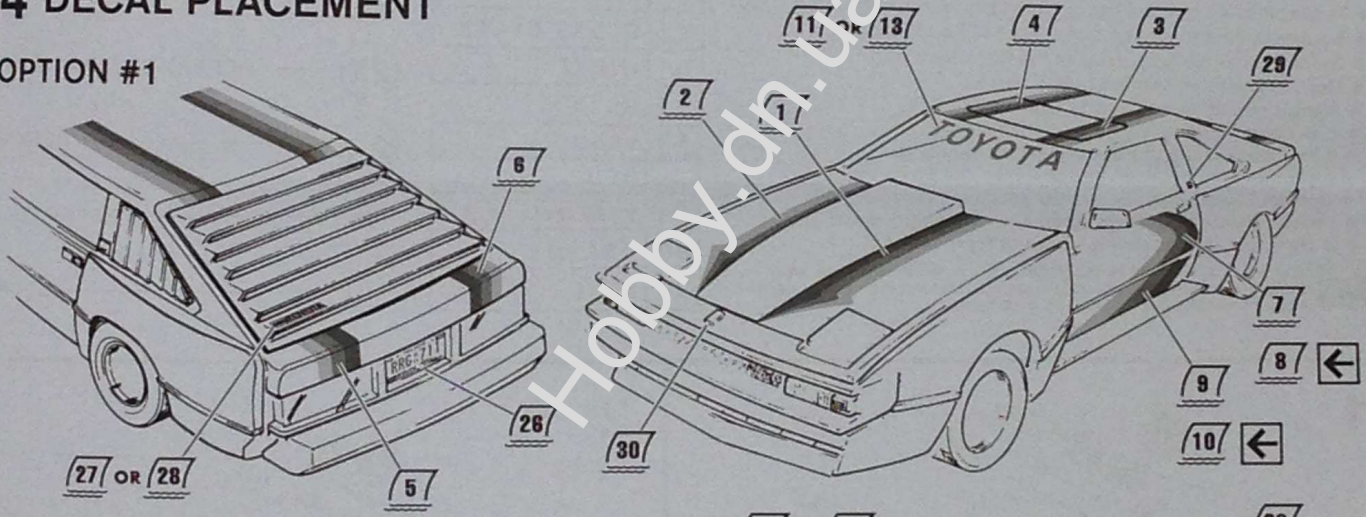


23



## 24 DECAL PLACEMENT

OPTION #1



OPTION #2

