



# USER MANUAL

产品安装说明书

# PH 35024



1/35 scale

# Kurganets-25 BTR (OBJECT 693)

库尔干人-25 装甲运兵车 (693工程)

Hobby.dn.ua

## READ BEFORE ASSEMBLY

组装前请仔细阅读

1. Study and understand these instructions thoroughly before beginning assembly  
组装前请仔细阅读以下内容
2. When needed, remove photo-etch parts carefully using a modeling knife or photo etch sprue cutter, be careful not to damage or lose small parts  
请使用专业模型工具仔细去除蚀刻片或胶件上需要剪下的部分，小心不要损坏或丢失
3. Take extra care in handling photo etch parts in order to avoid injury  
在处理蚀刻片的部分时请格外小心，以避免伤害
4. Apply instant cement sparingly to photo etch parts were instructed  
用强力快干胶水粘合蚀刻片零件和金属轴，过量使用快干胶水可能导致可动零件粘住，小心涂胶
5. Tools recommended(not included in kit): Plastic and instant cements, sprue cutters, long nose pliers, modeling knife, small files, tweezers, pin vise & scissors. Soft cloth and sandpaper will also assist in construction  
推荐模型工具(自备): 胶水、水口剪刀、长咀钳、刀片、锉刀、镊子、钳、钻、剪刀、瞬间快干胶  
软布与砂纸同时也应该是必备工具，请使用塑料胶水和油漆(模型内不含)
6. Glue and paint are not included in the kit. Use plastic cement and hobby paints only. Color guide for purchasing paint is included in the kit.

## ICON INSTRUCTION

图标说明



Optional  
选择



Bending  
折弯



Do not stick  
不涂胶水



Decal  
水贴纸



Remove  
切除



Drilling  
钻孔



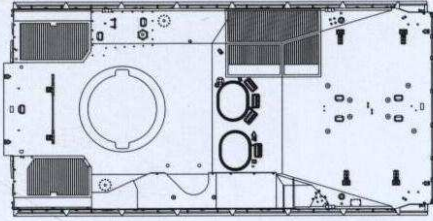
Fill  
填补



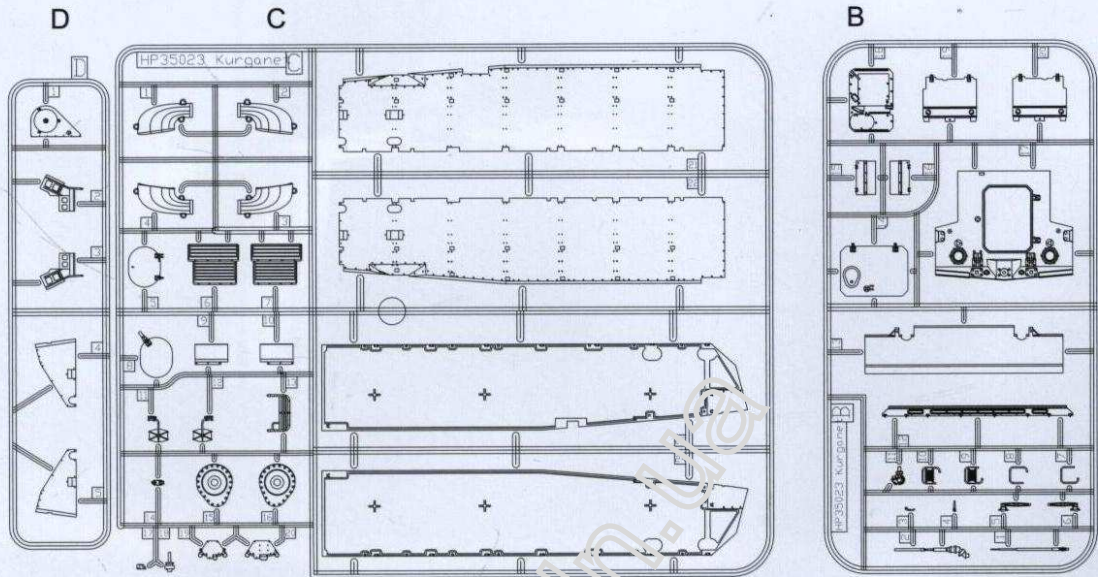
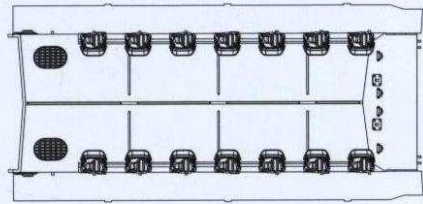
Weight  
配重



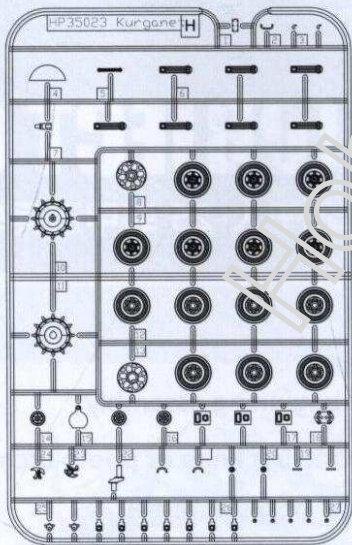
车面



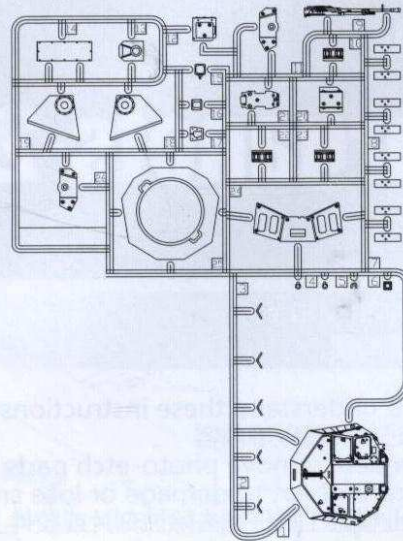
车底



HX2



E



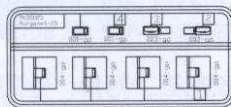
T X 12



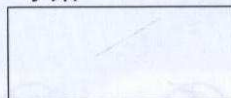
T X 6



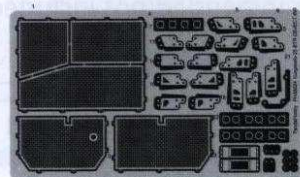
GP  
透明件



Decal  
水贴



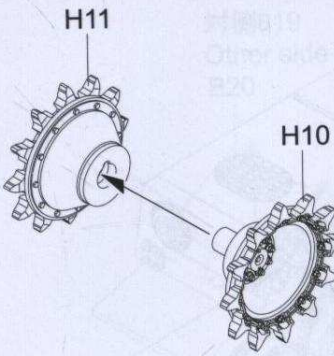
PE  
蚀刻片





ASSEMBLY  
模型组装

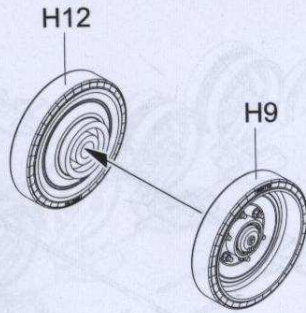
1



《主动轮》  
Sprocket wheel  
制作两组  
Make two

ASSEMBLY  
模型组装

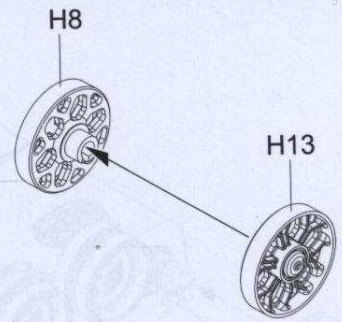
2



《负重轮》  
Road wheel  
制作十四组  
Make fourteen

ASSEMBLY  
模型组装

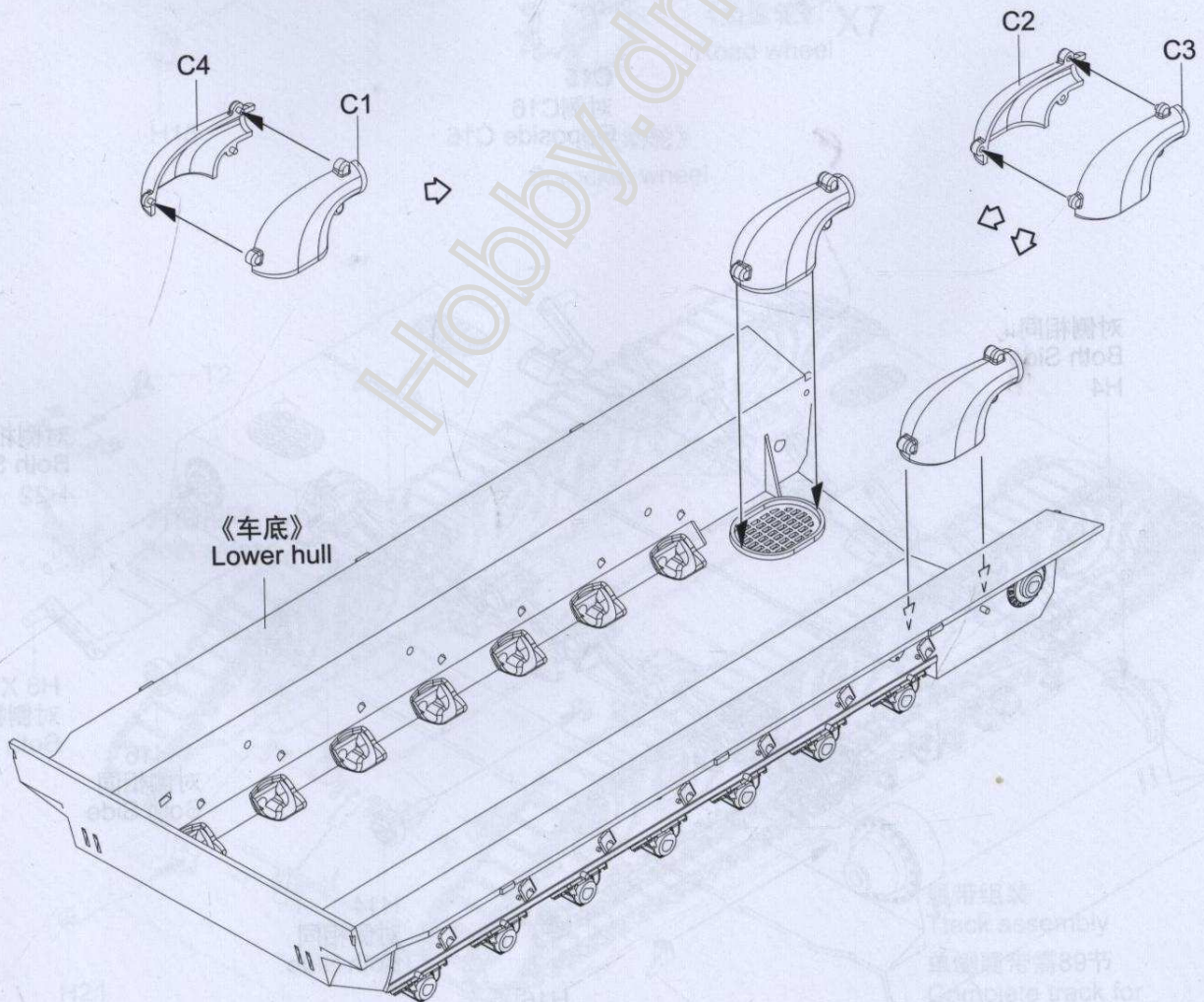
3



《从动轮》  
制作两组  
Make two

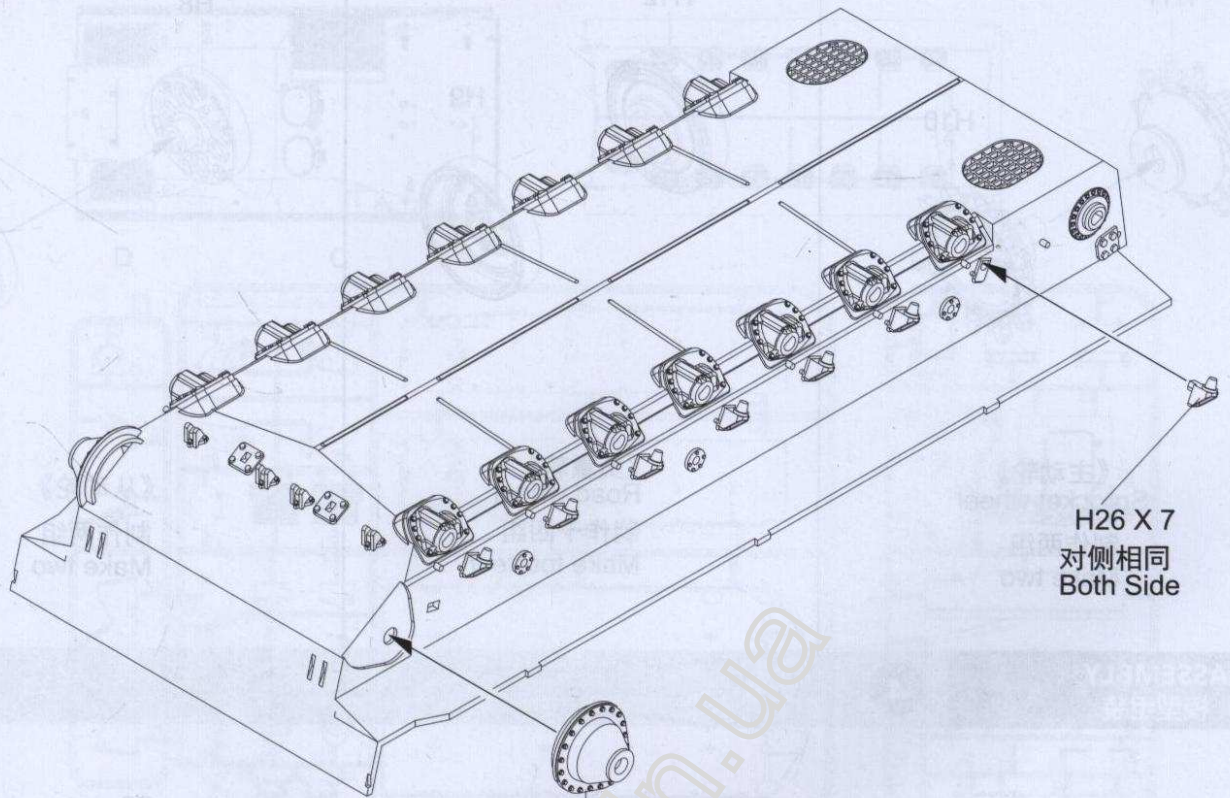
ASSEMBLY  
模型组装

4



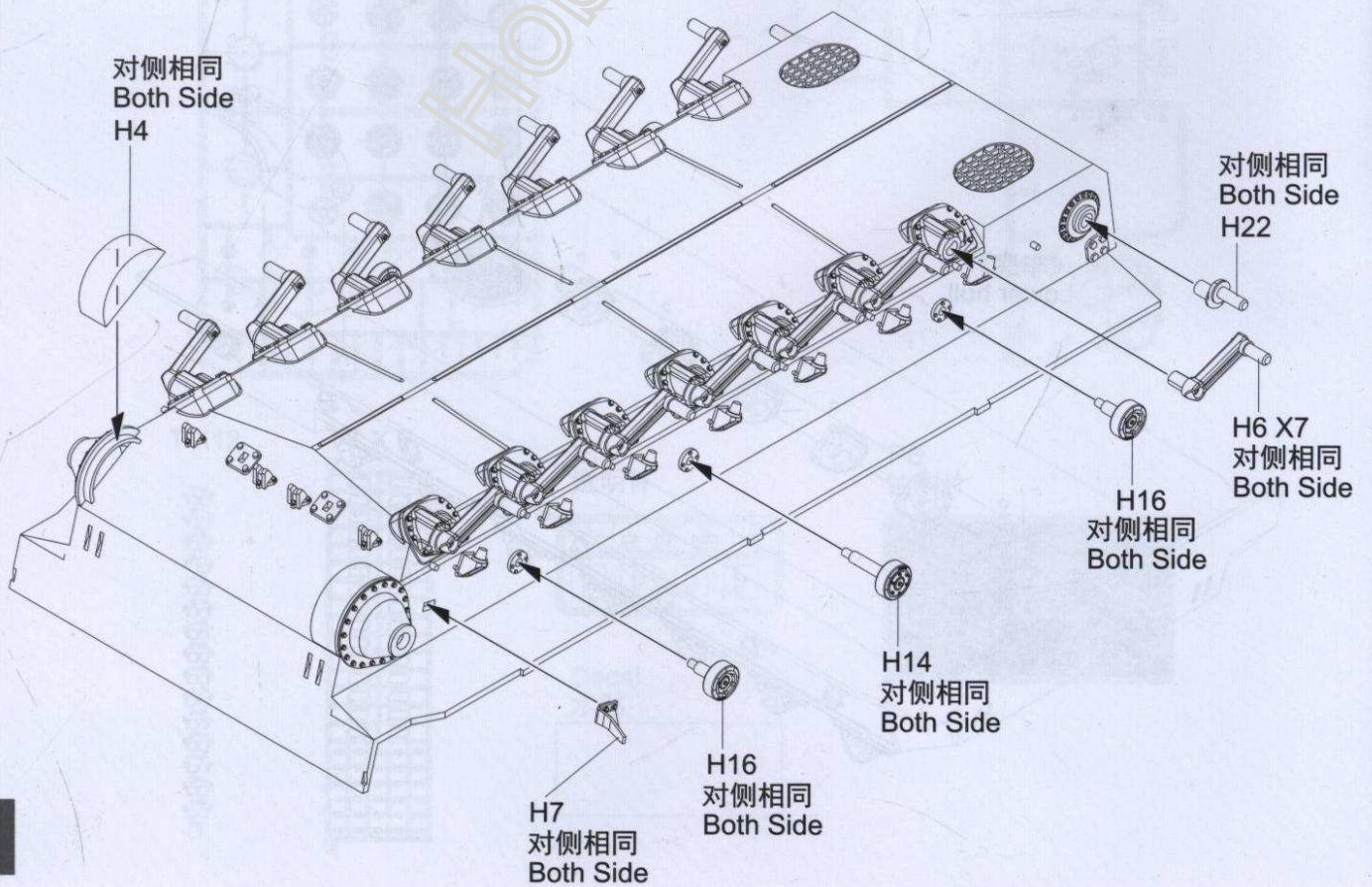
《车底》  
Lower hull





H26 X 7  
对侧相同  
Both Side

C15  
对侧C16  
Opposite C16



对侧相同  
Both Side  
H4

对侧相同  
Both Side  
H22

H6 X7  
对侧相同  
Both Side

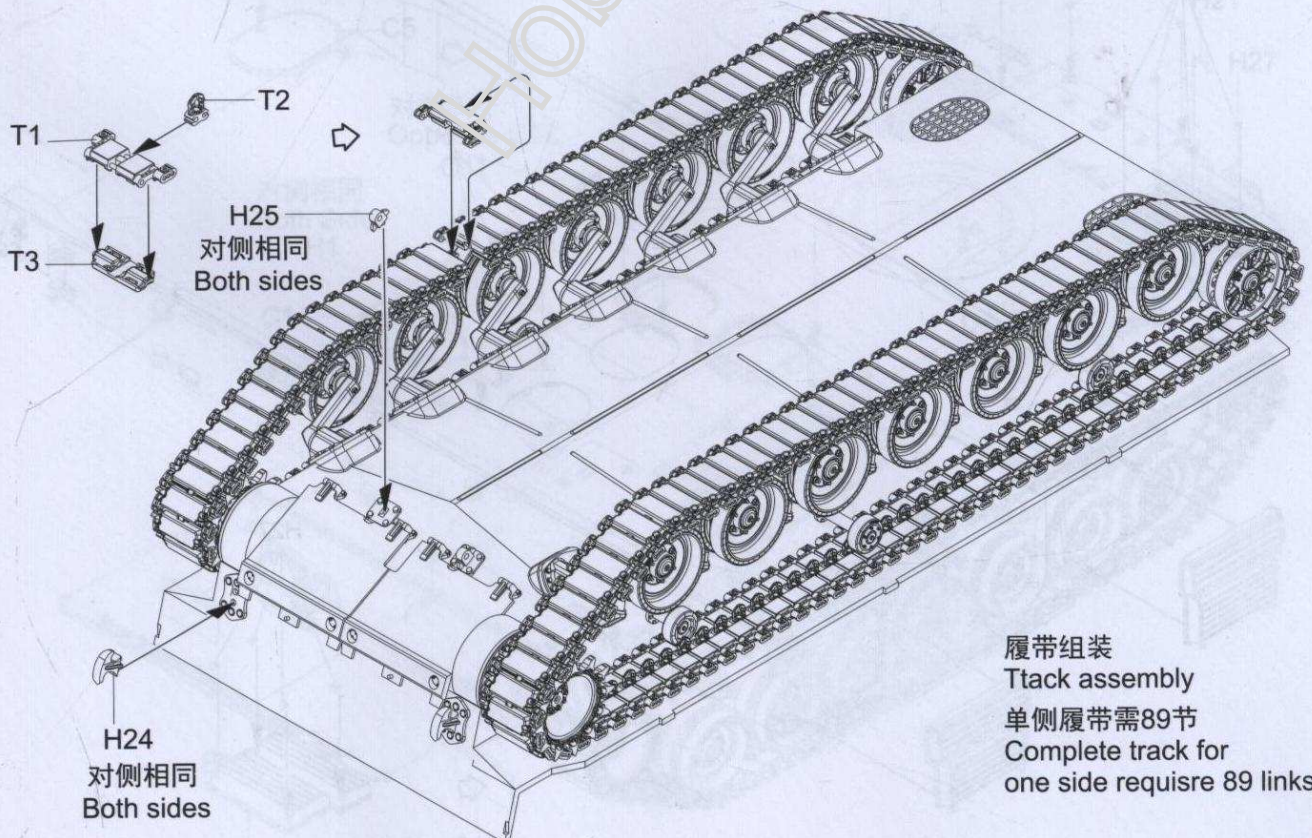
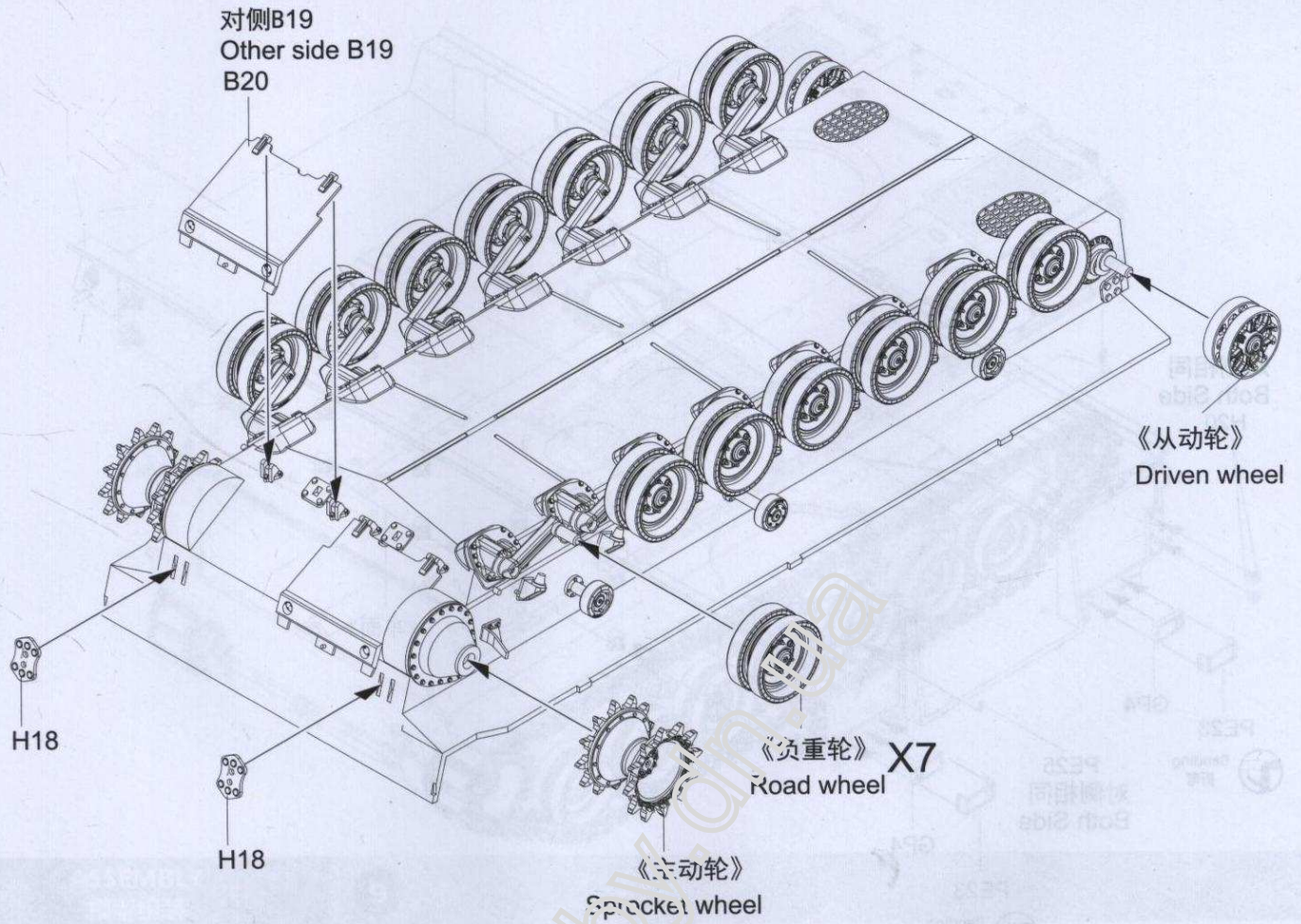
H16  
对侧相同  
Both Side

H14  
对侧相同  
Both Side

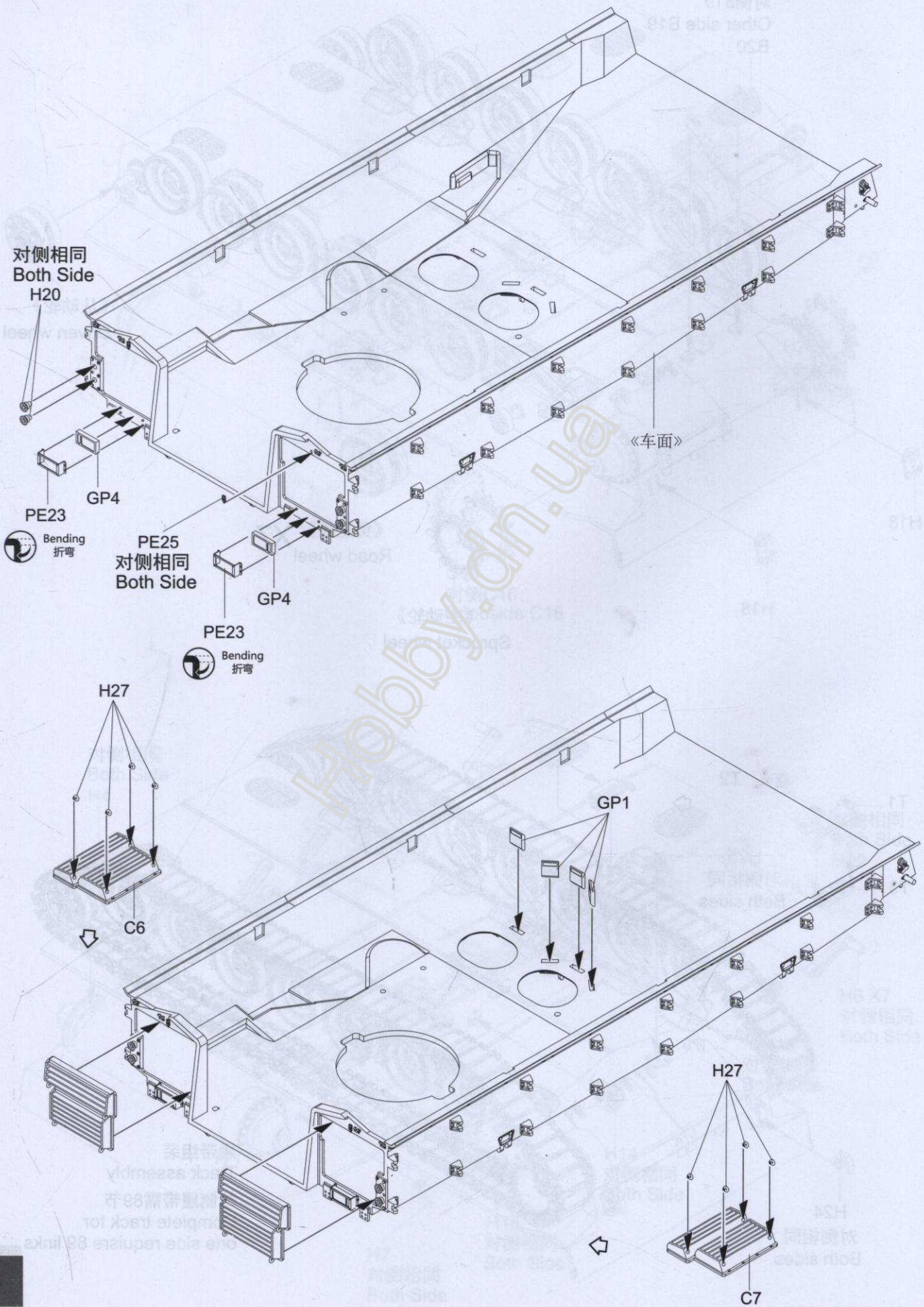
H16  
对侧相同  
Both Side

H7  
对侧相同  
Both Side



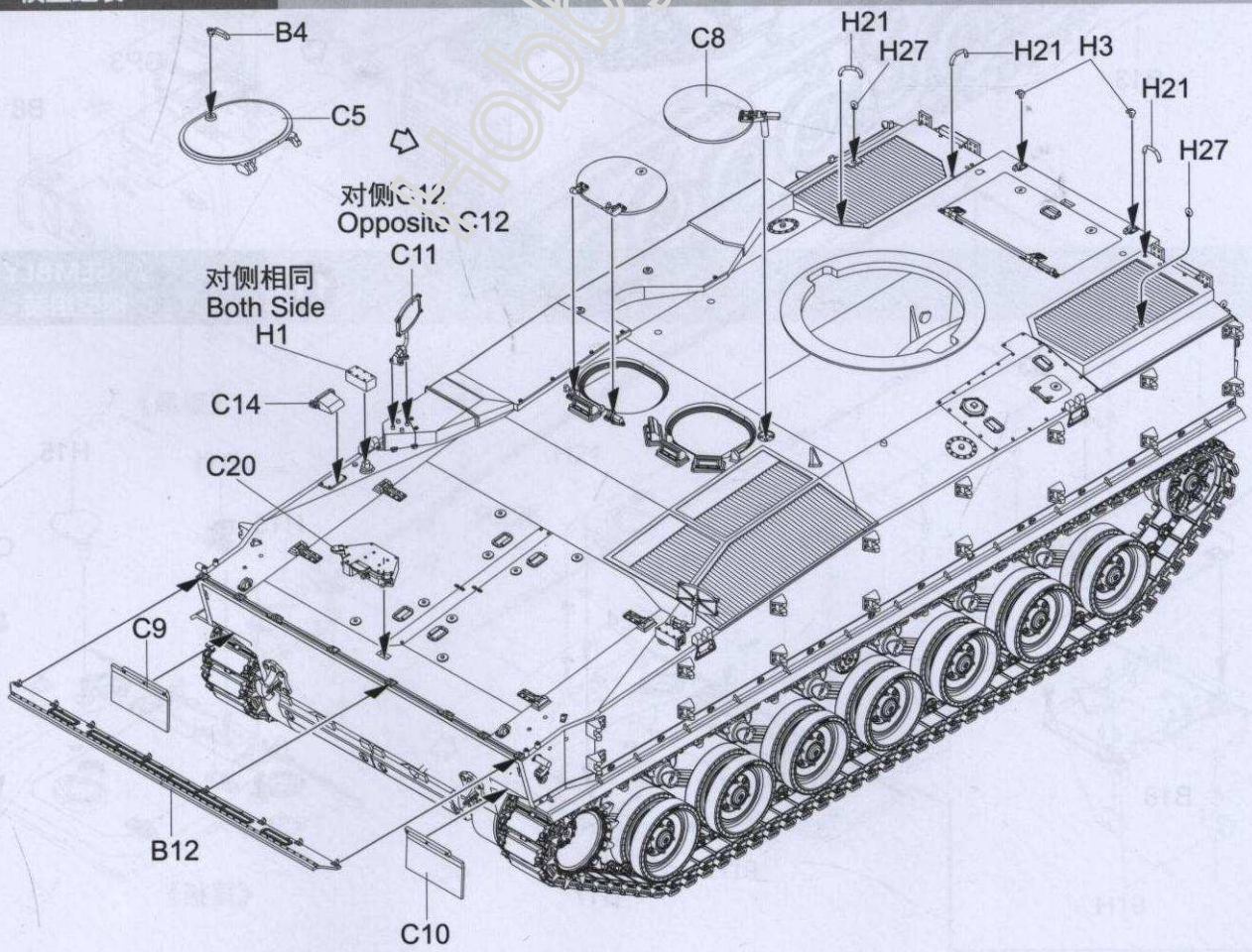
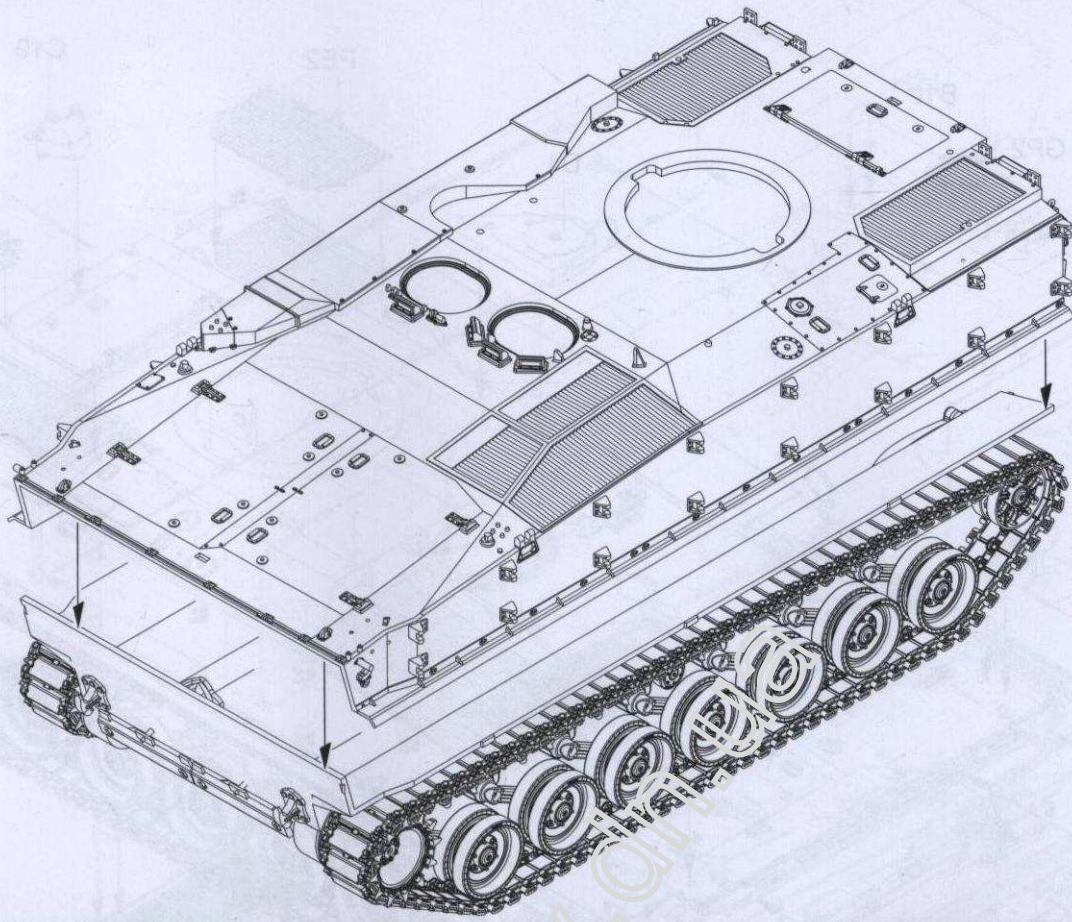




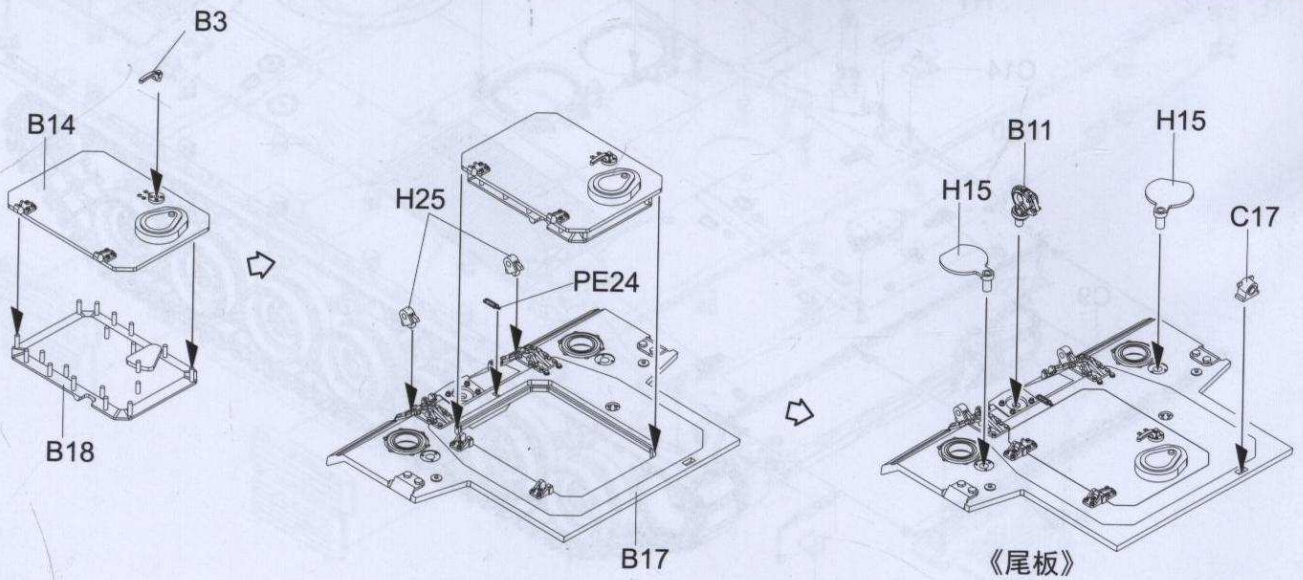
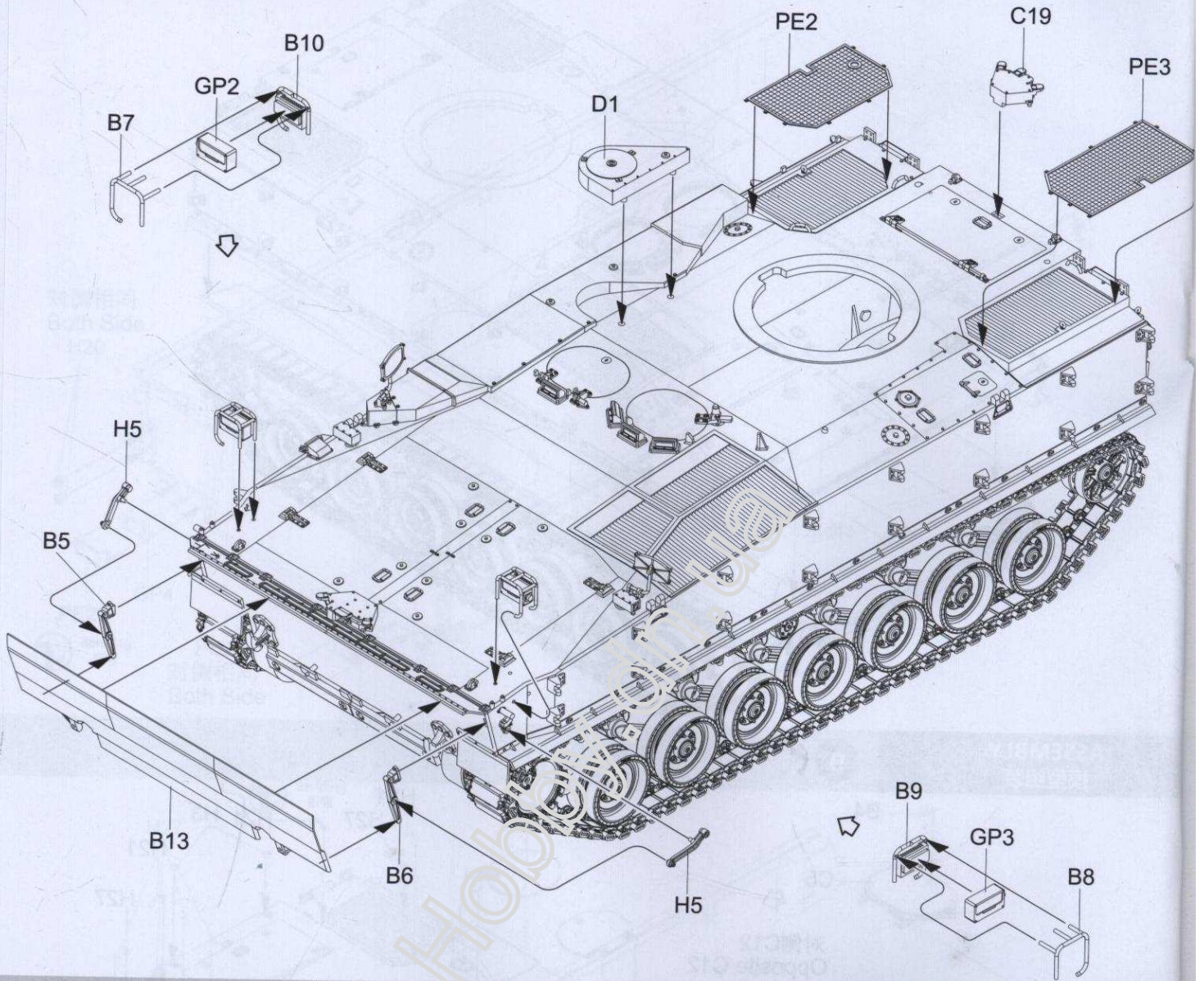


Hobby.dn.ua

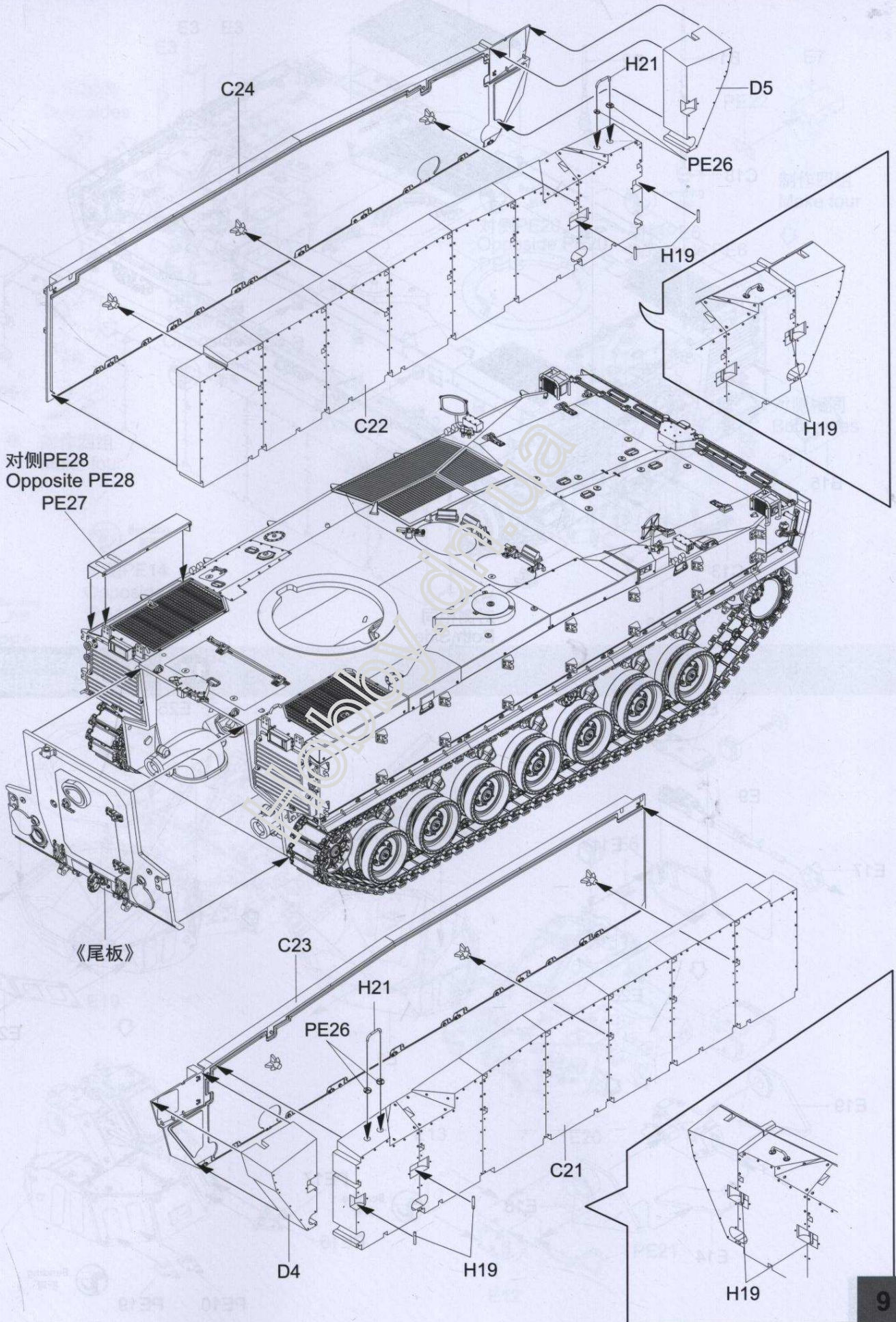




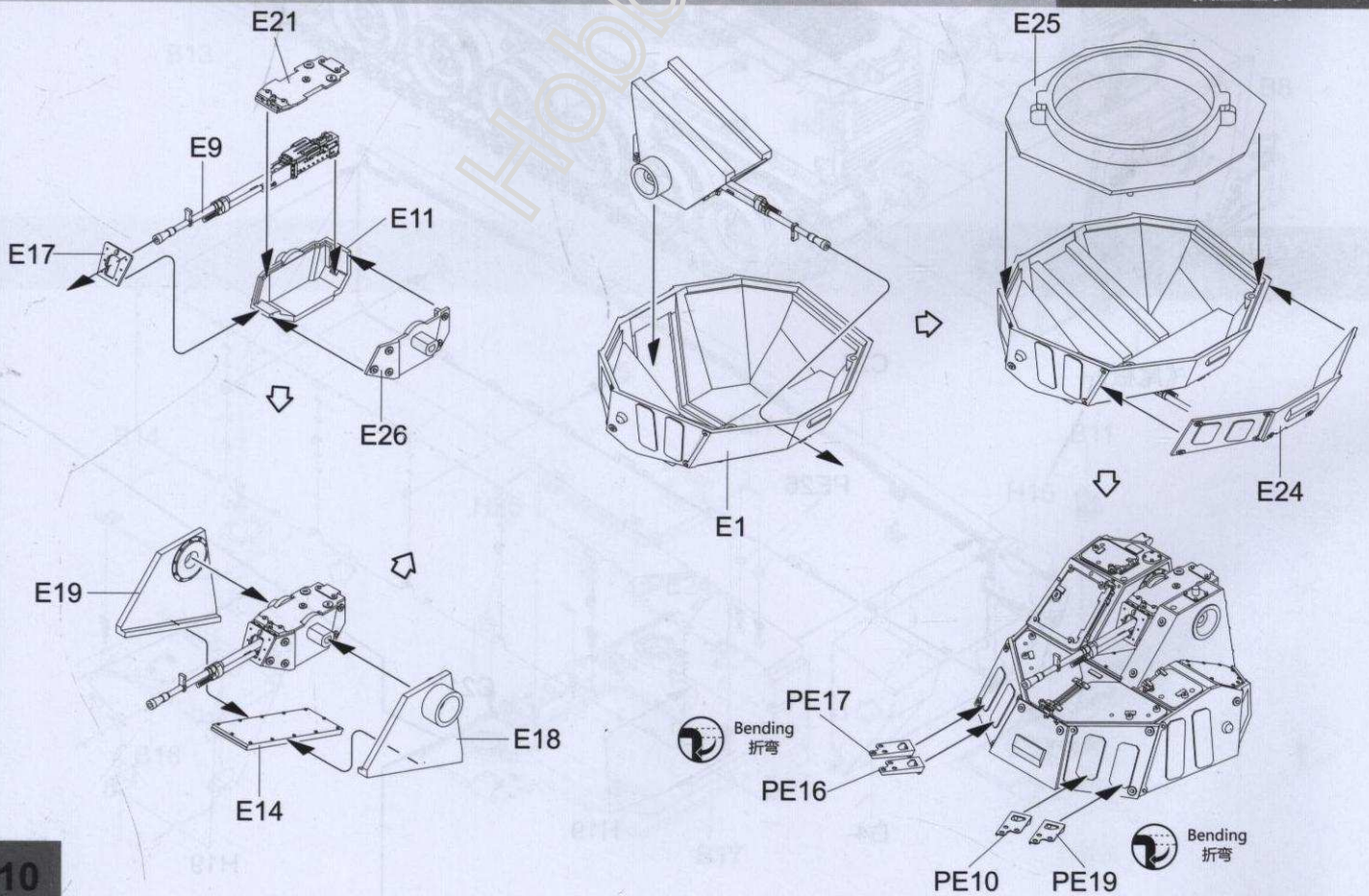
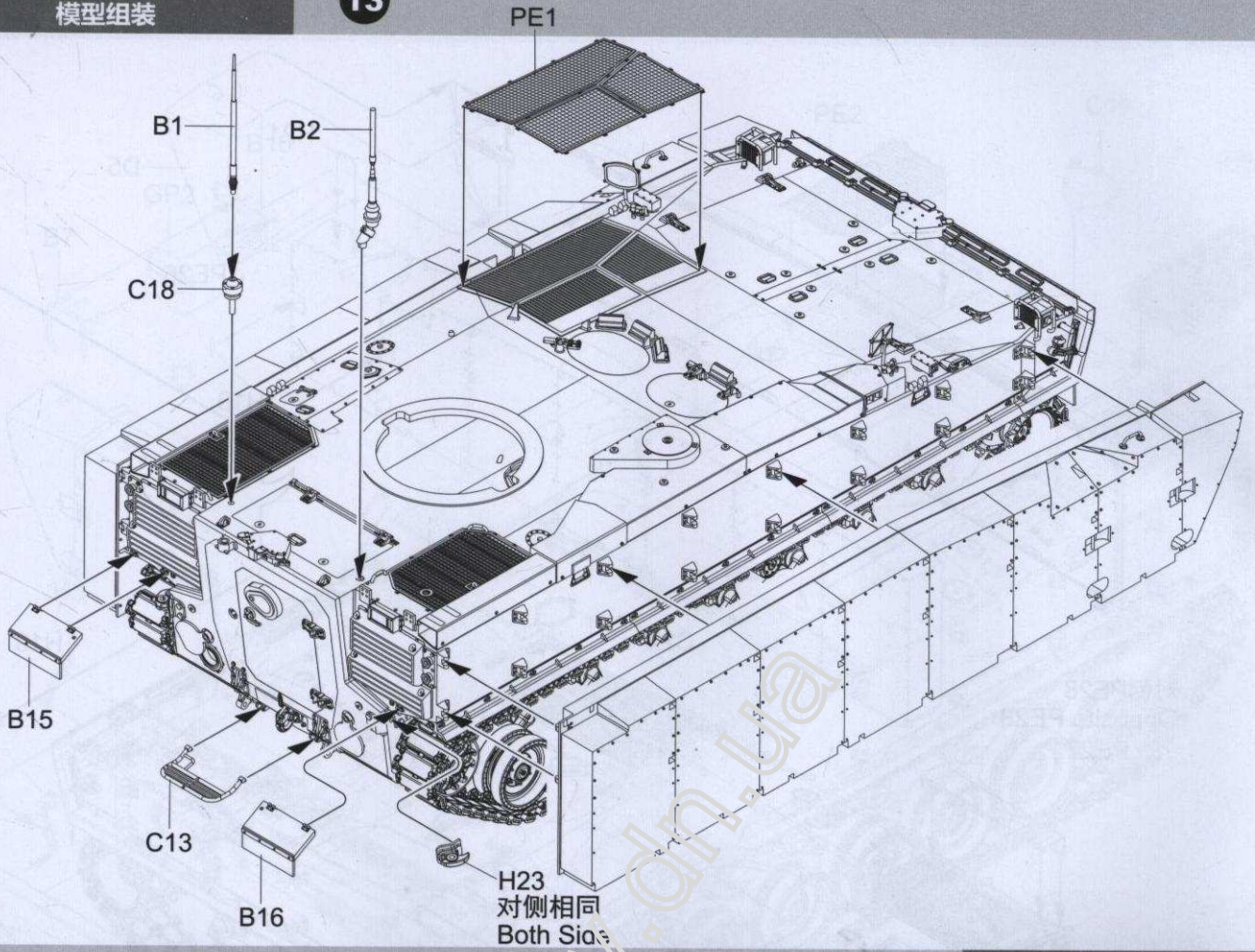




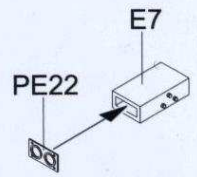
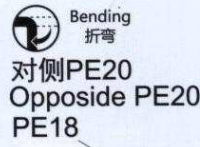
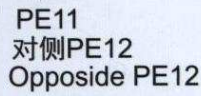
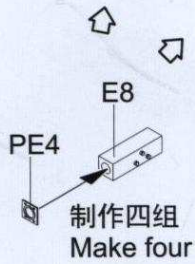
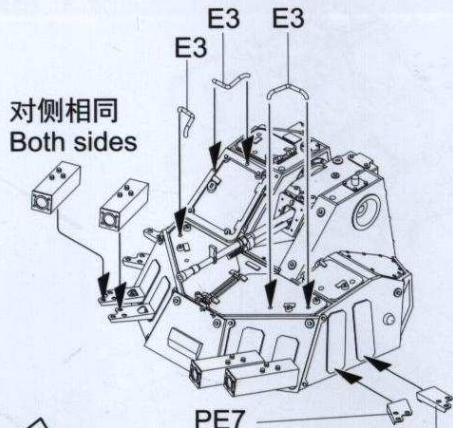




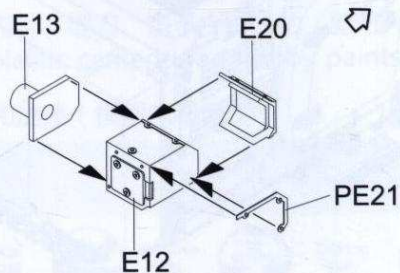
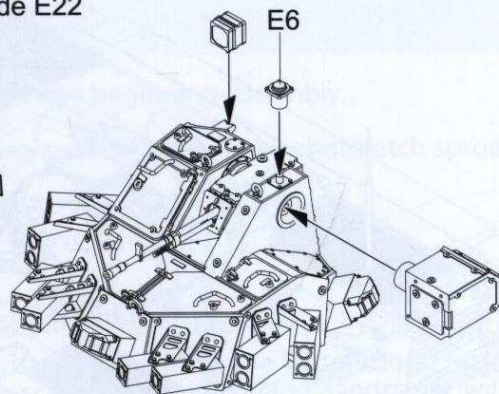
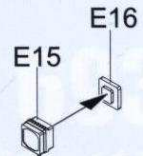
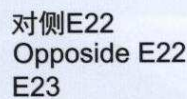
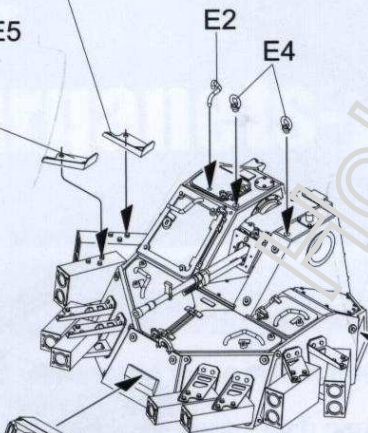
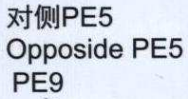
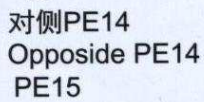
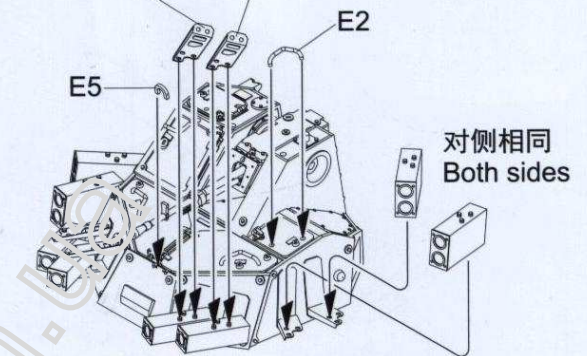




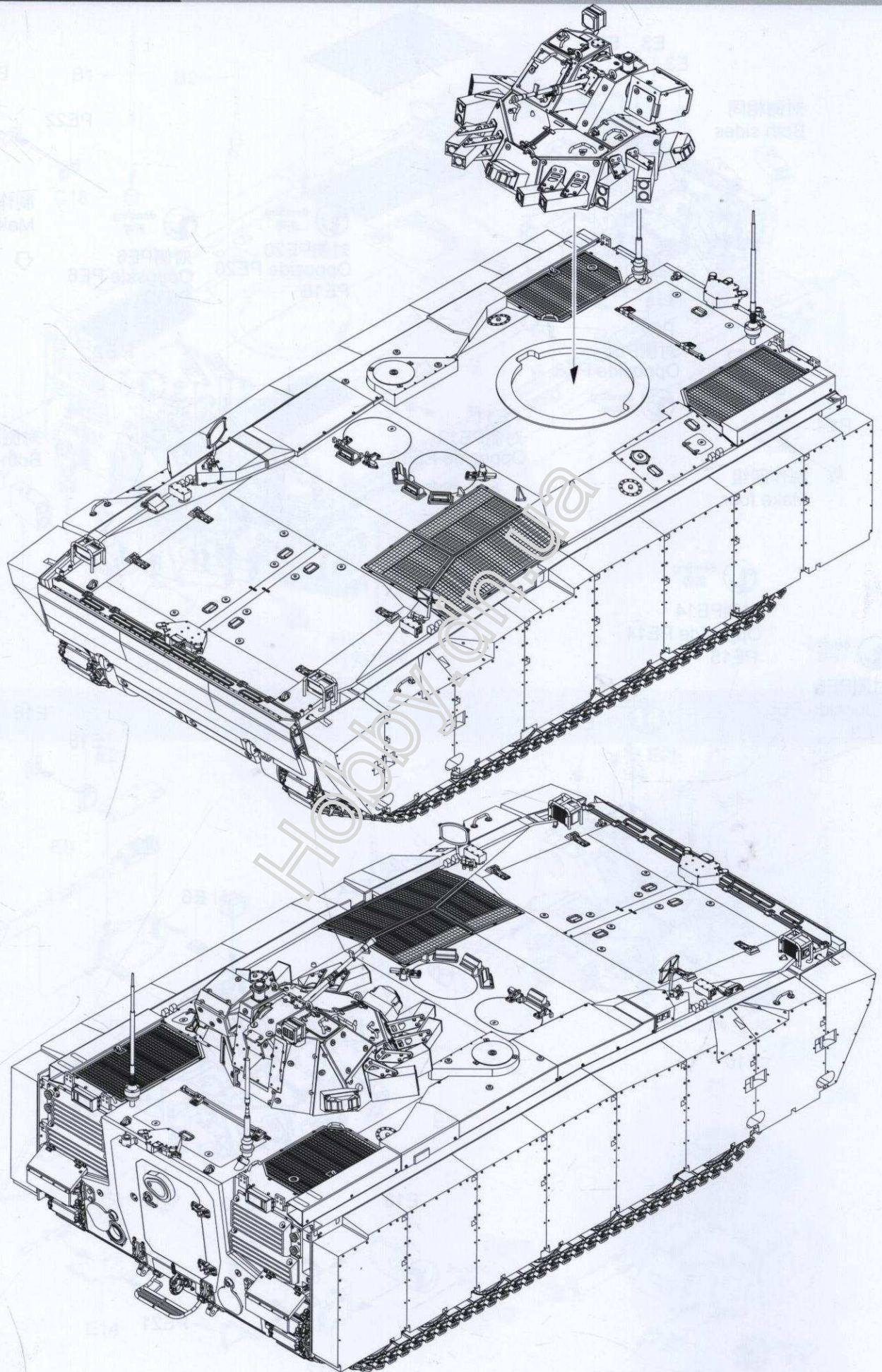




制作四组  
Make four









# Kurganets-25 BTR (OBJECT 693)



库尔干人-25 装甲运兵车 (693工程)

Painting & marking Guide

塗裝與水貼

1/35 scale

ITEM NO.:PH35024

C303

GREEN FS34102

半光綠 FS34102

