



USER MANUAL

产品安装说明书

PH 35026



1/35 scale

Bumerang IV (Object K-17)

“回旋镖”步兵战车 (K-17工程)

READ BEFORE ASSEMBLY

组装前请仔细阅读

1. Study and understand these instructions thoroughly before beginning assembly
组装前请仔细阅读以下内容
2. When needed, remove photo-etch parts carefully using a modeling knife or photo etch sprue cutter, be careful not to damage or lose small parts
请使用专业模型工具仔细去除蚀刻片或胶件上需要剪下的部分，小心不要损坏或丢失
3. Take extra care in handling photo etch parts in order to avoid injury
在处理蚀刻片的部分时请格外小心，以避免伤害
4. Apply instant cement sparingly to photo etch parts were instructed
用强力快干胶水粘合蚀刻片零件和金属轴，过量使用快干胶水可能导致可动零件粘住，小心涂胶
5. Tools recommended(not included in kit): Plastic and instant cements, sprue cutters, long nose pliers, modeling knife, small files, tweezers, pin vise & scissors. Soft cloth and sandpaper will also assist in construction
推荐模型工具(自备): 胶水、水口剪刀、长咀钳、刀片、锉刀、镊子、钳、钻、剪刀、瞬间快干胶
6. Glue and paint are not included in the kit. Use plastic cement and hobby paints only. Color guide for purchasing paint is included in the kit.
软布与砂纸同时也应该是必备工具，请使用塑料胶水和油漆(模型内不含)

ICON INSTRUCTION

图标说明



Optional
选择



Bending
折弯



Do not stick
不涂胶水



Decal
水贴纸



Remove
切除



Drilling
钻孔



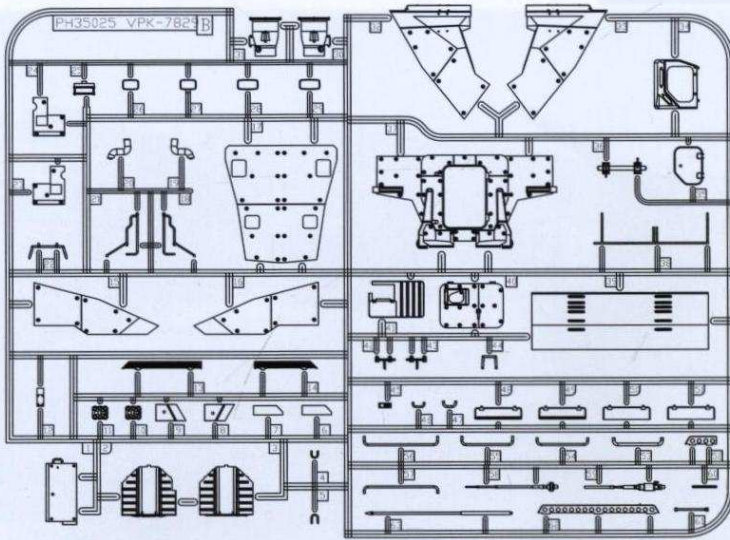
Fill
填补



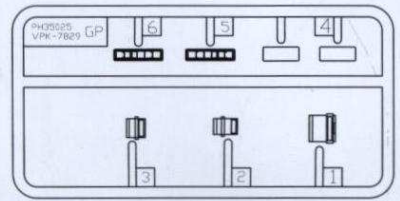
Weight
配重

PARTS
版件图

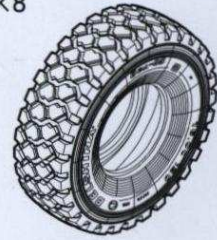
B



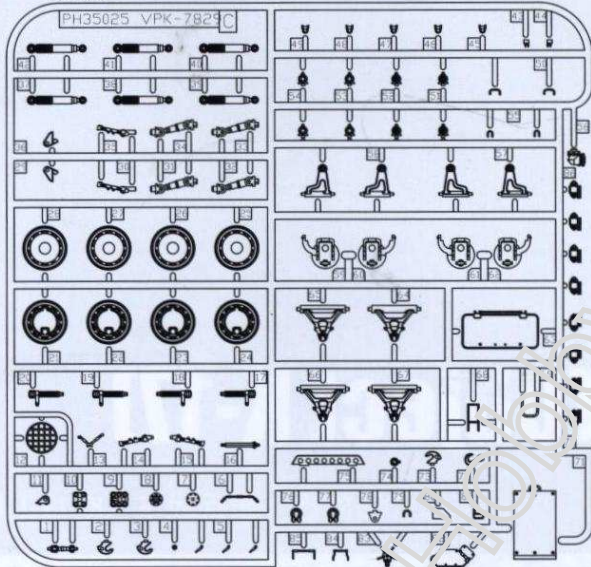
GP



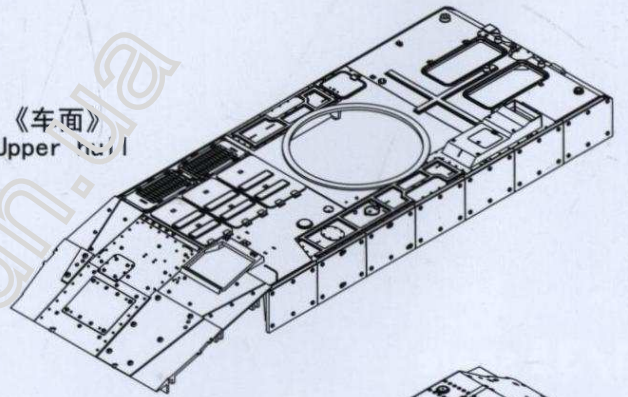
《轮胎》×8
Tyre



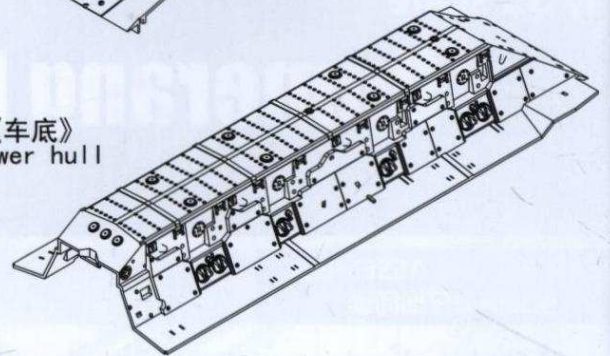
C×2



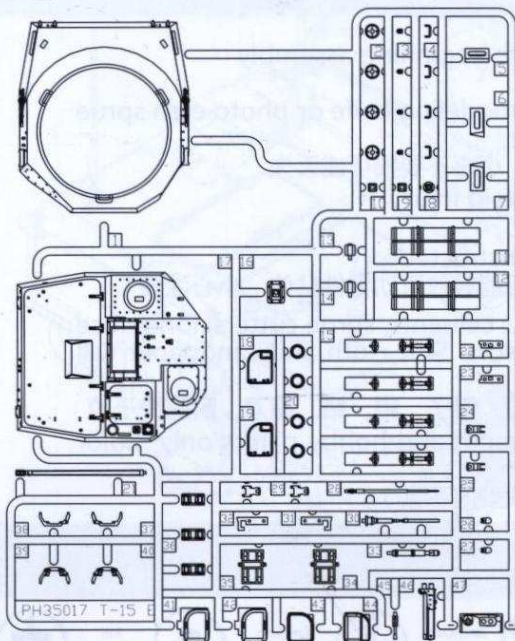
《车面》
Upper hull



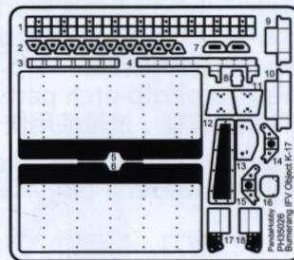
《车底》
Lower hull



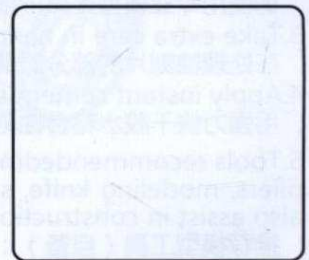
E



《蚀刻片》
PE

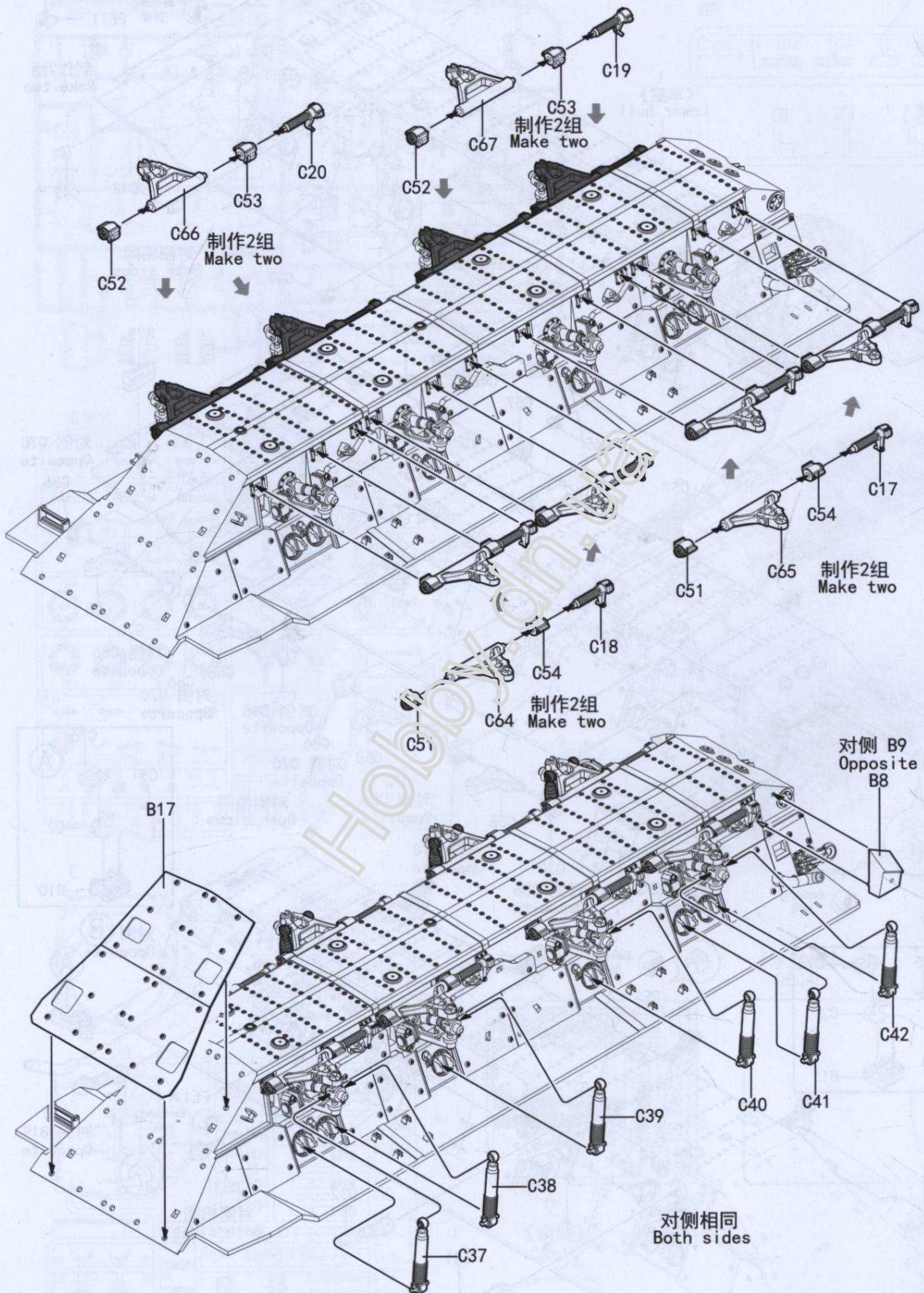


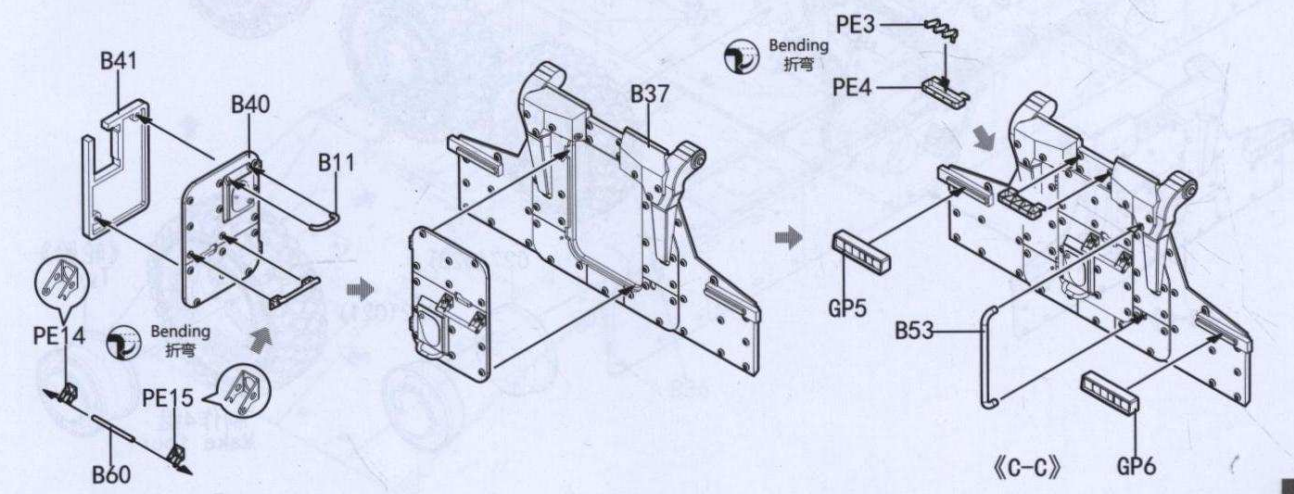
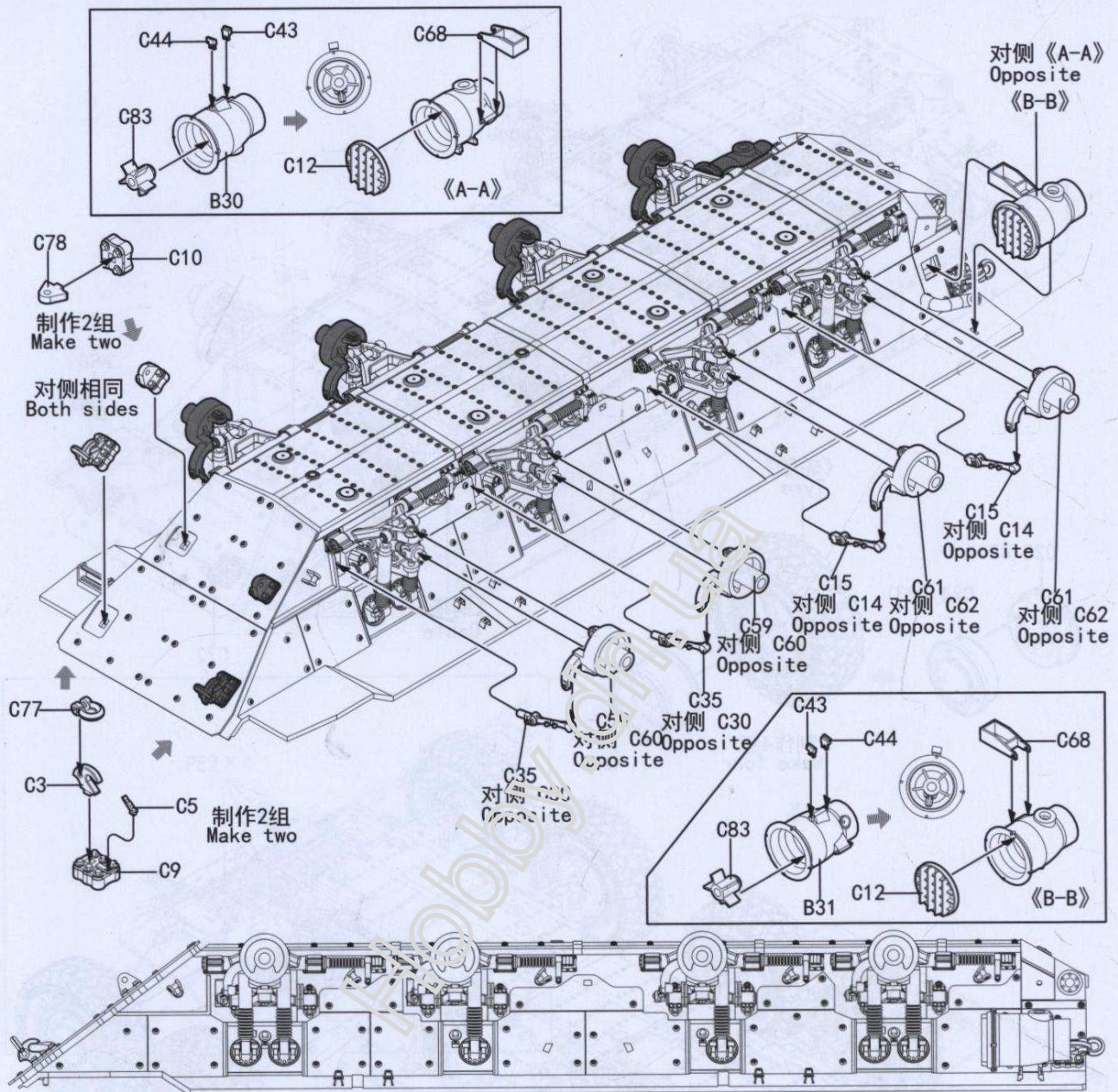
《水贴纸》
DECAL

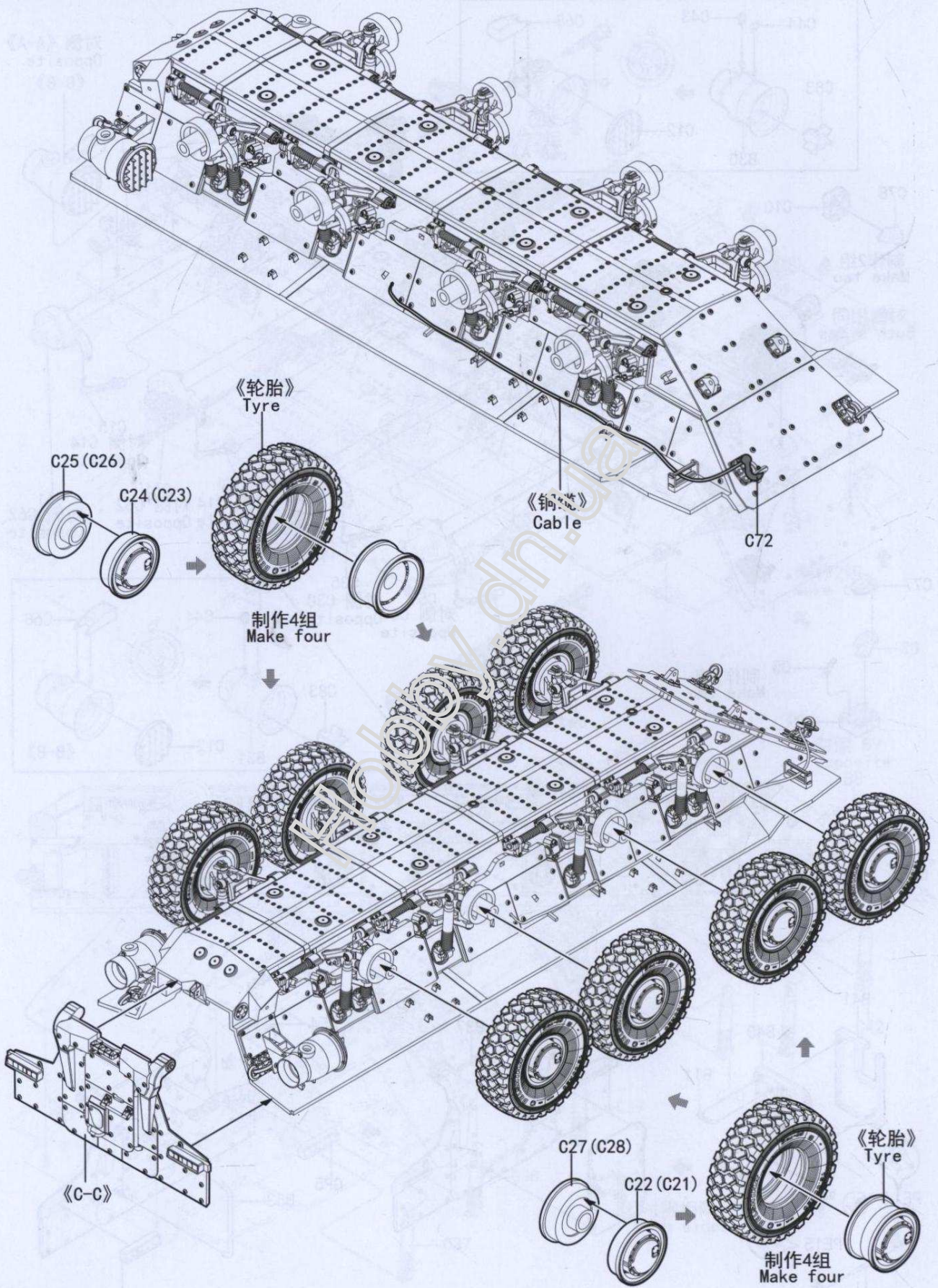


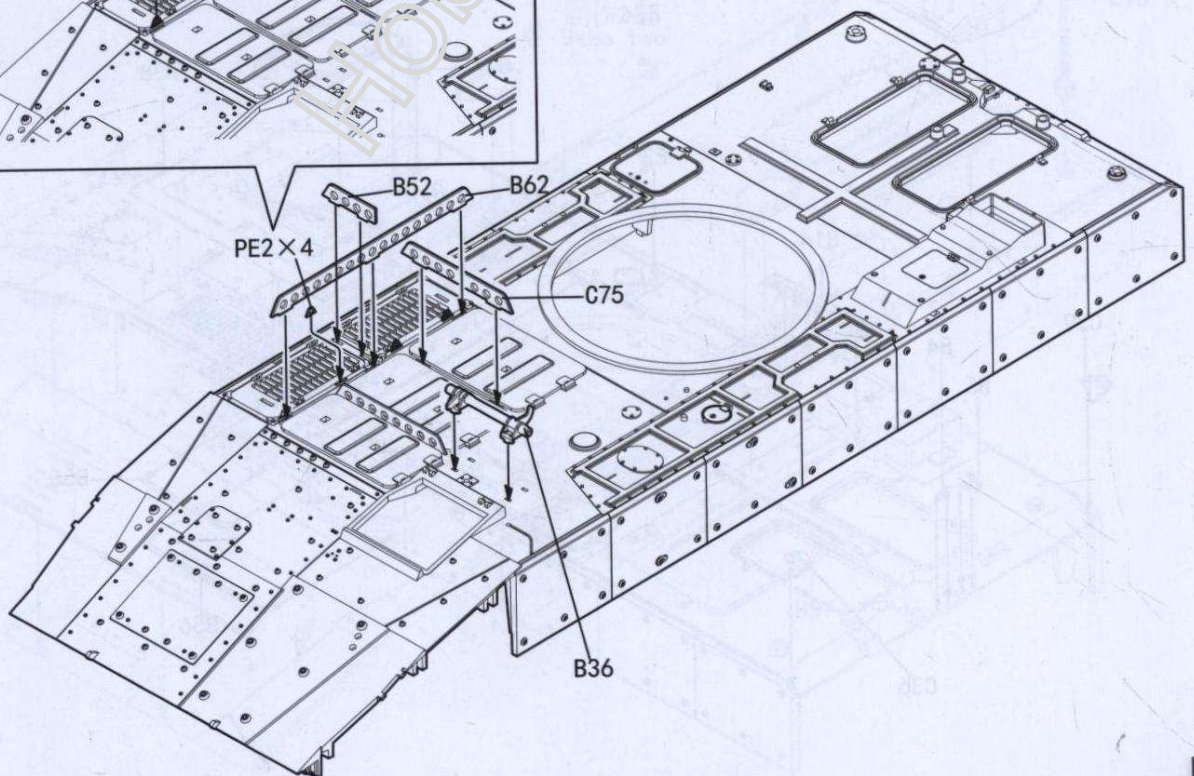
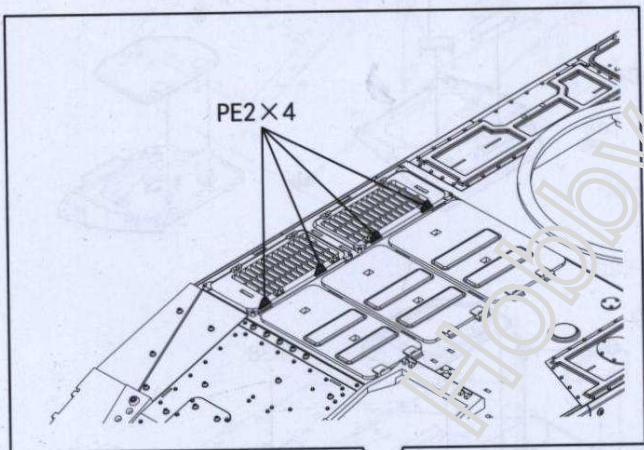
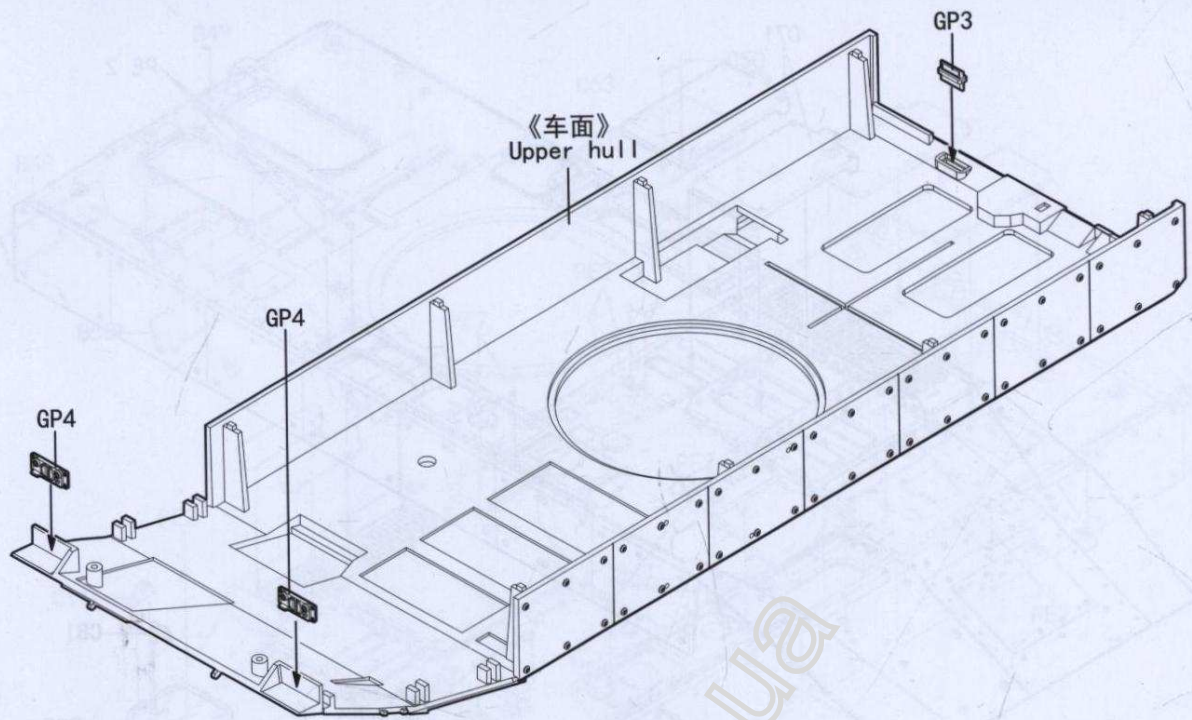
《铜缆》
Cable

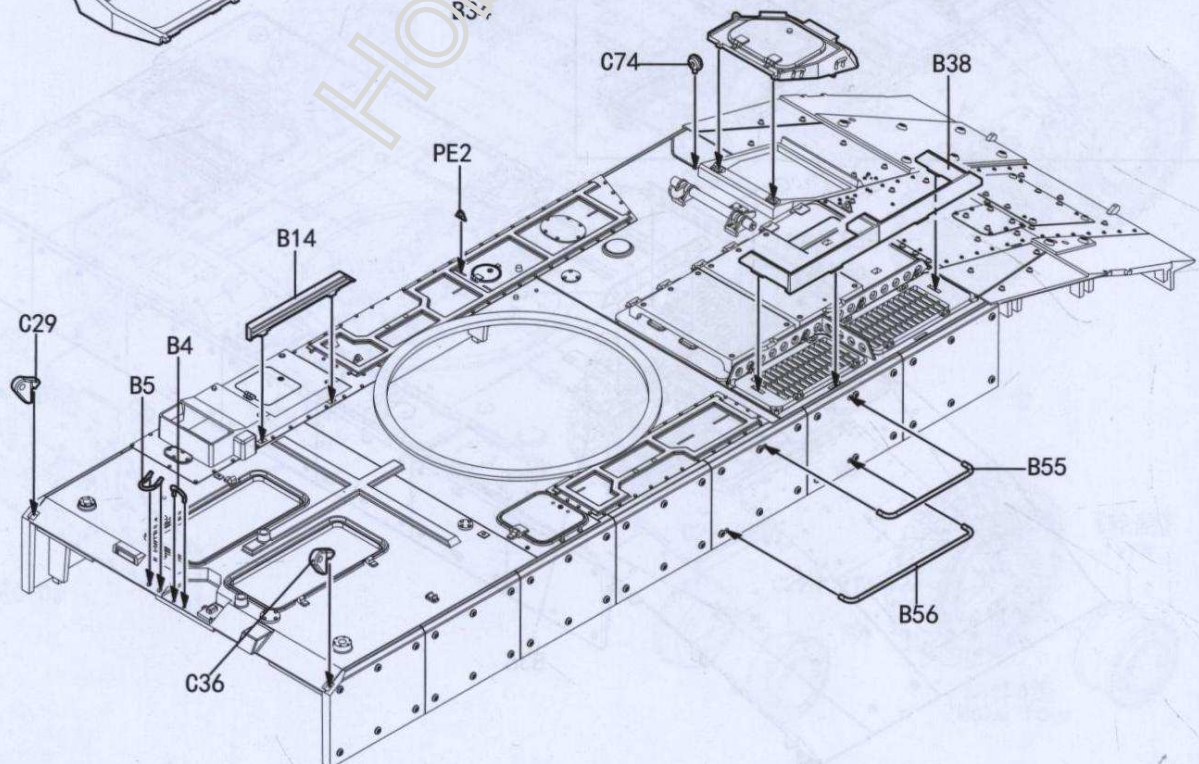
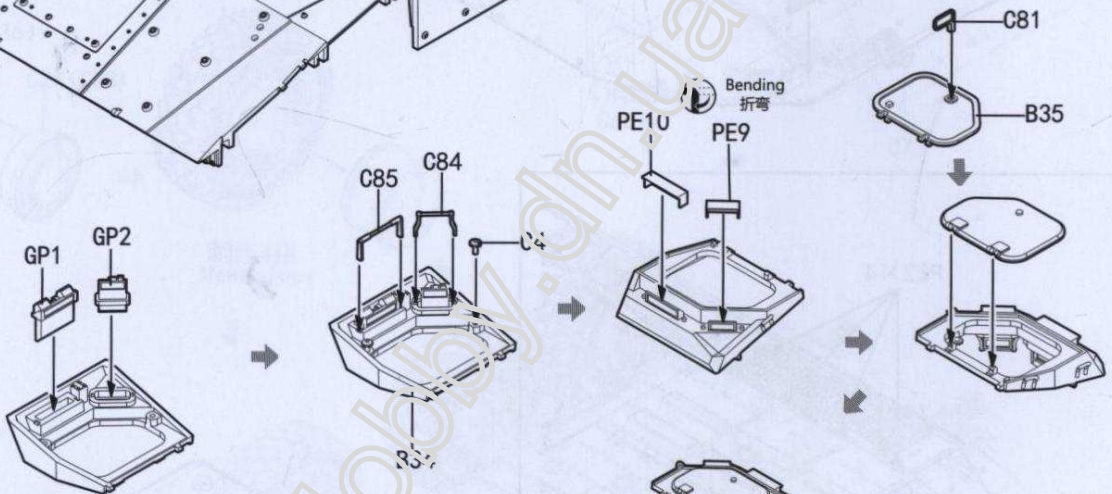
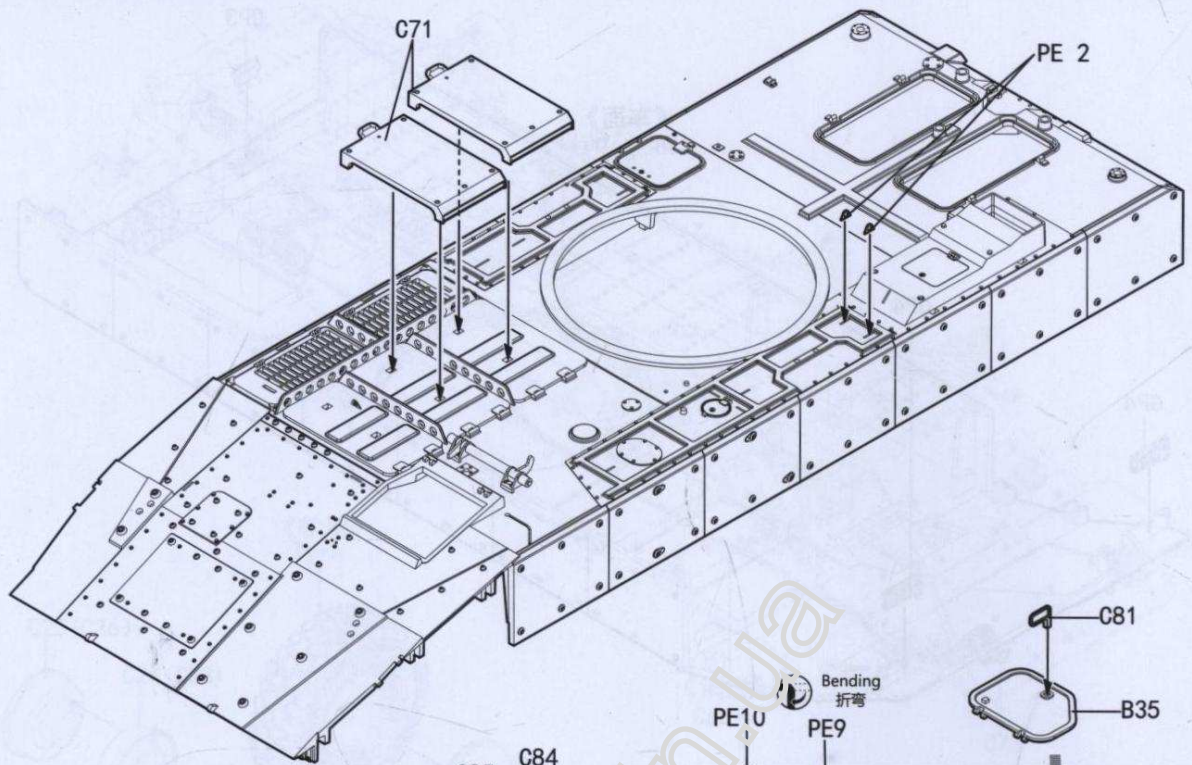


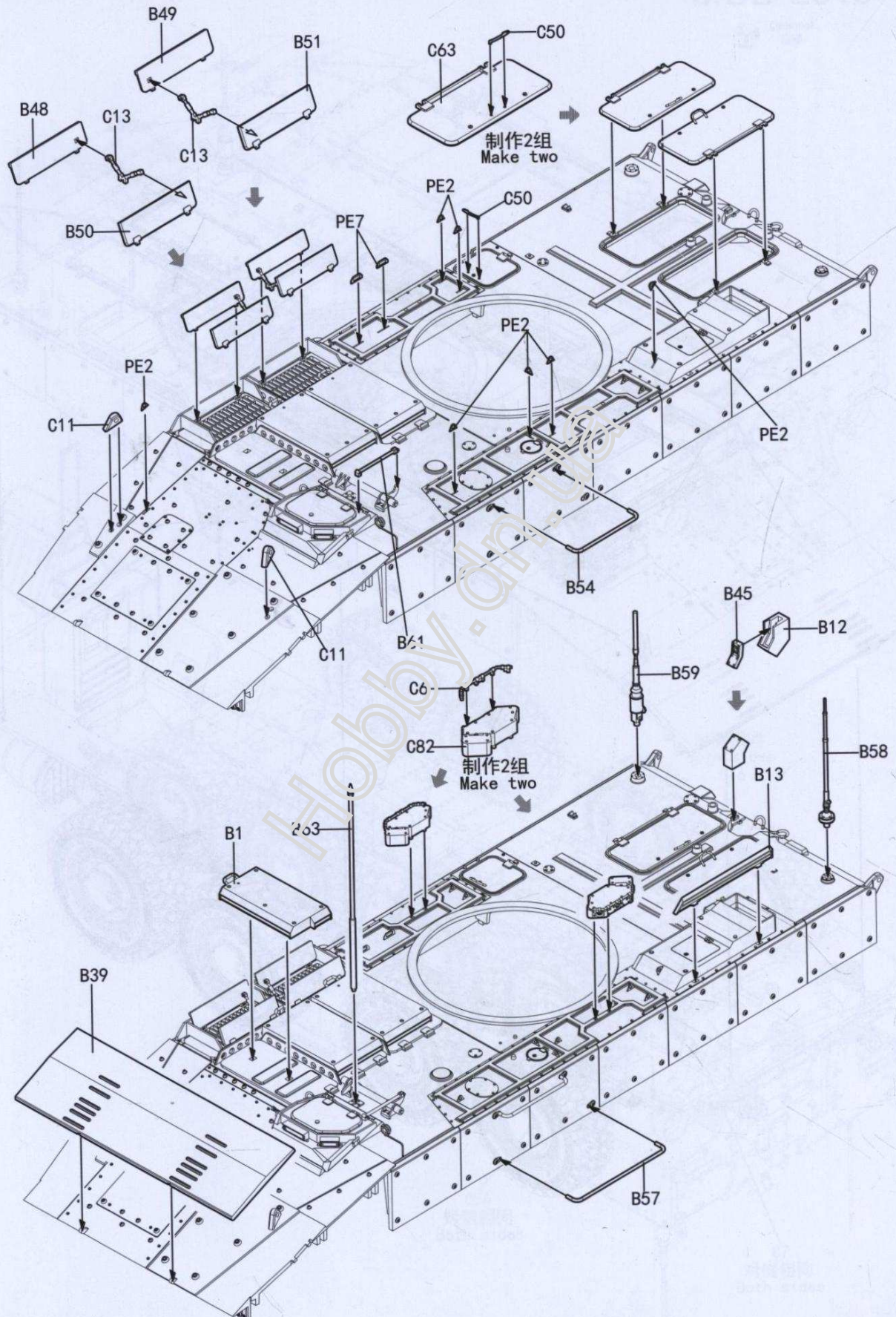


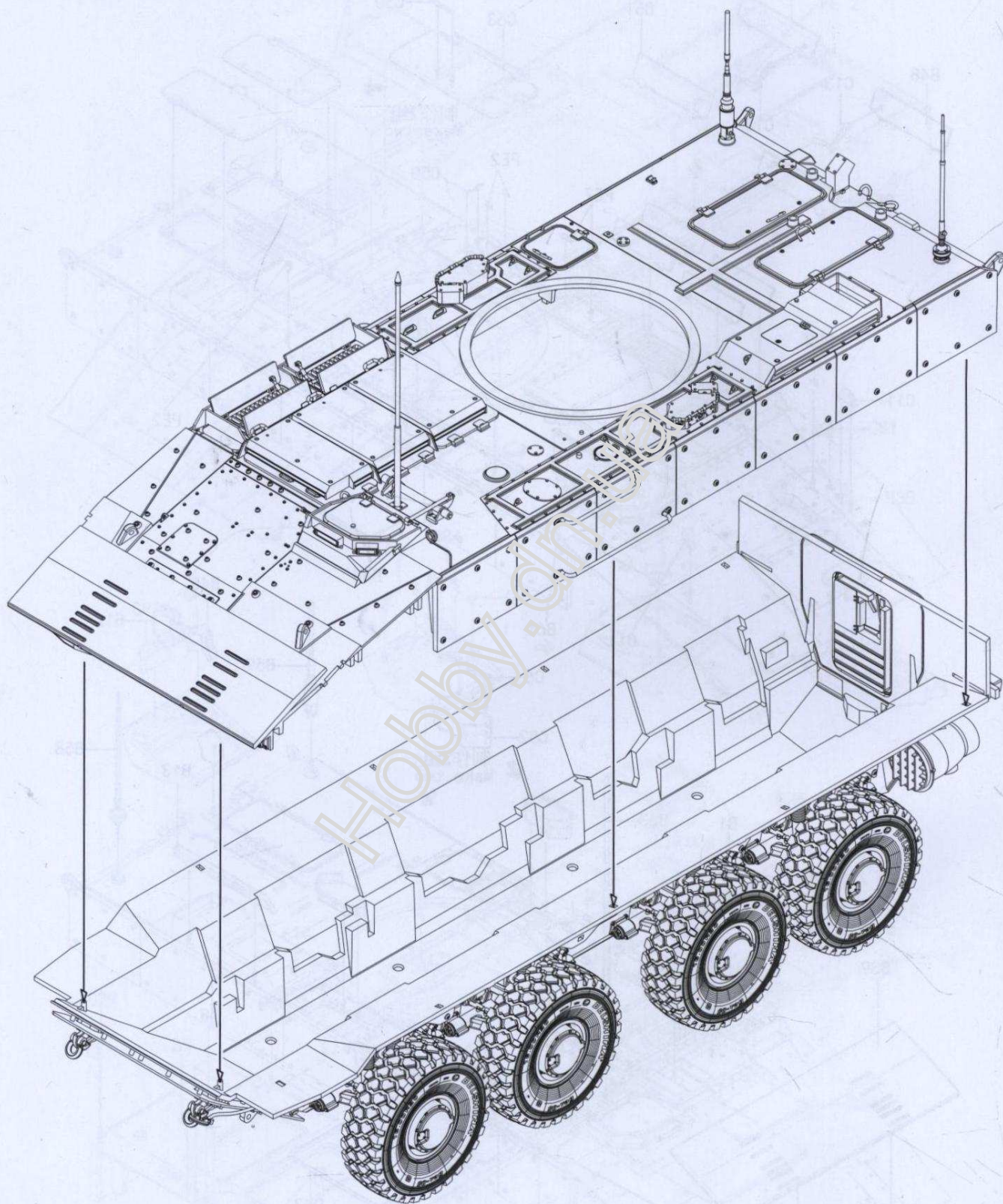






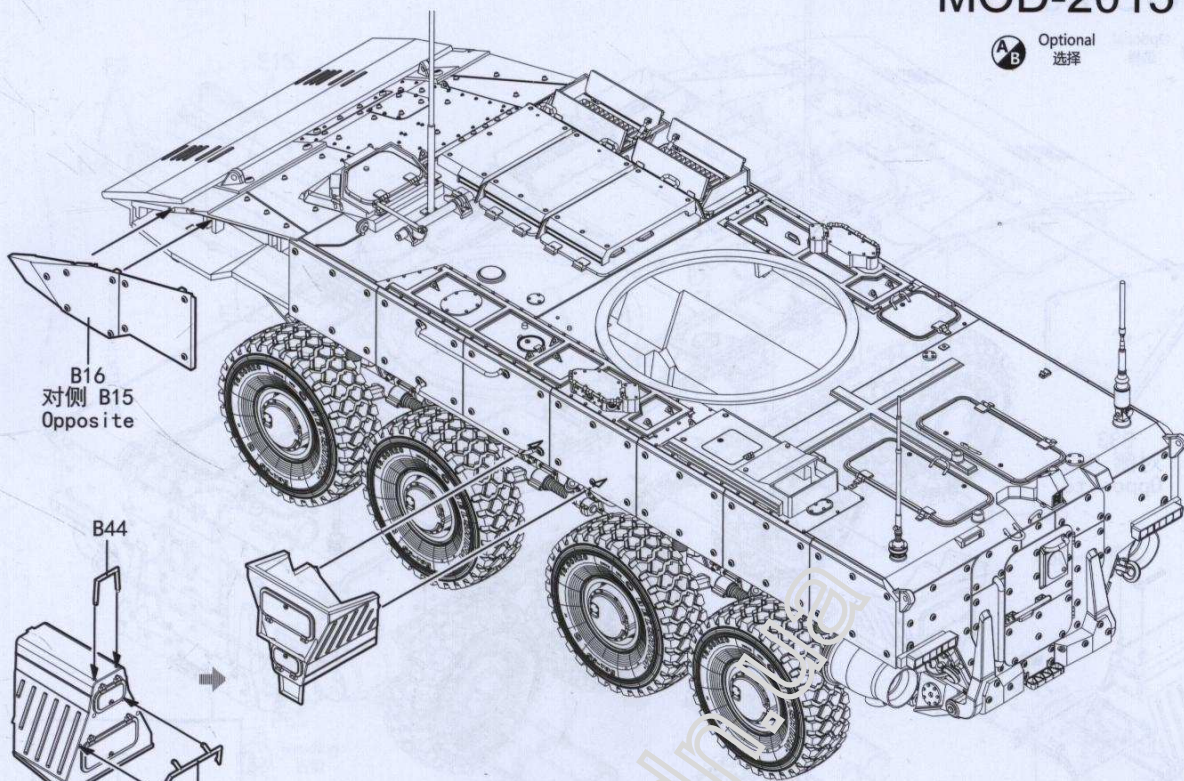




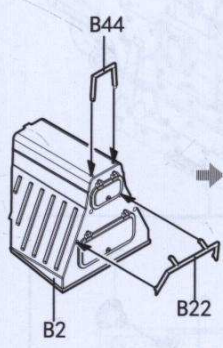


MOD-2015

 Optional
选择

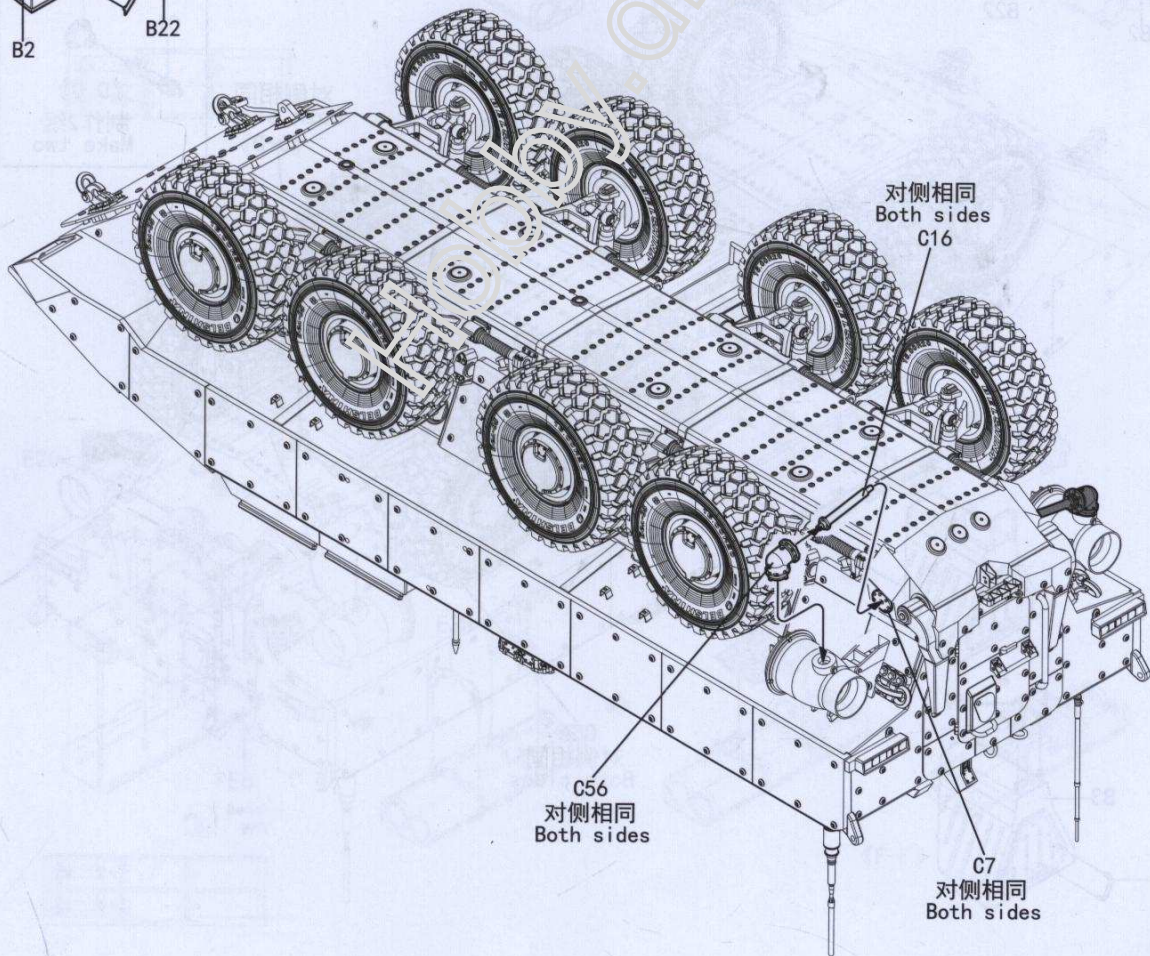


B16
对侧 B15
Opposite



B2

B22



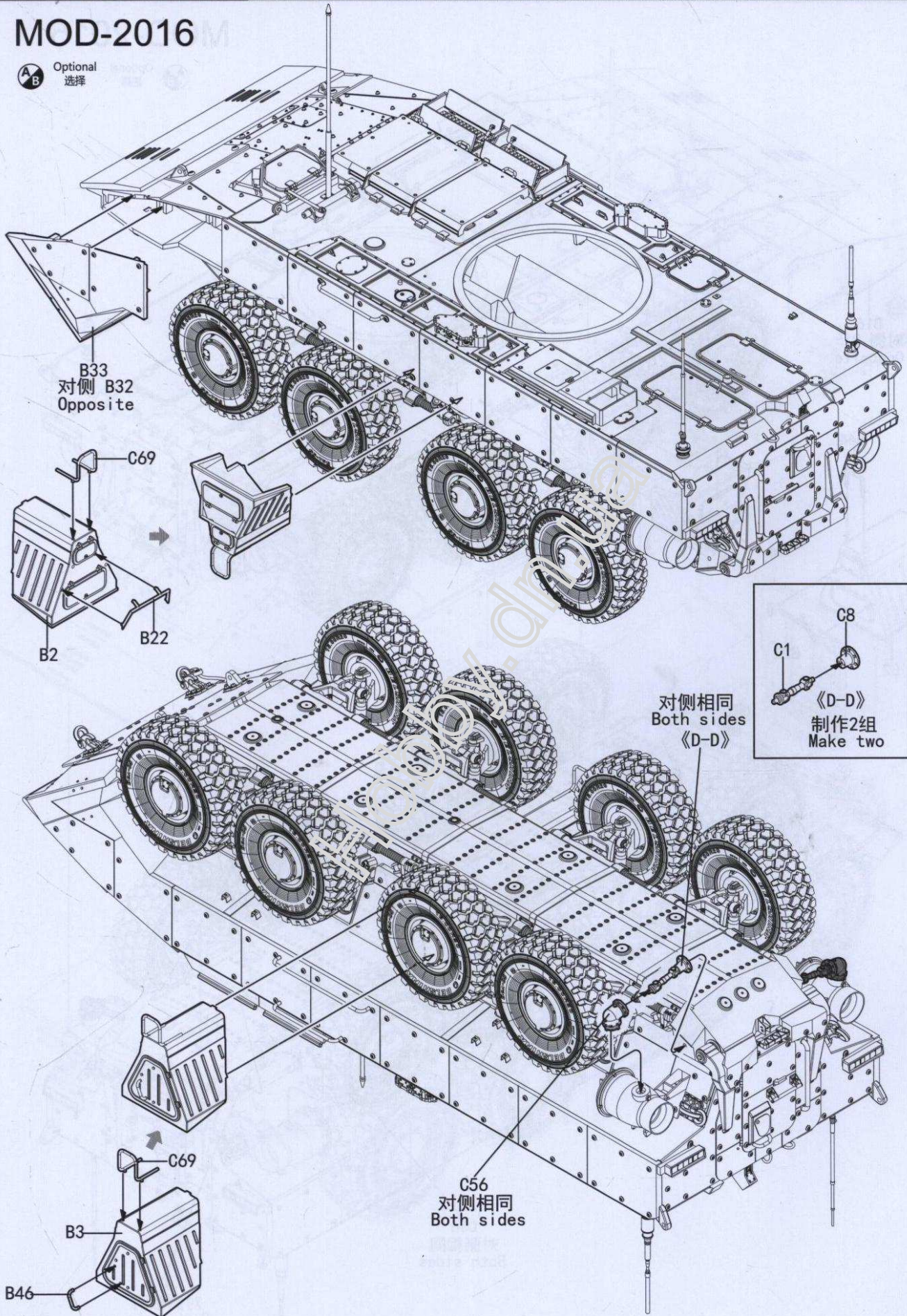
对侧相同
Both sides
C16

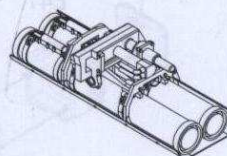
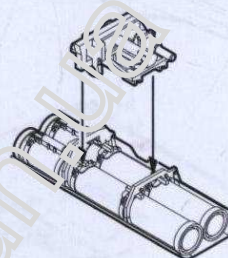
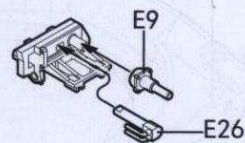
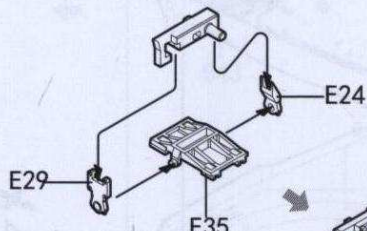
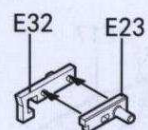
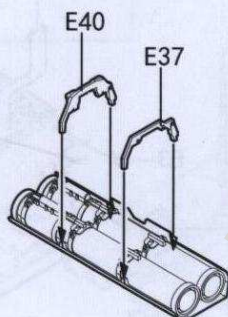
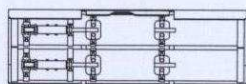
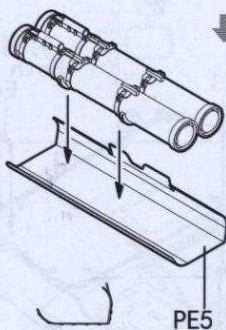
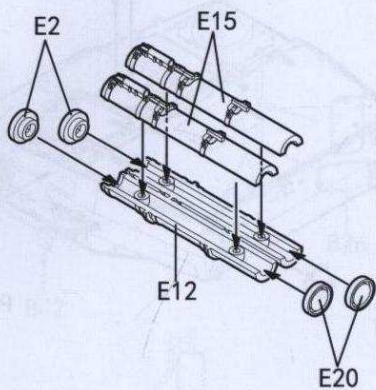
C56
对侧相同
Both sides

C7
对侧相同
Both sides

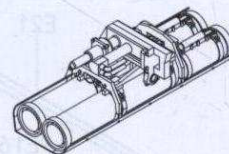
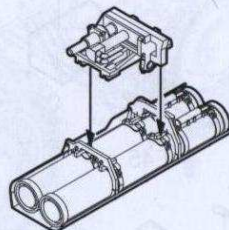
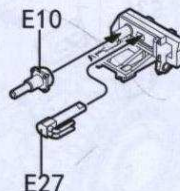
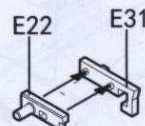
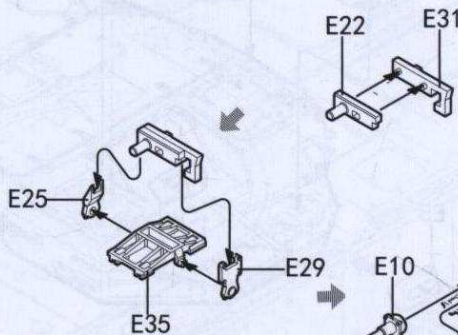
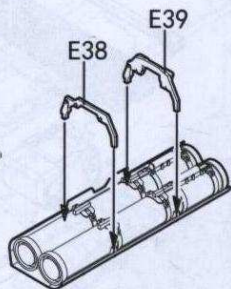
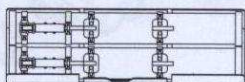
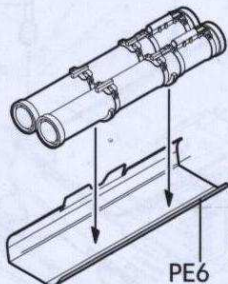
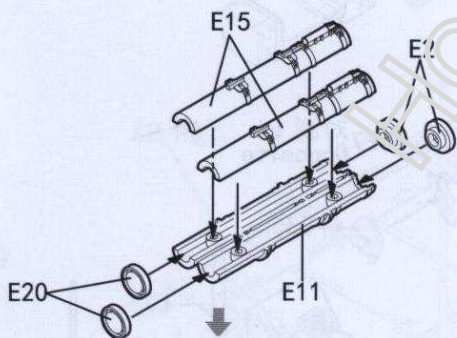
MOD-2016

 Optional
选择

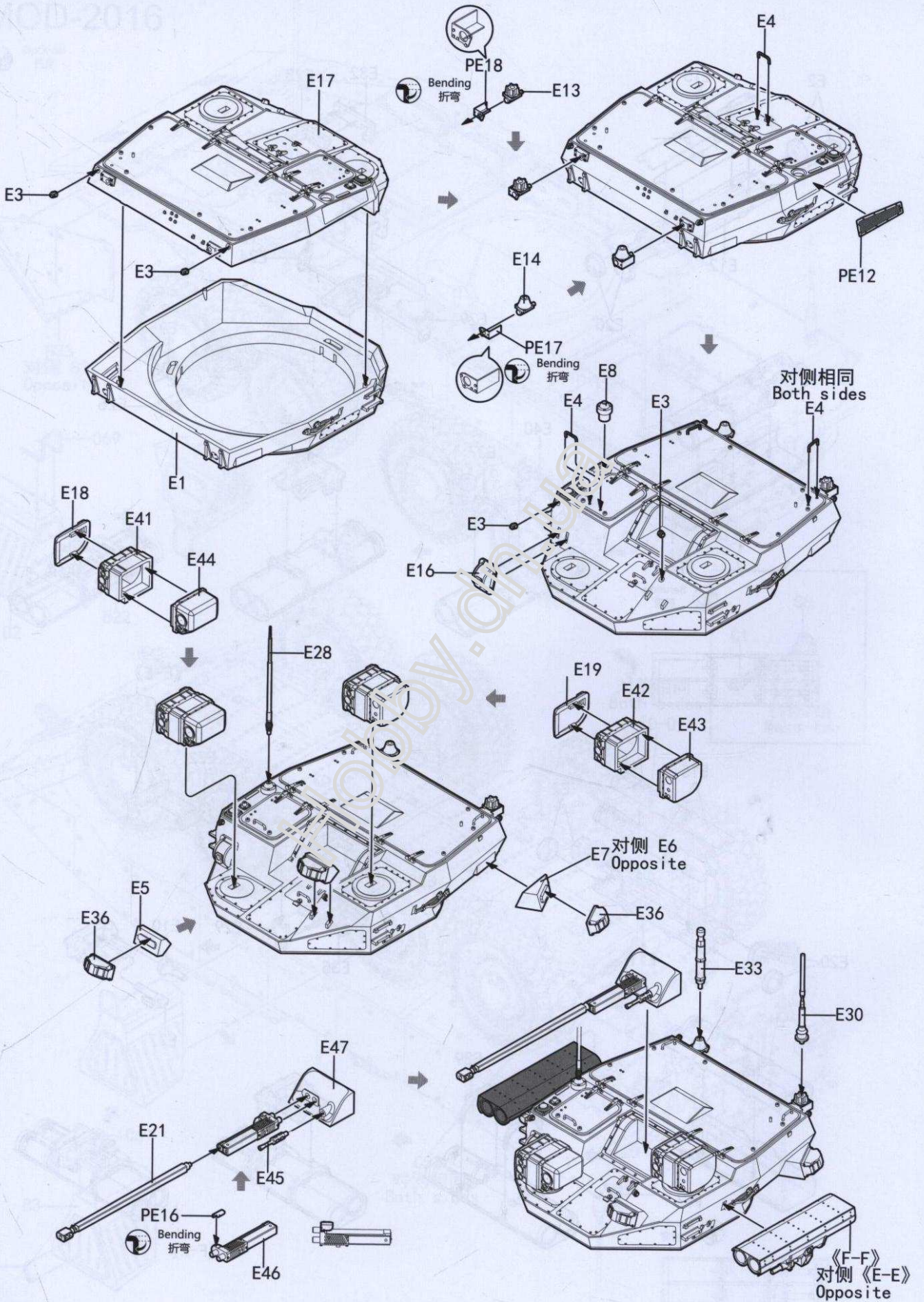


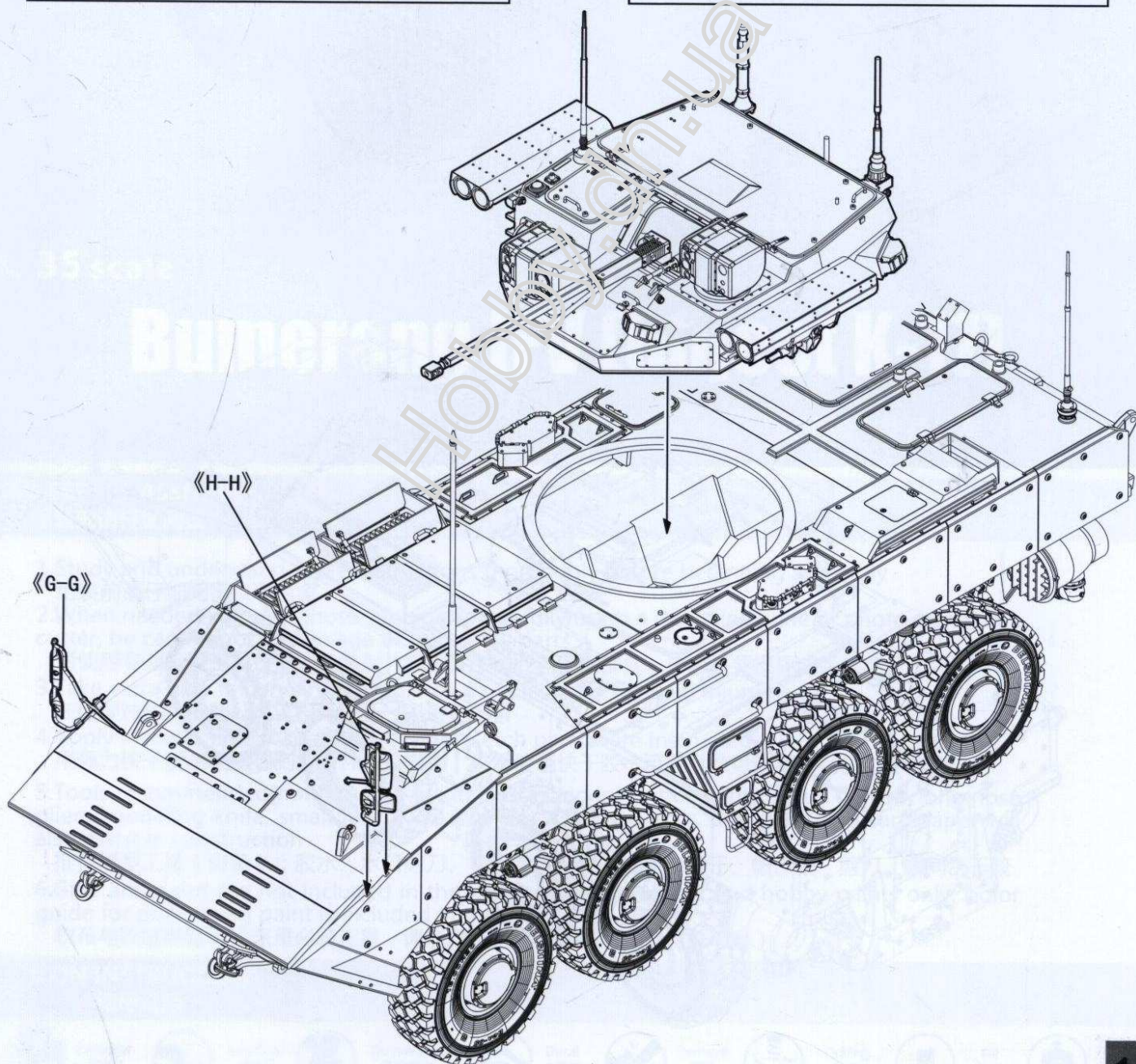
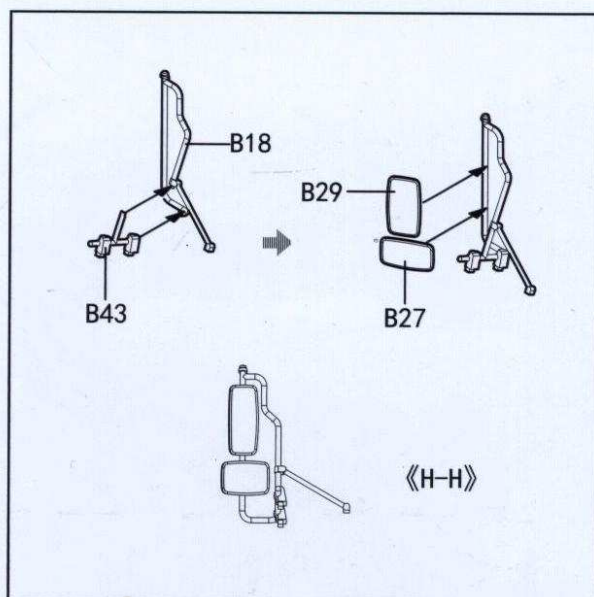
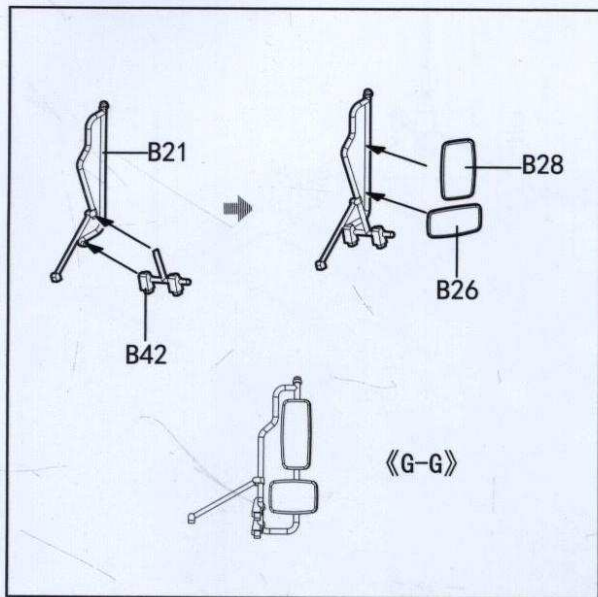


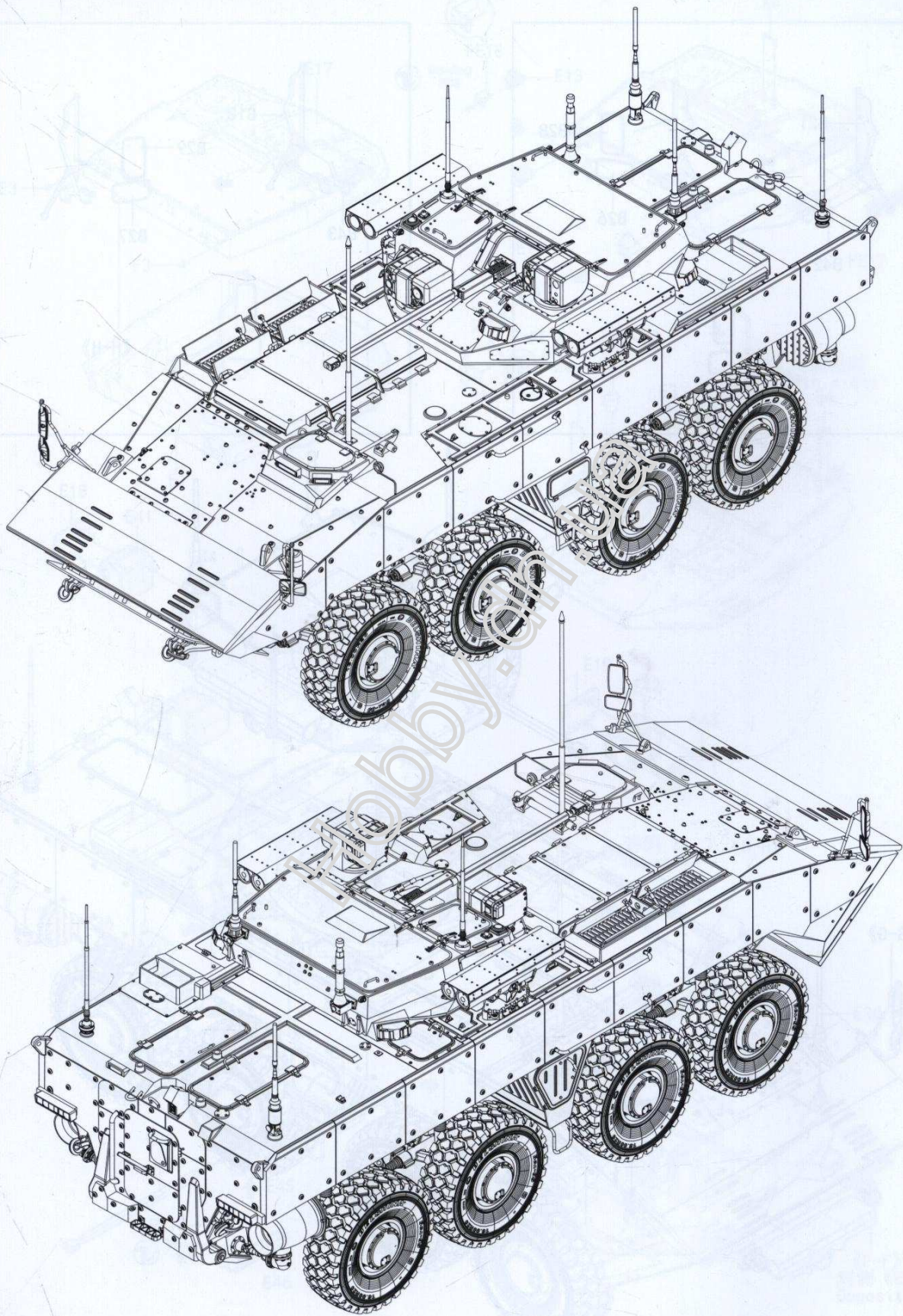
《E-E》



《F-F》







CLASSICAL SCALE SERIES

Bumerang IFV (Object K-17)



“回旋镖”步兵战车 (K-17工程)

Painting & marking Guide

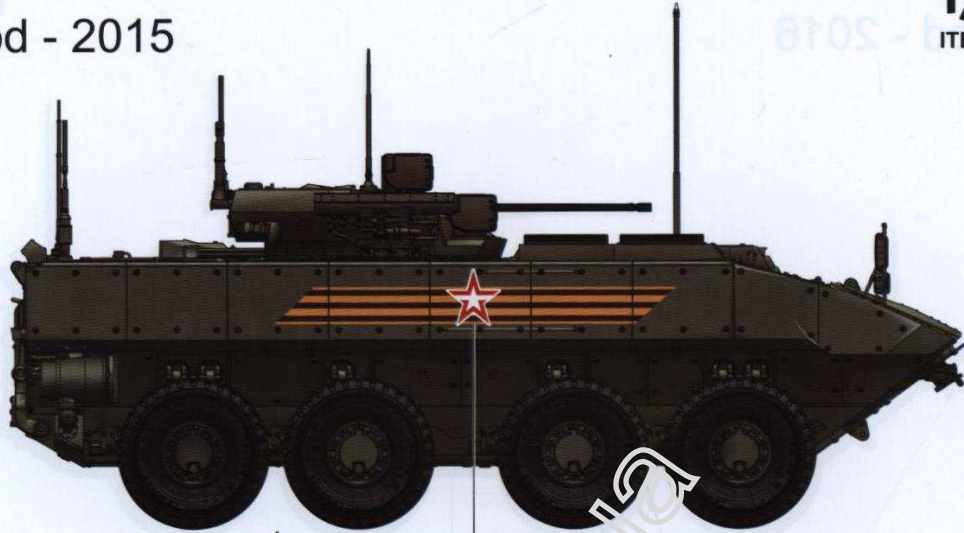
塗裝與水貼

B

Mod - 2015

1/35 scale

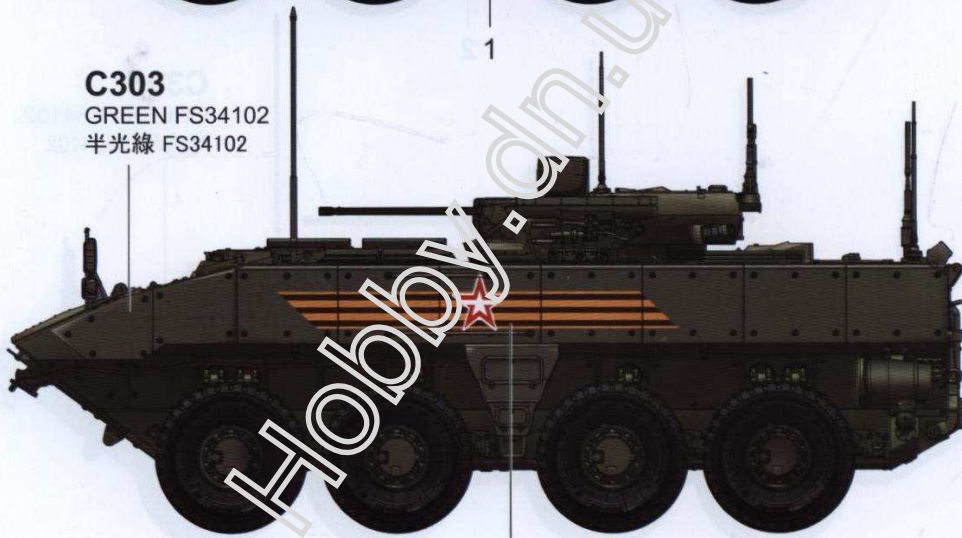
ITEM NO.:PH35026



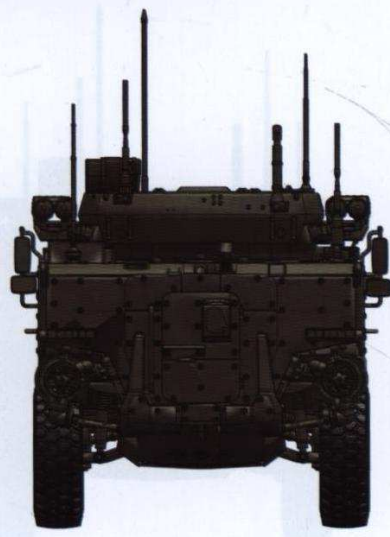
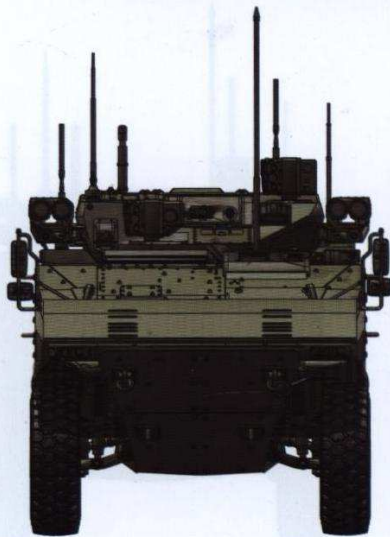
C303

GREEN FS34102

半光綠 FS34102



2



CLASSICAL SCALE SERIES

Bumerang IFV (Object K-17)



“回旋镖” 步兵战车 (K-17工程)

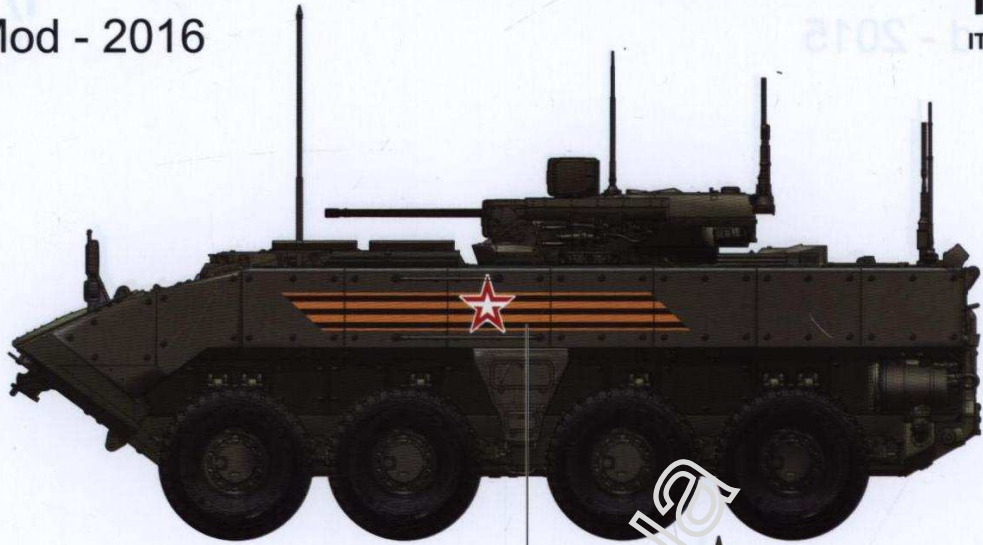
Painting & marking Guide

塗裝與水貼

A Mod - 2016

1/35 scale

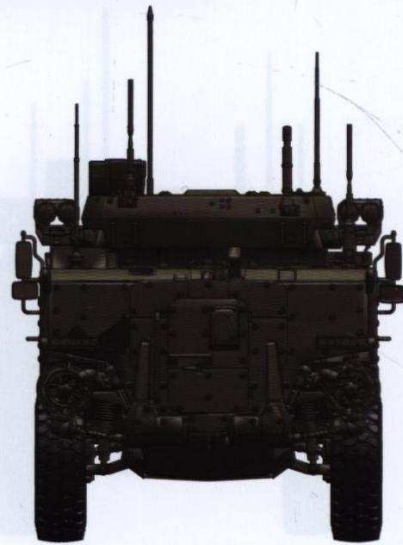
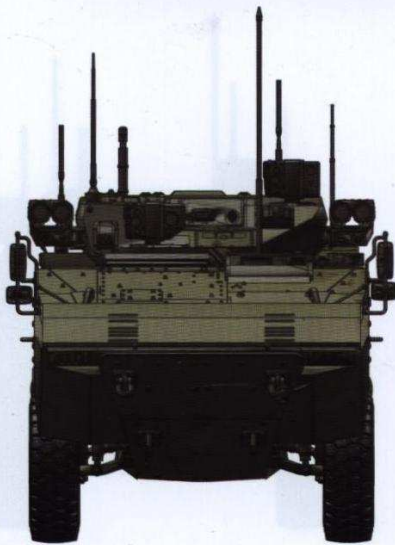
ITEM NO.:PH35026



C303

GREEN FS34102

半光綠 FS34102



2016 COPYRIGHT PANDA HOBBY, ALL RIGHTS RESERVED.

GUNZE SANGYO Mr. color used