

TIGER I

Pz.Kpfw.VI Ausf.E Sd.Kfz.181

Early 1943 North African Front/ Tunisia

Initial Production



Assembly Icon



OPTIONAL
选择



CEMENT
膠水



DO NOT CEMENT
不使用膠水



INSTANT CEMENT
瞬間接著劑



BEND
彎折



MAKE 2pcs
製作2組



OPEN HOLE
鑽孔



REMOVE
切除



BE CAREFUL
注意



APPLY DECAL
貼上水貼紙



Read carefully and fully understand the instructions before commencing assembly.

Supervising adult should also read the instructions if a child assembles the model.

When you used glue or paint, do not use near a naked flame, and use in a well-ventilated room.

When assembling this kit, tools including knives are used. Extra care should be taken to avoid personal injury.

Read and follow the instructions supplied with paints and/ or cement. Use plastic cement and paints only.

Keep out of reach of small children. Children must not be allowed to suck any part, or pull vinyl bag over the head.

在裝配前仔細閱讀說明並完全理解。小孩裝配時需成人看護且需仔細閱讀說明。

使用膠水和油漆時，應遠離火源並打開窗戶保持空氣流通。

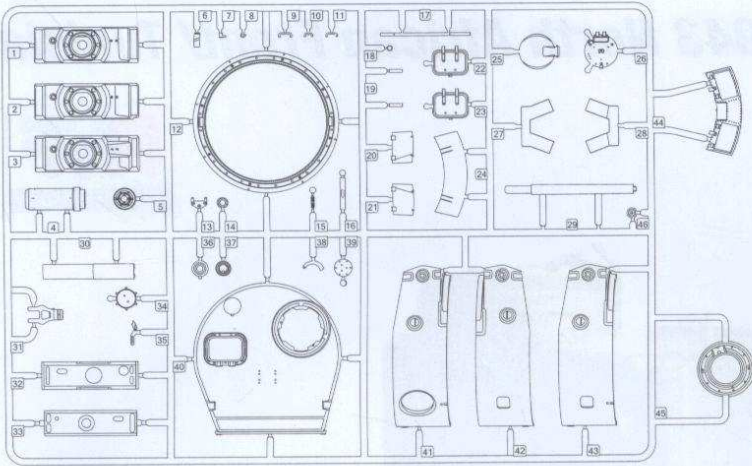
製作時請格外注意工具刀和零件的鋒利尖銳部分，避免對身體造成傷害。

在使用膠水和油漆前仔細閱讀注意事項，按照說明正確使用膠水和油漆。

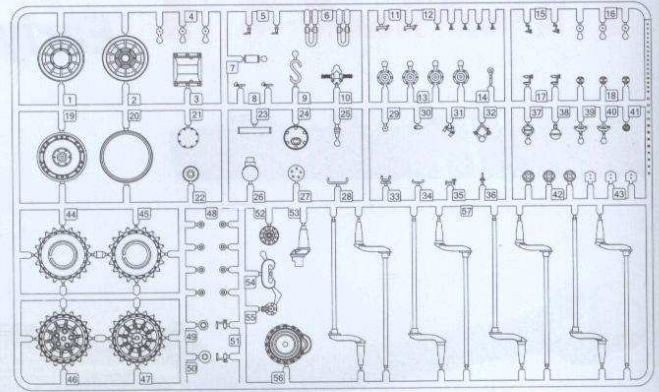
請將本品放在兒童接觸不到的地方，套件中的塑膠包裝袋會對兒童造成窒息的危險。

Parts

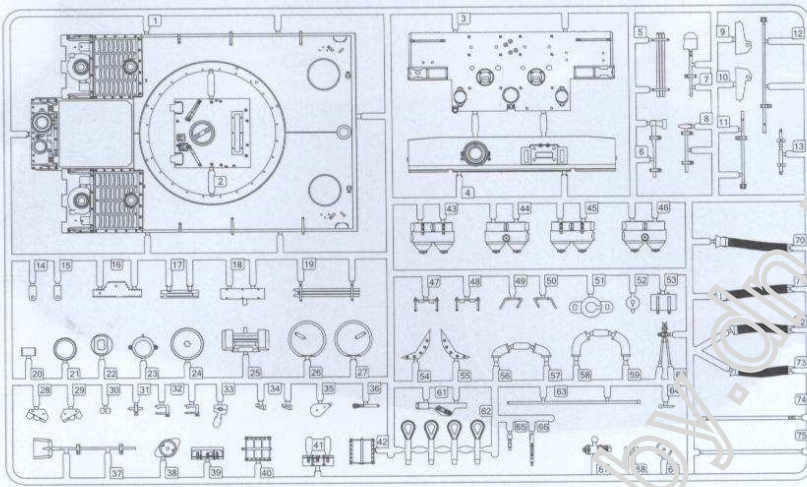
A x1



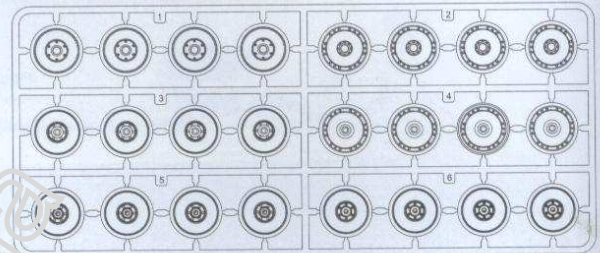
D x2



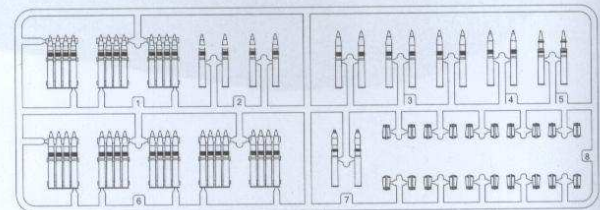
B x1



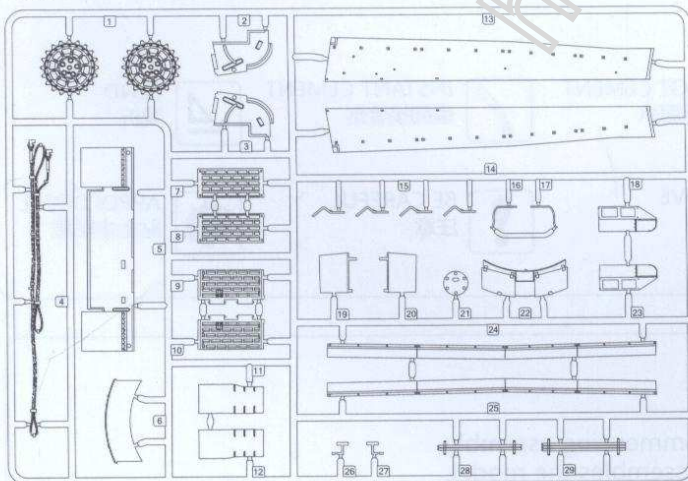
C x2



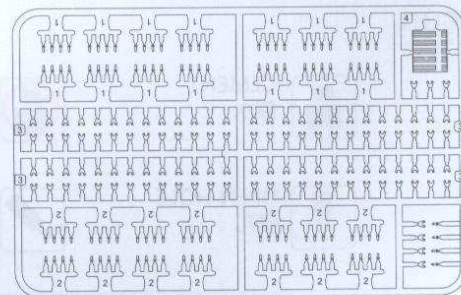
M x2



E x1



N x4



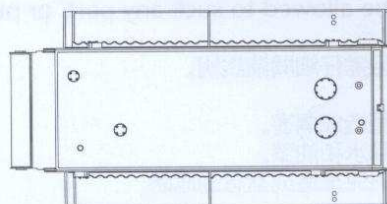
Sting 40cm



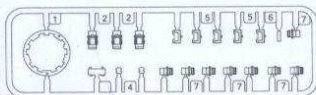
Track x192



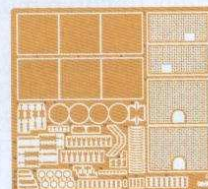
Lower hull x1



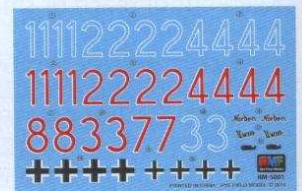
T x1



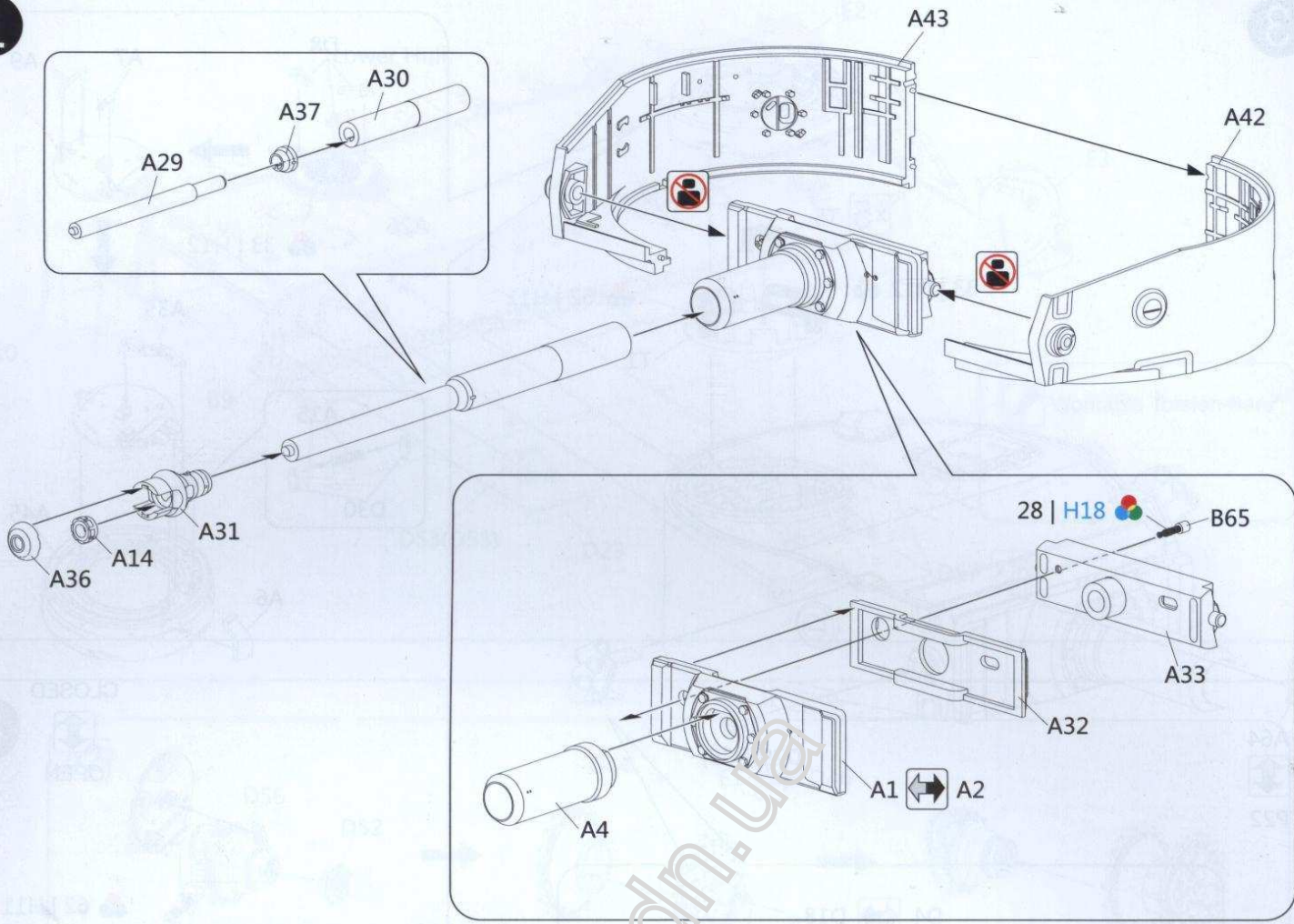
P x1



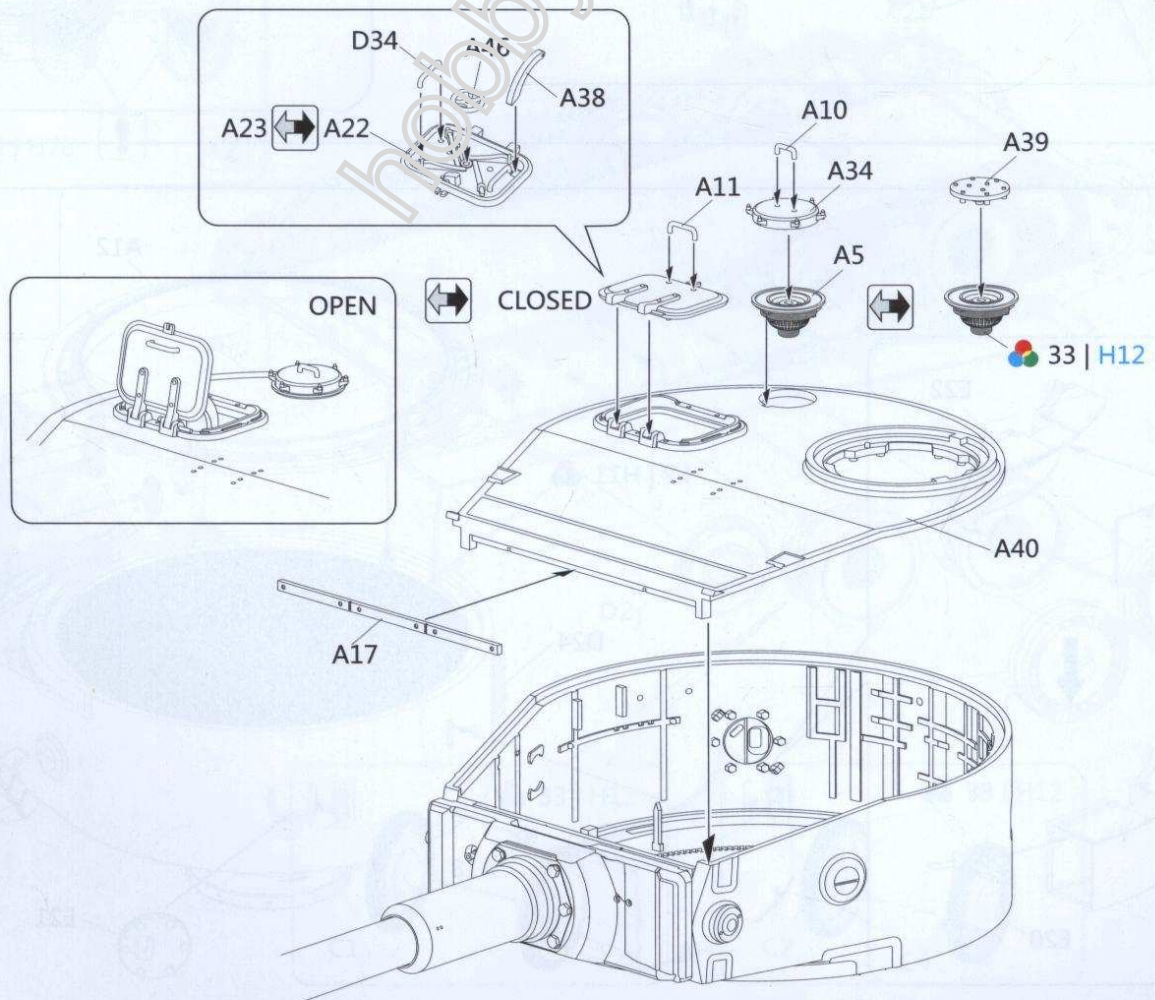
Decal x1



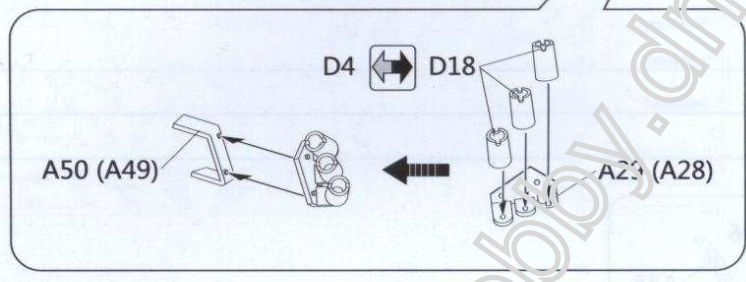
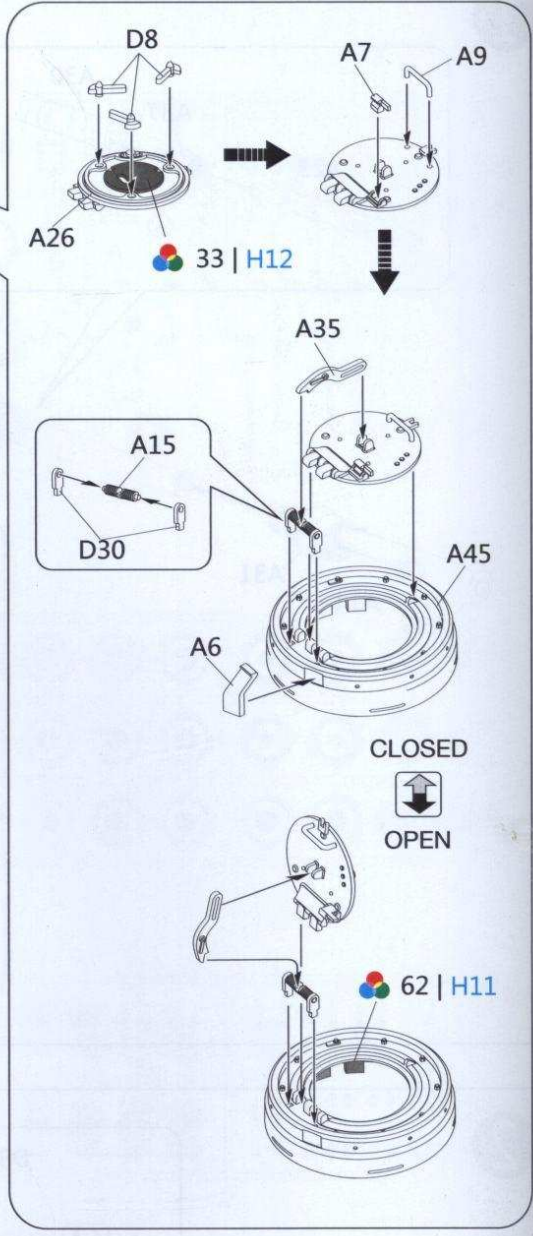
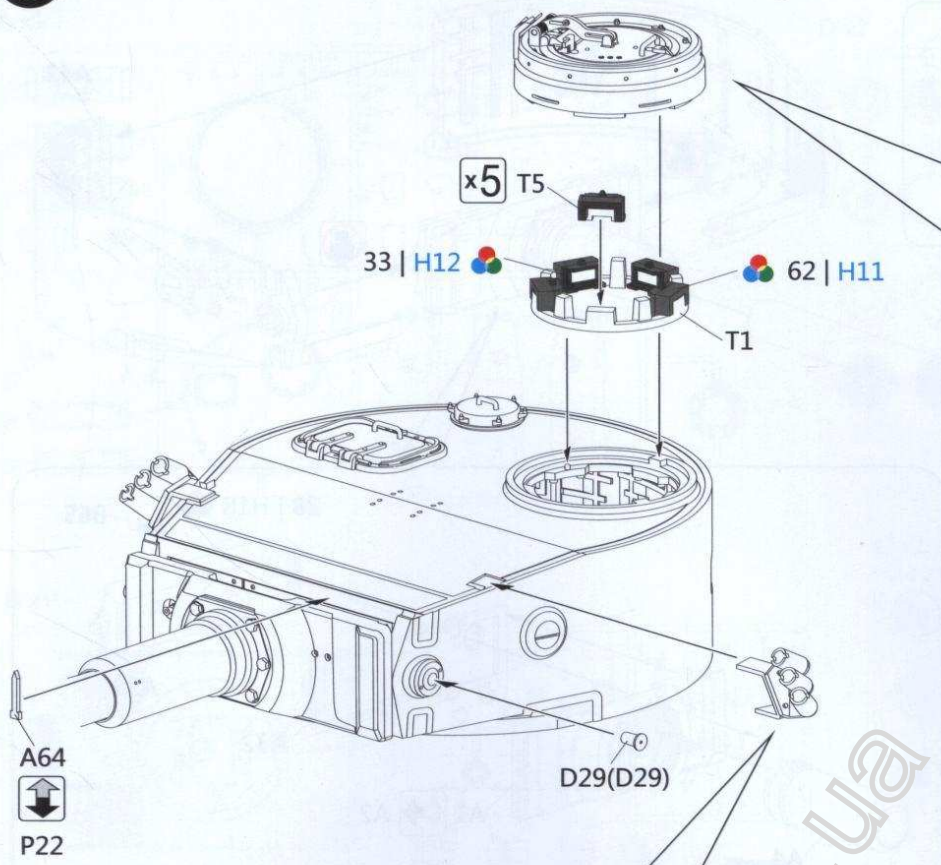
1



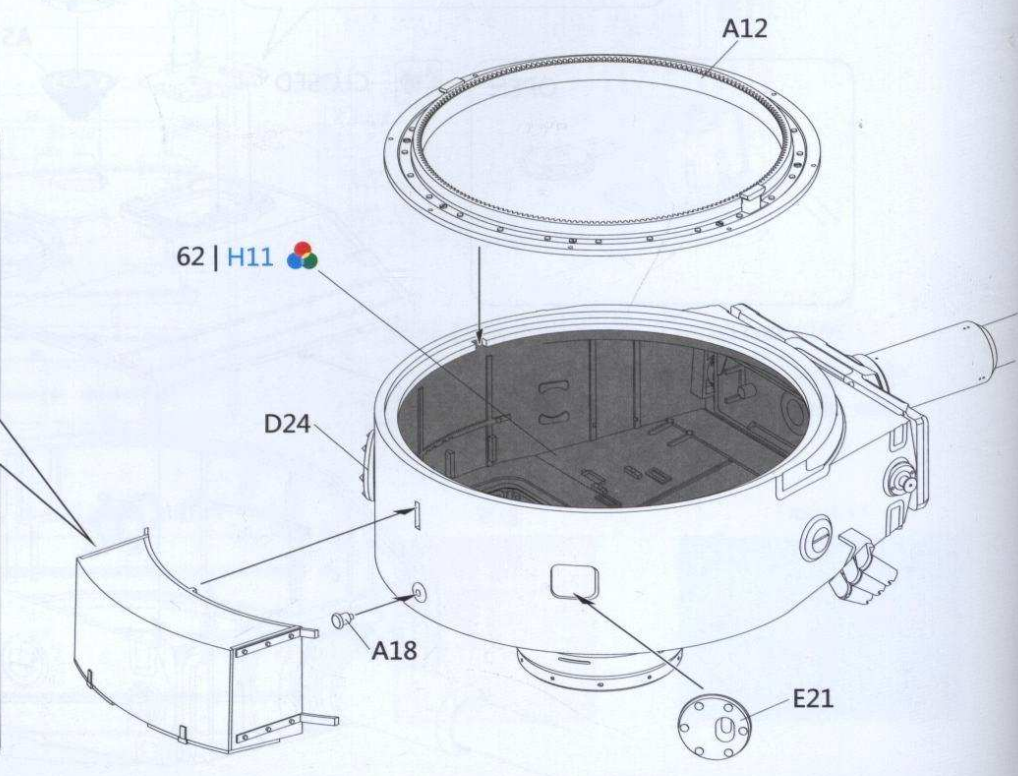
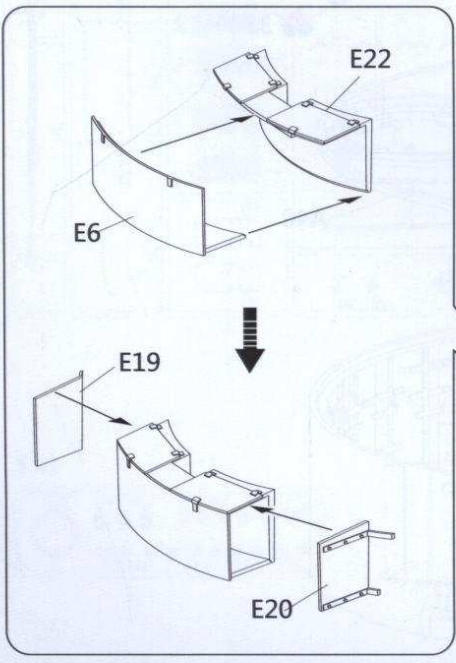
2



3

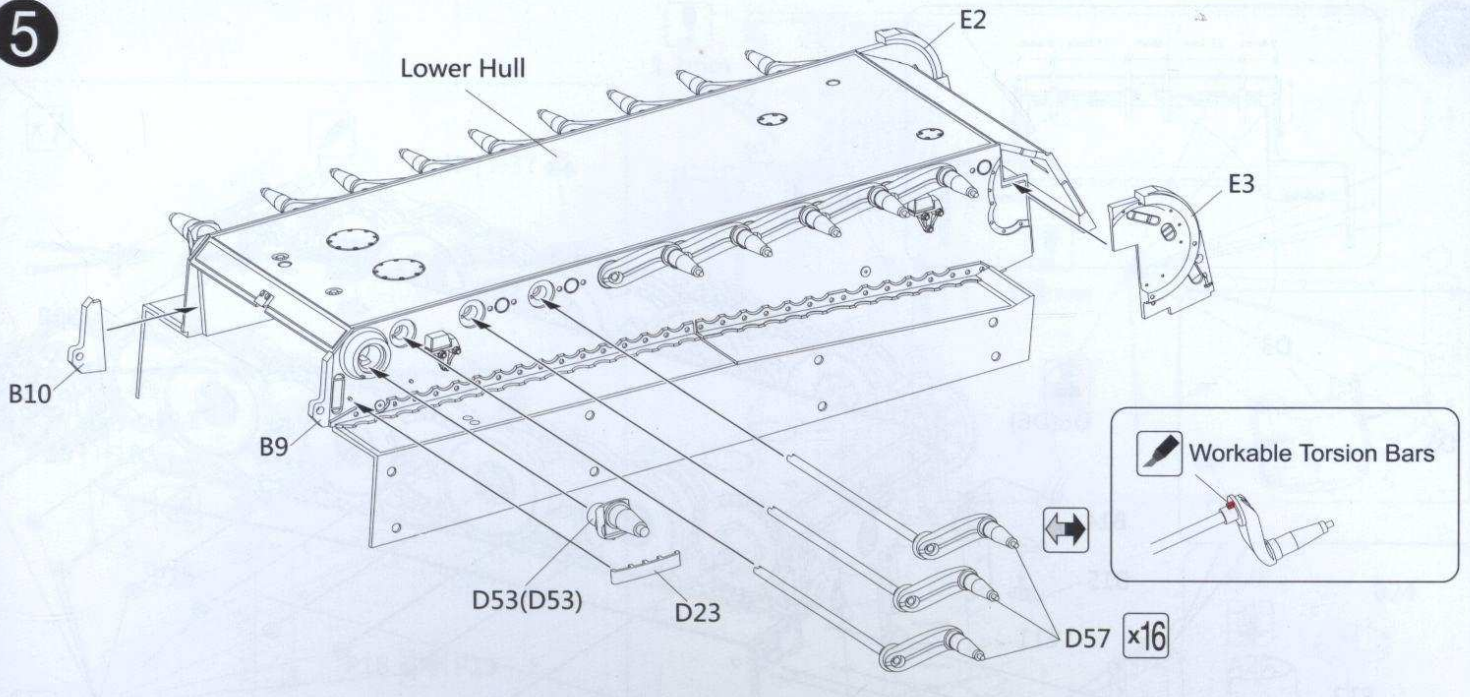


4



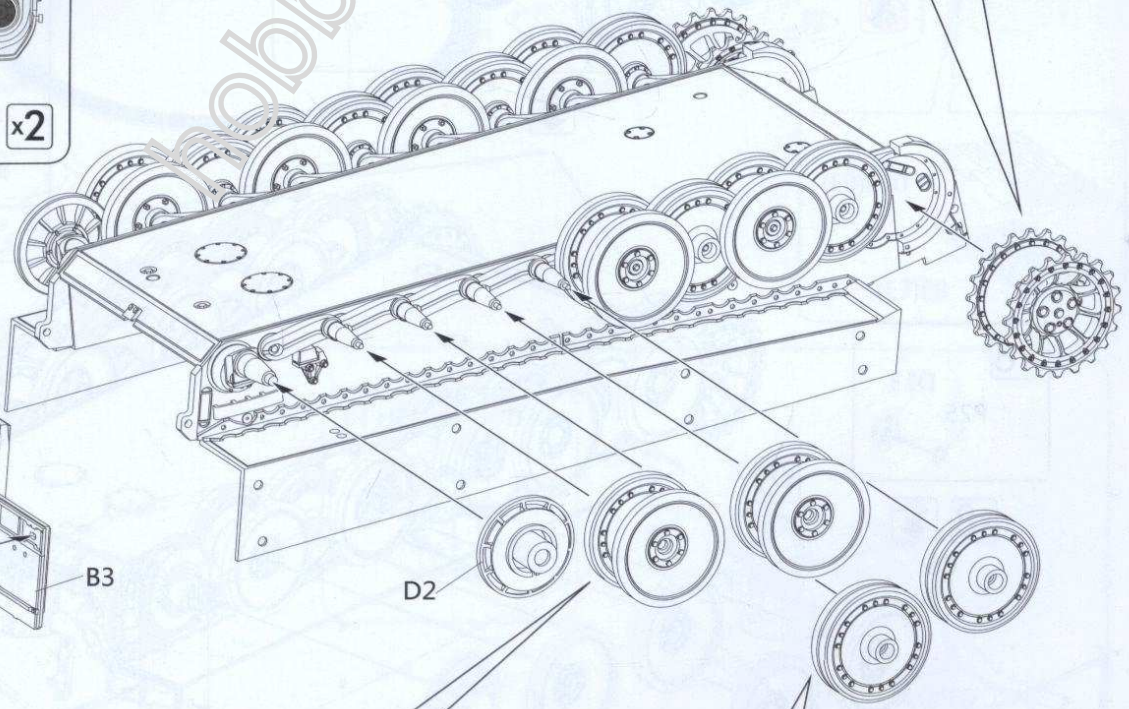
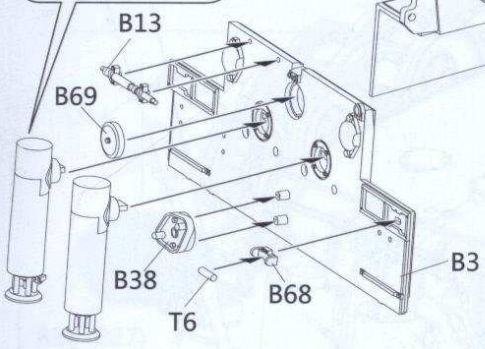
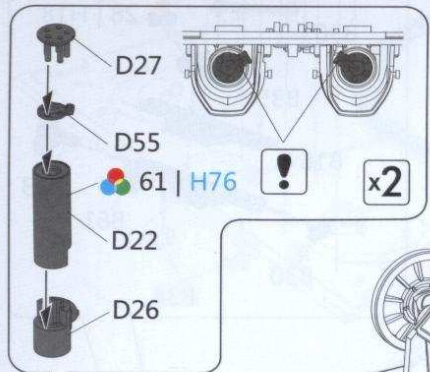
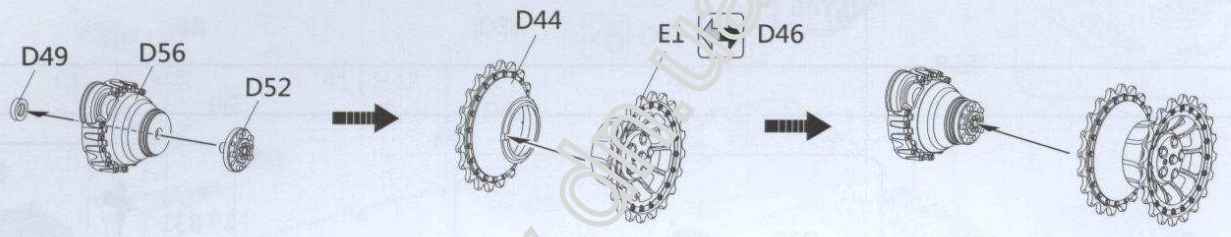
5

Lower Hull



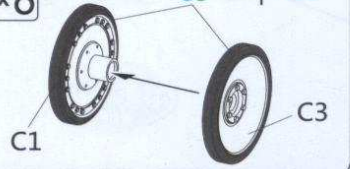
6

x2



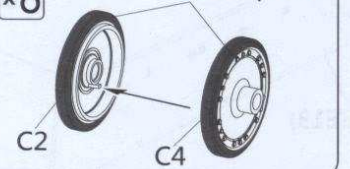
x8

33 | H12

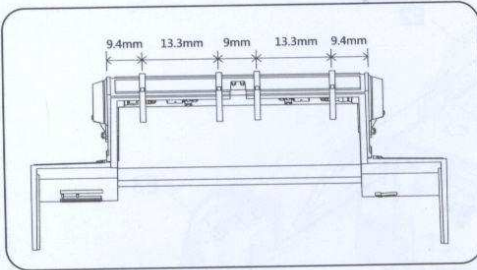


x8

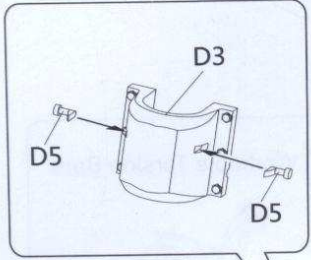
33 | H12



7



E15 x4



B14

B15

E11

E12

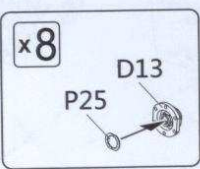
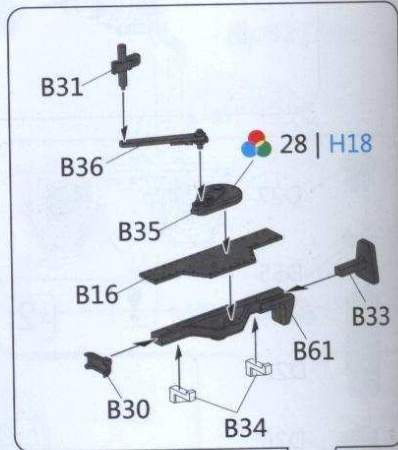
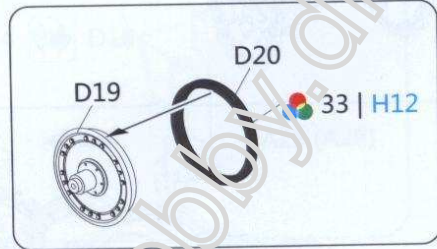
B53

B41

D50(D50)

D48 x16

8



x8 C5

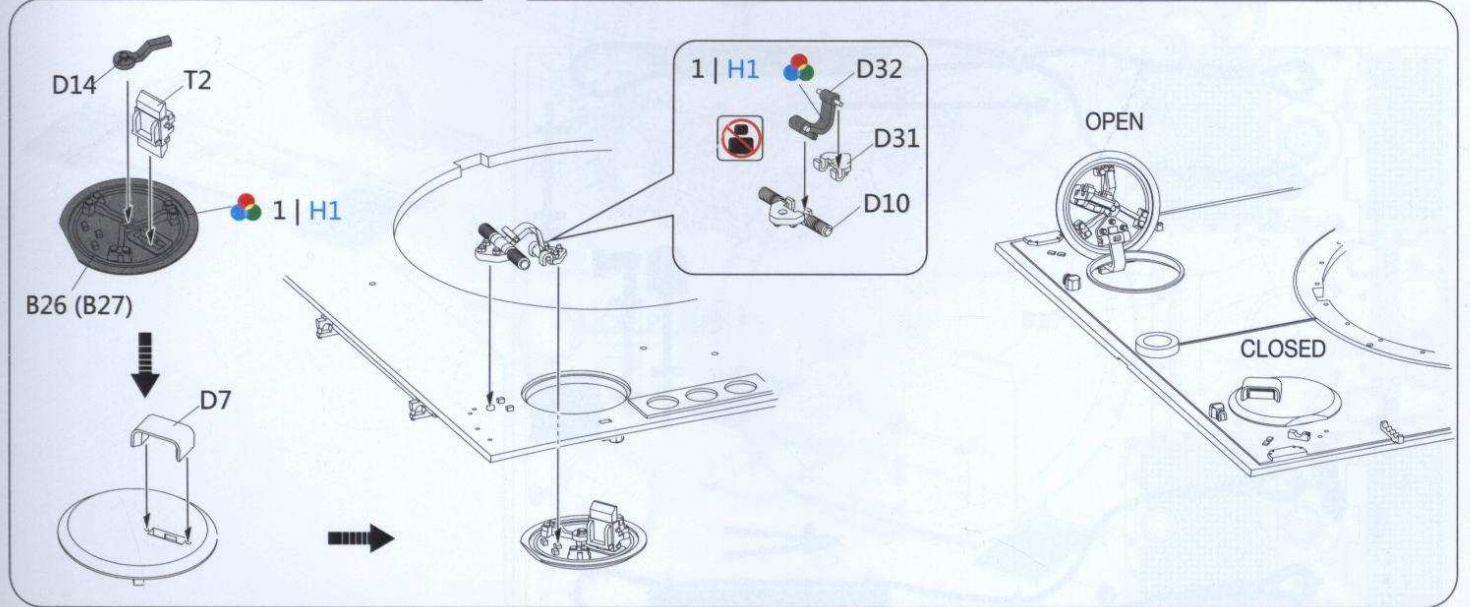
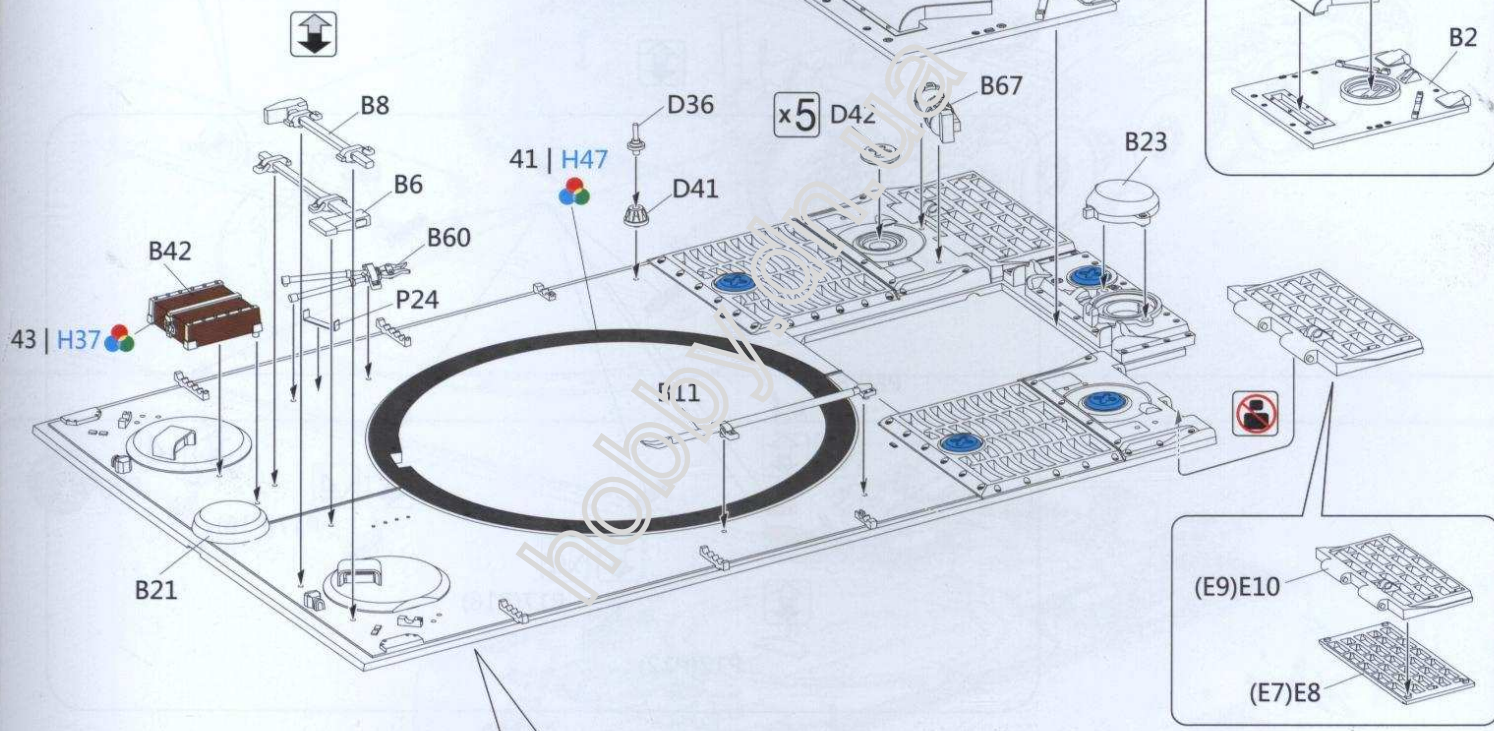
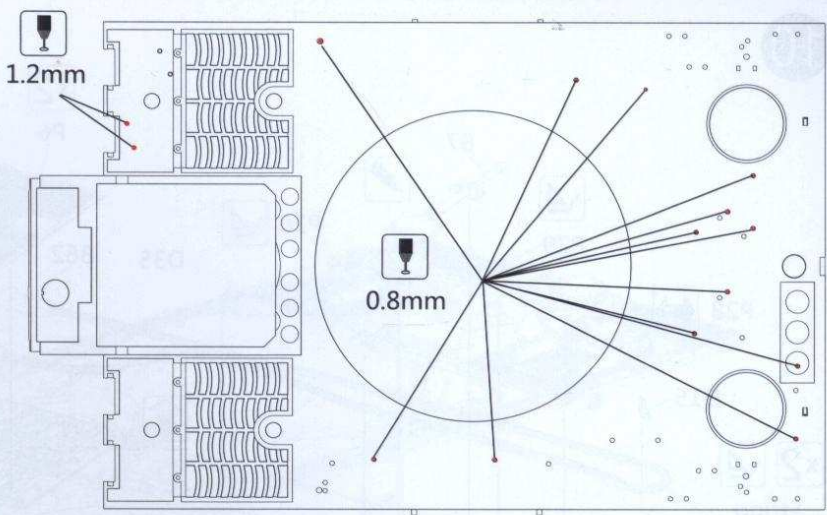
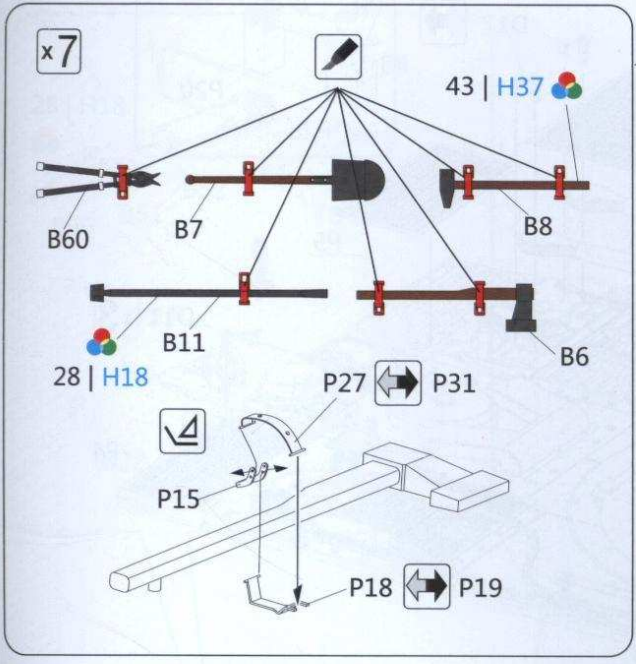
D1(D1)

E23 (E18)

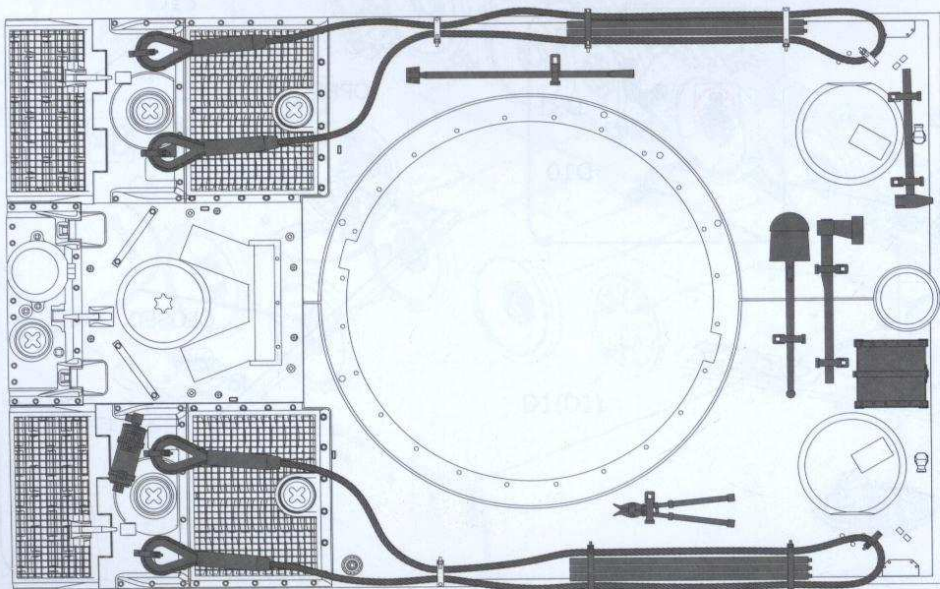
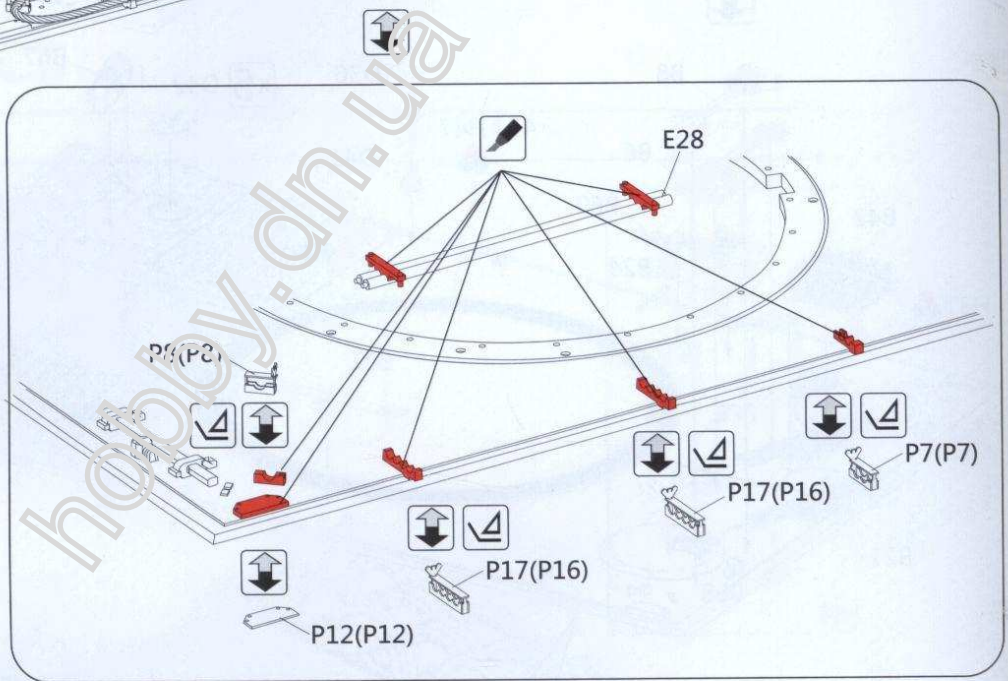
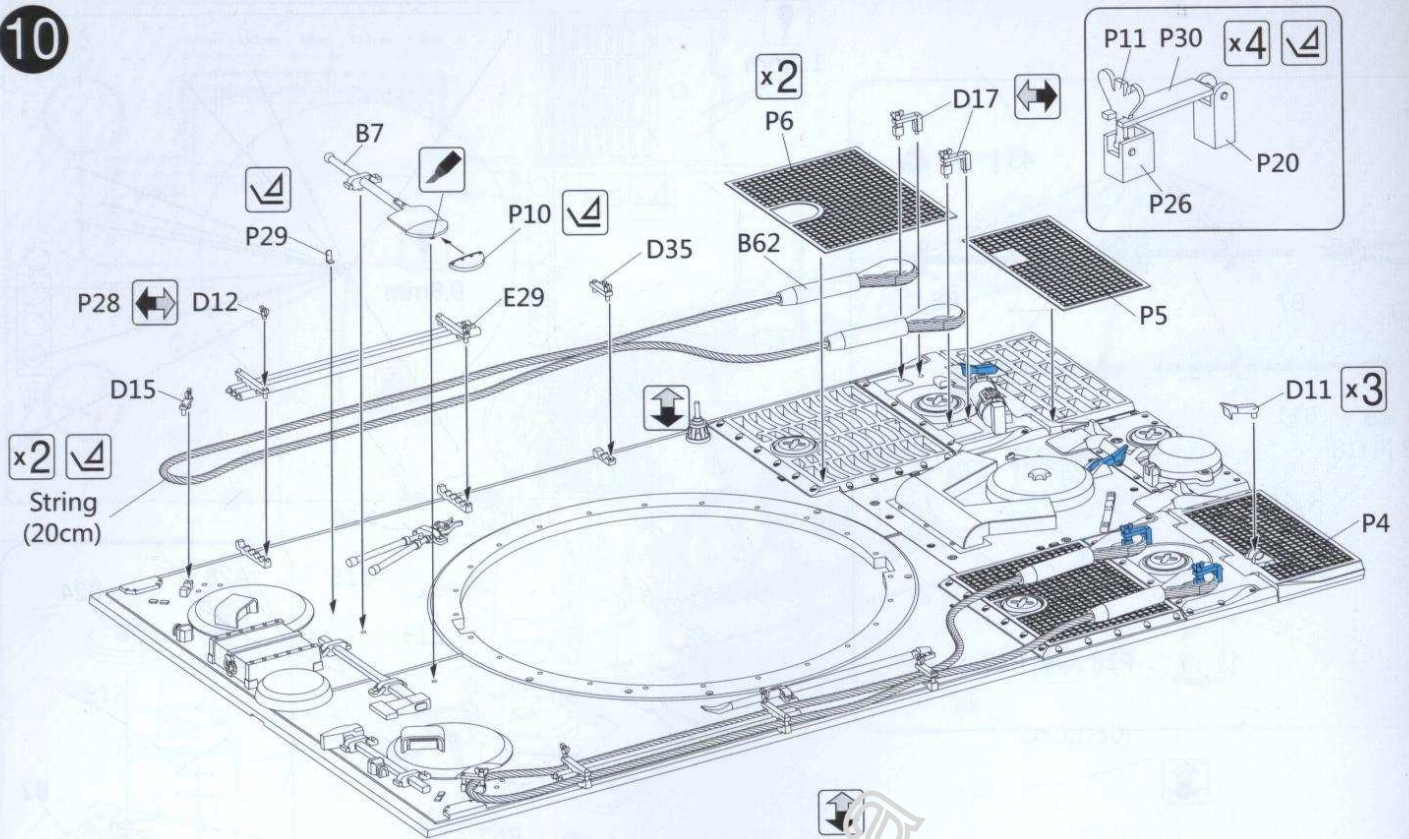
E14 (E13)

B32

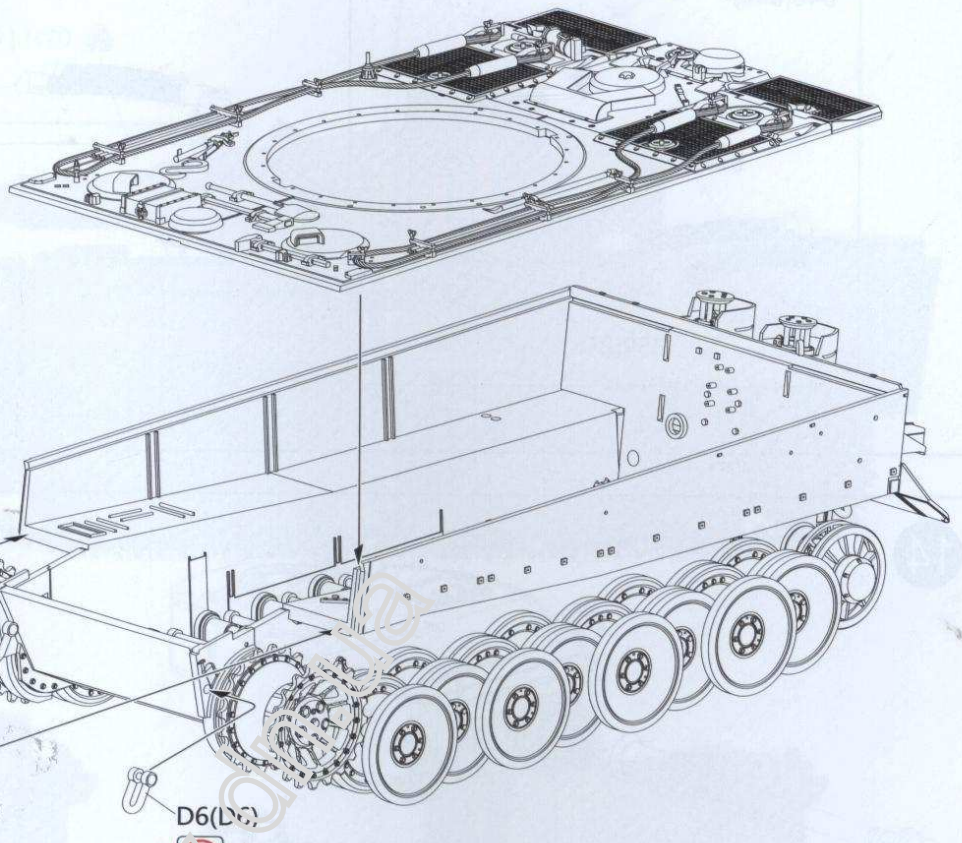
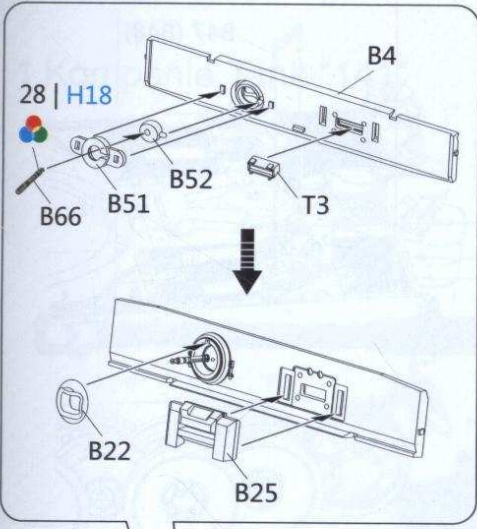
9



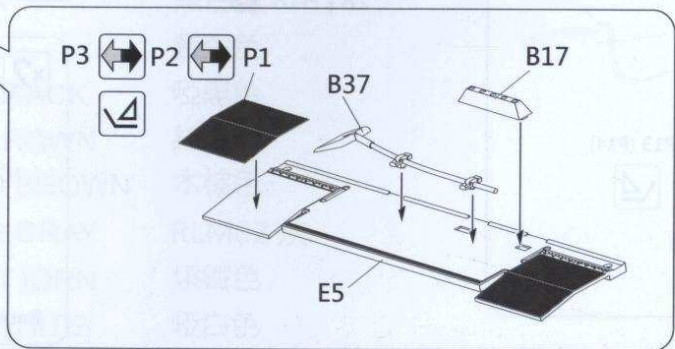
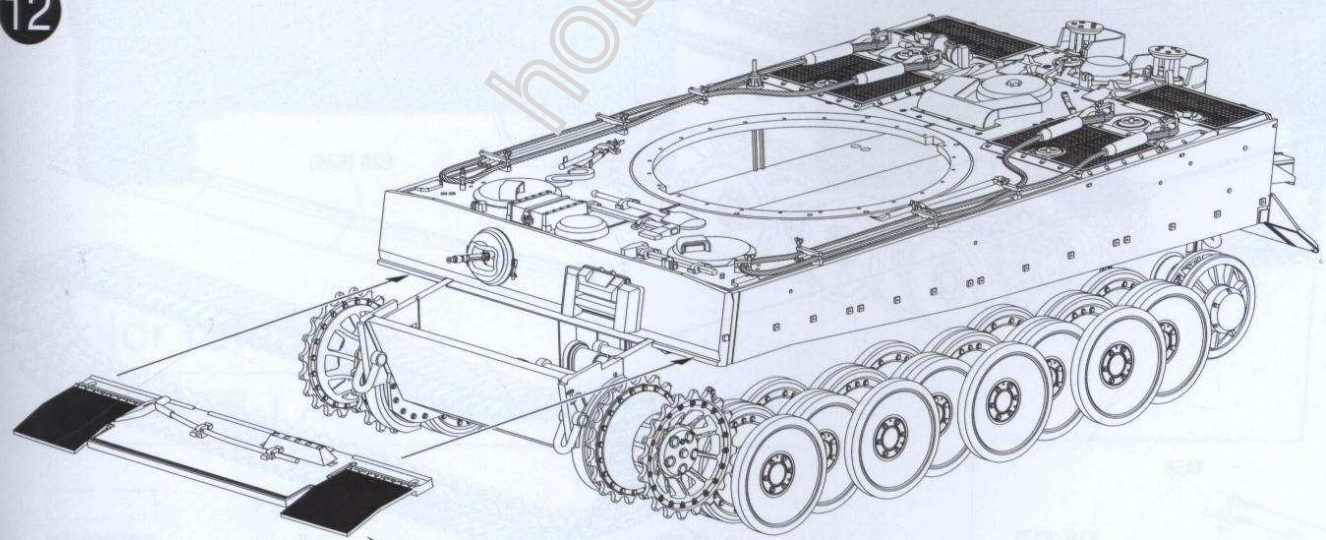
10



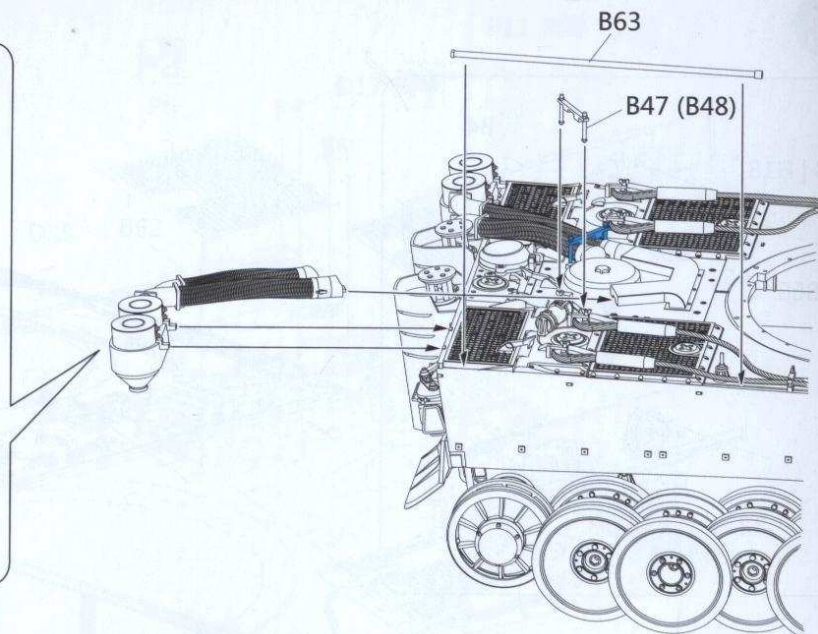
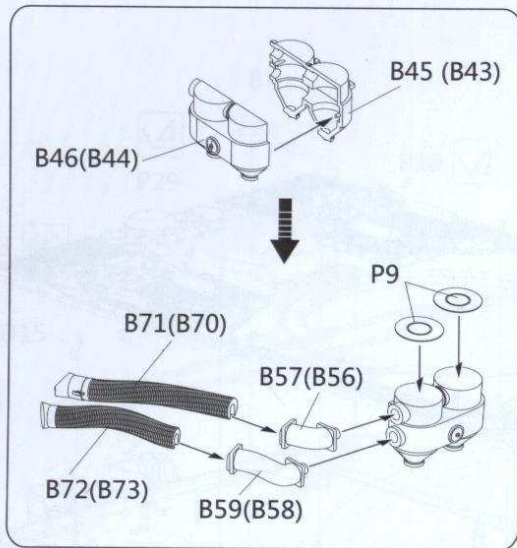
11



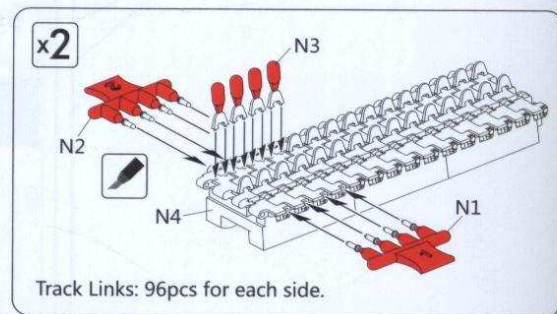
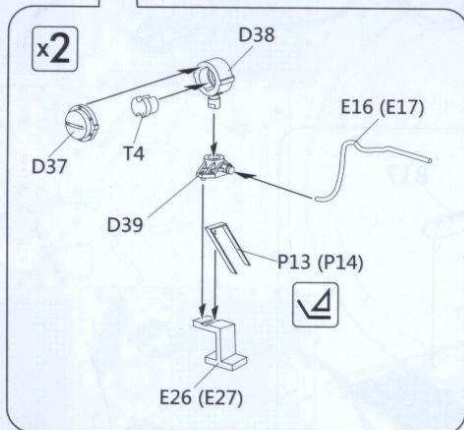
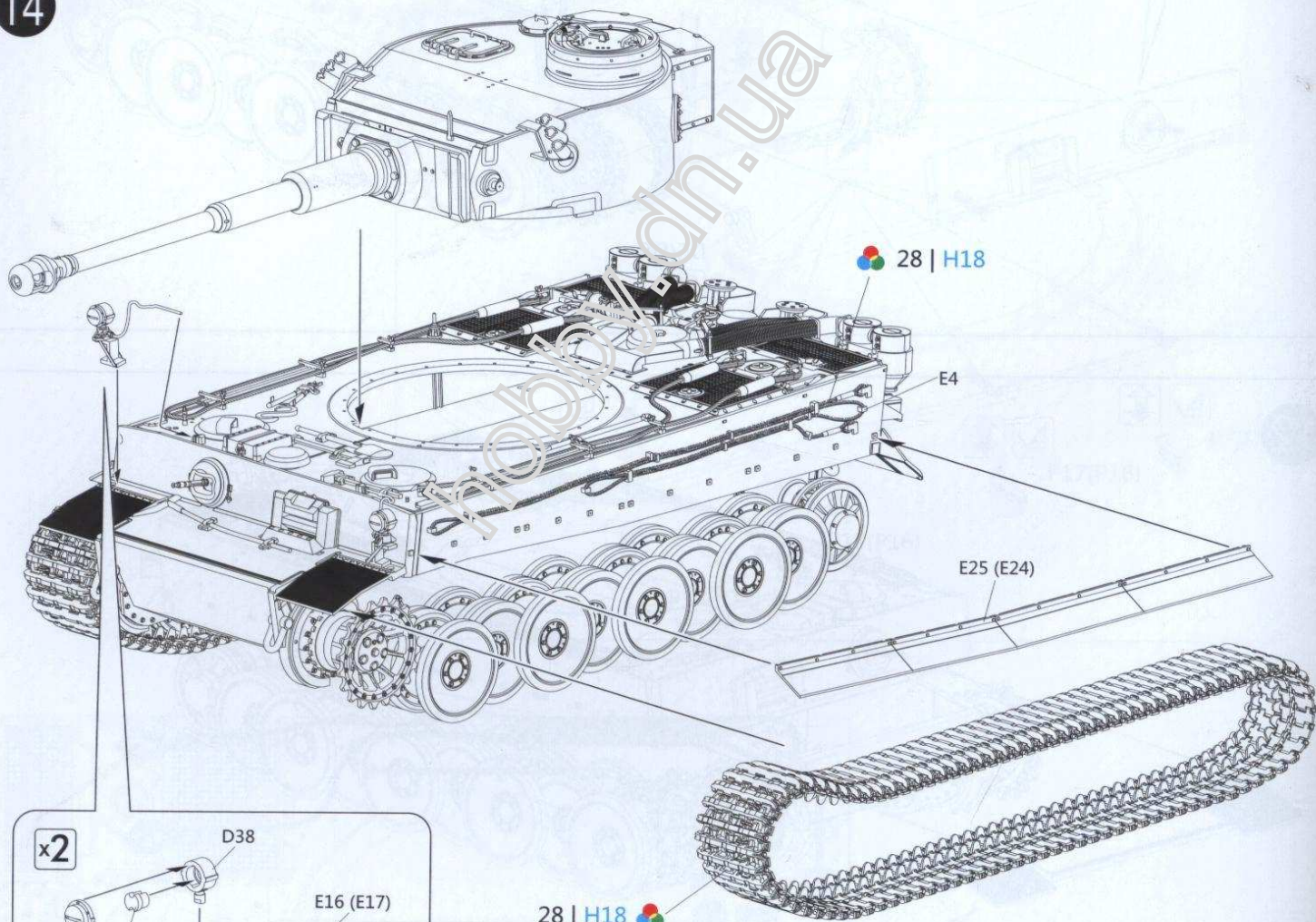
12



13



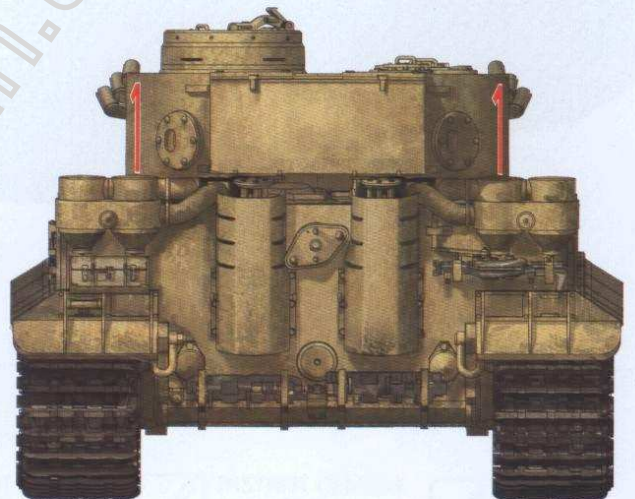
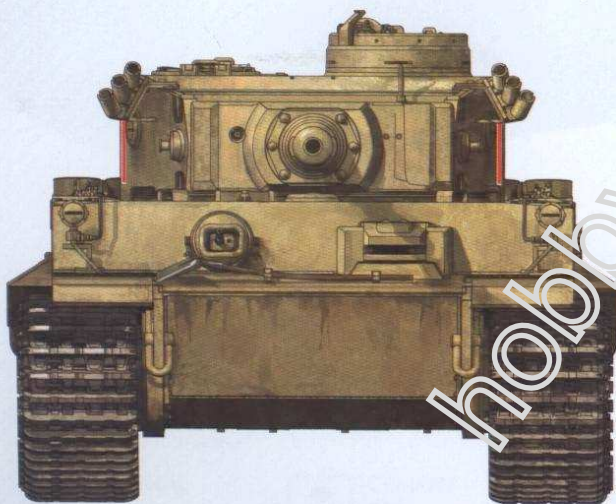
14



Track Links: 96pcs for each side.

Painting

1. Kompanie, Tank "141"



Color reference

MR.COLOR | AQUEOUS HOBBY COLOR

	1 H1	WHITE	白色
	2 H2	BLACK	黑色
	28 H18	STEEL	黑銀色
	33 H12	FLAT BLACK	啞黑色
	41 H47	RED BROWN	紅褐色
	43 H37	WOOD BROWN	木棕色
	60 H70	RLM02 GRAY	RLM02 灰
	61 H76	BURNT IORN	燒鐵色
	62 H11	FLAT WHITE	啞白色