



1/35 SCALE GERMAN TANK Sd.Kfz.173 JAGDPANTHER G2

ASSEMBLY ICONS



OPTIONAL
选择



CEMENT
膠水



DO NOT CEMENT
不使用膠水



INSTANT CEMENT
瞬間接著劑



BEND
彎折



MAKE 2
製作2組



OPEN HOLE
鑽孔



REMOVE
切除



BE CAREFUL
注意



APPLY DECAL
貼上水貼紙

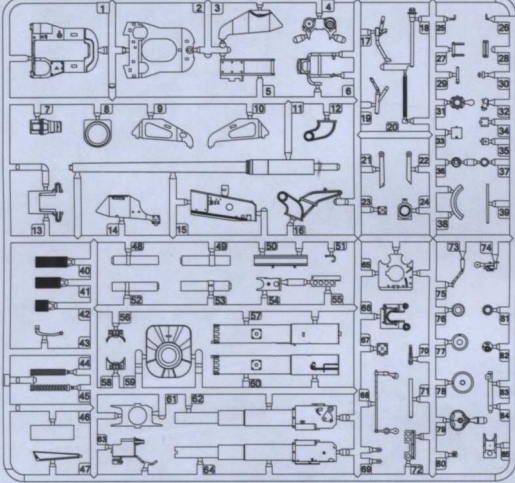
CAUTION!

Read carefully and fully understand the instructions before commencing assembly.
Supervising adult should also read the instructions if a child assembles the model.
When you used glue or paint, do not use near a naked flame, and use in a well-ventilated room.
When assembling this kit, tools including knives are used. Extra care should be taken to avoid personal injury.
Read and follow the instructions supplied with paints and/ or cement. Use plastic cement and paints only.
Keep out of reach of small children. Children must not be allowed to suck any part, or pull vinyl bag over the head.

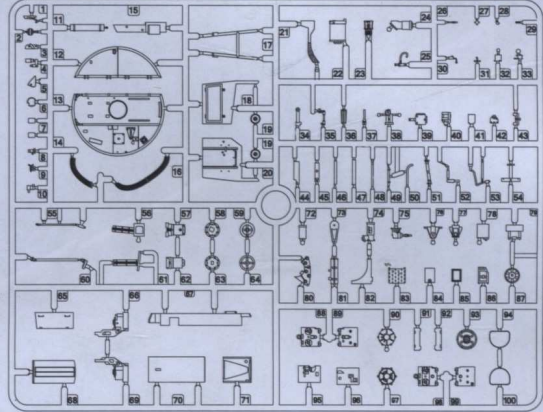
在裝配前仔細閱讀說明並完全理解。小孩裝配時需成人看護且需仔細閱讀說明。
使用膠水和油漆時，應遠離火源並打開窗戶保持空氣流通。
製作時請格外注意工具刀和零件的鋒利尖銳部分，避免對身體造成傷害。
在使用膠水和油漆前仔細閱讀注意事項，按照說明正確使用膠水和油漆。
請將本品放在兒童接觸不到的地方，套件中的塑膠包裝袋會對兒童造成窒息的危險。

PARTS 部品图

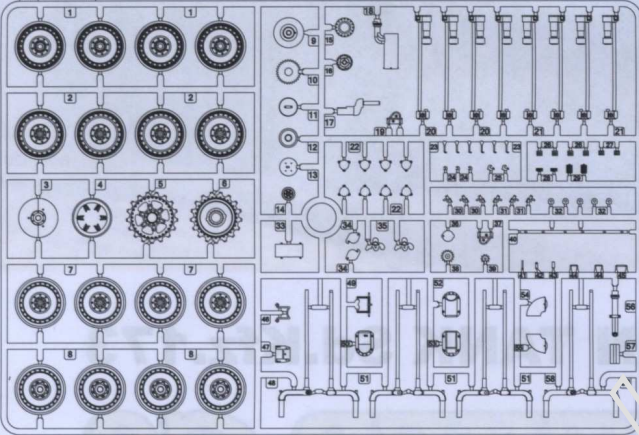
A 1/35 JAGDPANTHER



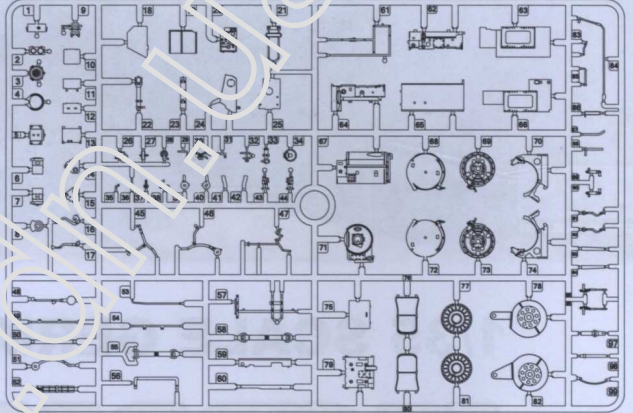
B PANTHER



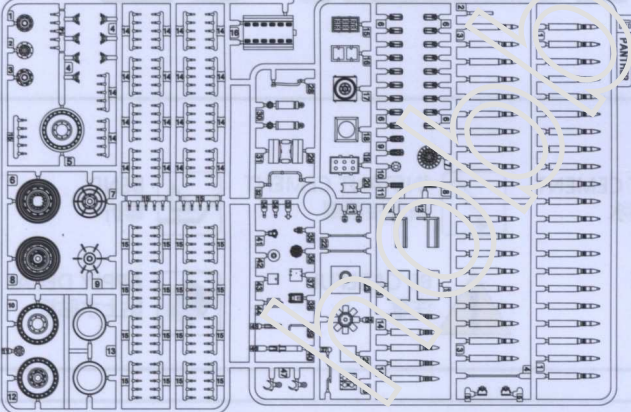
C PANTHER



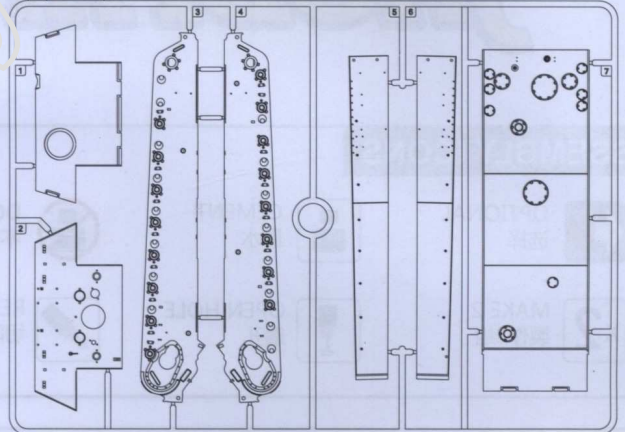
D PANTHER



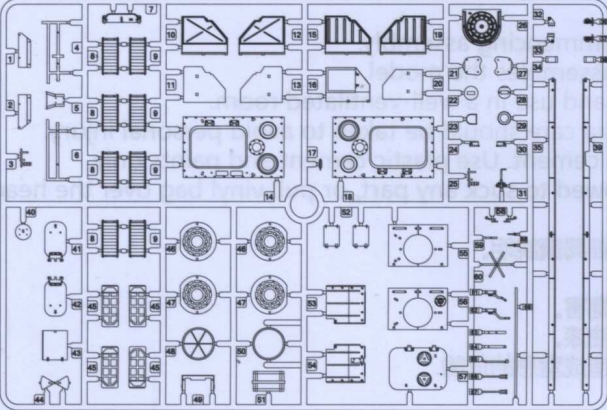
E PANTHER



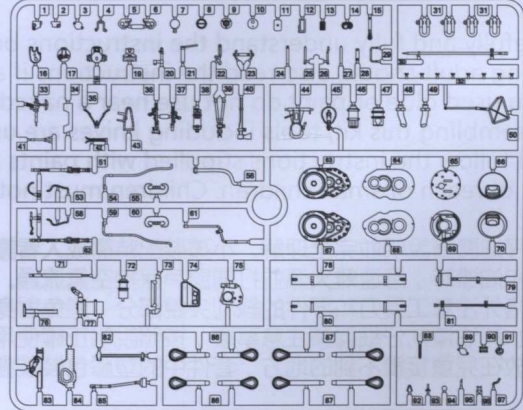
F PANTHER



G PANTHER

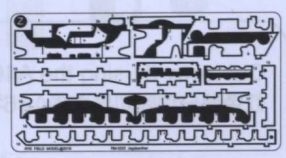
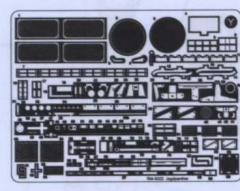
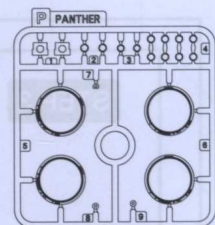
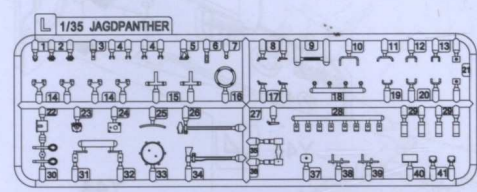
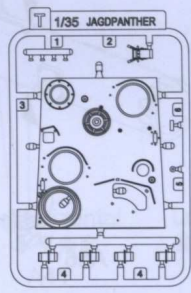
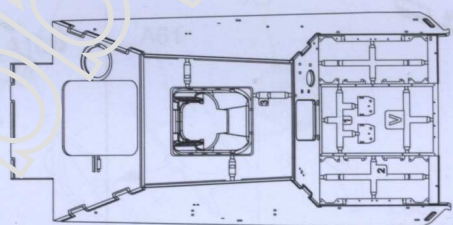
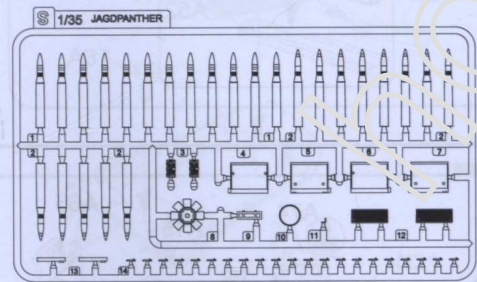
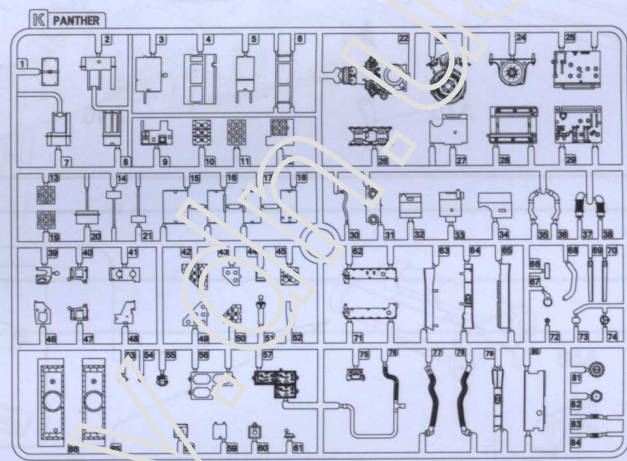
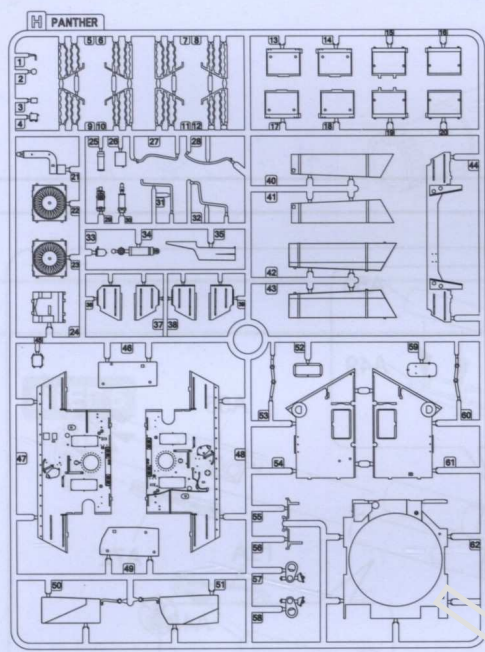
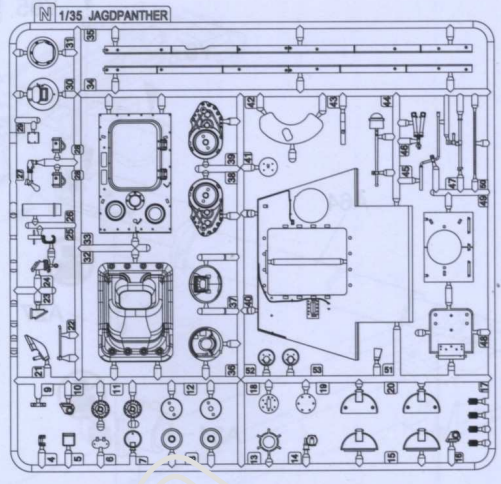
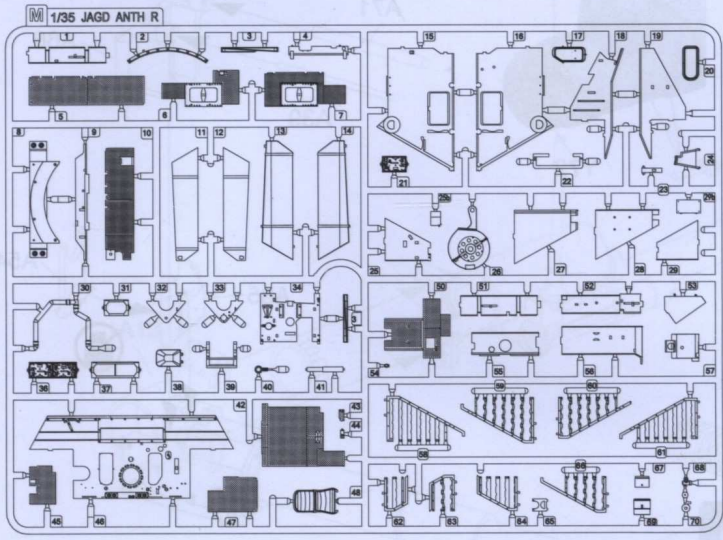


H PANTHER

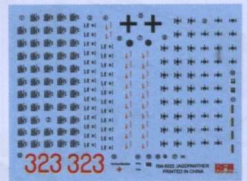
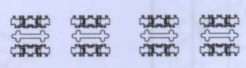


PARTS 部品图

STEP 1



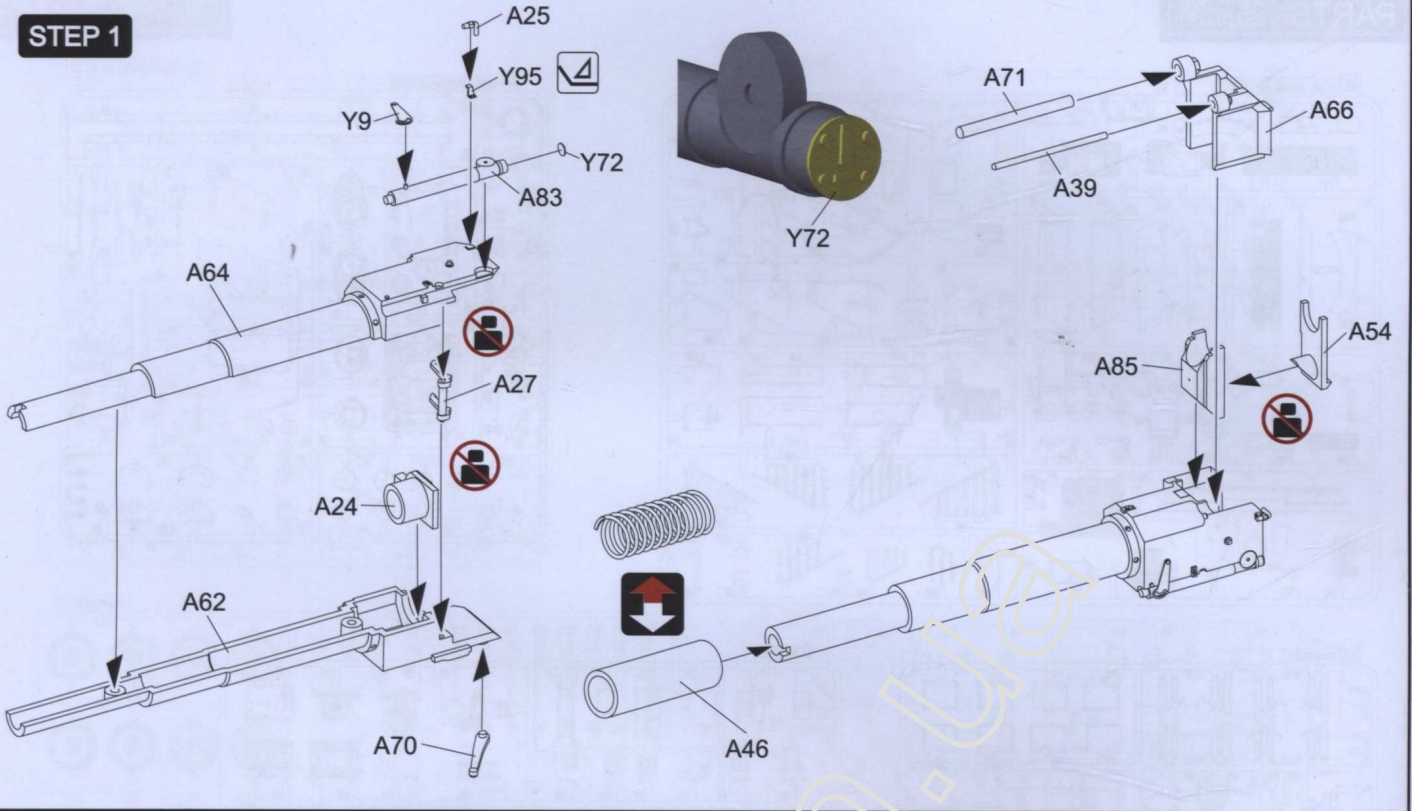
Track Links x190



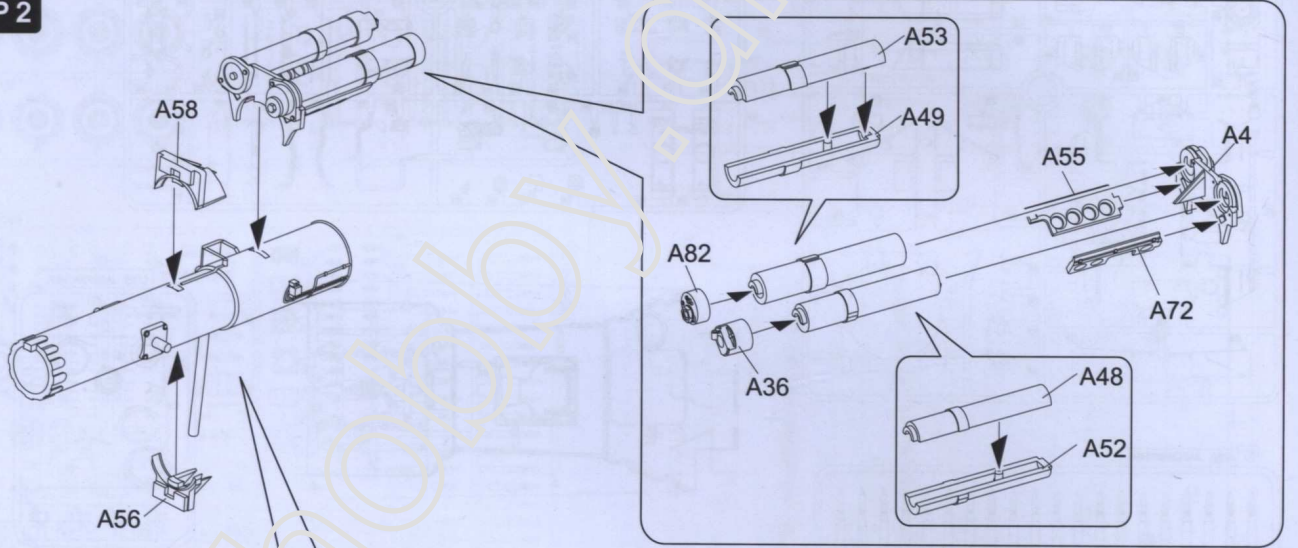
Metal Cable 1 40 cm

Metal Cable 2 21 cm

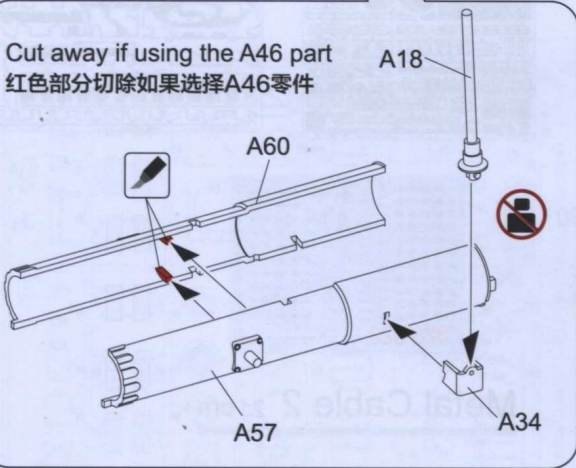
STEP 1



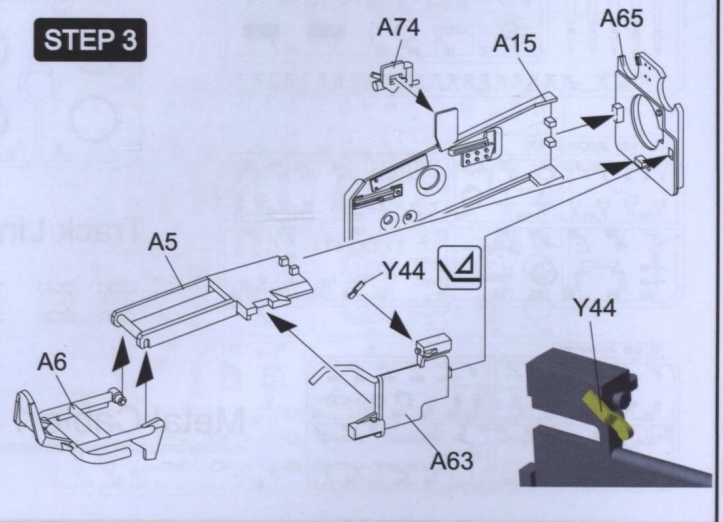
STEP 2



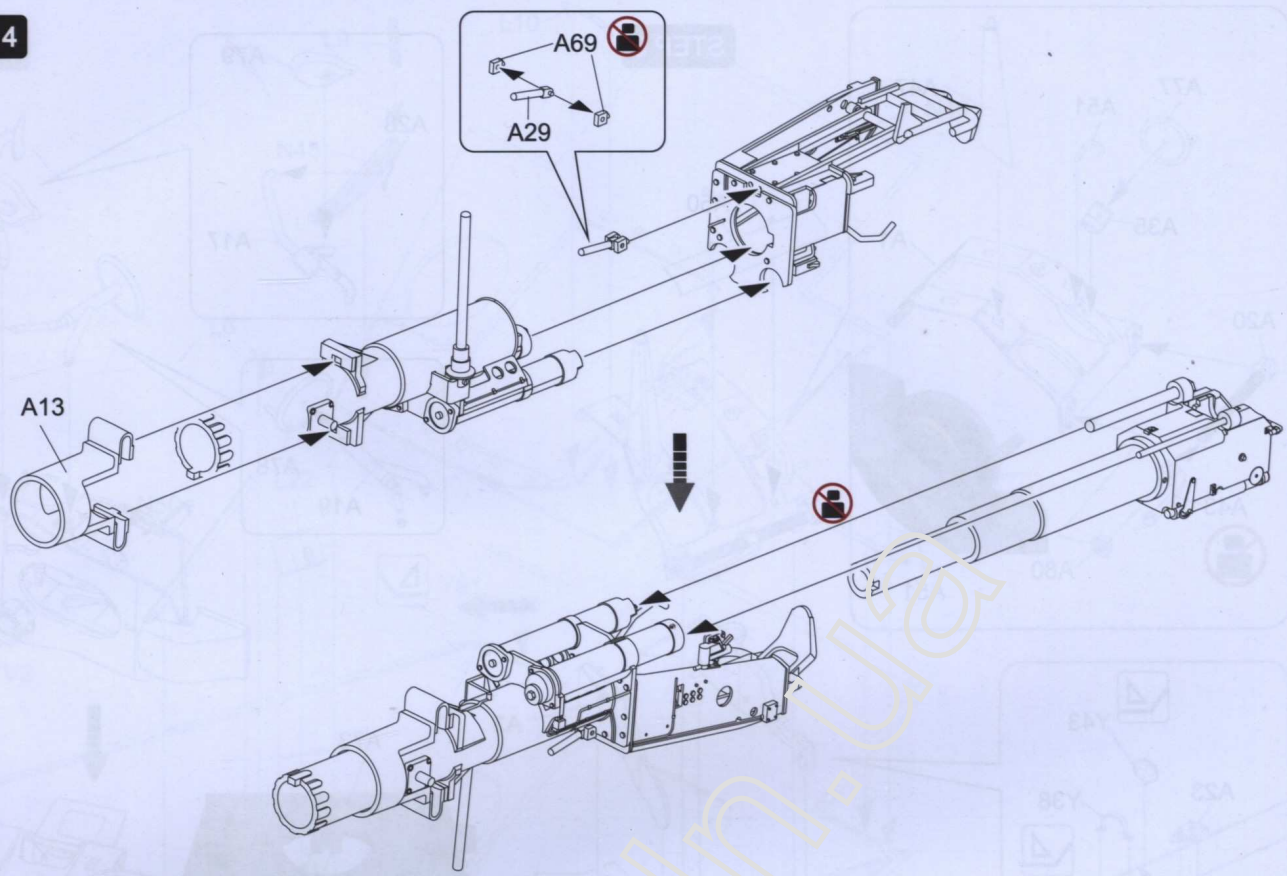
Cut away if using the A46 part
红色部分切除如果选择A46零件



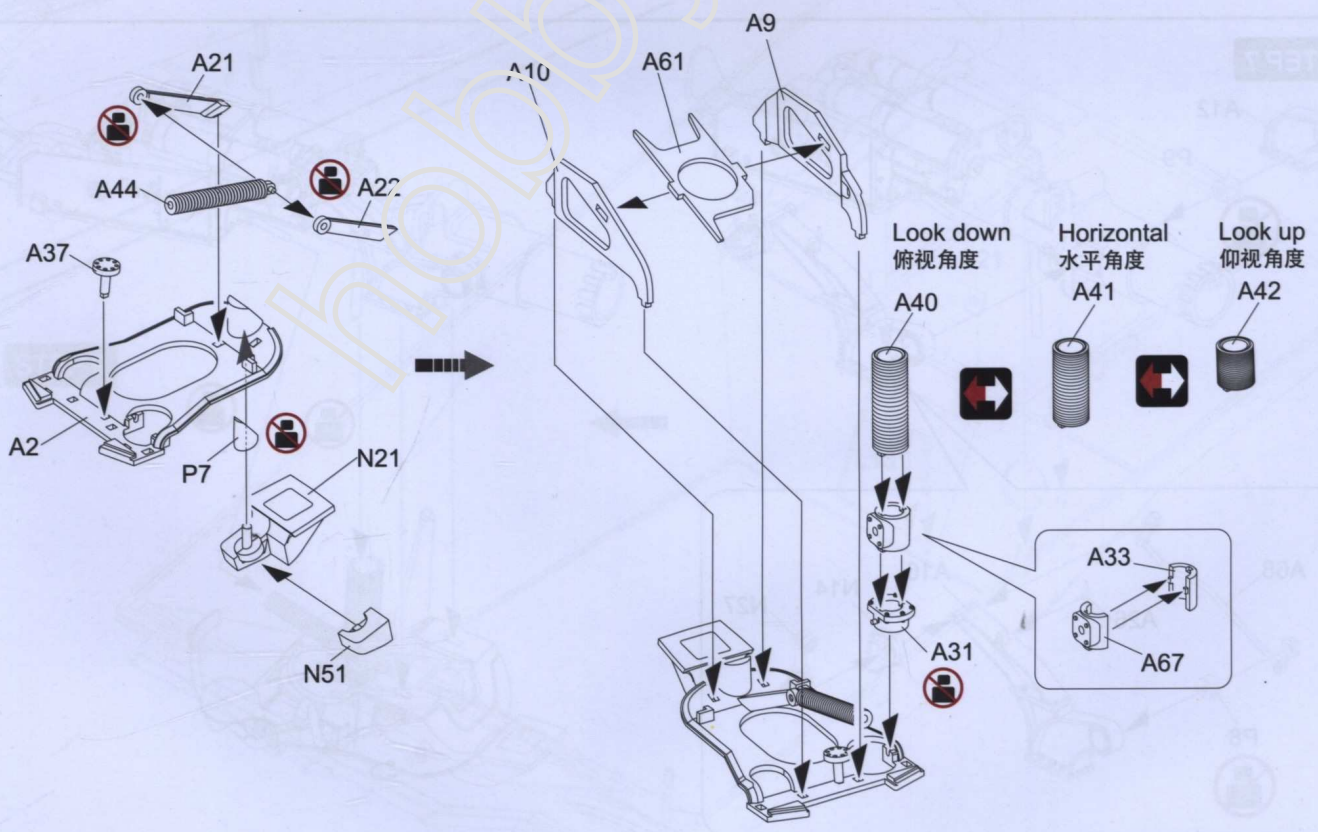
STEP 3



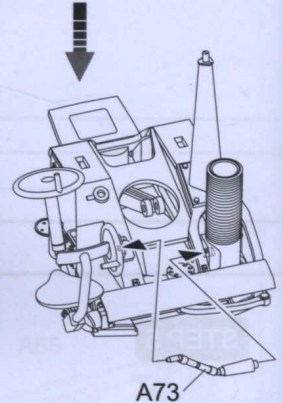
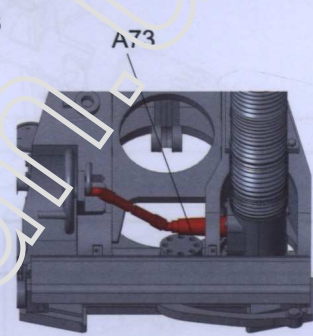
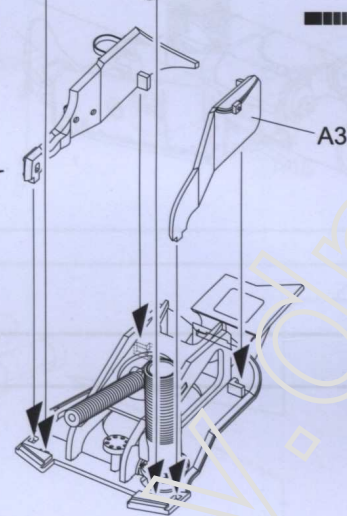
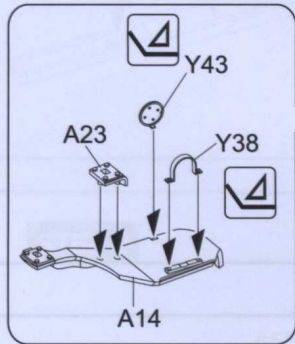
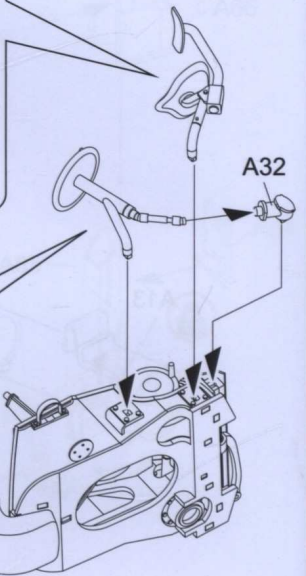
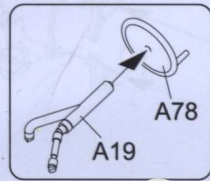
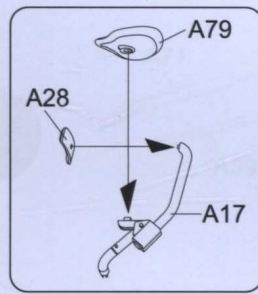
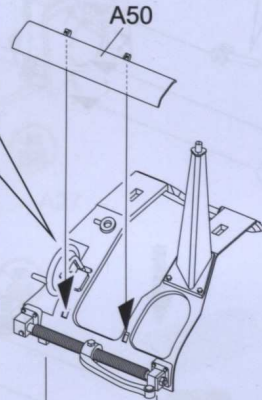
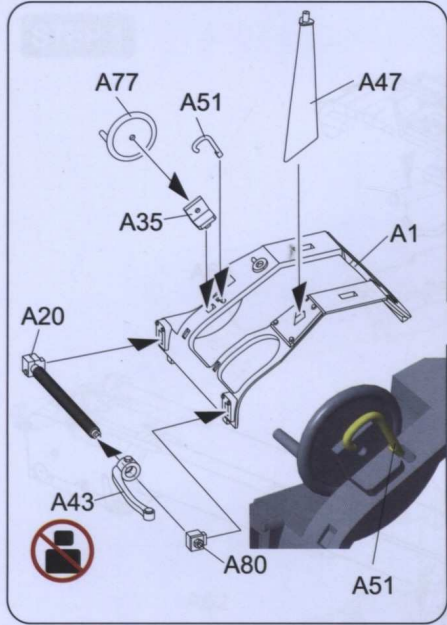
STEP 4



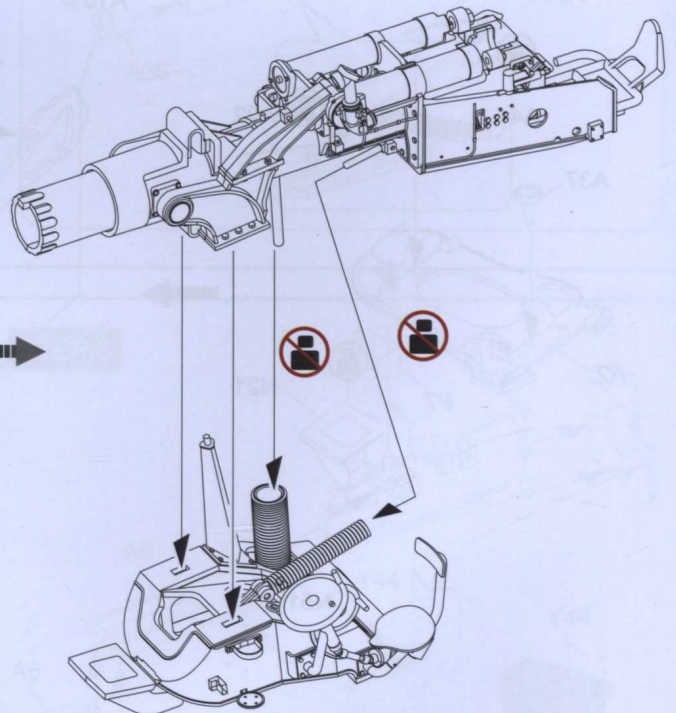
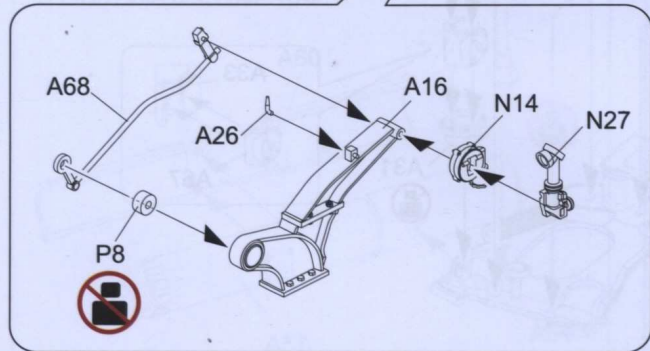
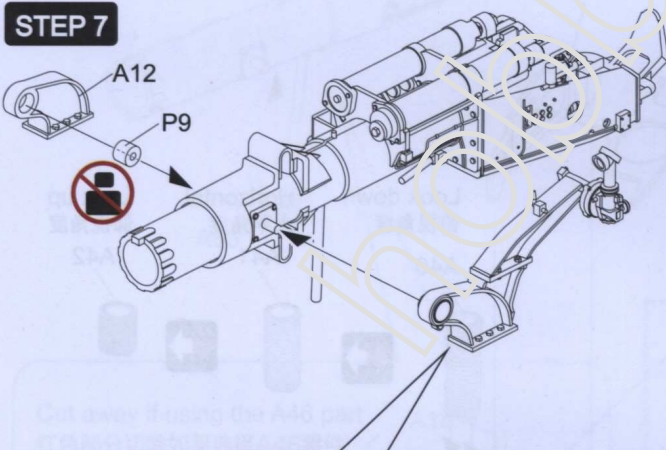
STEP 5



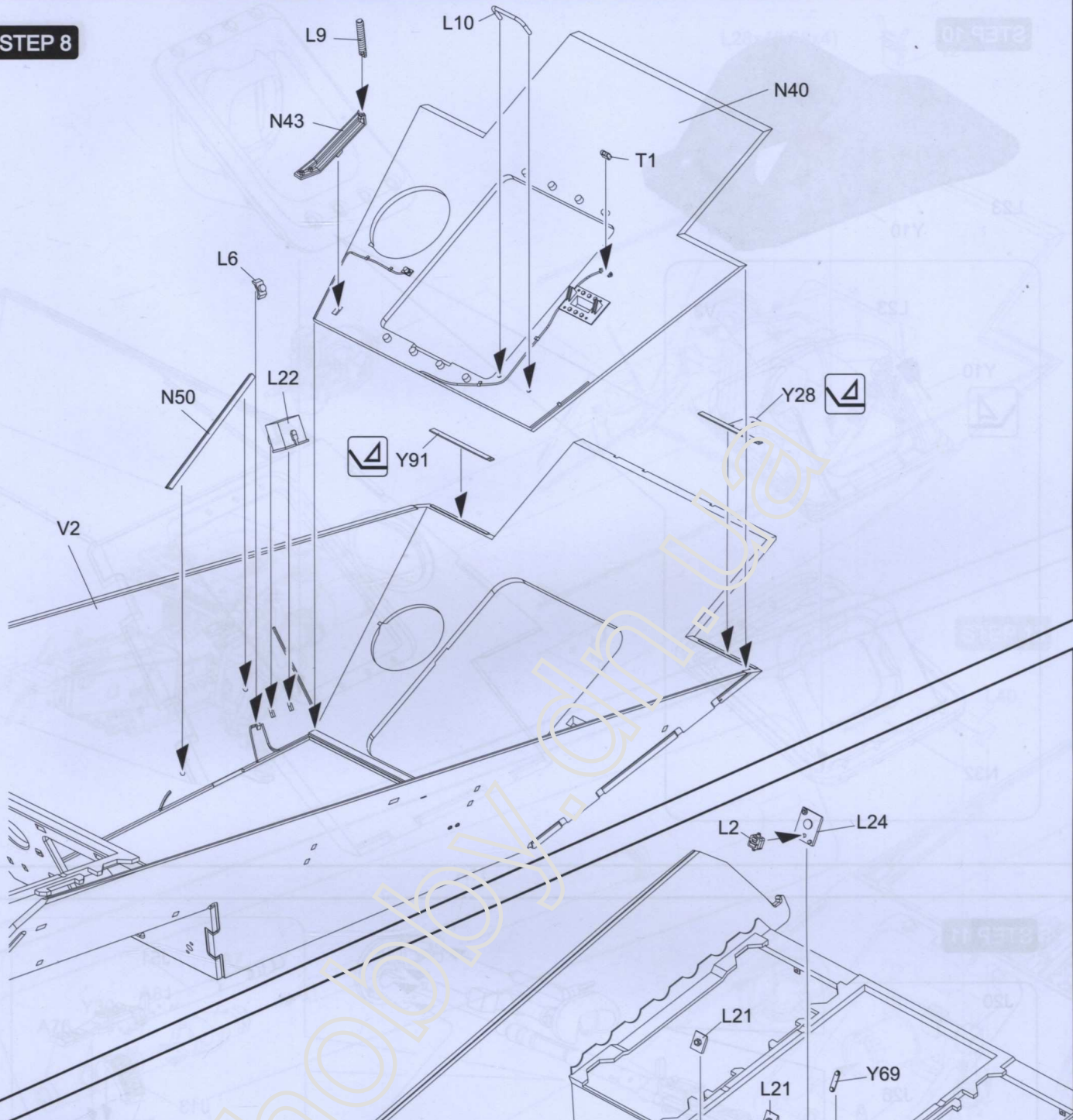
STEP 6



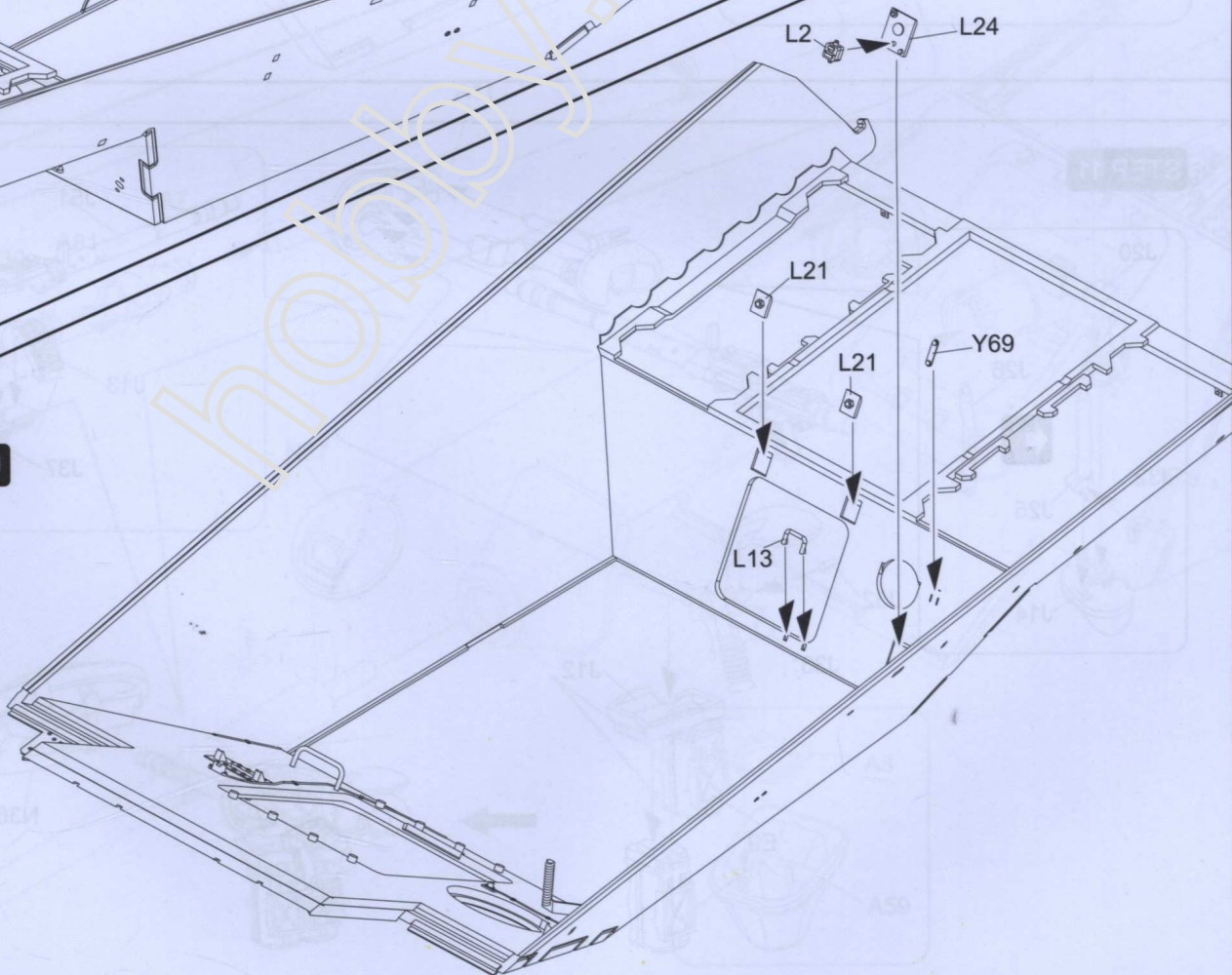
STEP 7



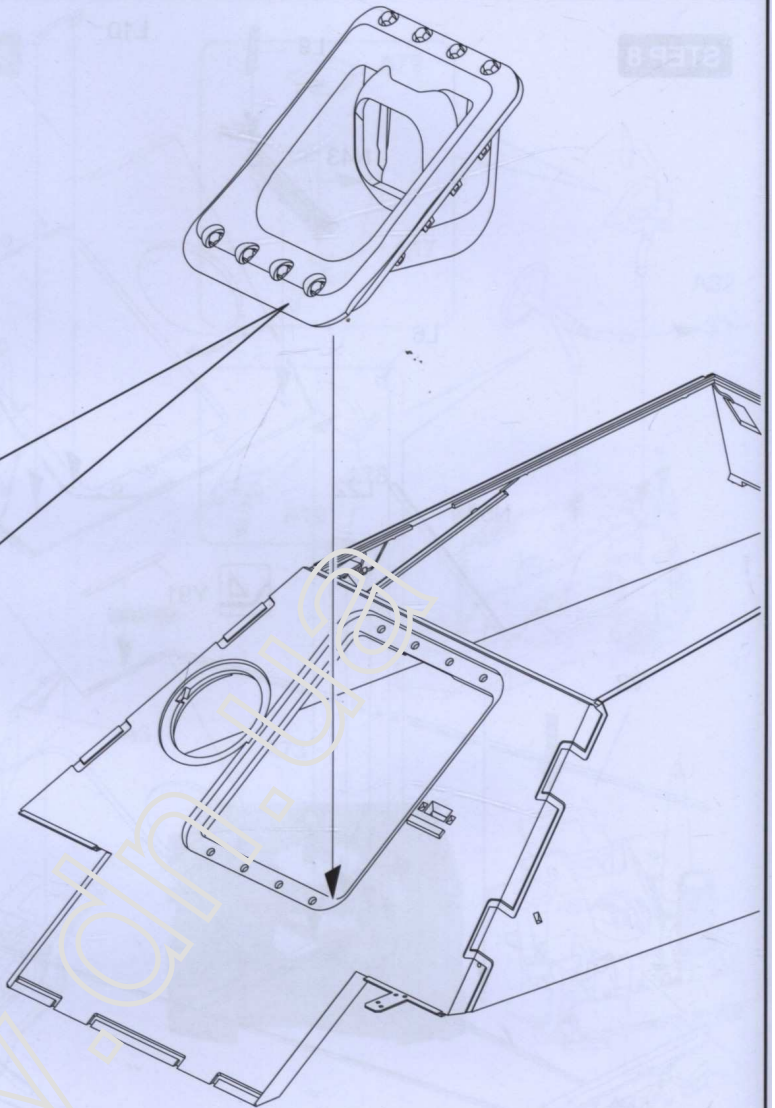
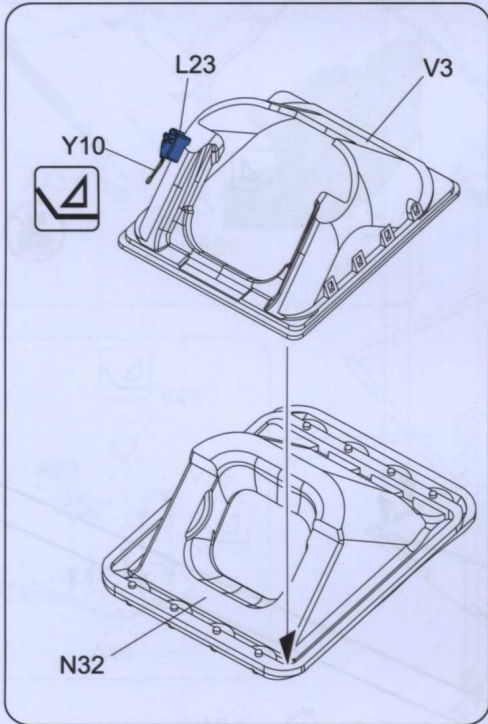
STEP 8



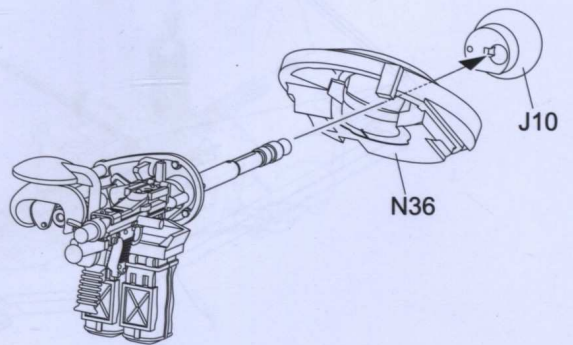
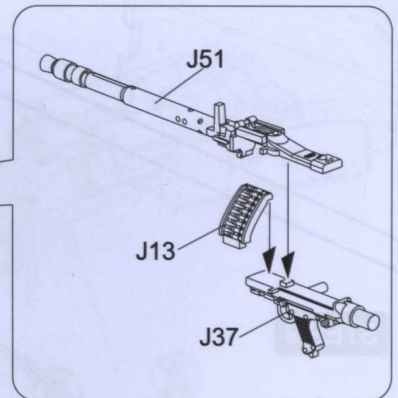
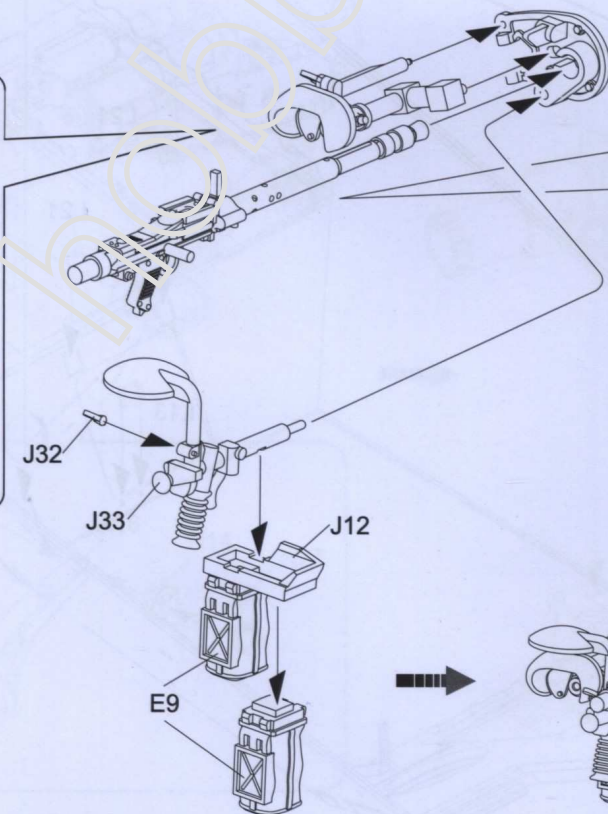
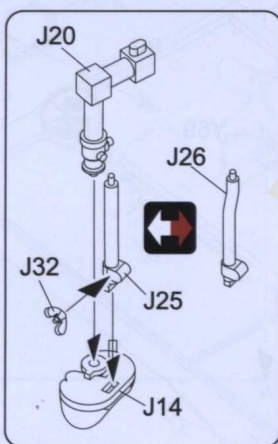
STEP 9



STEP 10



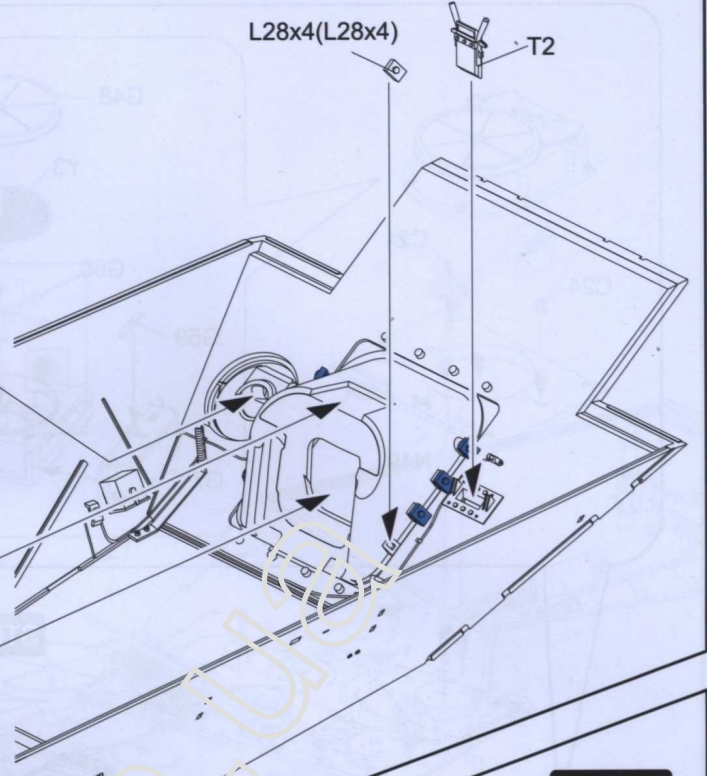
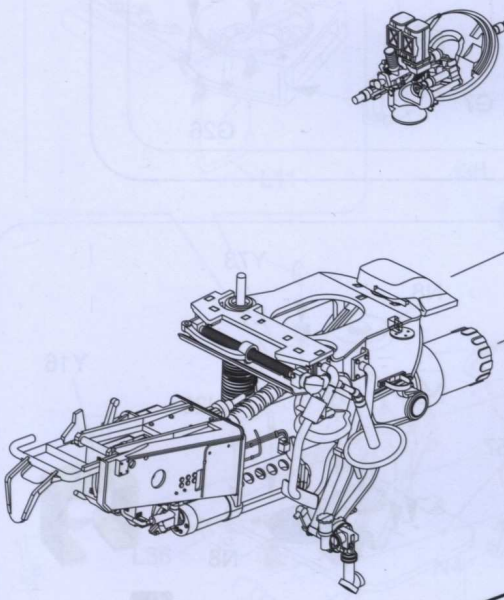
STEP 11



STEP 12

L28x4(L28x4)

T2



STEP 13

L40

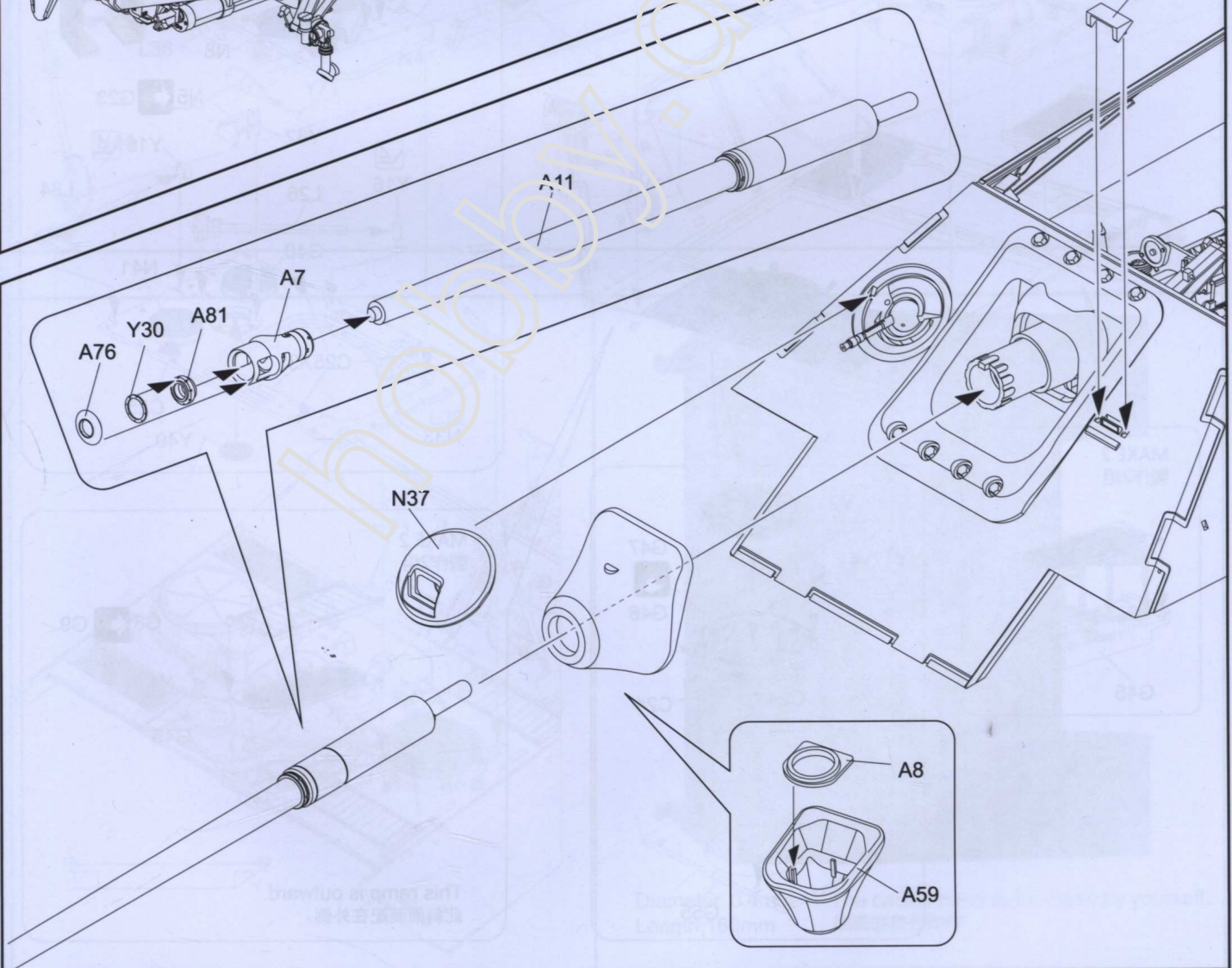
A11

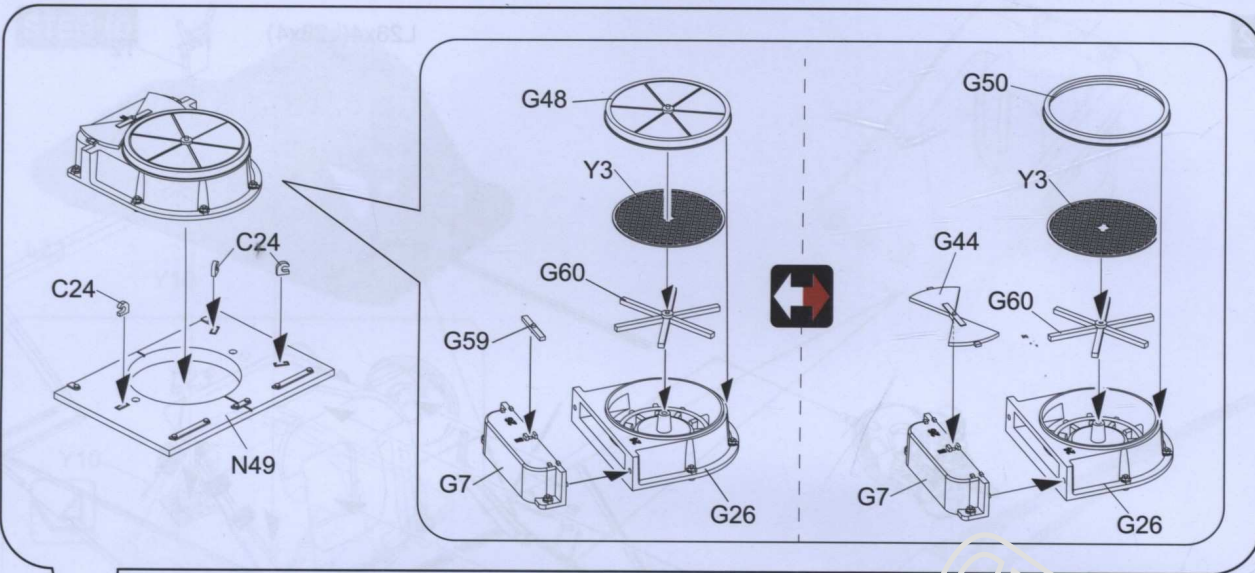
A76
Y30
A81
A7

N37

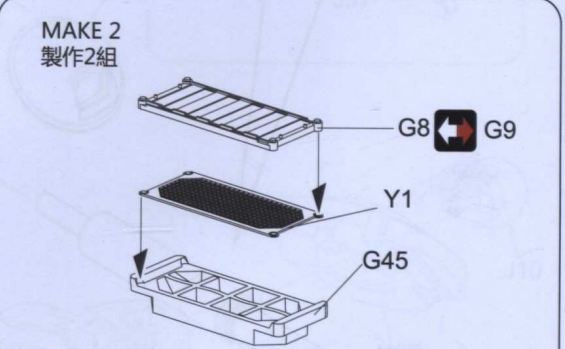
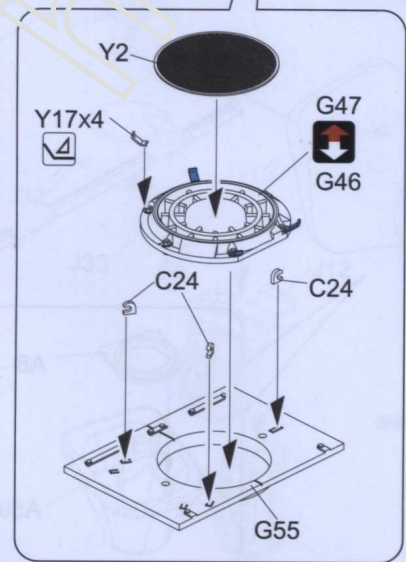
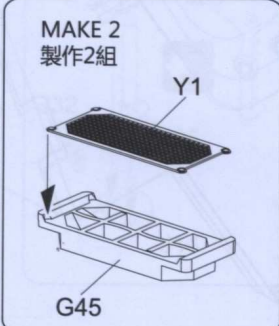
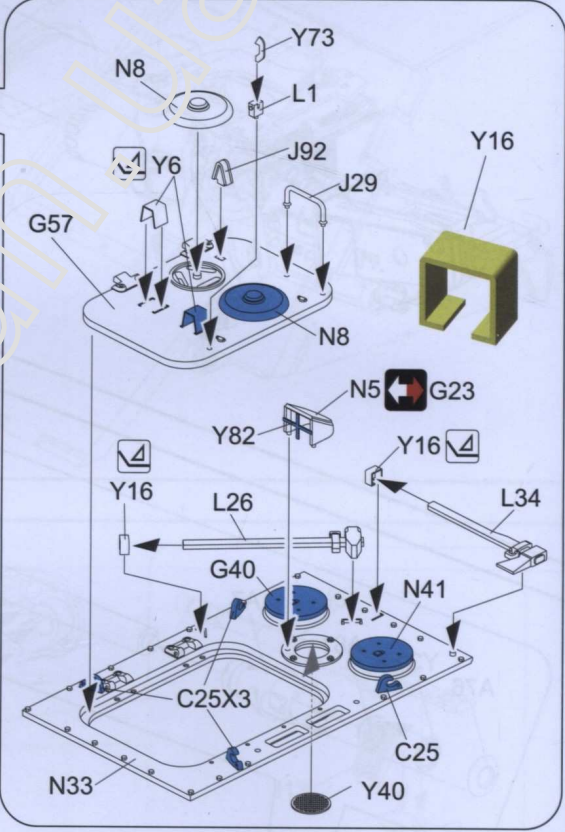
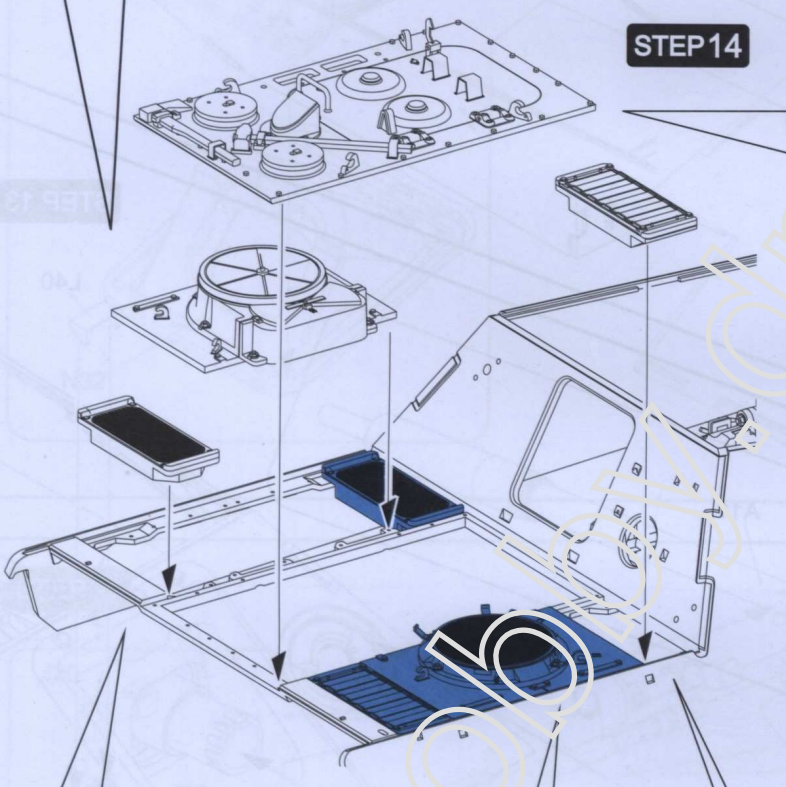
A8

A59





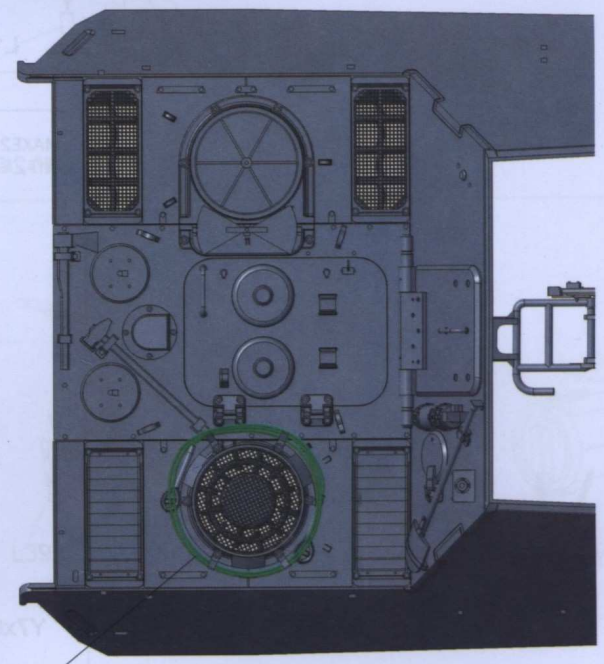
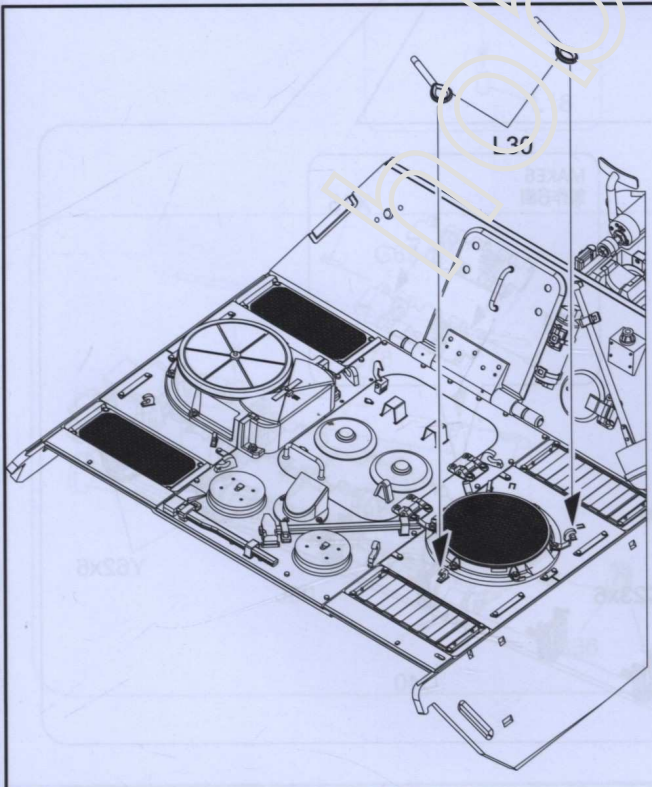
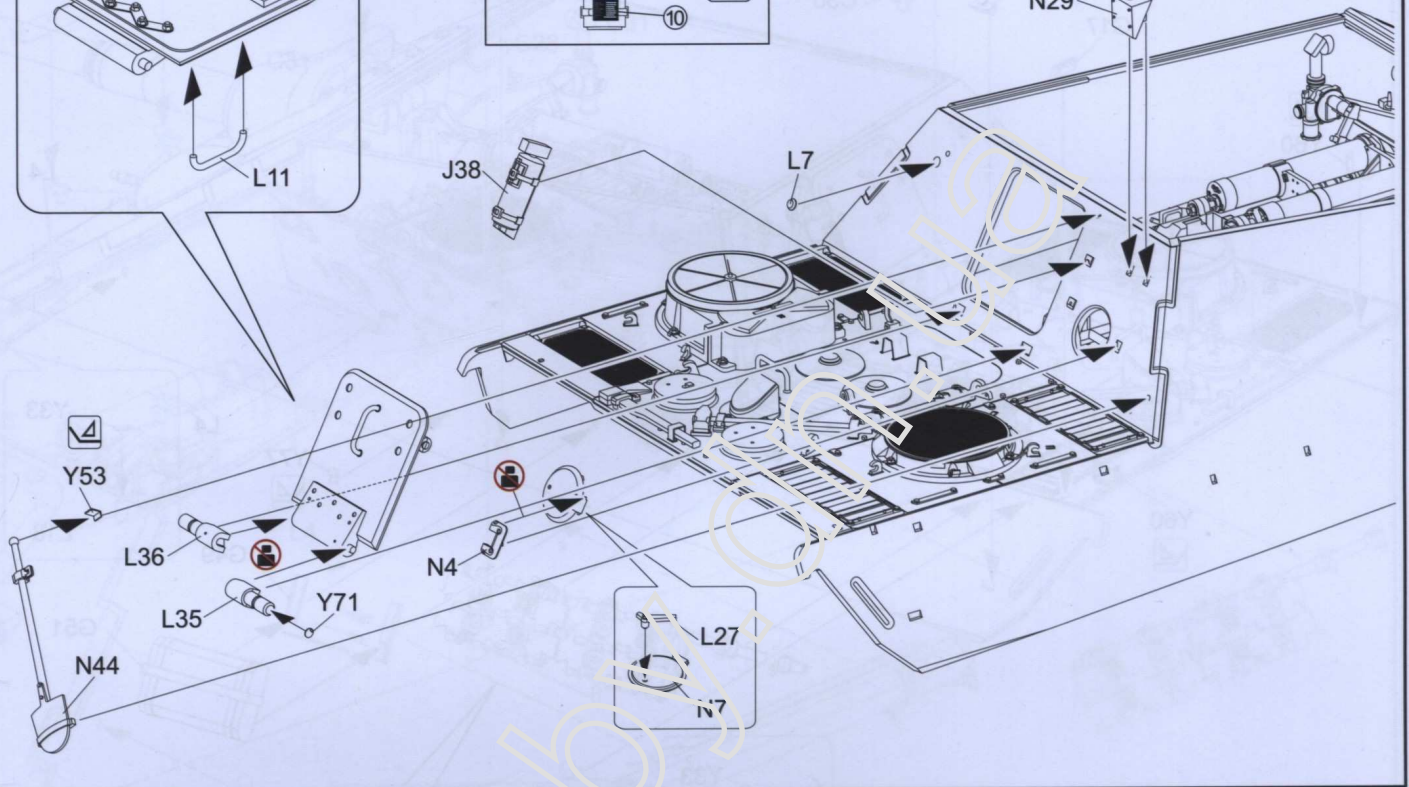
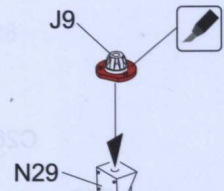
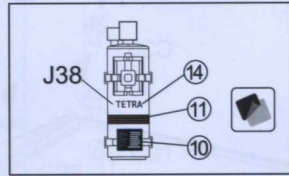
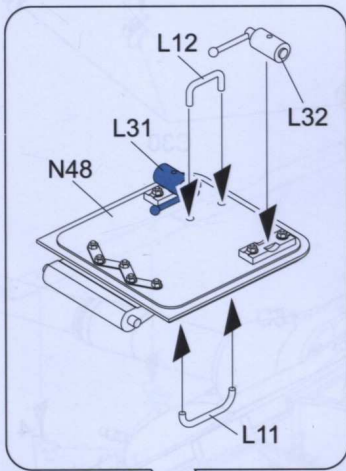
STEP 14



This ramp is outward.
此斜面装配在外侧。

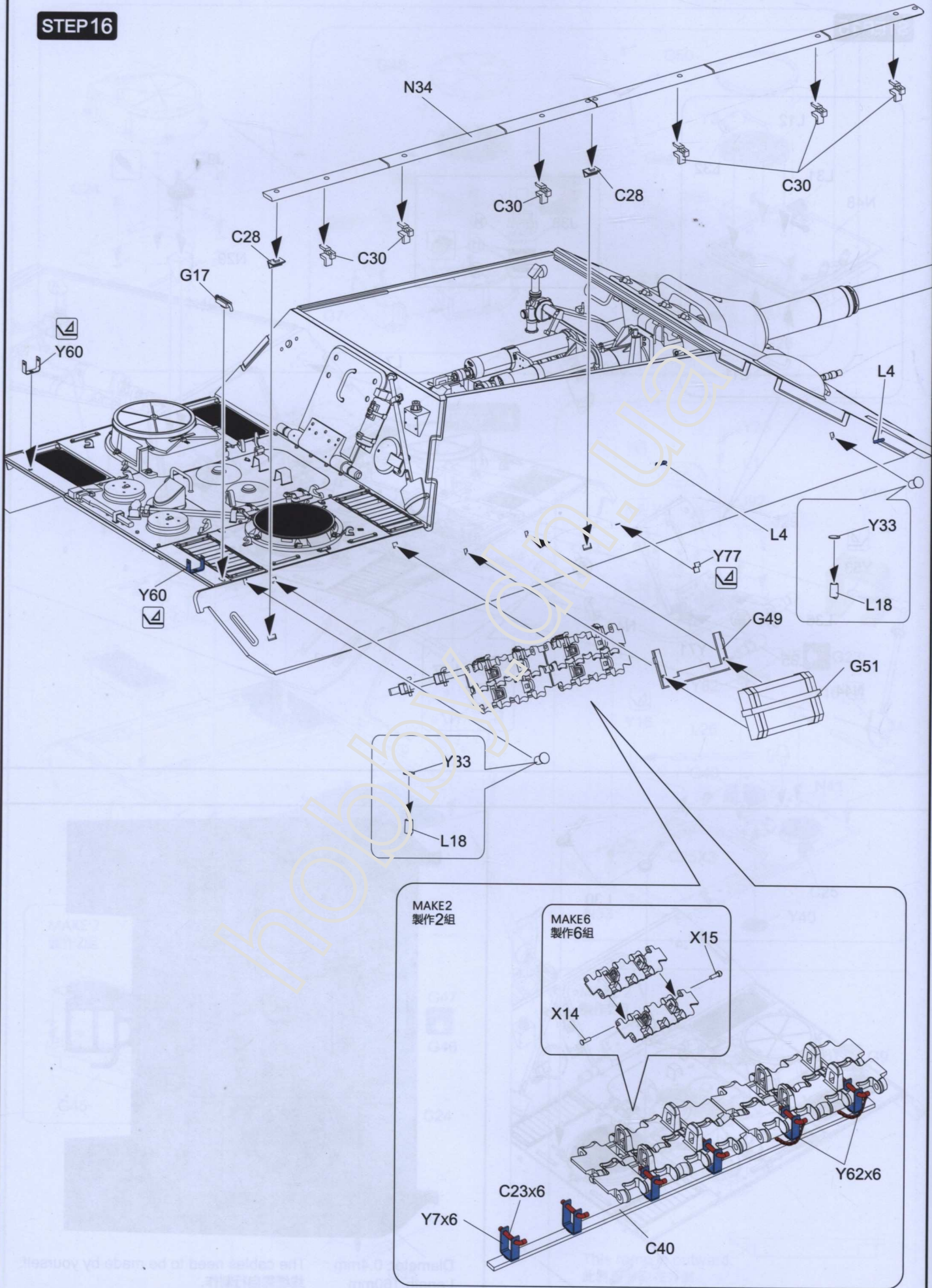
STEP 15

STEP 15



Diameter: 0.4mm
Length: 160mm
The cables need to be made by yourself.
线缆需自行制作。

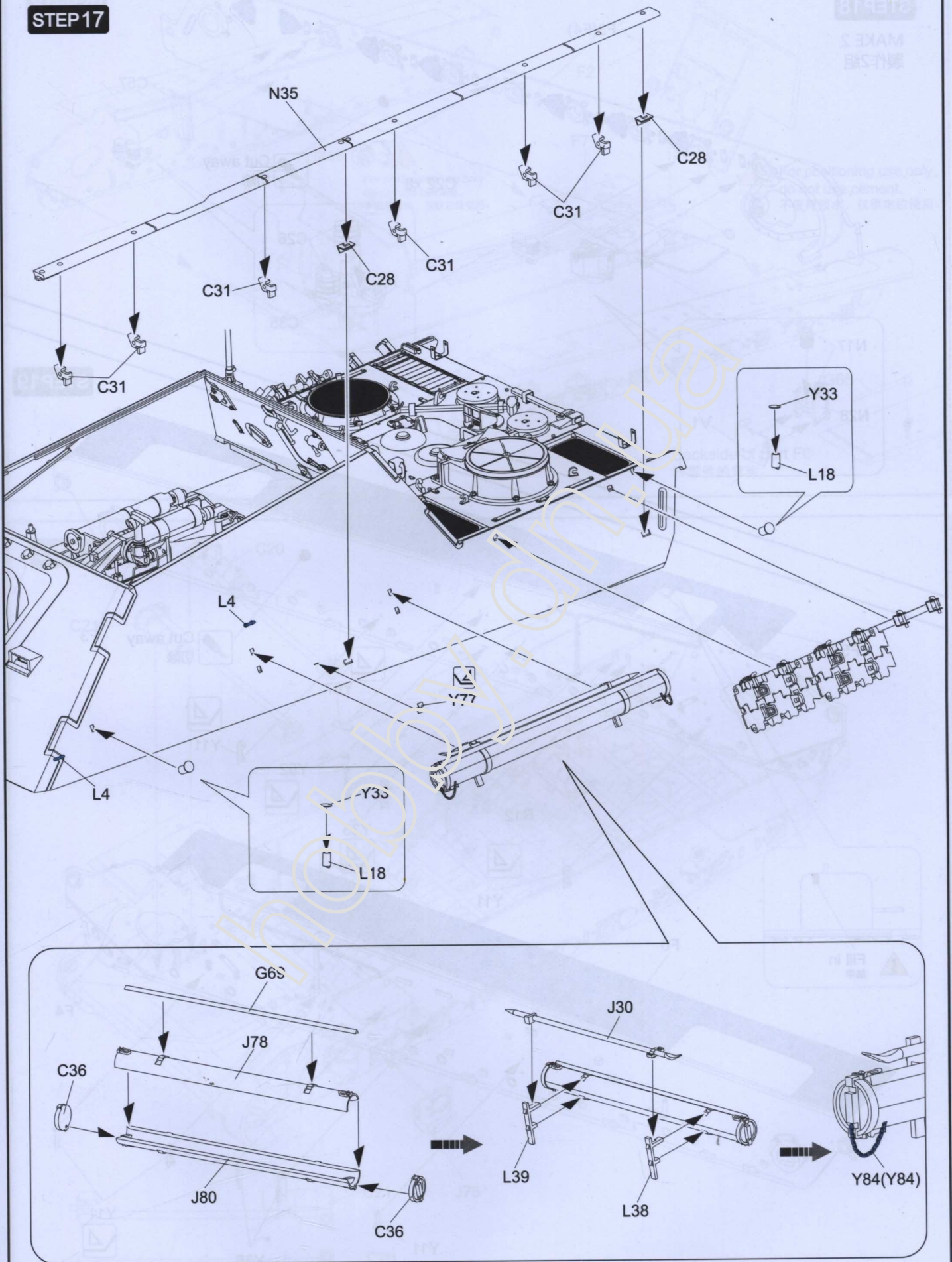
STEP 16



STEP 17

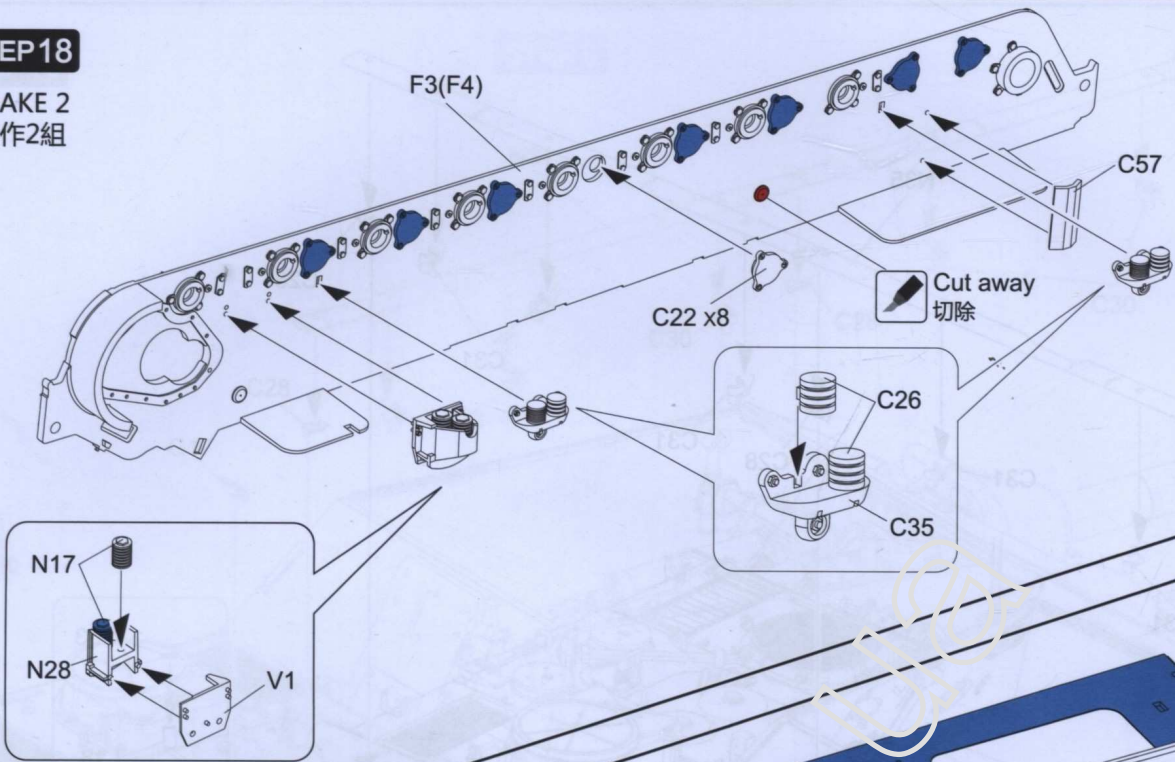
STEP 18

MAKE SURE

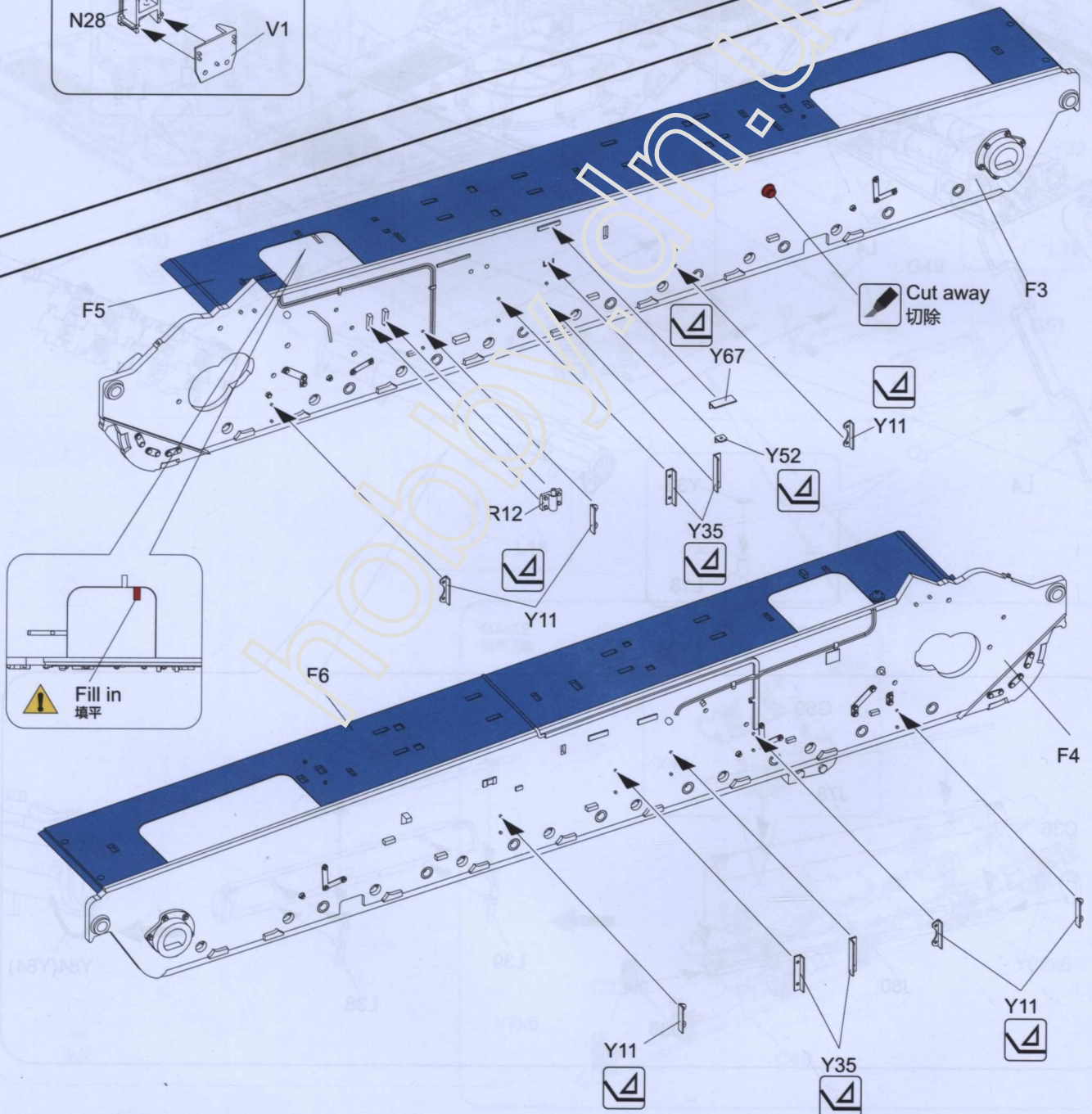


STEP 18

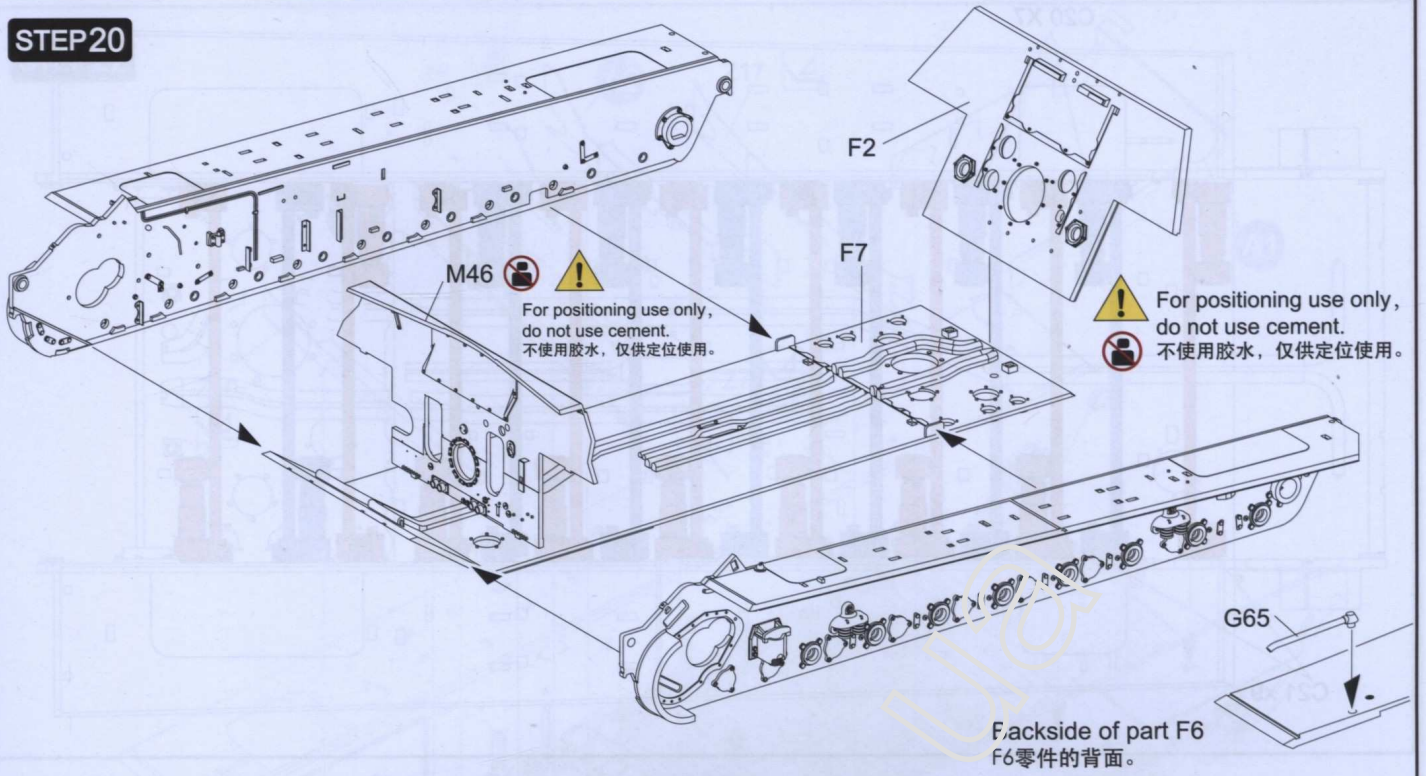
MAKE 2
製作2組



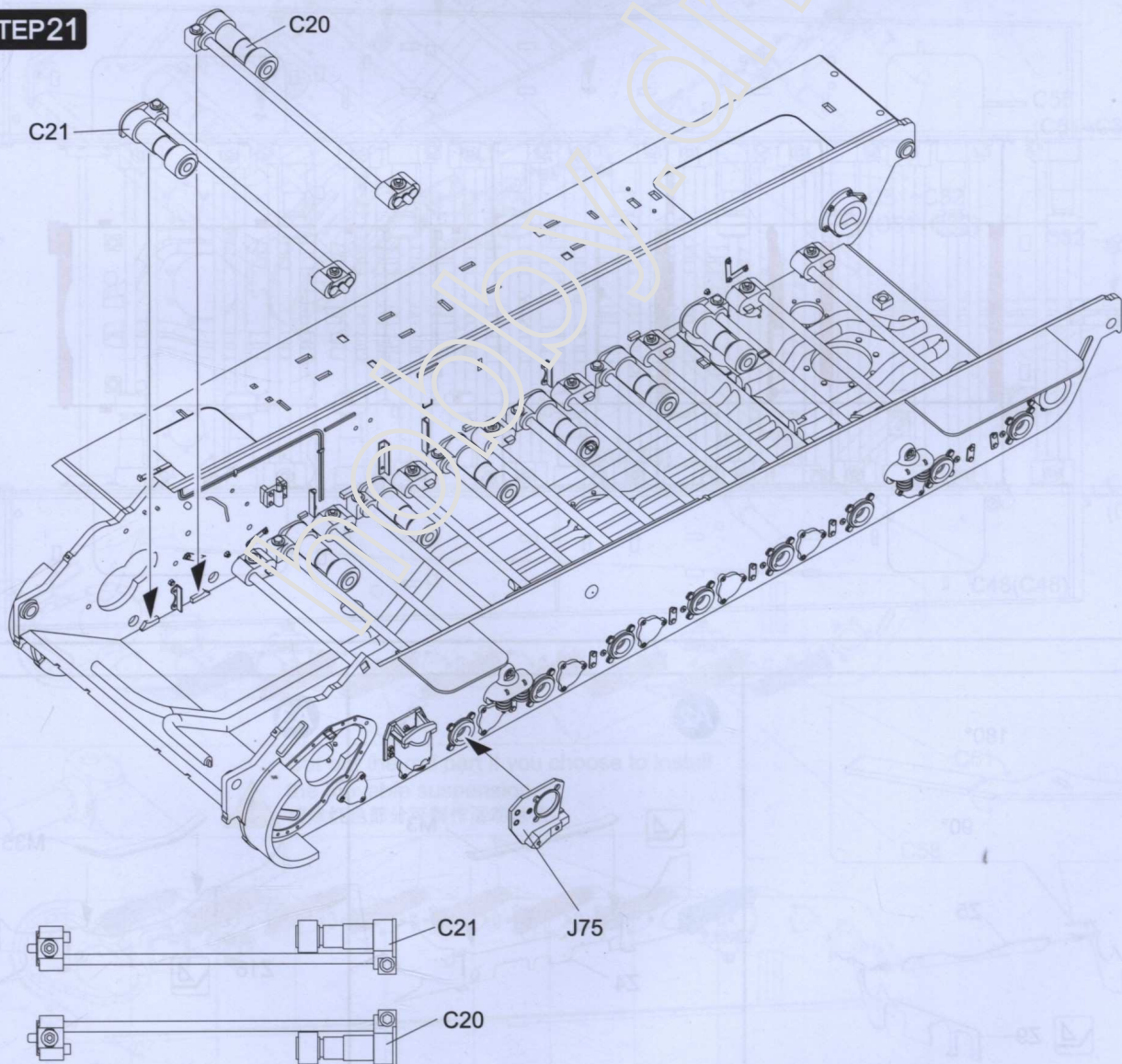
STEP 19

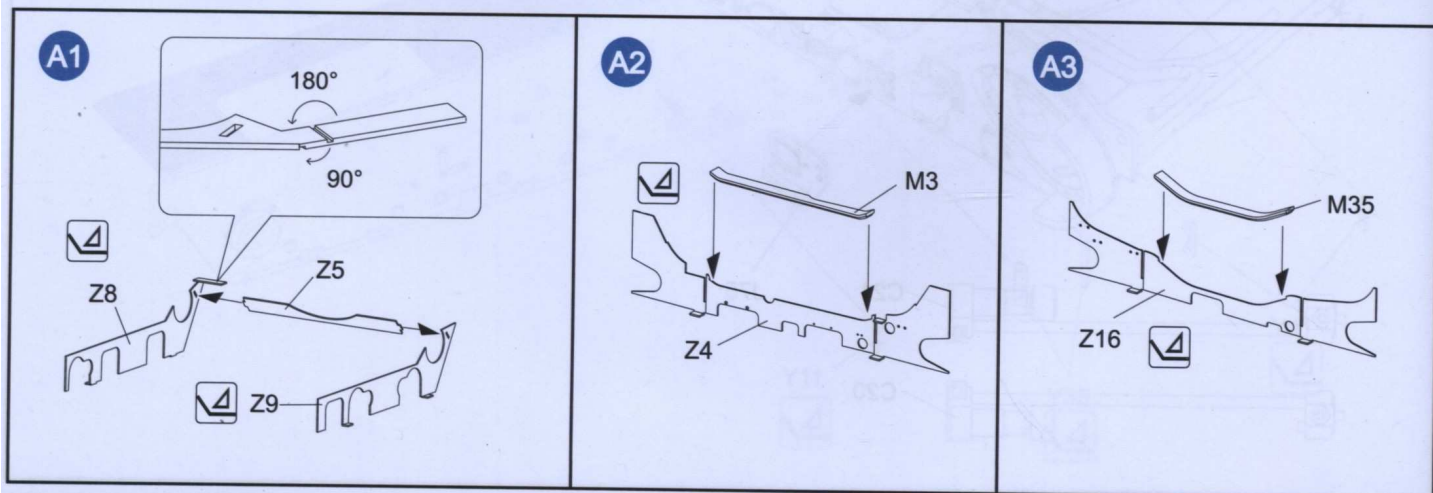
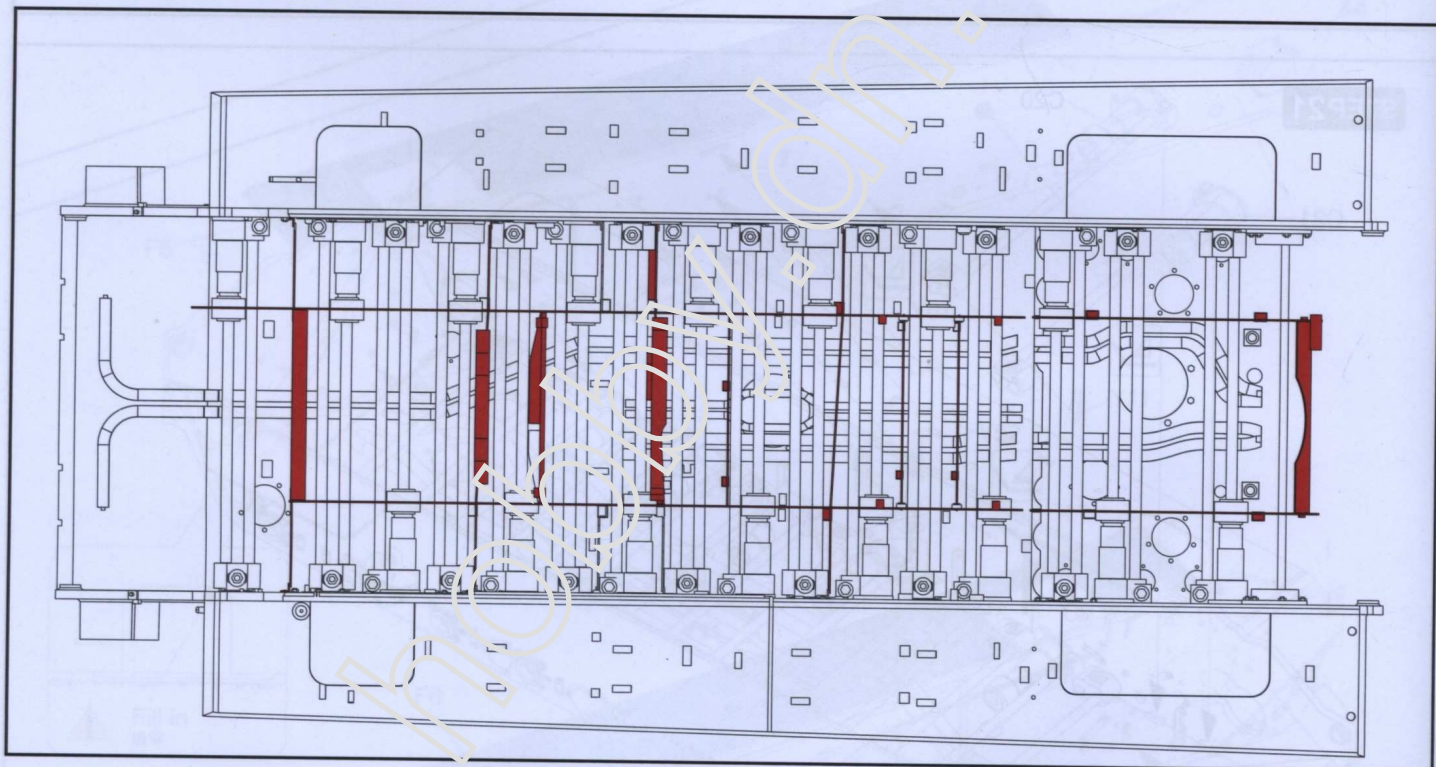
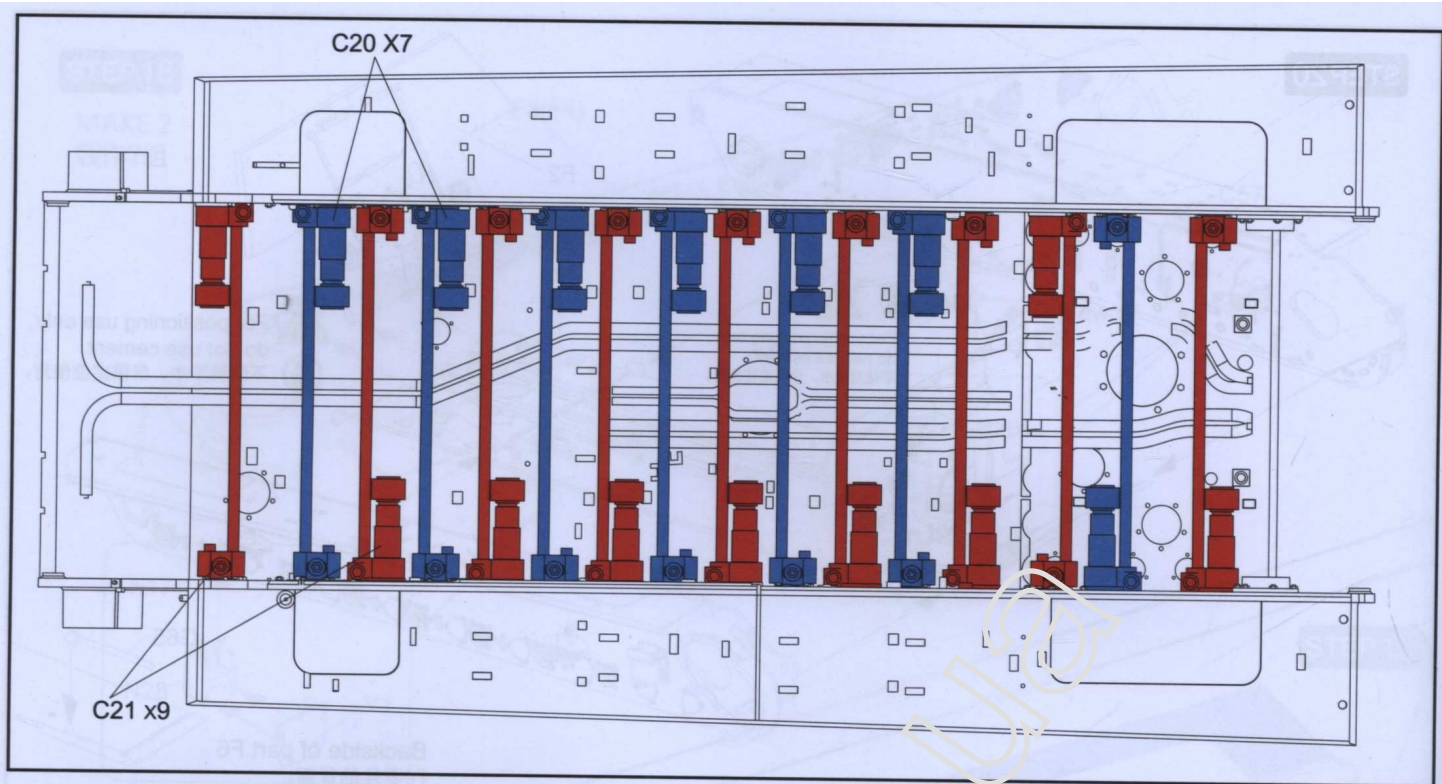


STEP 20



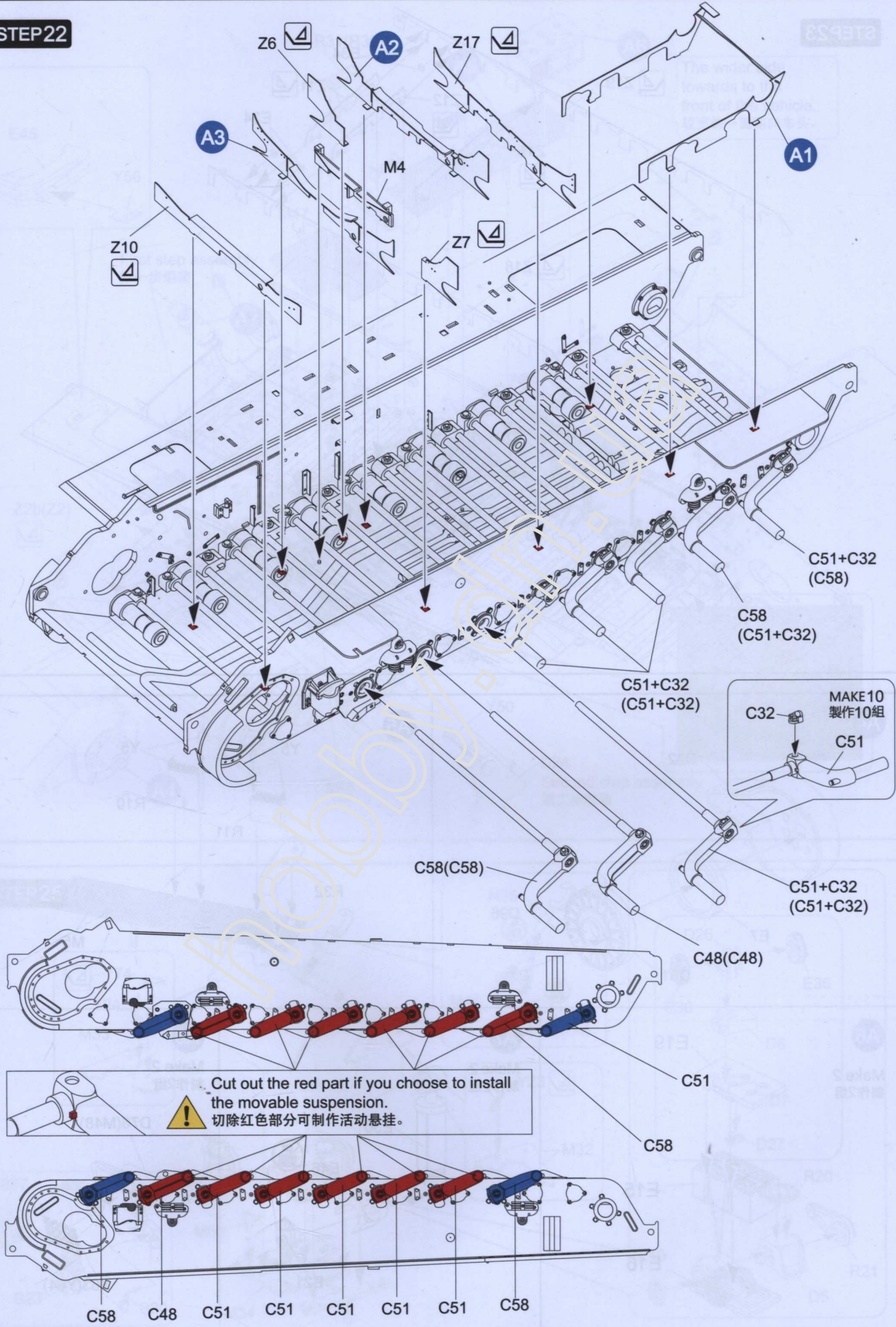
STEP 21





STEP 22

STEP 23



MAKE 10
製作10組

C32

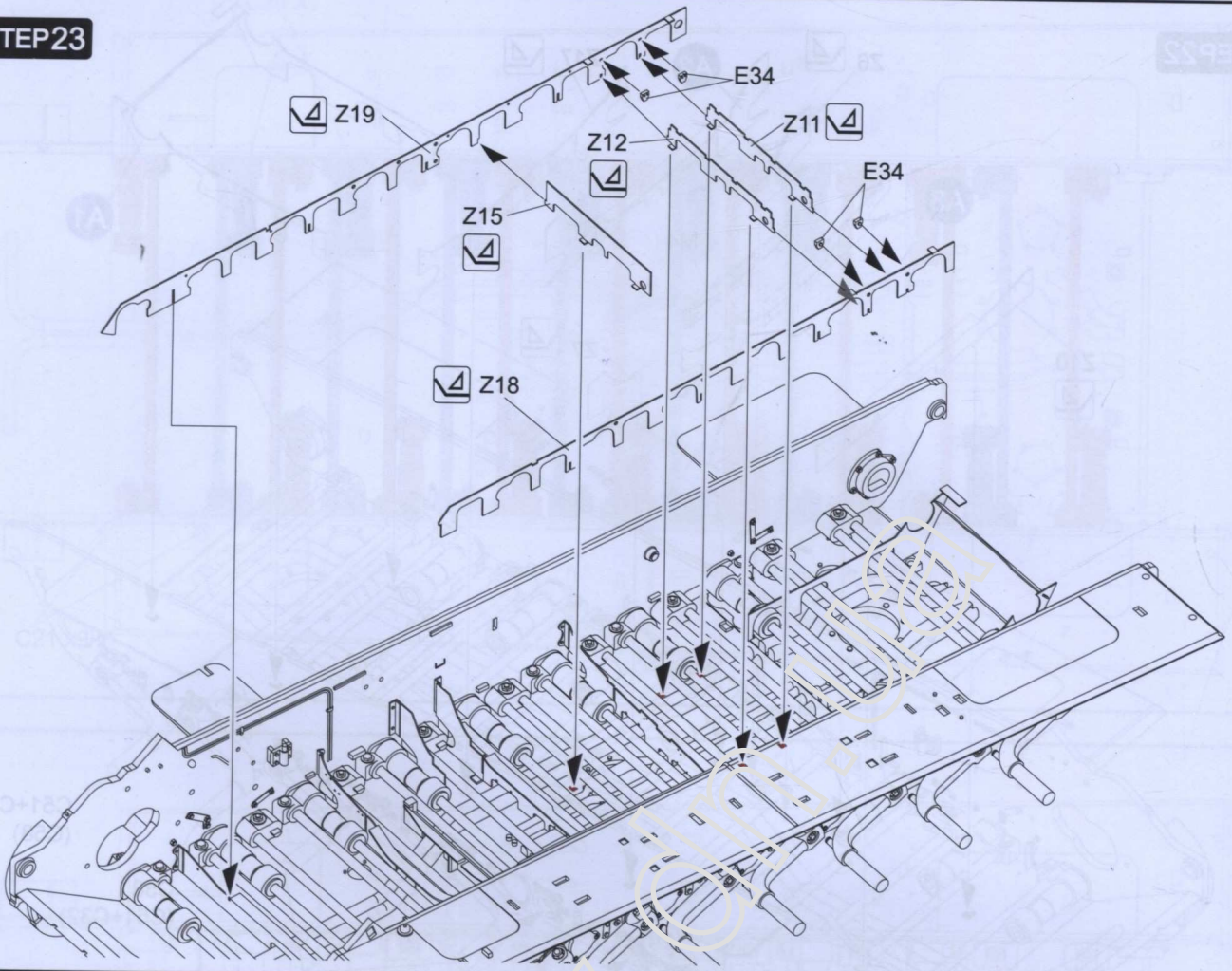
C51

! Cut out the red part if you choose to install the movable suspension.
切除红色部分可制作活动悬挂。

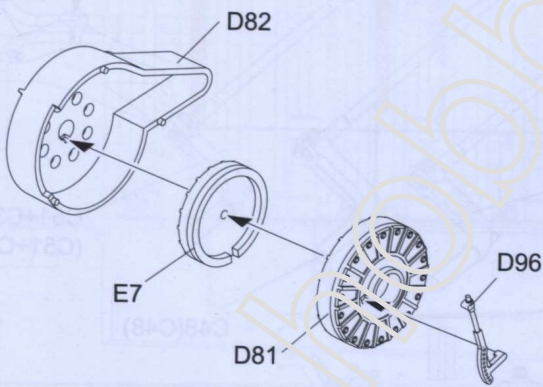
C58 C48 C51 C51 C51 C51 C51 C58

STEP 23

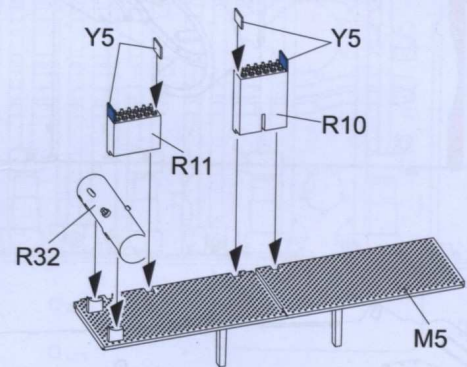
STEP 23



A4

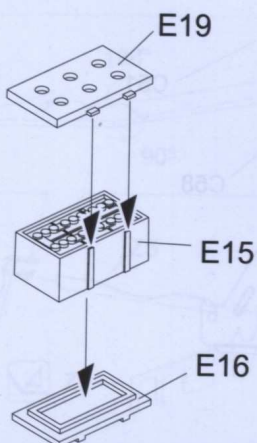


A5



A6

Make 2
制作2组



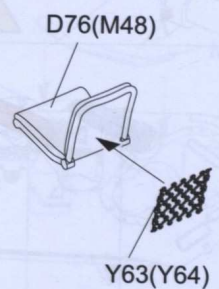
A7

Make 2
制作2组

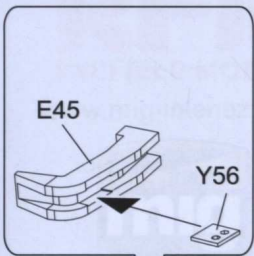


A8

Make 2
制作2组



STEP 24



First step assembly
第一步组装

R31(R30)

A5

A6

The wider side towards to the front of the vehicle.
较宽的一面朝向车头。

M47

A7

Z2b(Z2)



Y50

D24

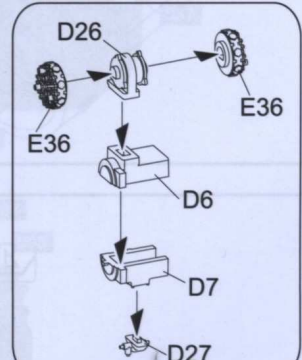
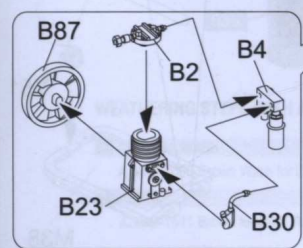
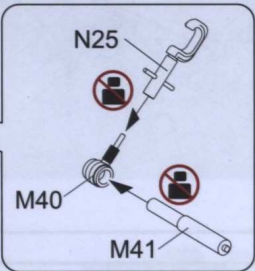
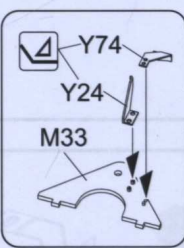
Second step assembly
第二步组装

A4

E45

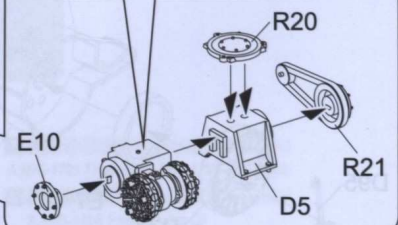


STEP 25

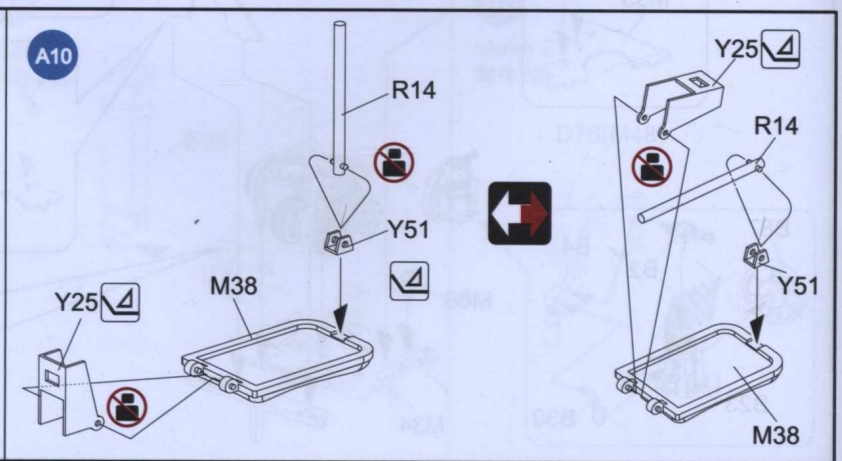
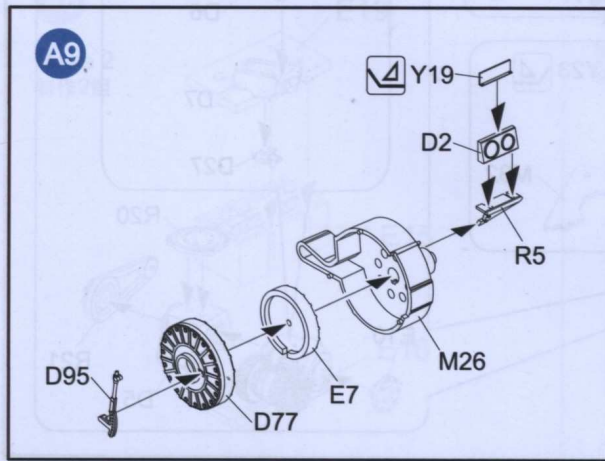
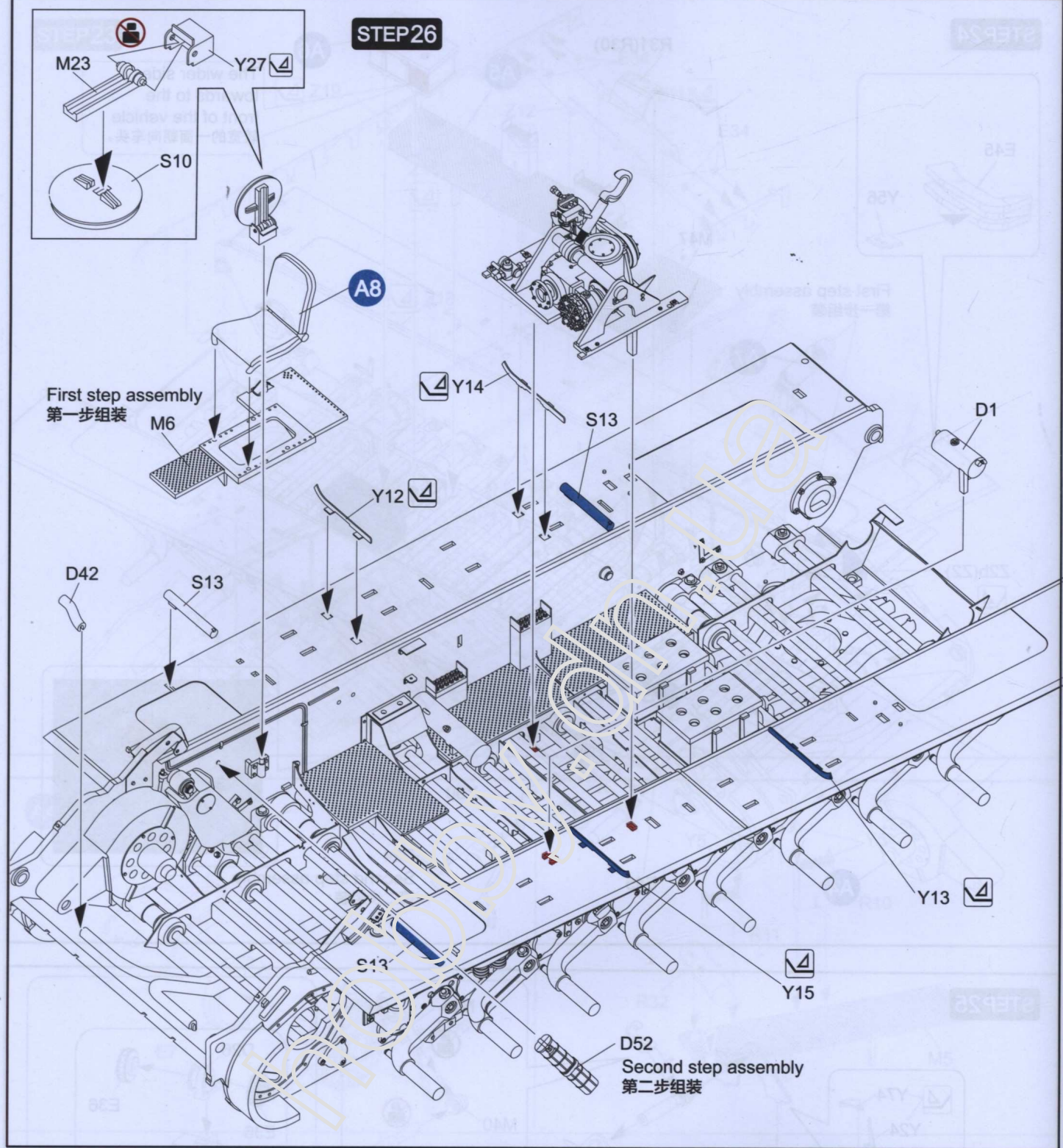


M68

M34



STEP 26





JAGDPANTHER G2 with full interior & workable track links

Painting and Marking Guide

	A.MIG 003 Resedagrün		A.MIG 012 Dunkelgelb AUS 44 III		A.MIG 014 Rotbraun
	A.MIG 033 Rubber & Tires		A.MIG 035 Dark Tracks		A.MIG 036 Old Wood
	A.MIG 037 New Wood		A.MIG 045 Gun Metal		A.MIG 096 Crystal Periscope Green



WEATHERING STEPS WITH AMMO PRODUCTS

- | | | | |
|--|--|--|---|
| 1 GENERAL WASH
A.MIG-1000 Brown Wash for Dark Yellow | 3 STREAKING
A.MIG-1203 Streaking Grime | 5 RUST
A.MIG-1204 Streaking Rust Effects | 7 MUD
A.MIG-1701 Thick Soil A.MIG-1751 Dry Steppe |
| 2 FILTER
A.MIG-1511 Brown for Dark Yellow | 4 TRACK WASH
A.MIG-1002 Tracks Wash | 6 DUST
A.MIG-3012 Sand | 8 GREASE & OIL
A.MIG-1408 Fresh Engine Oil |

Color info and profiles
by



A.MIG-0017
RAL 9001 CREMEWEIS.

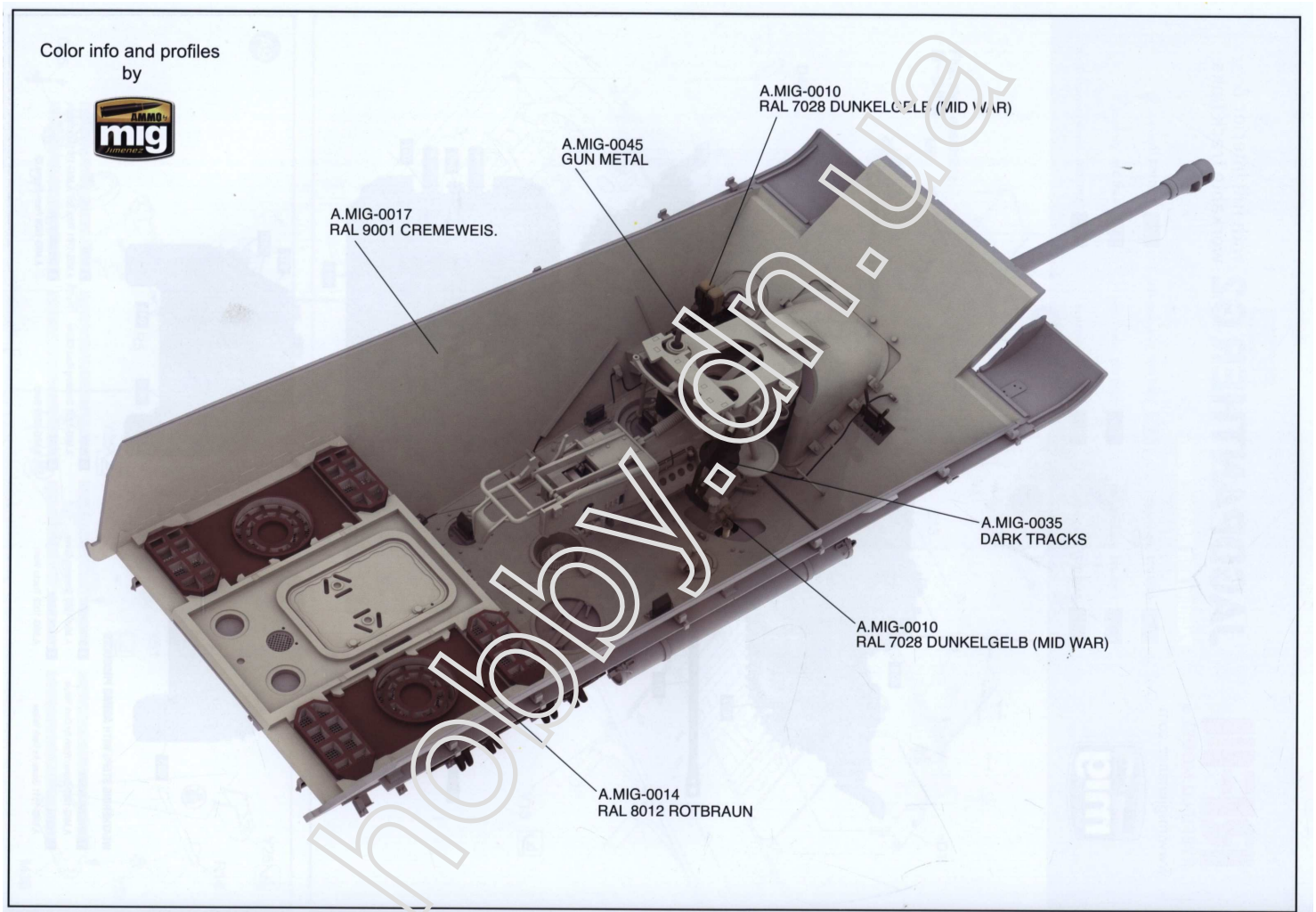
A.MIG-0045
GUN METAL

A.MIG-0010
RAL 7028 DUNKELGELB (MID WAR)

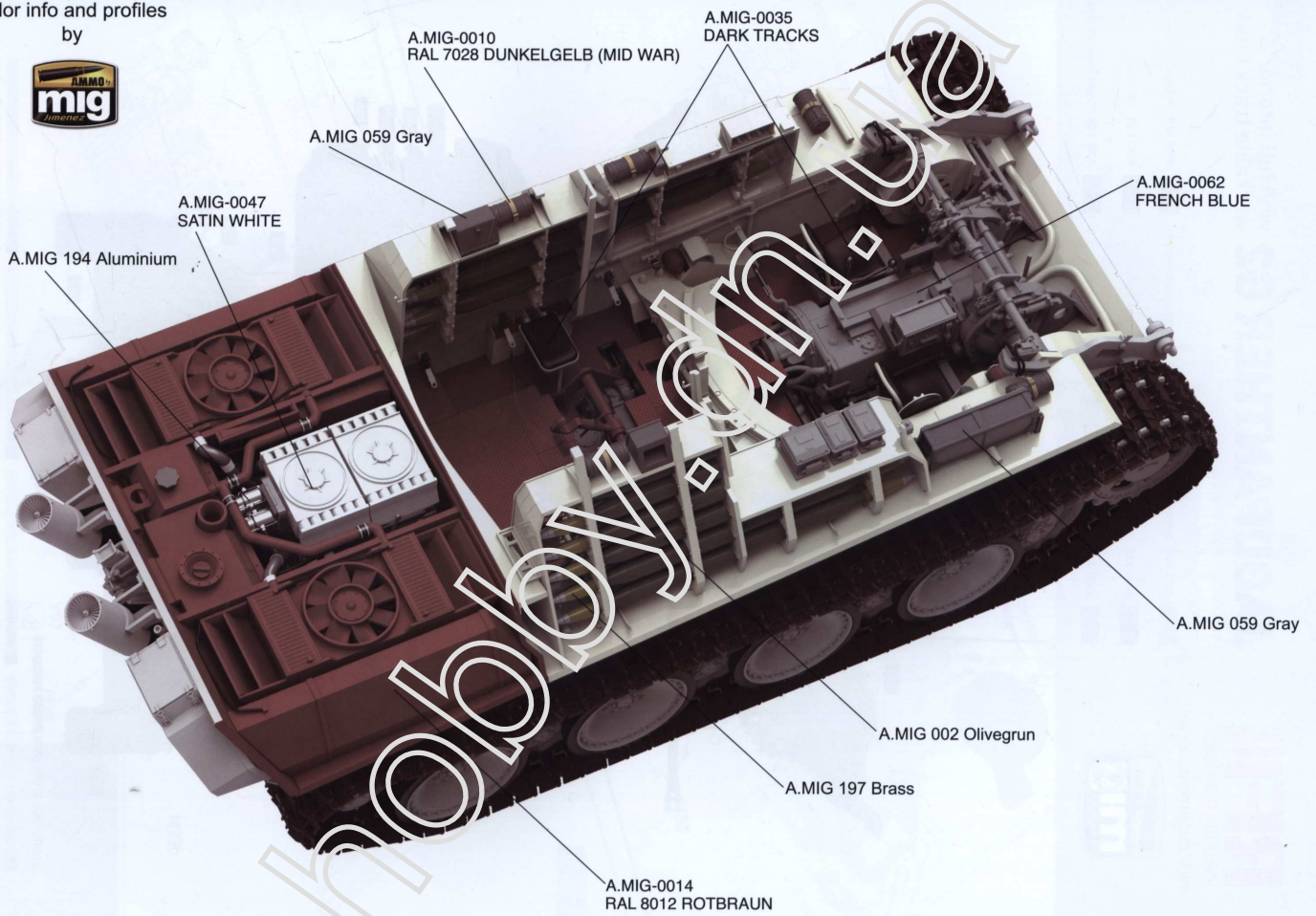
A.MIG-0035
DARK TRACKS

A.MIG-0010
RAL 7028 DUNKELGELB (MID WAR)

A.MIG-0014
RAL 8012 ROTBRAUN



Color info and profiles
by



A.MIG-0010
RAL 7028 DUNKELGELB (MID WAR)

A.MIG-0035
DARK TRACKS

A.MIG 059 Gray

A.MIG-0062
FRENCH BLUE

A.MIG-0047
SATIN WHITE

A.MIG 194 Aluminium

A.MIG 059 Gray

A.MIG 002 Olivegrun

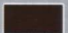
A.MIG 197 Brass

A.MIG-0014
RAL 8012 ROTBRAUN



JAGDPANTHER G2 with full interior & workable track links

Painting and Marking Guide

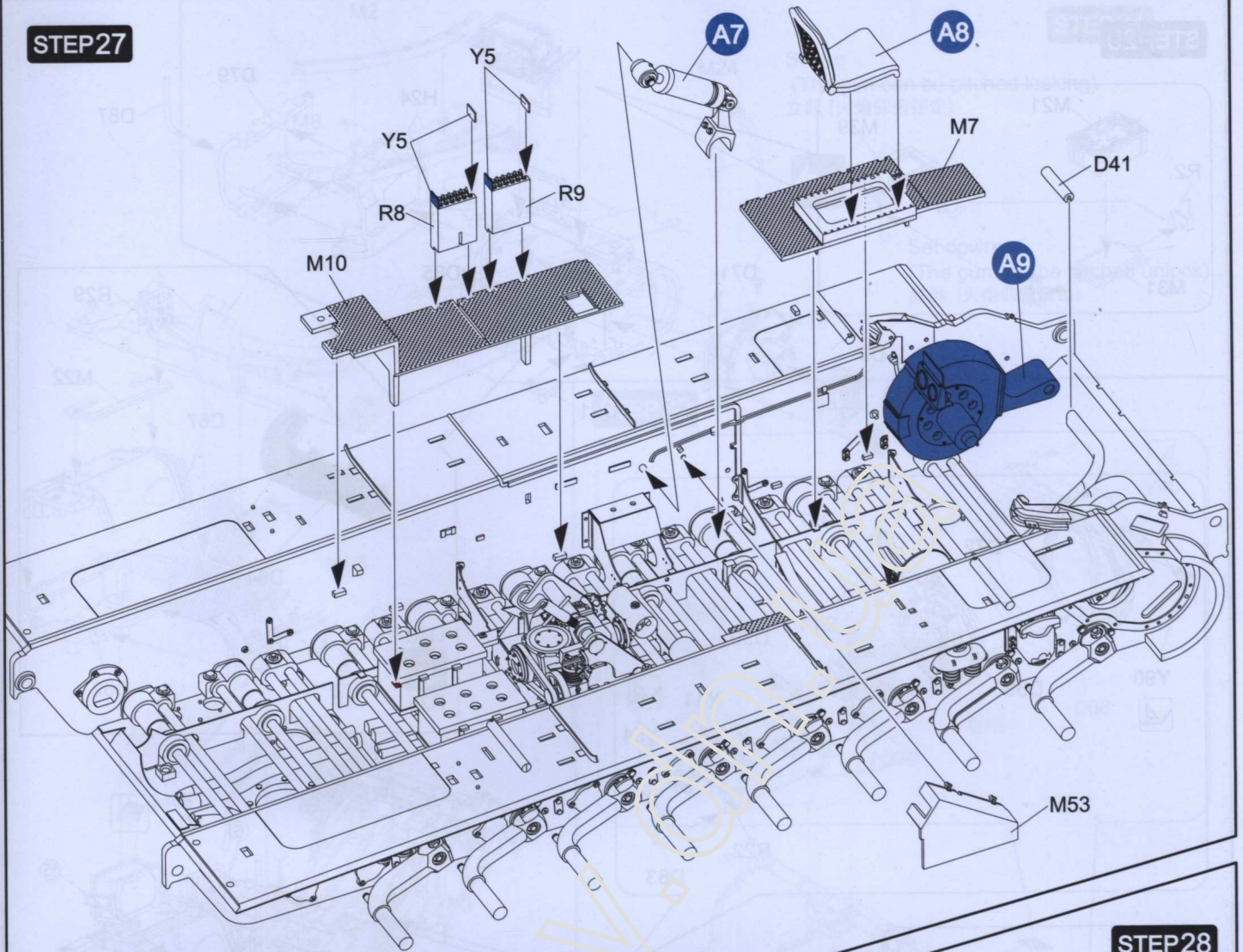
 A.MIG 004 B Resedagrün	 A.MIG 011 Dunkelgelb AUS'44 I	 A.MIG 014 Rotbraun
 A.MIG 033 Rubber & Tires	 A.MIG 035 Dark Tracks	 A.MIG 036 Old Wood
 A.MIG 038 Light Wood	 A.MIG 045 Gun Metal	 A.MIG 096 Crystal Periscope Green



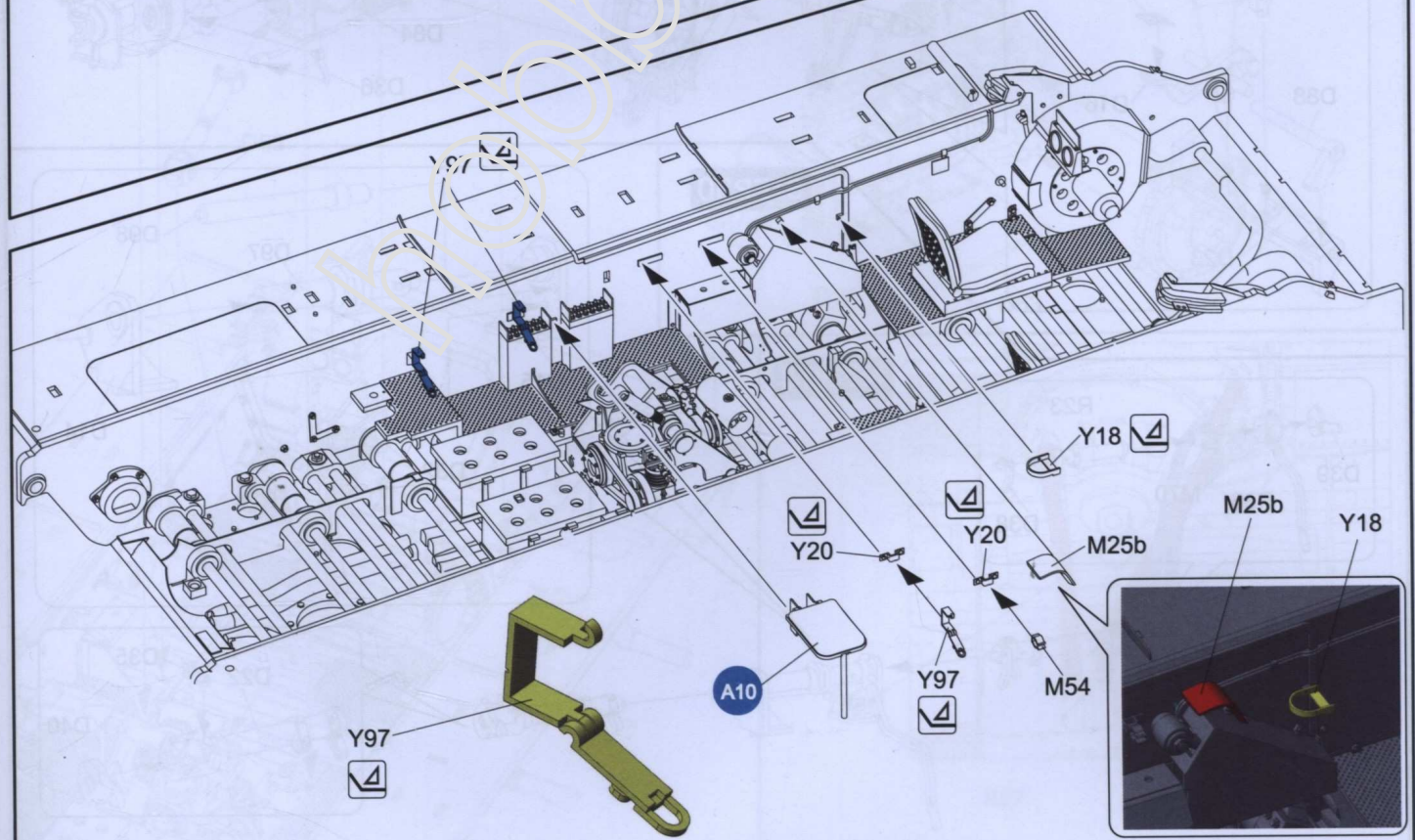
WEATHERING STEPS WITH AMMO PRODUCTS

- | | | | |
|---|---|---|---|
| 1 GENERAL WASH
A.MIG-1005, Dark Brown Wash for Green vehicles | 3 STREAKING
A.MIG-1206 Dark Streaking Grime | 5 RUST
A.MIG-3510 Rust | 7 MUD
A.MIG-1704 Heavy Earth A.MIG-1753 Turned Dirt |
| 2 FILTER
A.MIG-1510 Tan for 3 Tone Camo | 4 TRACK WASH
A.MIG-1002 Tracks Wash | 6 DUST
A.MIG-3011 Airfield Dust | 8 GREASE & OIL
A.MIG-1408 Fresh Engine Oil |

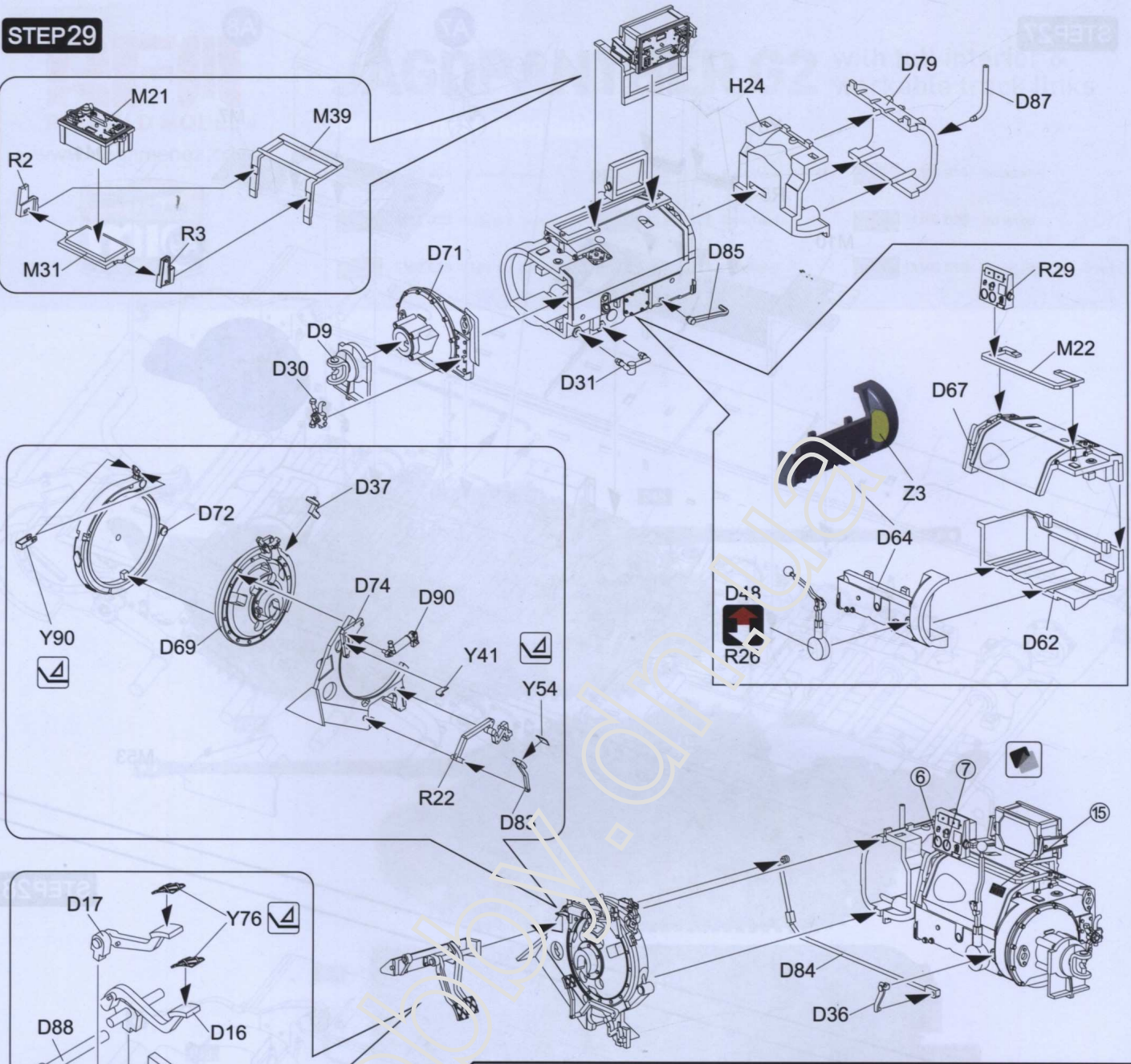
STEP27



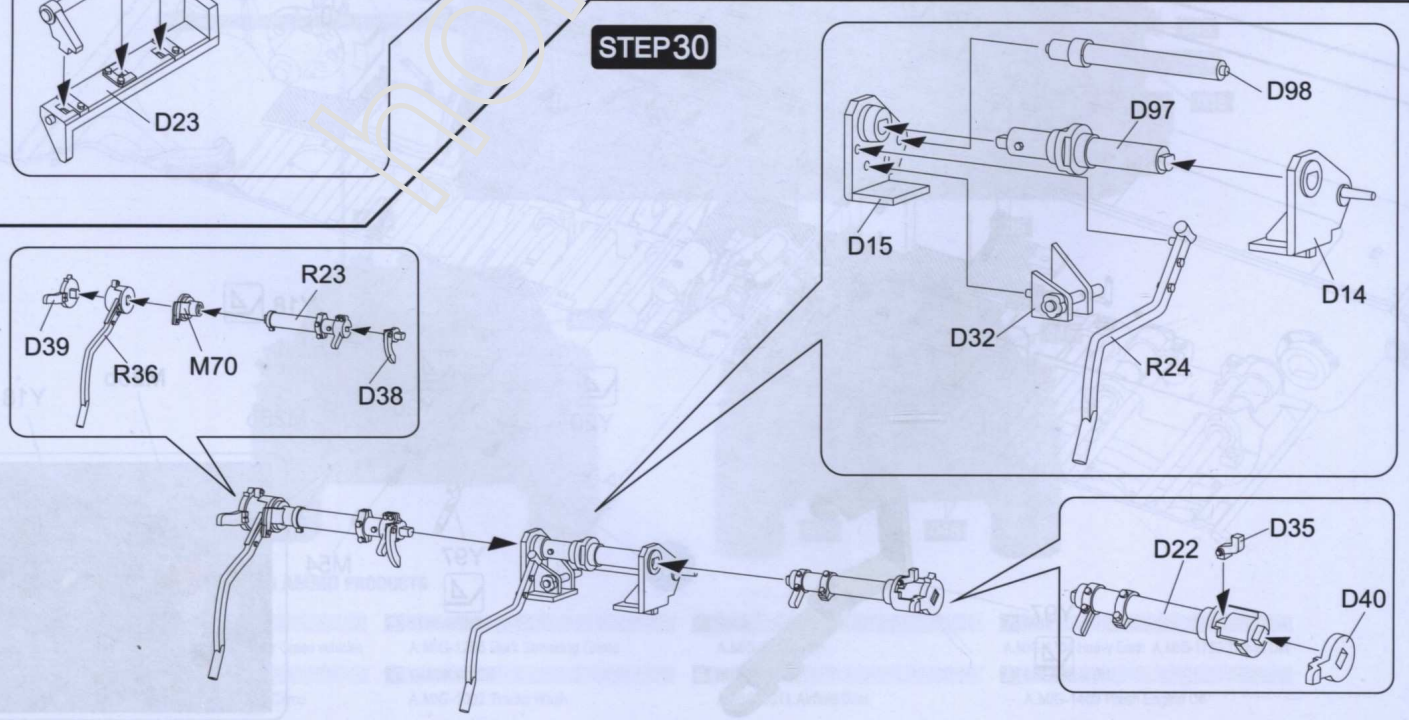
STEP28



STEP 29

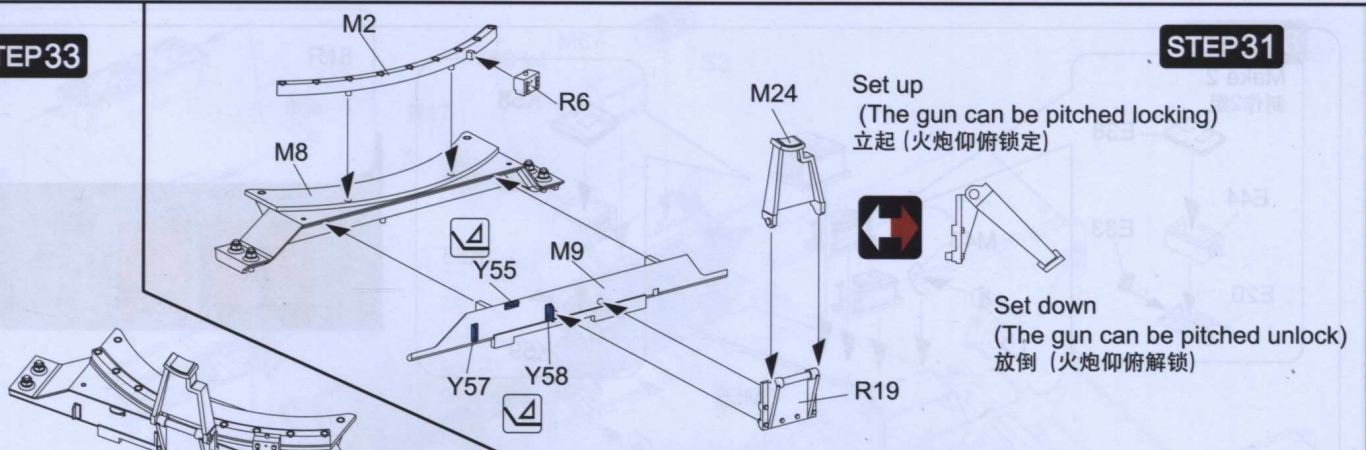


STEP 30

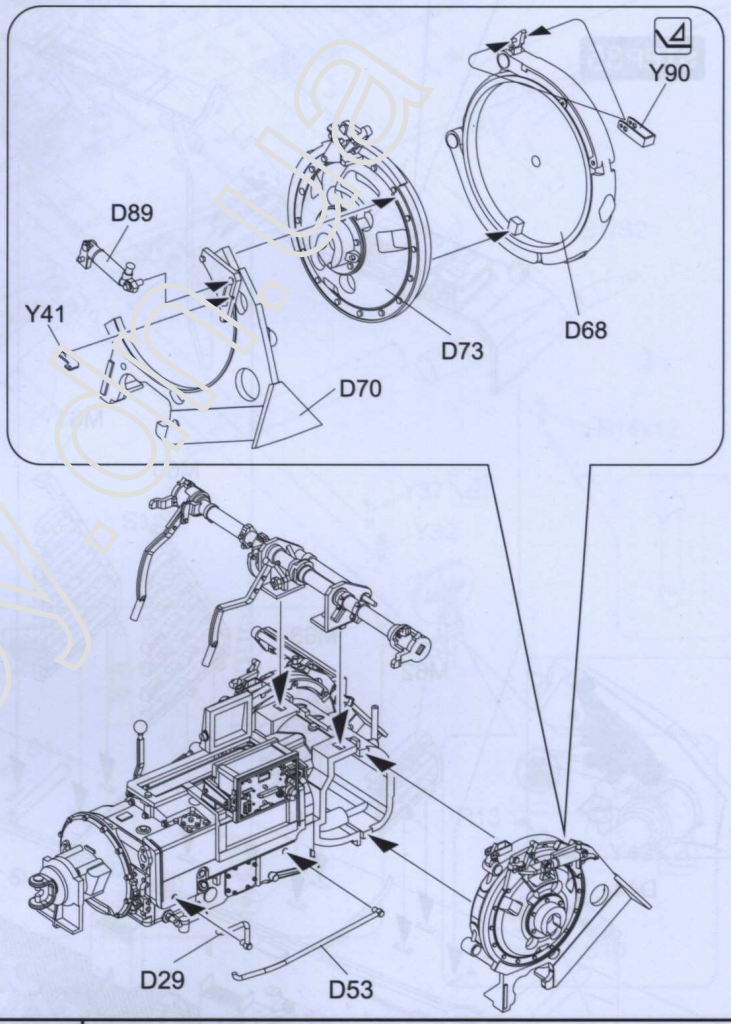


STEP33

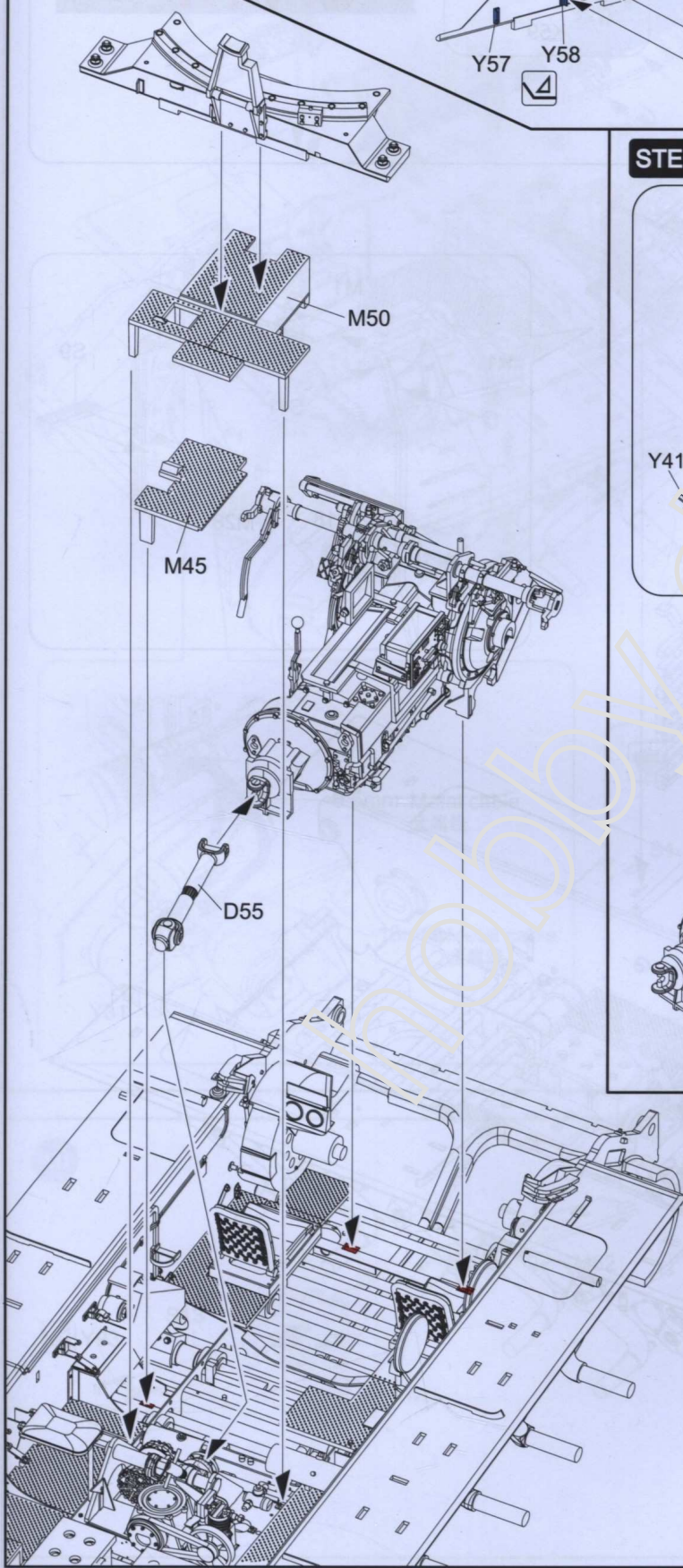
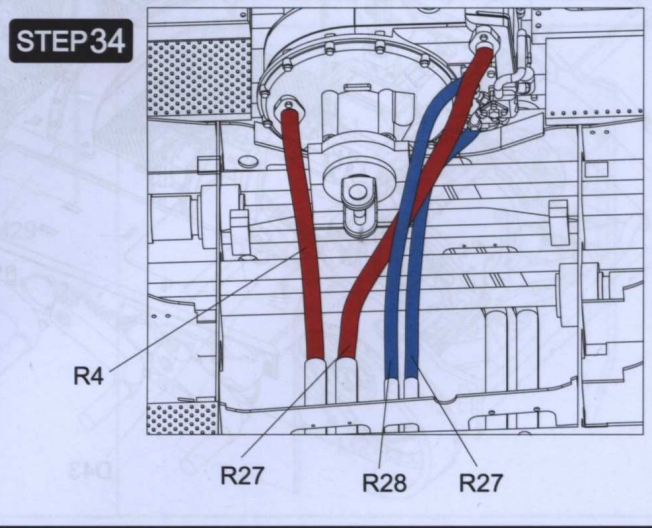
STEP31



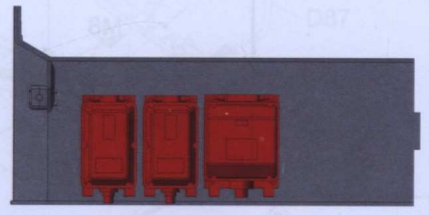
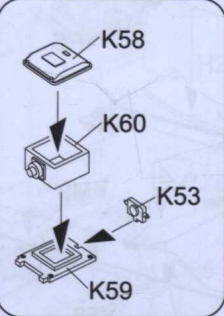
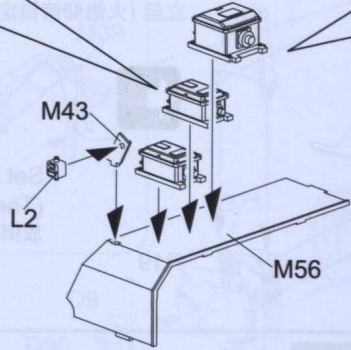
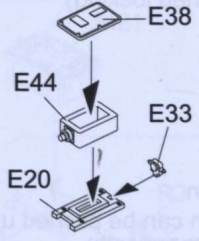
STEP32



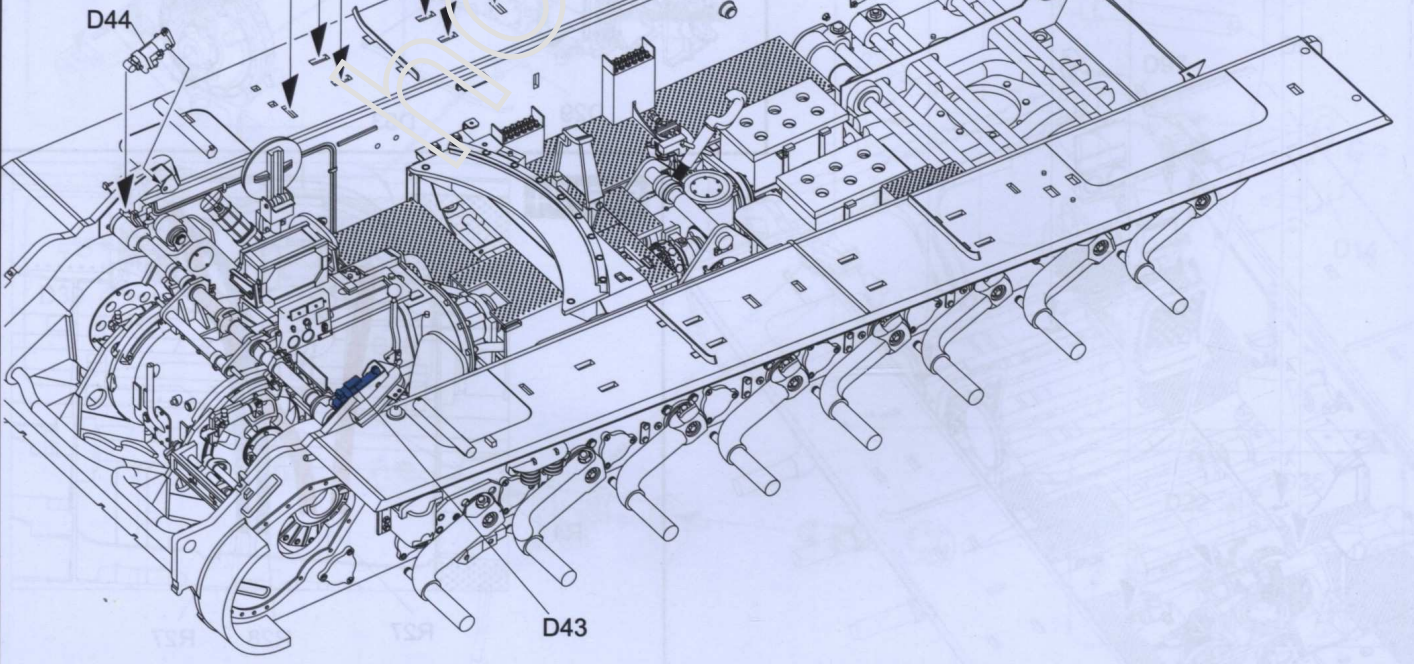
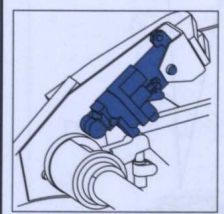
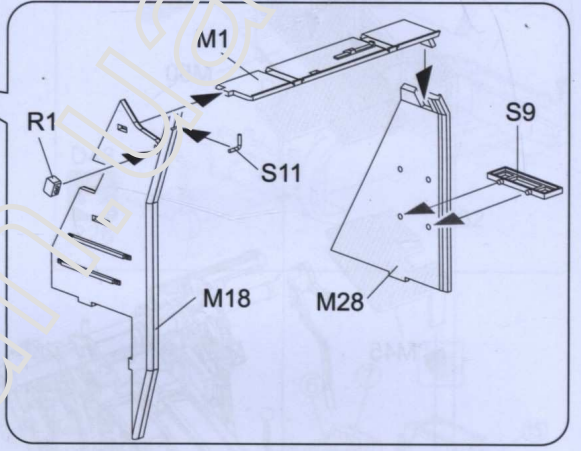
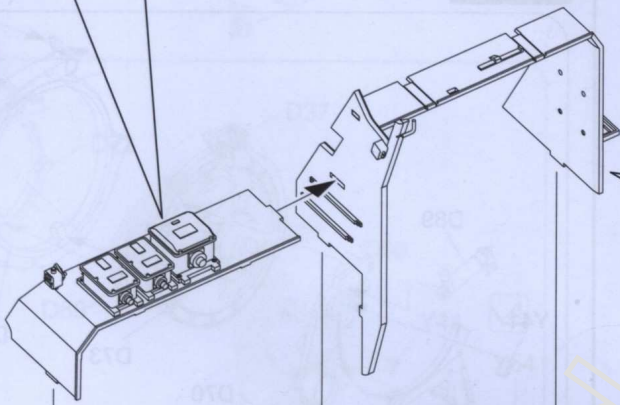
STEP34



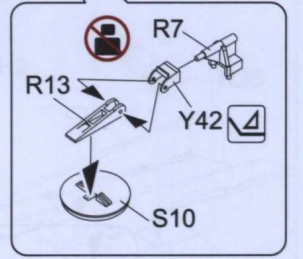
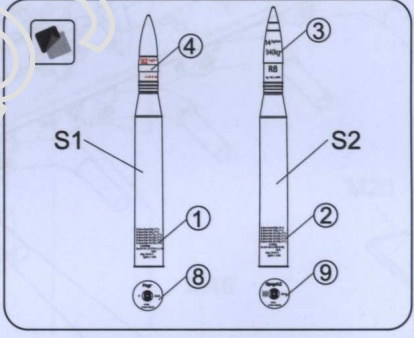
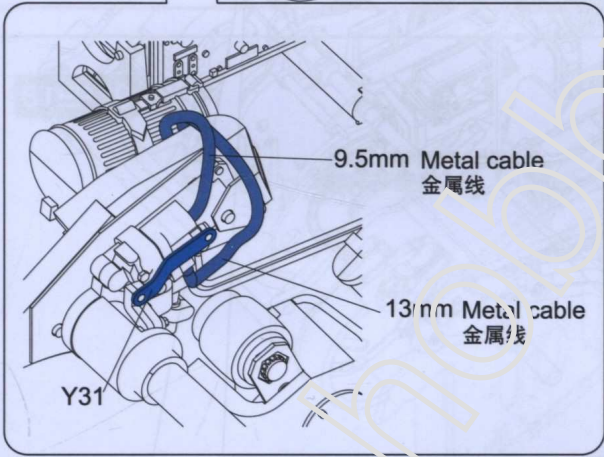
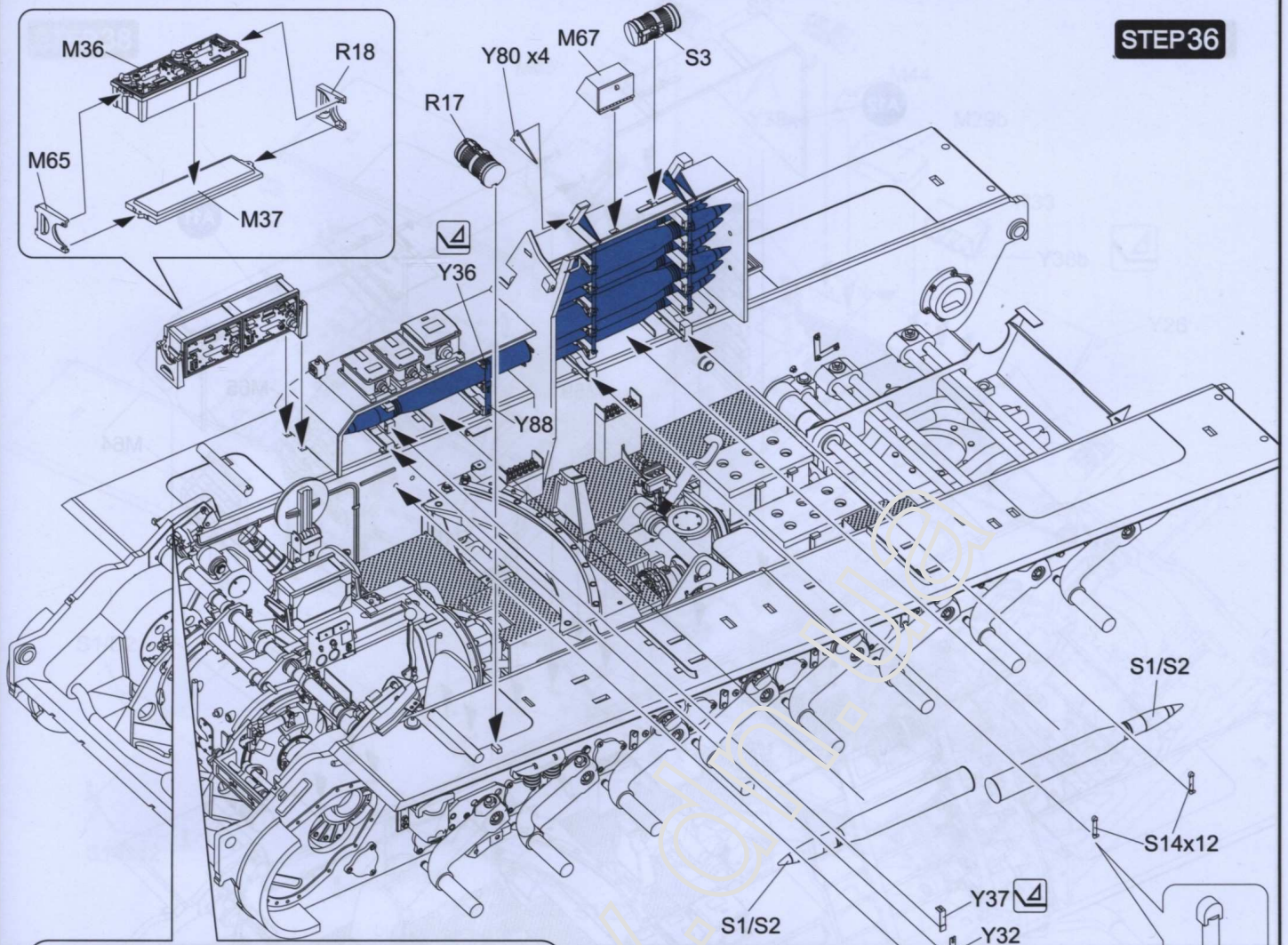
Make 2
制作2组



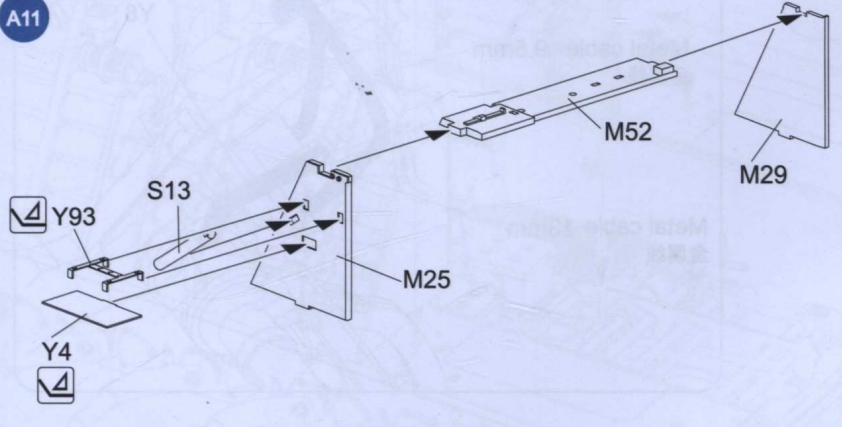
STEP 35



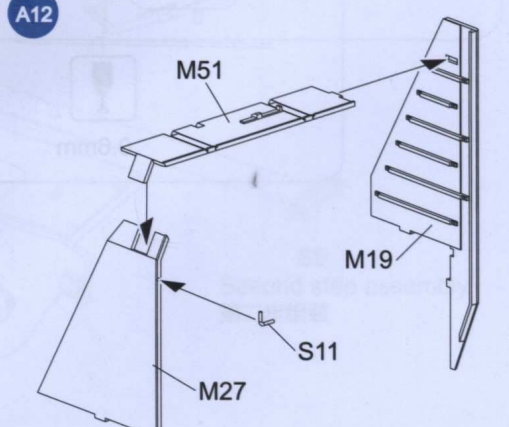
STEP 36



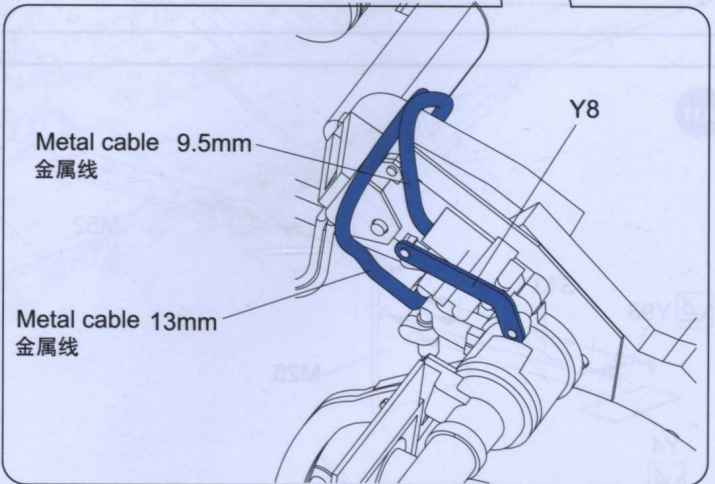
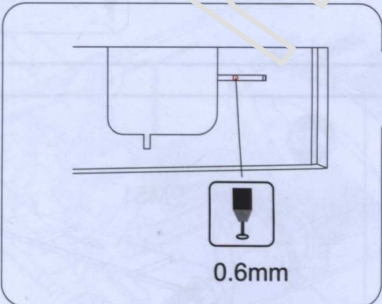
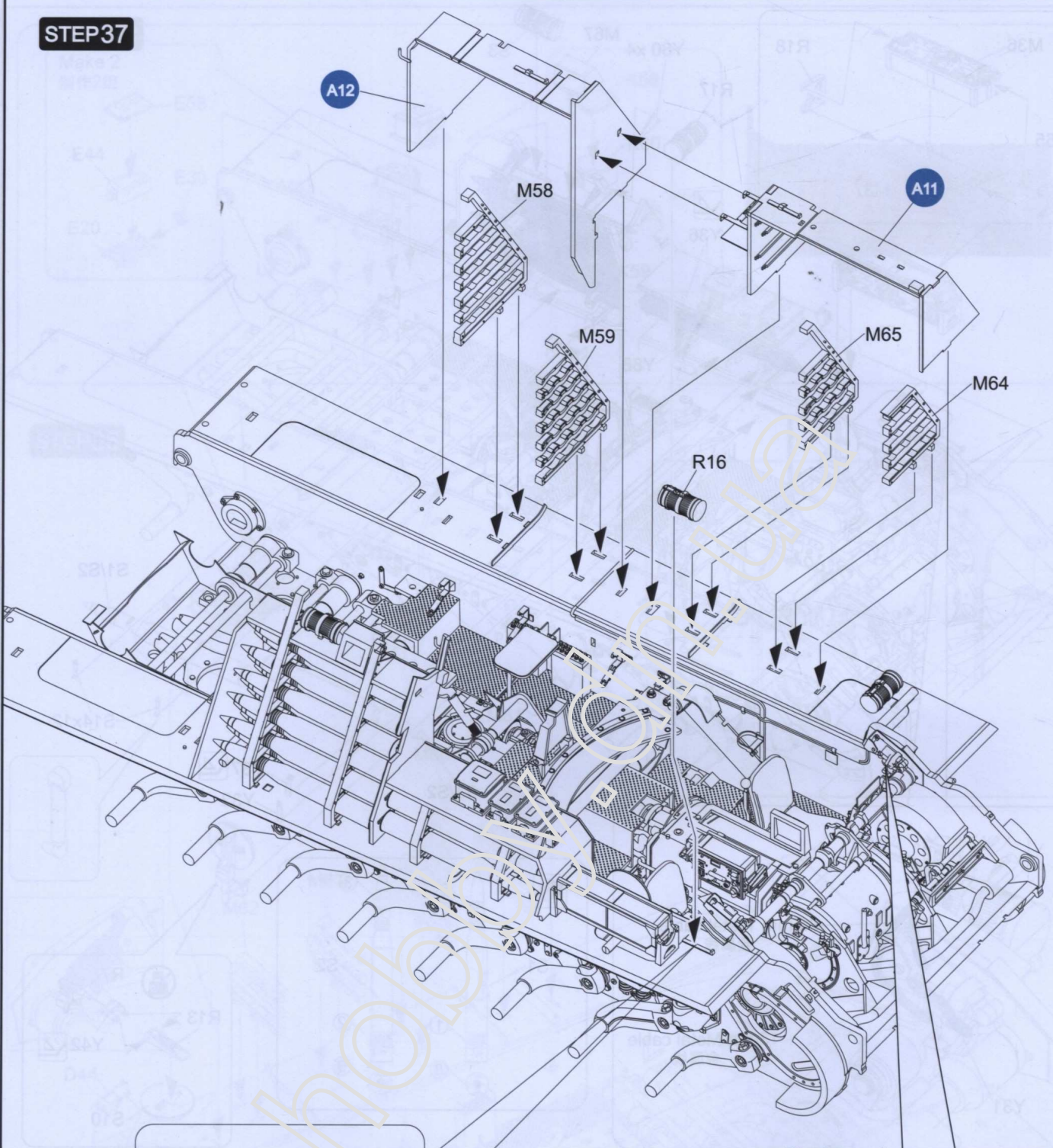
A11



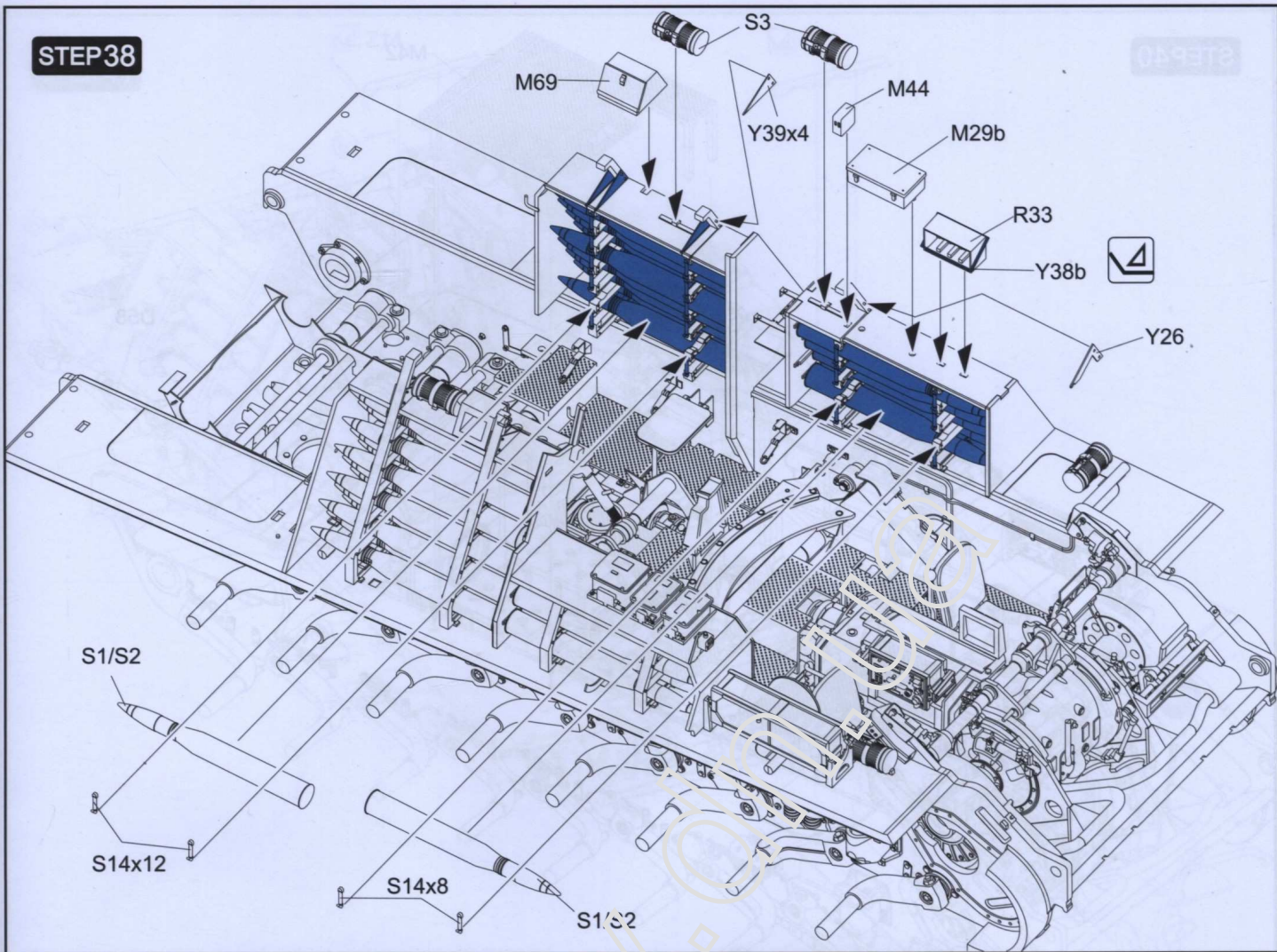
A12



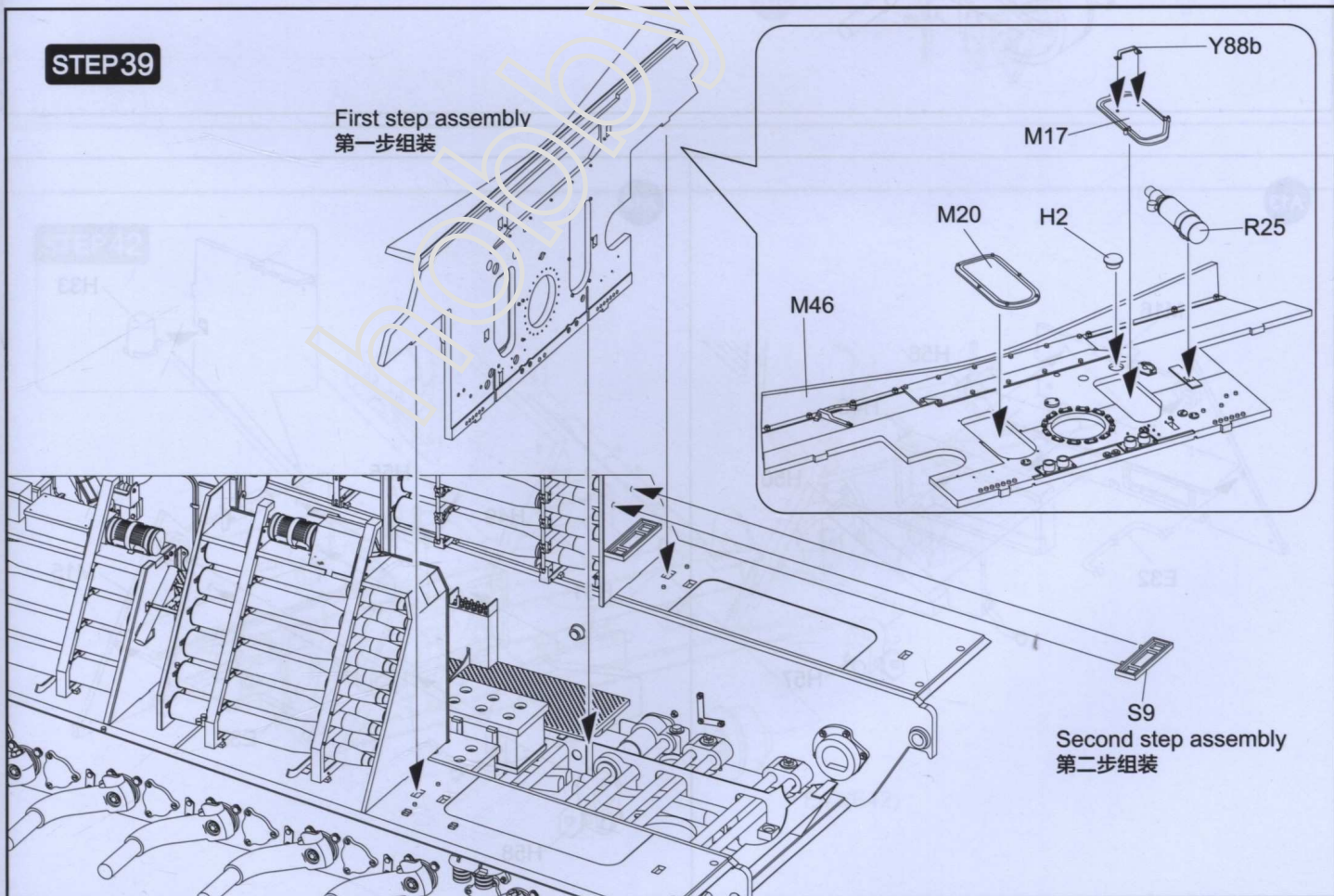
STEP 37



STEP 38

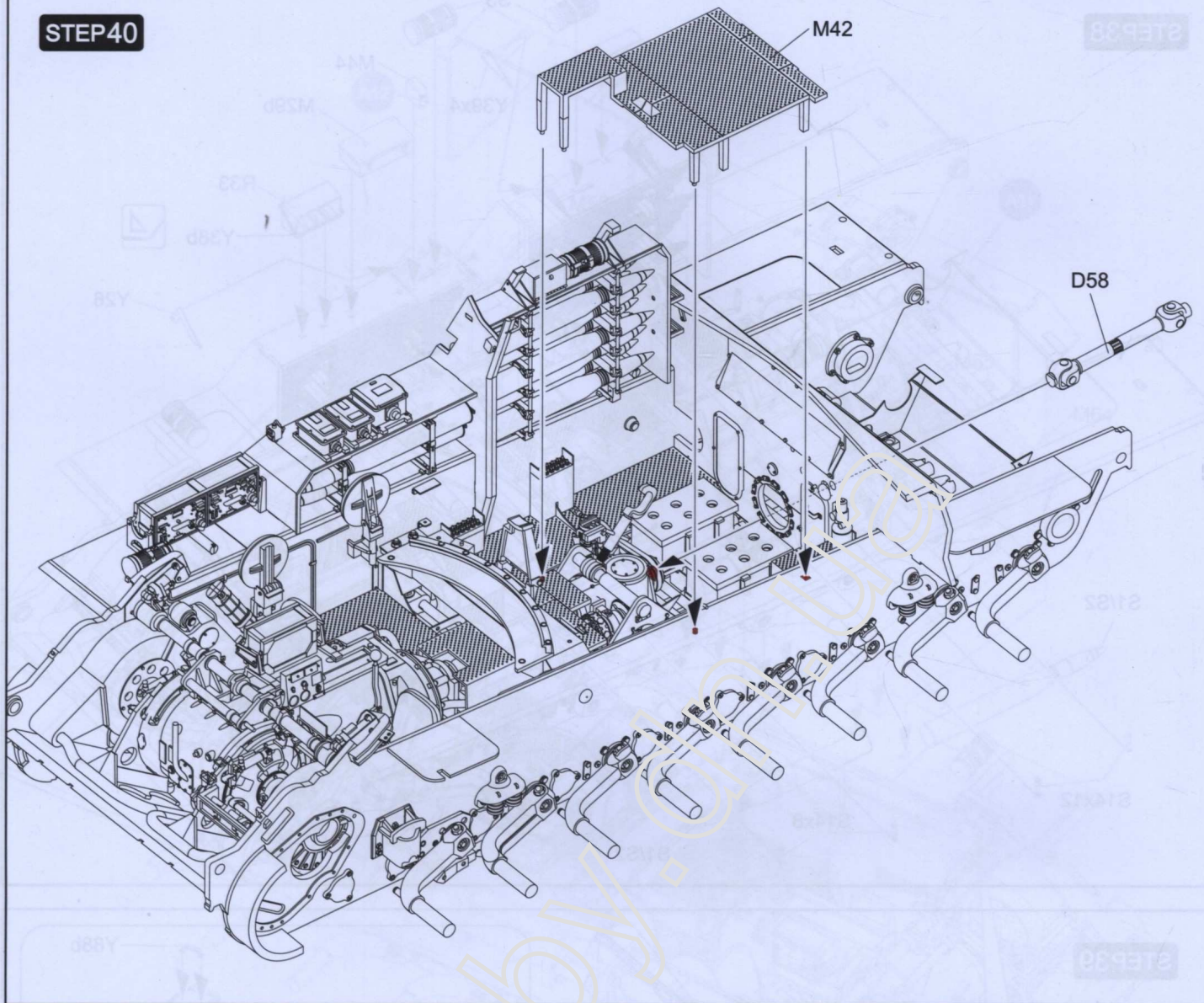


STEP 39

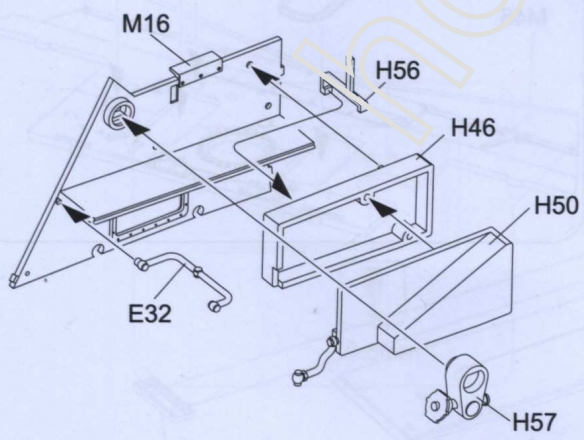


STEP 40

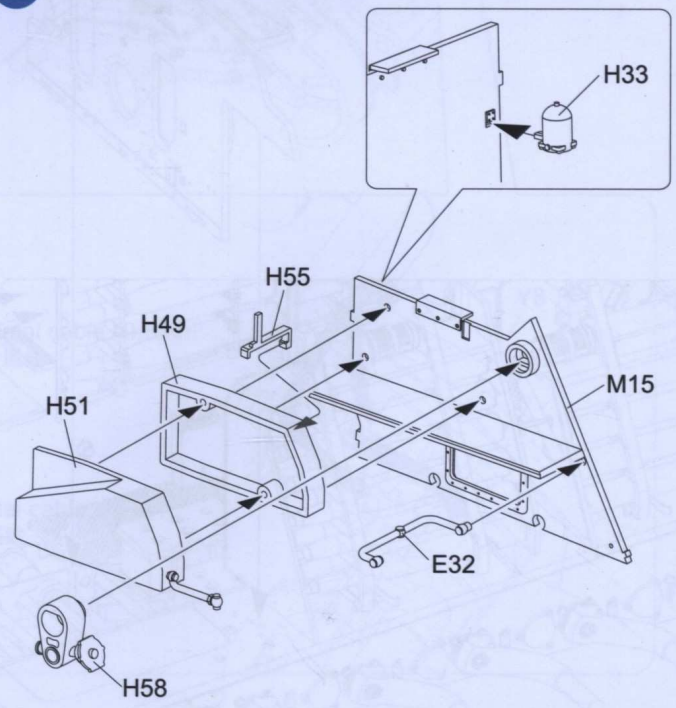
STEP 38



A13



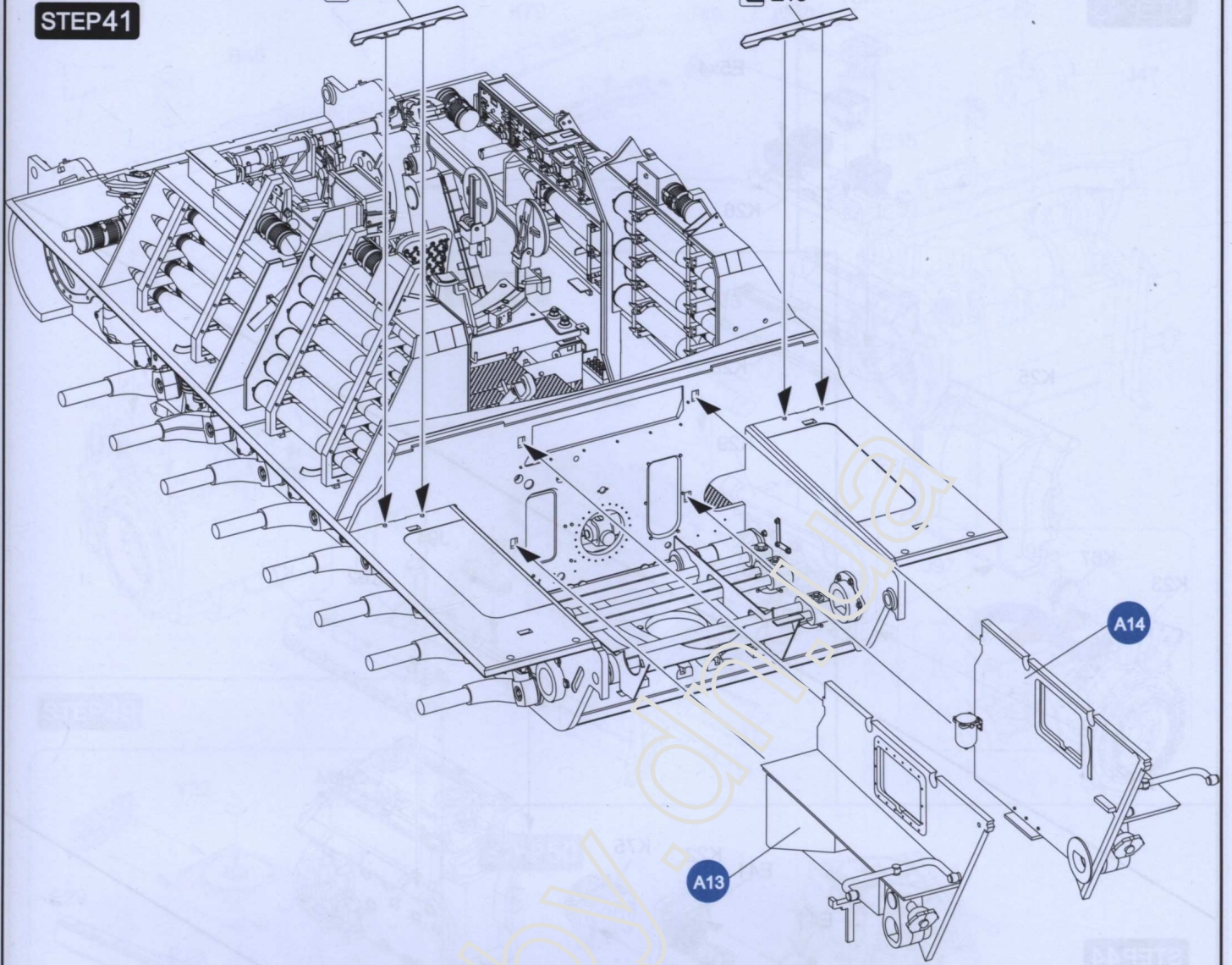
A14



STEP41

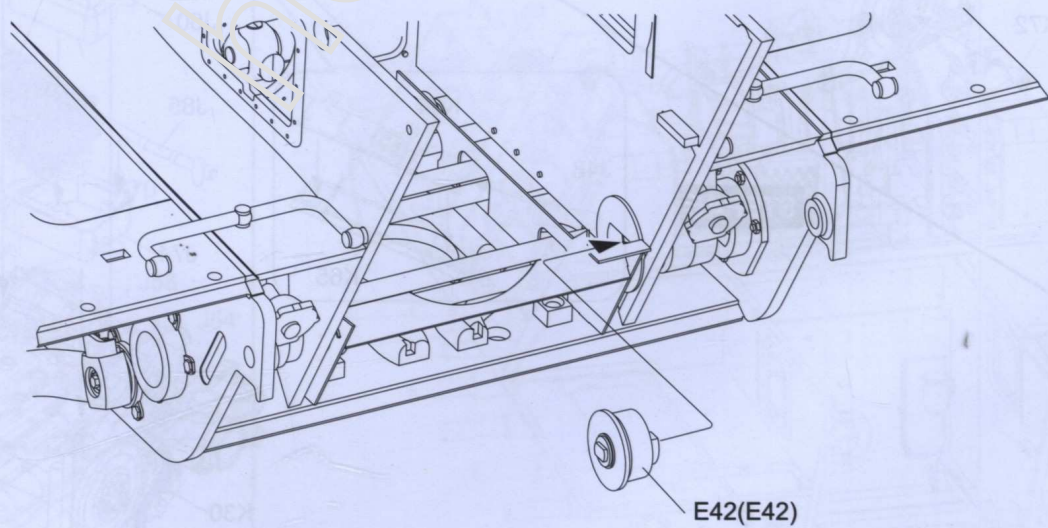
Z14

Z13

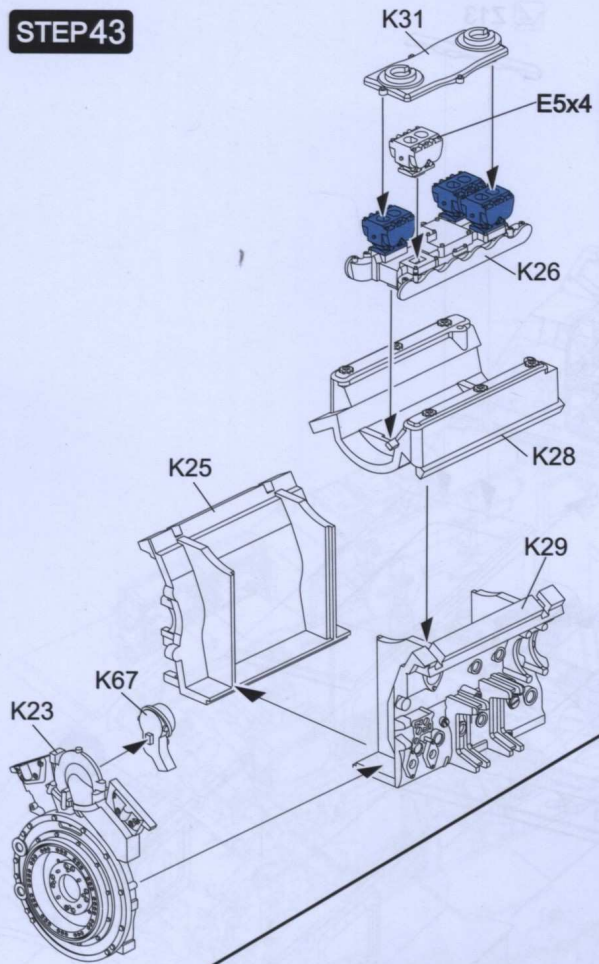


STEP42

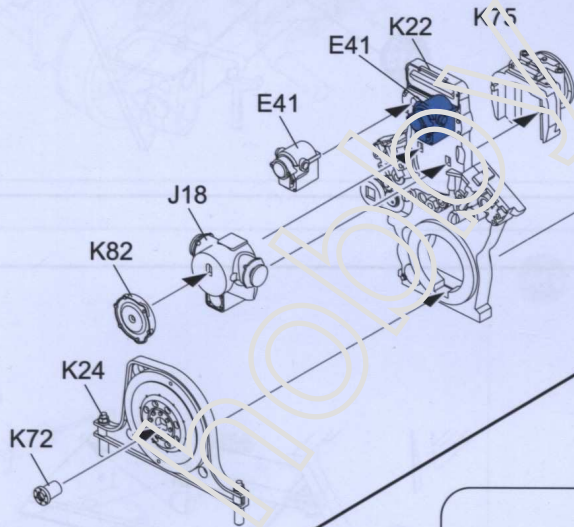
E42(E42)



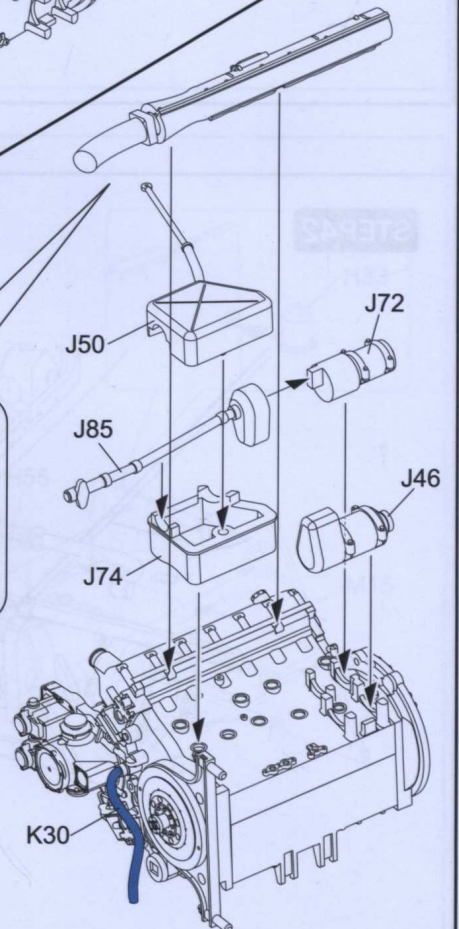
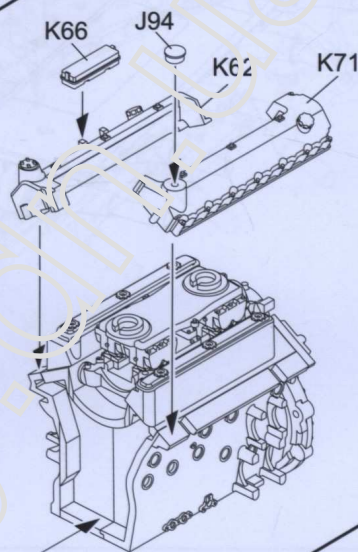
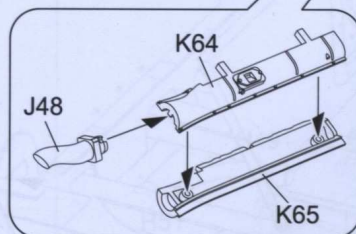
STEP43



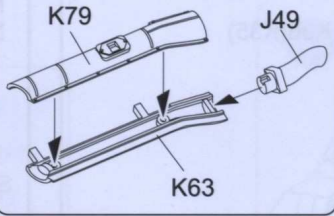
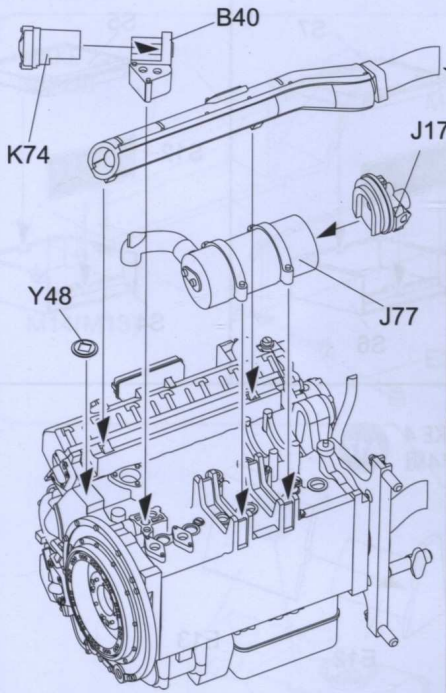
STEP44



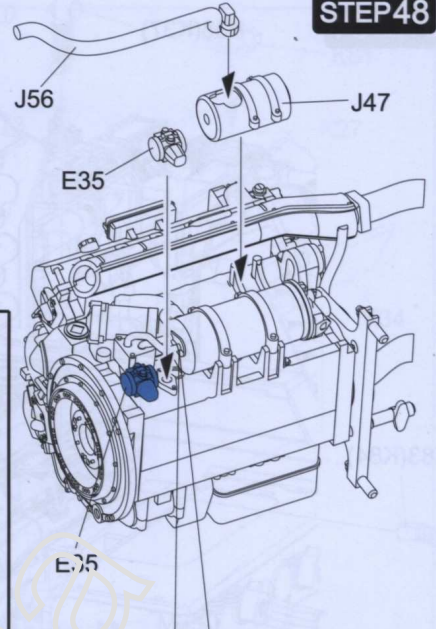
STEP45



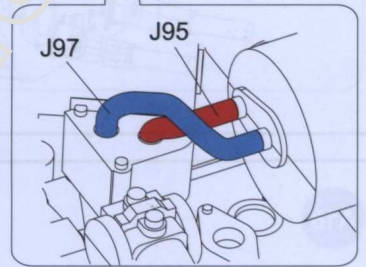
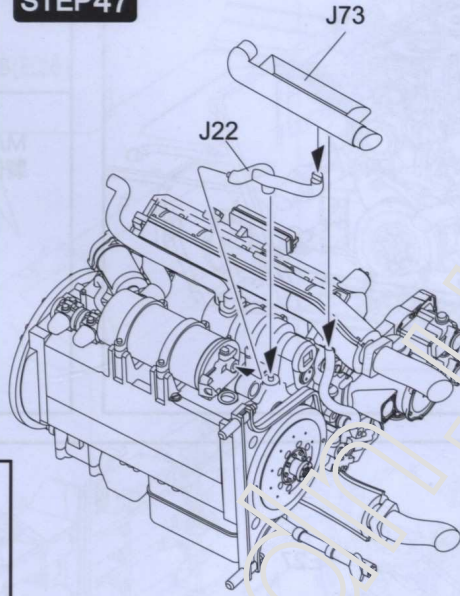
STEP46



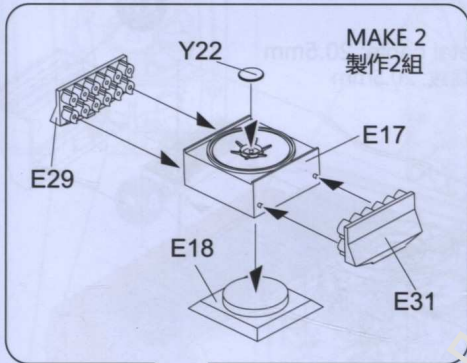
STEP48



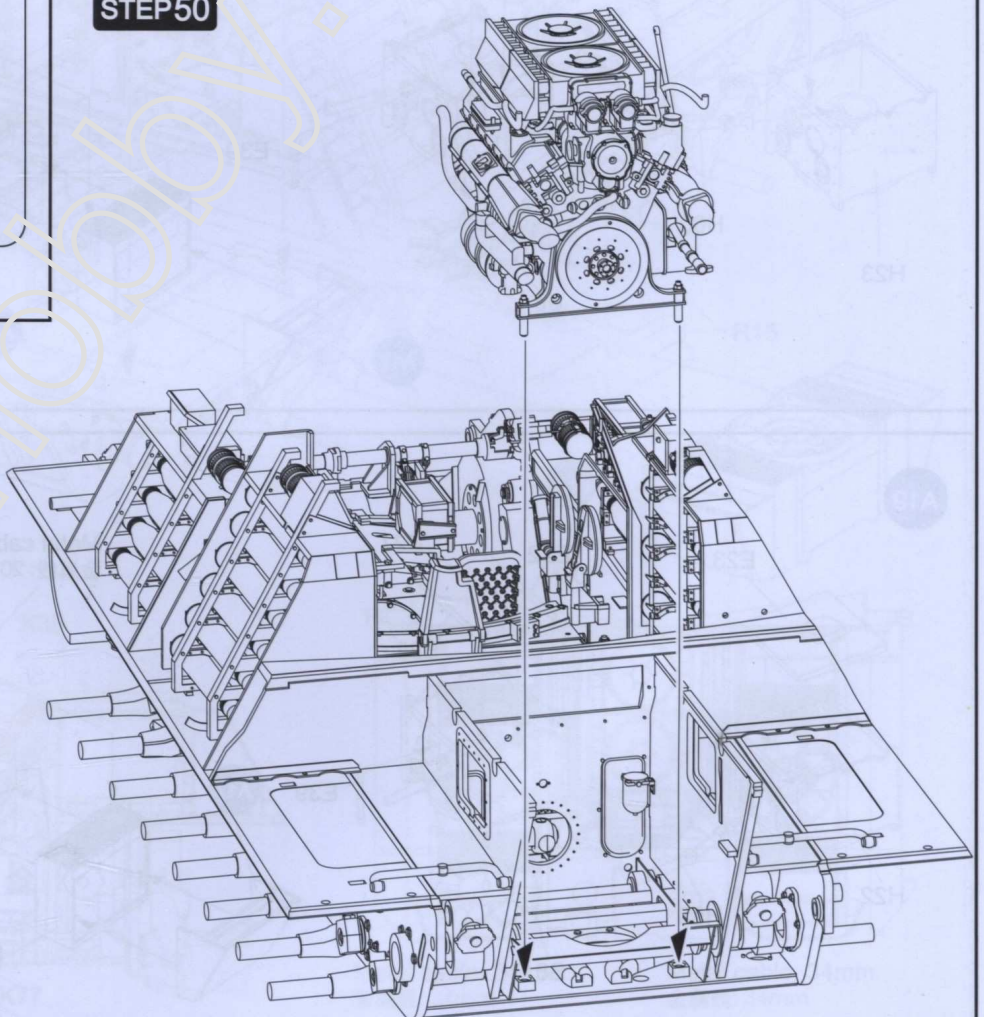
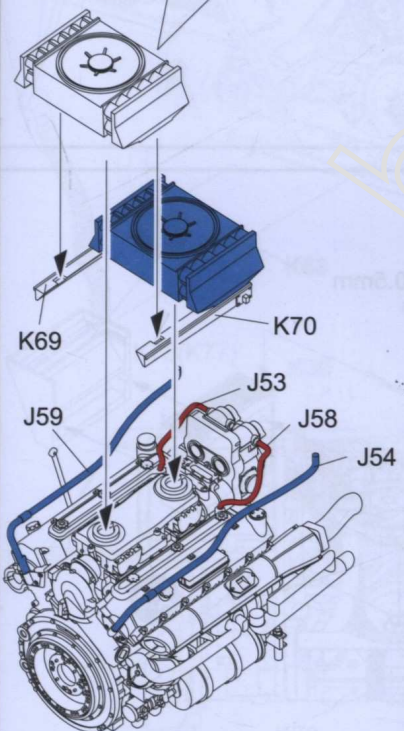
STEP47



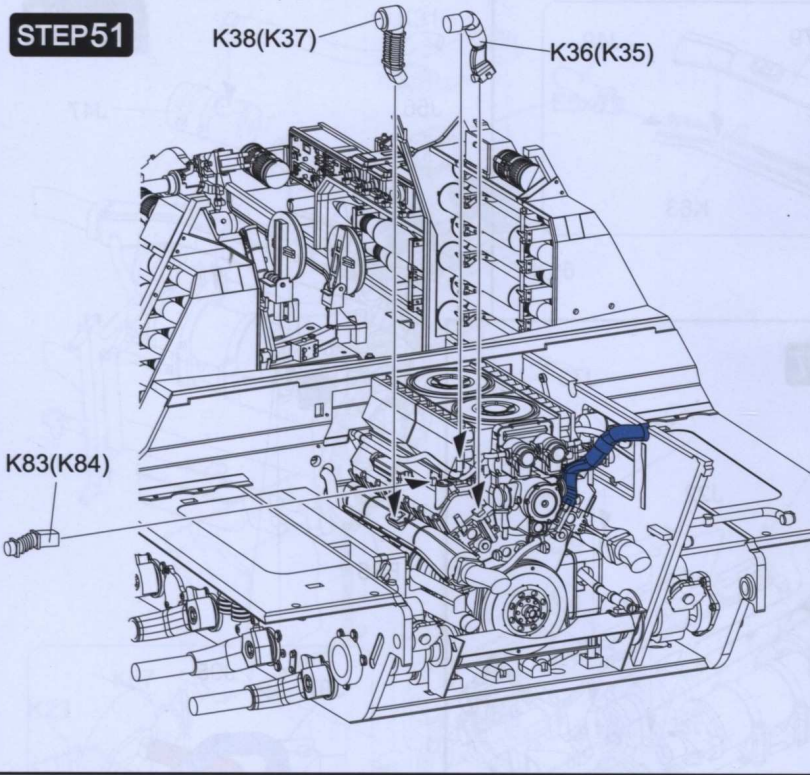
STEP49



STEP50

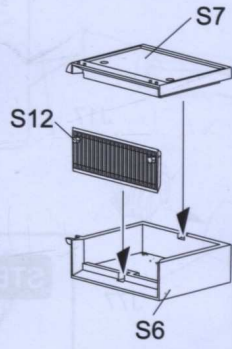


STEP51



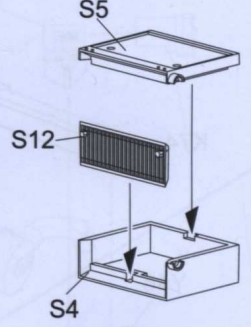
MAKE 2
製作2組

A15



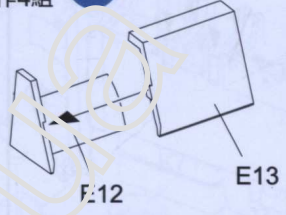
MAKE 2
製作2組

A16

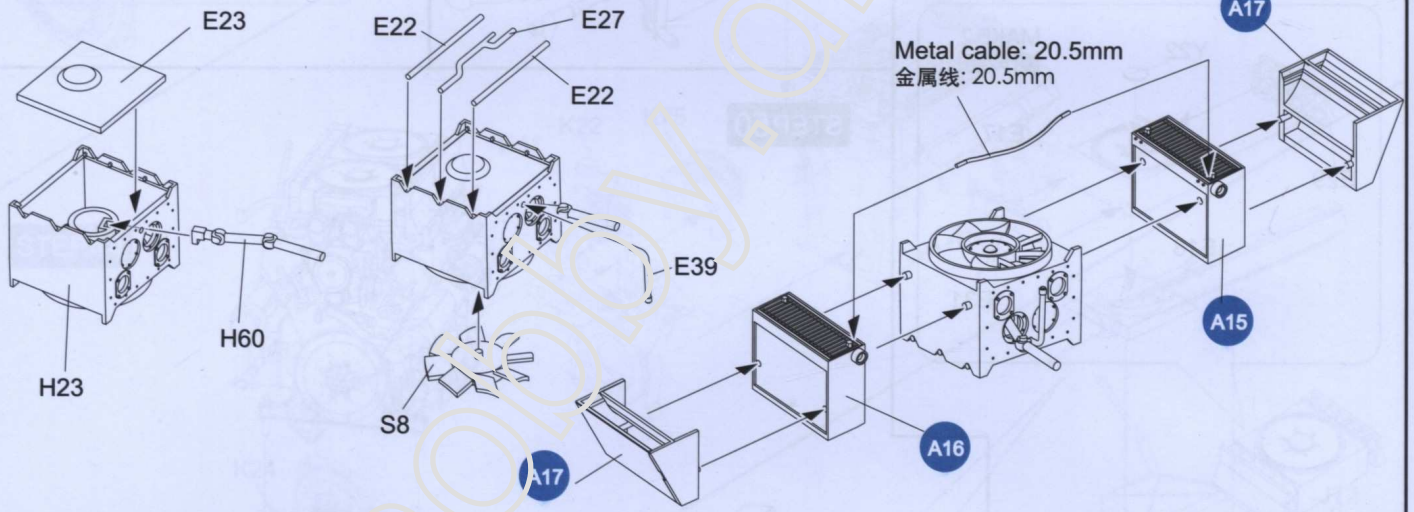


MAKE 4
製作4組

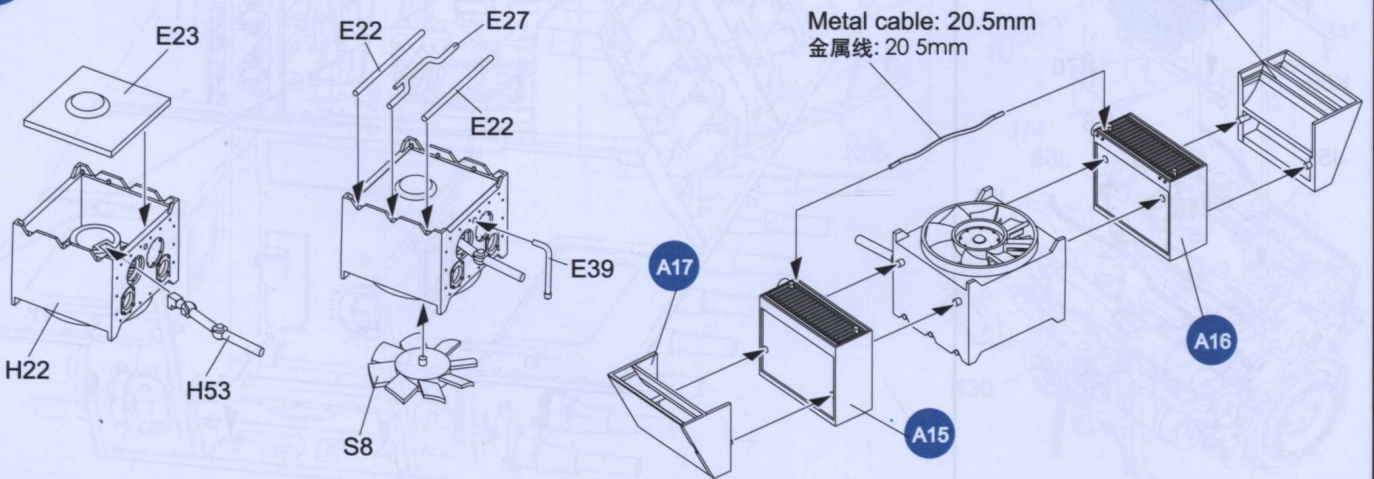
A17



A18

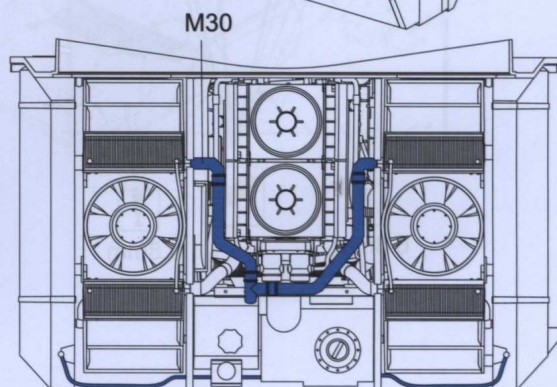
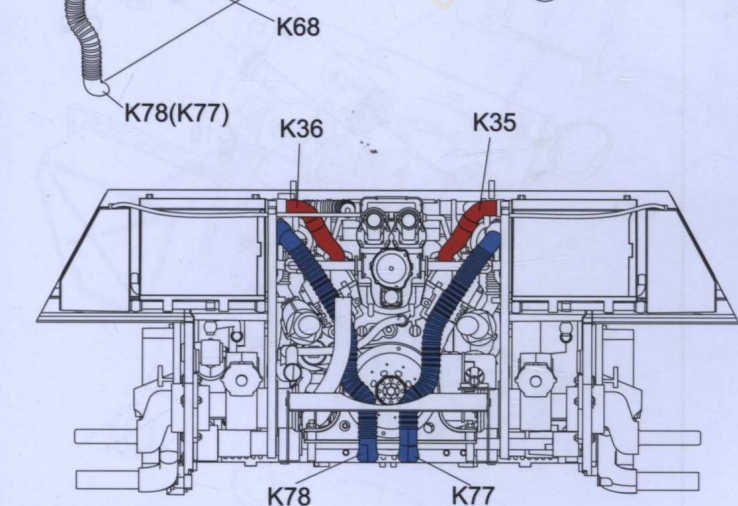
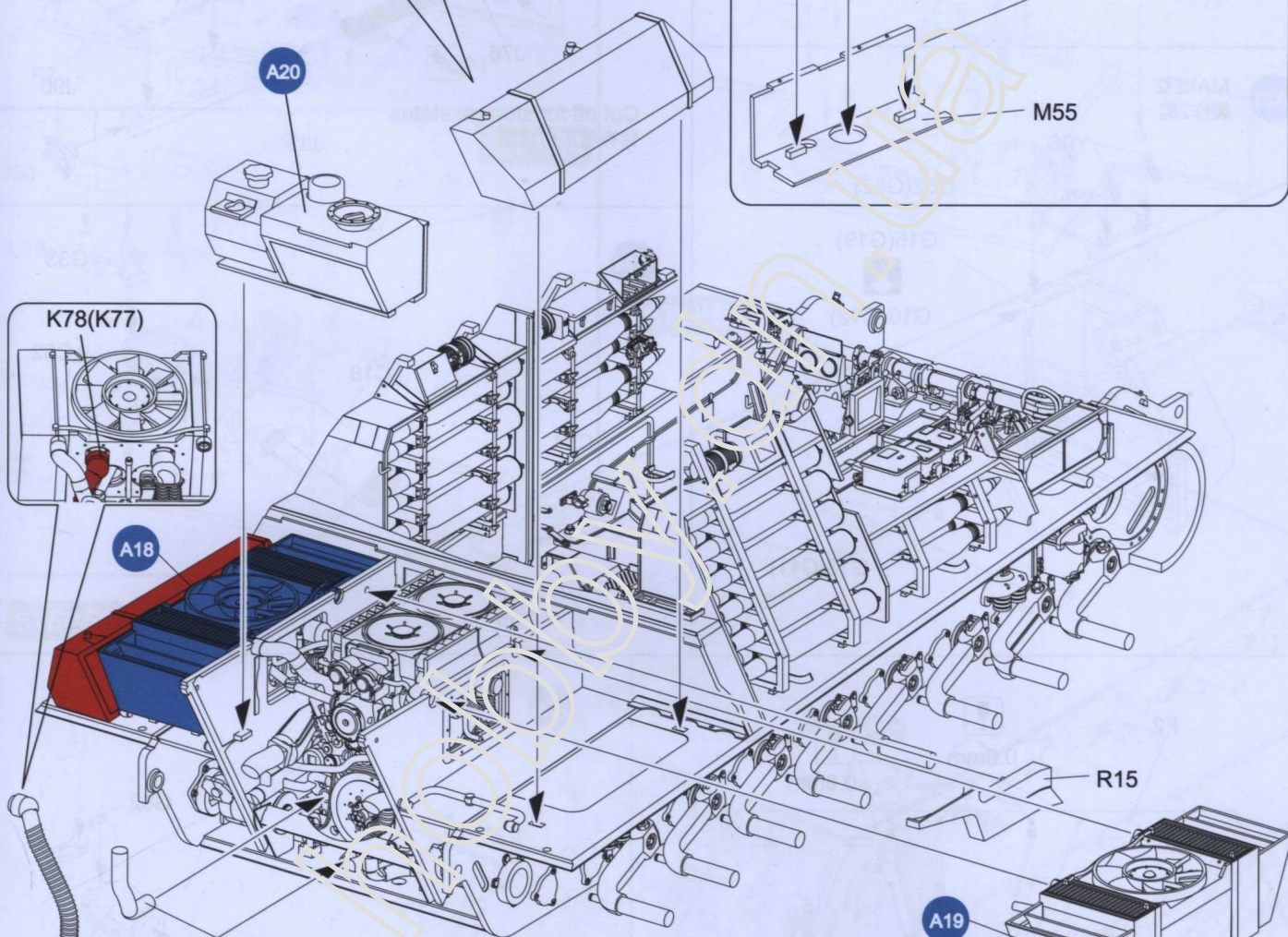
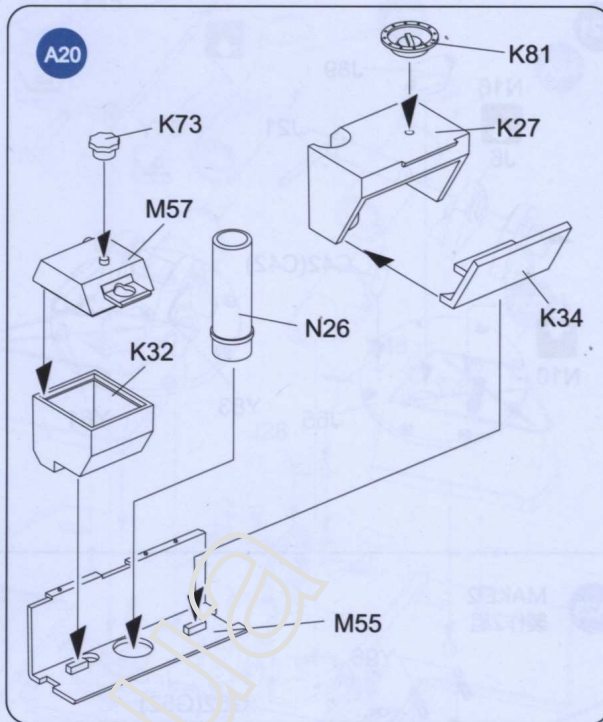
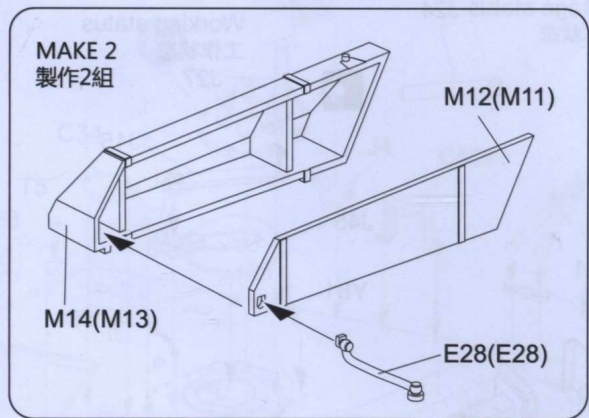


A19



STEP52

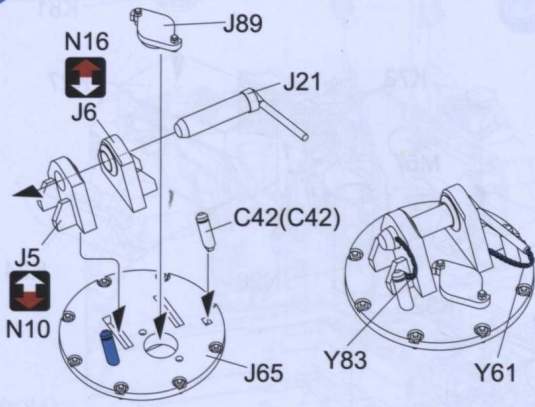
MAKE 2
製作2組



Metal cable: 34mm
金属线: 34mm

Metal cable: 34mm
金属线: 34mm

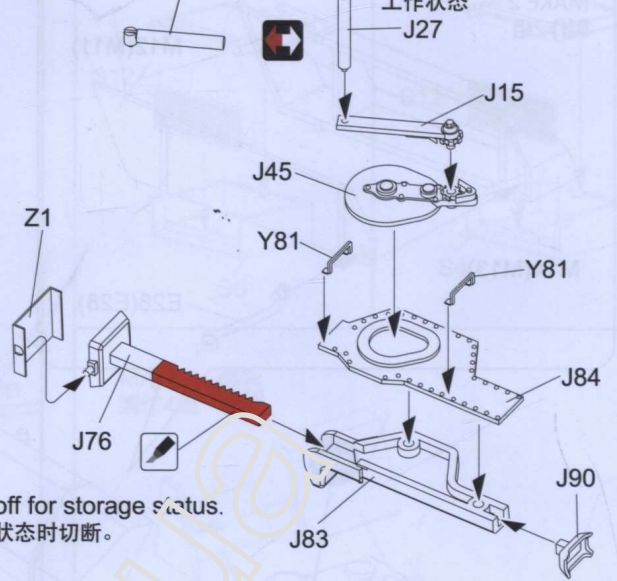
A21



A22

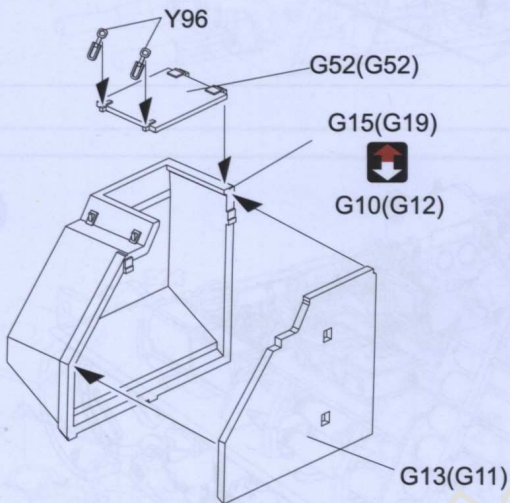
Storage status
储存状态

Working status
工作状态

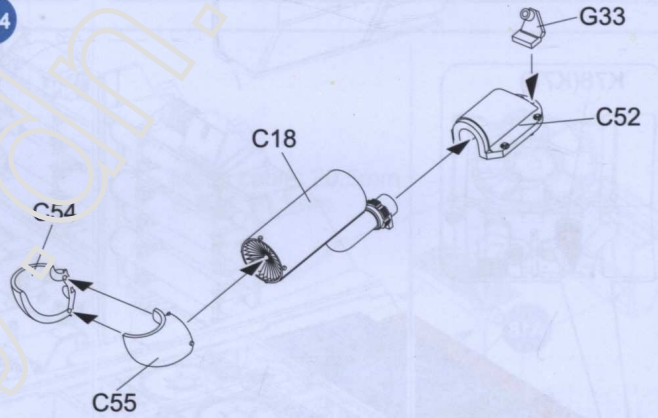


A23

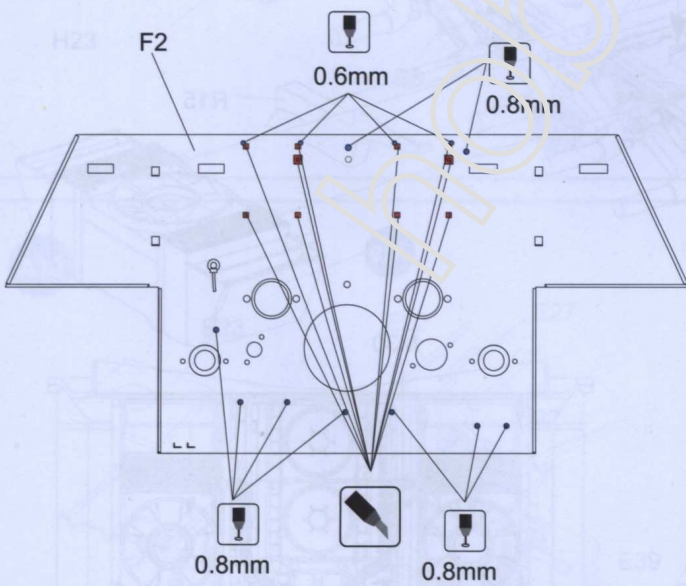
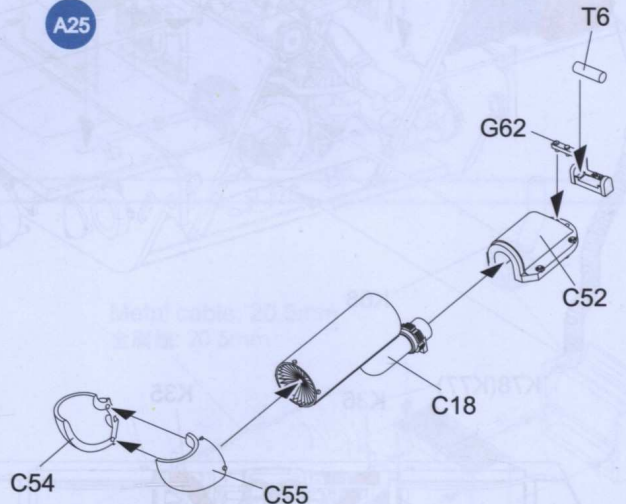
MAKE 2
製作2组



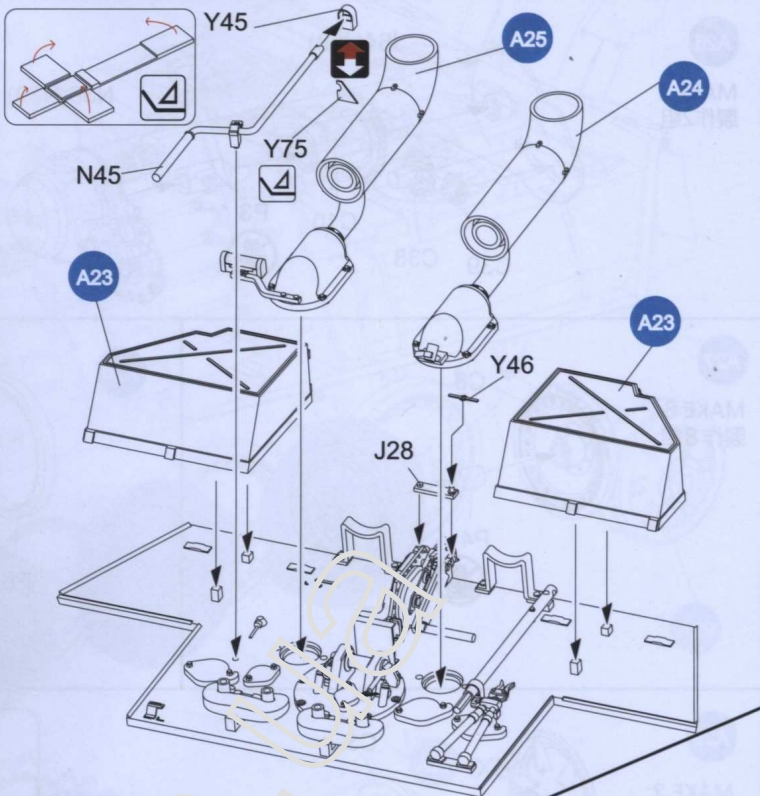
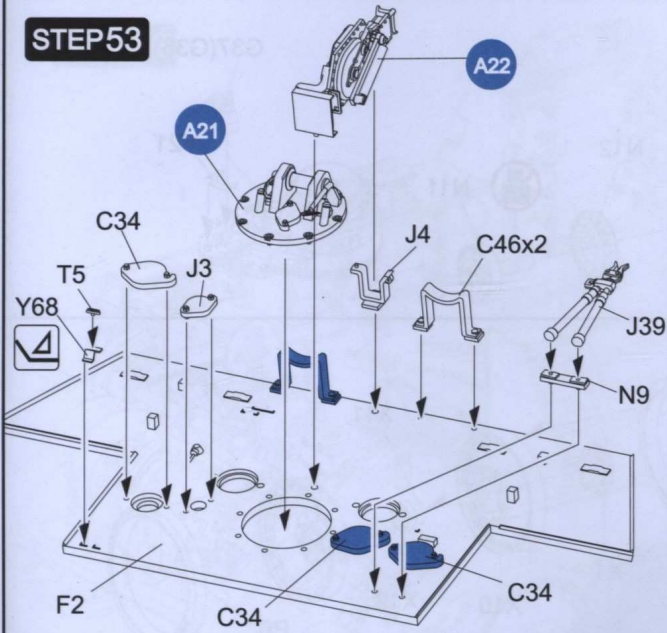
A24



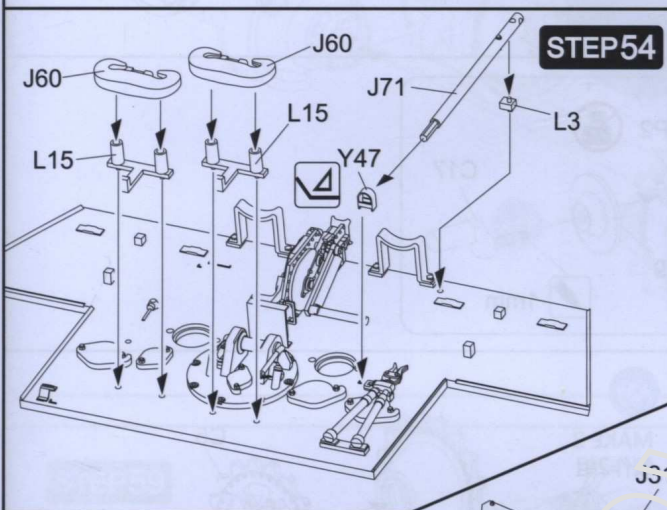
A25



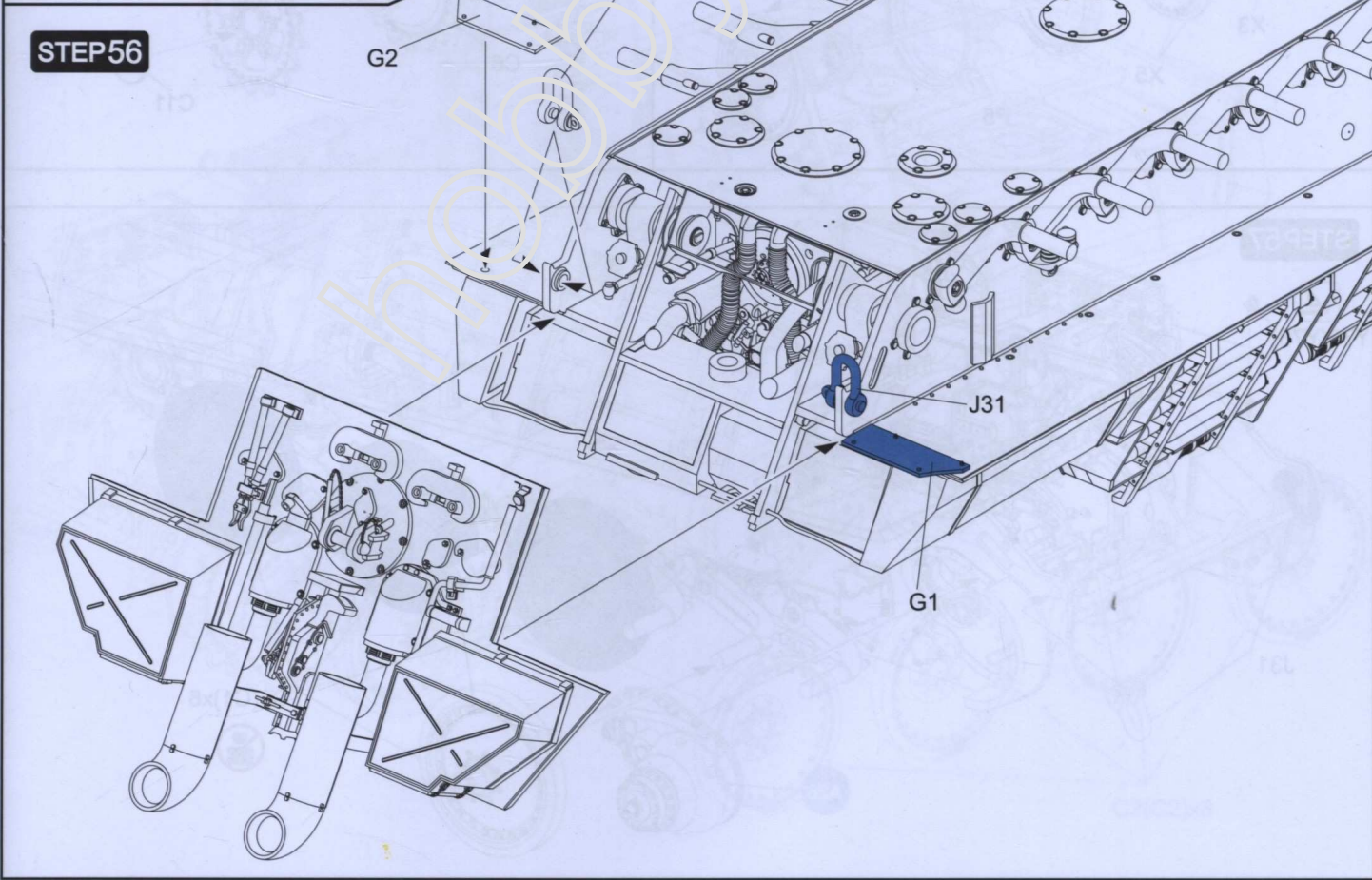
STEP53



STEP54

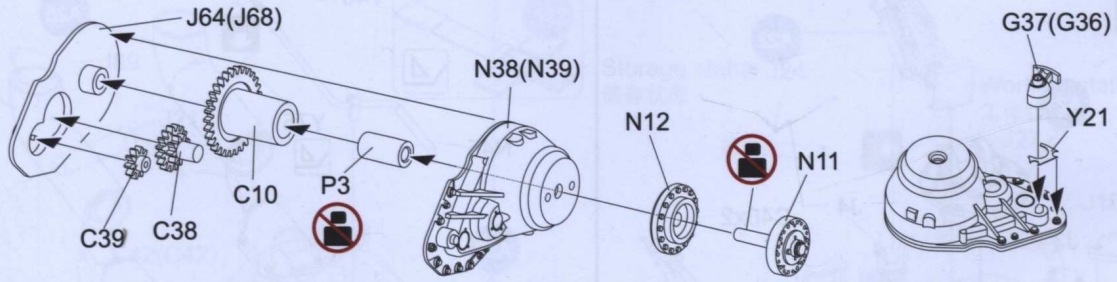


STEP56



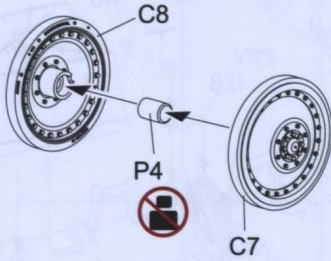
A26

MAKE 2
製作2組

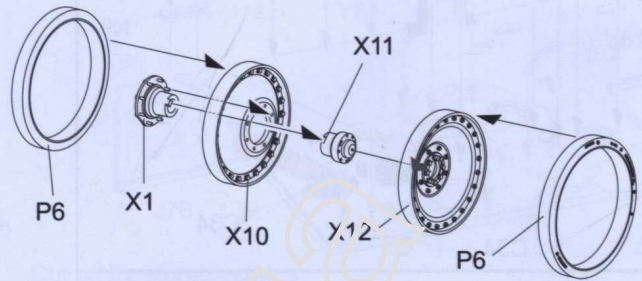


A27

MAKE 8
製作8組

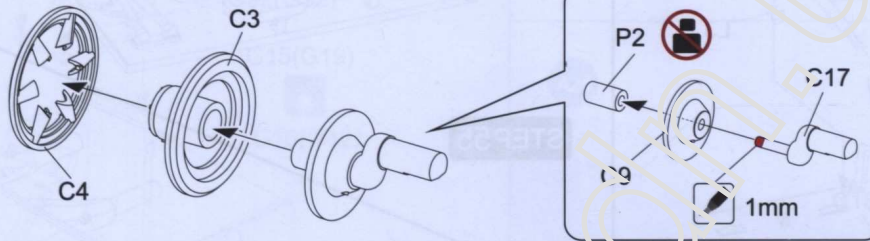


A28

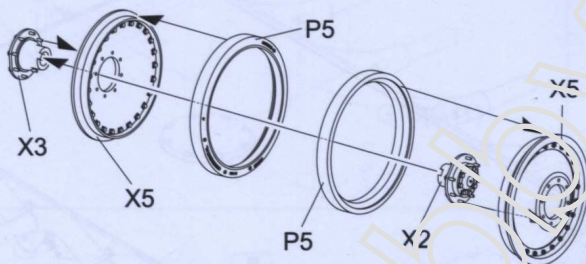


A29

MAKE 2
製作2組

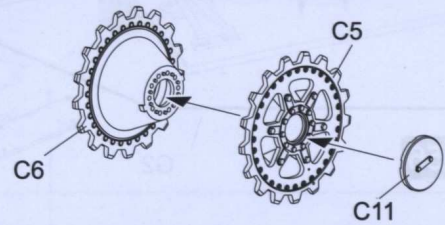


A30



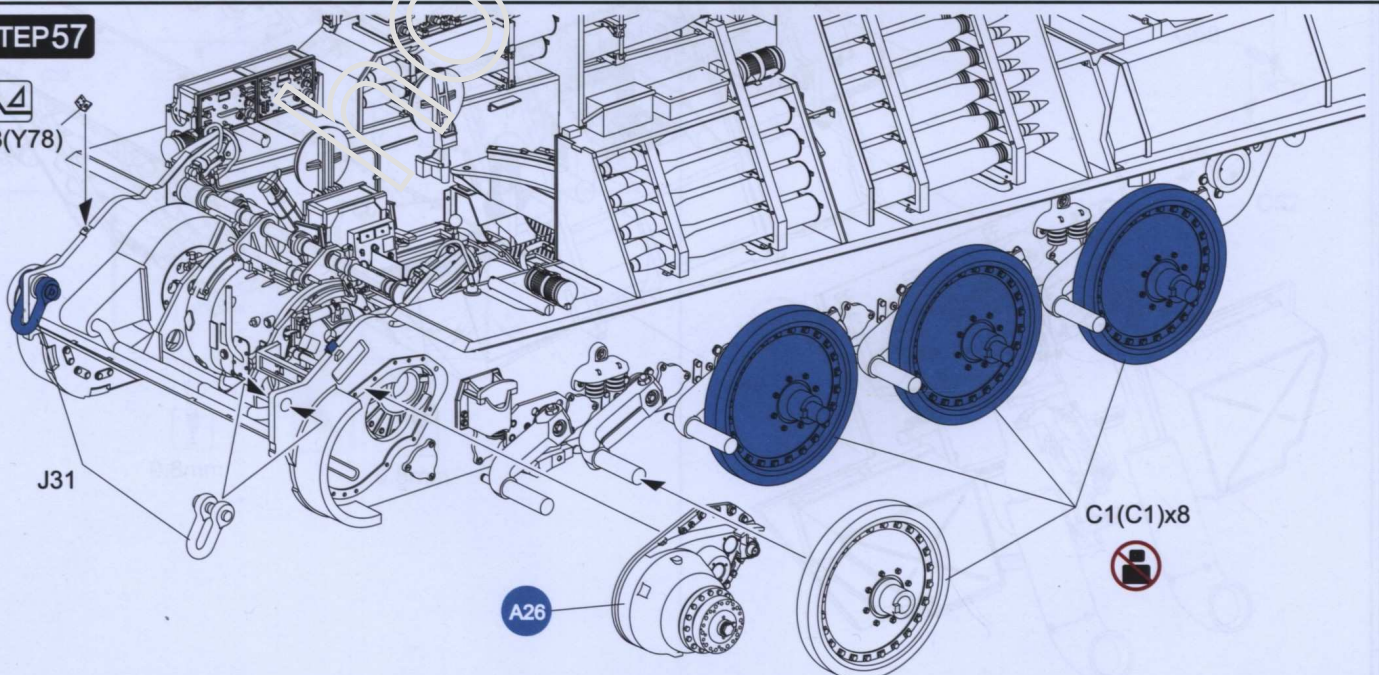
A31

MAKE 2
製作2組

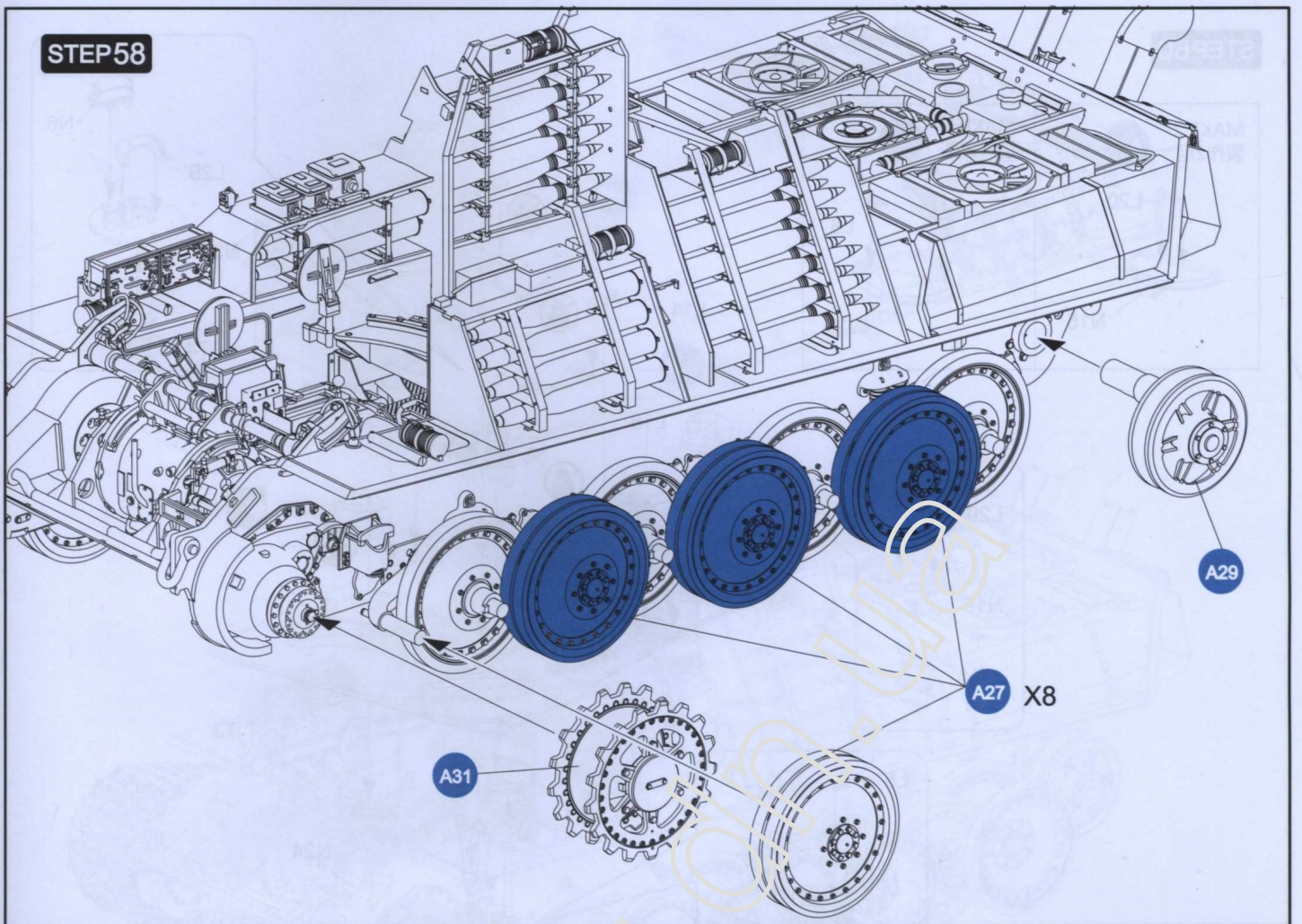


STEP57

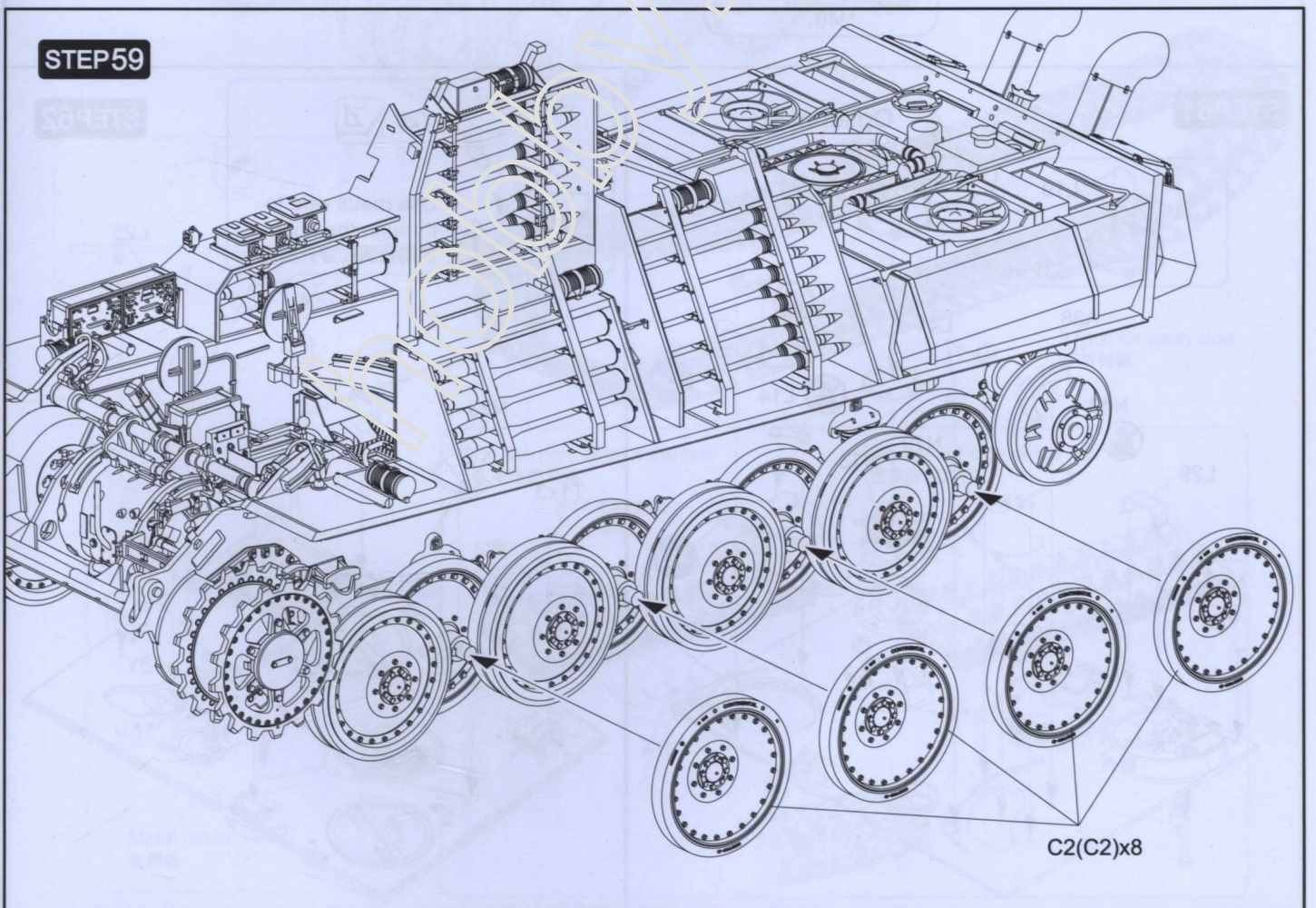
Y78(Y78)



STEP 58



STEP 59



STEP60

MAKE 2
製作2組

A32

MAKE 2
製作2組

A33

STEP61

**Optional
选装**

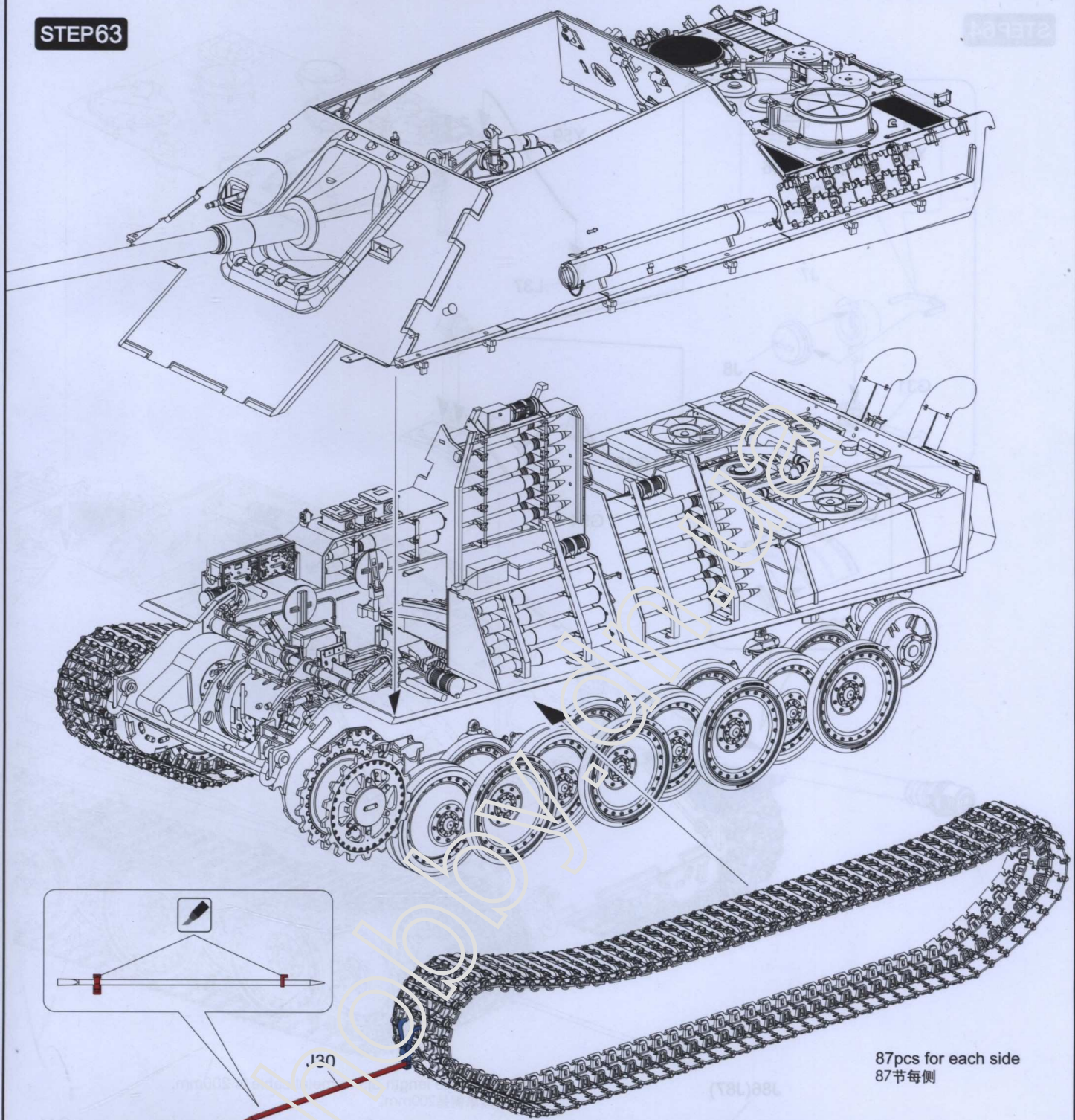
STEP62

Y79 Y29

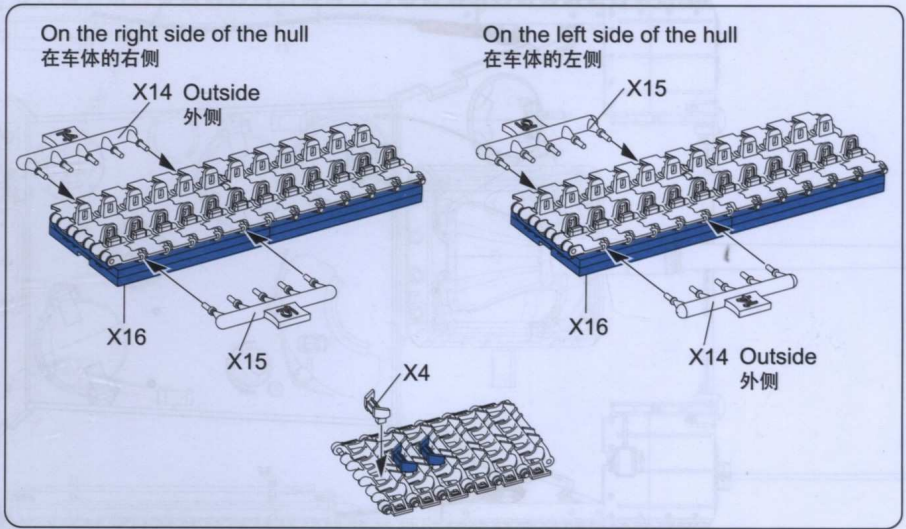
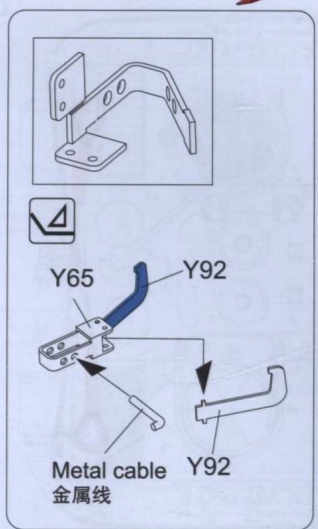
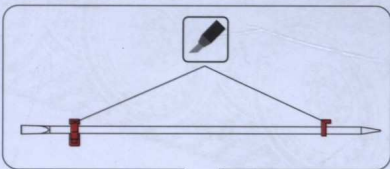
Use metal wire to through the hole.
使用金属线穿孔固定

STEP 63

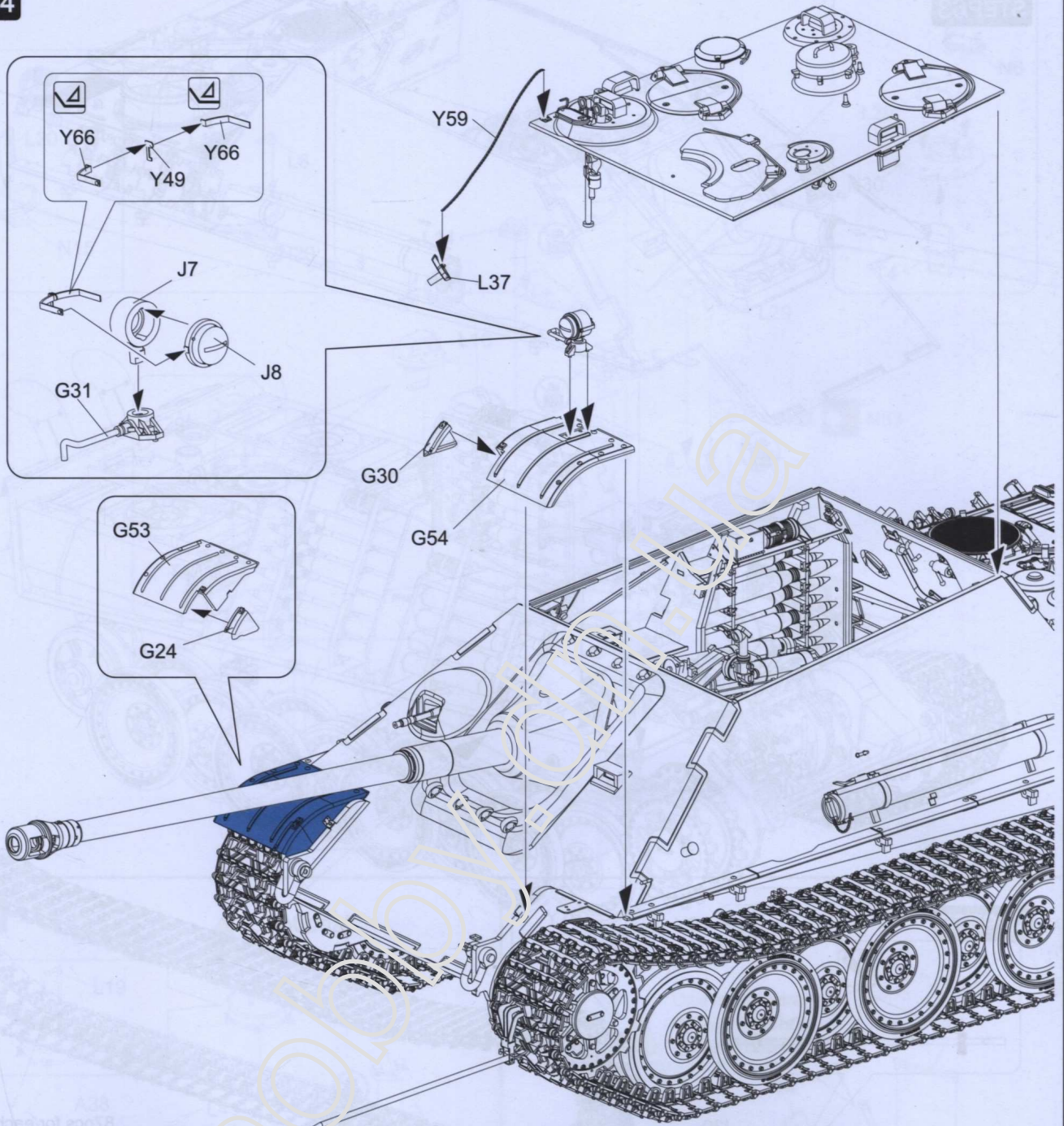
STEP 63



87pcs for each side
87节每侧



STEP 64



186(J67)

Each side of the length of the metal cable is 200mm.
缆绳的长度单侧是200mm。

