

LIMITED EDITION

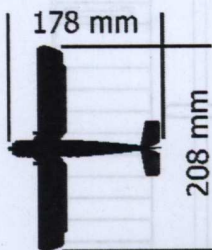
SOVA-M  
SVM-72023

KDA-2  
Type 88-II  
Light Bomber

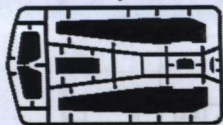


UNASSEMBLED PLASTIC MODEL KITS

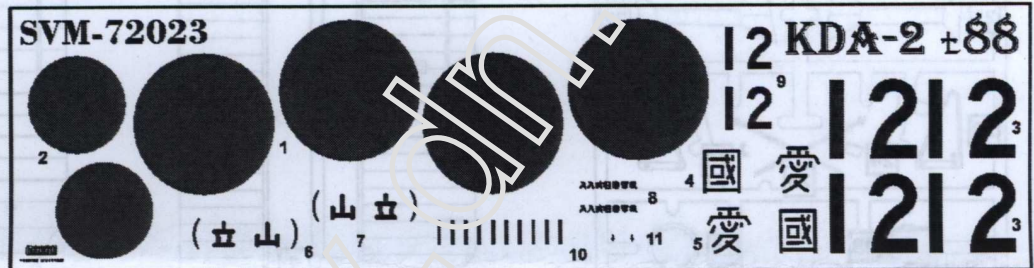
SCALE:1/72



115 parts



DECALS



ONE VERSION OF COLOURING

The Army KDA-2 Type 88 Reconnaissance Aircraft was designed for Kawasaki in 1927. After flight testing, the aircraft was accepted and ordered into production as the Army Type 88-1 Reconnaissance Biplane. At the beginning of 1929 a new version of the aircraft the Type 88-II was designed and put into production. Between 1929 and 1932, a bomber version was built as the Type 88 Light Bomber, differed with a strengthened lower wing and an additional pair of centre-section struts. Both reconnaissance and bomber versions participated in combat of the Imperial Japanese Army Air Force during the Second Sino-Japanese War until 1940.

The model is executed on technology short run and is intended only for experienced modelers.

Word-wide distributor for Sova-M kits:  
ModelSvit Balkans Ltd. 4003 Plovdiv,  
Bulgaria 9, zK Maritza Gardens.  
Tel. +359 32 397 069,  
E-Mail: modelsvitbalkans@gmail.com  
MADE IN UKRAINE

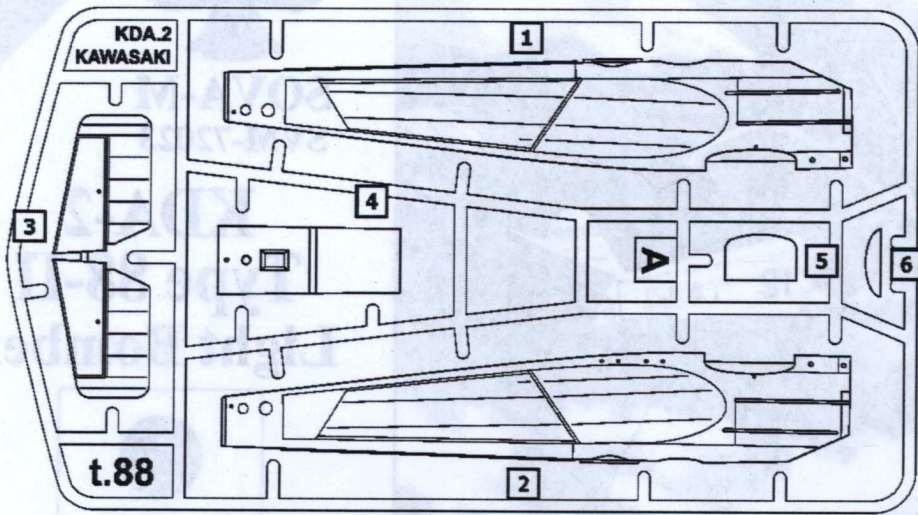
PAINTS

- |          |  |                               |          |  |                         |
|----------|--|-------------------------------|----------|--|-------------------------|
| <b>A</b> |  | HUMBROL 147<br>LIGHT GREY     | <b>B</b> |  | HUMBROL 33<br>BLACK     |
| <b>C</b> |  | HUMBROL 53<br>GUNMETAL        | <b>D</b> |  | HUMBROL 27003<br>STEEL  |
| <b>E</b> |  | HUMBROL 110<br>WOOD           | <b>F</b> |  | HUMBROL 113<br>RUST     |
| <b>G</b> |  | HUMBROL 158<br>INTERIOR GREEN | <b>H</b> |  | HUMBROL 56<br>ALUMINIUM |
| <b>J</b> |  | HUMBROL 62<br>LEATHER         |          |  |                         |

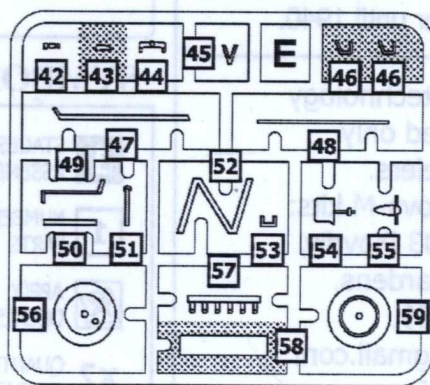
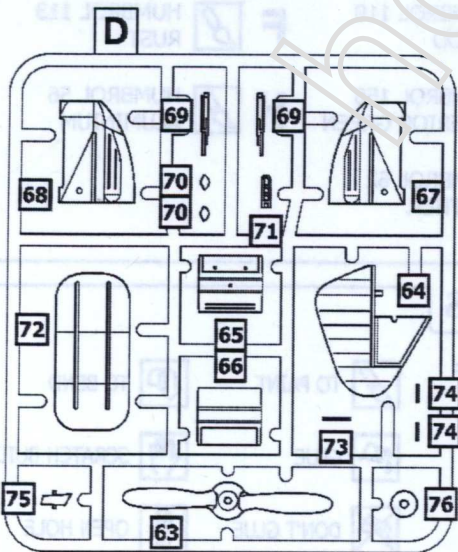
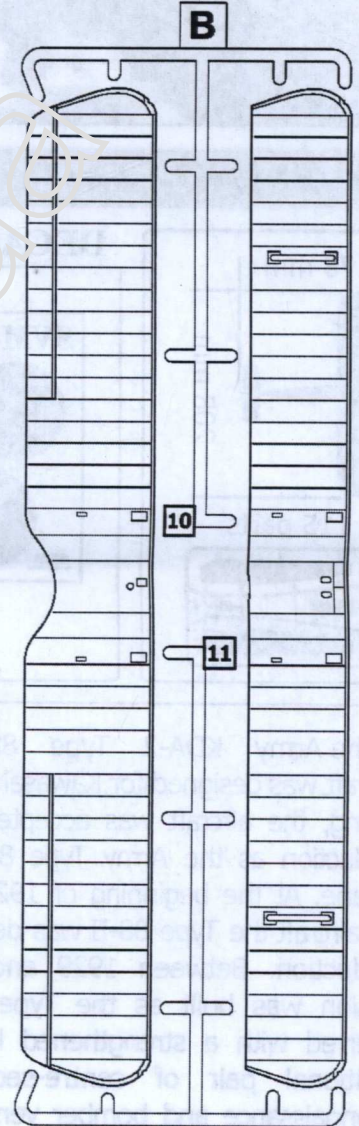
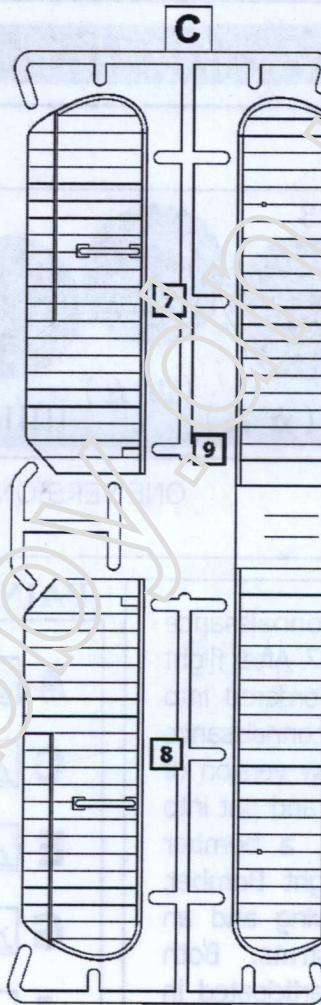
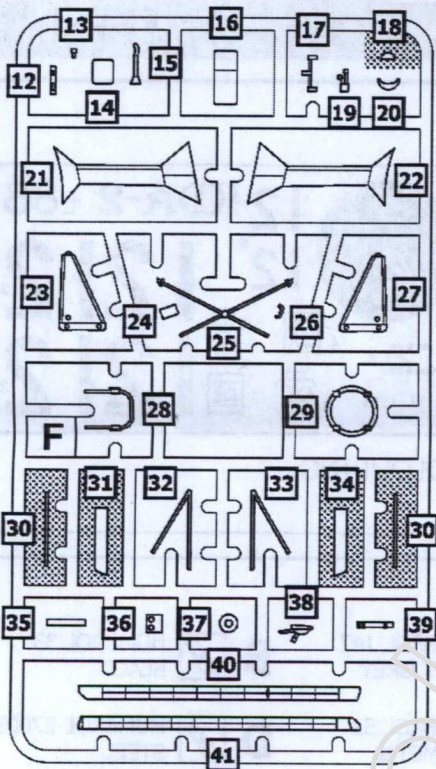
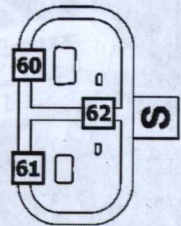
SYMBOLS

- |           |                        |  |                      |  |               |
|-----------|------------------------|--|----------------------|--|---------------|
| <b>1</b>  | STAGES OF ASSEMBLY     |  | TO PAINT             |  | TO BEND       |
| <b>1</b>  | NUMBER PARTS           |  | GLUE                 |  | SCRATCH BUILT |
|           | APPLY DECALS           |  | DON'T GLUE           |  | OPEN HOLE     |
| <b>x2</b> | QUANTITY OF OPERATIONS |  | НА ВИБІР<br>OPTIONAL |  | CAT OUT       |

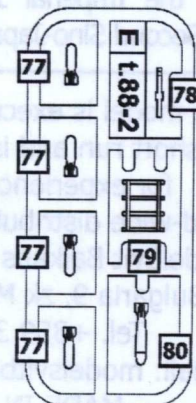
# SET OF THE PARTS



PARTS NOT FOR USE

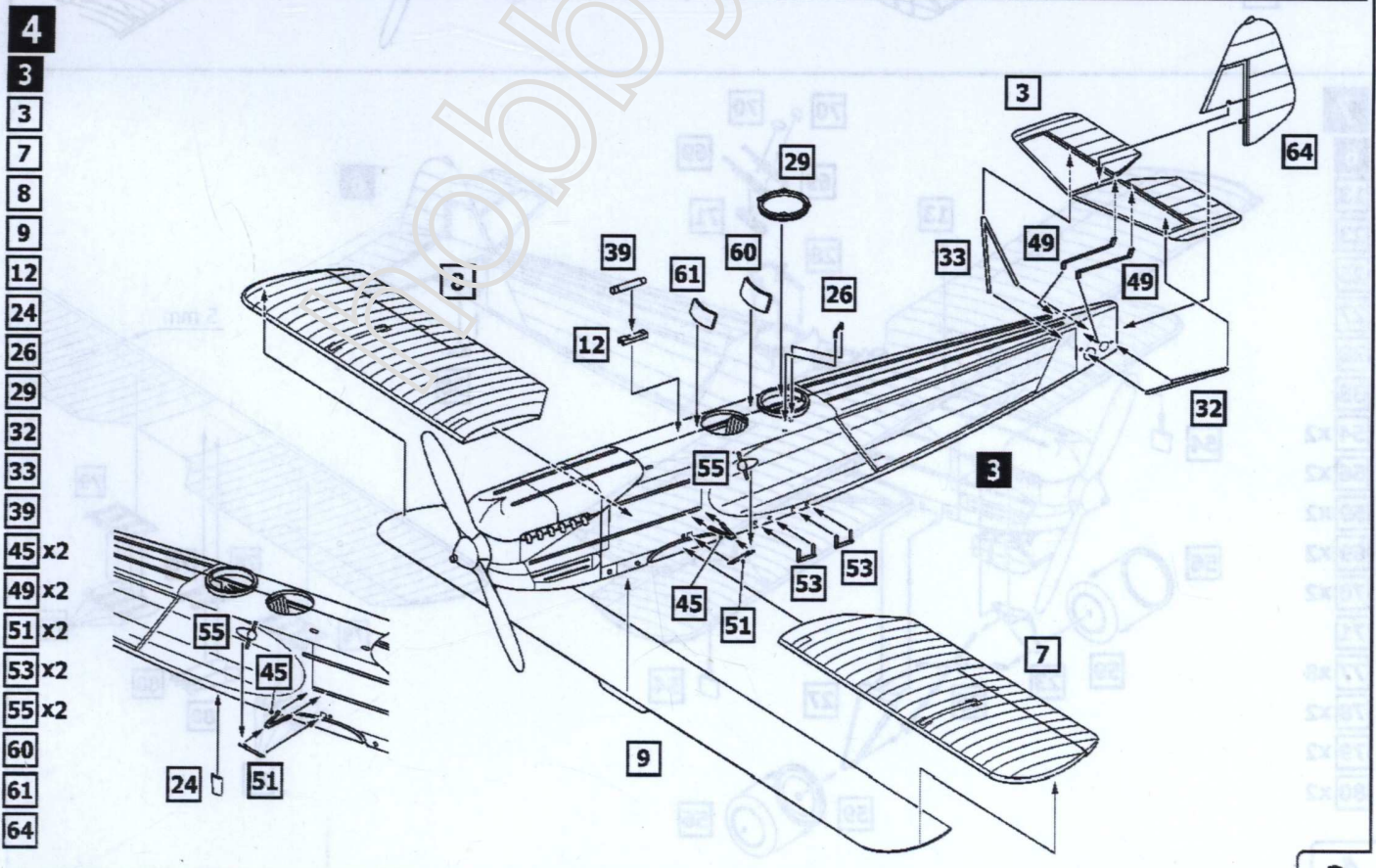
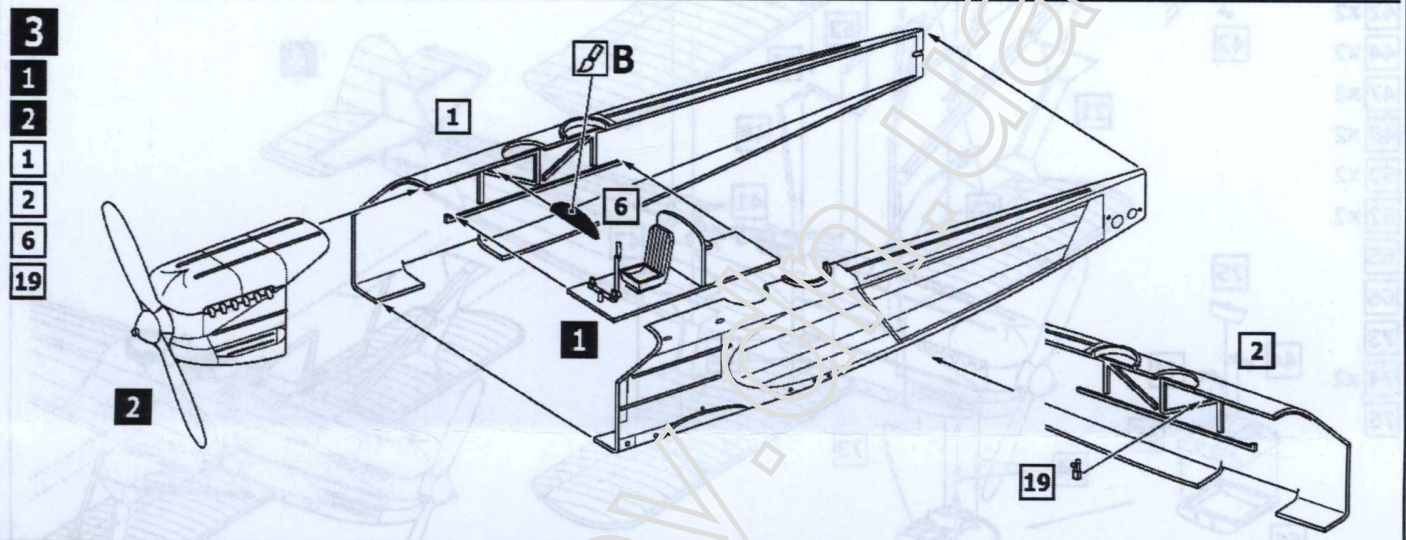
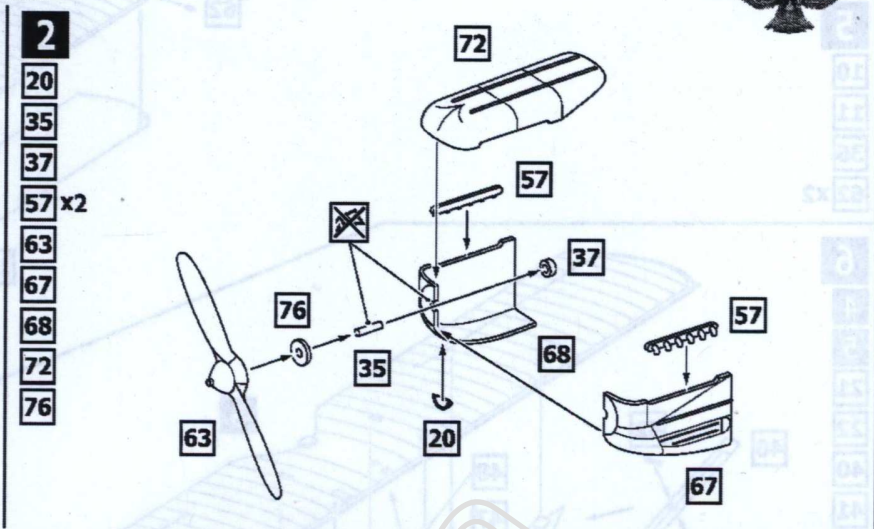
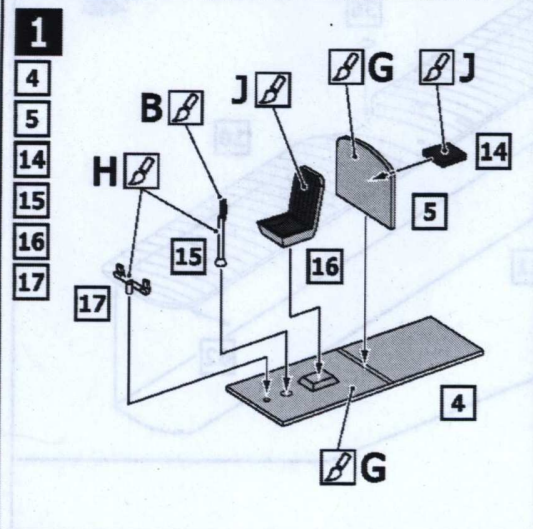


x2



x2

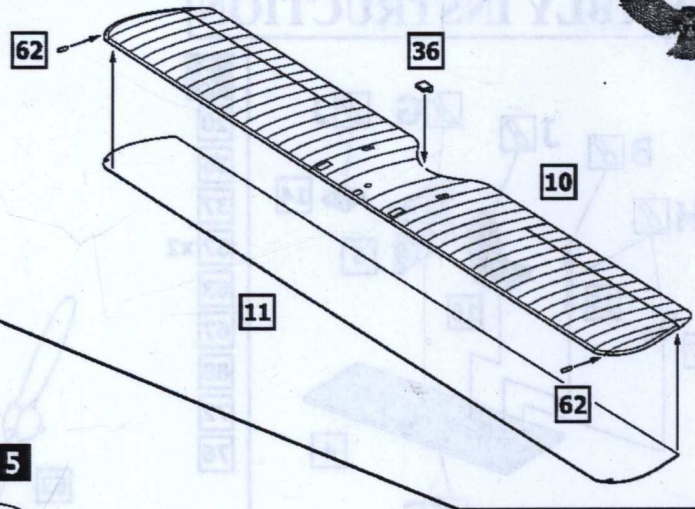
# ASSEMBLY INSTRUCTION



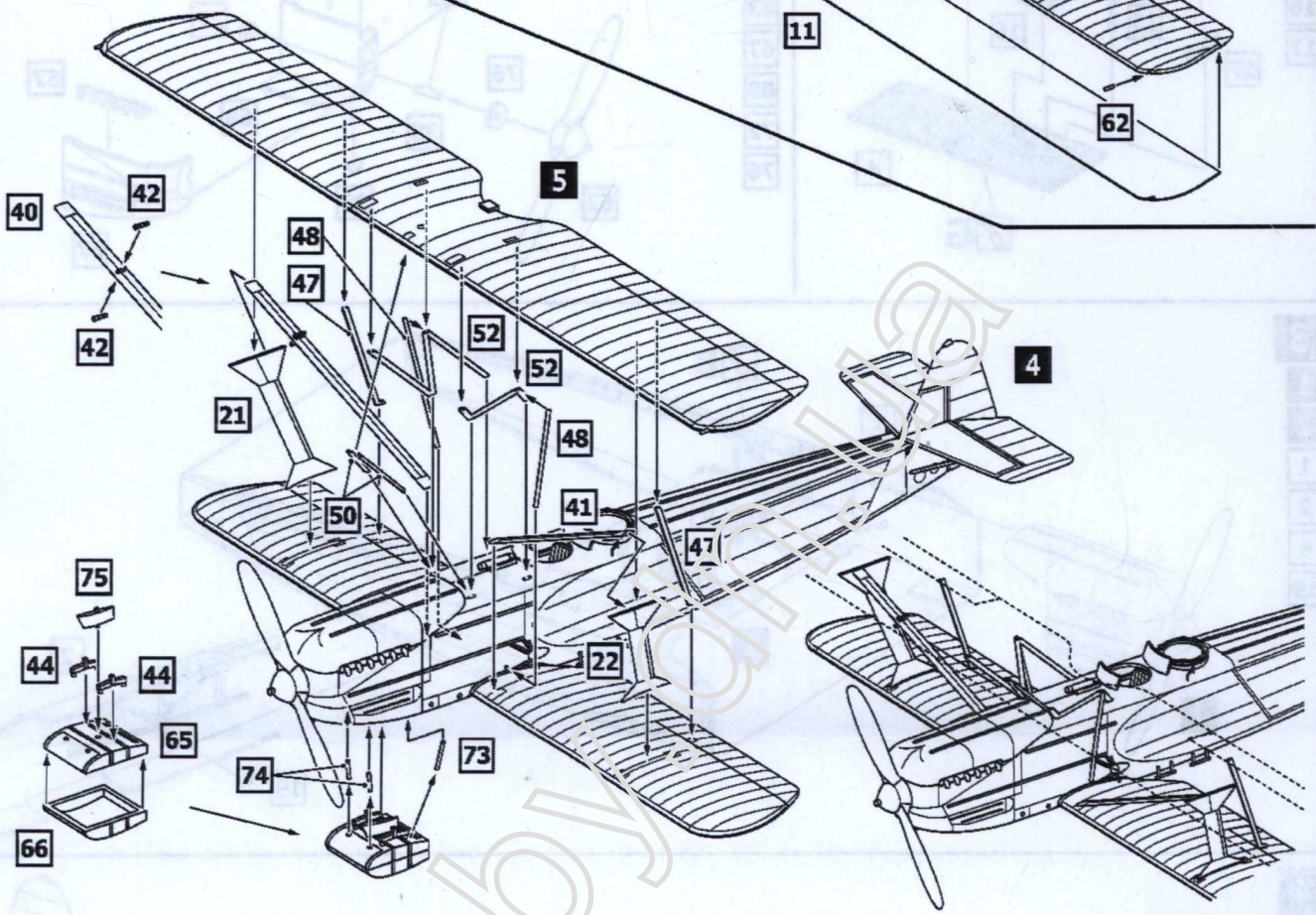
# ASSEMBLY INSTRUCTION



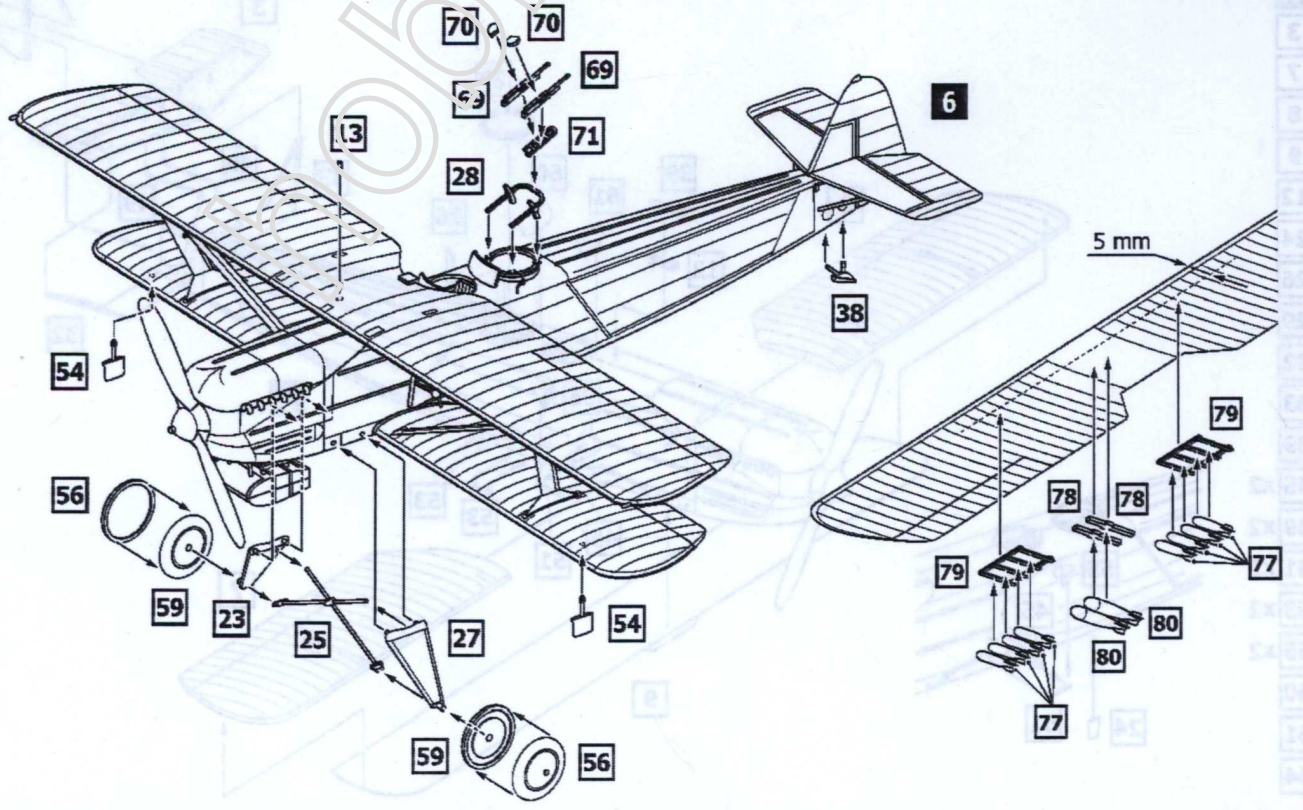
- 5**
- 10
- 11
- 36
- 62 x2



- 6**
- 4
- 5
- 21
- 22
- 40
- 41
- 42 x2
- 44 x2
- 47 x2
- 48 x2
- 50 x2
- 52 x2
- 65
- 66
- 73
- 74 x2
- 75



- 7**
- 6
- 13
- 23
- 25
- 27
- 28
- 38
- 54 x2
- 56 x2
- 59 x2
- 69 x2
- 70 x2
- 71
- 77 x8
- 78 x2
- 79 x2
- 80 x2



# MARKING & PAINTING

Kawasaki KDA-2 Type 88-II

