

LIMITED EDITION

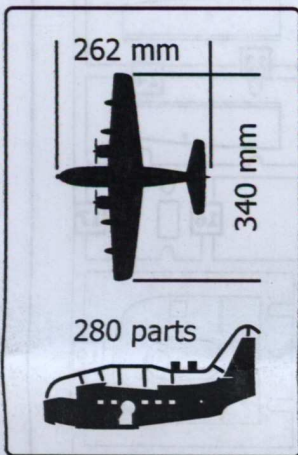
SOVA-M
SVM-72024

SA-16A Albatross



UNASSEMBLED PLASTIC MODEL KITS

SCALE:1/72



DECALS

ONE VERSION
OF COLOURING



First prototype of amphibian airplane rose into the air in October 1947. Good speed characteristics were ensured by two ten-cylinder engines F-1820-76A, 1425 h.p. each. After the test program, US Navy has adopted new hydroplan for armament. First serial amphibians were produced by Grumman company in June 1949 in SA-16 A version (Search Amphibian). In January 1956 new version SA-16B was built with the larger wing-span. Hydroplanes were actively used during the Korean war and in Vietnam. After long patrolling, additional fuselage tank and two suspended vessels under the wing were installed – this allowed to prolong the flight, total duration being 12-14 hours. In Korea and in Vietnam crews of amphibians managed to save lives of 229 pilots. In total 464 aircraft were built in various modifications.

The model is executed on technology short run and is intended only for experienced modelers.

Word-wide distributor for Sova-M kits:
ModelSvit Balkans Ltd. 4003 Plovdiv,
Bulgaria 9, zK Maritza Gardens.
Tel. +359 32 397 069,
E-Mail: modelsvitbalkans@gmail.com
MADE IN UKRAINE

PAINTS

- | | |
|--|----------------------------------|
| A HUMBROL 34
WHITE | B HUMBROL 18
ORANGE |
| C HUMBROL 141
LIGHT SEA GREY | D HUMBROL 56
ALUMINIUM |
| E HUMBROL 85
COAL BLACK | F HUMBROL 19
RED |
| G HUMBROL 182
RUBBER | H HUMBROL 33
BLACK |
| I HUMBROL 145
MEDIUM GREY | |

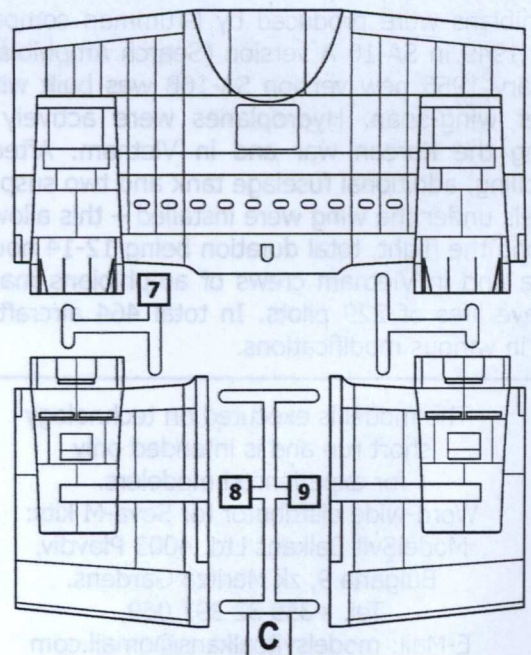
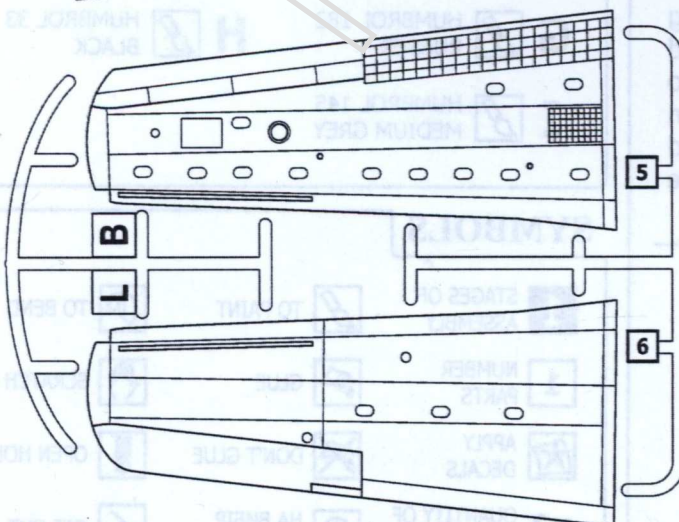
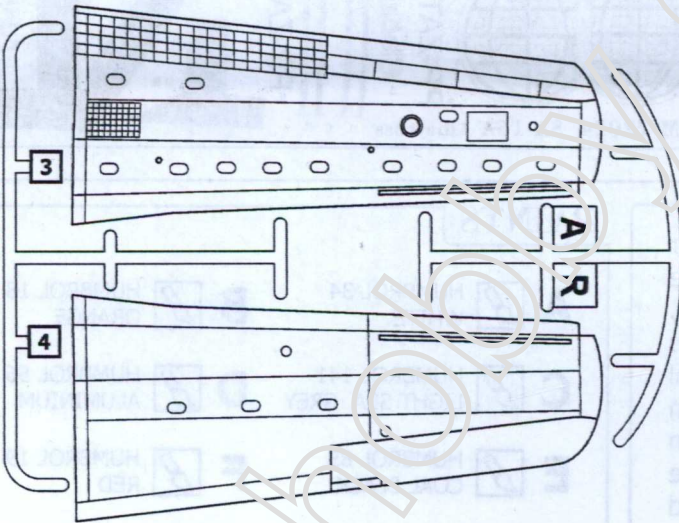
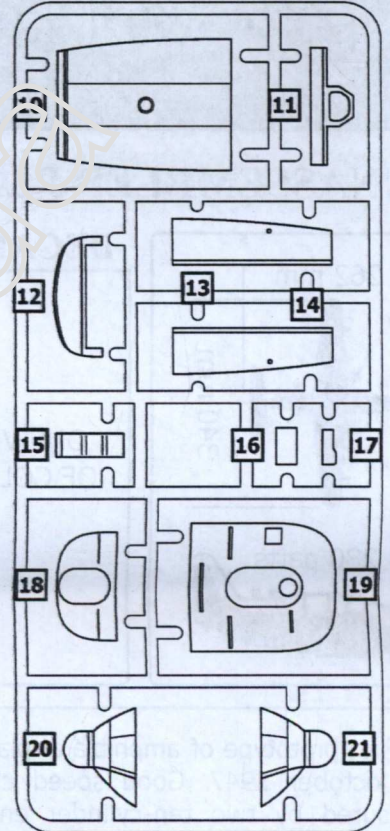
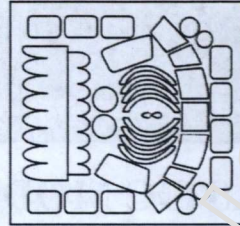
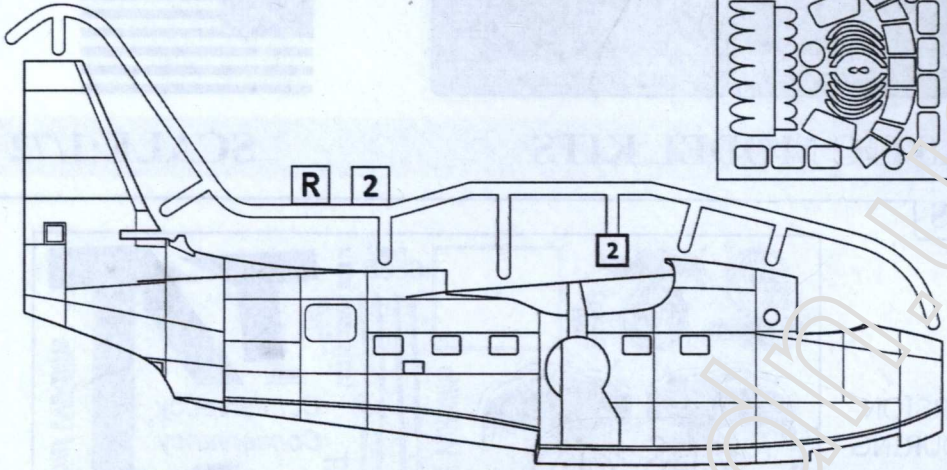
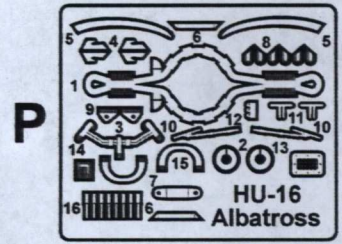
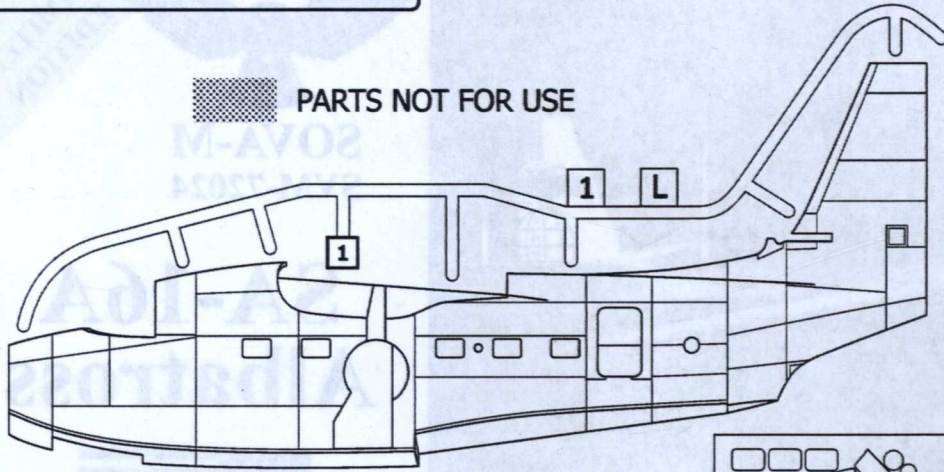
SYMBOLS

- | | | |
|----------------------------------|----------------------|---------------|
| 1 STAGES OF ASSEMBLY | TO PAINT | TO BEND |
| 1 NUMBER PARTS | GLUE | SCRATCH BUILT |
| APPLY DECALS | DON'T GLUE | OPEN HOLE |
| x2 QUANTITY OF OPERATIONS | НА ВИБІР
OPTIONAL | CAT OUT |

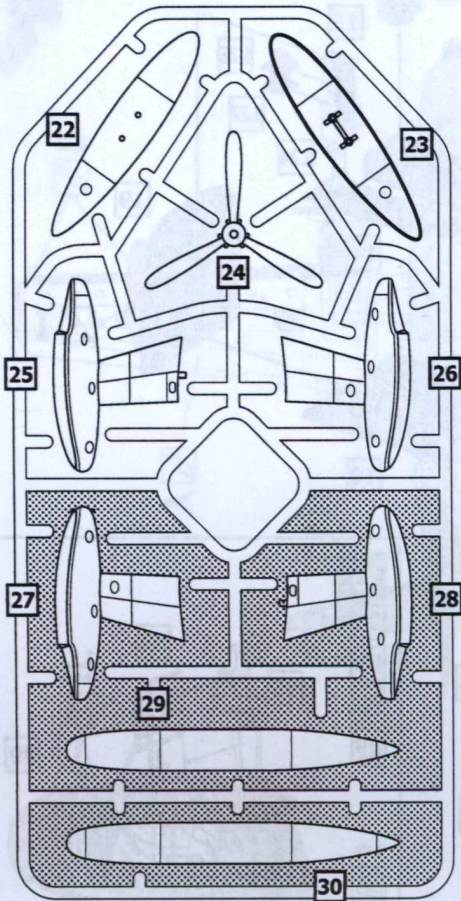
SET OF THE PARTS



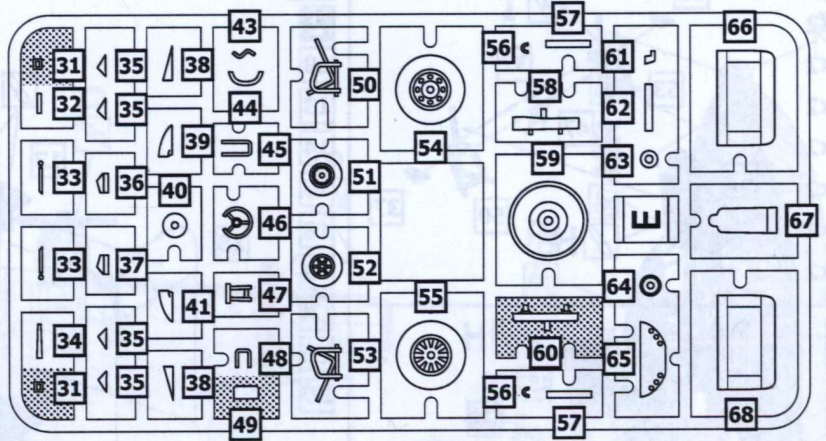
 PARTS NOT FOR USE



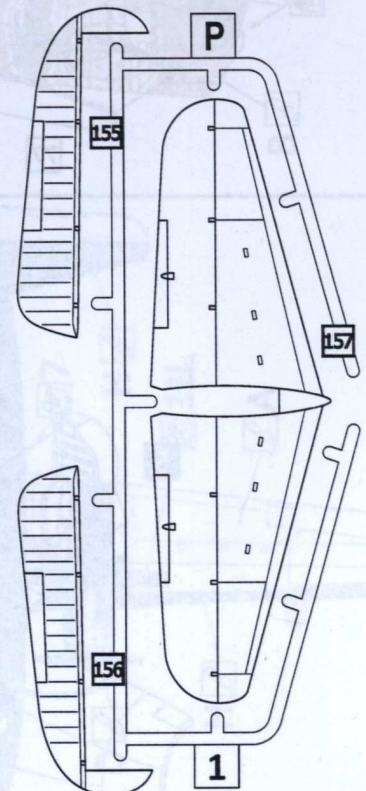
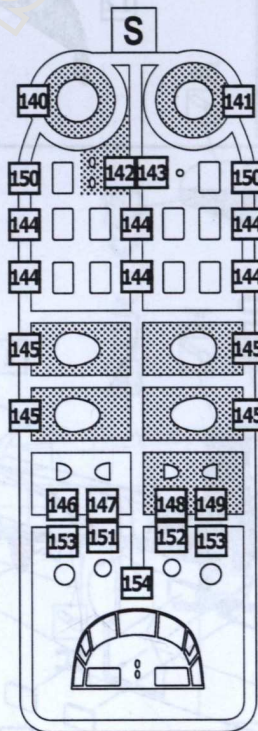
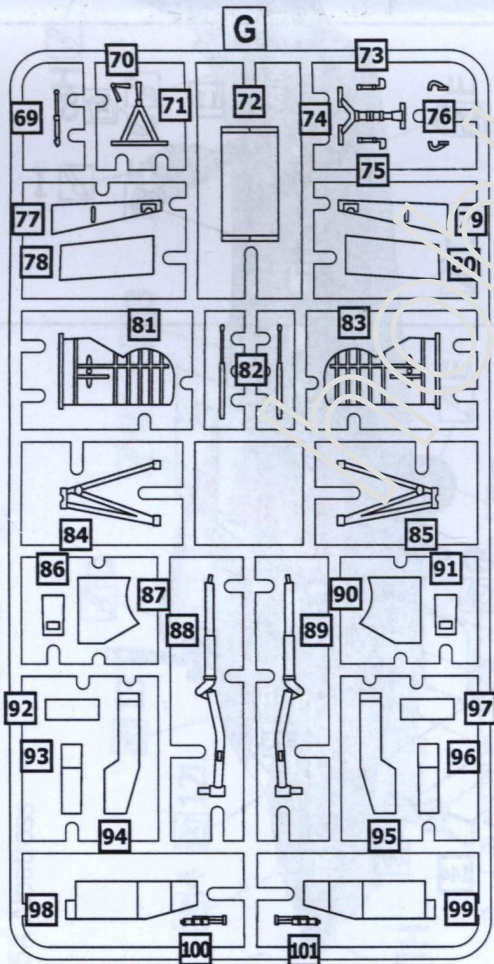
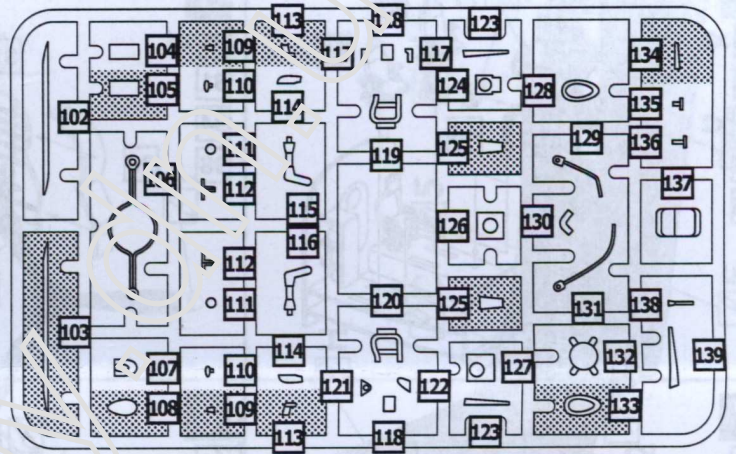
SET OF THE PARTS



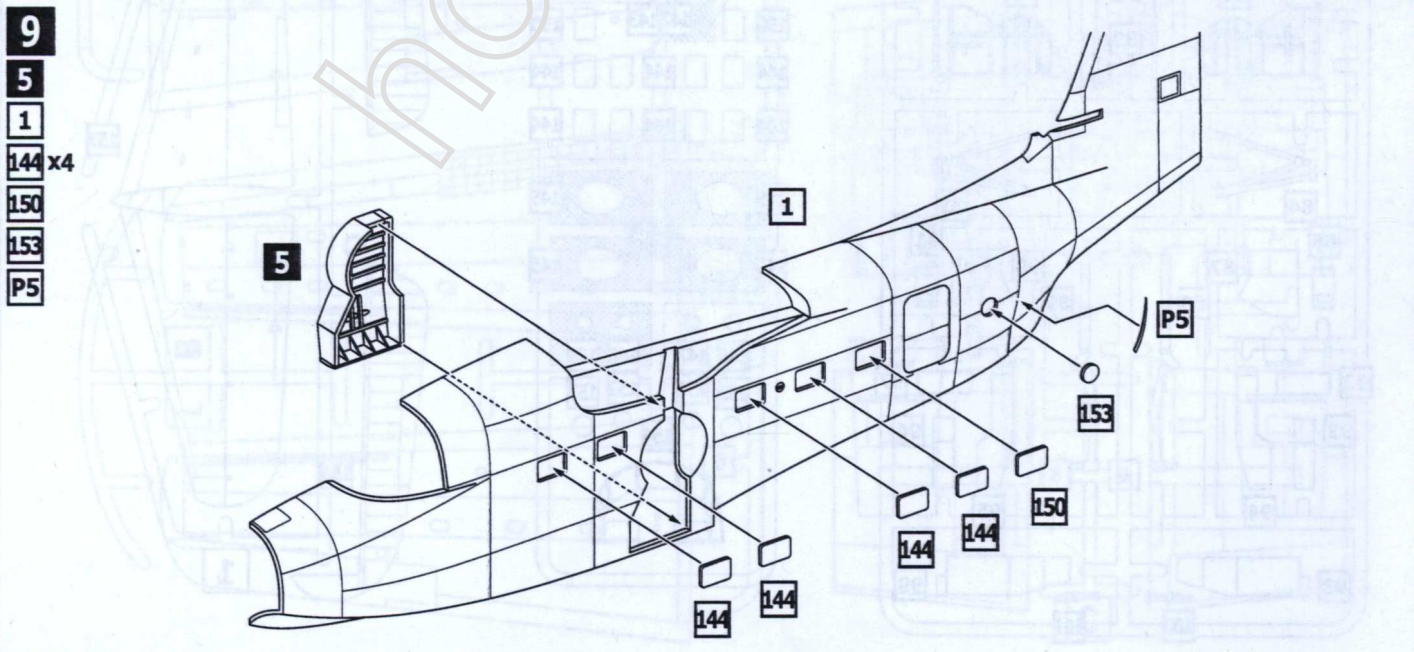
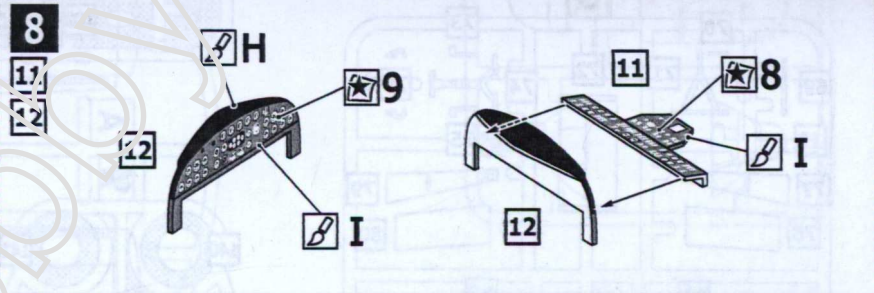
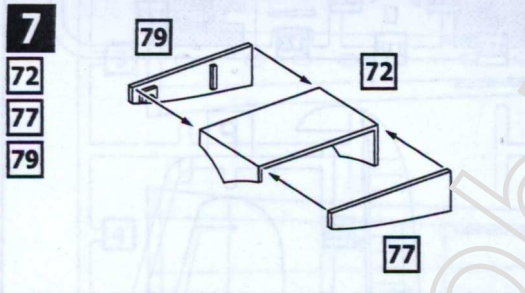
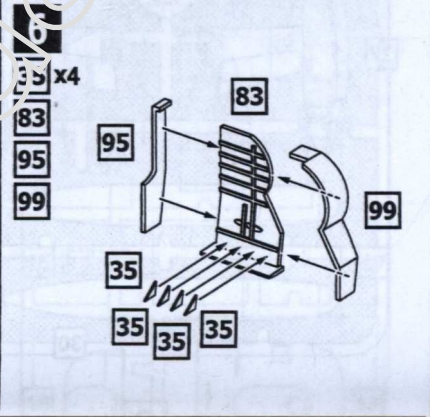
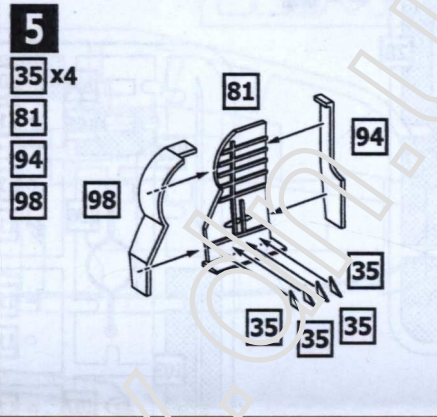
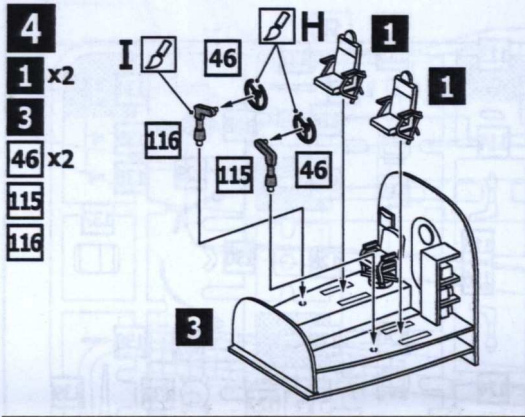
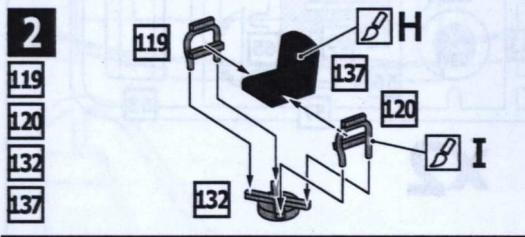
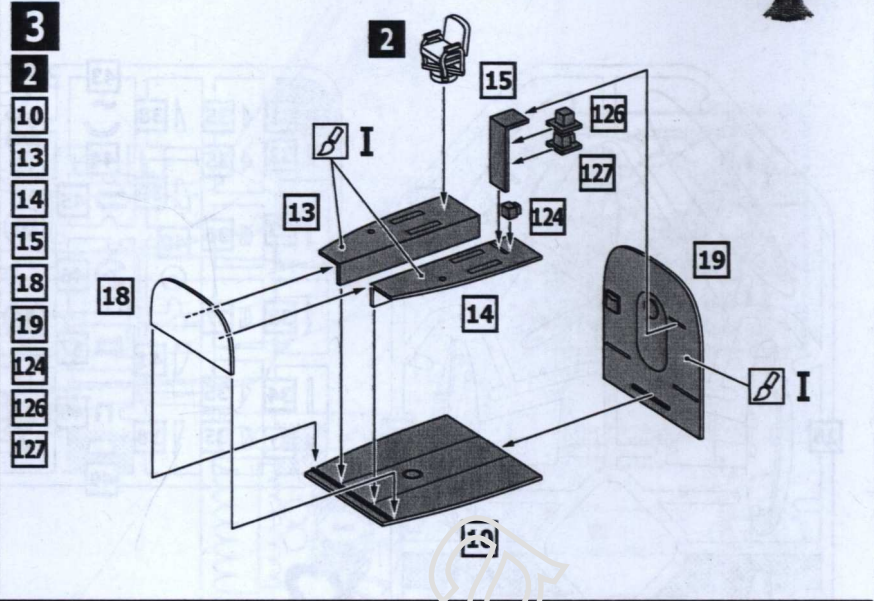
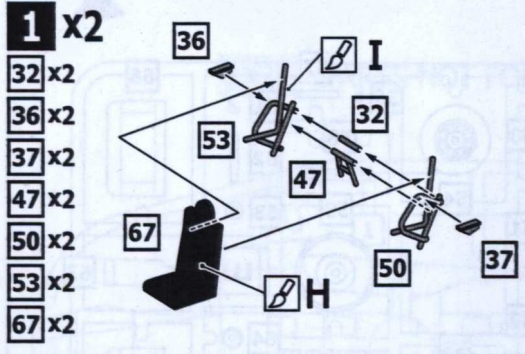
x2



x2



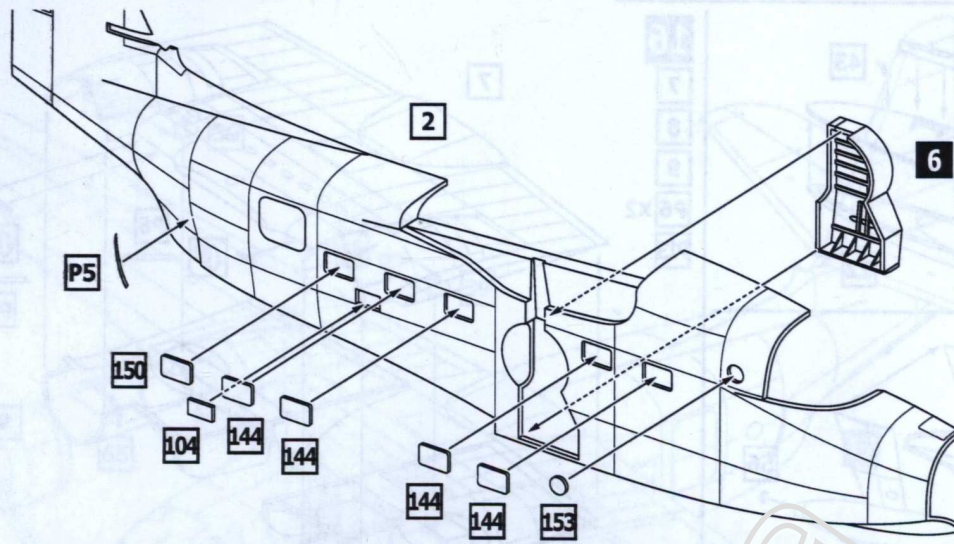
ASSEMBLY INSTRUCTION



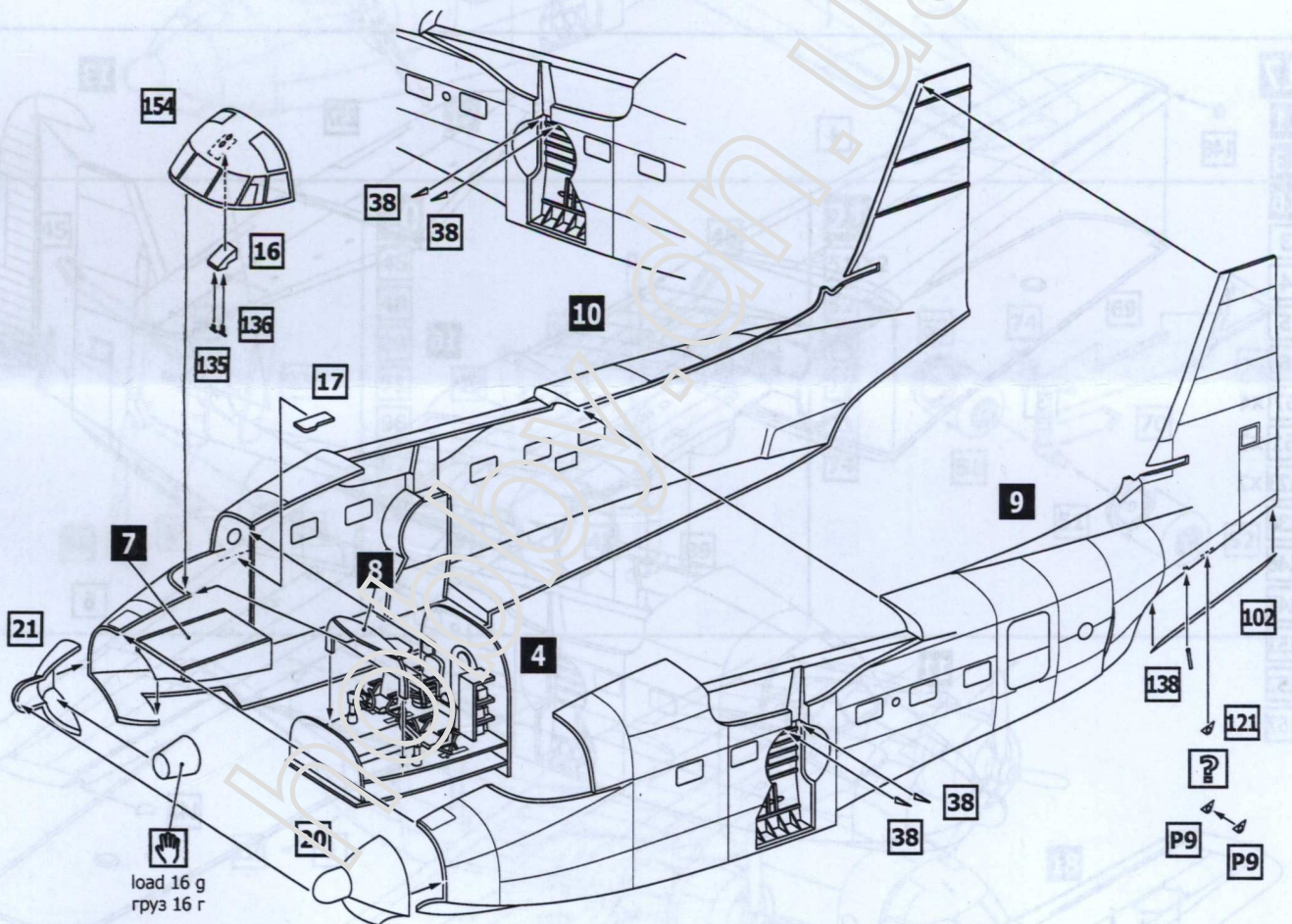
ASSEMBLY INSTRUCTION



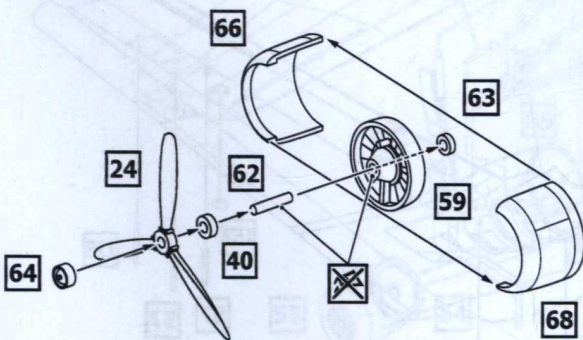
- 10**
- 6**
- 2**
- 104**
- 144 x4**
- 150**
- 153**
- P5**



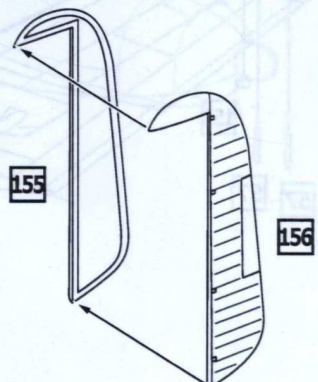
- 11**
- 4**
- 7**
- 8**
- 9**
- 10**
- 16**
- 17**
- 20**
- 21**
- 38 x4**
- 102**
- 121**
- 135**
- 136**
- 138**
- 154**
- P9 x2**



- 12 x2**
- 24 x2**
- 40 x2**
- 59 x2**
- 62 x2**
- 63 x2**
- 64 x2**
- 66 x2**
- 68 x2**



- 13**
- 155**
- 156**



ASSEMBLY INSTRUCTION



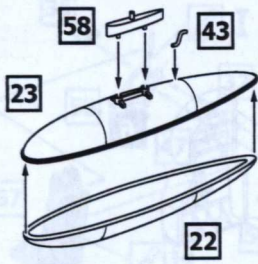
14 x2

22 x2

23 x2

43 x2

58 x2



16

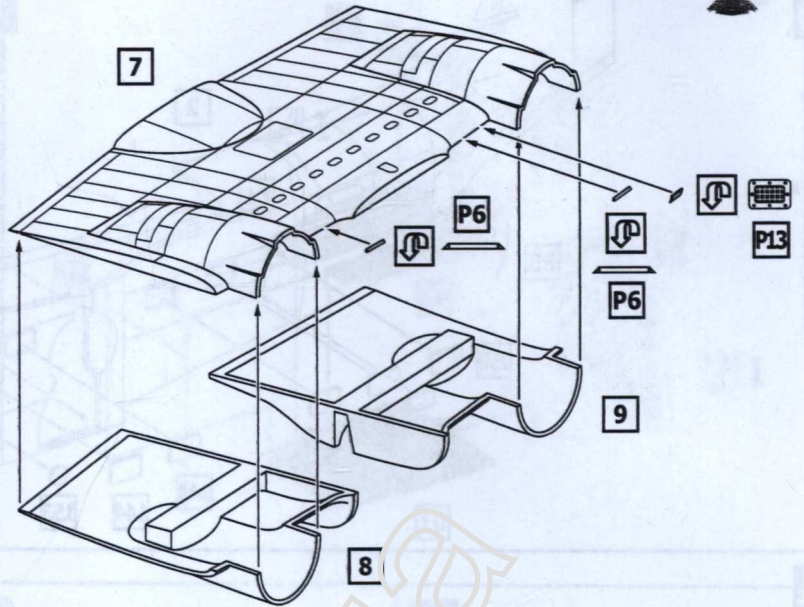
7

8

9

P6 x2

P13

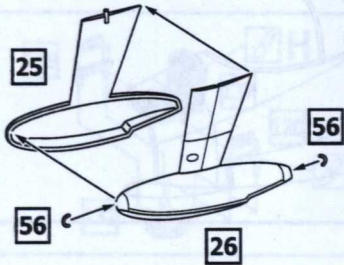


15 x2

25 x2

26 x2

56 x4



17

11

13

16

3

4

5

6

57 x4

61 x2

123 x2

130

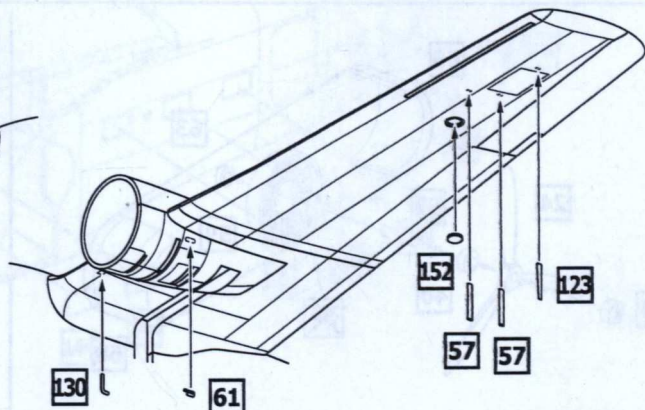
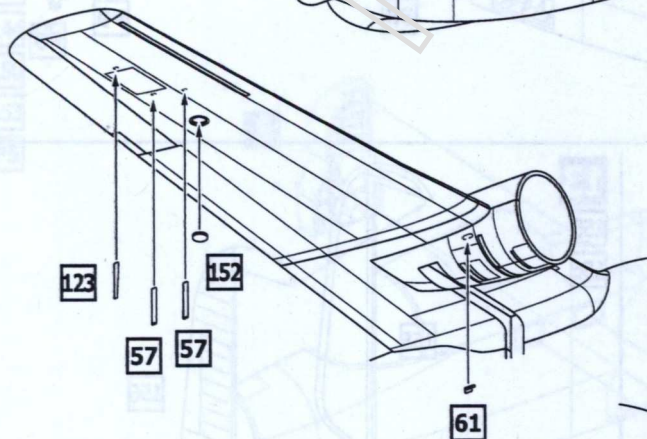
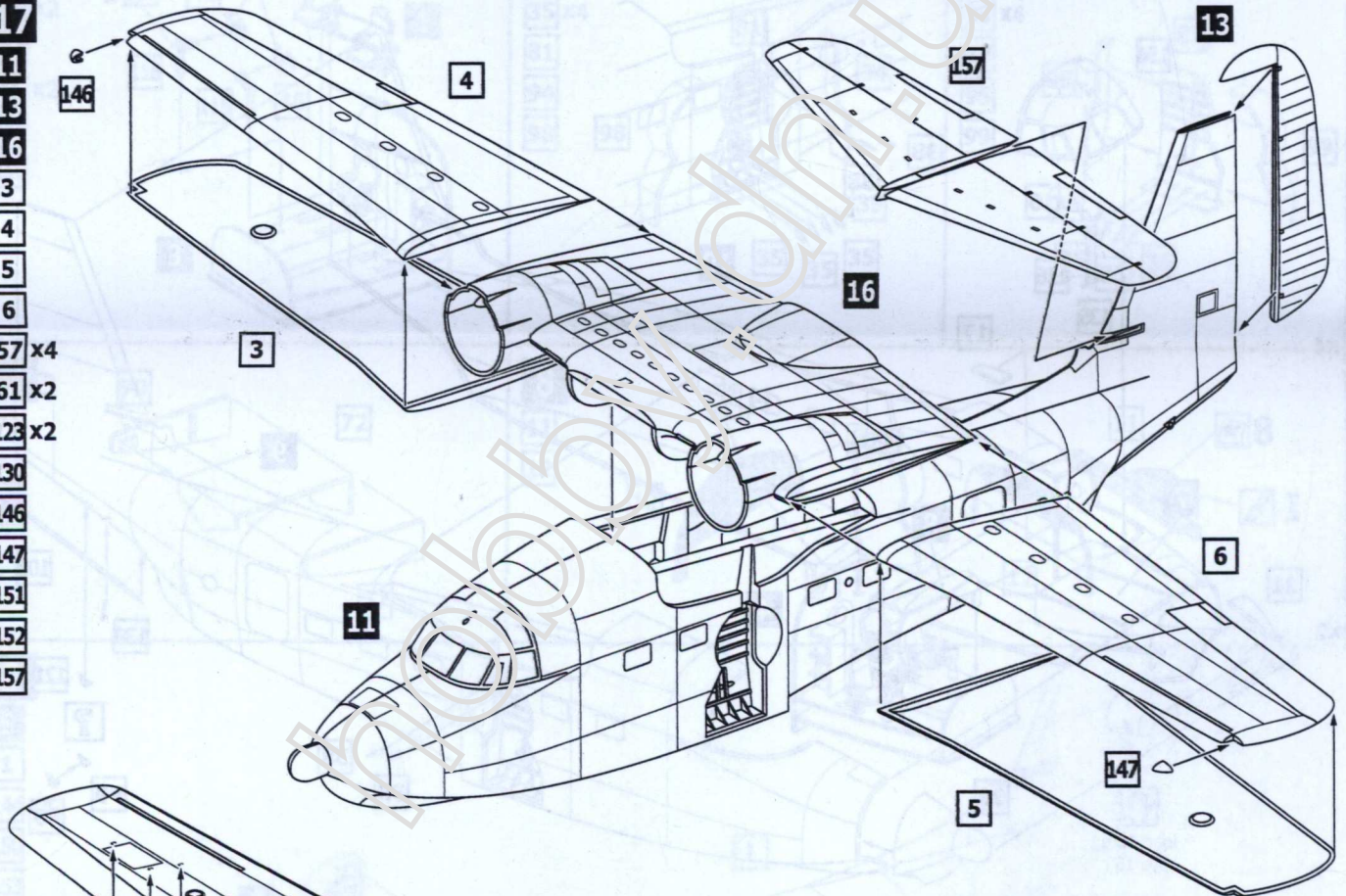
146

147

151

152

157



ASSEMBLY INSTRUCTION



18

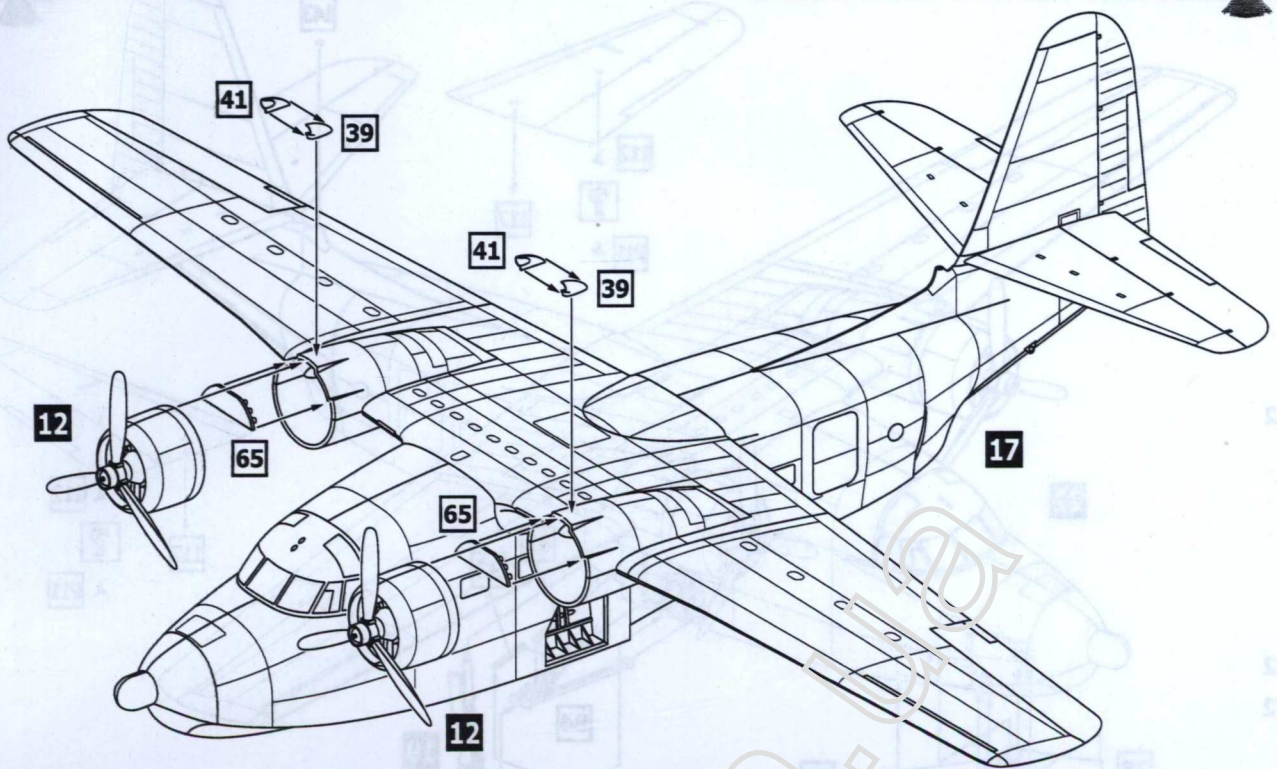
12 x2

17

39 x2

41 x2

65 x2



19

45

48

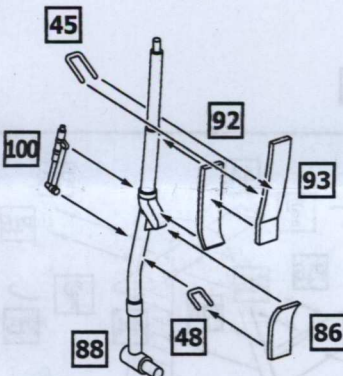
86

88

92

93

100



20

45

48

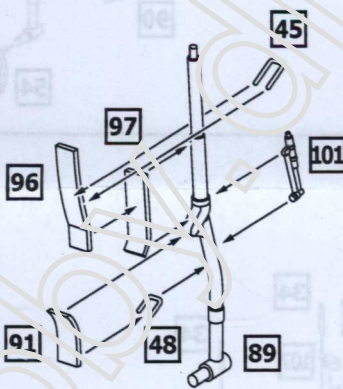
89

91

96

97

101



21

51 x2

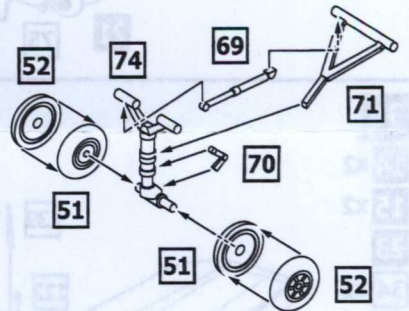
52 x2

69

70

71

74



22

18

20

33

54

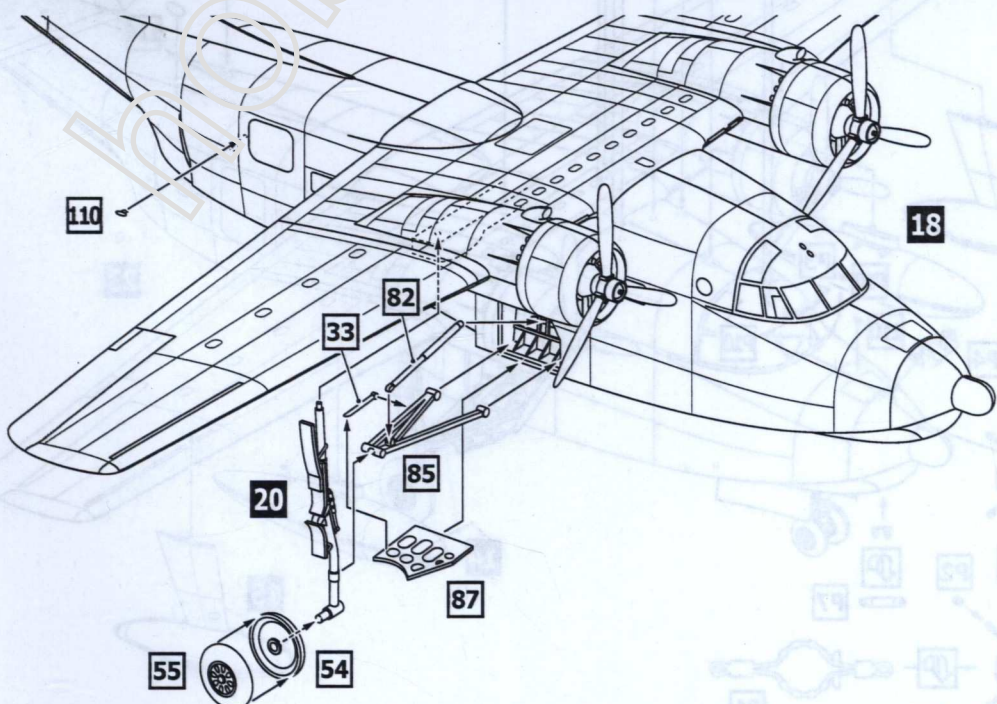
55

82

85

87

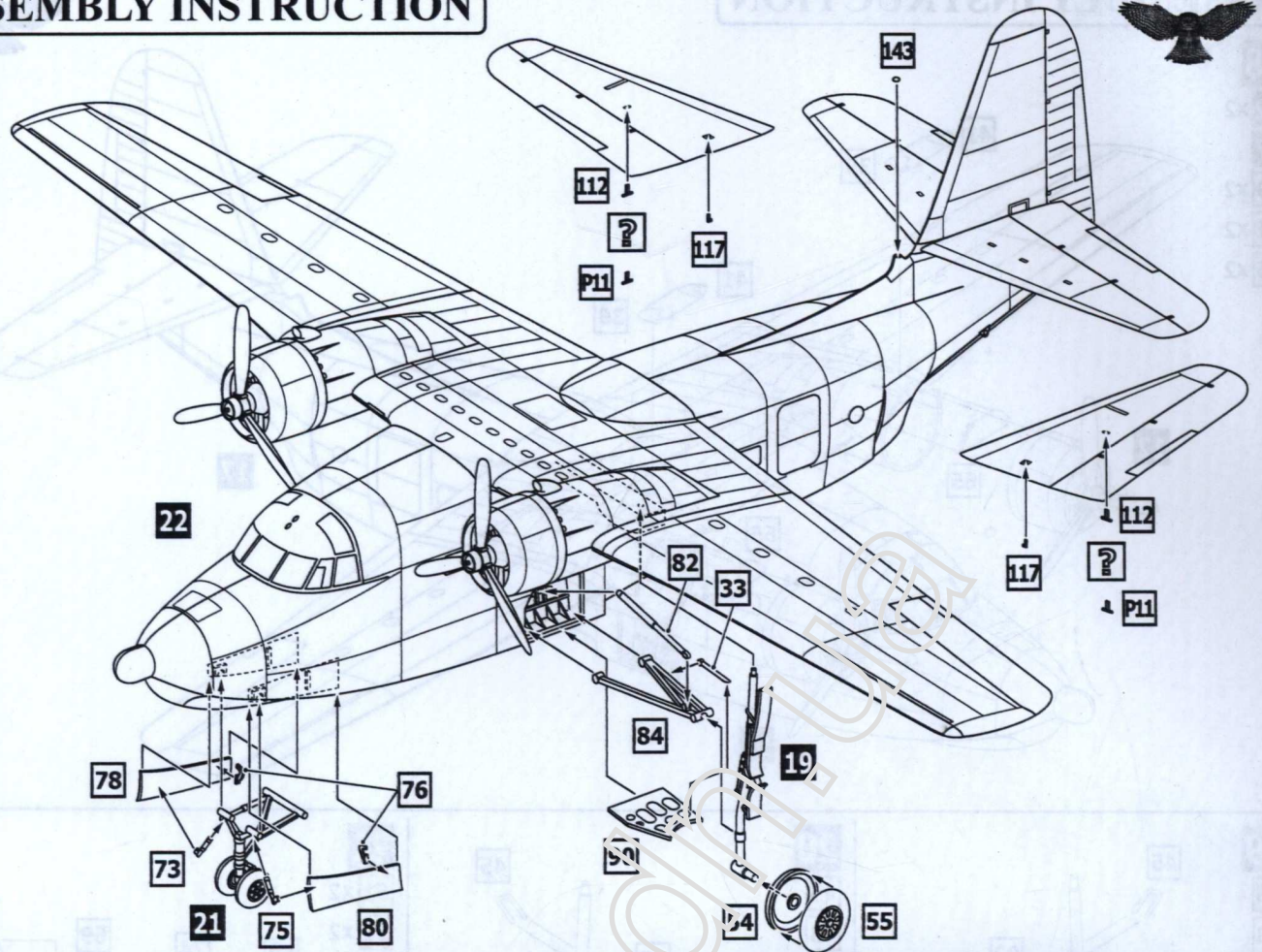
110



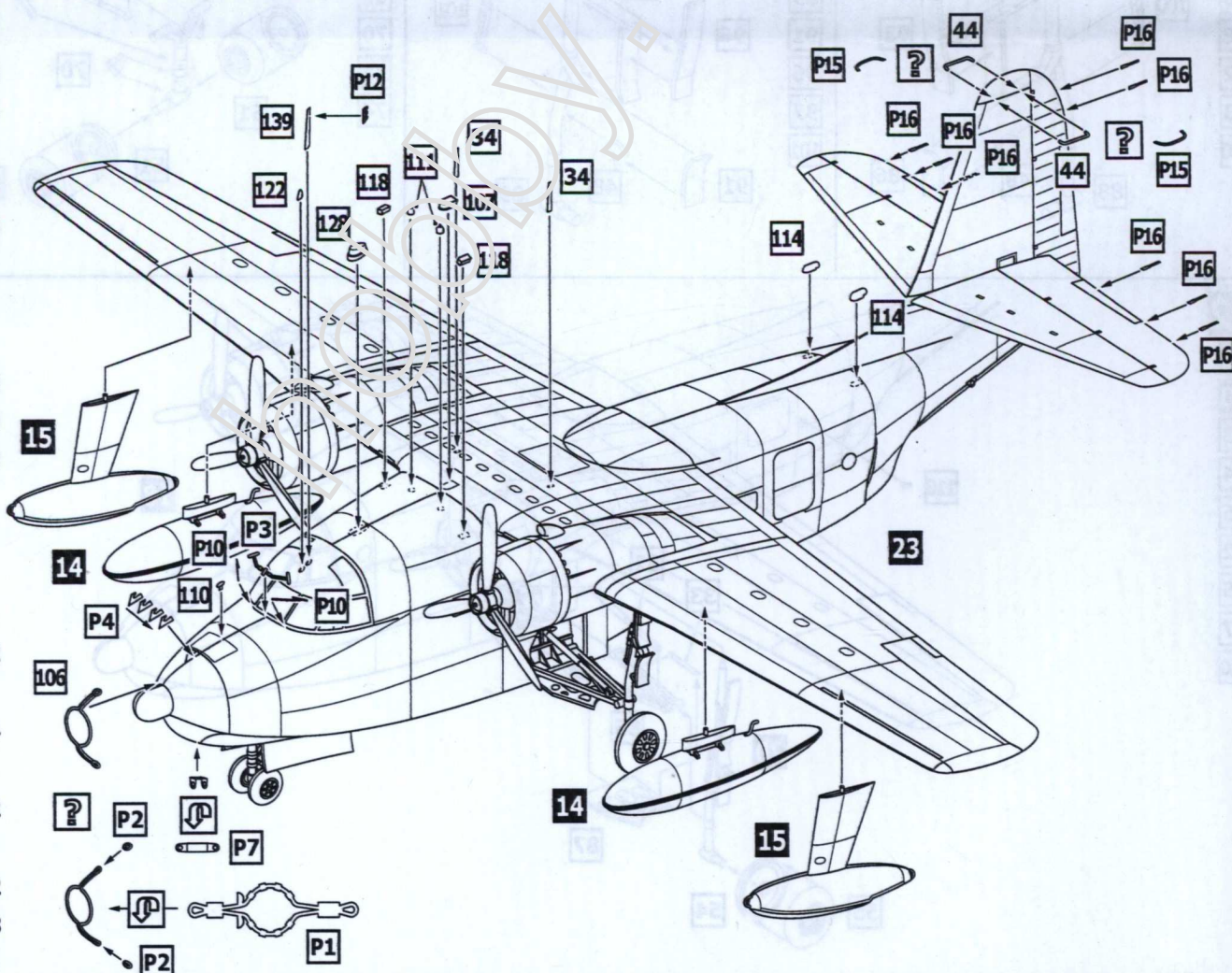
ASSEMBLY INSTRUCTION



- 23**
- 19**
- 21**
- 22**
- 33**
- 54**
- 55**
- 73**
- 75**
- 76** x2
- 78**
- 80**
- 82**
- 84**
- 90**
- 112** x2
- 117** x2
- 143**
- P11** x2



- 24**
- 14** x2
- 15** x2
- 23**
- 34** x2
- 44** x2
- 106**
- 107**
- 110**
- 111** x2
- 114** x2
- 118** x2
- 122**
- 128**
- 139**
- P1**
- P2** x2
- P3**
- P4** x4
- P7**
- P10** x2
- P12**
- P15** x2
- P16** x8



MARKING & PAINTING

SA-16A Albatross

