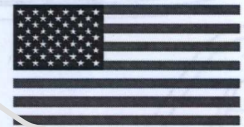




LIMITED EDITION

SOVA-M
SVM-72026

SHU-16B Albatross



UNASSEMBLED PLASTIC MODEL KITS

SCALE:1/72

266 mm



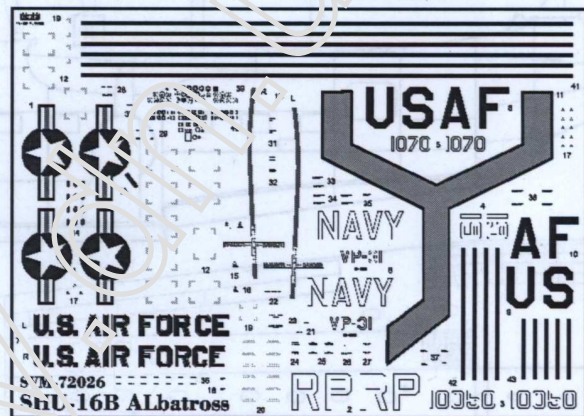
412 mm

288 parts



DECALS

TWO VERSION
OF COLOURING



PAINTS

- | | | | | | |
|----------|--|-----------------------------|----------|--|----------------------------|
| A | | HUMBROL 34
WHITE | B | | HUMBROL 11
SILVER |
| C | | HUMBROL 129
US GULL GREY | D | | HUMBROL 145
MEDIUM GREY |
| E | | HUMBROL 33
BLACK | F | | HUMBROL 19
RED |
| G | | HUMBROL 182
RUBBER | H | | HUMBROL 145
MEDIUM GREY |

First prototype of amphibian airplane rose into the air in October 1947. Good speed characteristics were ensured by two ten-cylinder engines R-1820-76A, 1425 h.p. each. After the test program, US Navy has adopted new hydroplan for armament. First serial amphibians were produced by Grumman company in June 1949 in SA-16A version (Search Amphibian). In January 1956 new version SA-16B was built with the larger wing-span. Hydroplanes were actively used during the Korean war and in Vietnam. After long patrolling, additional fuselage tank and two suspended vessels under the wing were installed – this allowed to prolong the flight, total duration being 12-14 hours. In Korea and in Vietnam crews of amphibians managed to save lives of 229 pilots. In total 464 aircraft were built in various modifications.

The model is executed on technology short run and is intended only for experienced modelers.

World-wide distributor for Sova-M kits:
ModelSvit Balkans Ltd. 4003 Plovdiv,
Bulgaria 9, zk Maritza Gardens.
Tel. +359 32 397 069,
E-Mail: modelsvitbalkans@gmail.com
MADE IN UKRAINE

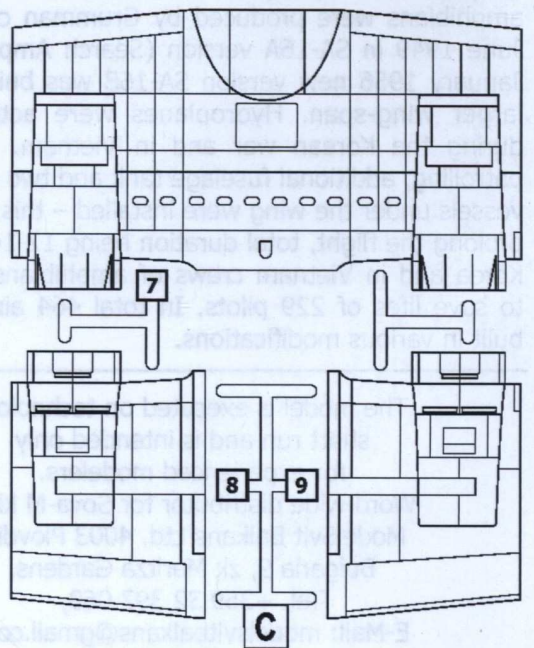
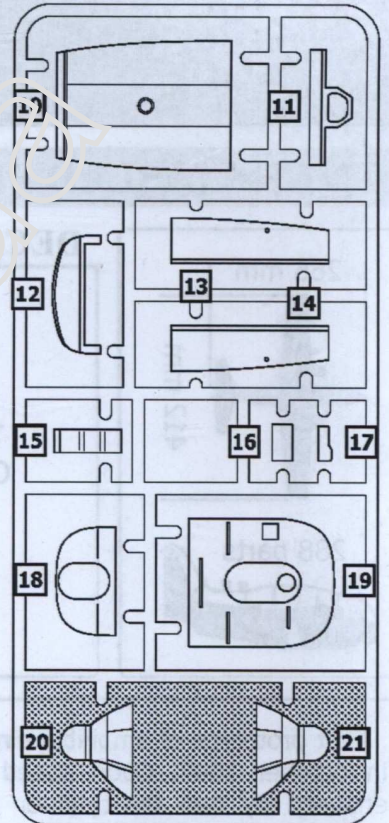
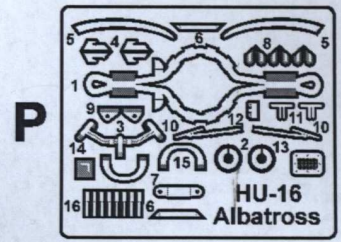
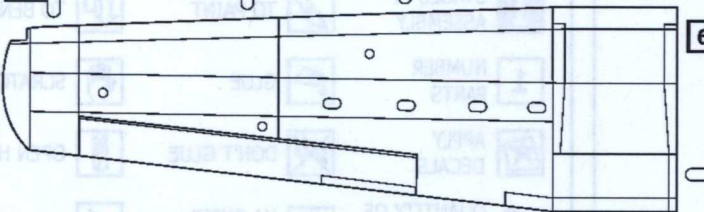
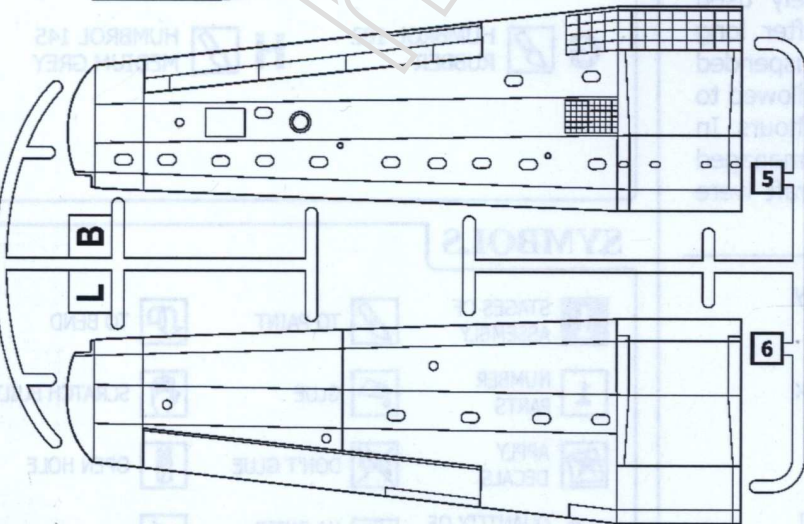
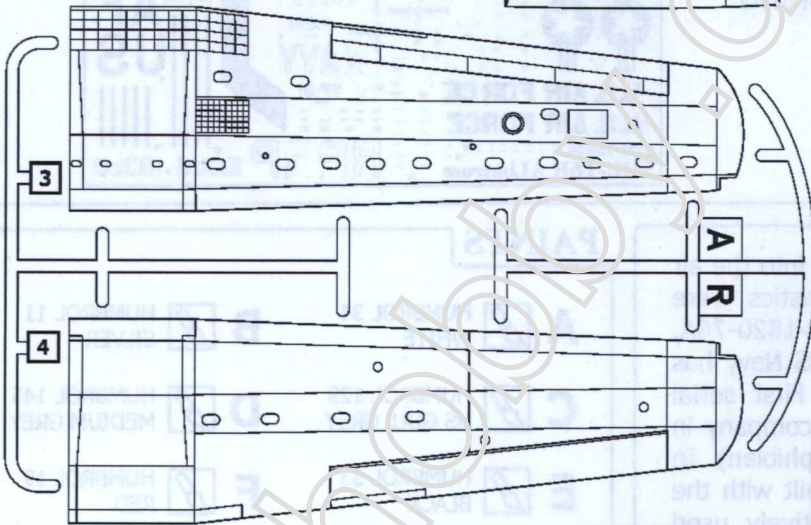
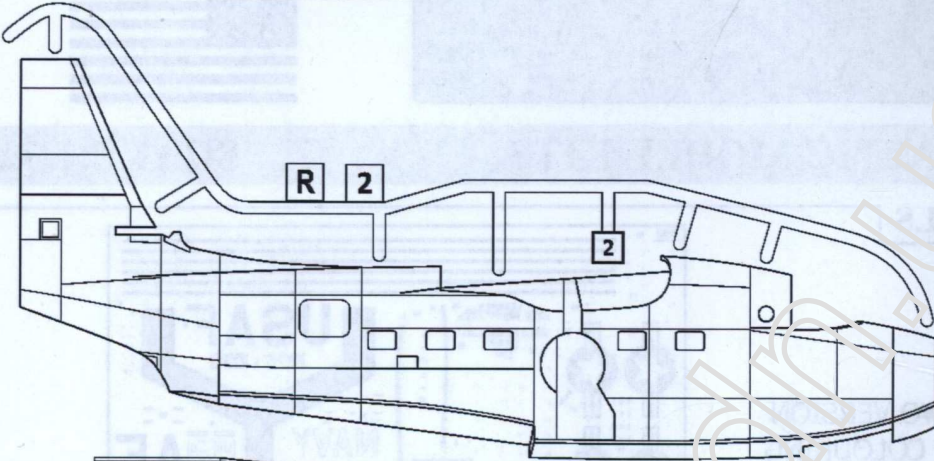
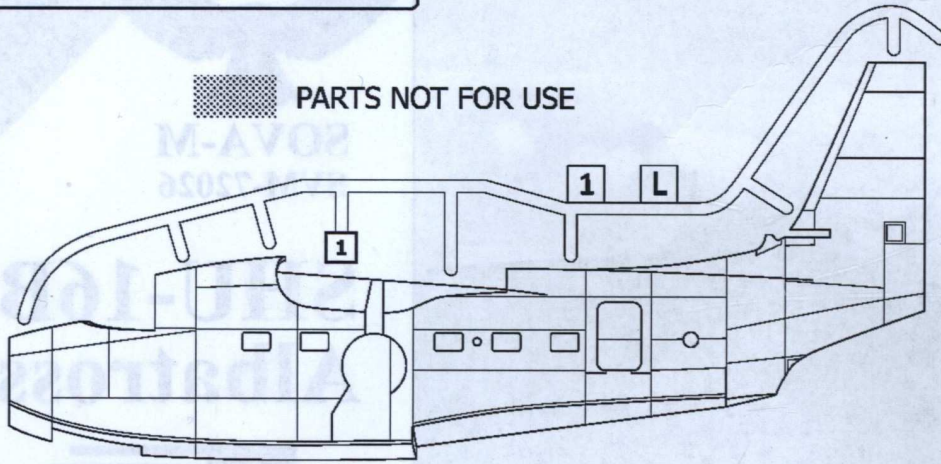
SYMBOLS

- | | | | | |
|----------------------------------|--|----------------------|--|---------------|
| 1 STAGES OF ASSEMBLY | | TO PAINT | | TO BEND |
| 1 NUMBER PARTS | | GLUE | | SCRATCH BUILT |
| APPLY DECALS | | DON'T GLUE | | OPEN HOLE |
| x2 QUANTITY OF OPERATIONS | | НА ВИБІР
OPTIONAL | | CAT OUT |

SET OF THE PARTS



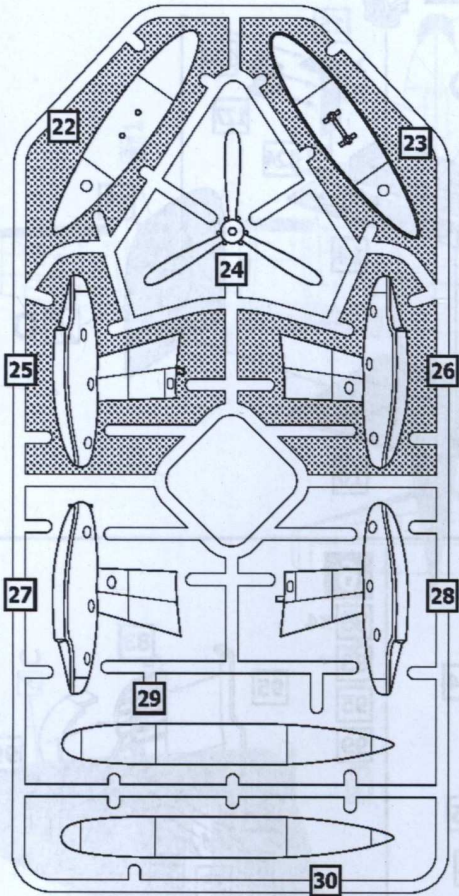
 PARTS NOT FOR USE



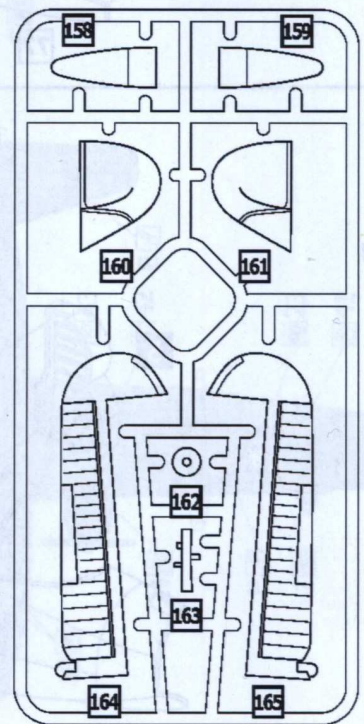
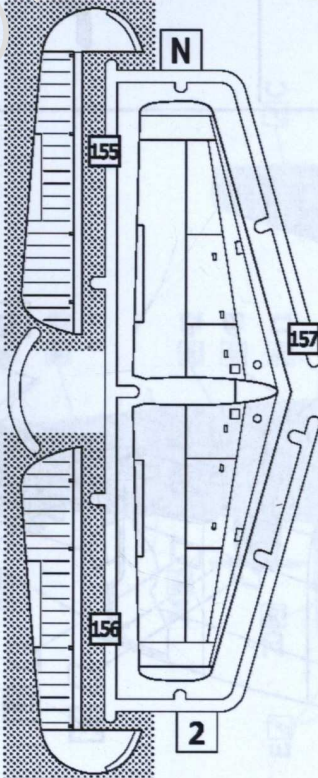
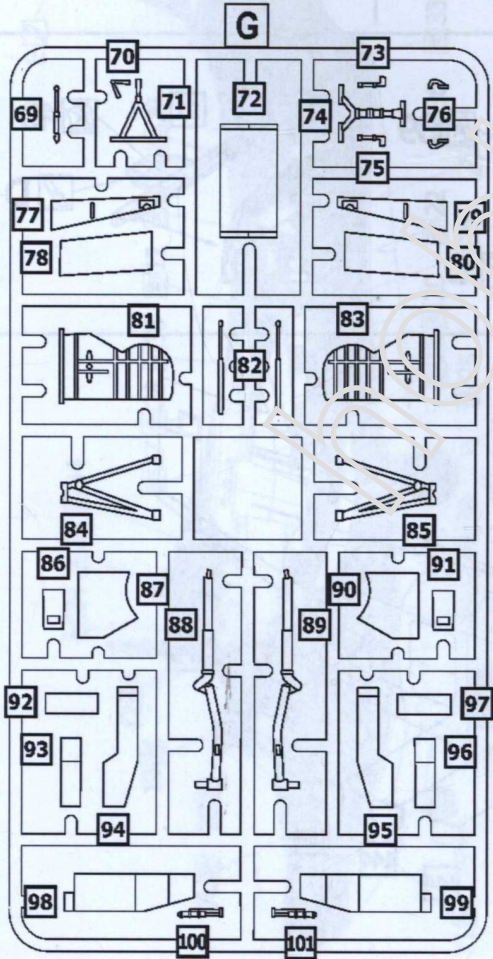
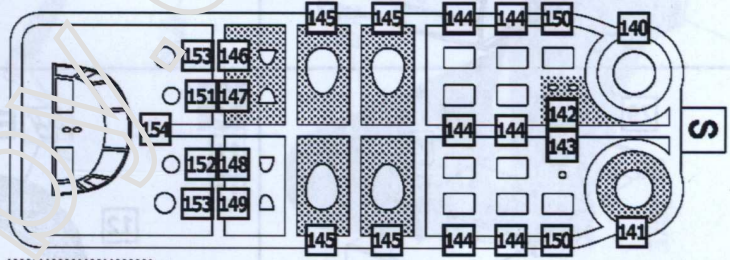
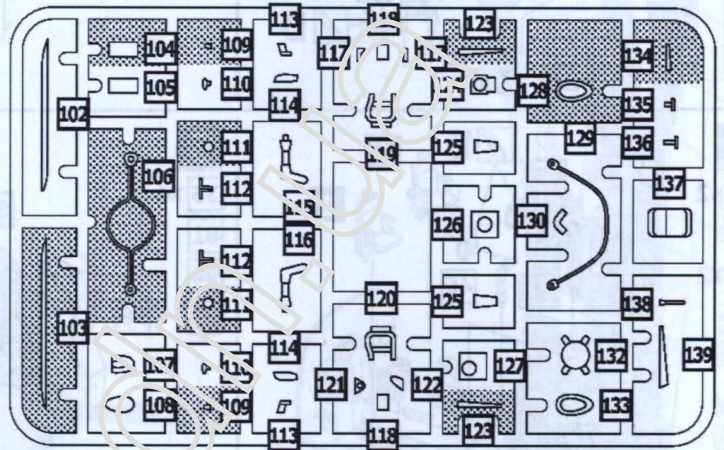
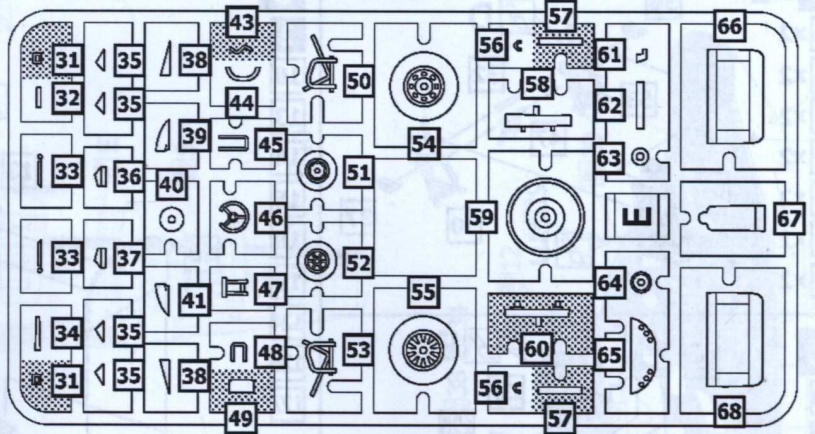
SET OF THE PARTS



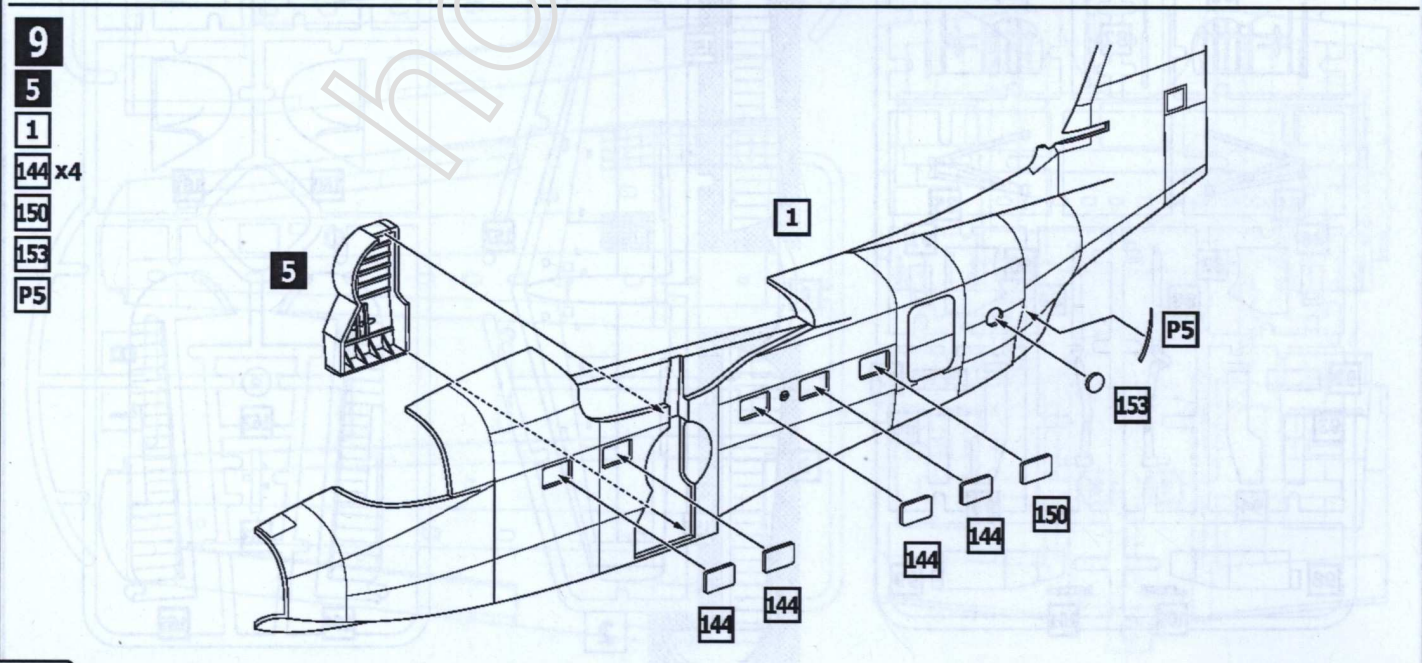
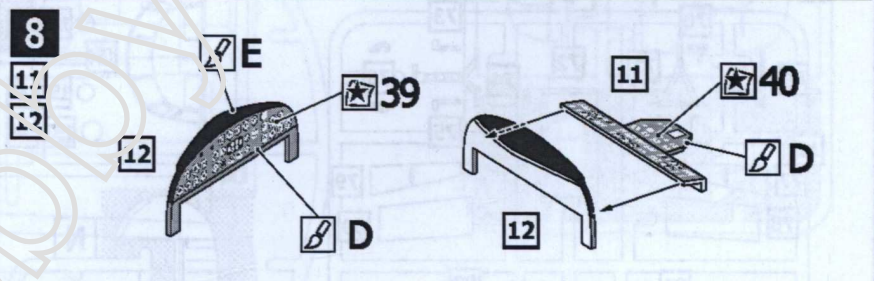
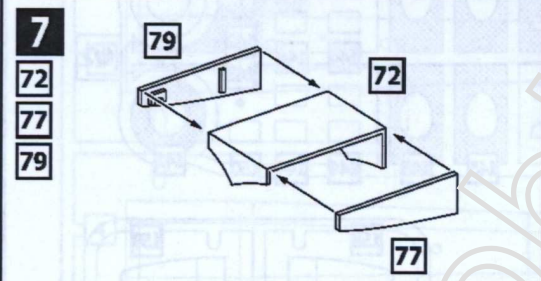
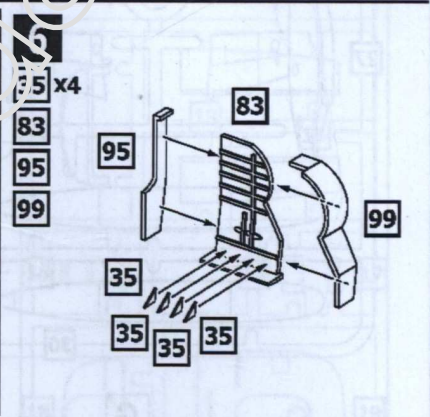
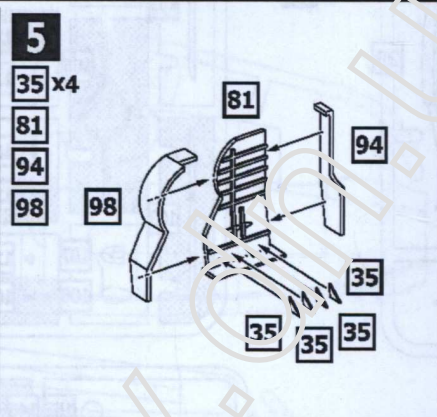
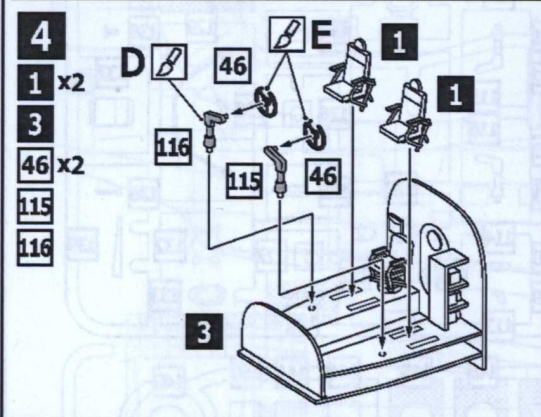
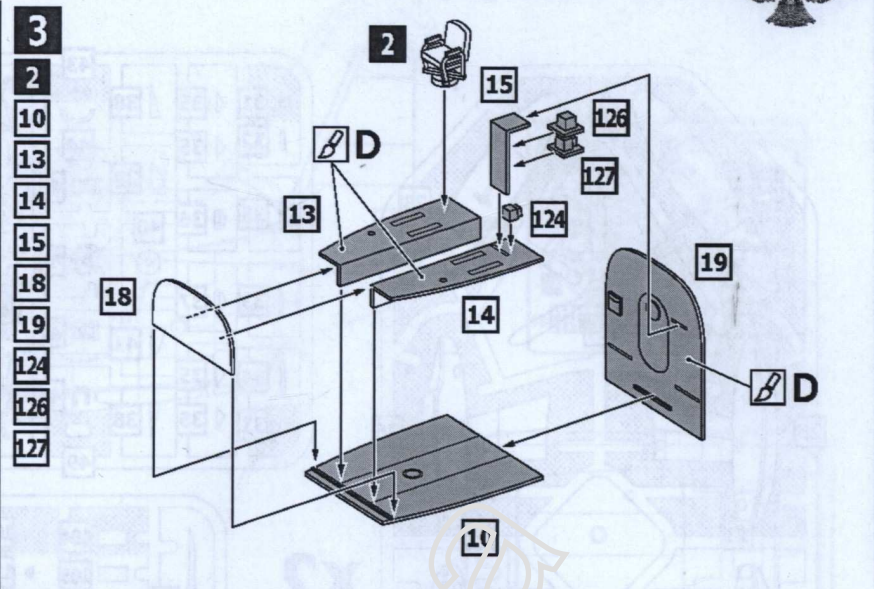
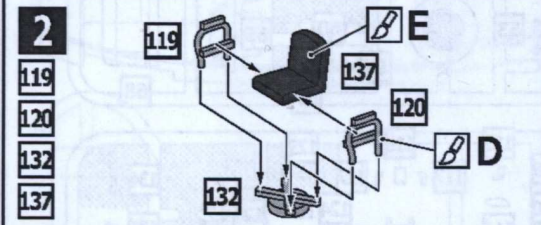
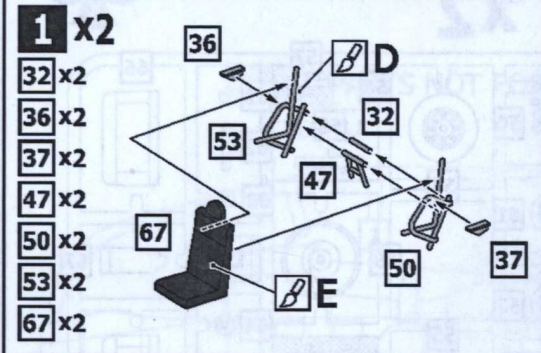
x2



x2



ASSEMBLY INSTRUCTION



ASSEMBLY INSTRUCTION



10

6

2

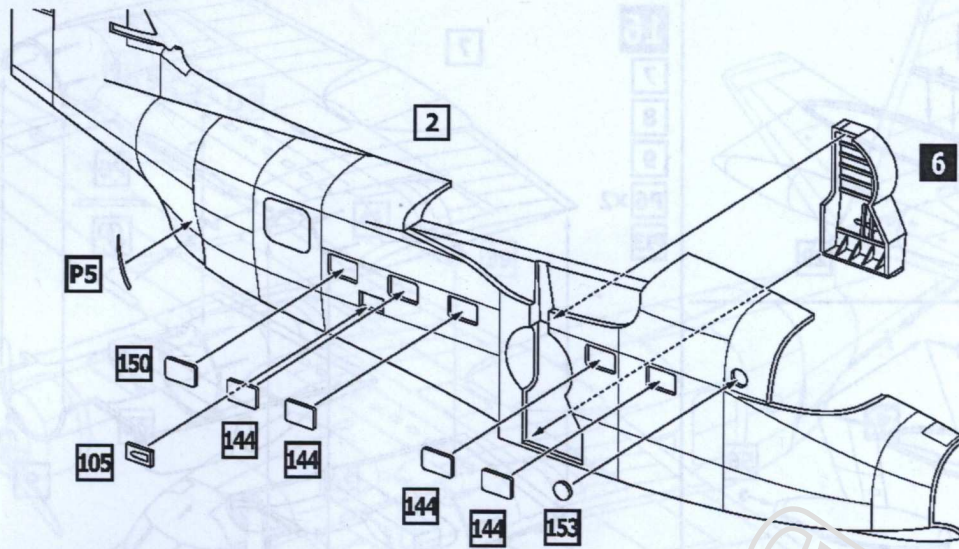
105

144 x4

150

153

P5



11

4

7

8

9

10

16

17

38 x4

102

121

135

136

138

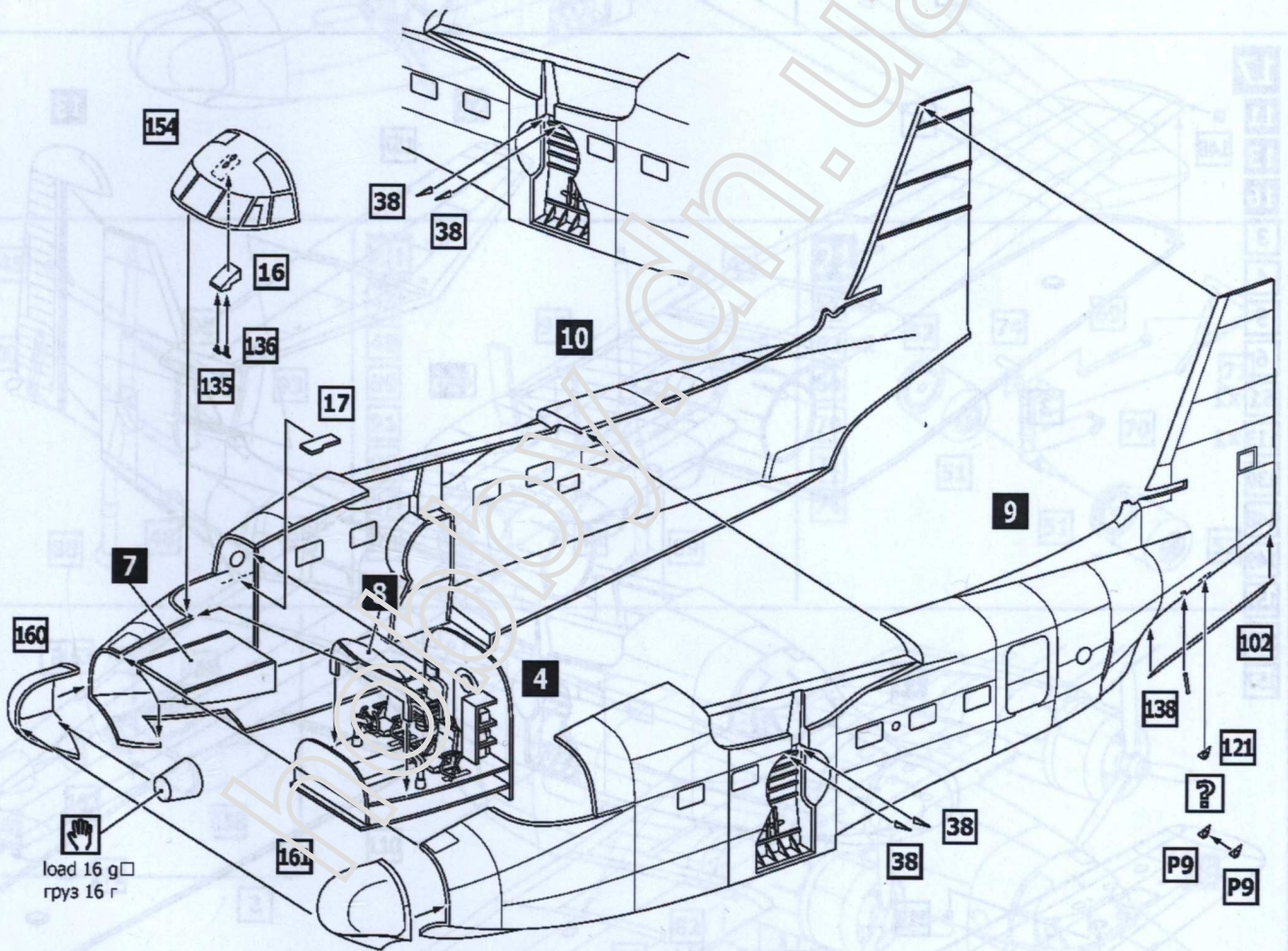
154

160

161

P9 x2

load 16 g □
рыс 16 г



12 x2

24 x2

40 x2

59 x2

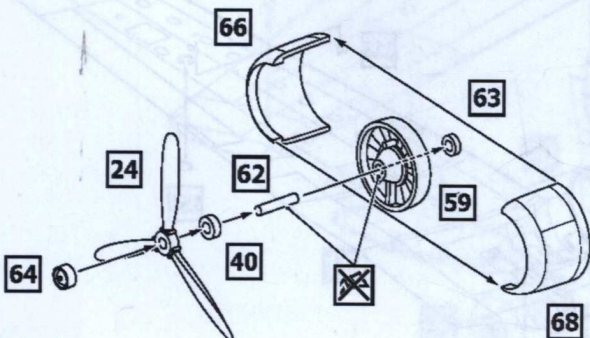
62 x2

63 x2

64 x2

66 x2

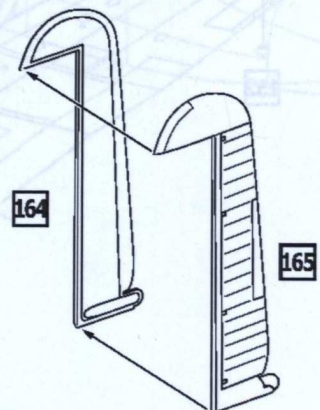
68 x2



13

164

165



ASSEMBLY INSTRUCTION

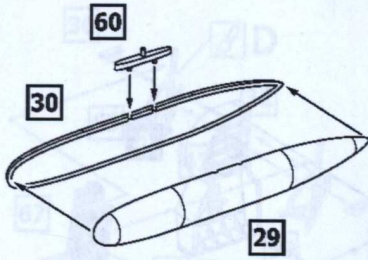


14 x2

29 x2

30 x2

60 x2



16

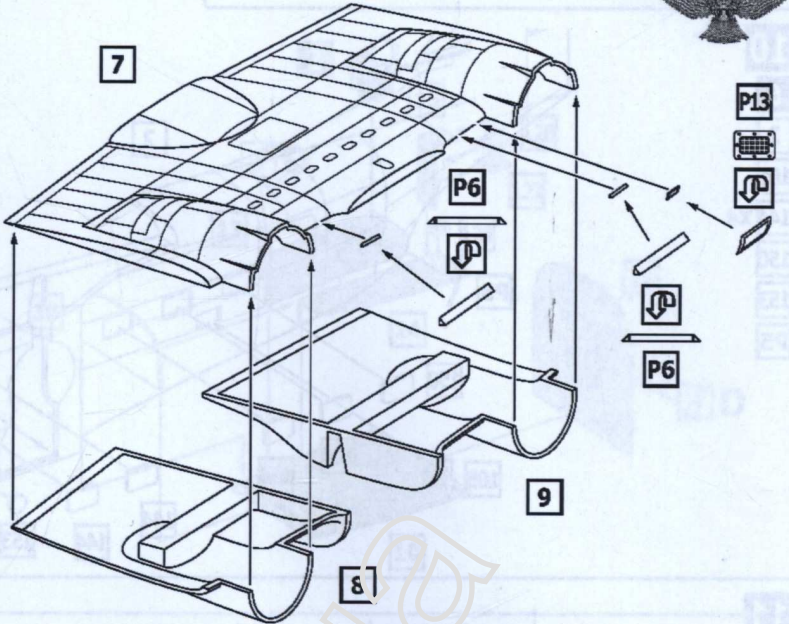
7

8

9

P6 x2

P13

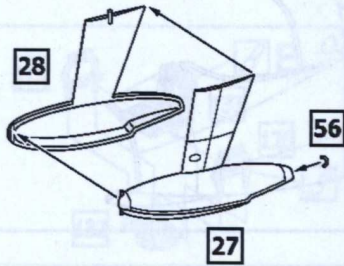


15 x2

27 x2

28 x2

56 x2



17

11

13

16

3

4

5

6

61 x2

113 x2

130

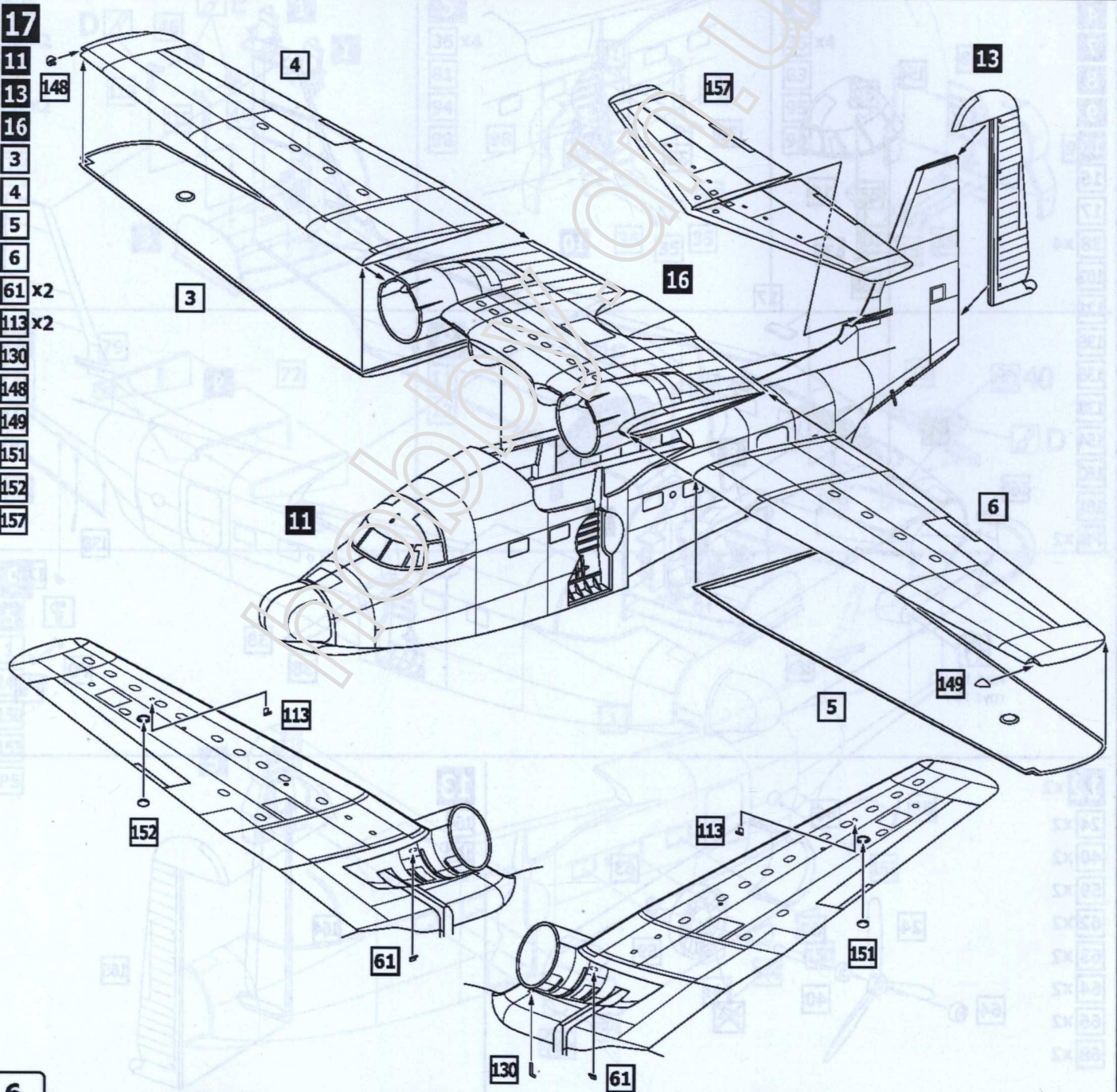
148

149

151

152

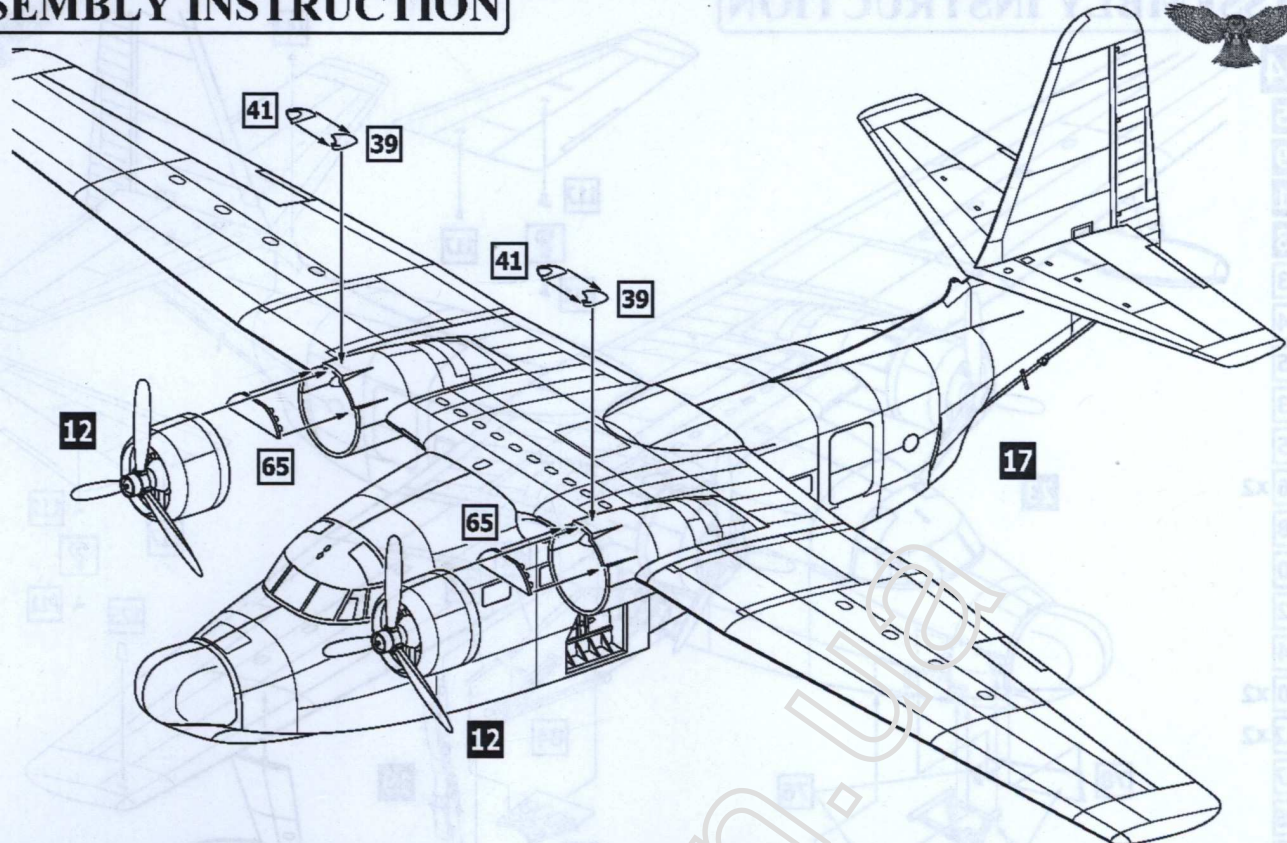
157



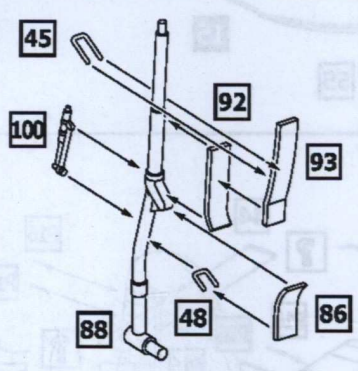
ASSEMBLY INSTRUCTION



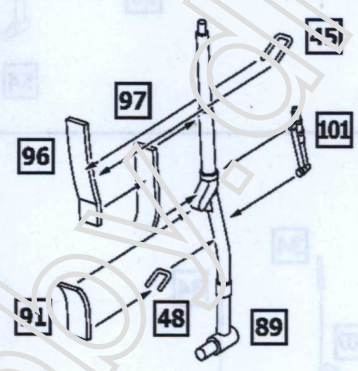
- 18**
- 12** x2
- 17**
- 39** x2
- 41** x2
- 65** x2



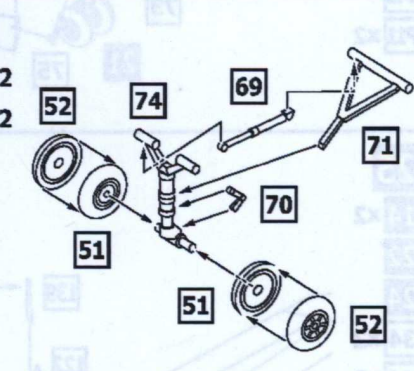
- 19**
- 45**
- 48**
- 86**
- 88**
- 92**
- 93**
- 100**



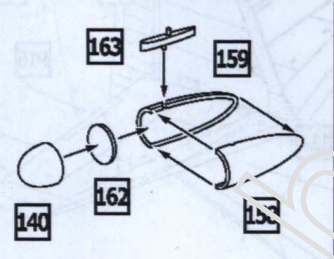
- 20**
- 45**
- 48**
- 89**
- 91**
- 96**
- 97**
- 101**



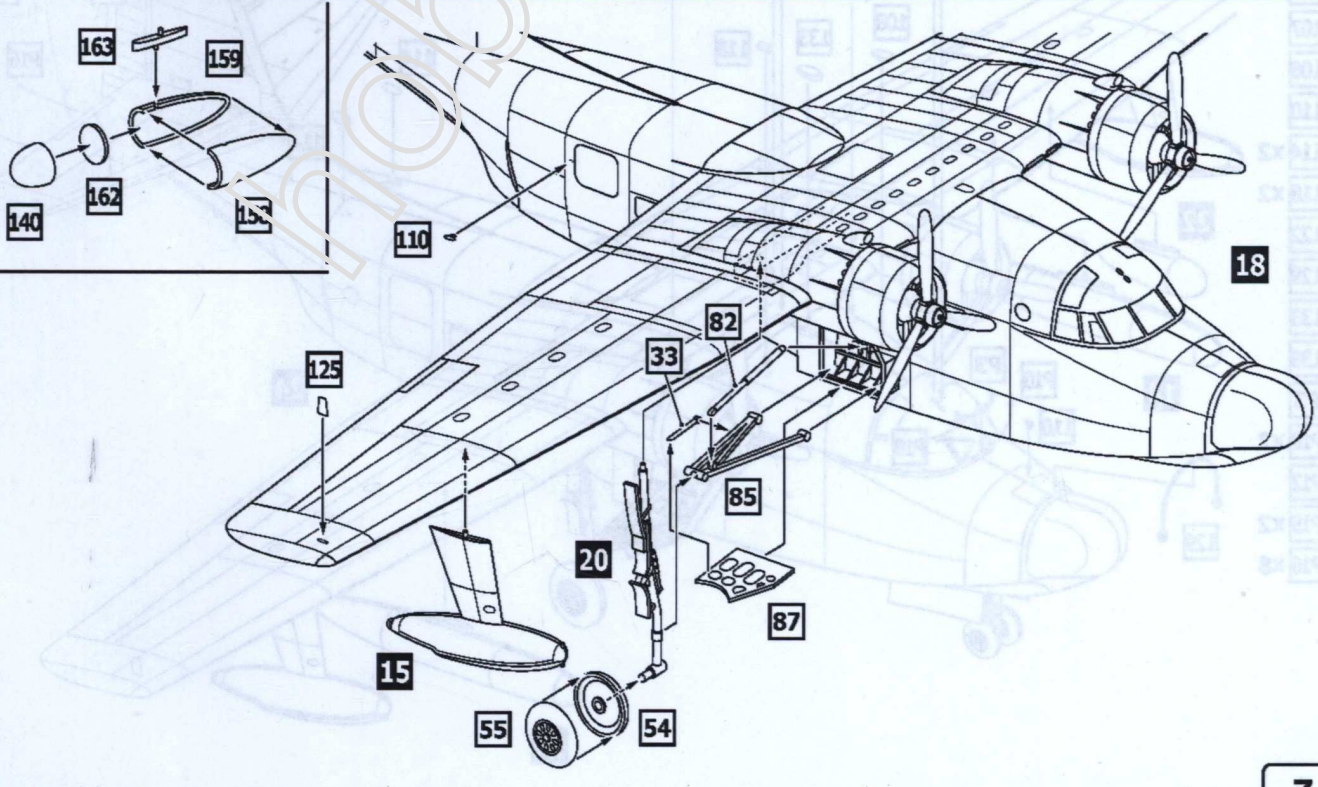
- 21**
- 51** x2
- 52** x2
- 69**
- 70**
- 71**
- 74**



- 22**
- 140**
- 158**
- 159**
- 162**
- 163**



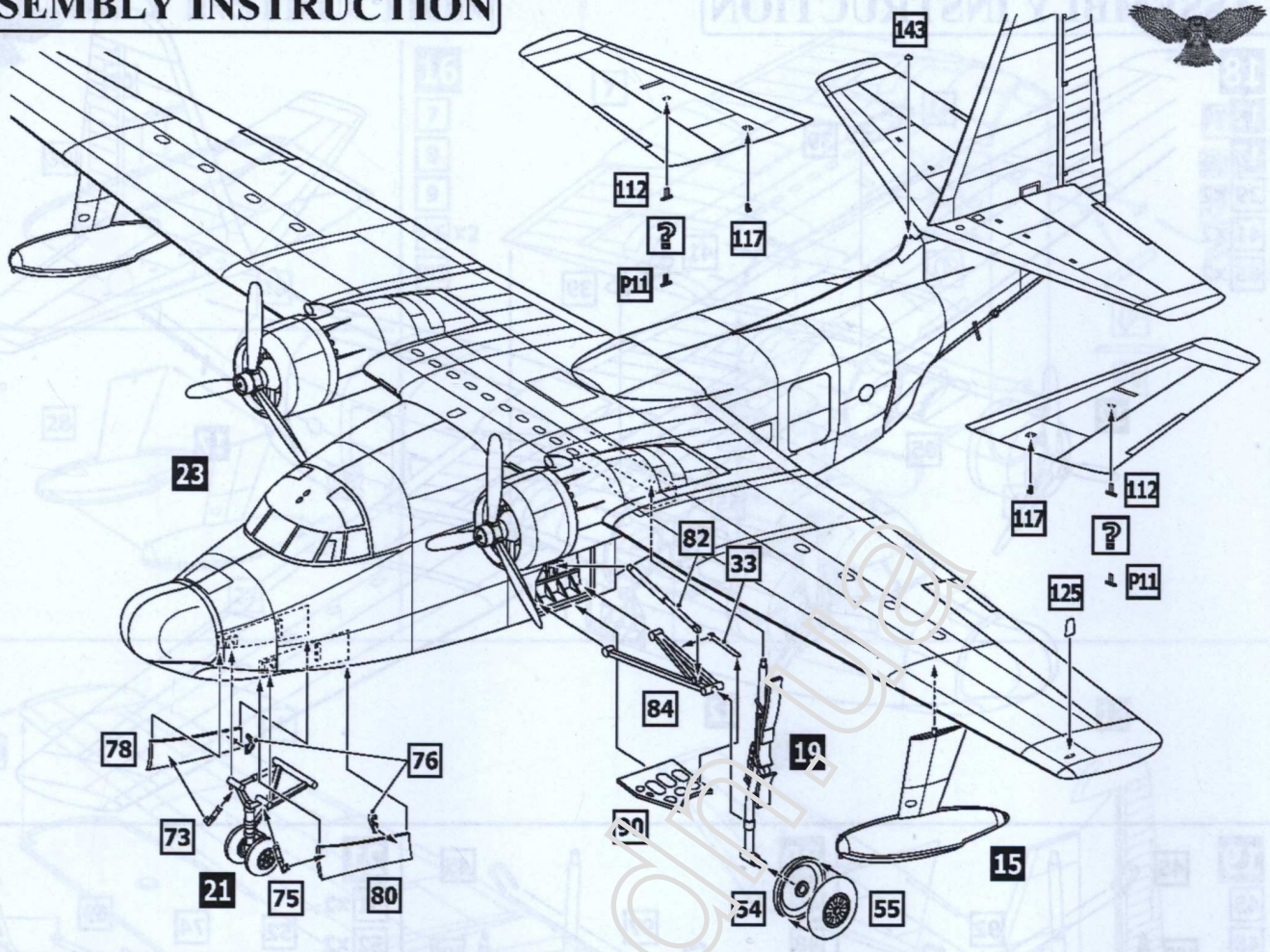
- 23**
- 15**
- 18**
- 20**
- 33**
- 54**
- 55**
- 82**
- 85**
- 87**
- 110**
- 125**



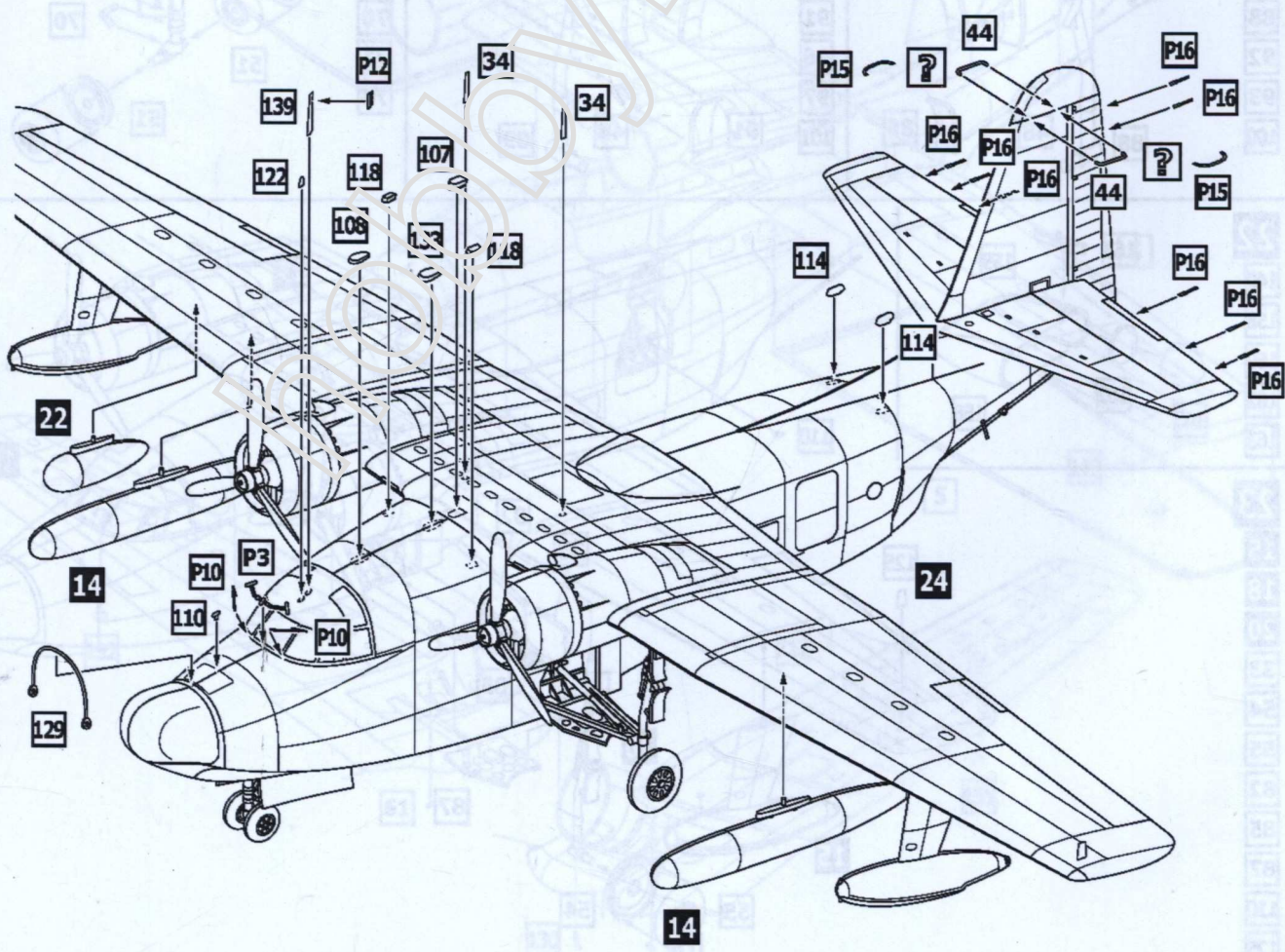
ASSEMBLY INSTRUCTION



- 24**
- 15**
- 19**
- 21**
- 23**
- 33**
- 54**
- 55**
- 73**
- 75**
- 76 x2**
- 78**
- 80**
- 82**
- 84**
- 90 x2**
- 112 x2**
- 117**
- 125**
- 143**
- P11 x2**

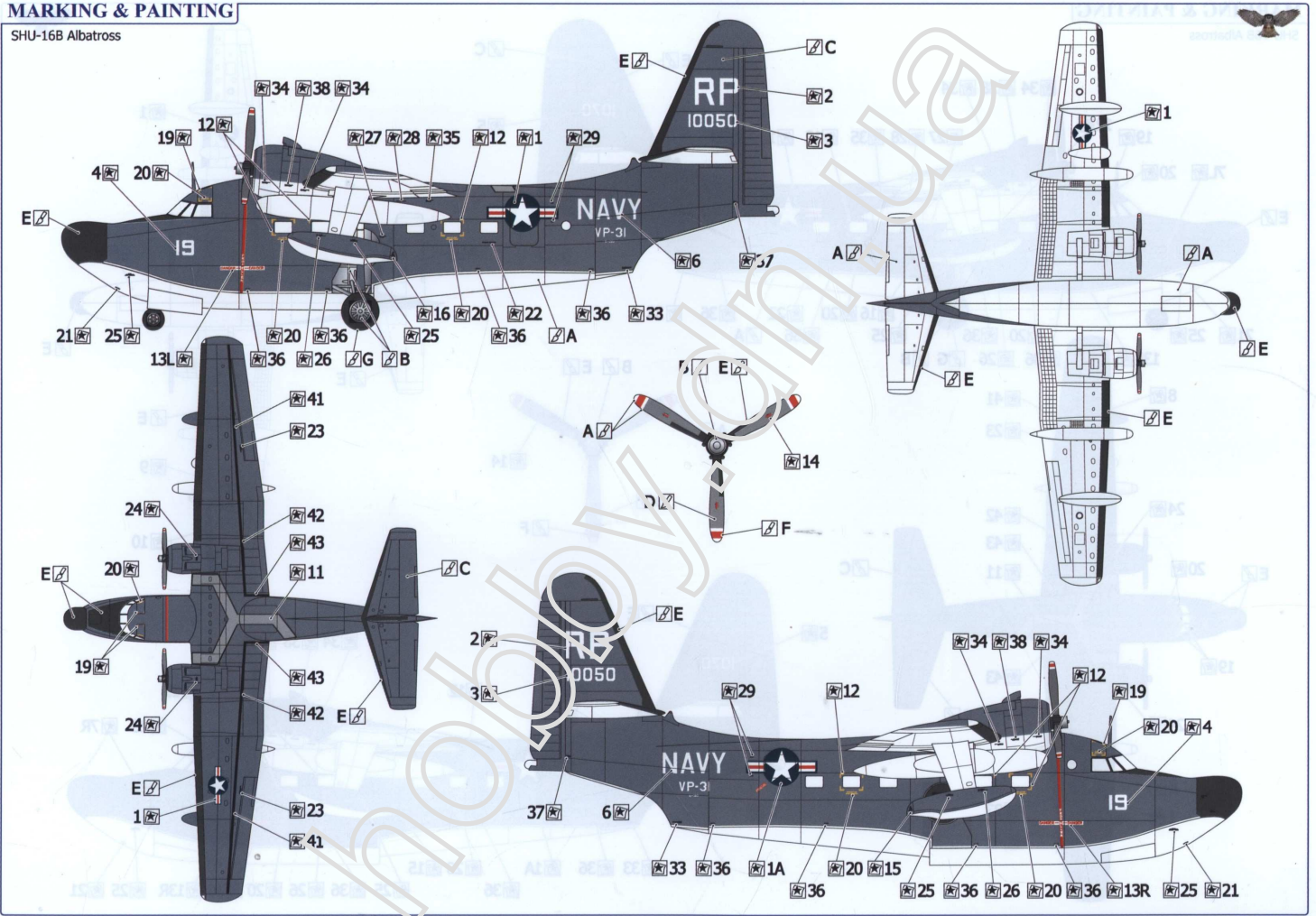


- 25**
- 14 x2**
- 22**
- 24**
- 34 x2**
- 44 x2**
- 107**
- 108**
- 110**
- 114 x2**
- 118 x2**
- 122**
- 129**
- 133**
- 139**
- P3**
- P3**
- P10 x2**
- P10**
- P12**
- P15 x2**
- P16 x8**



MARKING & PAINTING

SHU-16B Albatross



MARKING & PAINTING

SHU-16B Albatross

