



LIMITED EDITION

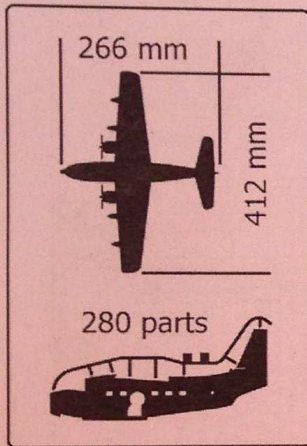
SOVA-M  
SVM-72038

# HU-16B Albatross



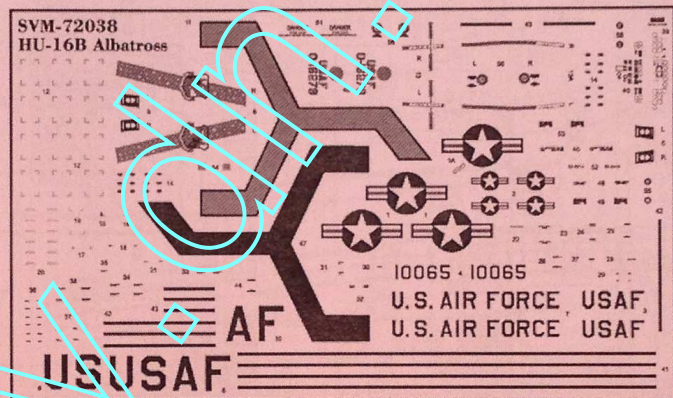
UNASSEMBLED PLASTIC MODEL KITS

SCALE: 1/72



## DECALS

TWO VERSION  
OF COLOURING



First prototype of amphibian airplane rose into the air in October 1947. Good speed characteristics were ensured by two ten-cylinder engines R-1820-76A, 1425 h.p. each. After the test program, US Navy has adopted new hydroplane for armament. First serial amphibians were produced by Grumman company in June 1949 in SA-16A version (Search Amphibian). In January 1956 new version SA-16B was built with the larger wing-span. Hydroplanes were actively used during the Korean war and in Vietnam. After long patrolling, additional fuselage tank and two suspended vessels under the wing were installed – this allowed to prolong the flight, total duration being 12-14 hours. In Korea and in Vietnam crews of amphibians managed to save lives of 229 pilots. In total 464 aircraft were built in various modifications.

## PAINTS

- |                                      |                                     |
|--------------------------------------|-------------------------------------|
| <b>A</b> HUMBROL 34<br>WHITE         | <b>B</b> HUMBROL 11<br>SILVER       |
| <b>C</b> HUMBROL 129<br>US GULL GREY | <b>D</b> HUMBROL 145<br>MEDIUM GREY |
| <b>E</b> HUMBROL 33<br>BLACK         | <b>F</b> HUMBROL 19<br>RED          |
| <b>G</b> HUMBROL 182<br>RUBBER       | <b>H</b> HUMBROL 24<br>YELLOW       |
| <b>I</b> HUMBROL 53<br>GUNMETAL      |                                     |

## SYMBOLS


- |                                  |                   |               |
|----------------------------------|-------------------|---------------|
| <b>1</b> STAGES OF ASSEMBLY      | TO PAINT          | TO BEND       |
| <b>1</b> NUMBER PARTS            | GLUE              | SCRATCH BUILT |
| APPLY DECALS                     | DON'T GLUE        | OPEN HOLE     |
| <b>x2</b> QUANTITY OF OPERATIONS | НА ВИБІР OPTIONAL | CAT OUT       |

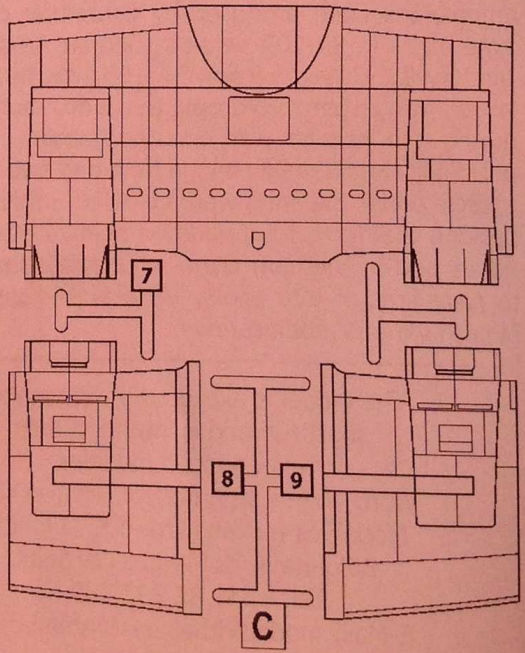
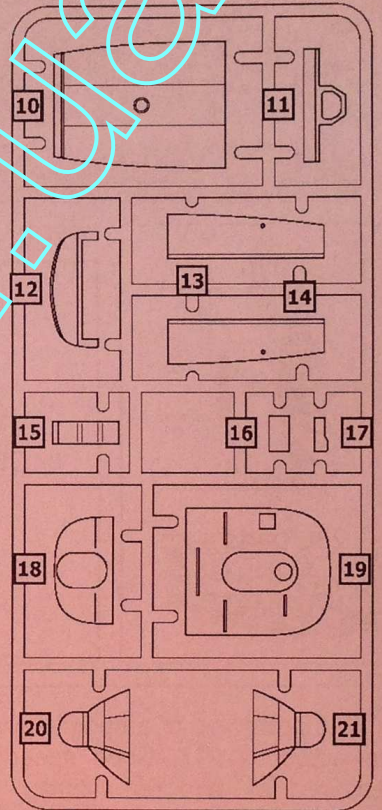
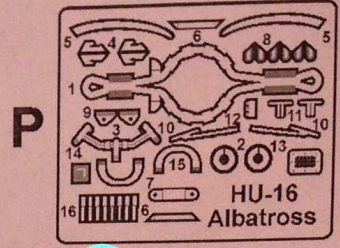
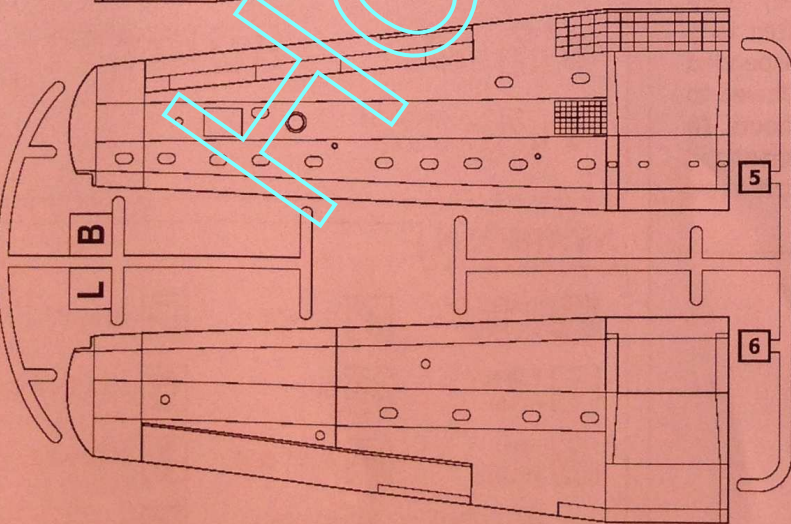
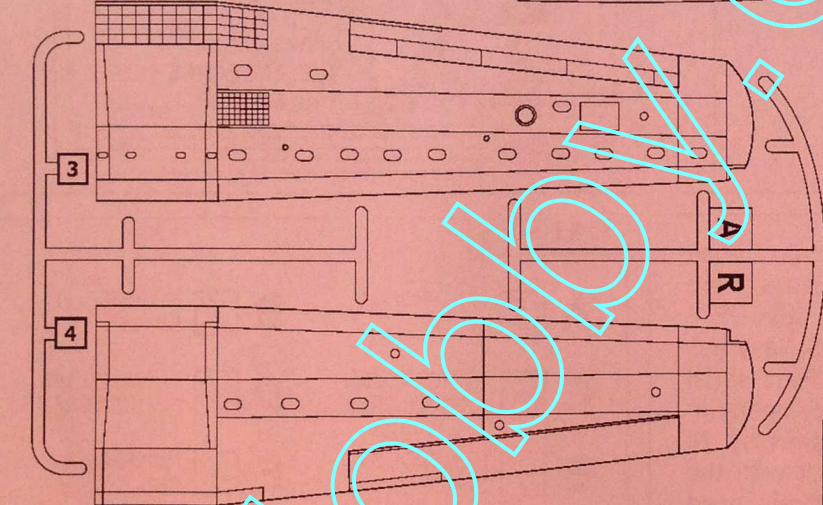
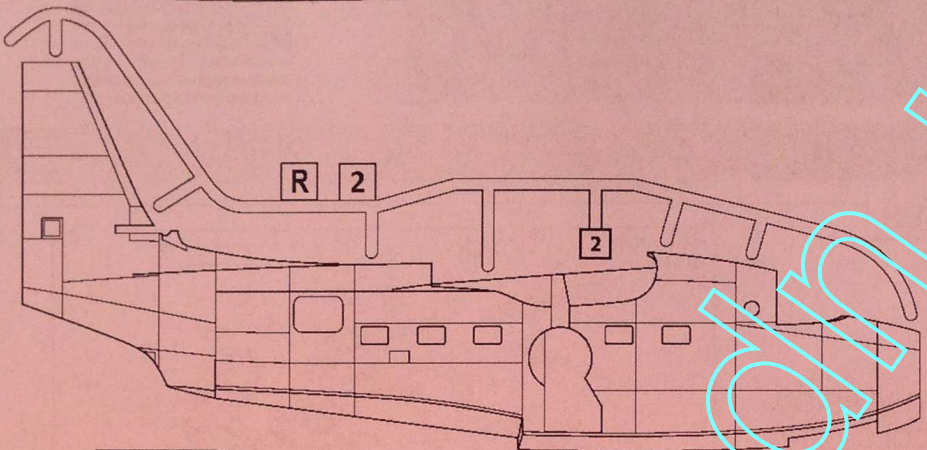
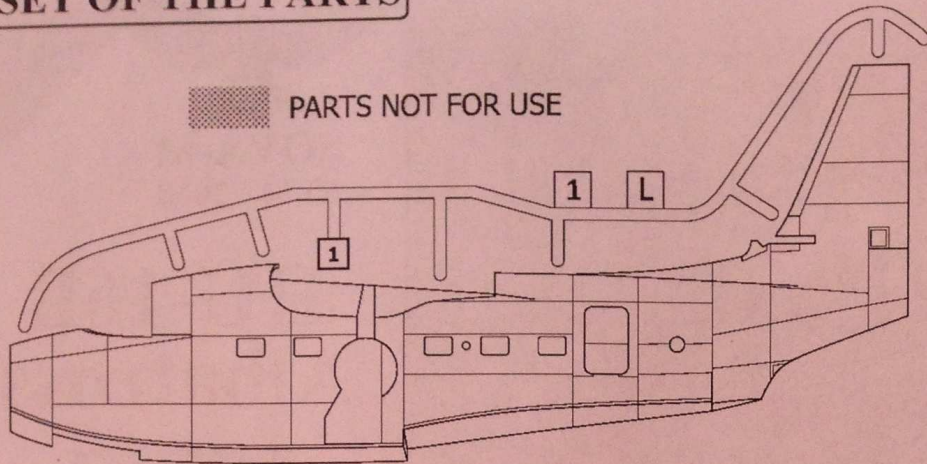
The model is executed on technology short run and is intended only for experienced modelers.

World-wide distributor for Sova-M kits:  
ModelSvit Balkans Ltd. 4003 Plovdiv,  
Bulgaria 9, zK Maritza Gardens.  
Tel. +359 32 397 069,  
E-Mail: modelsvitbalkans@gmail.com  
MADE IN UKRAINE

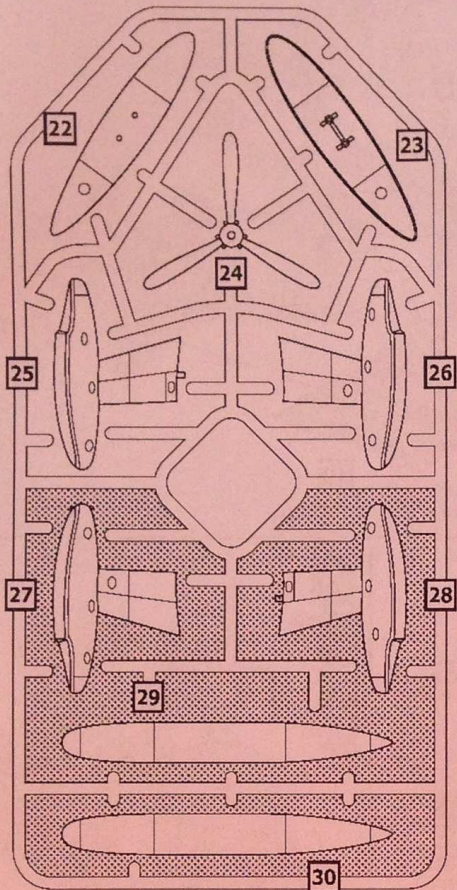
# SET OF THE PARTS



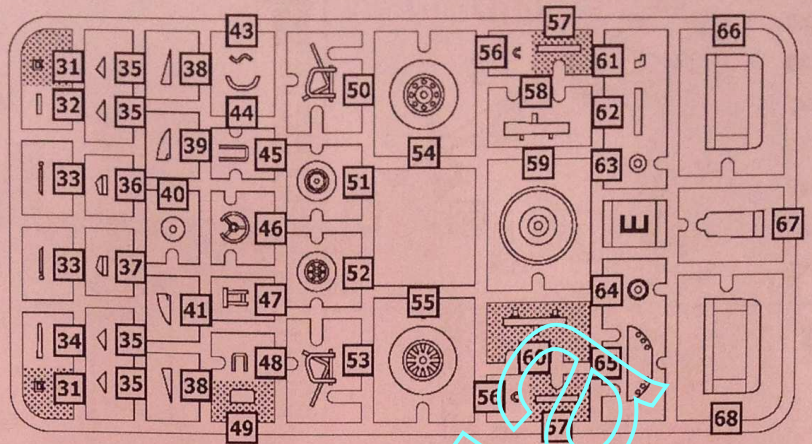
 PARTS NOT FOR USE



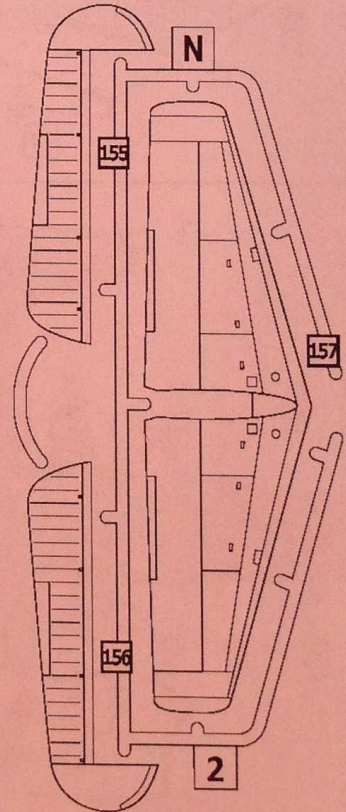
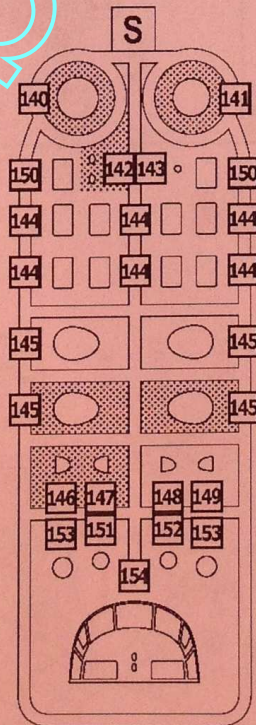
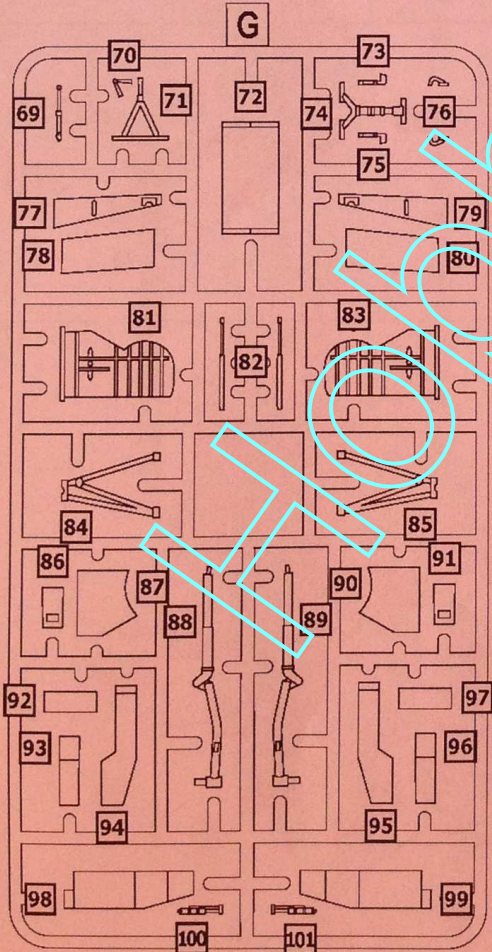
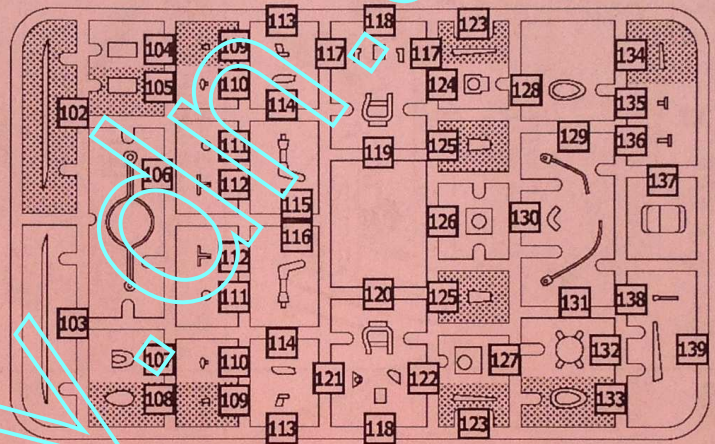
# SET OF THE PARTS



x2



x2

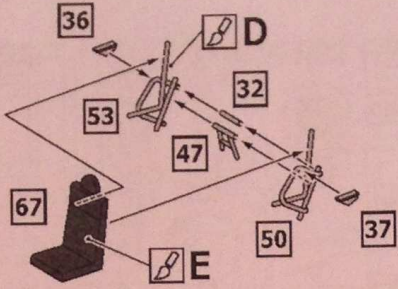


# ASSEMBLY INSTRUCTION



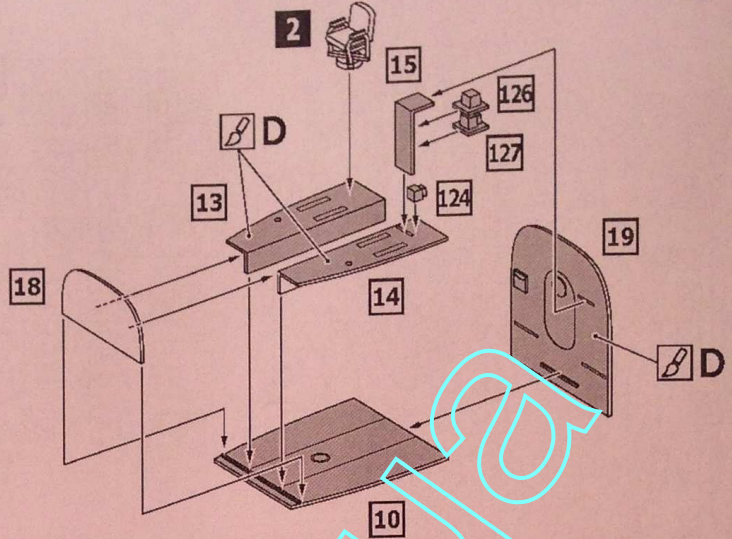
**1** x2

- 32 x2
- 36 x2
- 37 x2
- 47 x2
- 50 x2
- 53 x2
- 67 x2



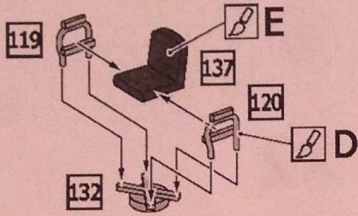
**3**

- 2**
- 10
- 13
- 14
- 15
- 18
- 19
- 124
- 126
- 127



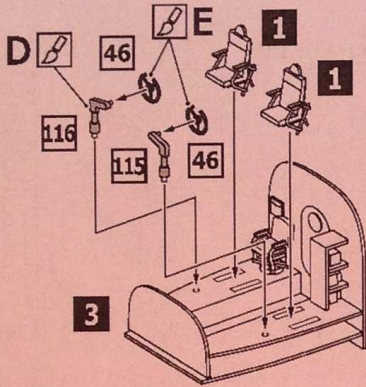
**2**

- 119
- 120
- 132
- 137



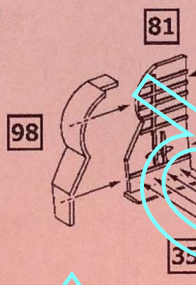
**4**

- 1** x2
- 3**
- 46 x2
- 115
- 116



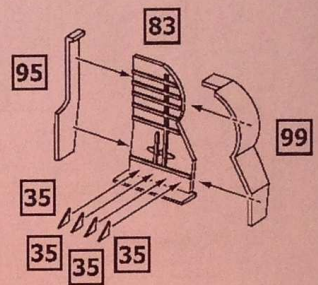
**5**

- 35 x4
- 81
- 94
- 98



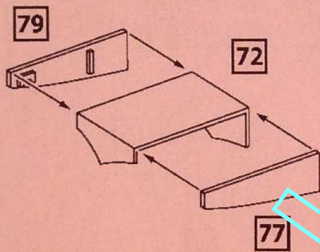
**6**

- 35 x4
- 83
- 95
- 99



**7**

- 72
- 77
- 79



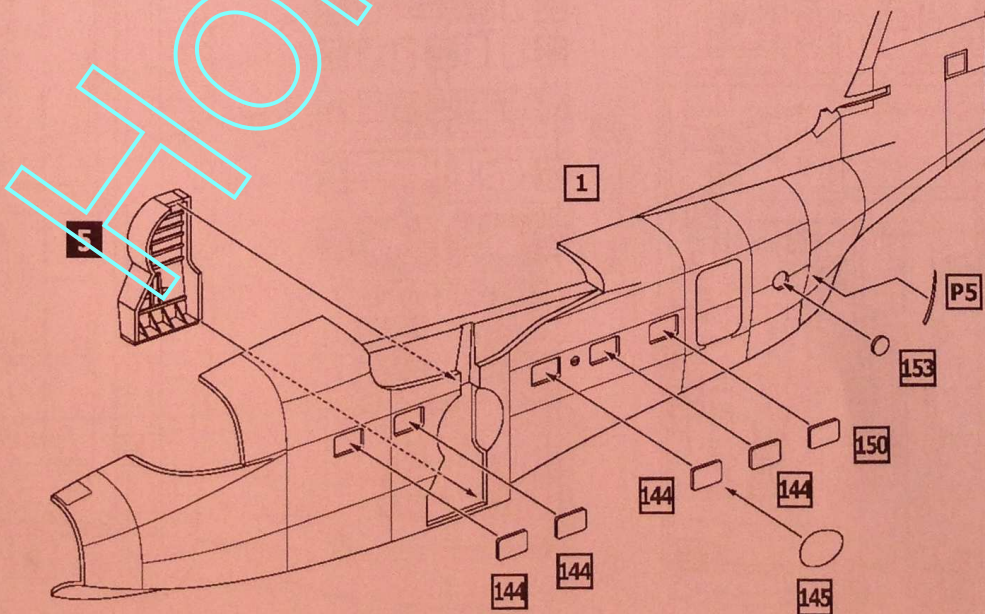
**8**

- 12
- 14



**9**

- 5**
- 1**
- 144 x4
- 145
- 150
- 153
- P5



# ASSEMBLY INSTRUCTION



**10**

**6**

**2**

**104**

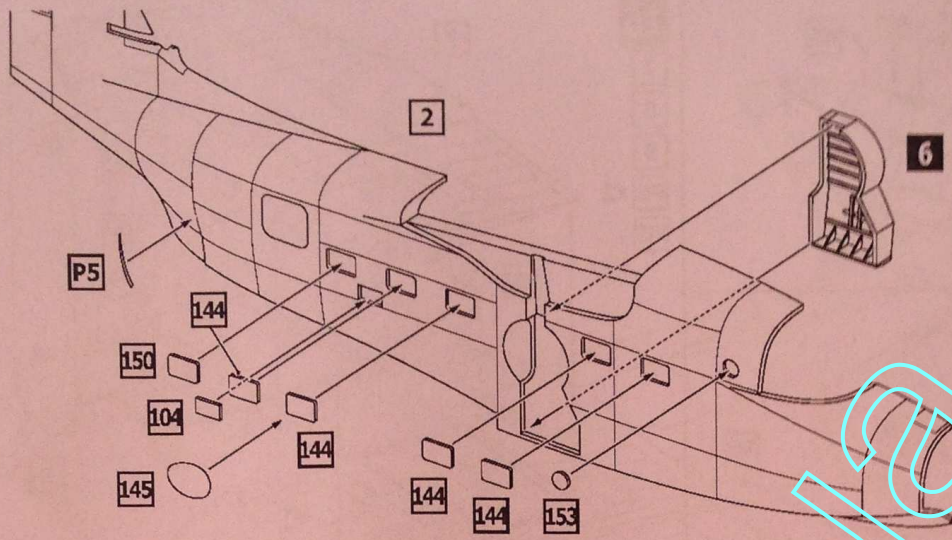
**144 x4**

**145**

**150**

**153**

**P5**



**11**

**4**

**7**

**8**

**9**

**10**

**16**

**17**

**20**

**21**

**38 x4**

**103**

**121**

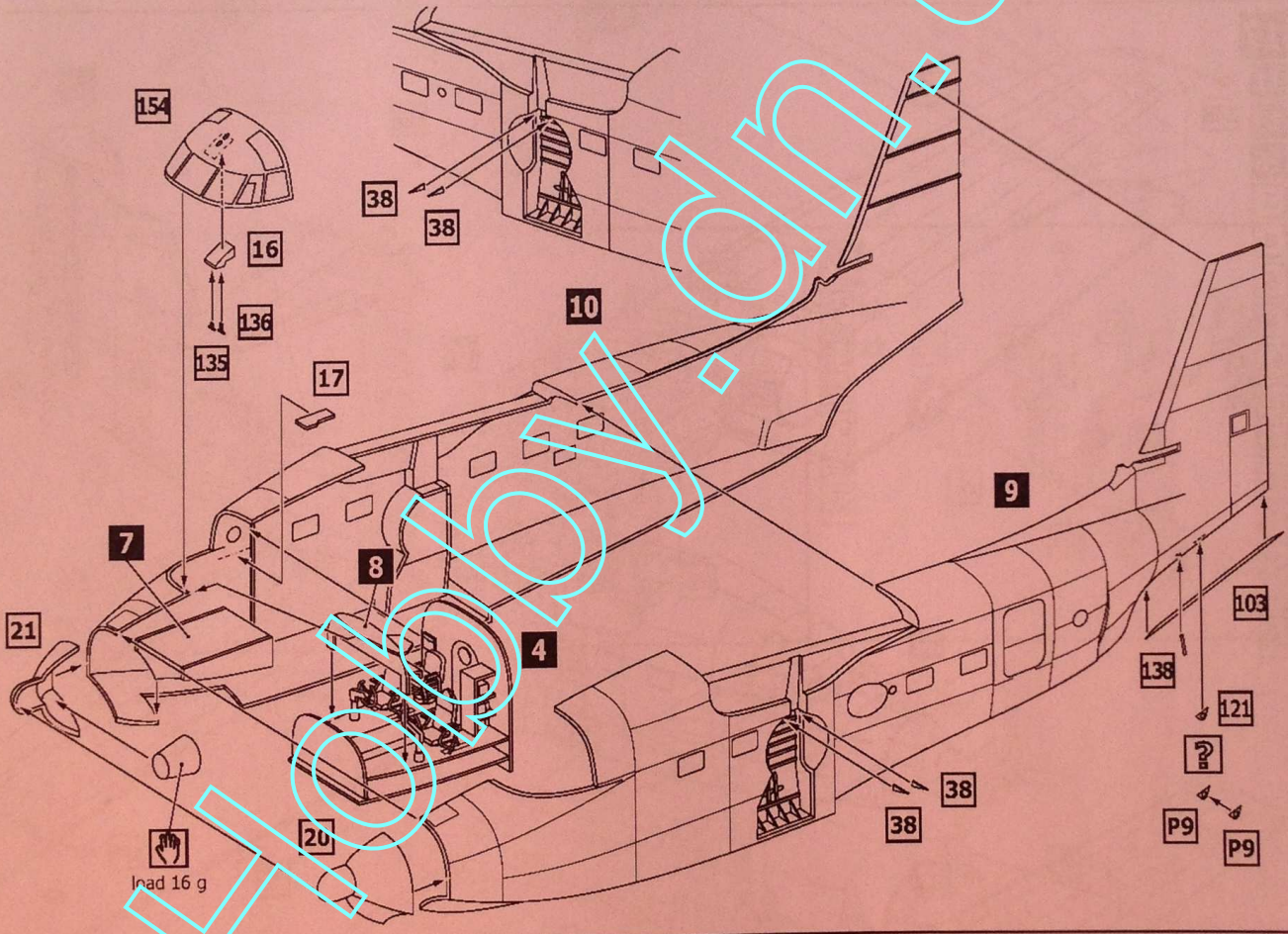
**135**

**136**

**138**

**154**

**P9 x2**



**12 x2**

**24 x2**

**40 x2**

**59 x2**

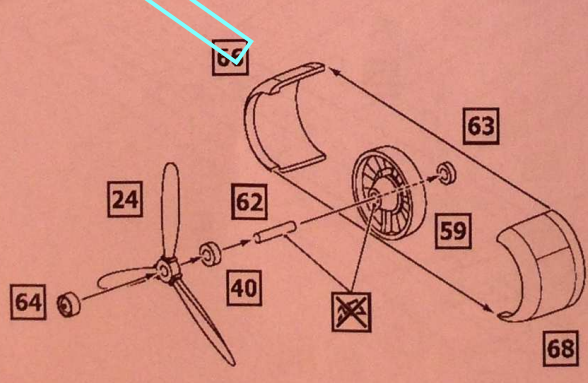
**62 x2**

**63 x2**

**64 x2**

**66 x2**

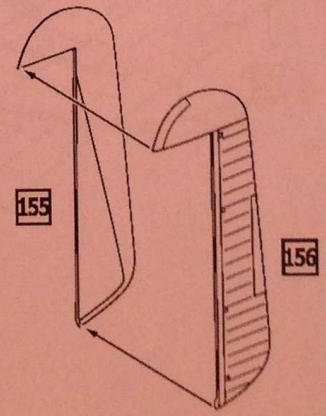
**68 x2**



**13**

**155**

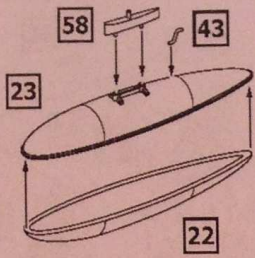
**156**



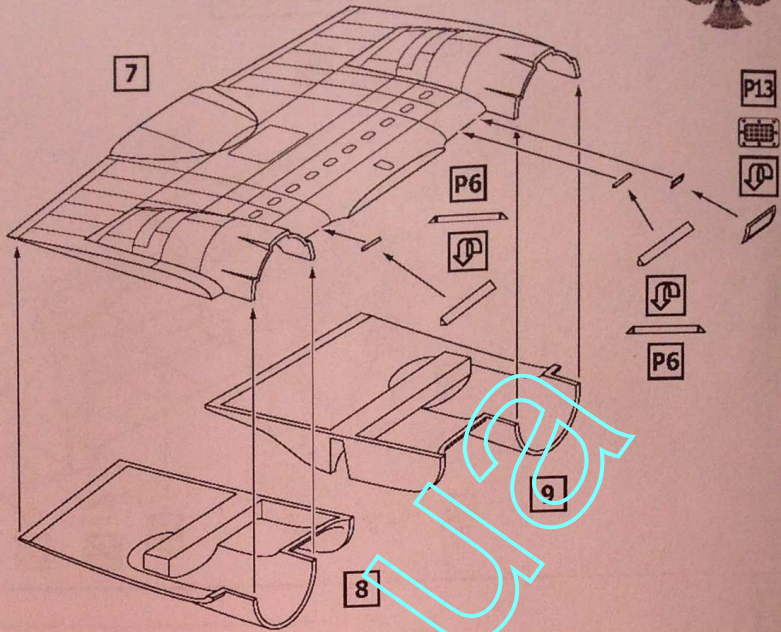
# ASSEMBLY INSTRUCTION



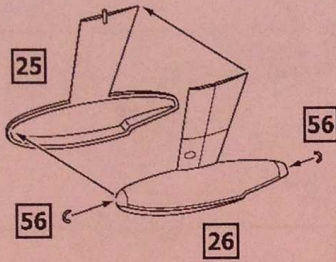
- 14** x2
- 22** x2
- 23** x2
- 43** x2
- 58** x2



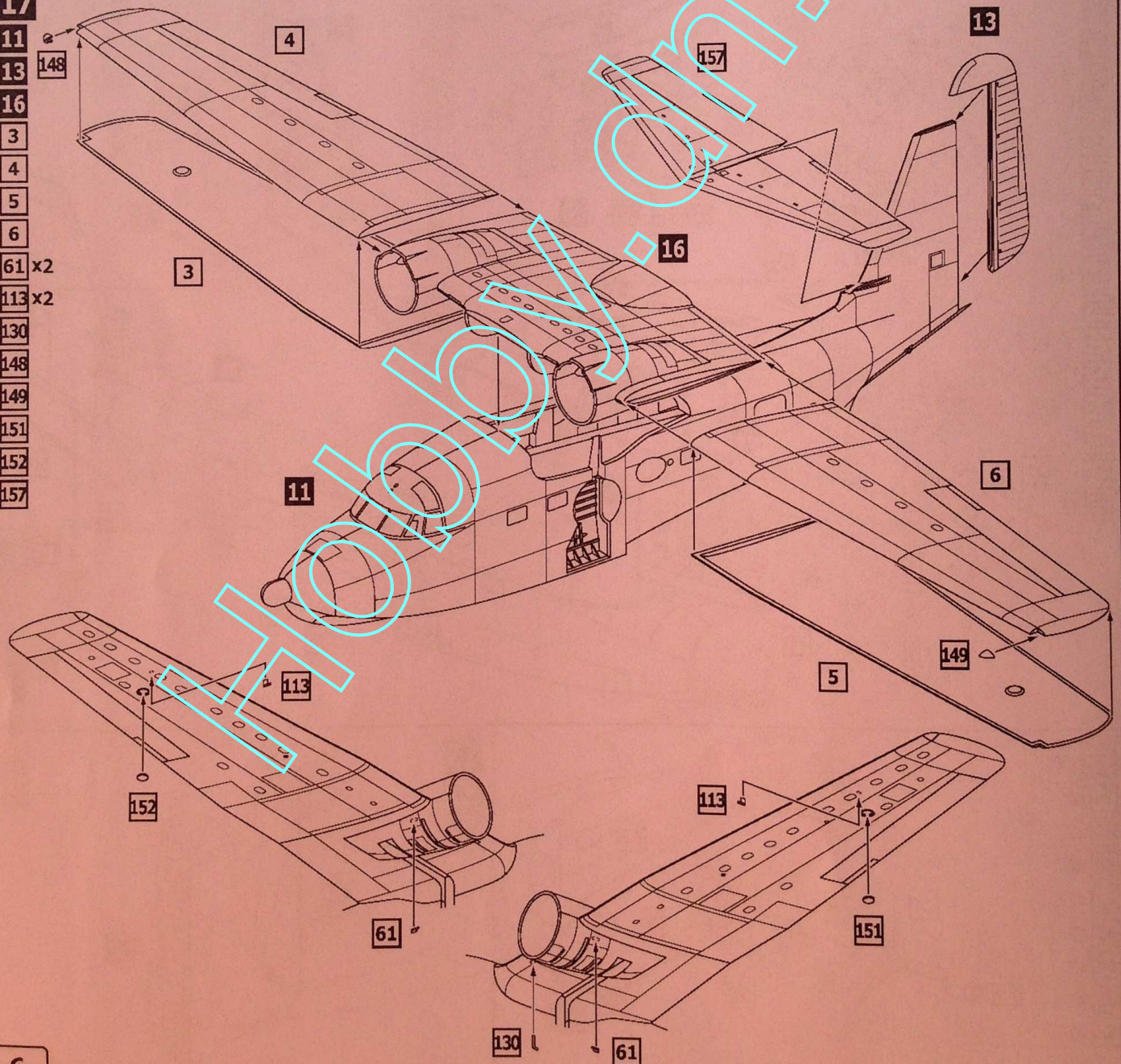
- 16**
- 7**
- 8**
- 9**
- P6** x2
- P13**



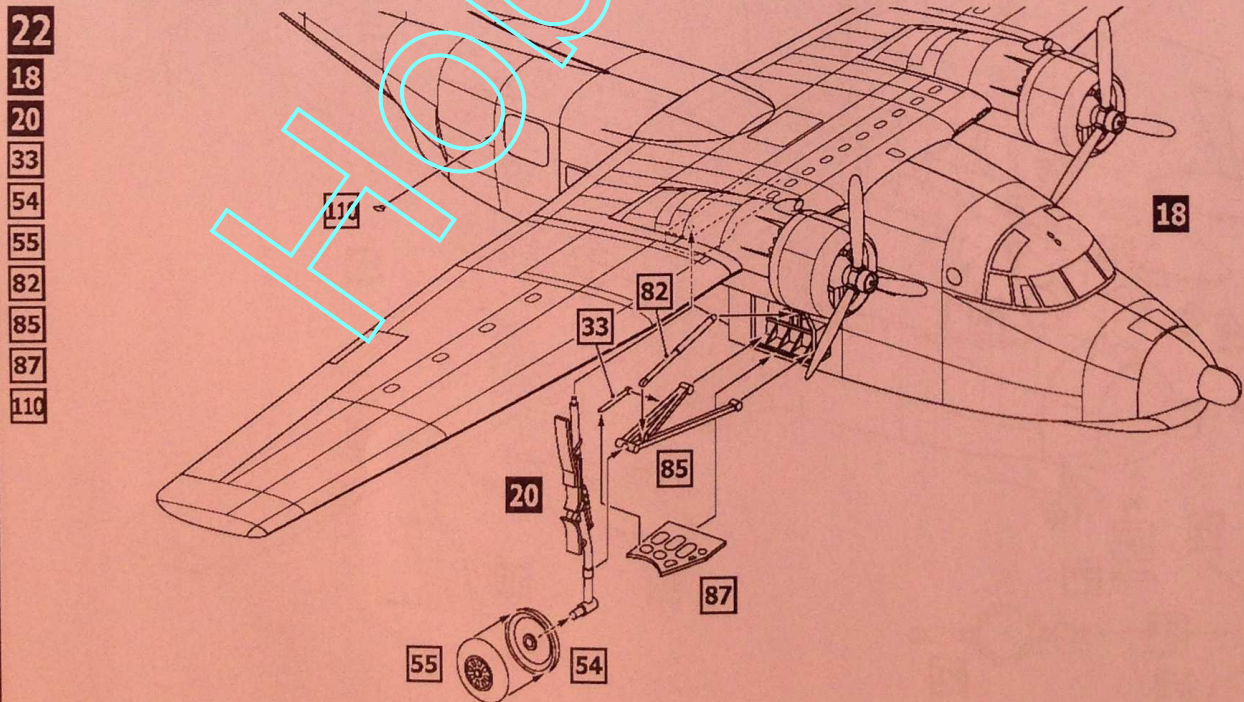
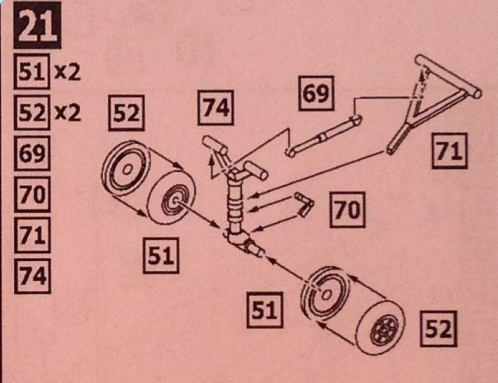
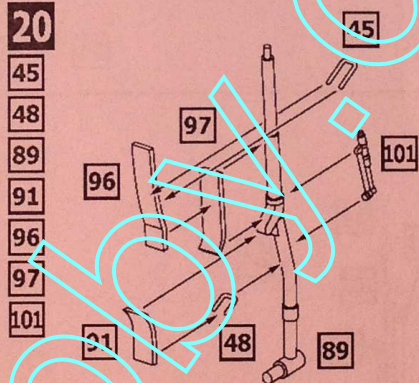
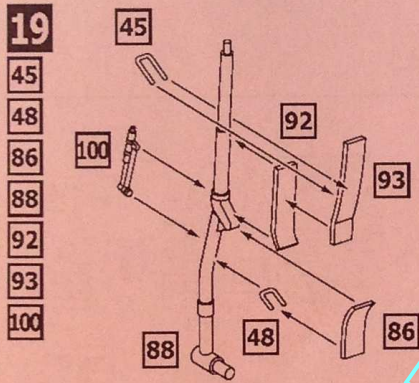
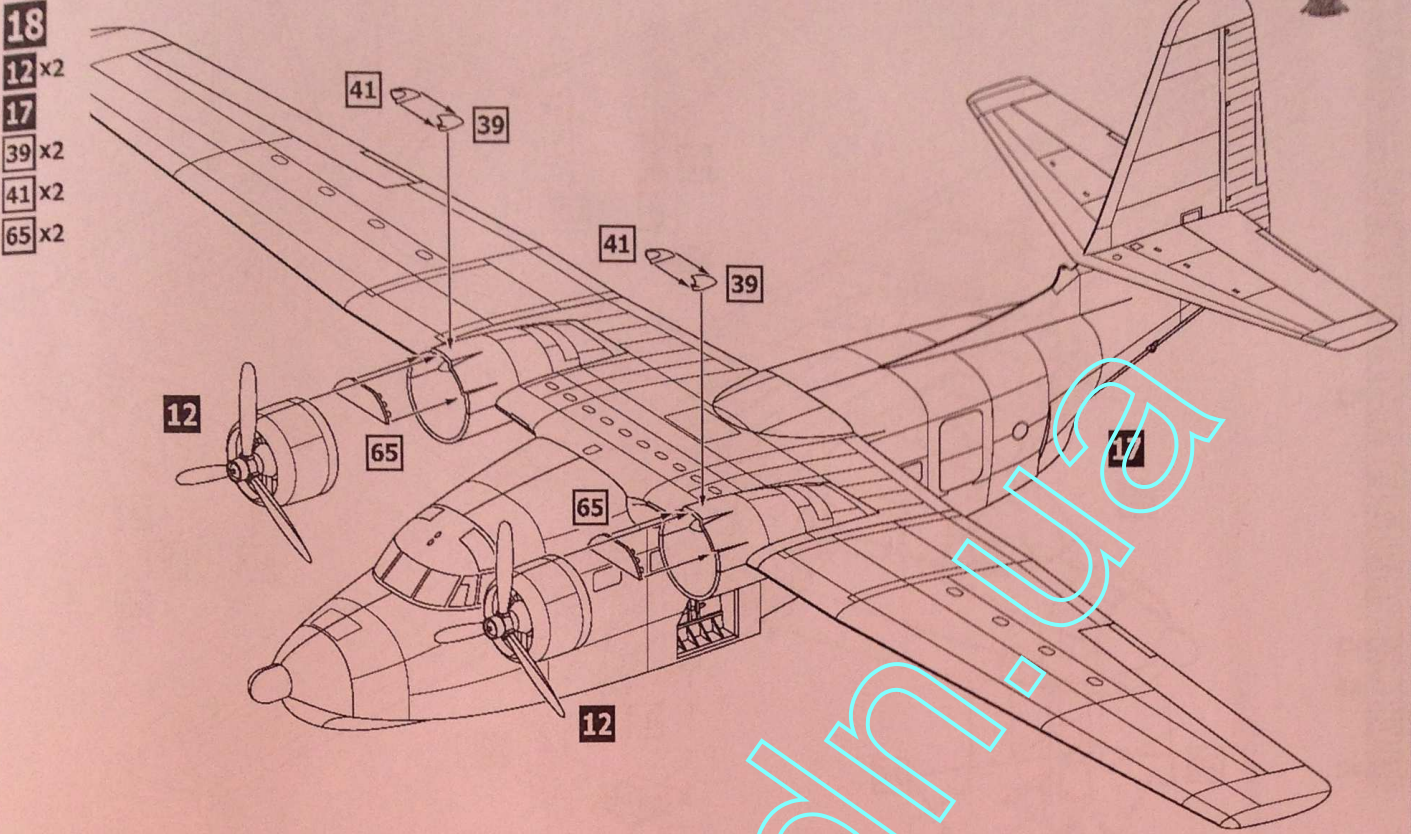
- 15** x2
- 25** x2
- 26** x2
- 56** x4



- 17**
- 11**
- 13** 148
- 16**
- 3**
- 4**
- 5**
- 6**
- 61** x2
- 113** x2
- 130**
- 148**
- 149**
- 151**
- 152**
- 157**



# ASSEMBLY INSTRUCTION









# MARKING & PAINTING

HU-16B Albatross

