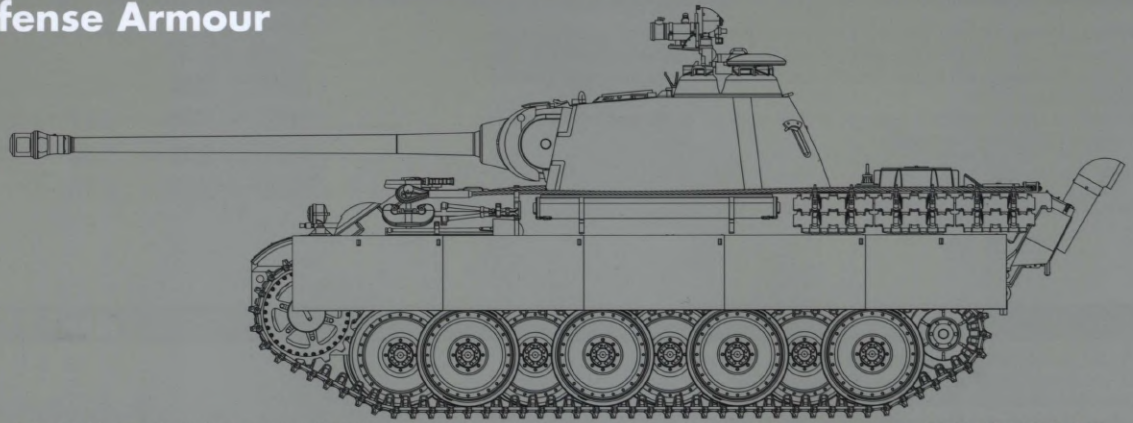


# PANTHER Ausf.G Late Production

## w/IR & Air Defense Armour



When the German Panzer IV met the Russian T-34 in June 1941, they were humiliated by being outclassed by the T-34, so a group of weapons specialists were sent to the Russian front to analyze the T-34's design. With these results, Daimler-Benz (DB) and Maschinenfabrik Augsburg (MAN) were both tasked with providing designs for a 30-ton medium tank by April 1942. The MAN design was accepted in May 1942, mainly because it was able to use an existing turret designed by Rheinmetall-Borsig, saving valuable time needed to design a new turret required with the DB design.

The Panther design adapted many of its successful design characteristics from the T-34. These were mainly the sloped armor, and the wide tracks (to make maneuvering in snow conditions of the Eastern front easier). In September 1942 the first prototype was tested and immediately pressed into service. Despite delays in production due to the lack of manufacturing equipment of the hull, the first rushed deliveries to the German Army were completed in December, but the tank was plagued by technical problems. Despite these early issues, the tank was very successful, and due to its high demand on the Eastern Front, the original production of 250 tanks per month at the MAN plant, was increased to 300 tanks per month in January in 1943, which resulted in production also being allocated to the Daimler-Benz, Maschinenfabrik Niedersachsen-Hannover (MNH), and the Henschel & Sonne plants to meet production quotas. Due to Allied bombing throughout the war, the required production amount was never met and only 6,000 in total were built.

The 700hp Maybach V-12 petrol engine with its seven-speed AK 7-200 synchromesh gearbox designed by ZF, was fitted with a governor in late 1943 to minimize engine failures by limiting the engine revolutions to 2500 rpm and reducing its power to 600 hp. This reduced the Panthers top speed from 55 km/h to 46 km/h. The Panther had a five-man crew: the driver, radio operator, gunner, loader, and commander.

The Panther was armed with a semi-automatic 75mm Rheinmetall-Borsig KwK 42 main gun, and could carry 79 rounds of three different types of ammunition: Armour-Piercing Capped Ballistic Capped, (APCBC), High-Explosive (HE) and Armour-Piercing Composite Rigid (APCR). The 75mm cannon on the Panther was one of the most powerful cannons of WWII, and had even greater success at piercing enemy armor than the Tiger I's 88mm cannon. The Panther was also equipped with two 7.92mm Maschinengewehr 34 (MG-34) for close quarter fighting; one was mounted coaxially with the main cannon and the second was mounted in the front sloping armour and operated by the radio operator. In later production upgrades, a mount was attached to the commander's cupola so a third MG-34 could be mounted for anti-aircraft purposes.

The frontal armor of the Panther consisted of 80mm homogeneous steel plate sloped back at 55 degrees from the vertical, interlocked & welded for strength. This made the Panther's frontal armor less penetrable to Allied and Soviet tanks. The front of the turret was covered by a 100mm cast turret in the shape of a semi-circle, with a curved shape meant to deflect incoming shells. To keep weight down, sacrifice was made to its side armor, which was on average 40mm to 50mm thick, leaving the Panther vulnerable to attacks from the sides by Allied and Soviet tank and anti-tank guns.

03.02.2121

### READ BEFORE ASSEMBLY

#### CAUTION

#### PAINTS REQUIRED

- Read carefully and fully understand the instructions before commencing assembly. A supervising adult should also read the instructions if a child assembles the model.
- When assembling this kit, tools including knives used. Extra care should be taken to avoid personal injury.
- Keep out of reach of small children. Children must not be allowed to suck any part, or pull vinyl bag over their heads.

Color info and profiles by Mig Jimenez

A.MIG-001 Rubber & Fires	A.MIG-005 Dark Tracks	A.MIG-007 New Wood	A.MIG-009 Medium Brown
A.MIG-004 Gun Metal	A.MIG-003 Bezed gun	A.MIG-011 Dunkelgelb Aus 44 DG	A.MIG-006 Crystal Periscope Green
A.MIG-008 Crystal Smoke	A.MIG-014 Rotbraun	A.MIG-008 Dunkel Grau	A.MIG-013 Schokobraun
A.MIG-016 Gelbbraun	A.MIG-012 Dunkelgelb AUS 44 DG II	A.MIG-004 Rotbraun	

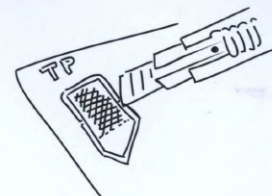
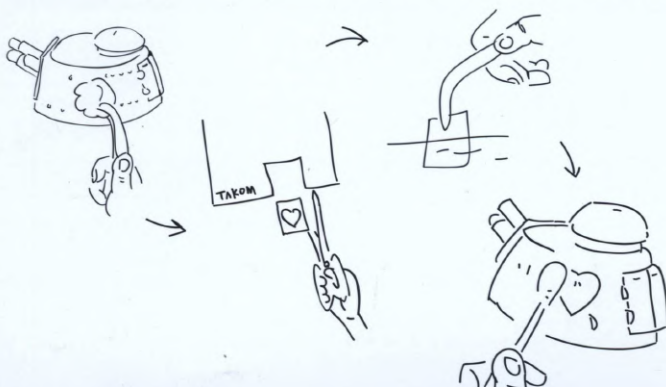


Optional Instant Glue for Metal Remove

### APPLYING DECALS

### REMOVING PE

1. Clean the model surface with a wet cloth.
2. Cut out each decal design from sheet, and dip it in tepid water for 15-20 sec.
3. Hold the backing sheet edge and slide decal onto the model.
4. Move decal into position by wetting decal with finger.
5. Press decal gently down with a soft cloth until excess water and air bubbles are gone.



Be careful not to hurt when removing PE parts.



Secure using instant glue (not included).

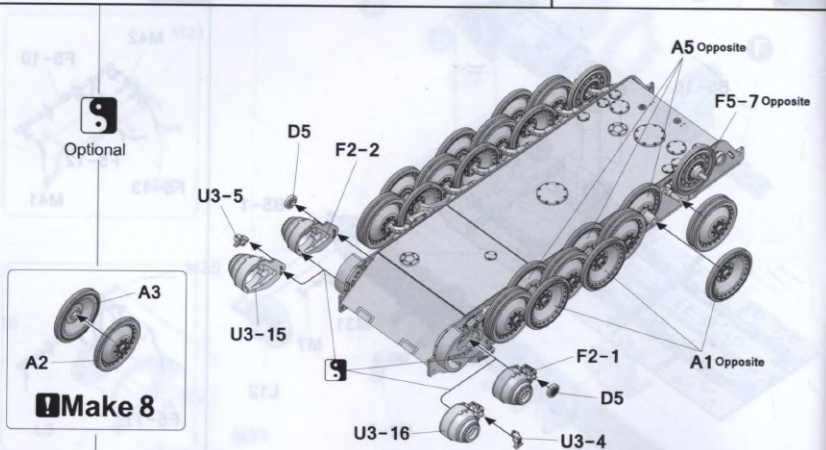
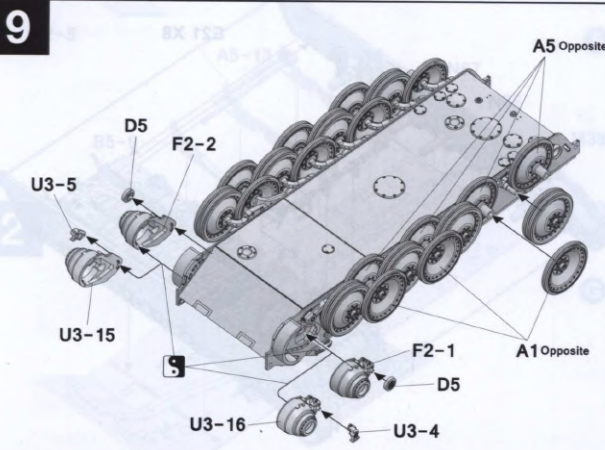
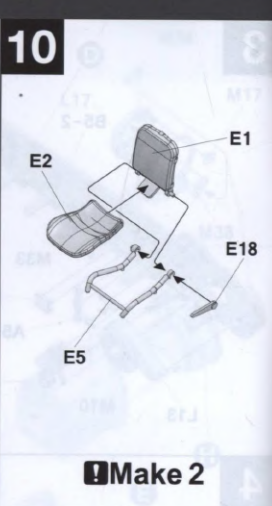
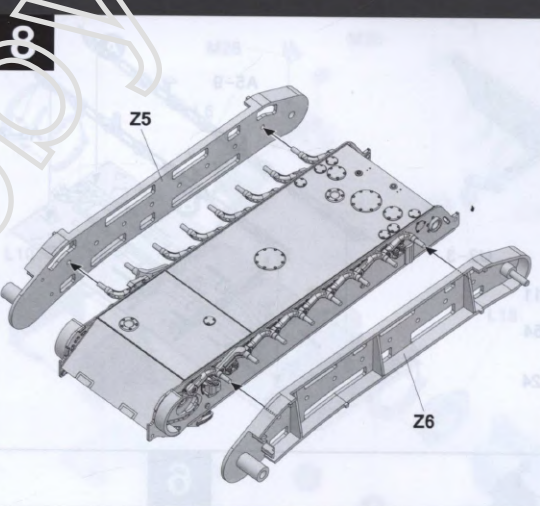
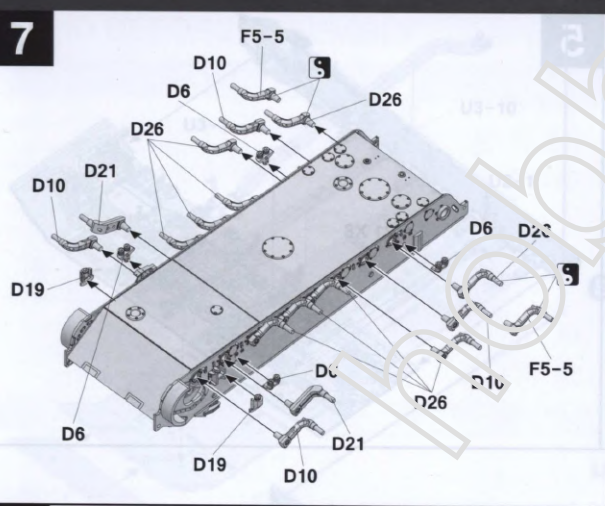
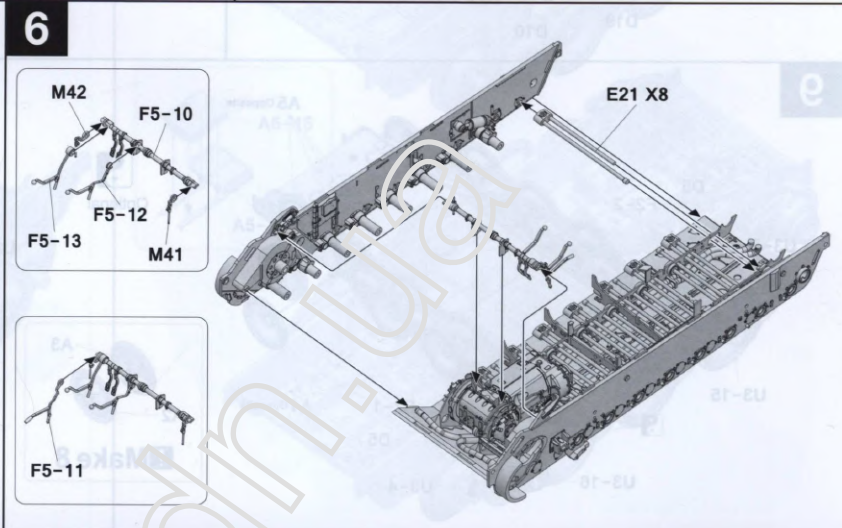
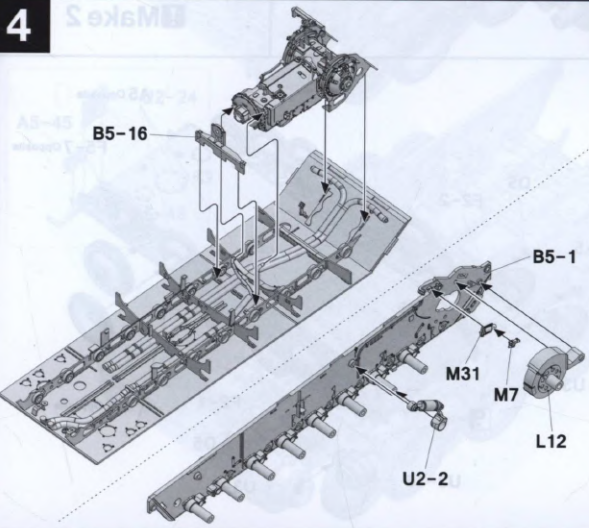
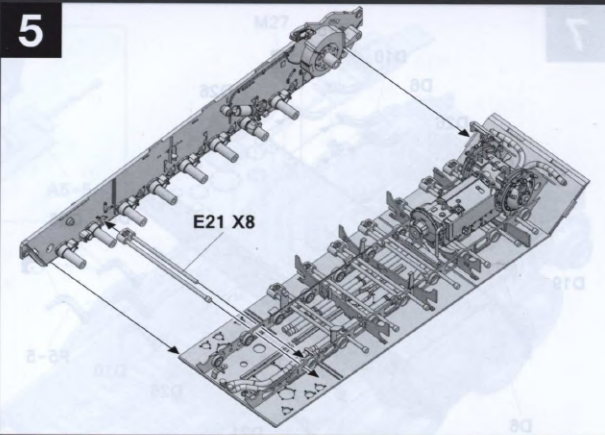
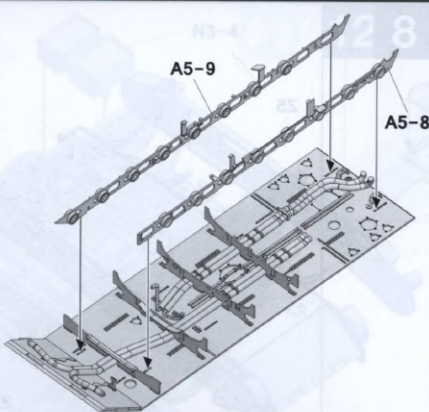
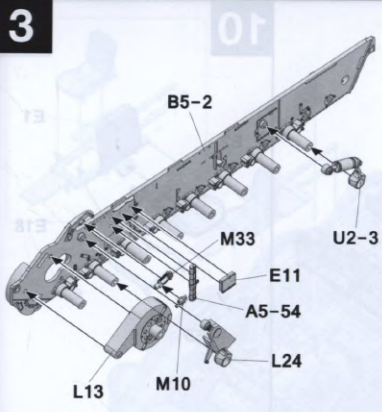


Finish using file.



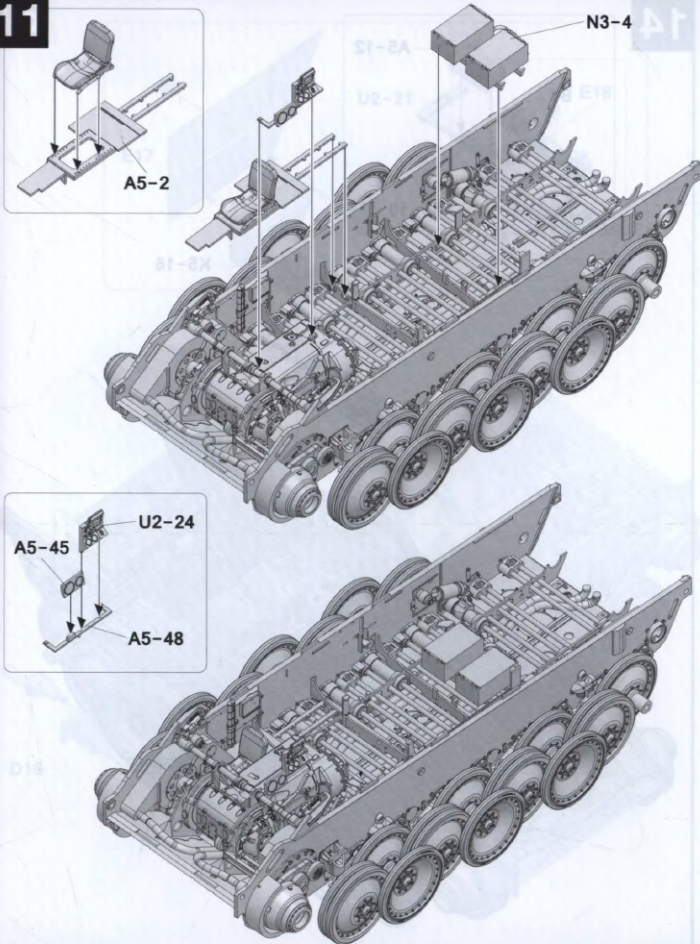




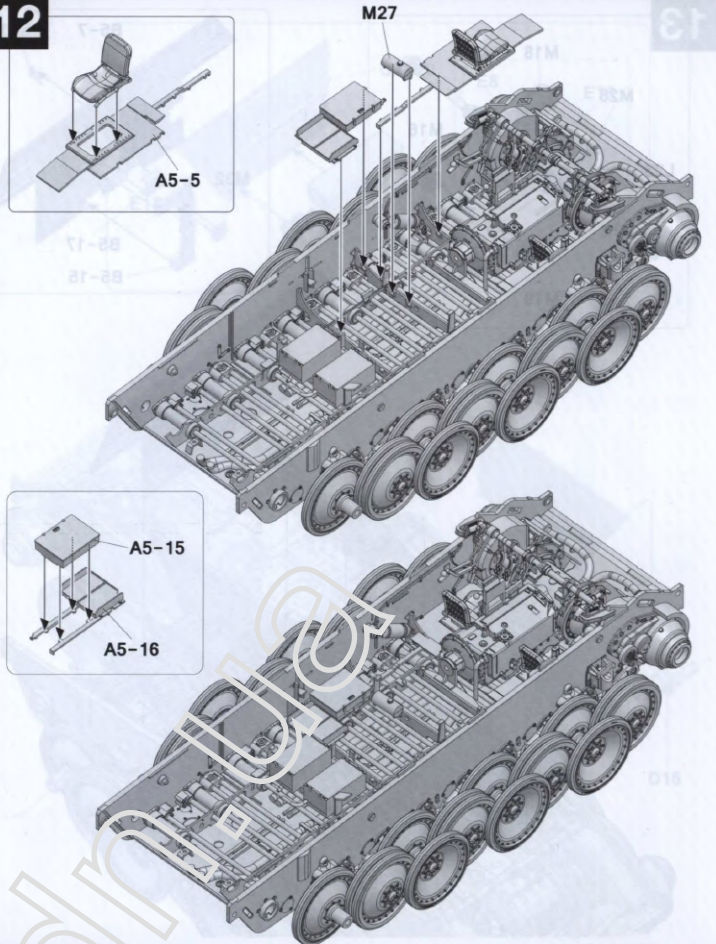




11

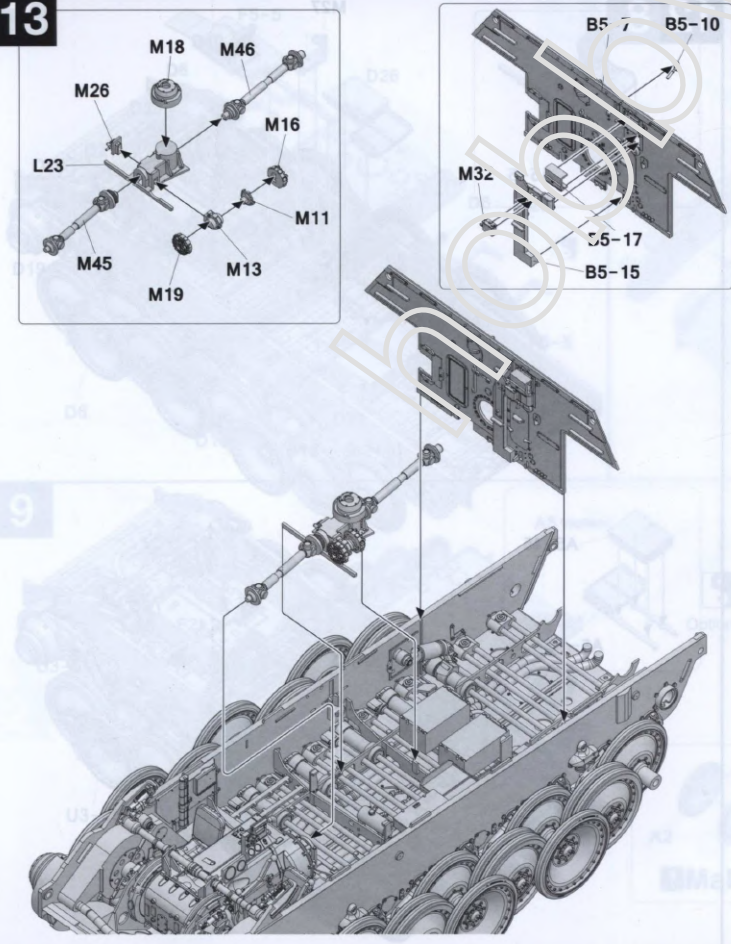


12

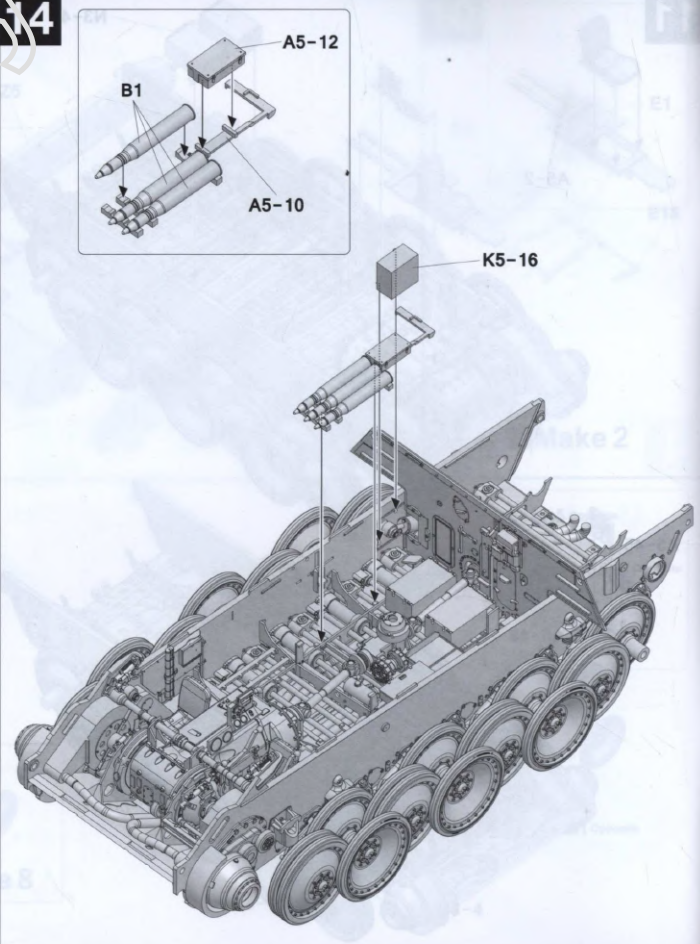


6

13



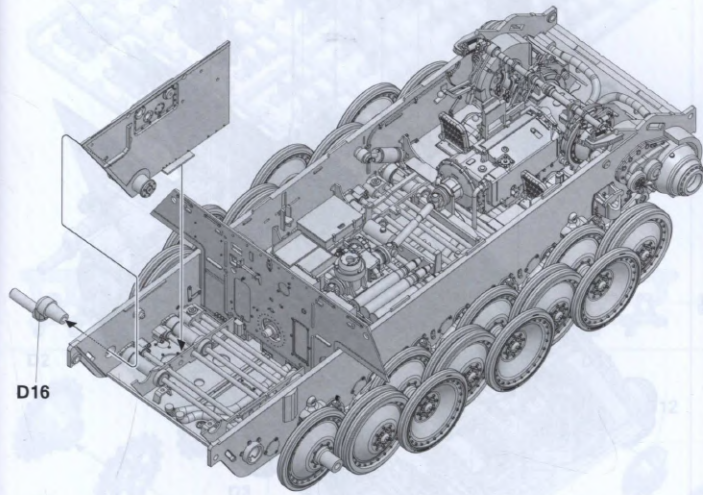
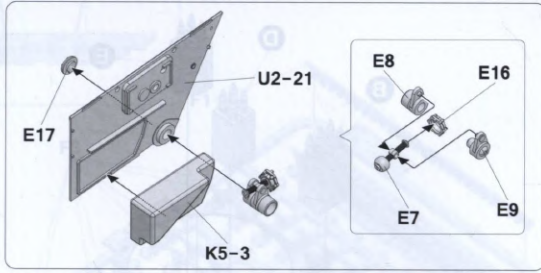
14



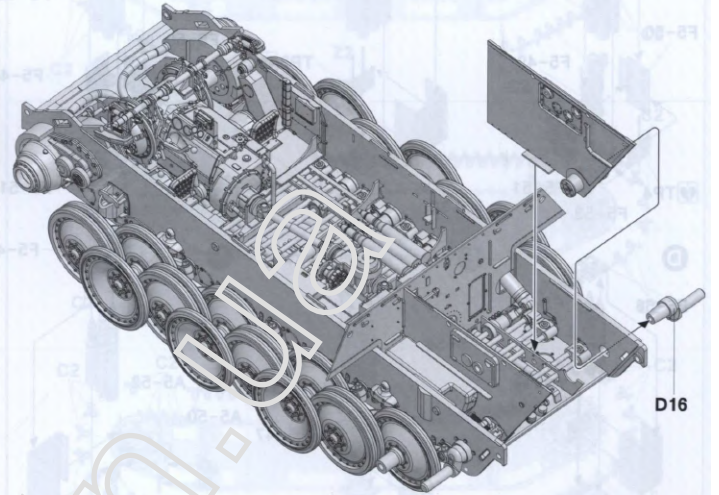
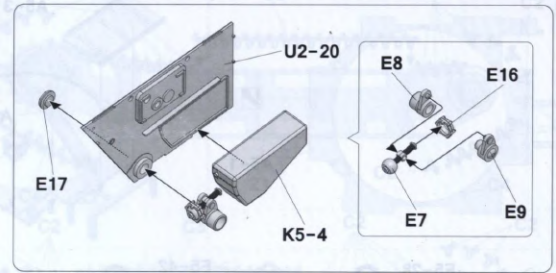
7



15

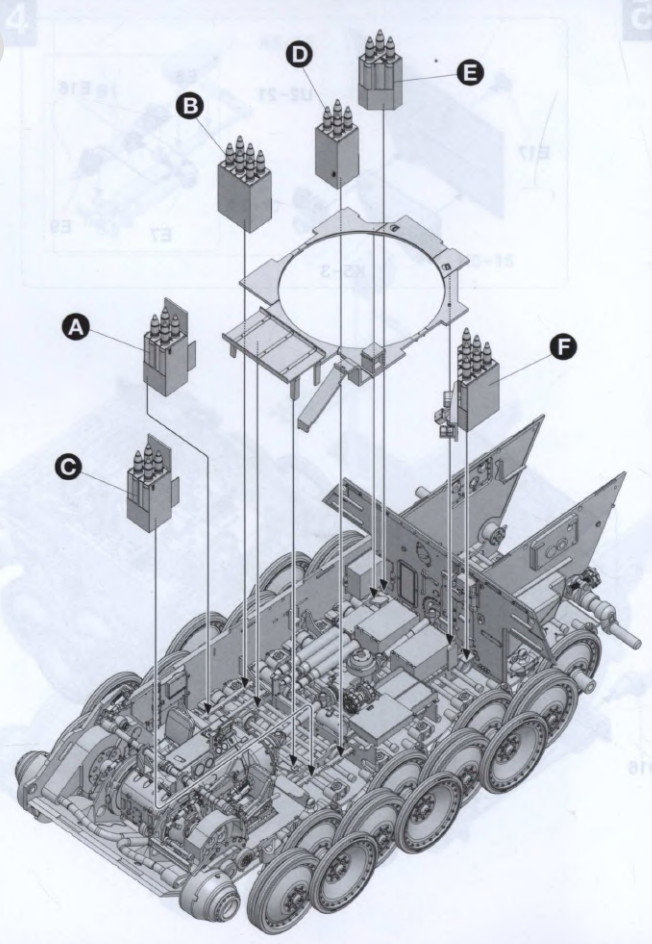
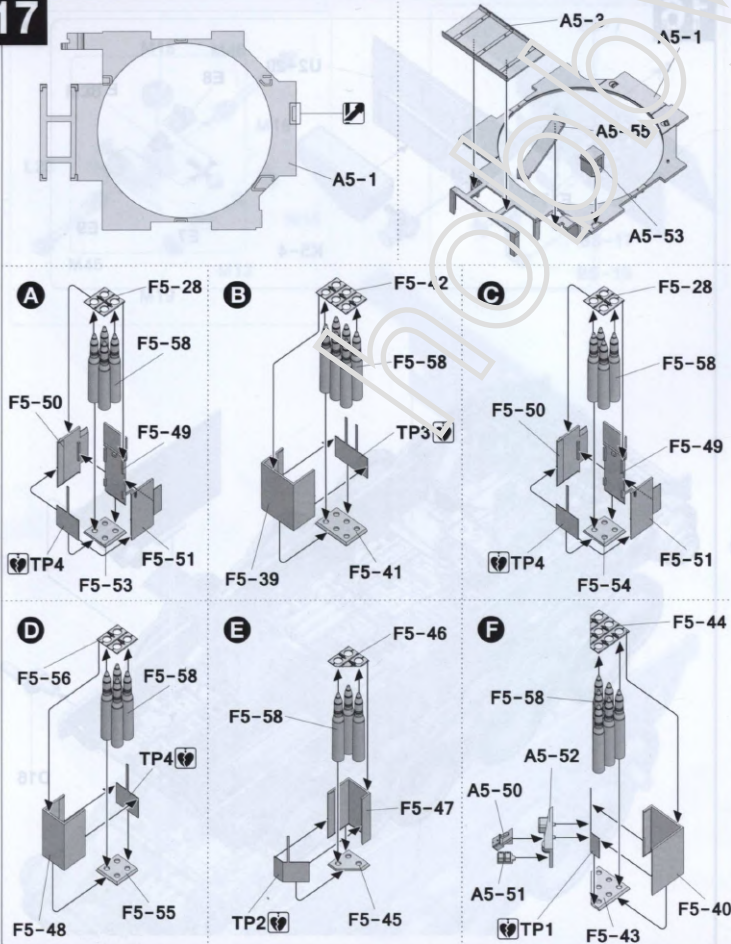


16



8

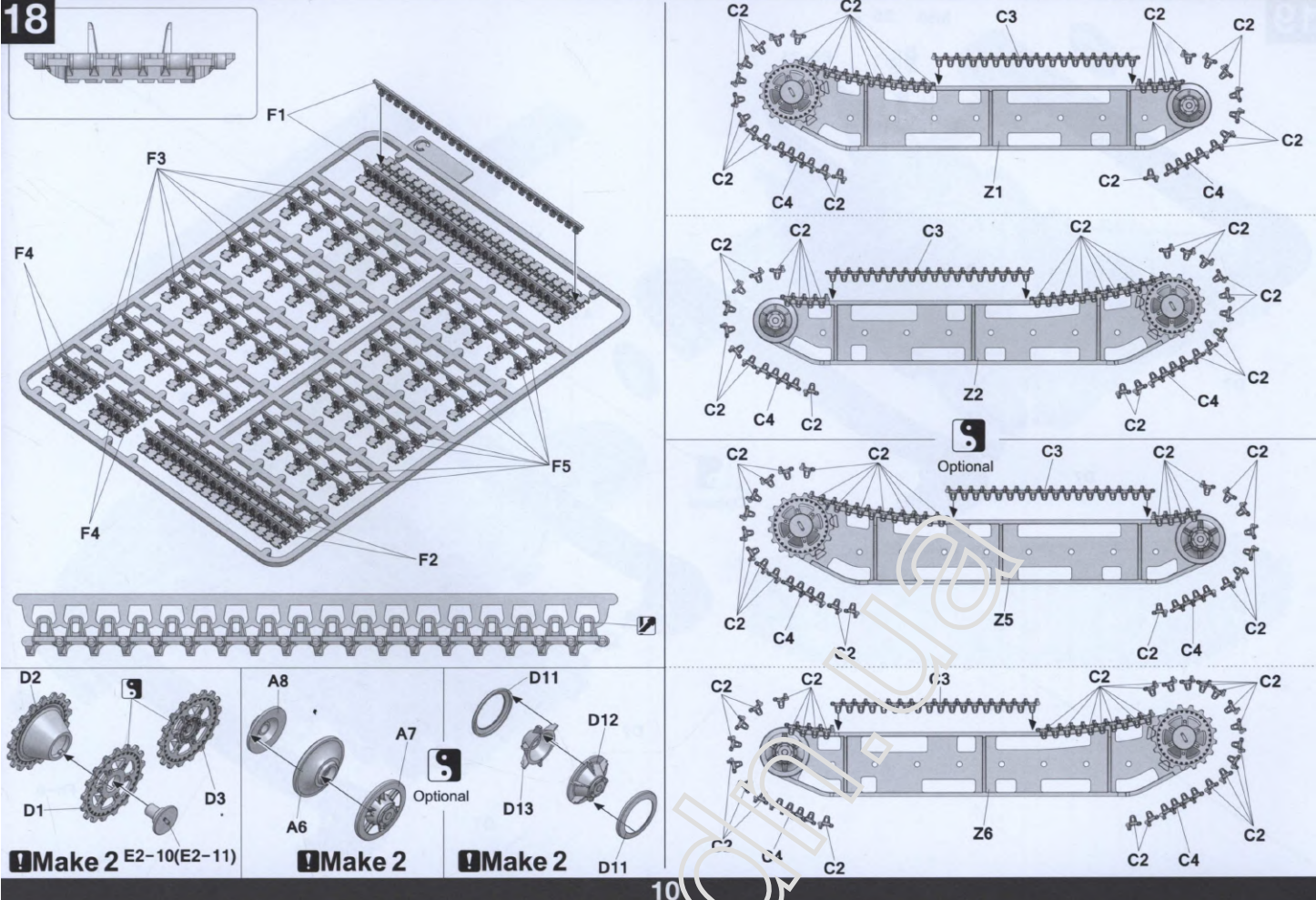
17



9

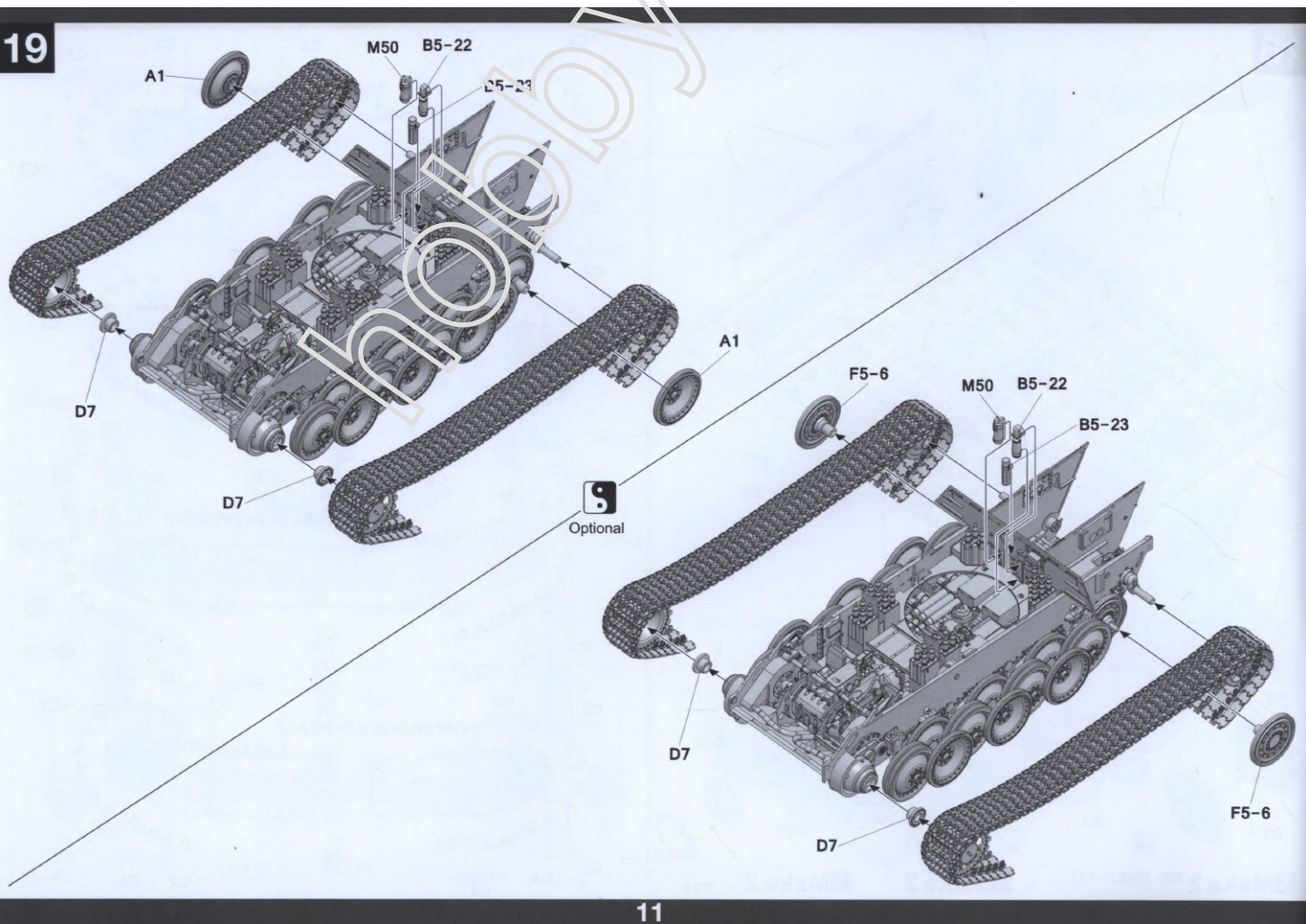


18



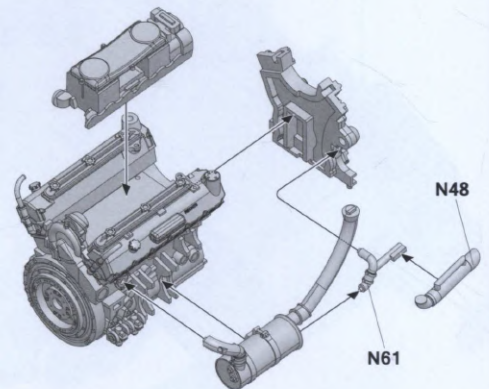
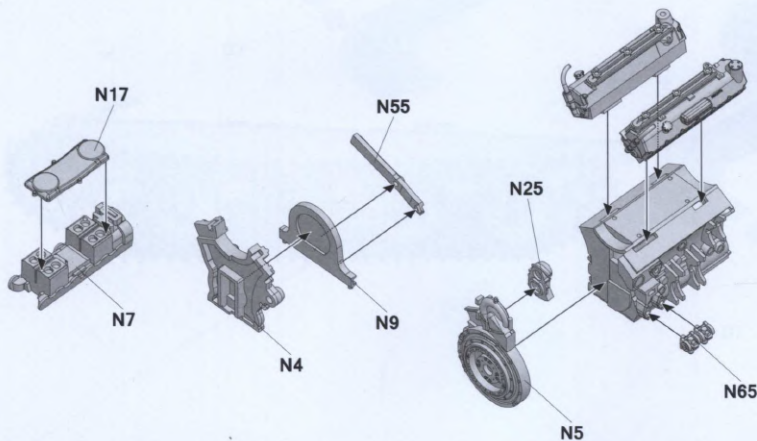
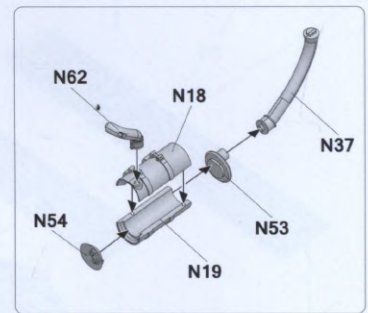
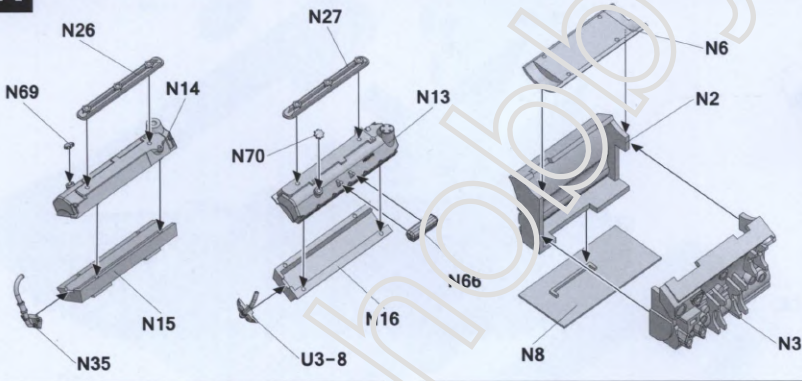
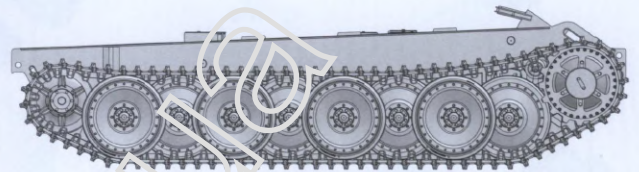
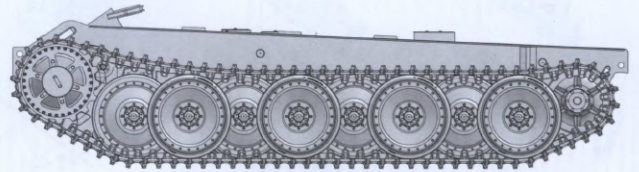
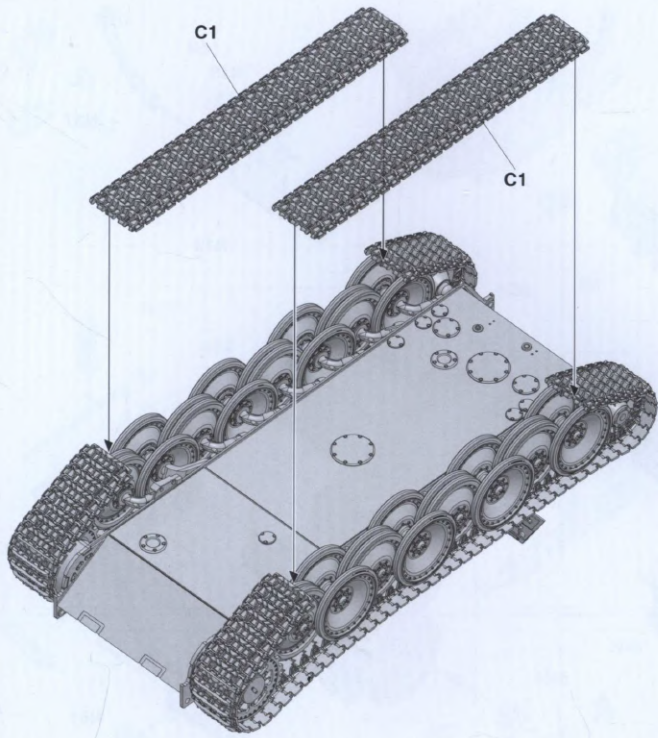
10

19



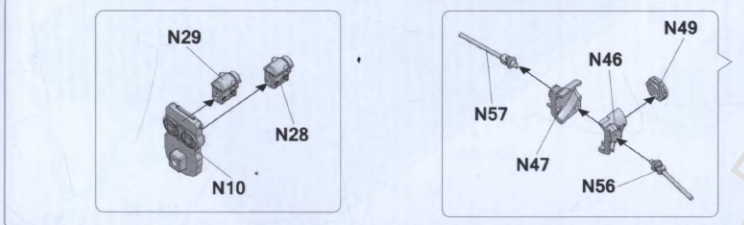
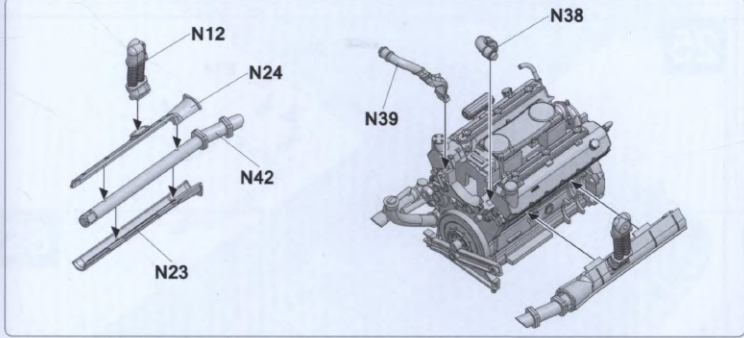
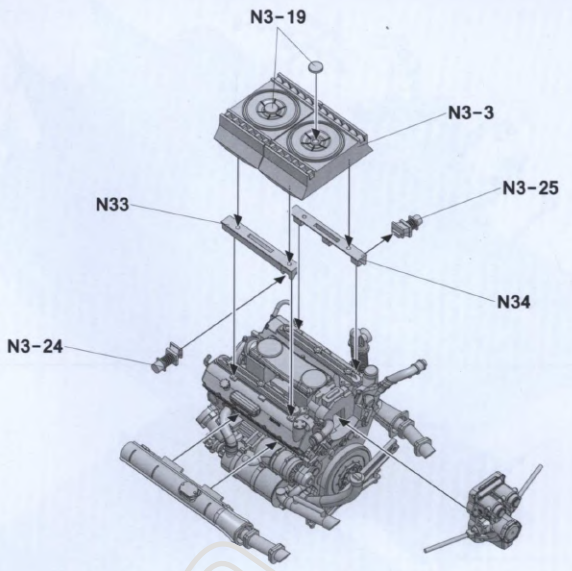
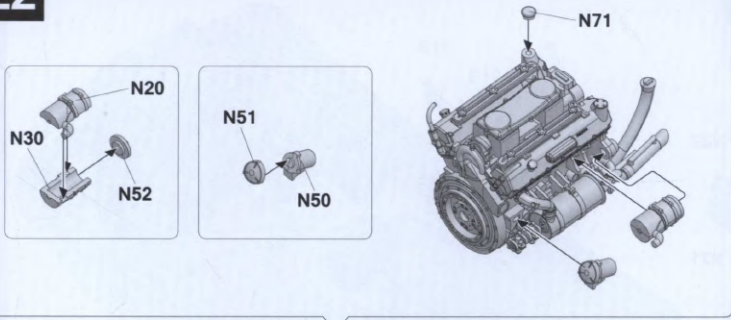
11





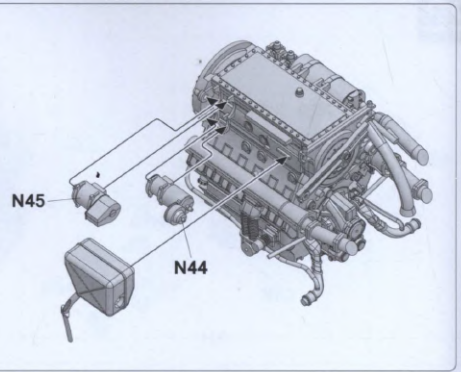
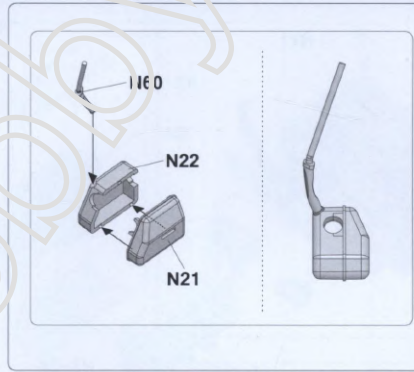
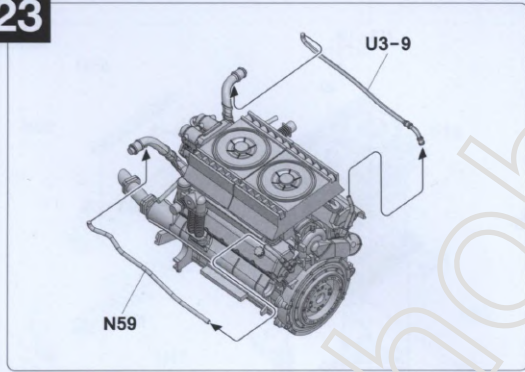


22

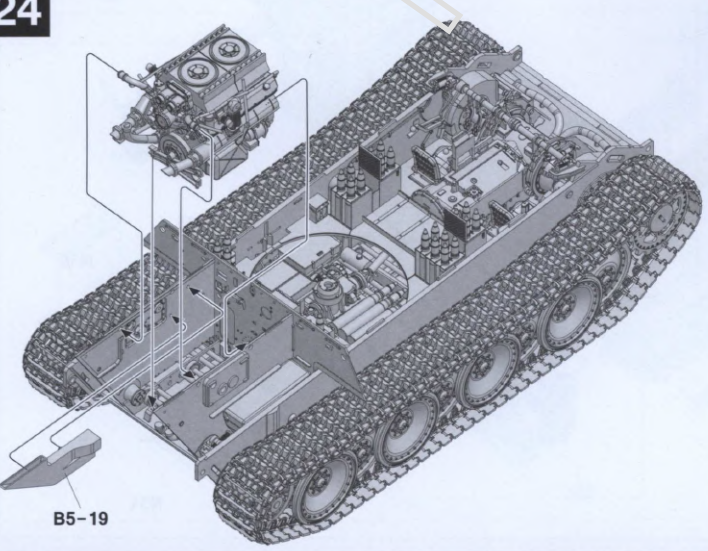


14

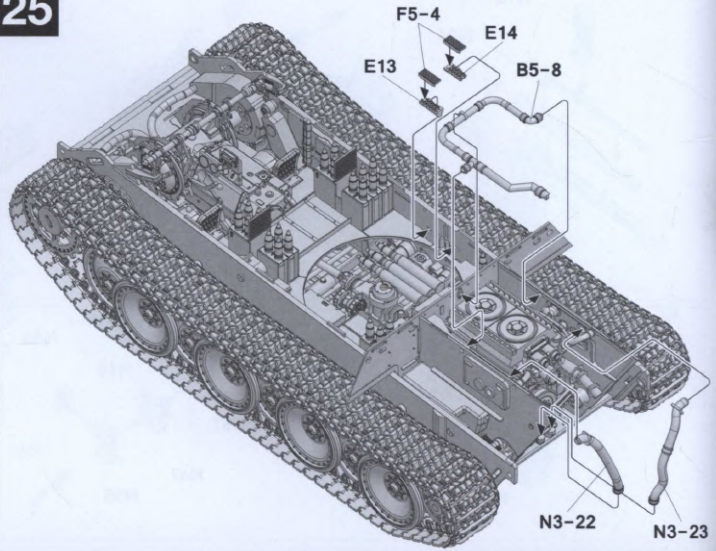
23



24



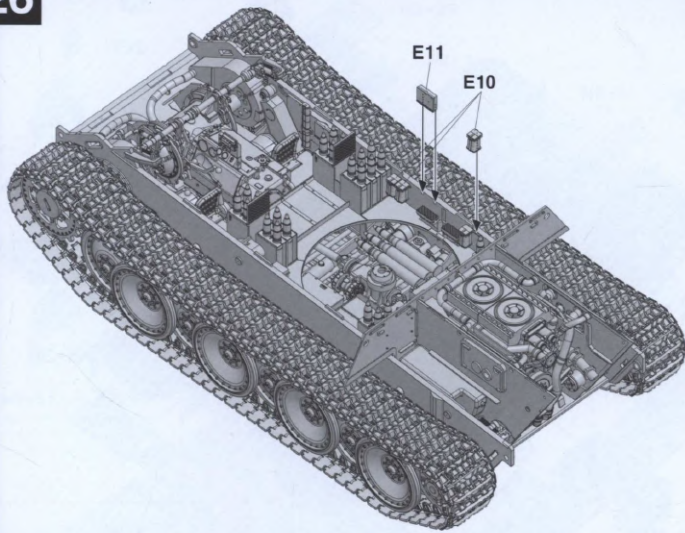
25



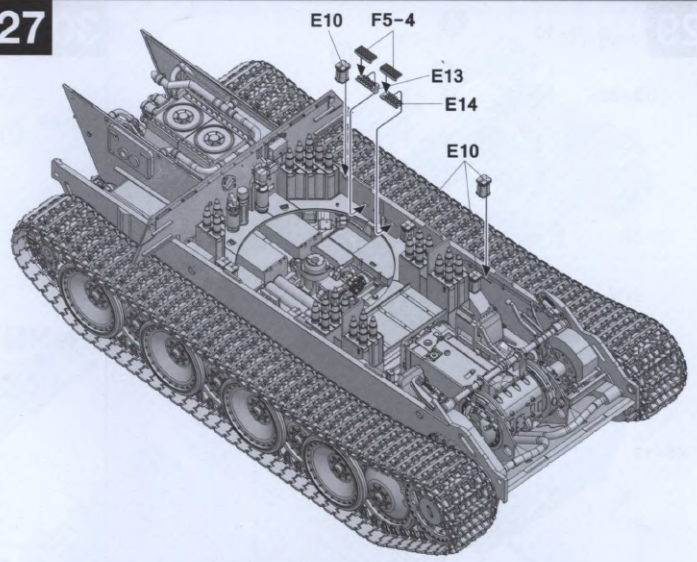
15



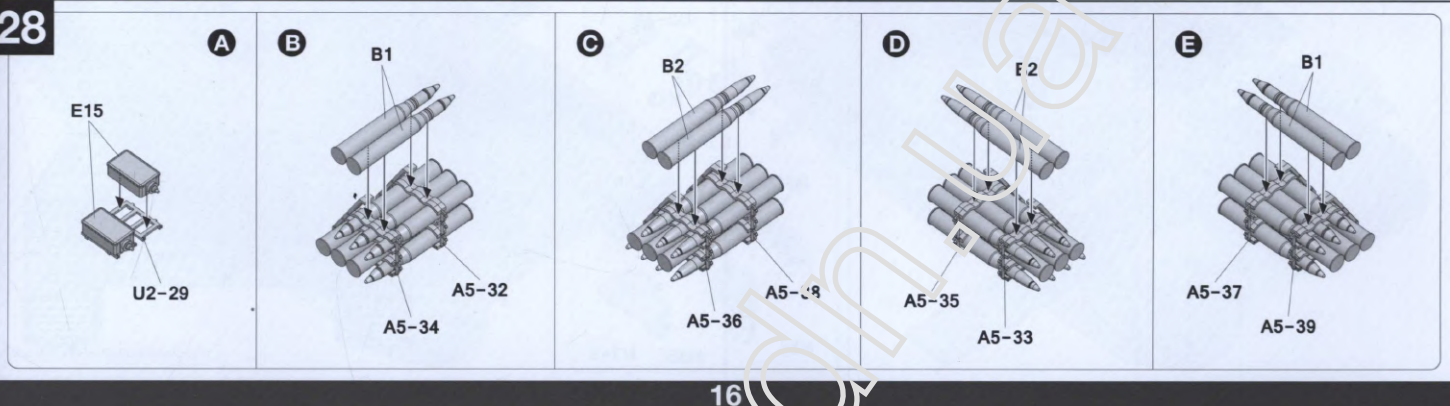
26



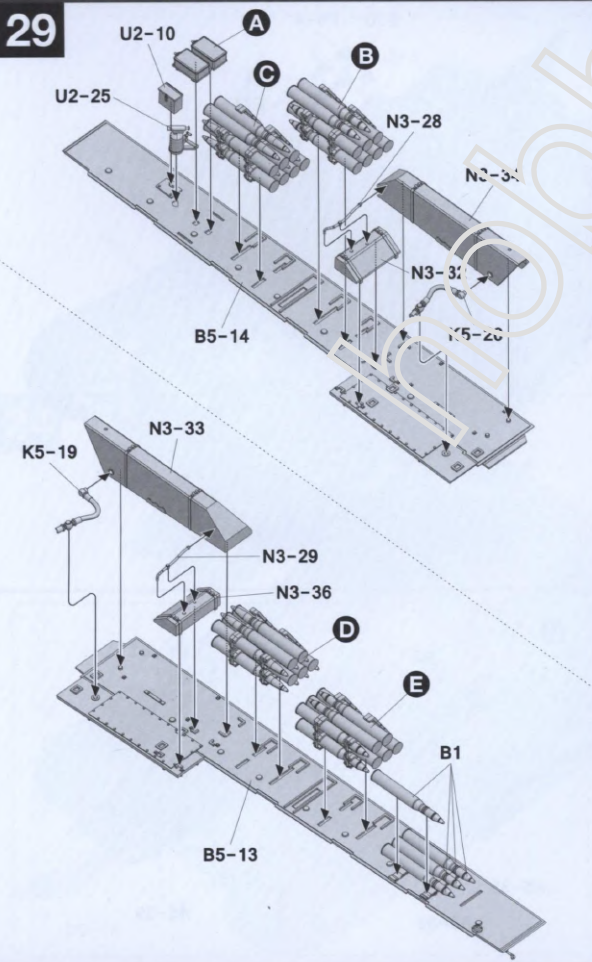
27



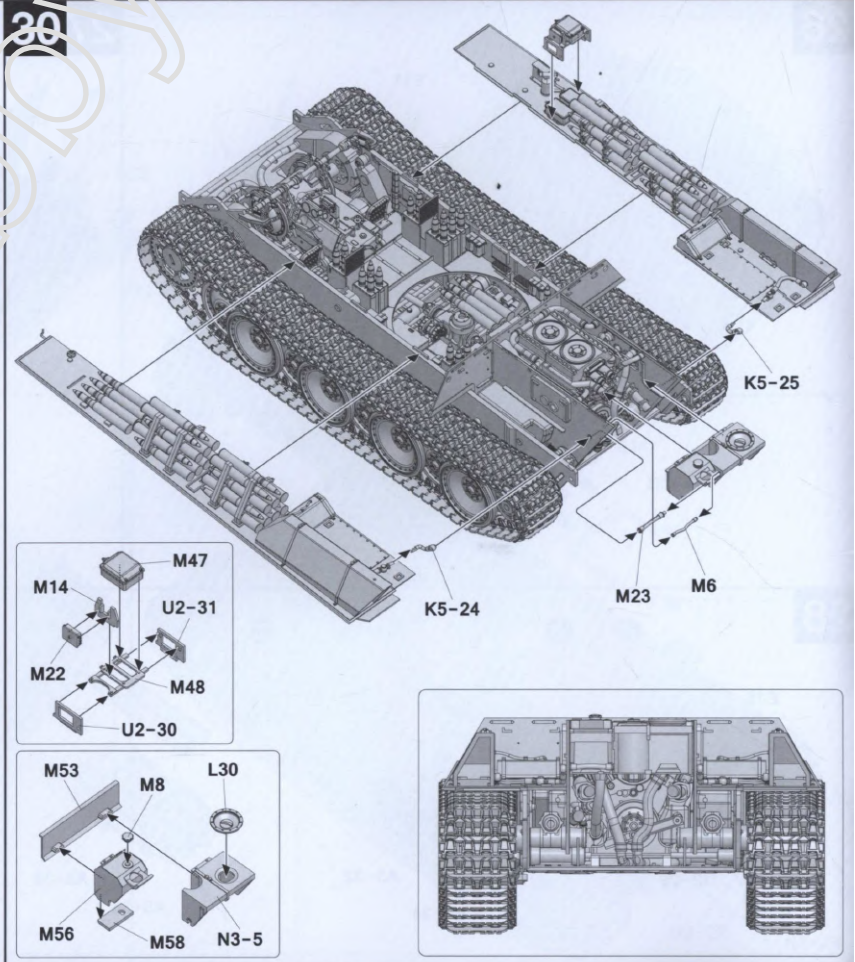
28



29



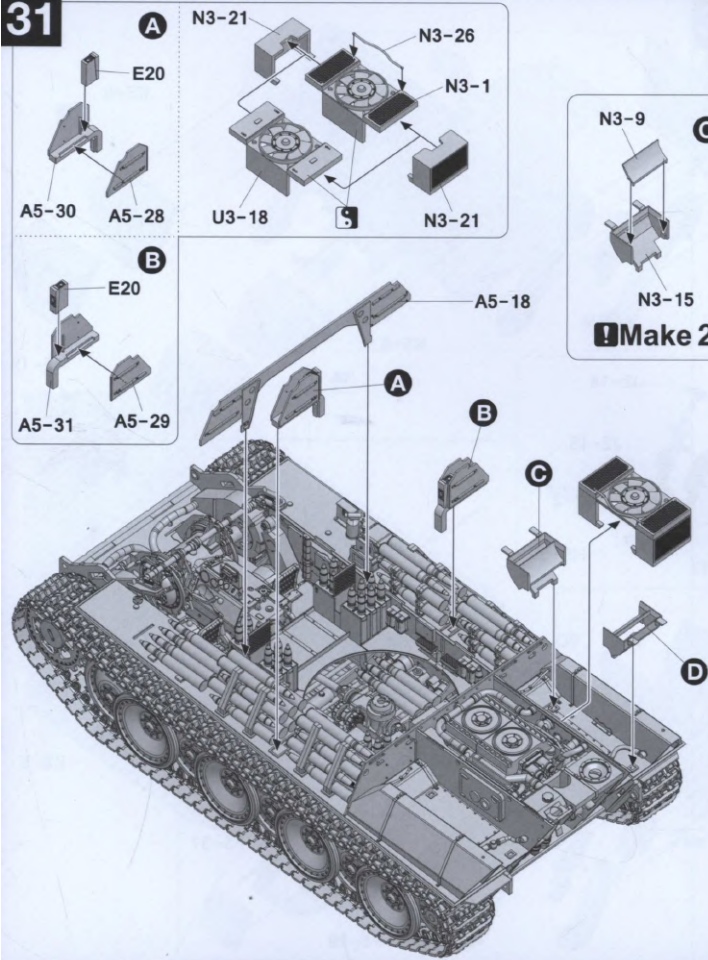
30



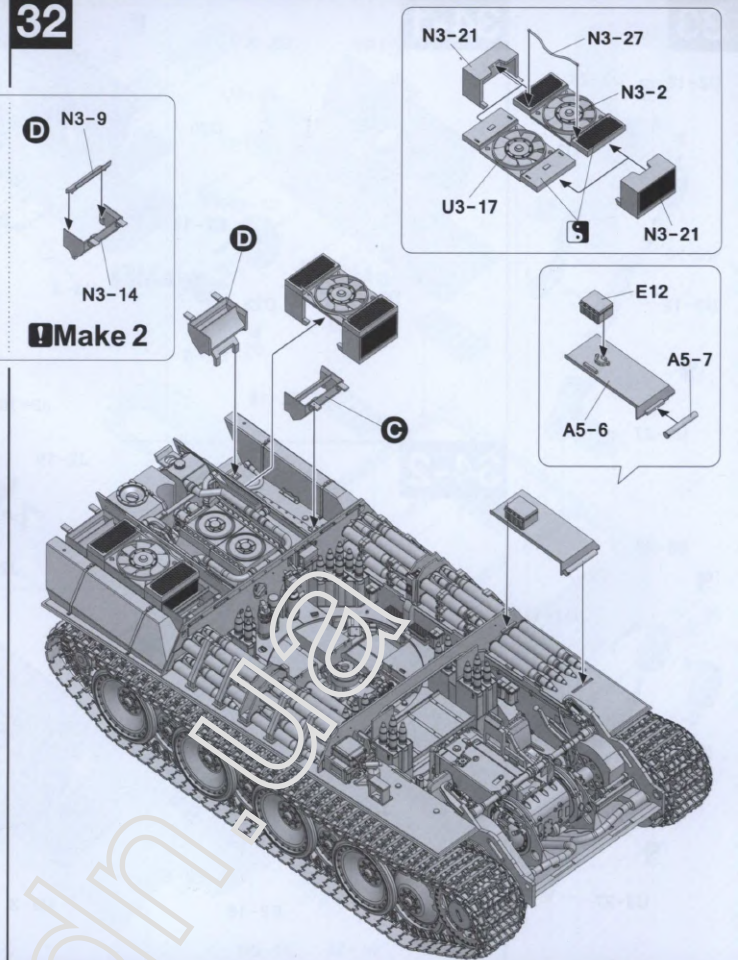
17



31

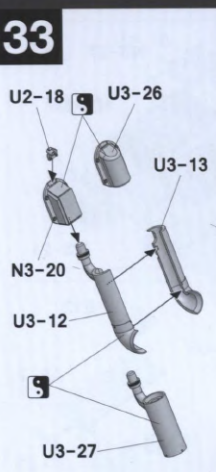


32

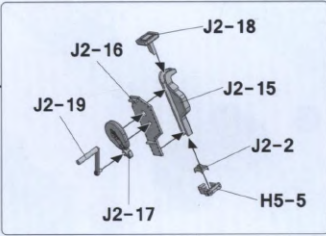
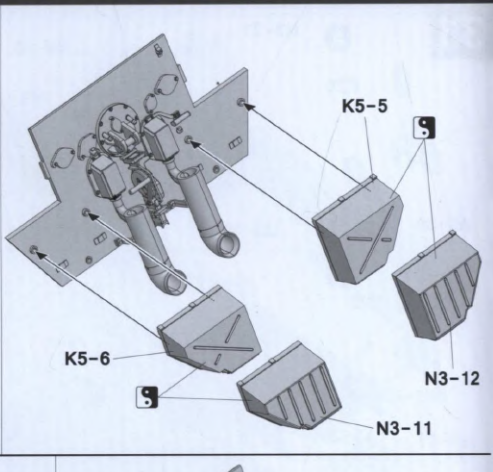
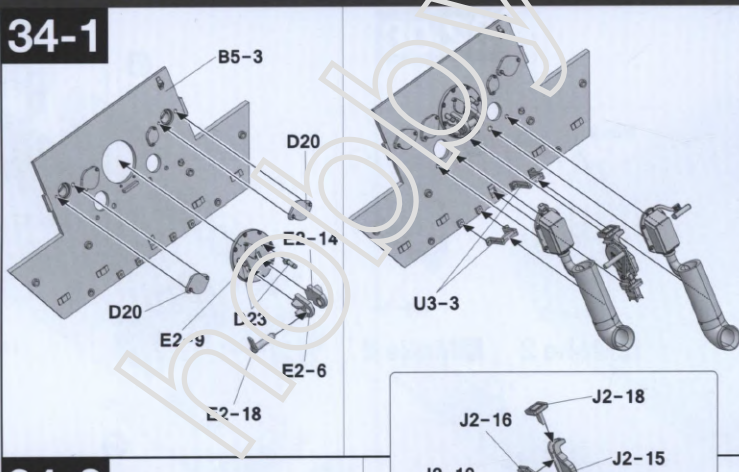


18

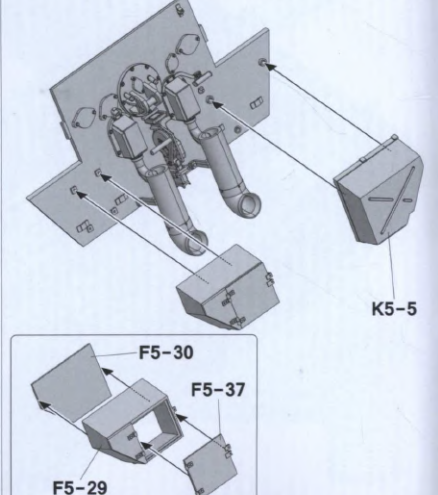
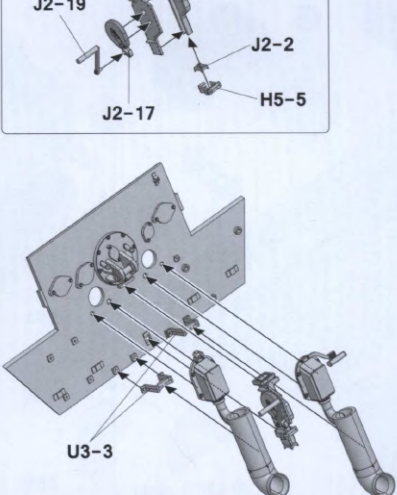
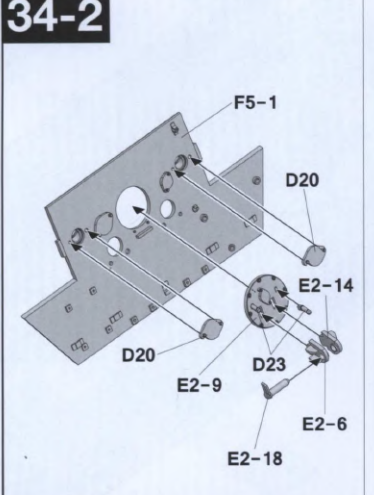
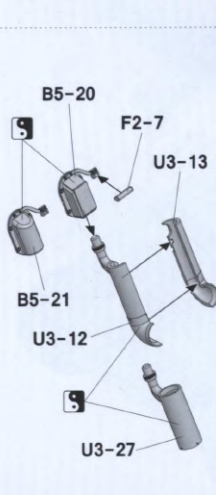
33



34-1



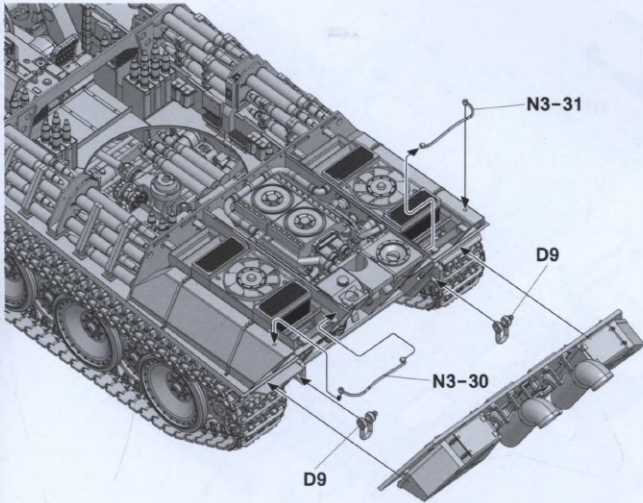
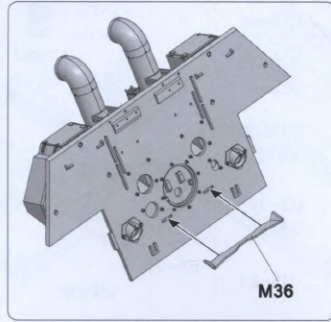
34-2



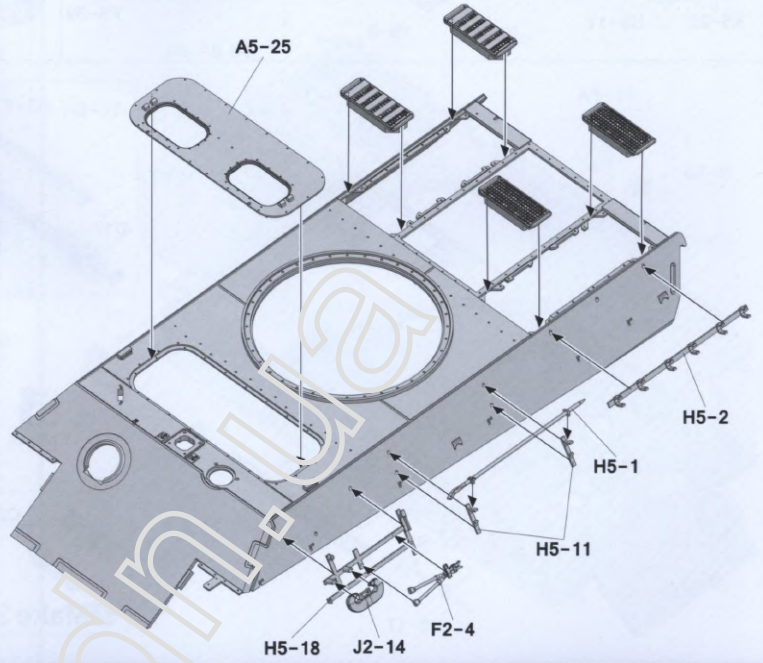
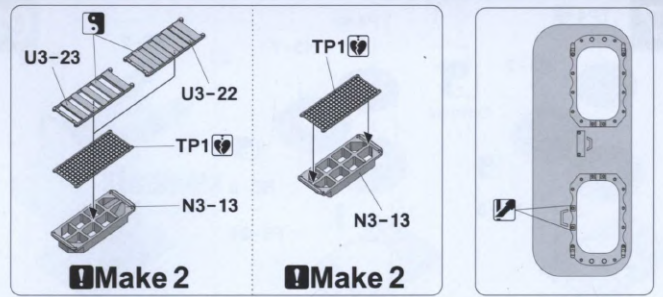
19



35

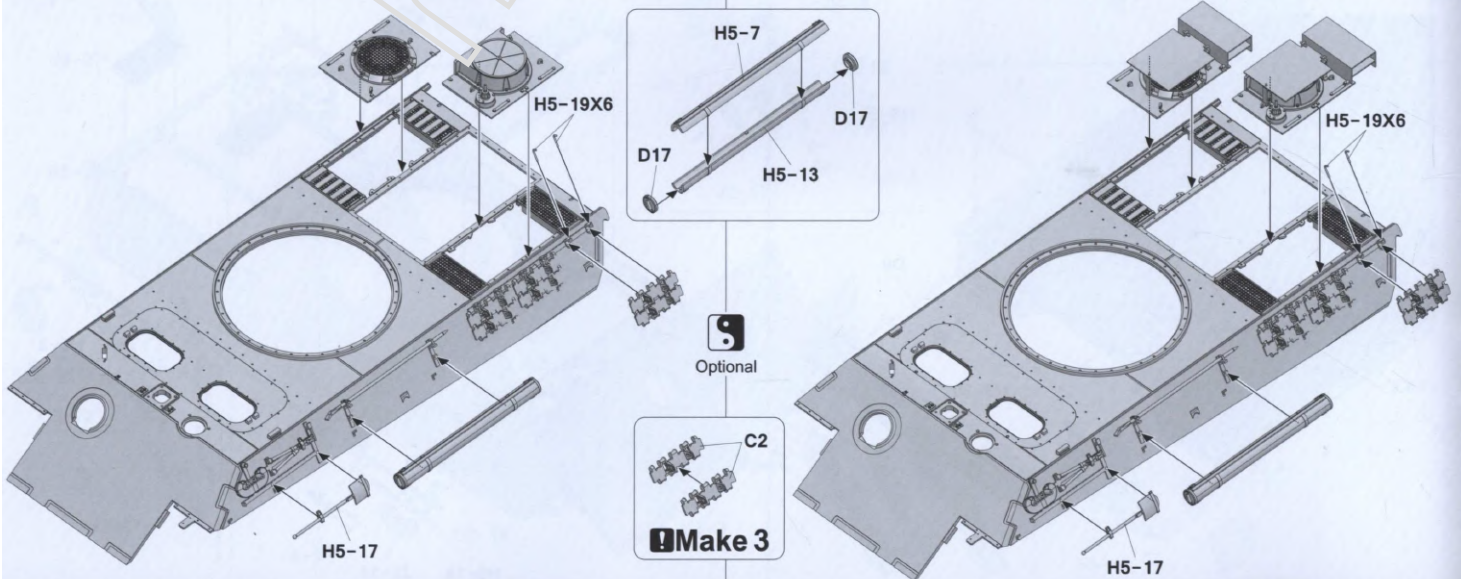
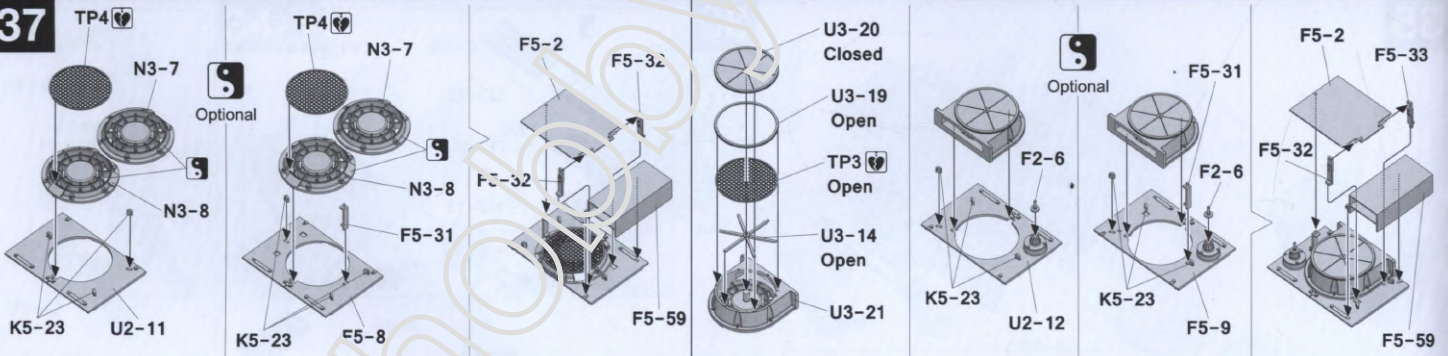


36



20

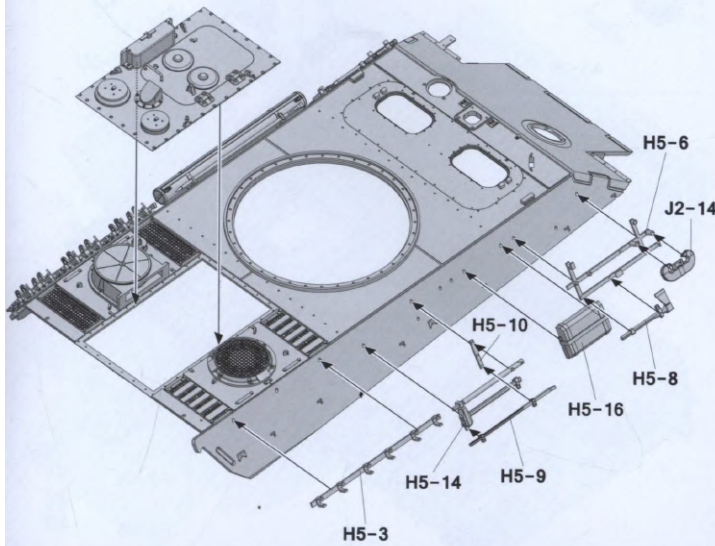
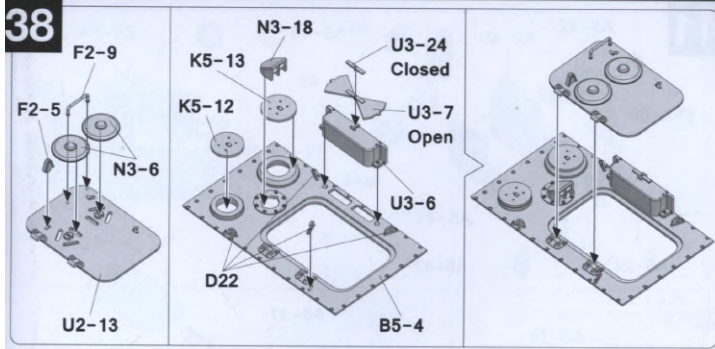
37



21

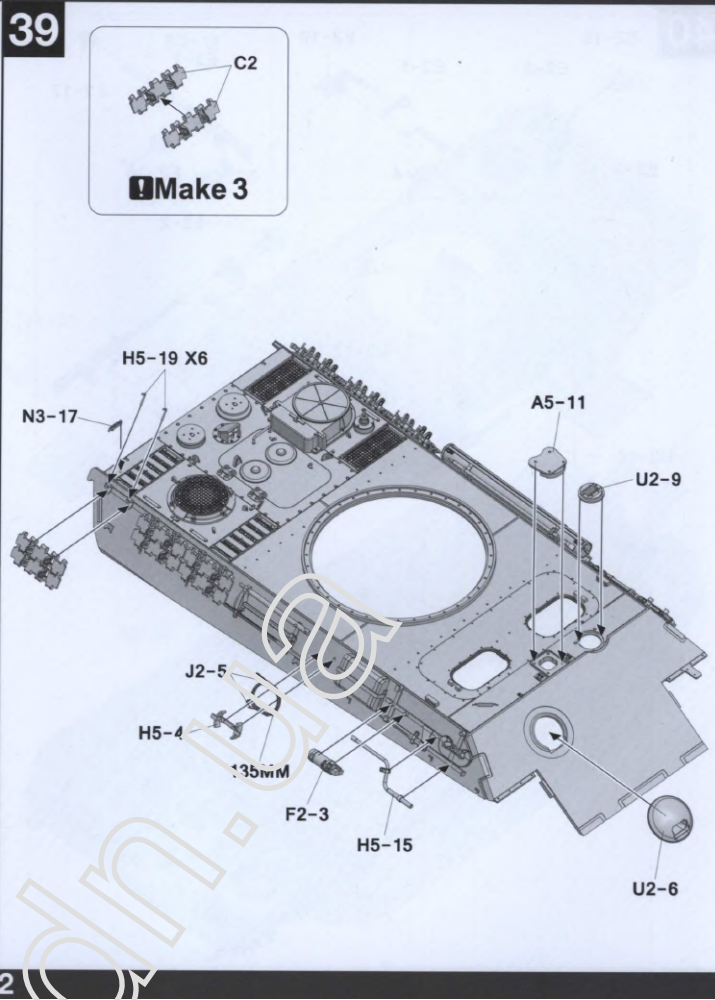


38

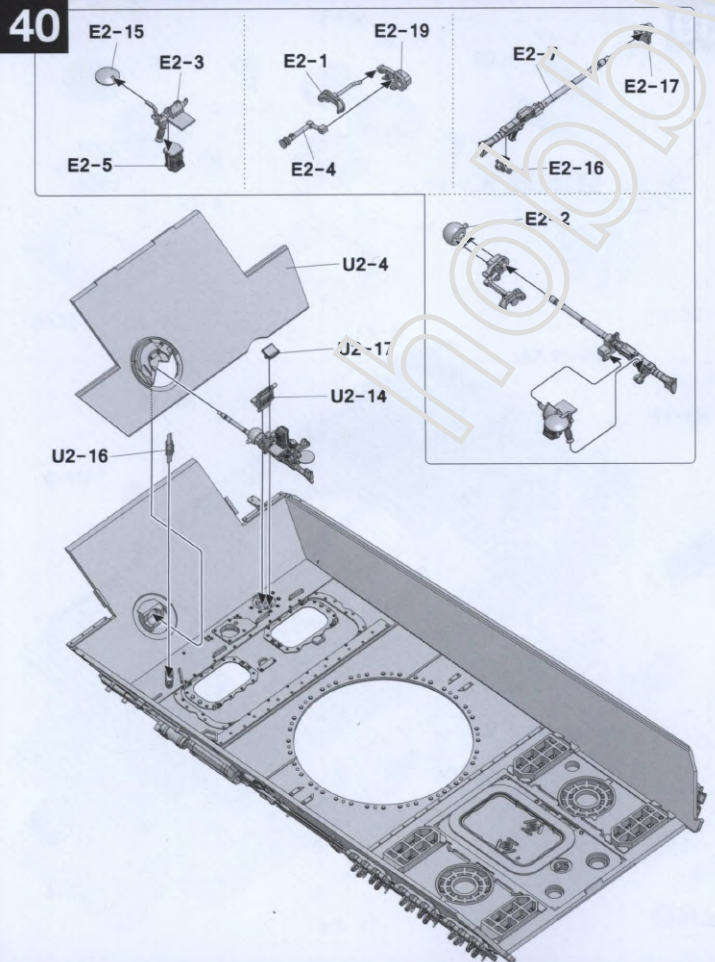


22

39

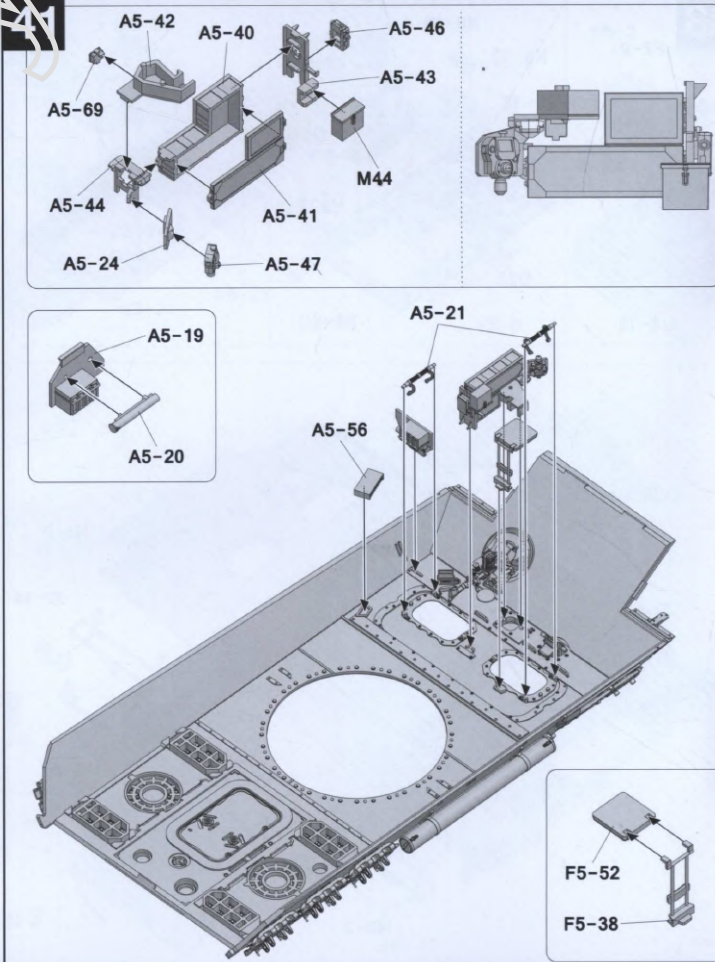


40



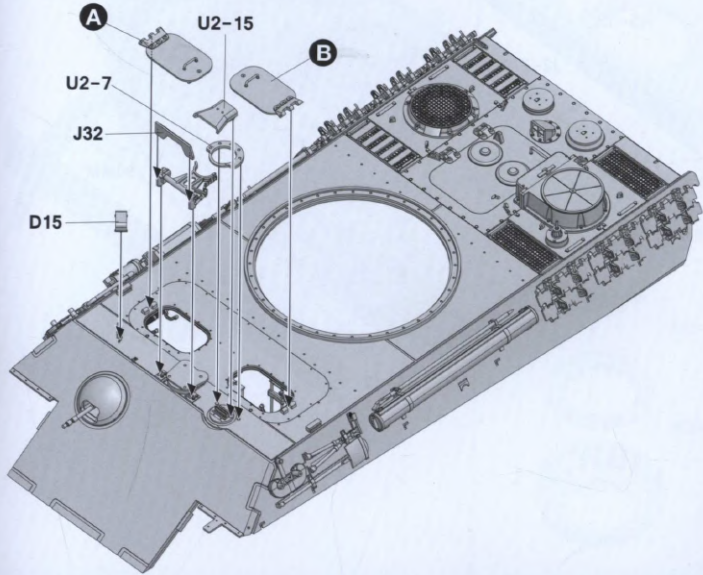
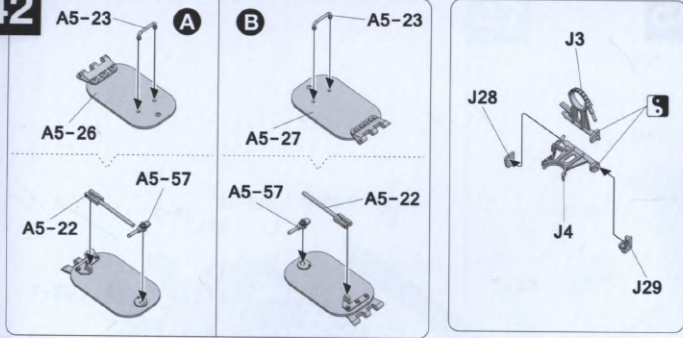
23

41



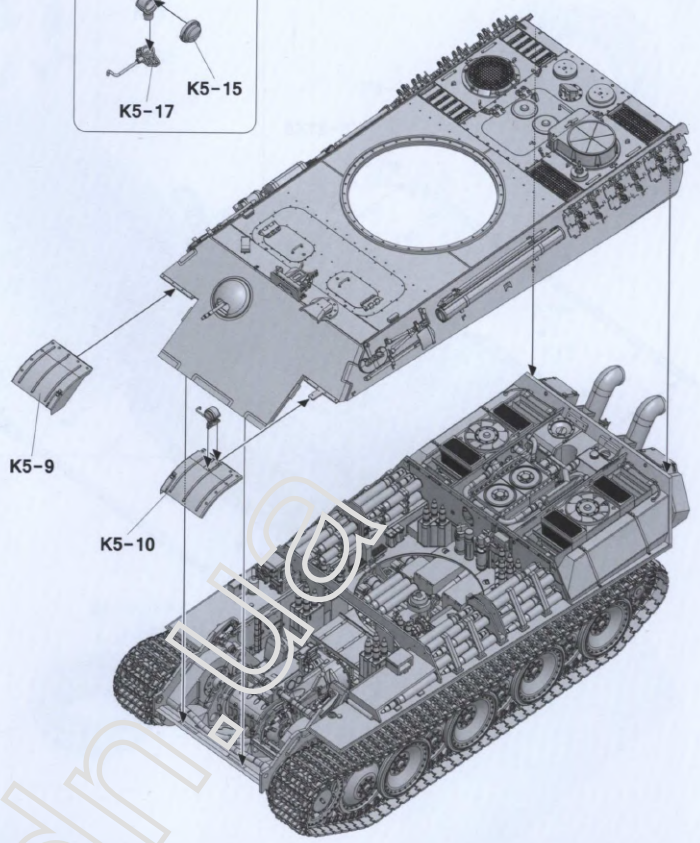
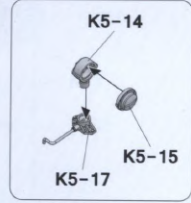


42

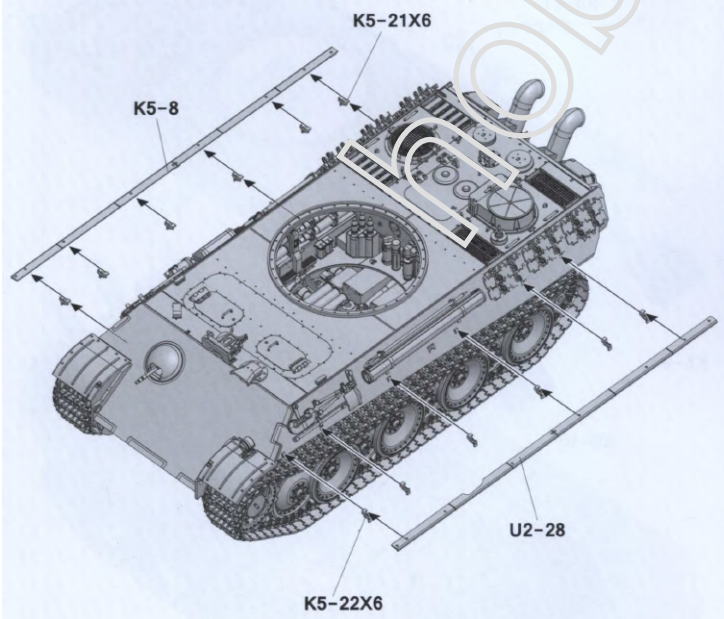


24

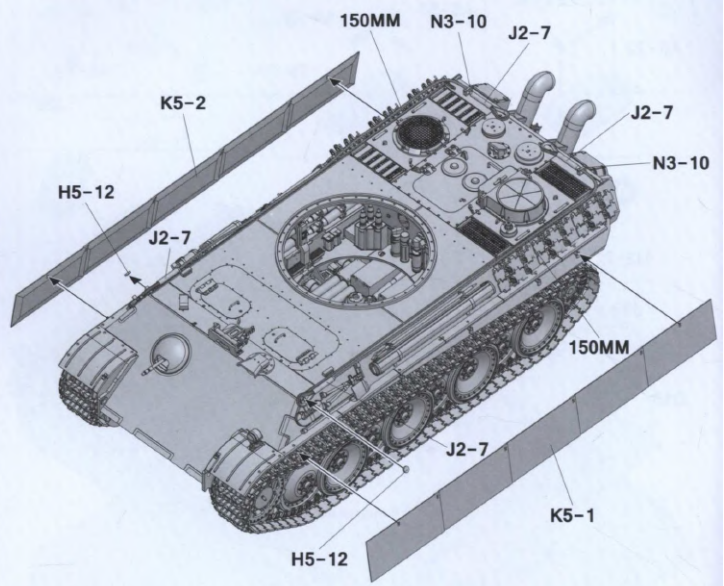
43



44



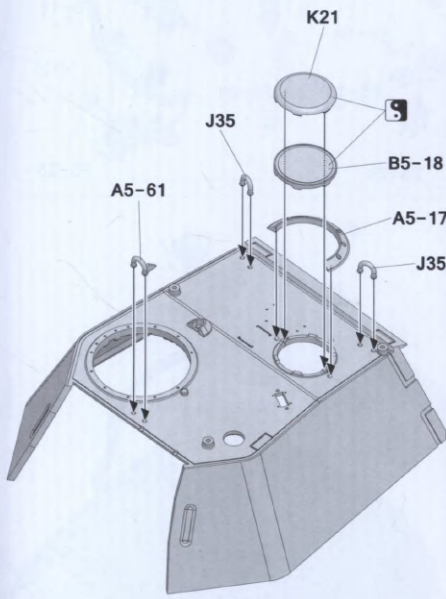
45



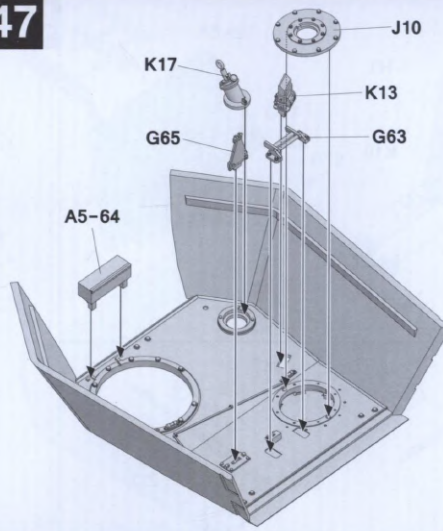
25



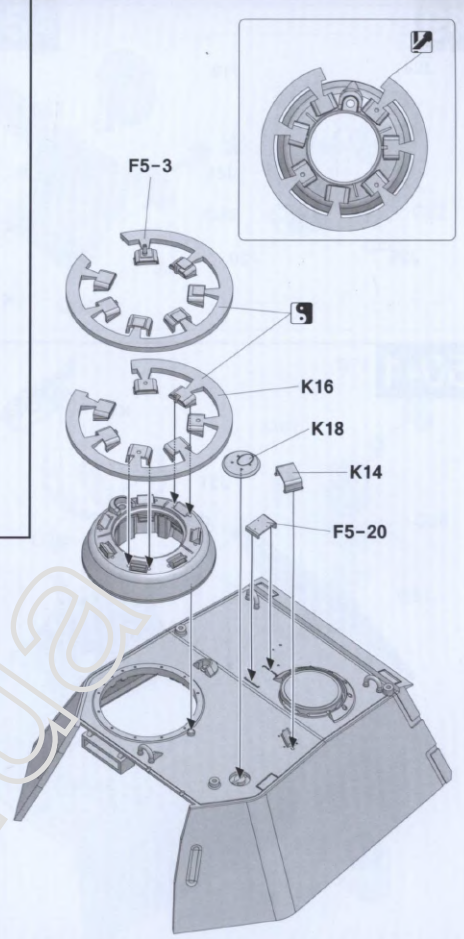
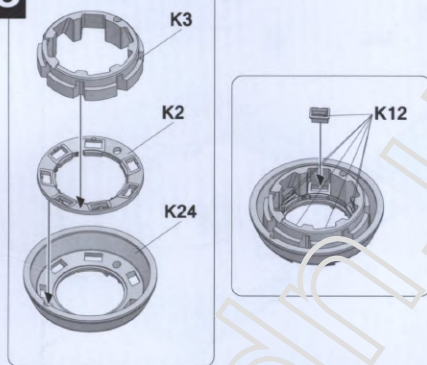
46



47

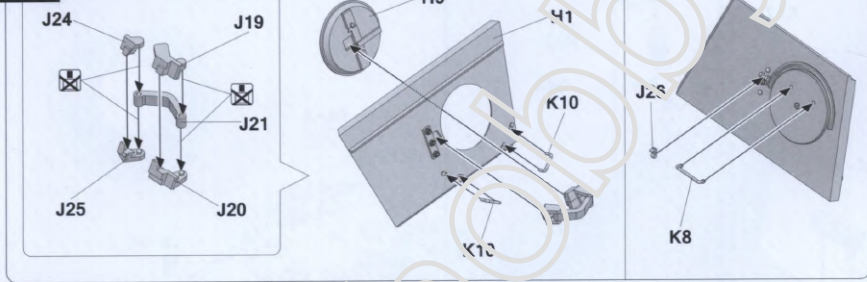


48

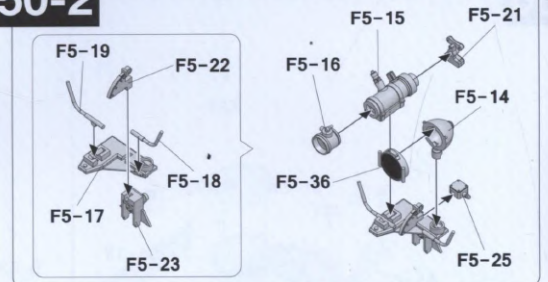


26

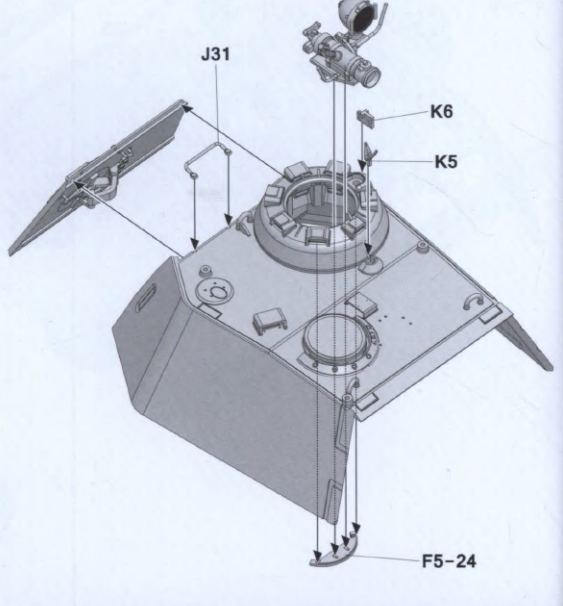
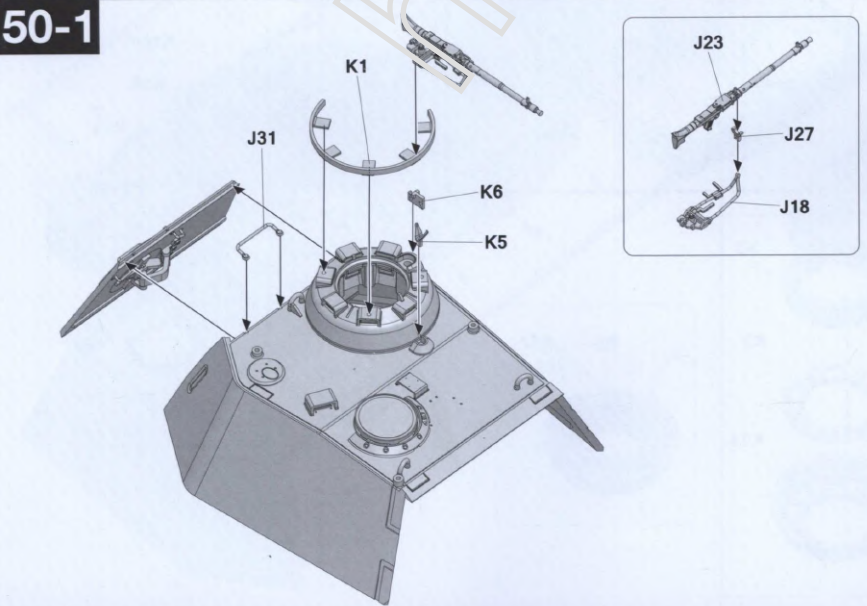
49



50-2



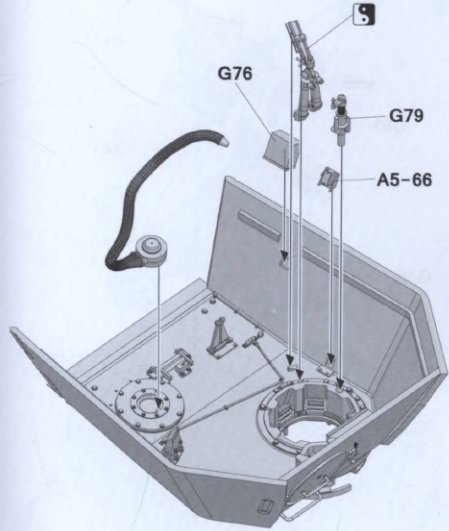
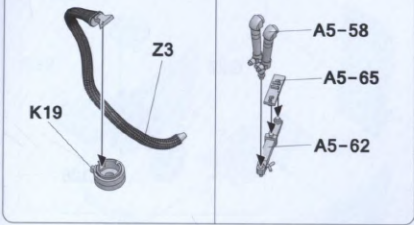
50-1



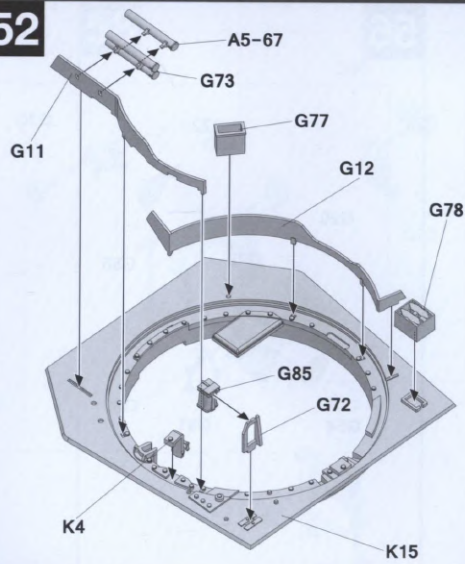
27



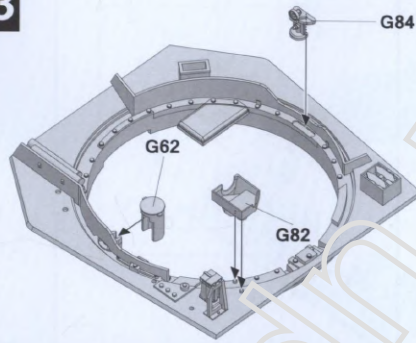
51



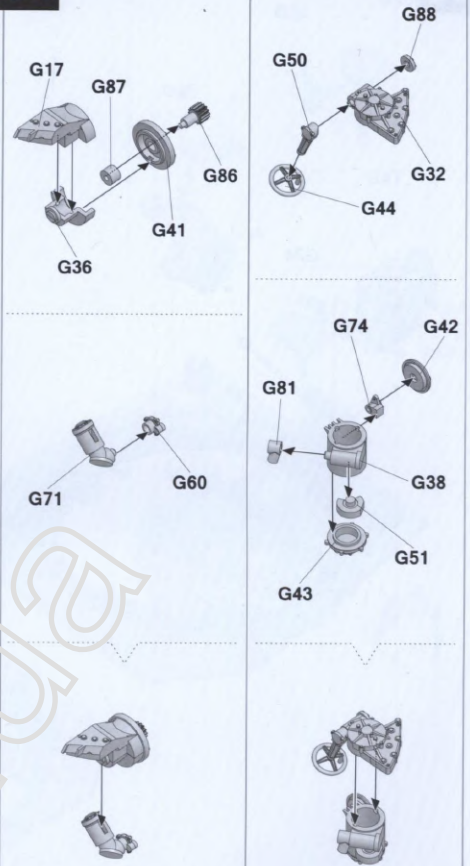
52



53

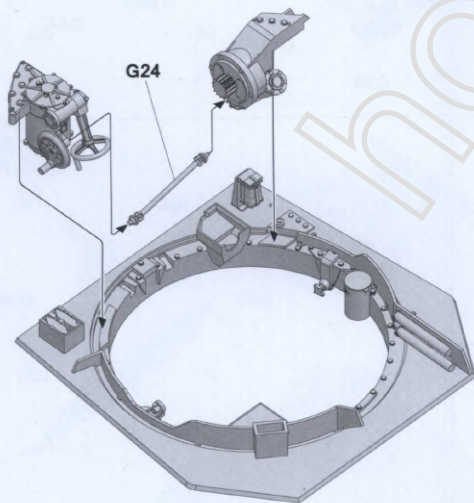


54

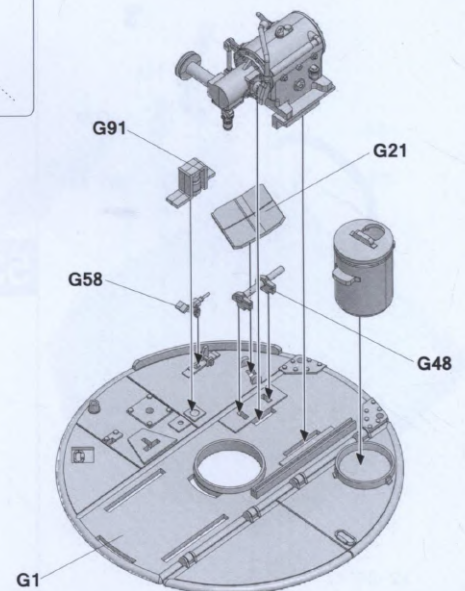
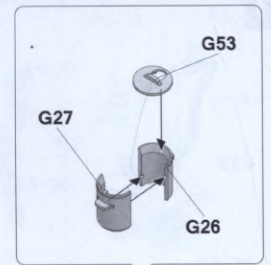
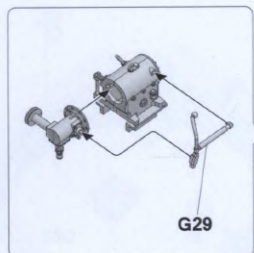
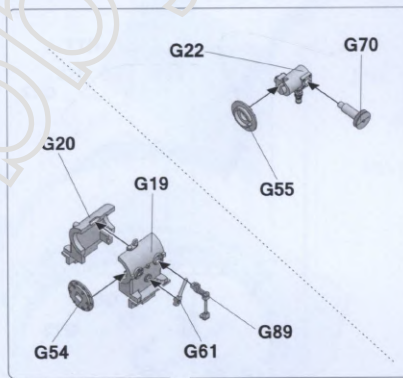


28

55



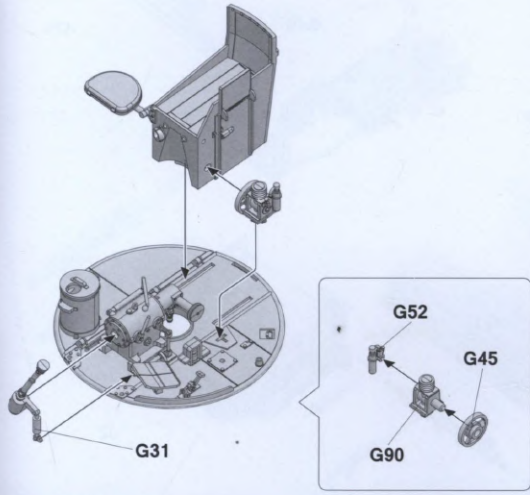
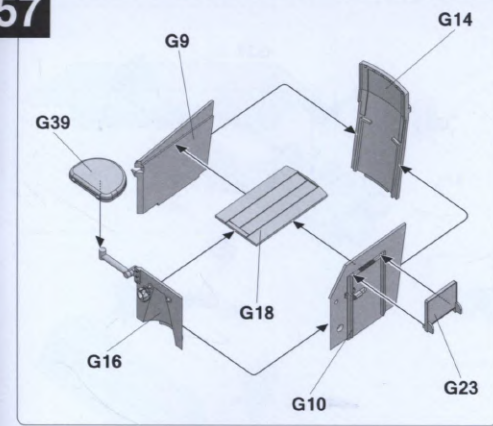
56



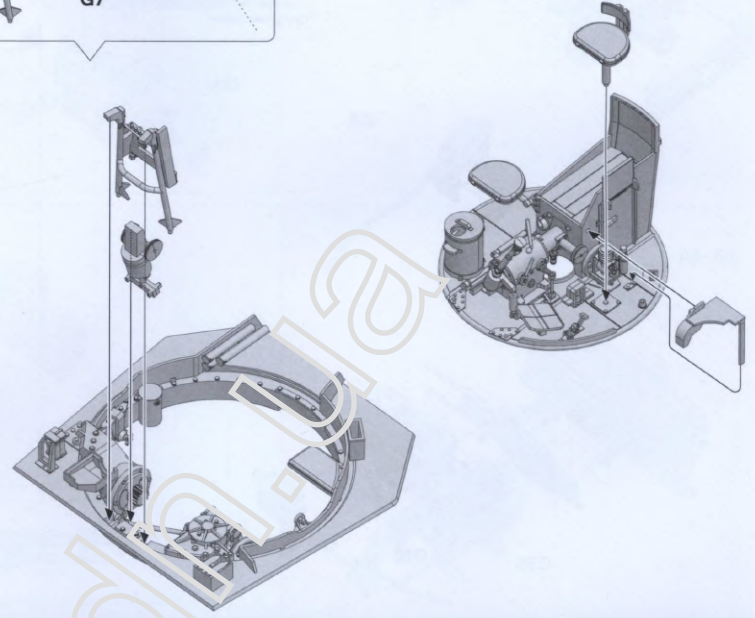
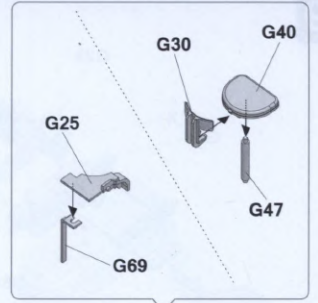
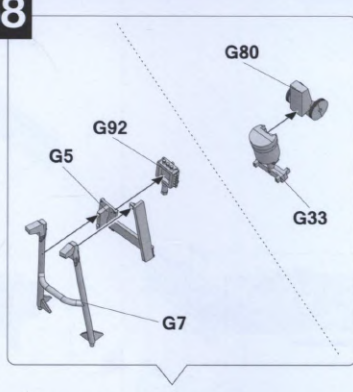
29



57

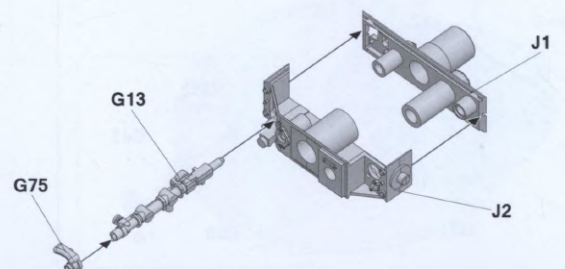
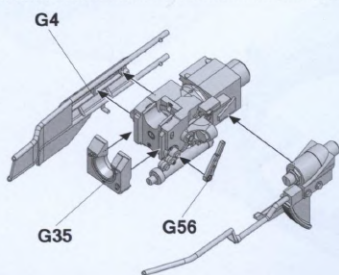
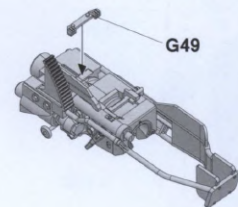
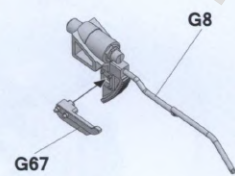
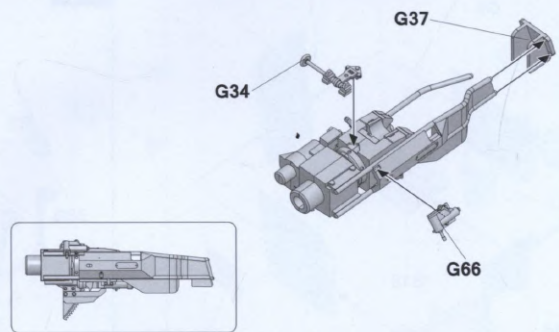
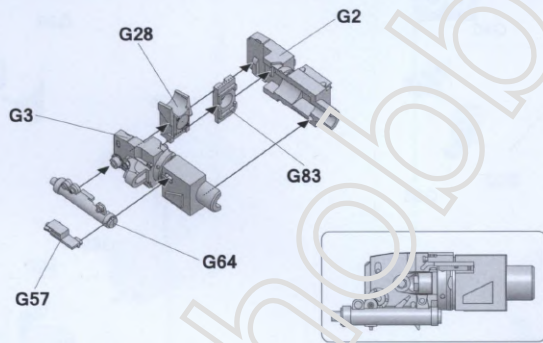


58



30

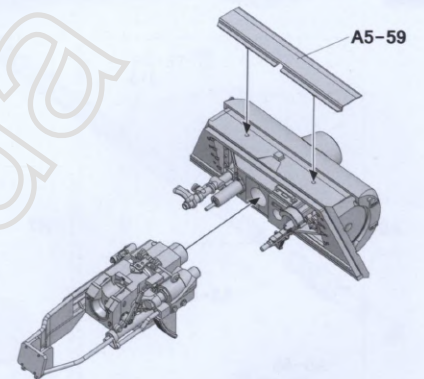
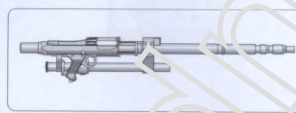
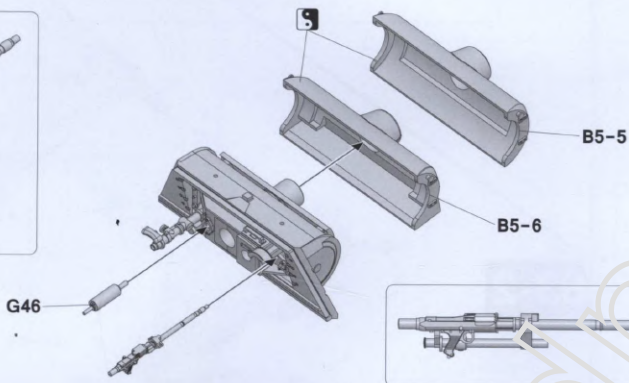
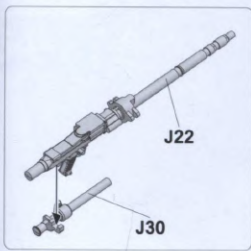
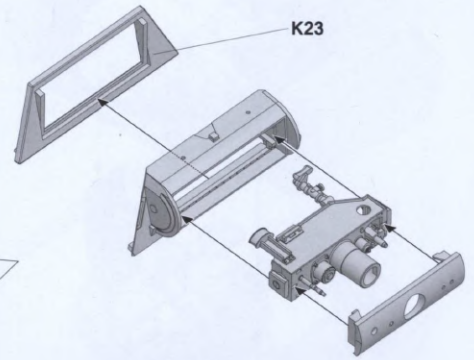
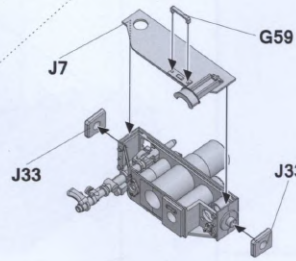
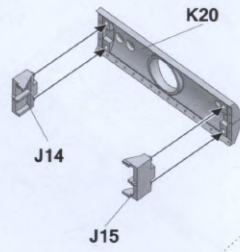
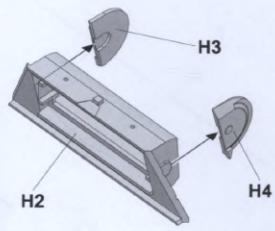
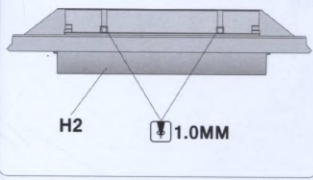
59



31

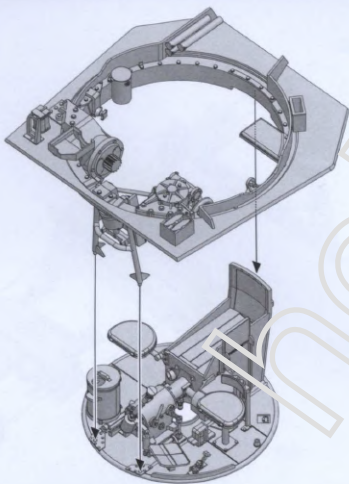


60

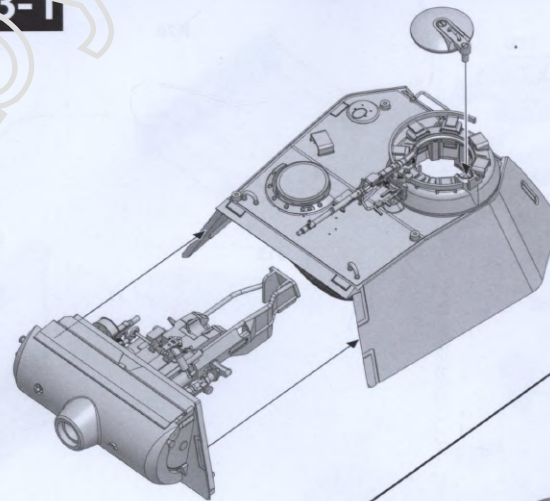


32

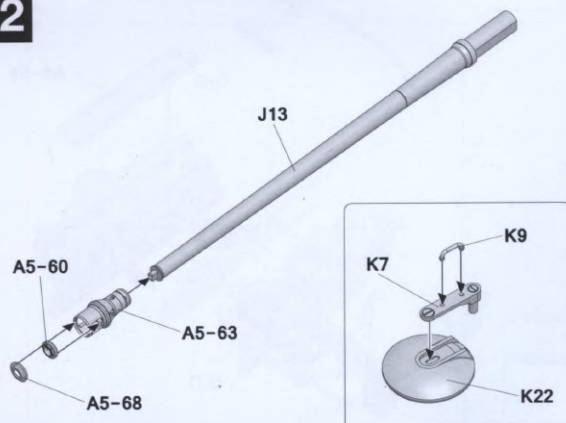
61



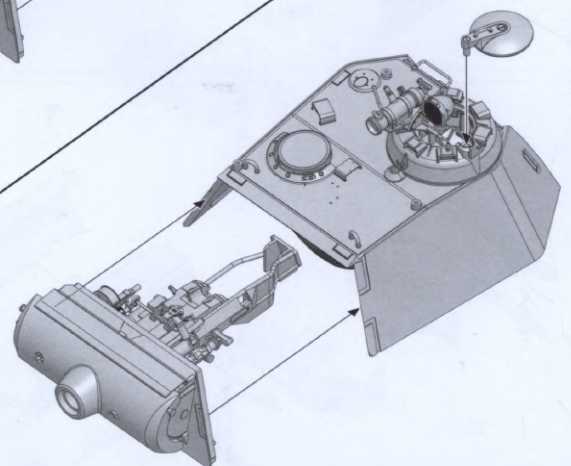
63-1



62



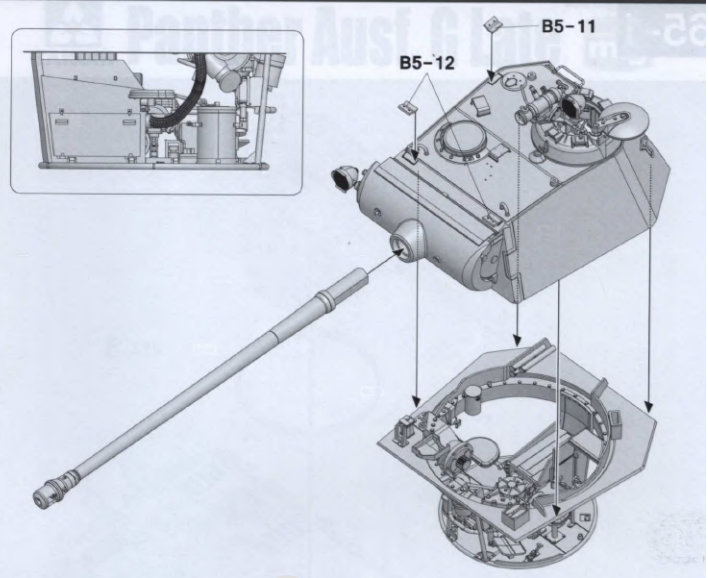
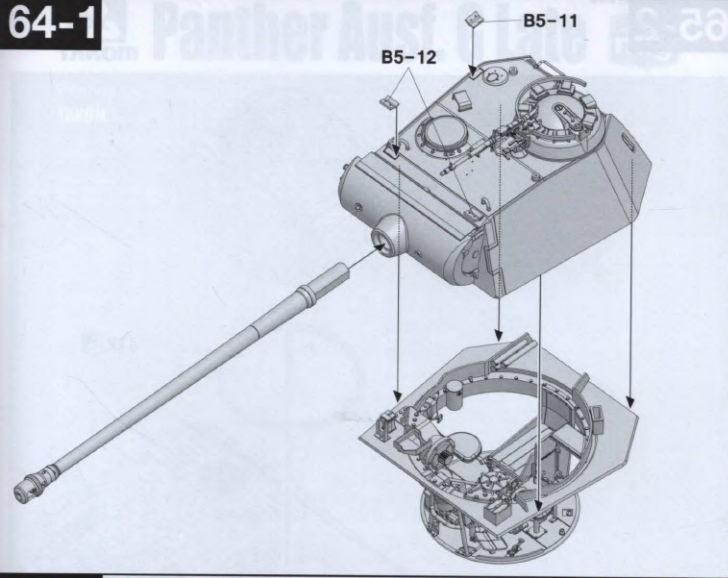
63-2



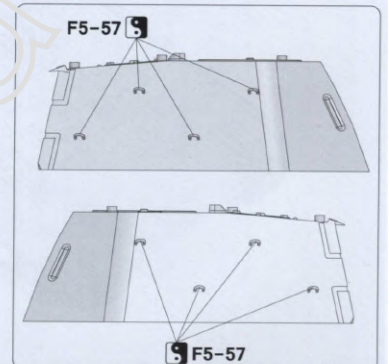
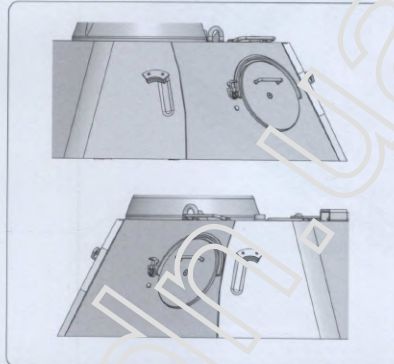
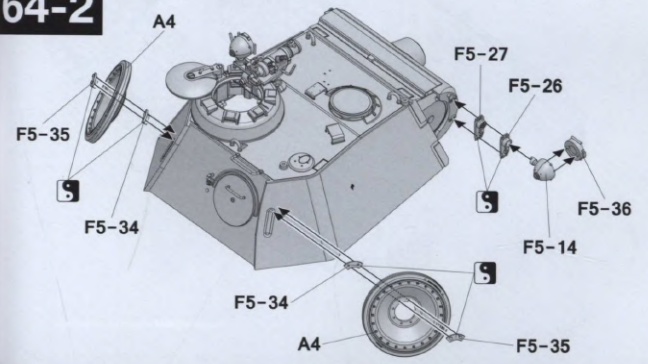
33



64-1

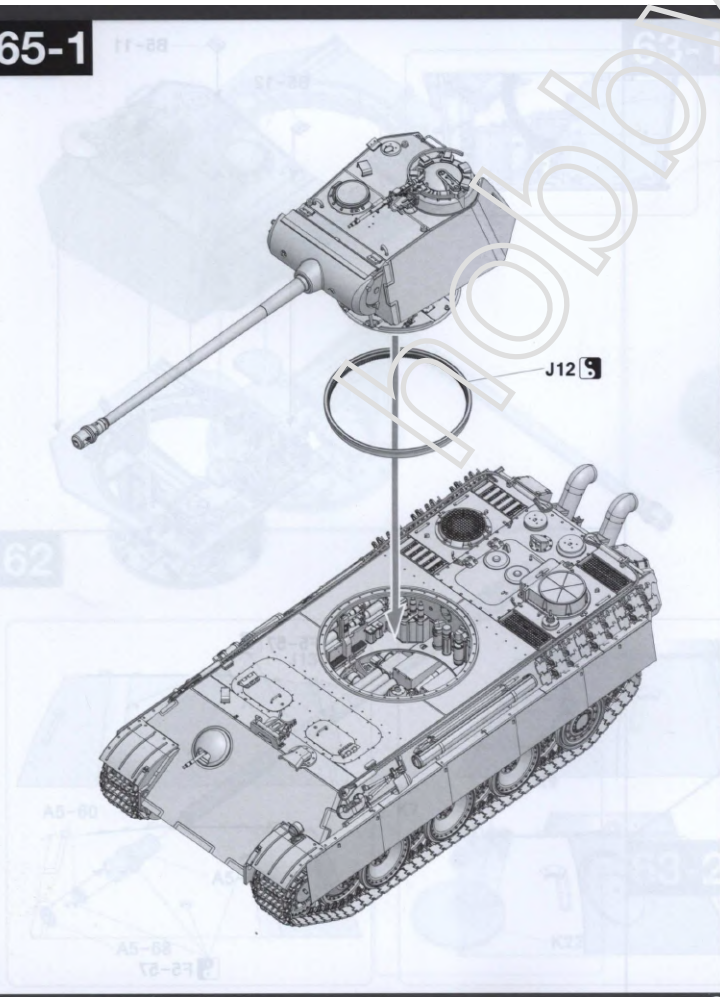


64-2

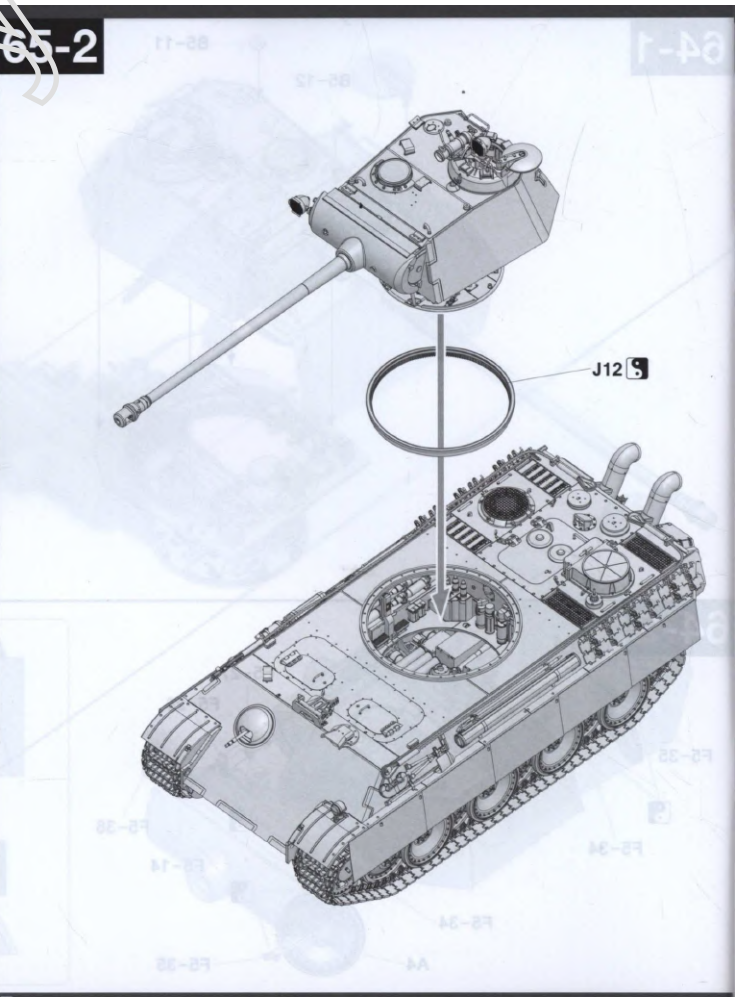


34

65-1



65-2



35



03.03.2121



# Panther Ausf. G Late

www.migjimenex.com



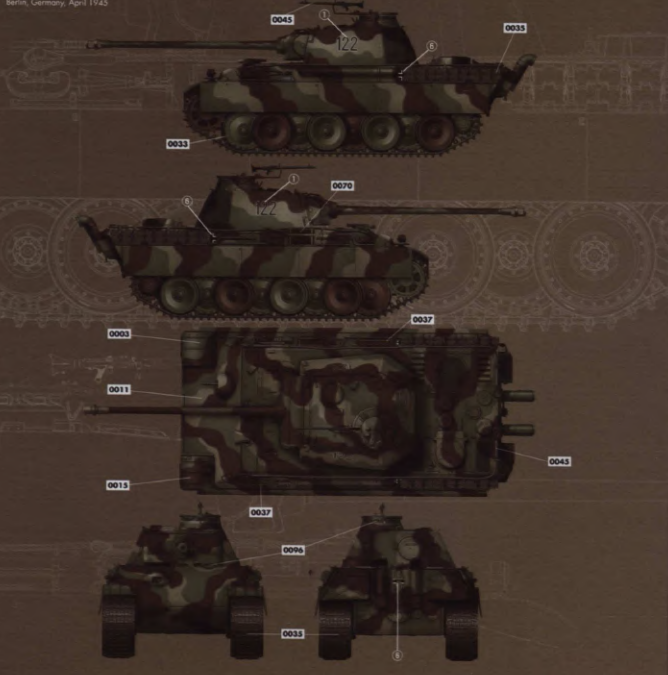
## Painting and Marking Guide

TAKOM Ref: 2121

Panther Ausf. G Late Production with full interior

I./Panzer Brigade 29  
Panzer Division "Muncheberg"  
Berlin, Germany, April 1945

- A.MIG-0033 Rubber & Tire
- A.MIG-0035 Dark Tracks
- A.MIG-0037 New Wood
- A.MIG-0070 Medium Brown
- A.MIG-0045 Gun Metal
- A.MIG-0096 Crystal Petrol/Green
- A.MIG-0003 Sandbagging
- A.MIG-0011 Sandbags, Part 44 (C)
- A.MIG-0015 Sandbagging



### WEATHERING STEPS WITH AMMO PRODUCTS

- GENERAL WASH**  
A.MIG-1002 Dark Brown Wash for Green
- STREAKING**  
A.MIG-1003 Streaking Glaze
- DIRT**  
A.MIG-1004 Streaking/Weather Paint
- WAX & SPLASHES**  
A.MIG-170 Wet Wax / A.MIG-174 Damp Earth
- TRACK WASH**  
A.MIG-1002 Tracks Wash
- DIRT**  
A.MIG-1002 City Dark Dust
- WASH & SPLASHES**  
A.MIG-170 Wet Wax / A.MIG-174 Damp Earth
- WASH & OIL**  
A.MIG-148 Fresh Engine Oil

03.03.2121



# Panther Ausf. G Late

www.migjimenex.com



## Painting and Marking Guide

TAKOM Ref: 2121

Panther Ausf. G Late Production with full interior

Kampfgruppe Schulze, Buckeburg / Paderborn,  
Germany, April 1945

- A.MIG-0033 Rubber & Tire
- A.MIG-0035 Dark Tracks
- A.MIG-0037 New Wood
- A.MIG-0070 Medium Brown
- A.MIG-0045 Gun Metal
- A.MIG-0096 Crystal Petrol/Green
- A.MIG-0003 Sandbagging
- A.MIG-0011 Sandbags, Part 44 (C)
- A.MIG-0015 Sandbagging



### WEATHERING STEPS WITH AMMO PRODUCTS

- GENERAL WASH**  
A.MIG-1002 Dark Brown Wash for Green
- STREAKING**  
A.MIG-1003 Streaking Glaze
- DIRT**  
A.MIG-1004 Streaking/Weather Paint
- WAX & SPLASHES**  
A.MIG-170 Wet Wax / A.MIG-174 Damp Earth
- TRACK WASH**  
A.MIG-1002 Tracks Wash
- DIRT**  
A.MIG-1002 City Dark Dust
- WASH & SPLASHES**  
A.MIG-170 Wet Wax / A.MIG-174 Damp Earth
- WASH & OIL**  
A.MIG-148 Fresh Engine Oil

03.03.2121



# Panther Ausf. G Late

www.migjimenex.com



## Painting and Marking Guide

TAKOM Ref: 2121

Panther Ausf. G Late Production with full interior

Panzer Regiment 37, Lower Silesia, March 1945

- A.MIG-0033 Rubber & Tire
- A.MIG-0035 Dark Tracks
- A.MIG-0037 New Wood
- A.MIG-0070 Medium Brown
- A.MIG-0045 Gun Metal
- A.MIG-0096 Crystal Petrol/Green
- A.MIG-0003 Sandbagging
- A.MIG-0011 Sandbags, Part 44 (C)
- A.MIG-0014 Sandbagging



### WEATHERING STEPS WITH AMMO PRODUCTS

- GENERAL WASH**  
A.MIG-1002 Dark Brown Wash for Green
- STREAKING**  
A.MIG-1003 Streaking Glaze
- DIRT**  
A.MIG-1004 Streaking/Weather Paint
- WAX & SPLASHES**  
A.MIG-170 Wet Wax / A.MIG-174 Damp Earth
- TRACK WASH**  
A.MIG-1002 Tracks Wash
- DIRT**  
A.MIG-1002 City Dark Dust
- WASH & SPLASHES**  
A.MIG-170 Wet Wax / A.MIG-174 Damp Earth
- WASH & OIL**  
A.MIG-148 Fresh Engine Oil

03.03.2121



# Panther Ausf. G Late

www.migjimenex.com



## Painting and Marking Guide

TAKOM Ref: 2121

Panther Ausf. G Late Production with full interior

Panzer Division Feldherrnhalle 2,  
Czechoslovakia, May 1945

- A.MIG-0033 Rubber & Tire
- A.MIG-0035 Dark Tracks
- A.MIG-0037 New Wood
- A.MIG-0070 Medium Brown
- A.MIG-0045 Gun Metal
- A.MIG-0096 Crystal Petrol/Green
- A.MIG-0003 Sandbagging
- A.MIG-0011 Sandbags, Part 44 (C)
- A.MIG-0014 Sandbagging



### WEATHERING STEPS WITH AMMO PRODUCTS

- GENERAL WASH**  
A.MIG-1002 Dark Brown Wash for Green
- STREAKING**  
A.MIG-1003 Streaking Glaze
- DIRT**  
A.MIG-1004 Streaking/Weather Paint
- WAX & SPLASHES**  
A.MIG-170 Wet Wax / A.MIG-174 Damp Earth
- TRACK WASH**  
A.MIG-1002 Tracks Wash
- DIRT**  
A.MIG-1002 City Dark Dust
- WASH & SPLASHES**  
A.MIG-170 Wet Wax / A.MIG-174 Damp Earth
- WASH & OIL**  
A.MIG-148 Fresh Engine Oil



03.03.2121



# Panther Ausf. G Late

www.migjminenez.com



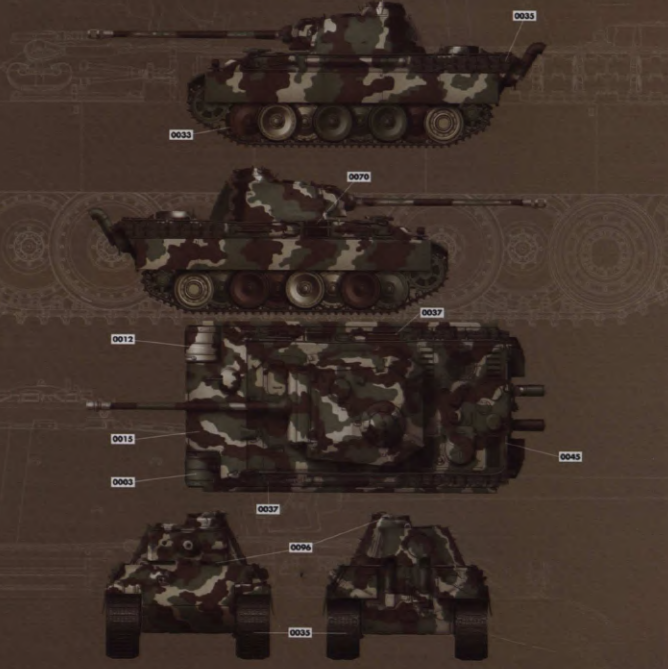
## Painting and Marking Guide

TAKOM Ref: 2121

Panther Ausf. G Late Production with full interior.

1./Panzer Regiment 3, Grafenwohr, Germany, April 1945

- A.MIG-0033 Rubber & Tire
- A.MIG-0031 Dark Tracks
- A.MIG-0037 New Wood
- A.MIG-0070 Medium Brown
- A.MIG-0045 Gun Metal
- A.MIG-0016 Crystal
- A.MIG-0002 Smokegrey
- A.MIG-0015 Darkblue



### WEATHERING STEPS WITH AMMO PRODUCTS

- 1. INITIAL WASH**  
A.MIG-1002 Dark Brown Wash for Green
- 2. FRESH**  
A.MIG-1510 Tan for 3 Tone Camo
- 3. STREAKING**  
A.MIG-1203 Drenching Green
- 4. TRACK WASH**  
A.MIG-1002 Tracks Wash
- 5. RUST**  
A.MIG-1204 Drenchingbraker Rust
- 6. RUST**  
A.MIG-3028 City Dark Dust
- 7. MID & SPLASHES**  
A.MIG-1701 (for Red) A.MIG-1704 Damp Earth
- 8. SPRAY & OIL**  
A.MIG-1408 Fresh Engine Oil

03.03.2121



# Panther Ausf. G Late

www.migjminenez.com



## Painting and Marking Guide

TAKOM Ref: 2121

Panther Ausf. G Late Production with full interior.

1./Panzer Regiment 3, Munich, Germany, April 1945

- A.MIG-0033 Rubber & Tire
- A.MIG-0031 Dark Tracks
- A.MIG-0037 New Wood
- A.MIG-0070 Medium Brown
- A.MIG-0045 Gun Metal
- A.MIG-0016 Crystal
- A.MIG-0002 Smokegrey
- A.MIG-0015 Darkblue



### WEATHERING STEPS WITH AMMO PRODUCTS

- 1. INITIAL WASH**  
A.MIG-1002 Dark Brown Wash for Green
- 2. FRESH**  
A.MIG-1510 Tan for 3 Tone Camo
- 3. STREAKING**  
A.MIG-1203 Drenching Green
- 4. TRACK WASH**  
A.MIG-1002 Tracks Wash
- 5. RUST**  
A.MIG-1204 Drenchingbraker Rust
- 6. RUST**  
A.MIG-3028 City Dark Dust
- 7. MID & SPLASHES**  
A.MIG-1701 (for Red) A.MIG-1704 Damp Earth
- 8. SPRAY & OIL**  
A.MIG-1408 Fresh Engine Oil

03.03.2121



# Panther Ausf. G Late

www.migjminenez.com



## Painting and Marking Guide

TAKOM Ref: 2121

Panther Ausf. G Late Production with full interior.

1./Panzer Regiment 29, Panzer Division "Muncheberg", Berlin, Germany, May 1945

- A.MIG-0033 Rubber & Tire
- A.MIG-0031 Dark Tracks
- A.MIG-0037 New Wood
- A.MIG-0070 Medium Brown
- A.MIG-0045 Gun Metal
- A.MIG-0016 Crystal
- A.MIG-0002 Smokegrey
- A.MIG-0015 Darkblue



### WEATHERING STEPS WITH AMMO PRODUCTS

- 1. INITIAL WASH**  
A.MIG-1002 Dark Brown Wash for Green
- 2. FRESH**  
A.MIG-1510 Tan for 3 Tone Camo
- 3. STREAKING**  
A.MIG-1203 Drenching Green
- 4. TRACK WASH**  
A.MIG-1002 Tracks Wash
- 5. RUST**  
A.MIG-1204 Drenchingbraker Rust
- 6. RUST**  
A.MIG-3028 City Dark Dust
- 7. MID & SPLASHES**  
A.MIG-1701 (for Red) A.MIG-1704 Damp Earth
- 8. SPRAY & OIL**  
A.MIG-1408 Fresh Engine Oil

**PANTHER Ausf. G w/Steel Wheels**  
**Mid Production 2in1**

A DETAILED BRITISH DISPLAY PLASTIC MODEL. A TRACK ASSEMBLY IS SHOWN WITH THE USE OF A NEW LINE & LETTERING STYLE TRACKS INCLUDED. A FULL INTERIOR CAN BE MADE BY USING OUR COLLECTOR'S PARTS & ACCESSORIES.

1/35 1:35 1:35

**Full Interior**

**APANTHER w/ Zimmerit**  
**MID-LATE Production**

Sd Kfz 267  
Sd Kfz. T2 1

**Full Interior**

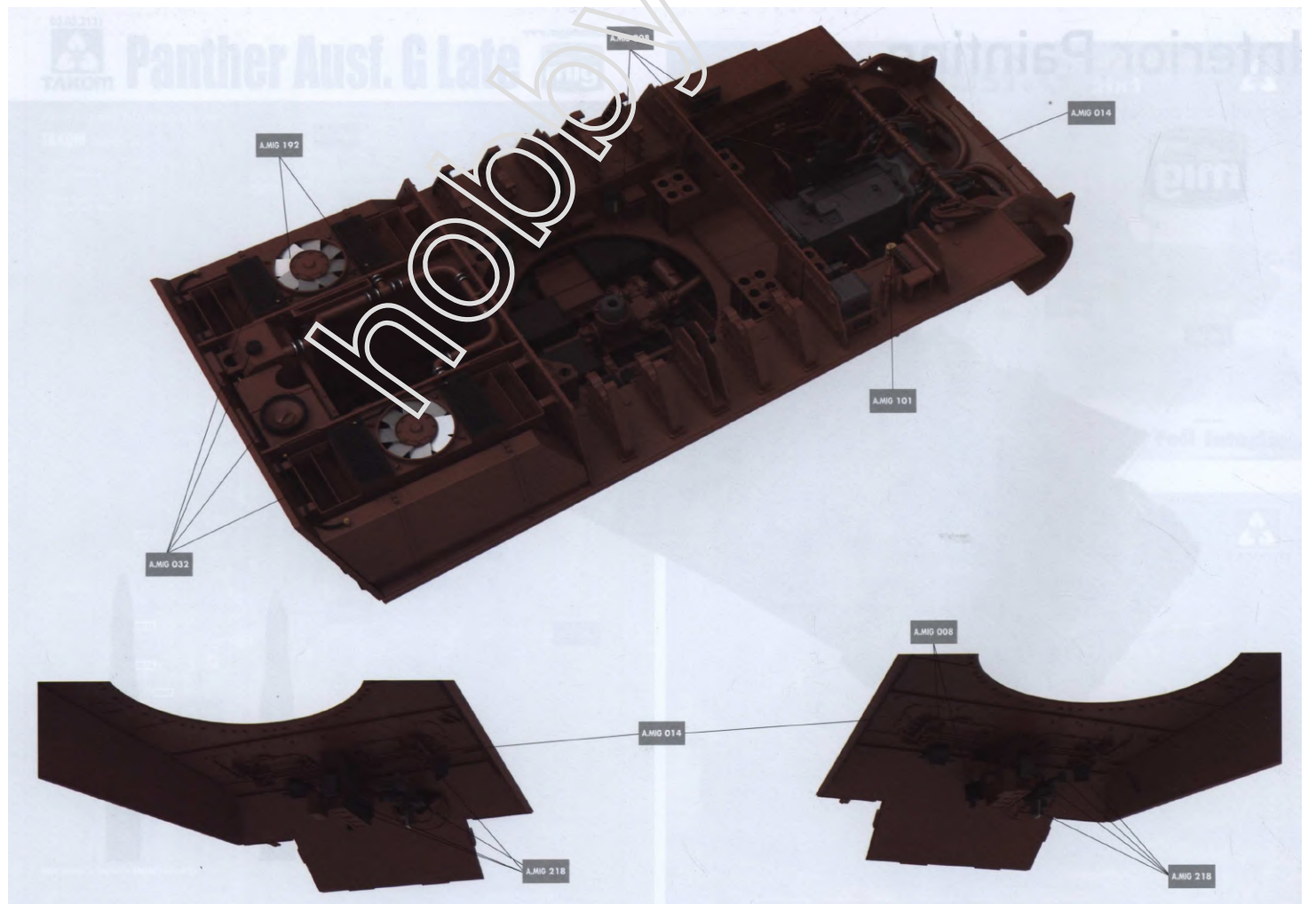
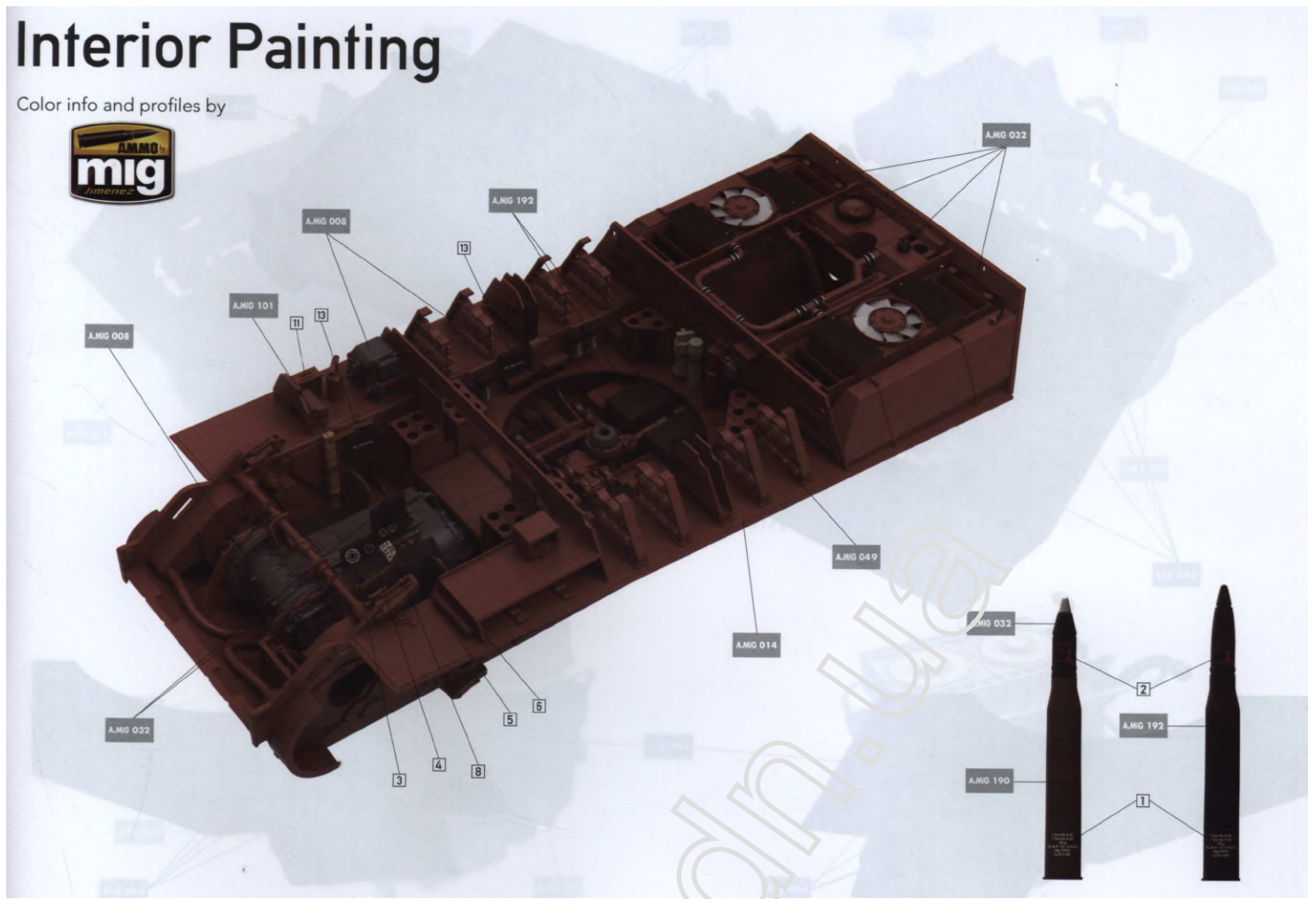
JASON

1/35 1:35 1:35

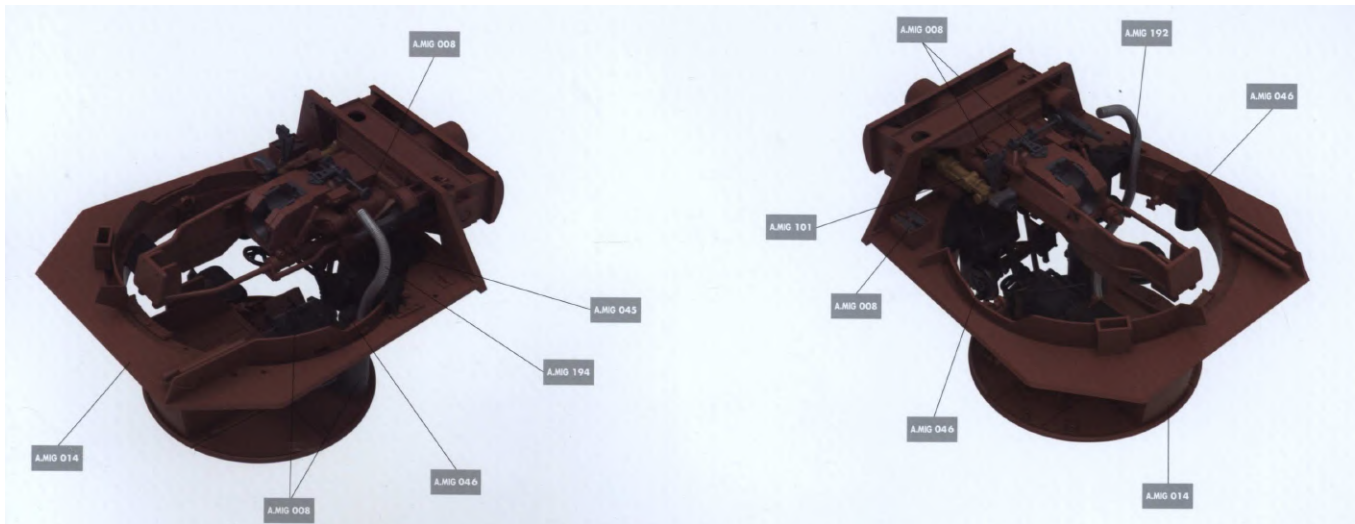


# Interior Painting

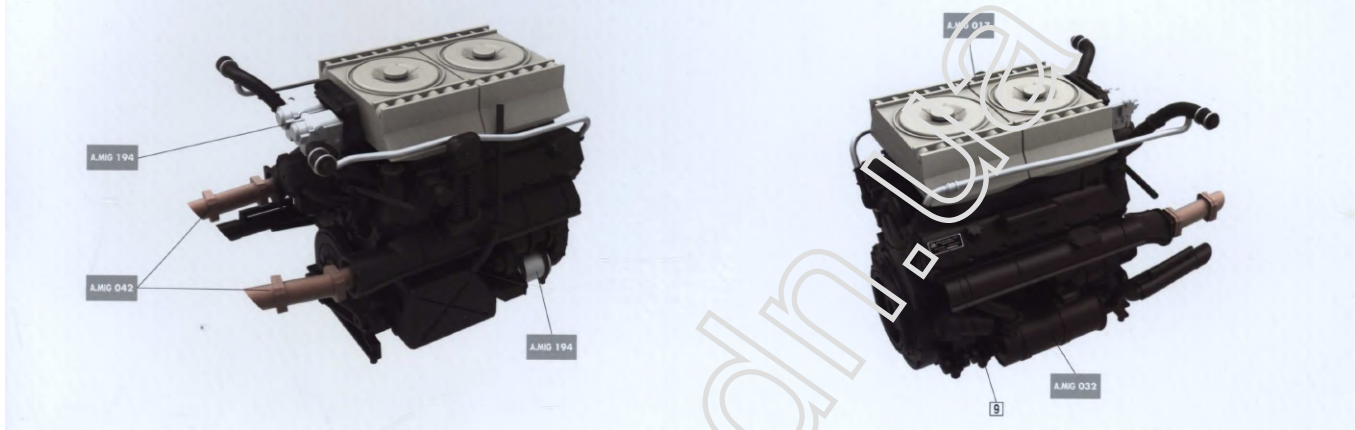
Color info and profiles by







Option: Turret Interior - Creamweiss (A.MIG 017) from February 1945



hobby.dn