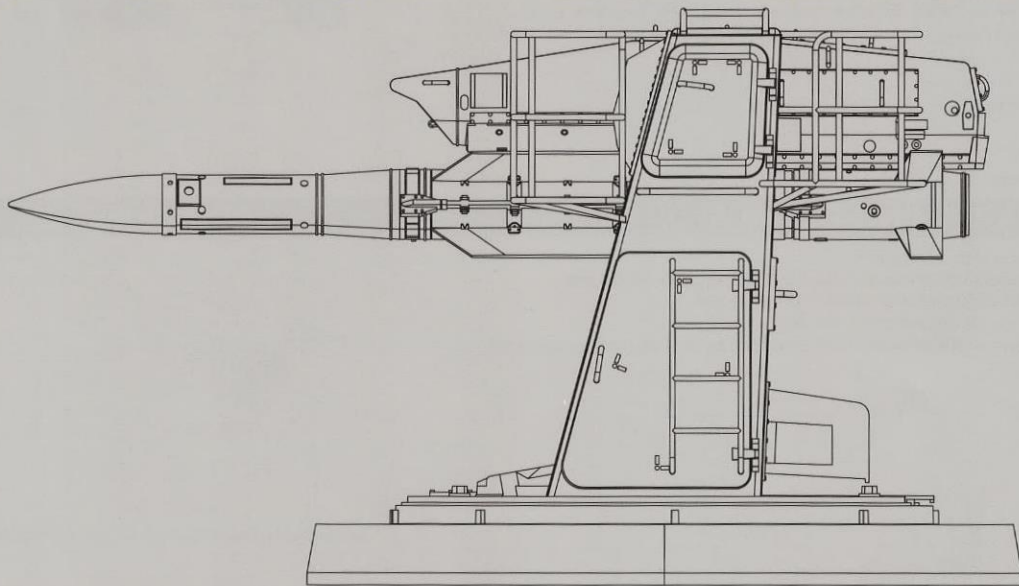


SA-N-7 & SA-N-12 2IN1



Essentially the naval version of the Russian SA-11 "Gadfly", the SA-N-7 is a ship-launched anti-aircraft system using the medium range 9M38M1 or 9K37 "Buk" supersonic, solid-fuel anti-aircraft missile which carries a 70 kg HE warhead. The SA-N-12 uses the new 9M317 missile, which was developed as a joint weapon for Russian Army and Navy air defense systems and has an extended engagement envelope when compared to the previous 9M38M1 missile.

Each "Gadfly" transporter erector launcher and radar (TELAR) is equipped with a 9S35 Fire Dome X-band multi-mode engagement radar under a radome on the front of the rotating launch platform, which provides tracking & illumination for the missile seekers. The radar, which has search, track and illuminator functions, can scan through a 120-degree arc, independent of the movement of the launch platform.

READ BEFORE ASSEMBLY

CAUTION

- Read carefully and fully understand the instructions before commencing assembly. A supervising adult should also read the instructions if a child assembles the model.
- When assembling this kit, tools including knives used. Extra care should be taken to avoid personal injury.
- Keep out of reach of small children. Children must not be allowed to suck any part, or pull vinyl bag over their heads.



Optional



Instant Glue for Metal



Be Careful



Do Not Cement

PAINTS REQUIRED

Color info and profiles by Mig Jimenez

A.MIG-0047 Satin White

A.MIG-0054 Signal Green

A.MIG-0191 Steel

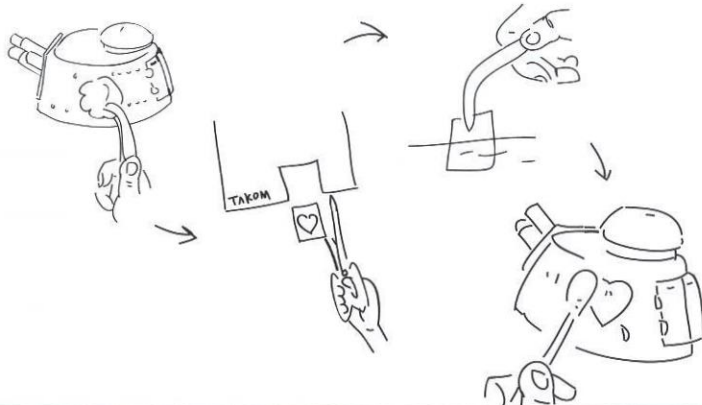
A.MIG-0208 Dark Compass
Ghost Gray

A.MIG-0204 Medium Gunship
Gray

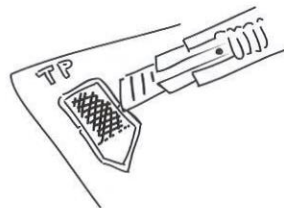
A.MIG-0014 Rotbraun

APPLYING DECALS

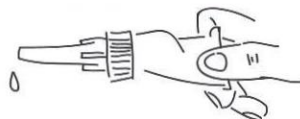
1. Clean the model surface with a wet cloth.
2. Cut out each decal design from sheet, and dip it in tepid water for 15-20 sec.
3. Hold the backing sheet edge and slide decal onto the model.
4. Move decal into position by wetting decal with finger.
5. Press decal gently down with a soft cloth until excess water and air bubbles are gone.



REMOVING PE



Be careful not to hurt when removing PE parts.

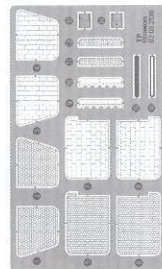
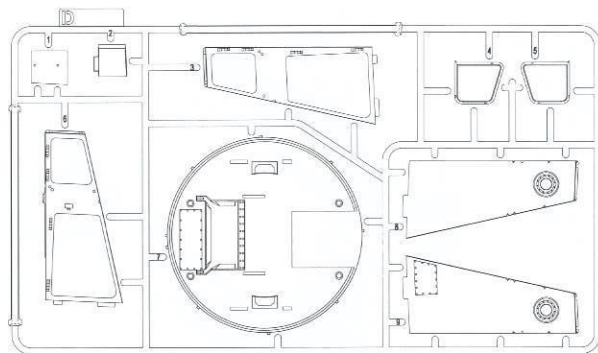
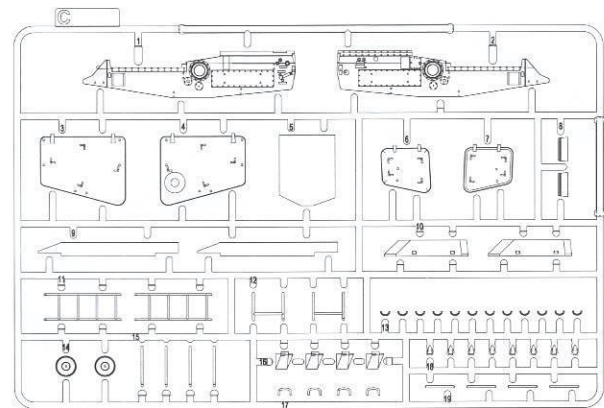
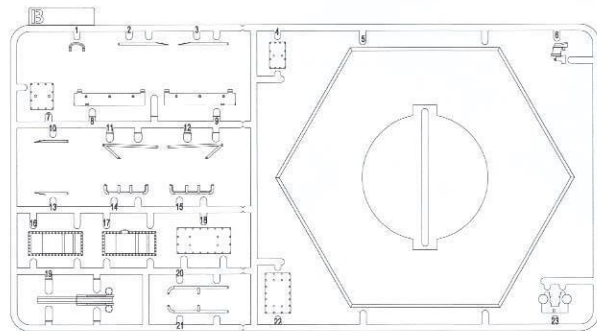
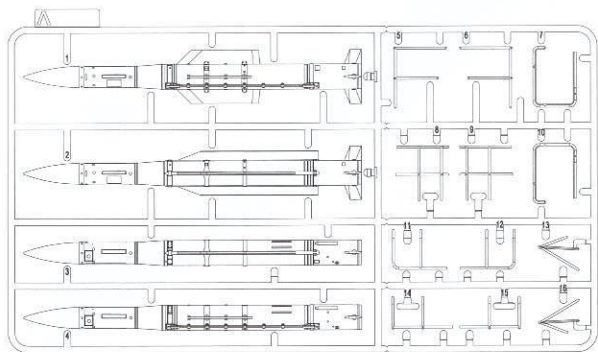


Secure using instant glue (not included).



Finish using file.

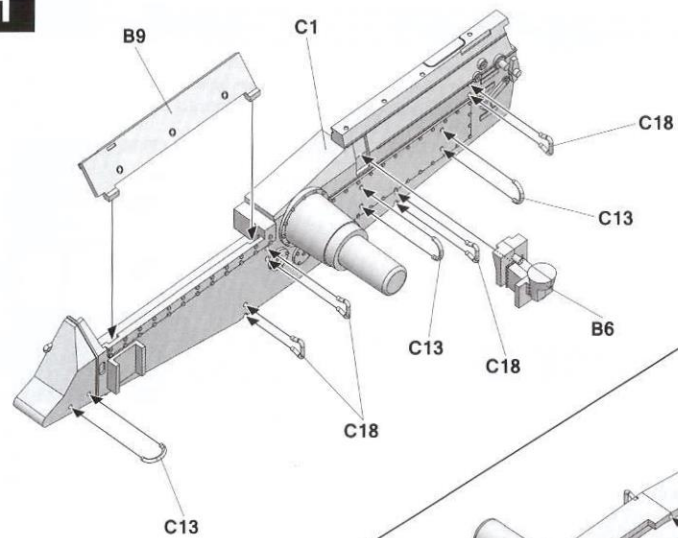
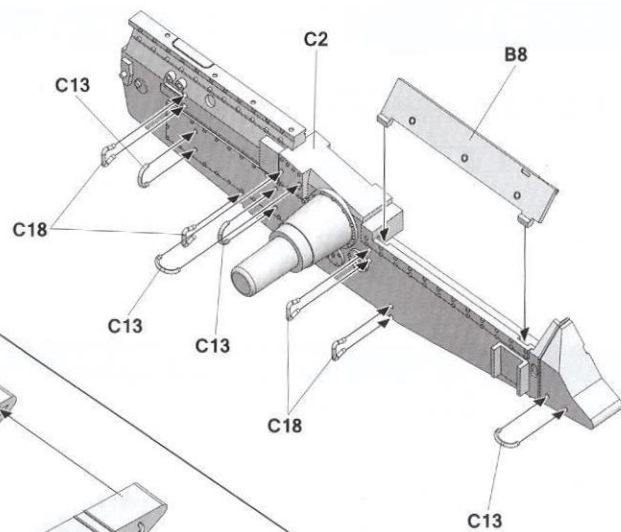
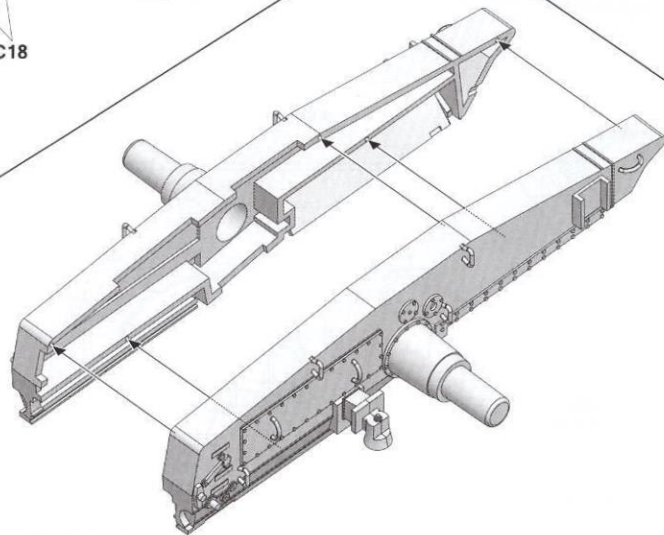
PARTS



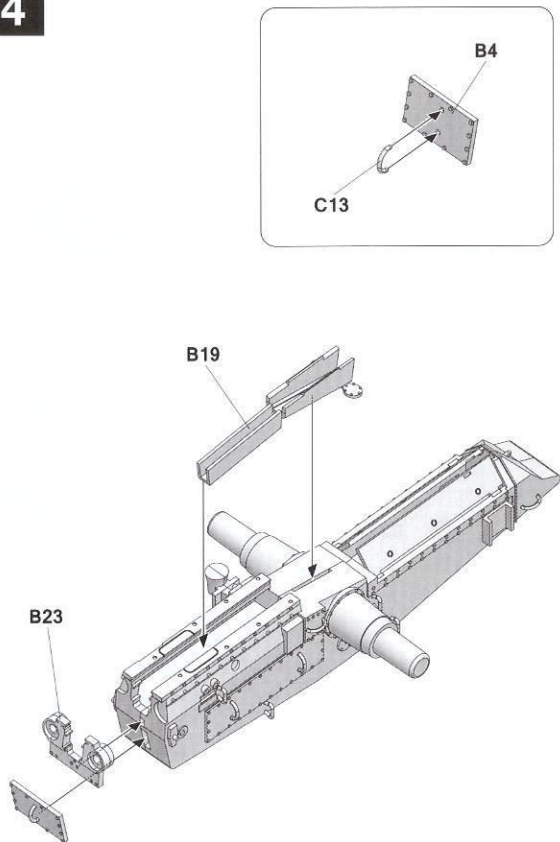
TP



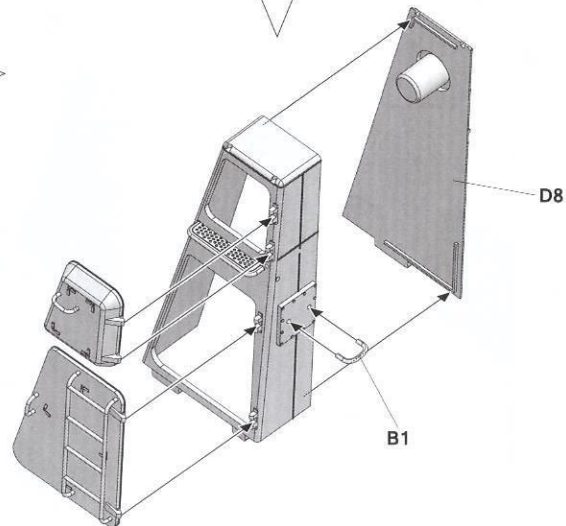
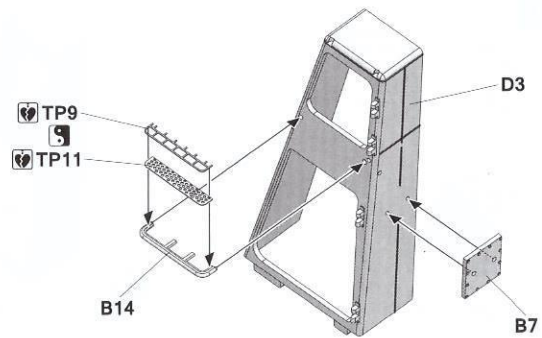
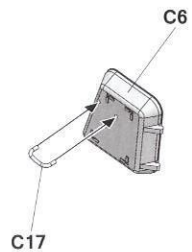
Decal

1**2****3****3**

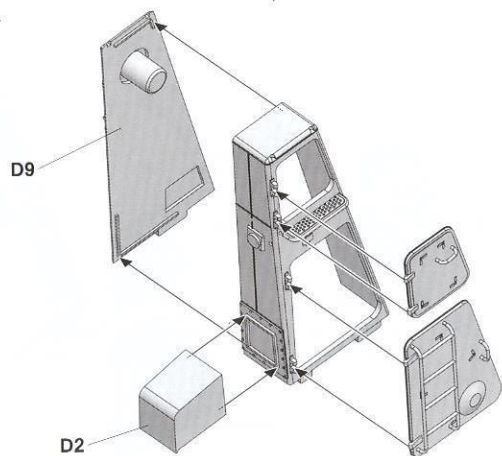
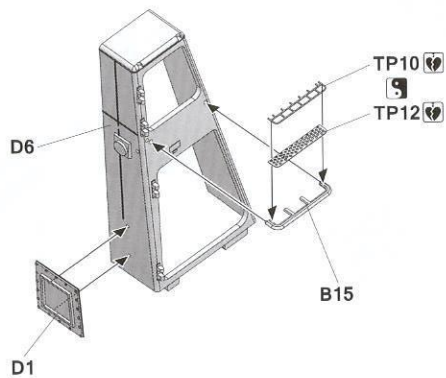
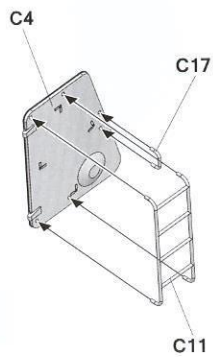
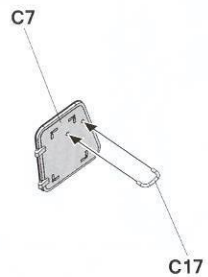
4



5

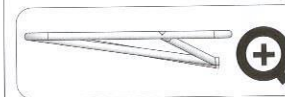
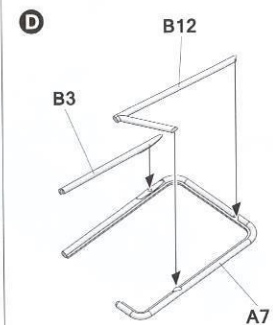
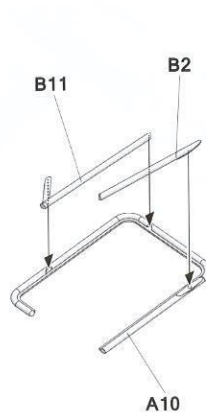
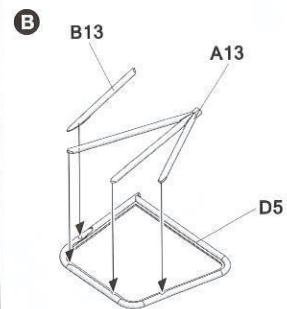
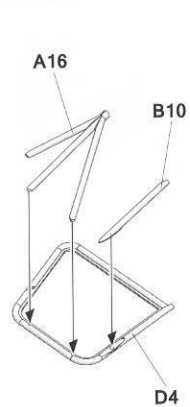


6

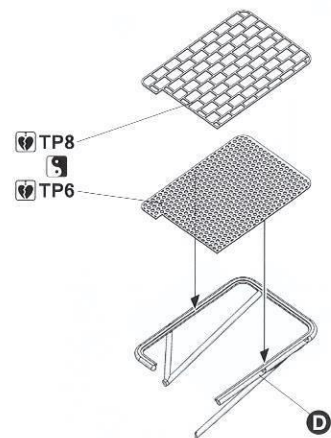
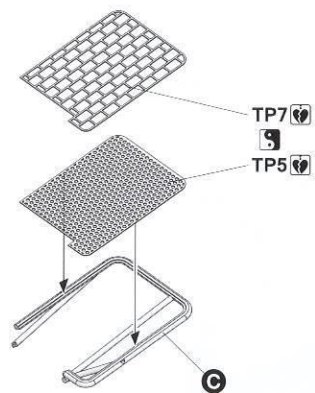
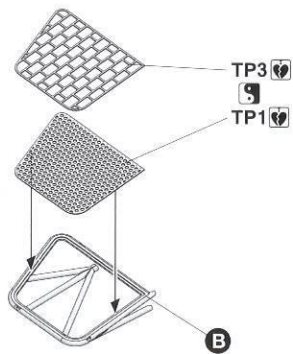
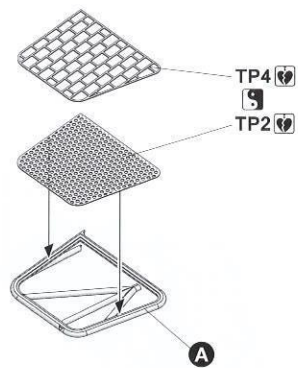


5

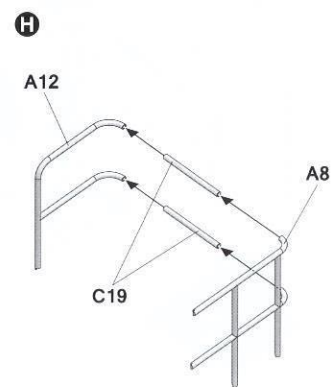
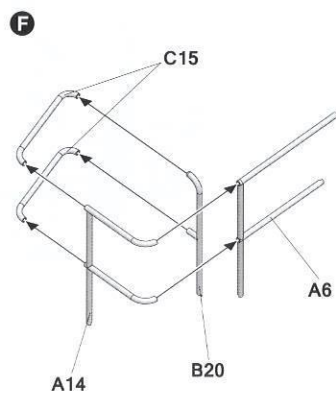
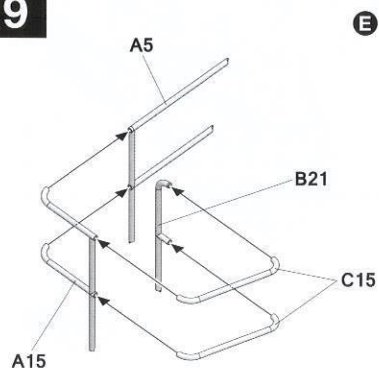
7



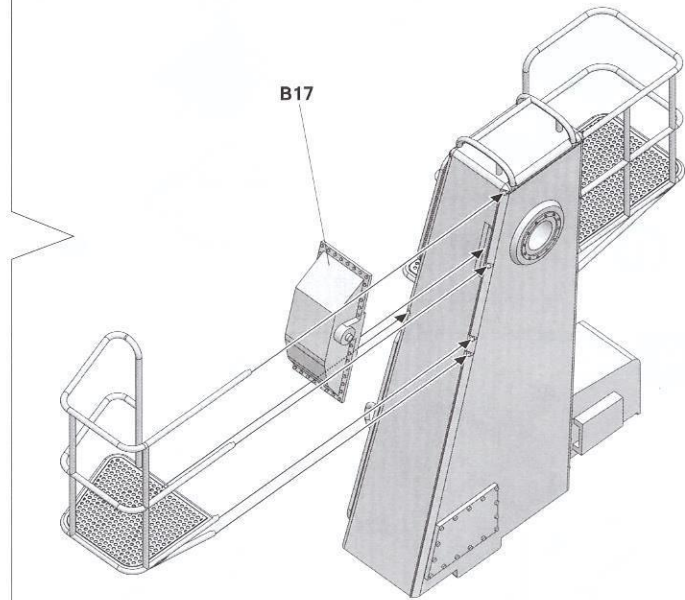
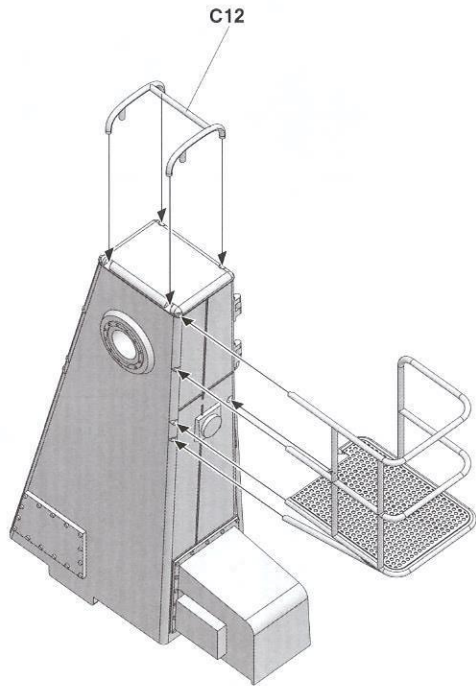
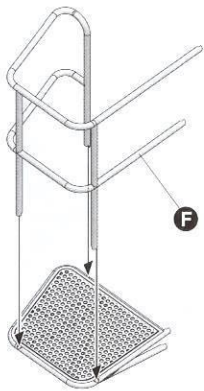
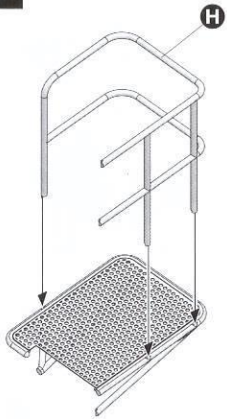
8



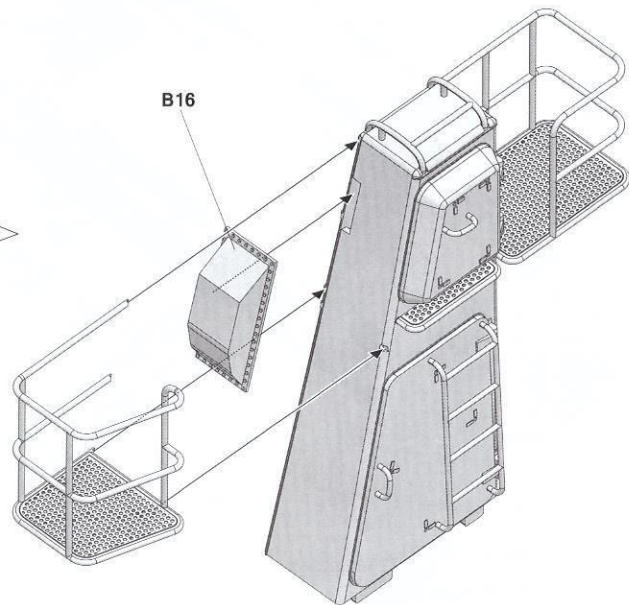
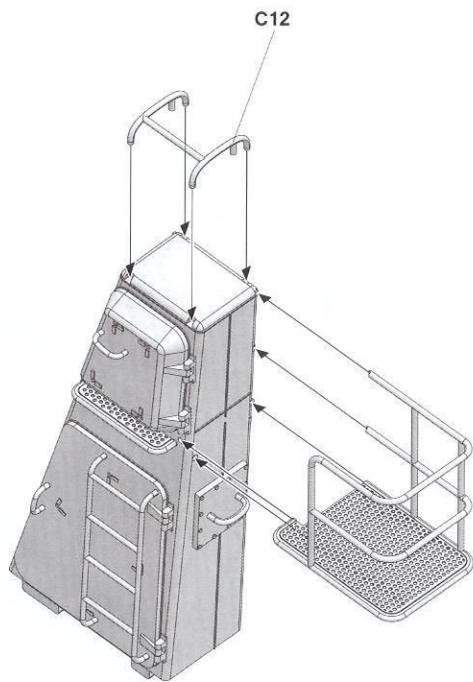
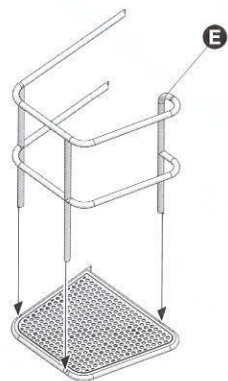
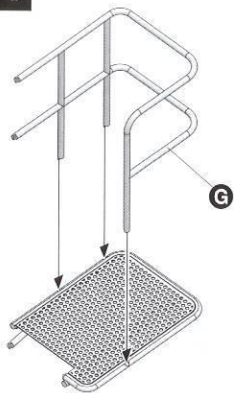
9

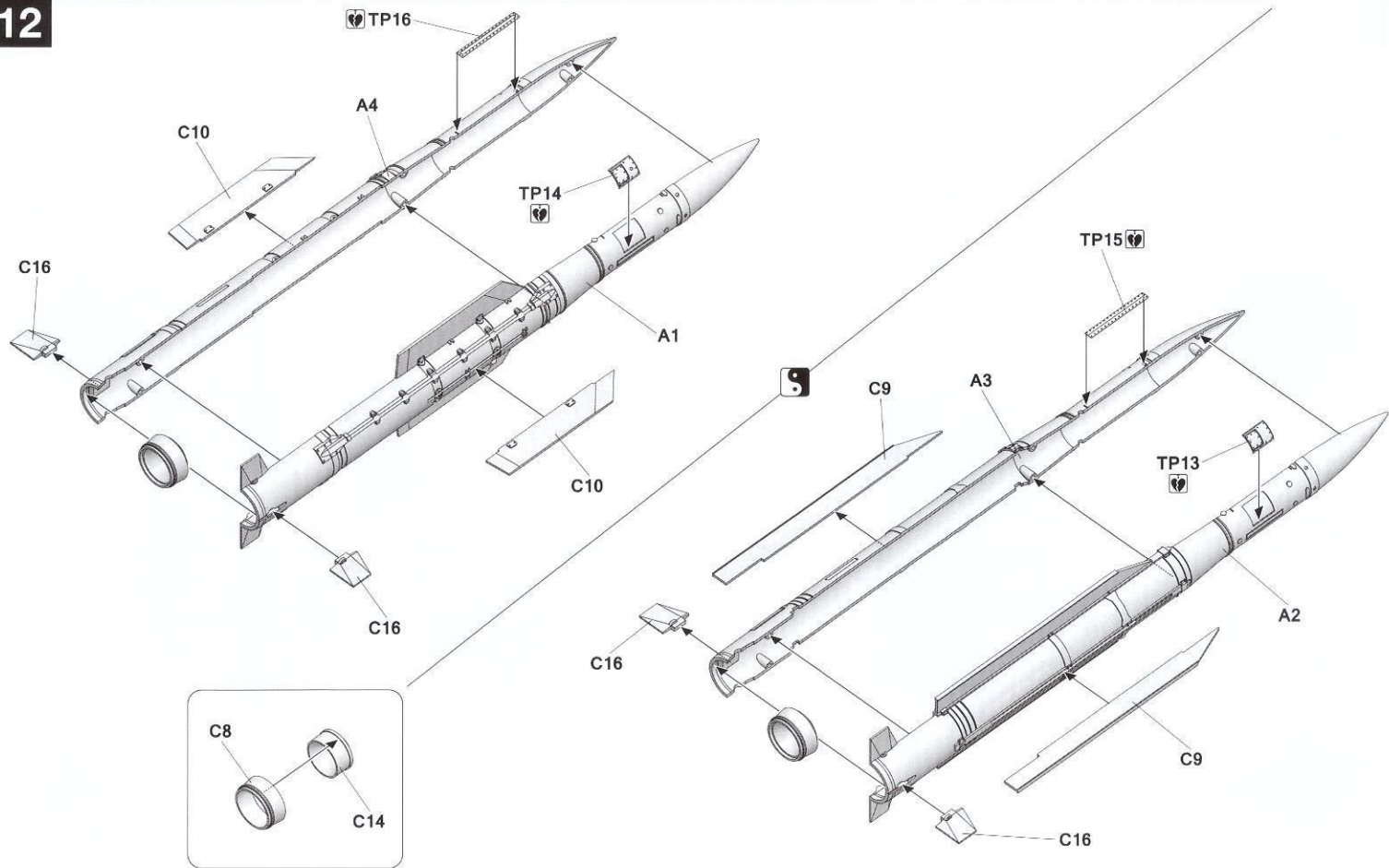


10

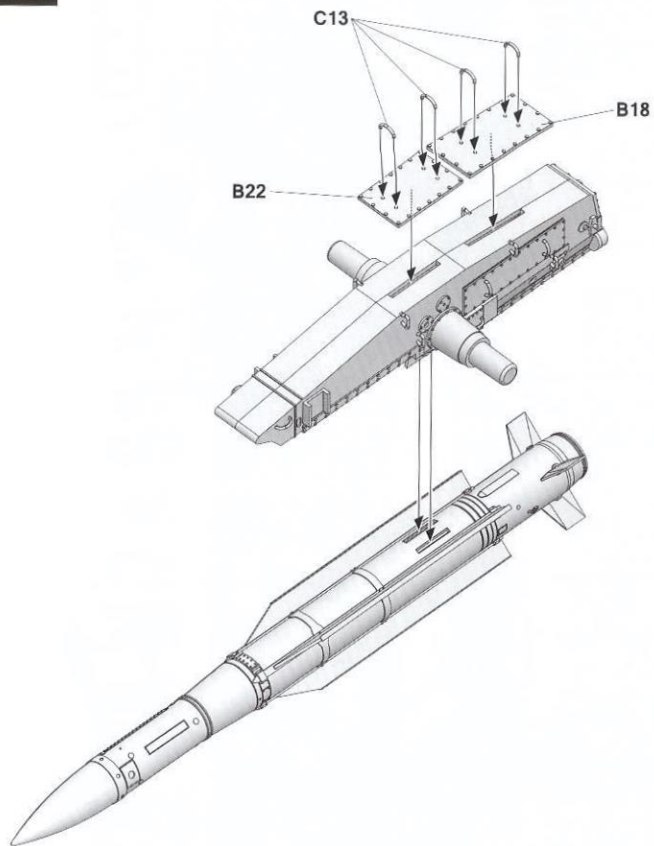


11

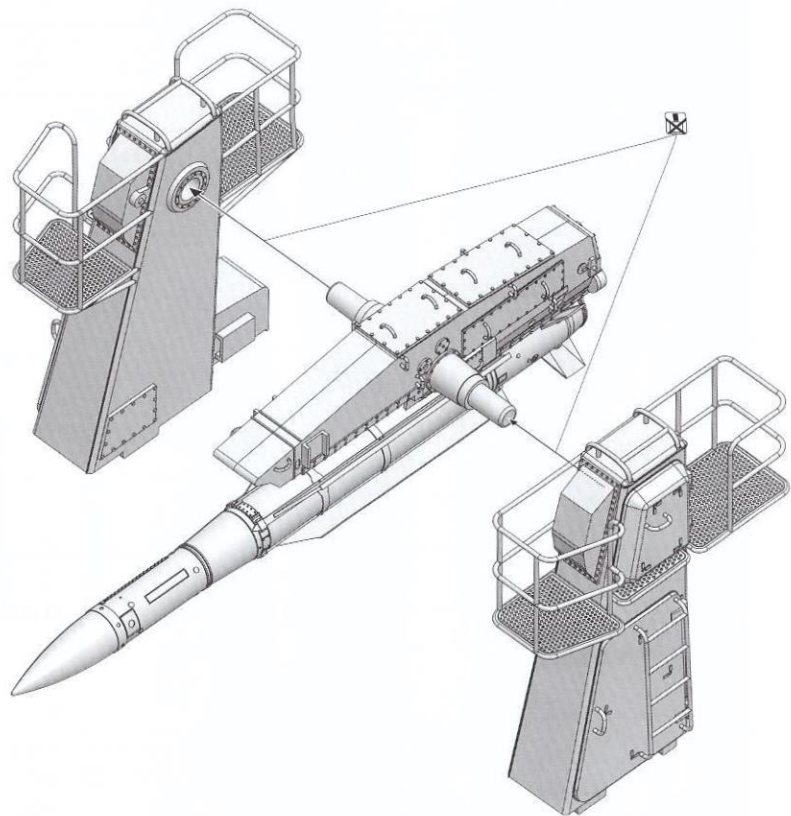




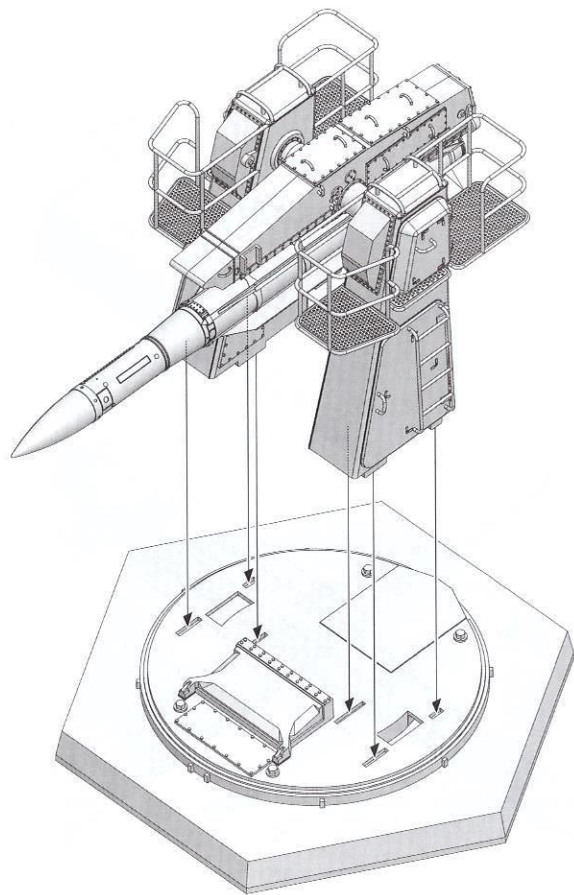
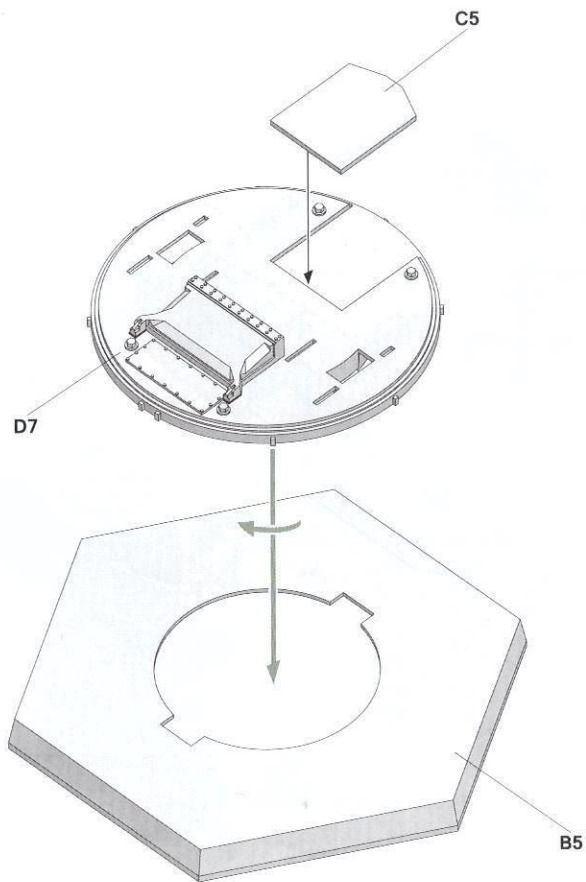
13



14



15



03.03.2136



SA-N-7 & SA-N-12



by MIG Jimenez

www.ammo.es

Painting and Marking Guide

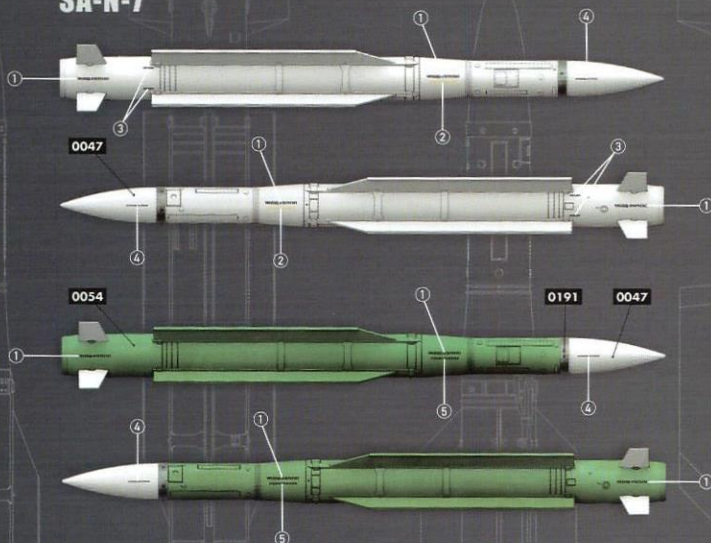
A.MIG-0047 Satin White

A.MIG-0054 Signal Green

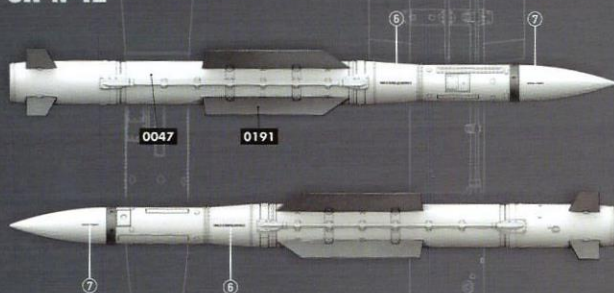
A.MIG-0191 Black

TAKOM Ref: 2136

SA-N-7



SA-N-12



WEATHERING STEPS WITH AMMO PRODUCTS

1 WASH FOR WHITE

A.MIG-1606 PLW Medium Tint

3 FILTER FOR WHITE

A.MIG-1501 Grey for White

5 SHADES FOR WHITE

A.MIG-0056 Light Grey Shader

7 CRIME

A.MIG-0853 Dirt Shader

2 WASH FOR GREEN

A.MIG-1608 PLW Dark Green Grey

4 FILTER FOR GREEN

A.MIG-1507 Tan for Yellow Green

6 SHADES FOR GREEN

A.MIG-0066 Dark Green Shader

03.03.2136



SA-N-7 & SA-N-12



by MIG Jimenez

www.ammo.es

Painting and Marking Guide

A.MIG-0208 Dark Compass
Ghost Gray

TAKOM Ref: 2136

0208

0208

0208

0208

WEATHERING STEPS WITH AMMO PRODUCTS

1 GENERAL WASH

A.MIG-1602 PLW Deep Grey

2 FILTER

A.MIG-1502 Dark Grey for White

3 SHADES

A.MIG-0857 Navy Grey Shader

4 PAINT FADING

A.MIG-3501 Oilbrusher White

5 STREAKING

A.MIG-1253 Strokingbrusher Grime

6 GREASE & OIL

A.MIG-1406 Fresh Engine Oil

03.03.2136



SA-N-7 & SA-N-12



by MIG Jimenez

www.ammo.es

Painting and Marking Guide

TAKOM Ref: 2136

A.MIG-0204 Medium Gunship Grey

A.MIG-0014 Rotbraun

0204

0014

0014

0204

0204

WEATHERING STEPS WITH AMMO PRODUCTS

1 GENERAL WASH

A.MIG-1611 PLW Black Night

2 FILTER

A.MIG-1509 Blue for Dark Grey

3 SHADES

A.MIG-0858 Ash Black Shader

4 PAINT FADING

A.MIG-3509 Oilbrusher Medium Grey

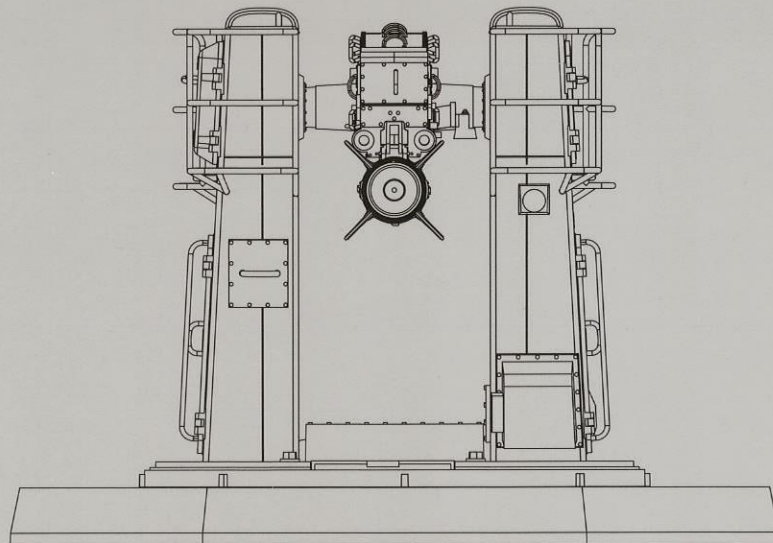
5 STREAKING

A.MIG-1252 Streakingbrusher Red Brown

6 GREASE & OIL

A.MIG-1408 Fresh Engine Oil

2020/2136



You can find TAKOM on Facebook.com