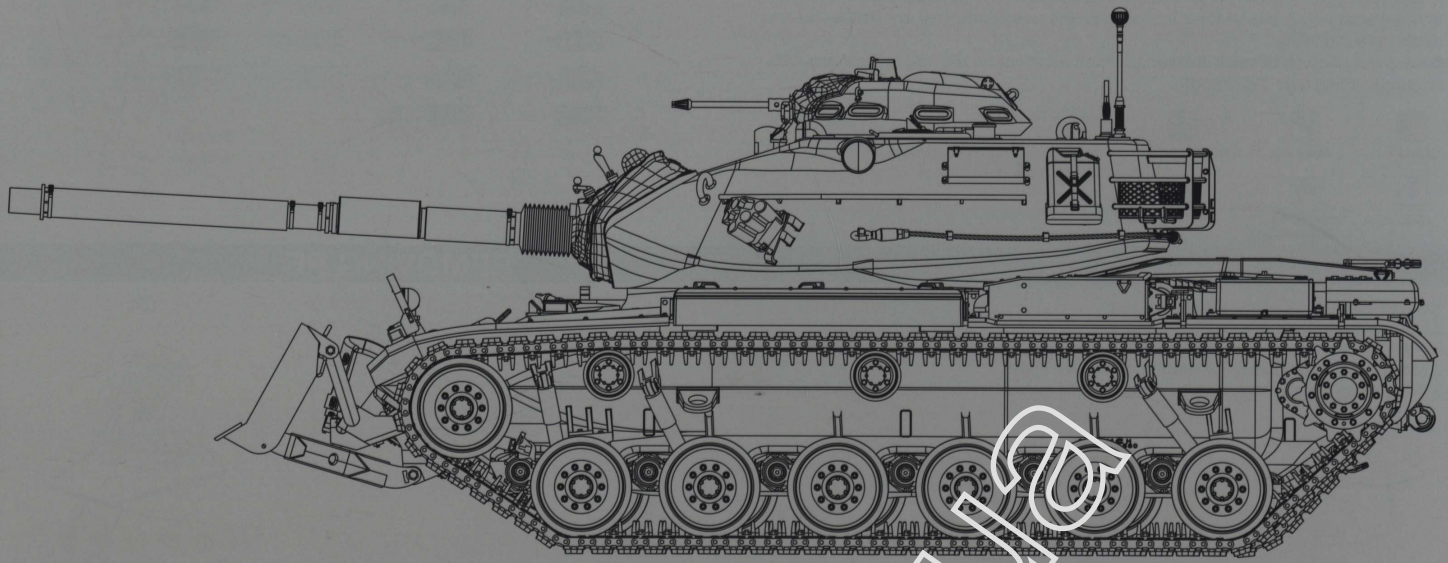


M60A3 w/ M9 BULLDOZER

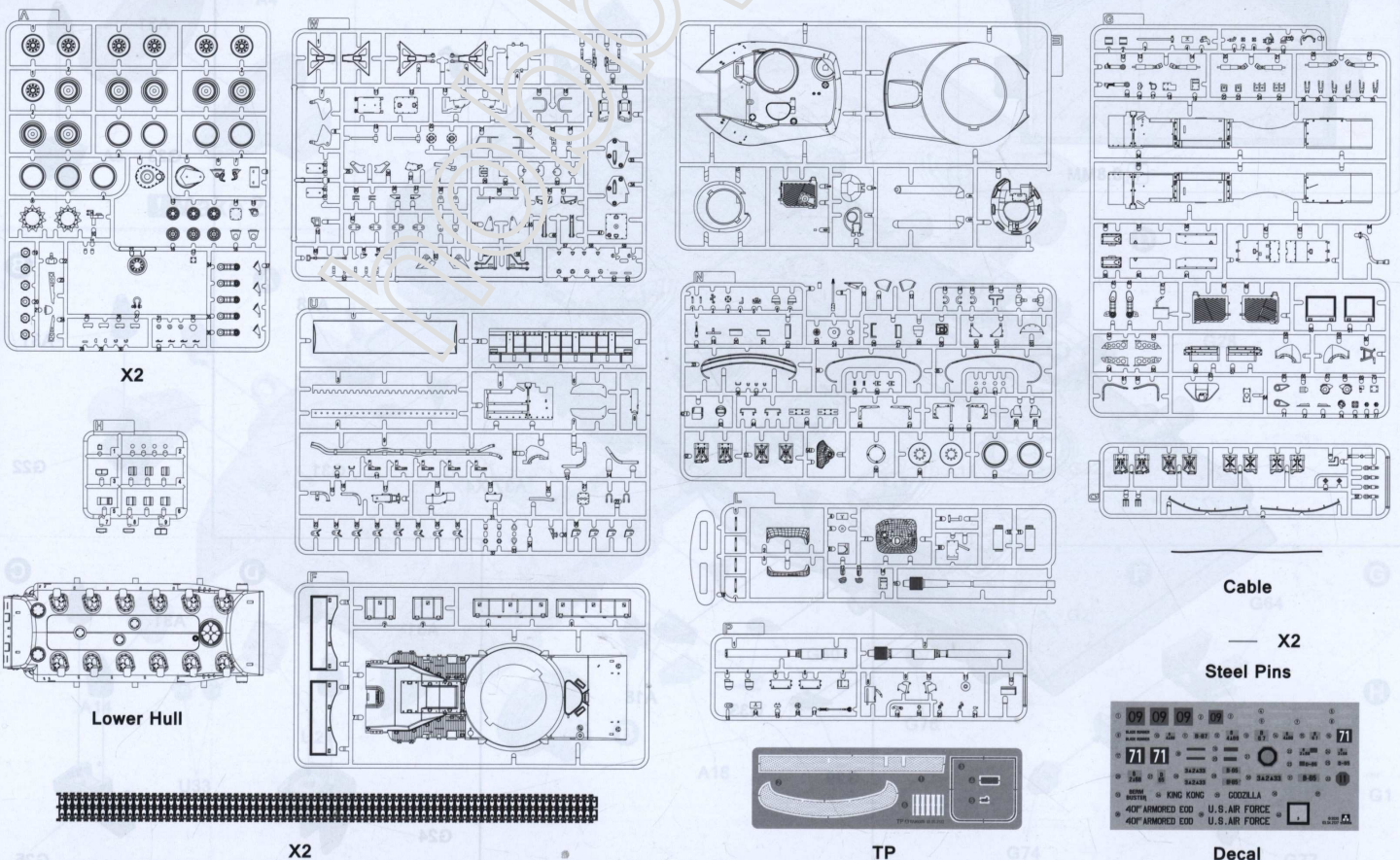


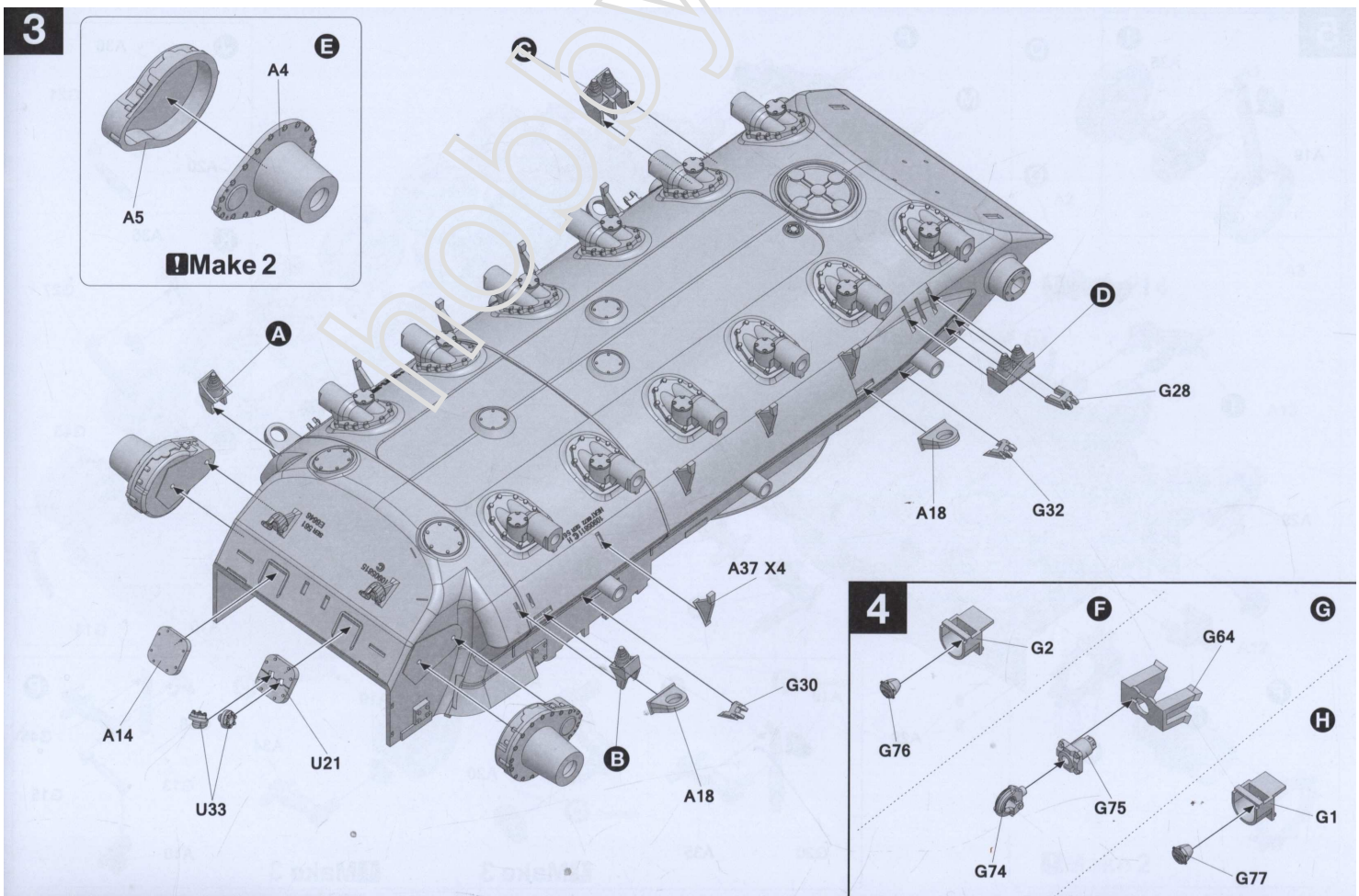
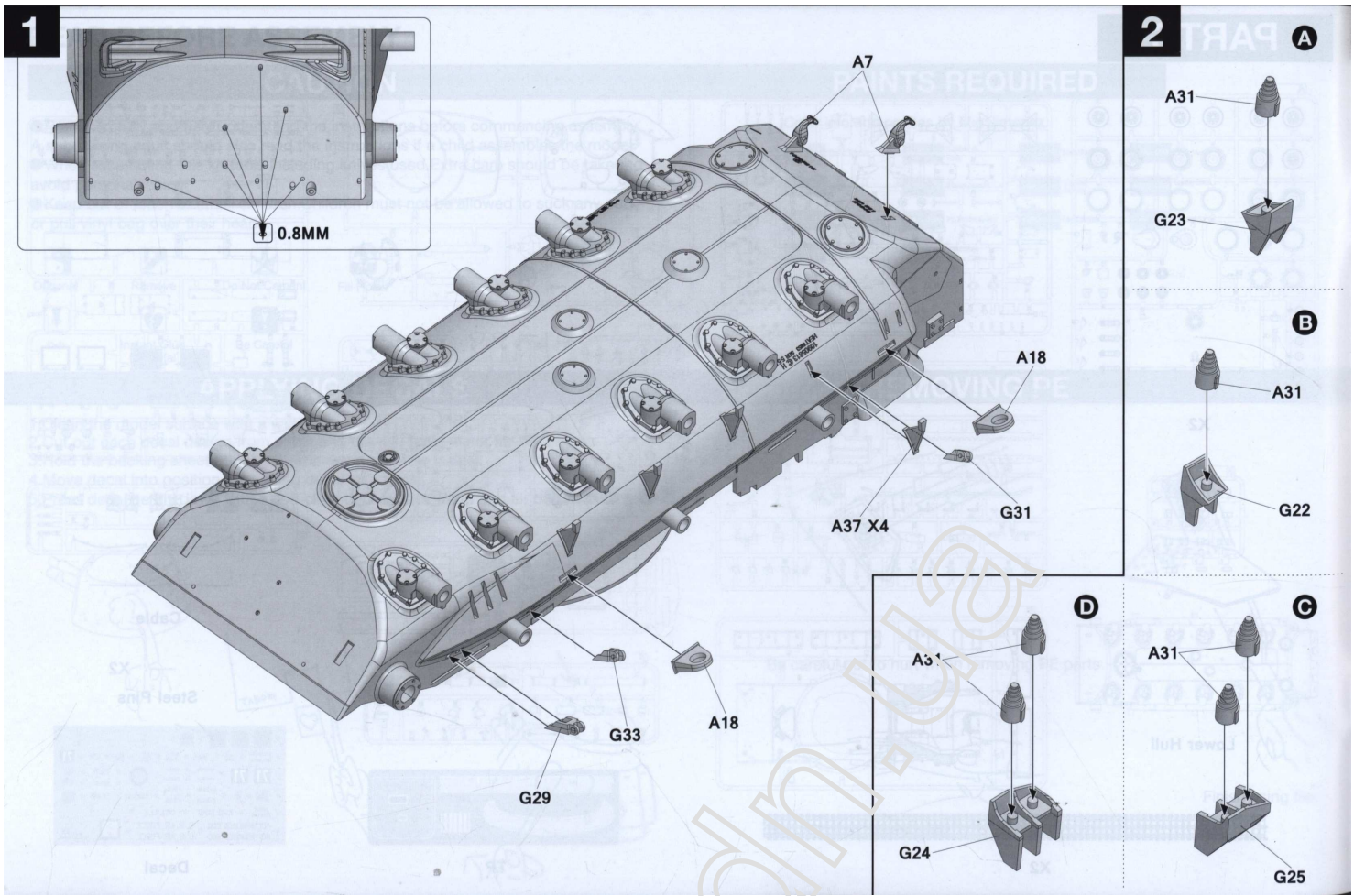
Evolving from the M48 through the M60, the M60A3 Patton tank was produced from 1962 through 1980. This newer variant featured a redesigned wedge-shaped turret with improved ballistic protection and a new mounting for the 105mm M68 main gun (modified from the excellent British L7 with a vertical sliding breech block) which could fire HE, Frag, AP, and HEAT rounds. Additional armament consisted of a coaxially mounted 7.62 mm M73 machine gun and a 12.7 mm M85 machine gun mounted in the commander's cupola. Further improvements consisted of increased armor thickness on the glacis and hull sides, as well as the installation of shock absorbers at the first two and last road wheel stations. Powered by the improved 643 hp Continental AVDS-1790-2A V-12 twin turbo diesel engine coupled to the Allison CD-850-6A powershift cross-drive transmission, the tank weighed 58 tons and was served by a crew of four -- commander, gunner, loader, and driver.

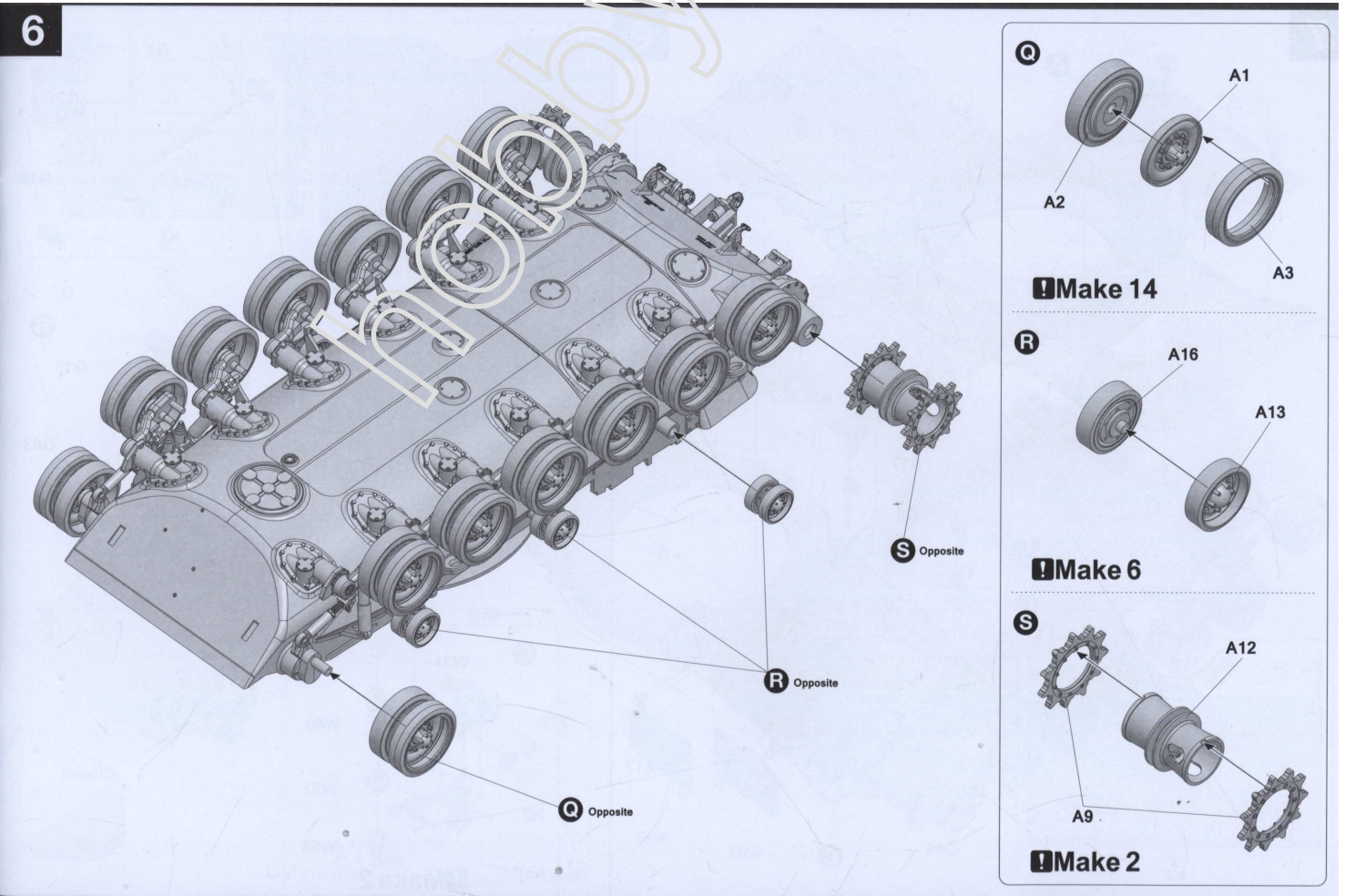
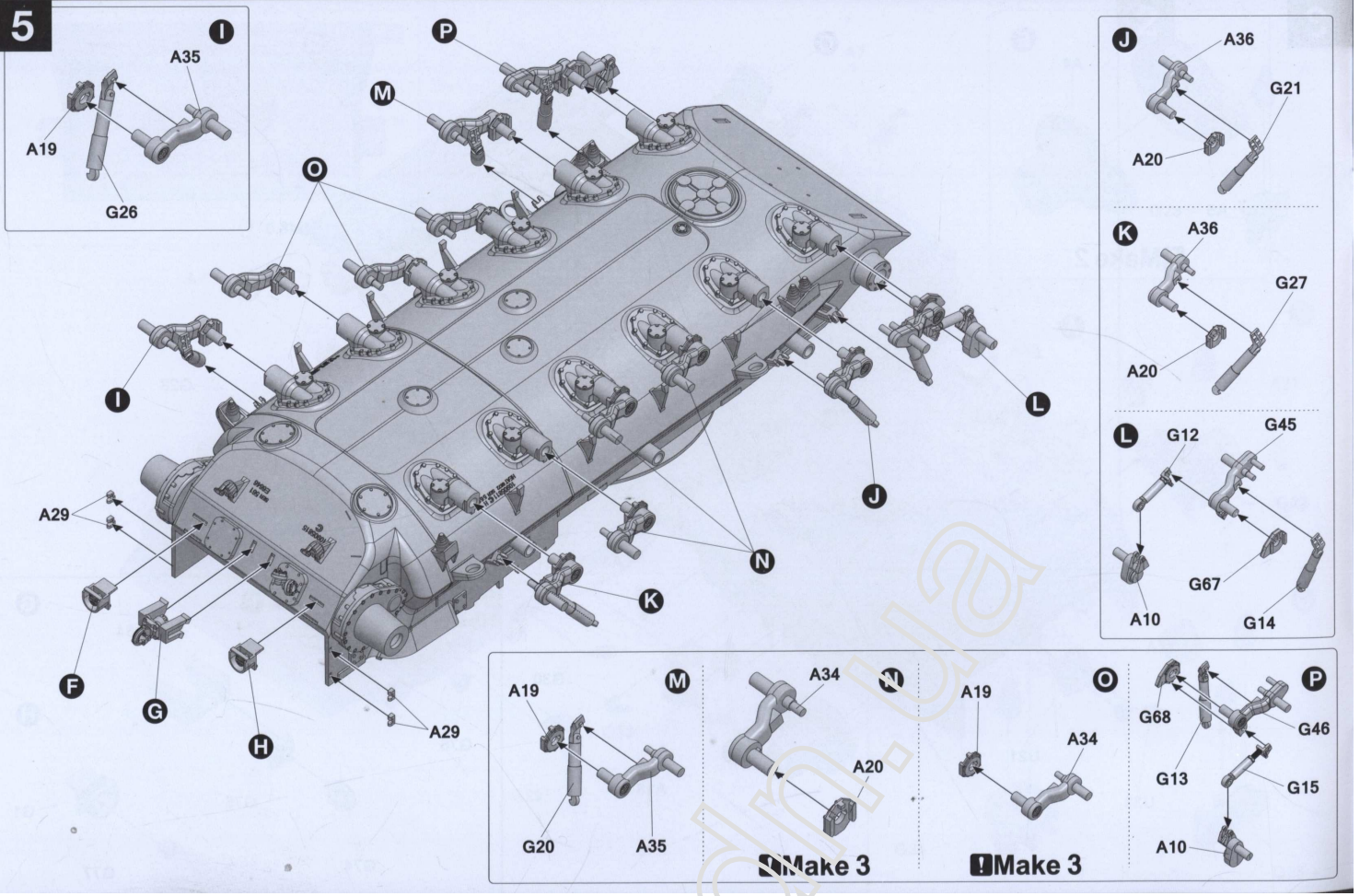
Work began on the bicentennial of the U.S.A. on the M60A3 variant, and featured numerous technological enhancements and enhanced upgraded turret armor protection. The M60A3 tank was built in two configurations: the earlier M60A3 Passive uses the same passive gunner's sight as the M60A1 Passive, the later version has a Tank Thermal Sight (TTS). This latter configuration replaced the gunner's sight with the Raytheon AN/VSG2 Tank Thermal Sight (TTS) and a Mercury-Cadmium-Telluride (HgCdTe) IR detector, allowing the gunner to see through fog, smoke and under starlight conditions without the aid of an IR searchlight, which improves first round hit capabilities.

03 02 2137

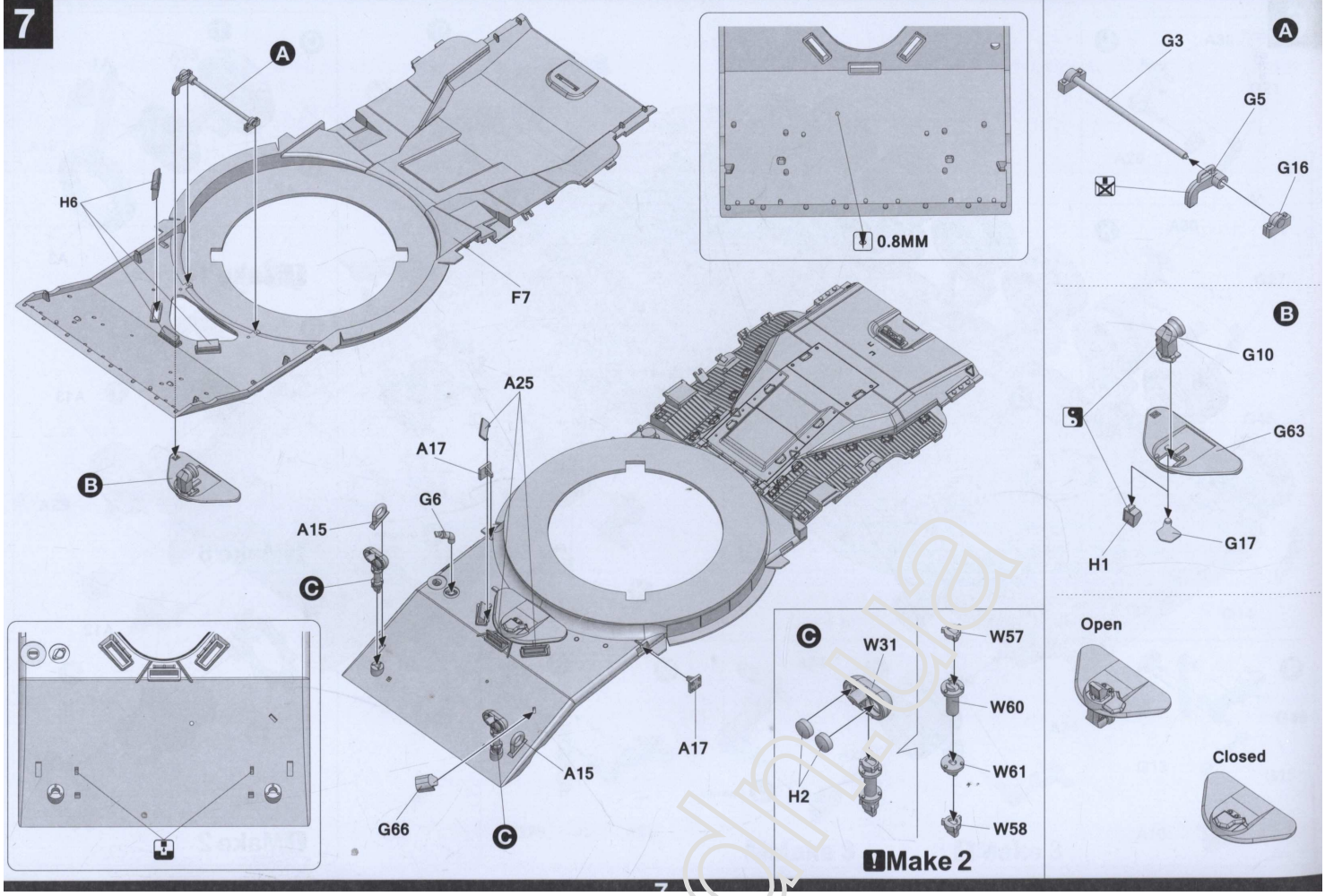
PARTS



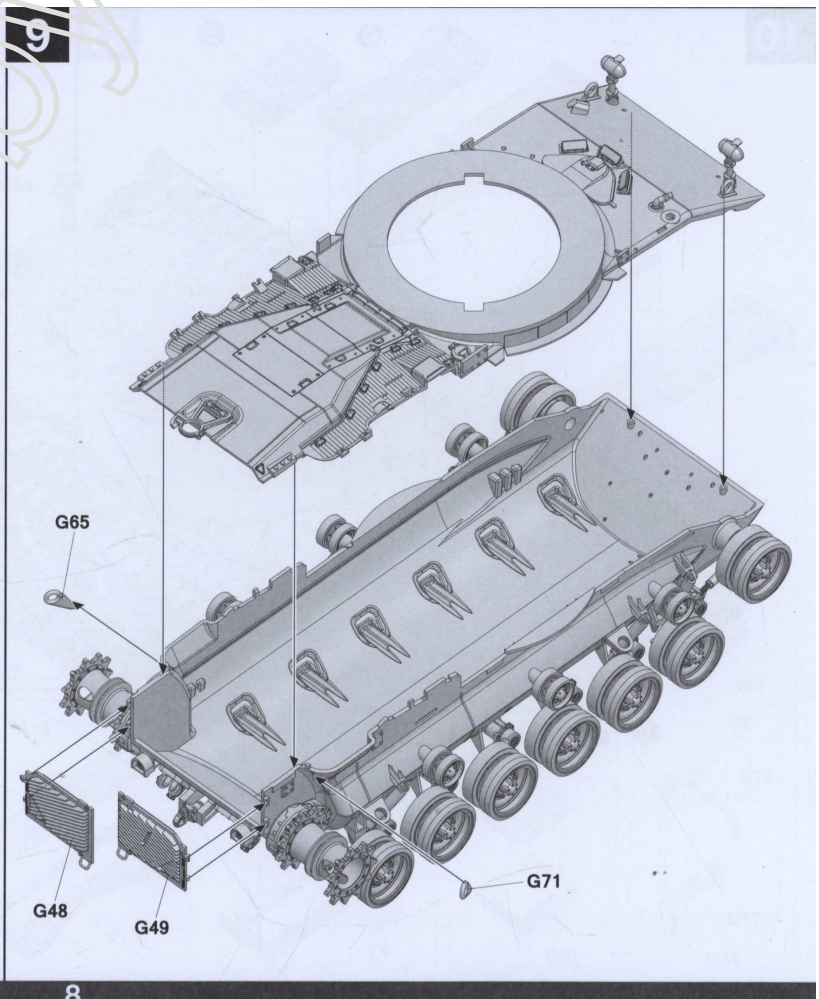
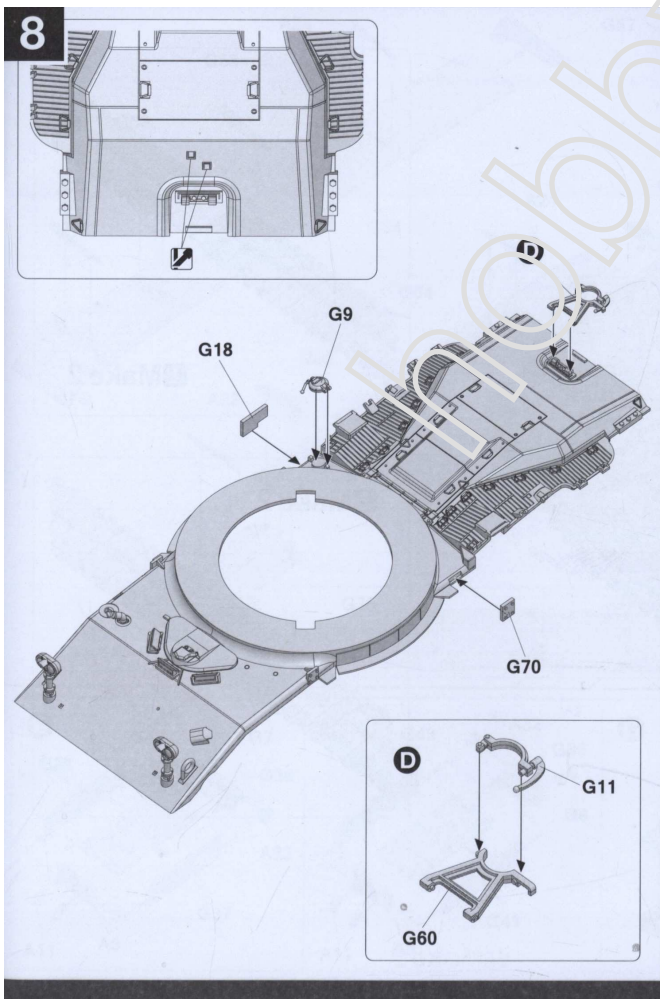




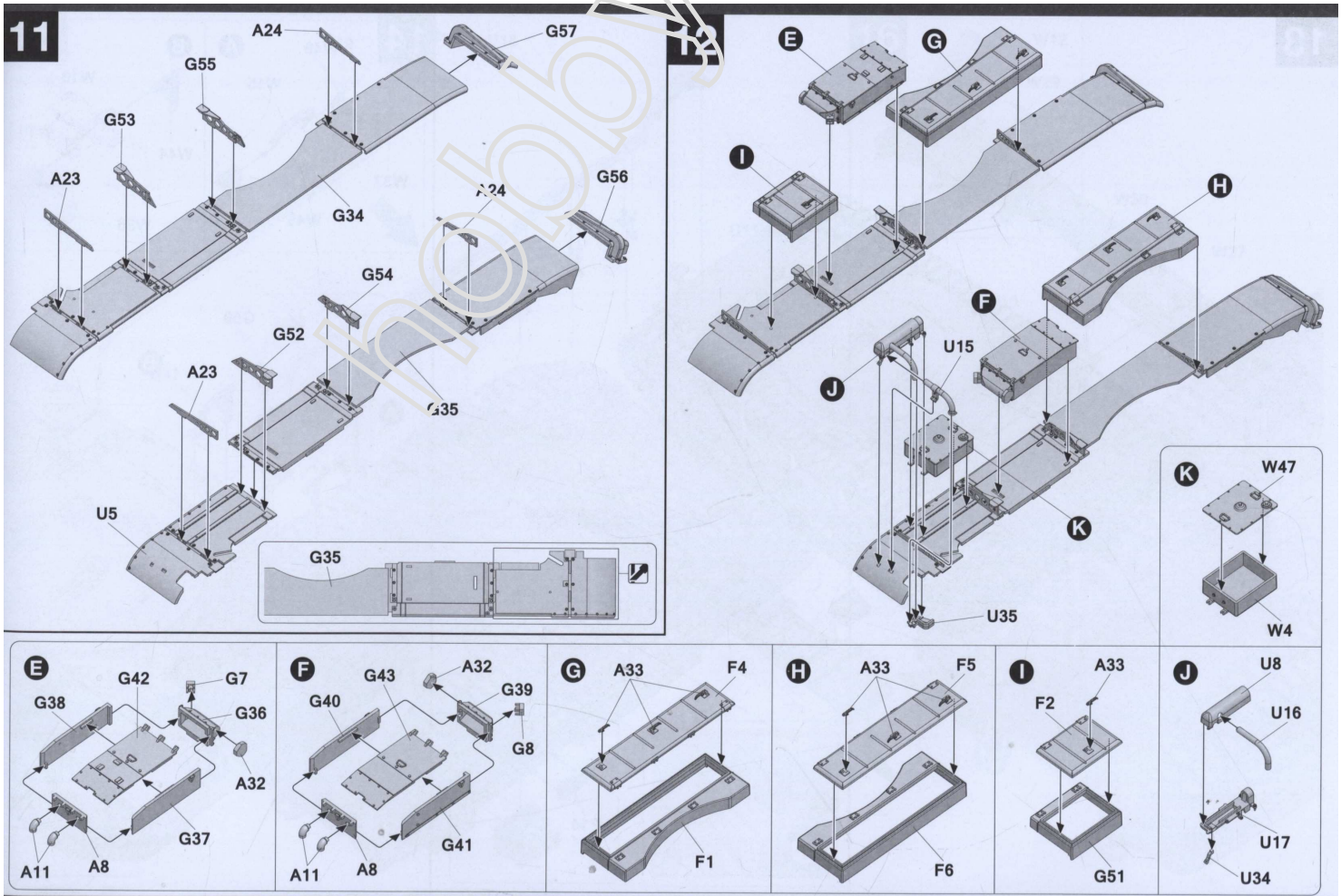
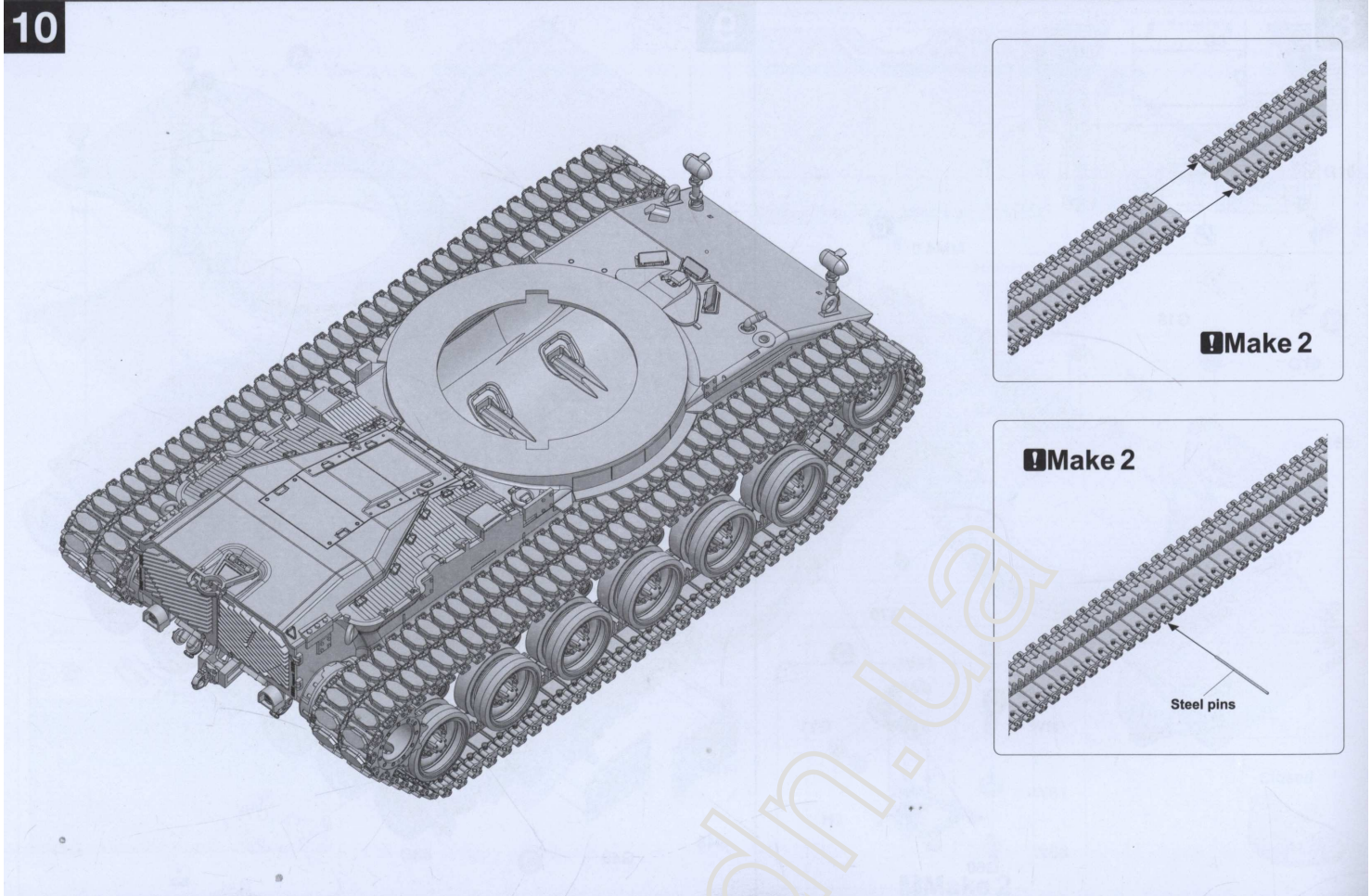
7



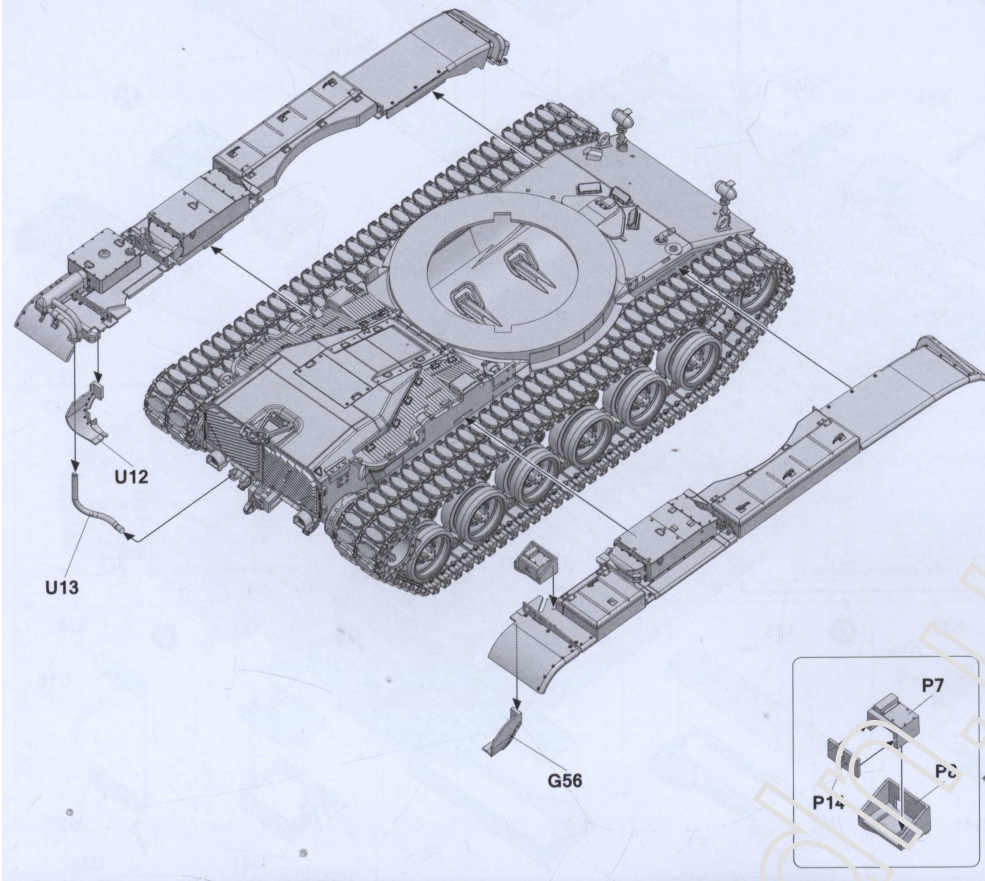
8



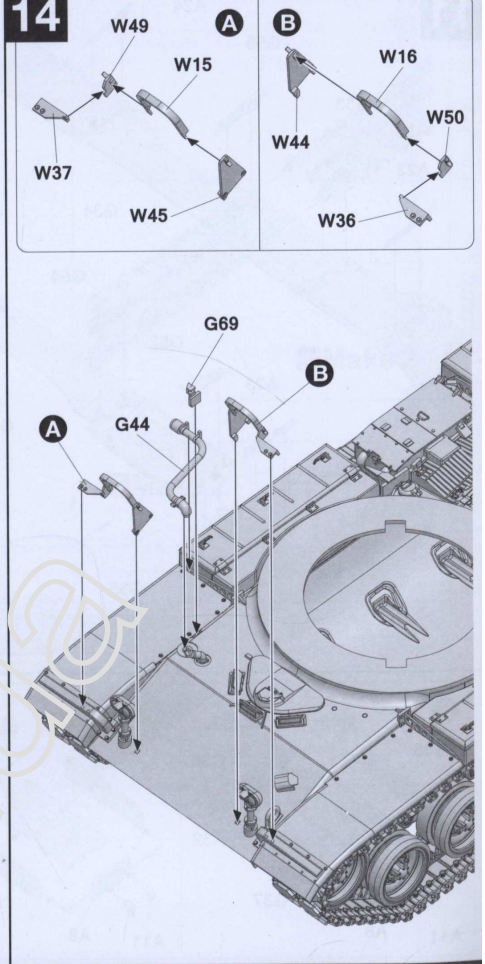
8



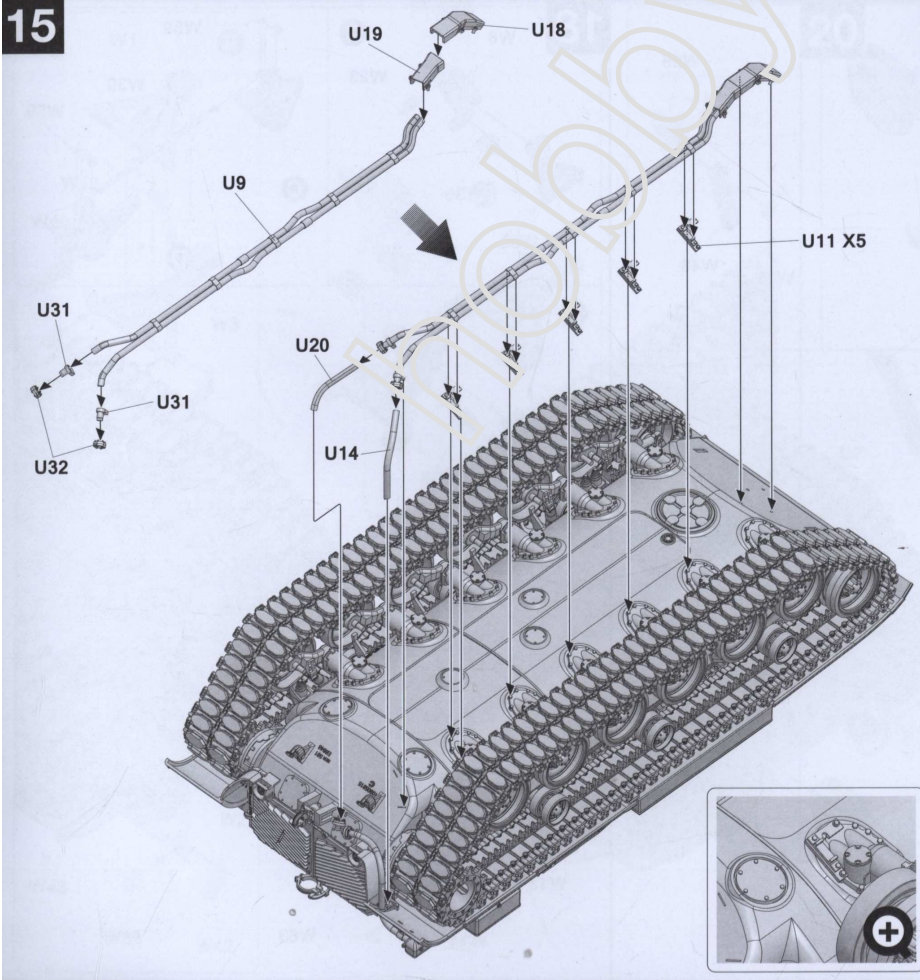
13



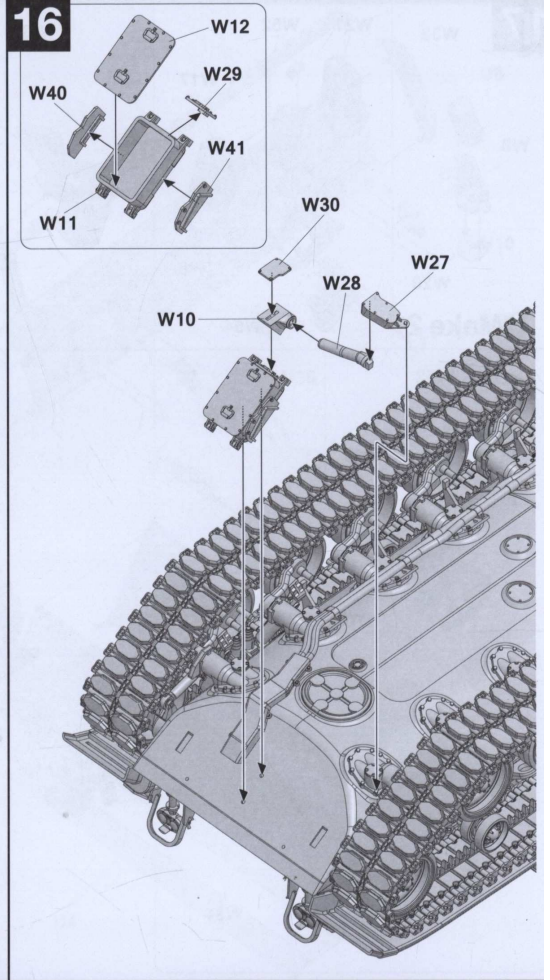
14



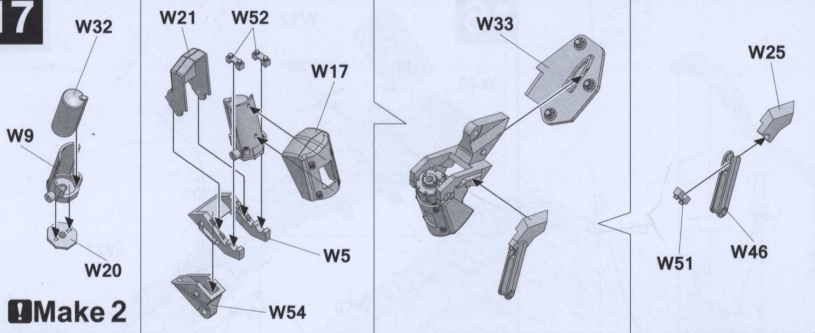
15



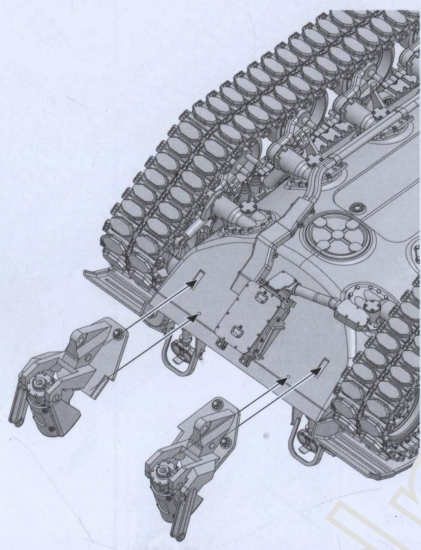
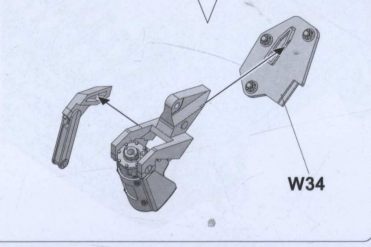
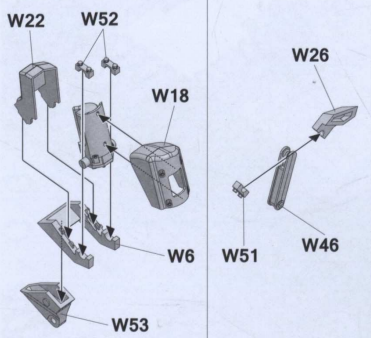
16



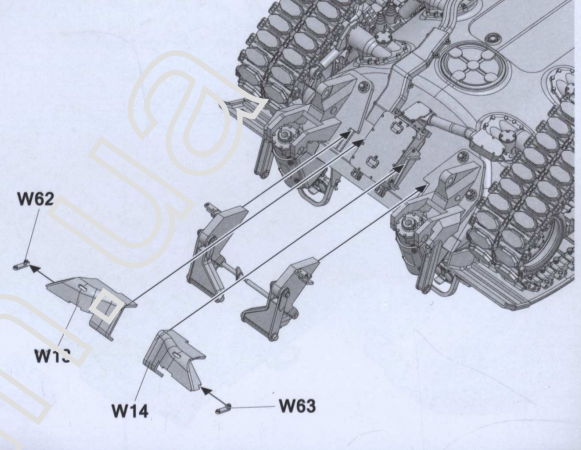
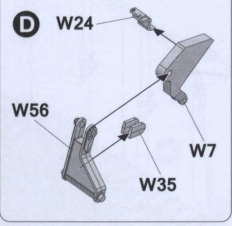
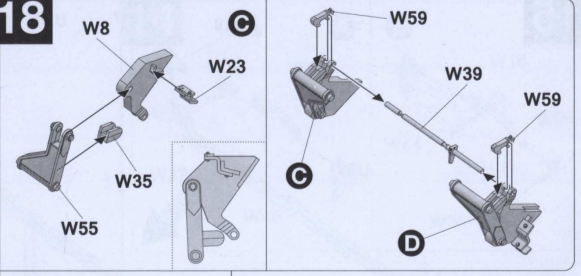
17



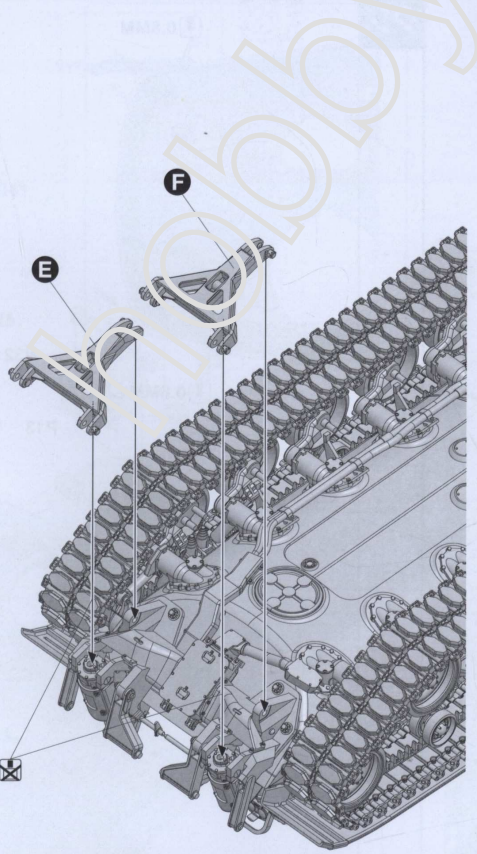
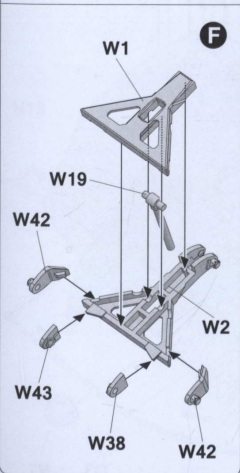
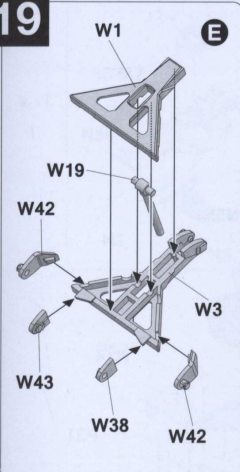
Make 2



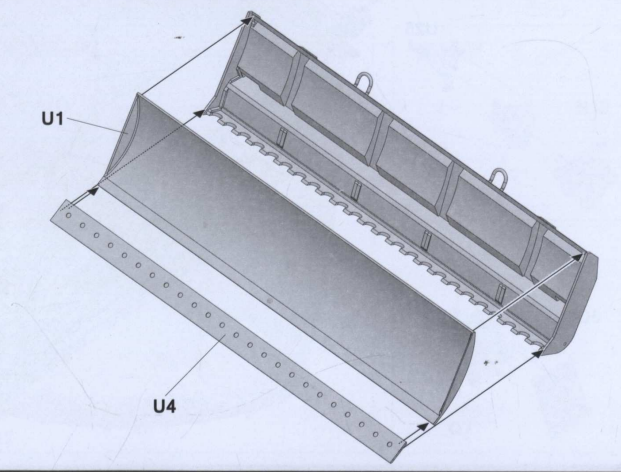
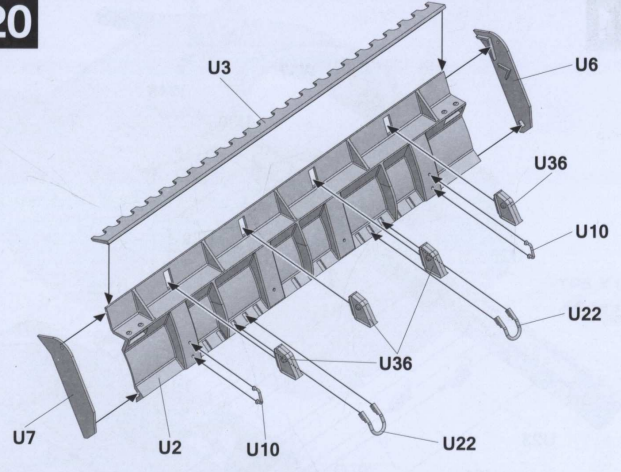
18



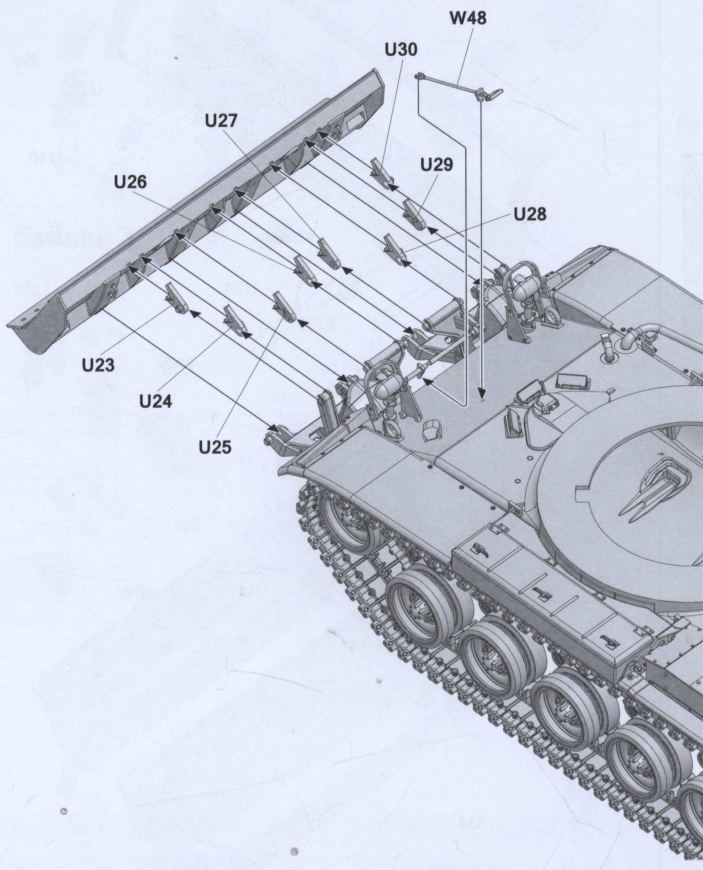
19



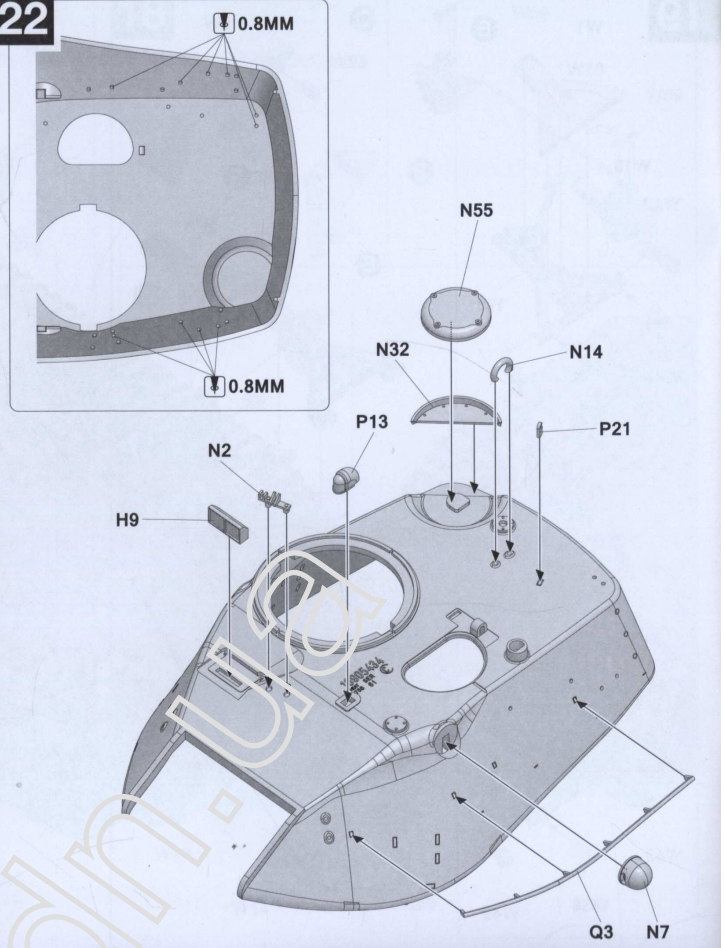
20



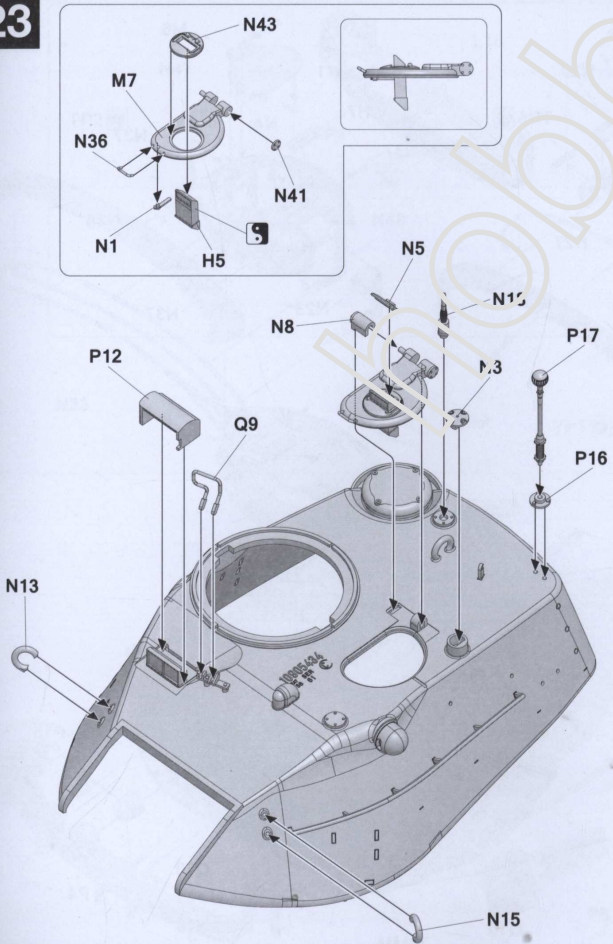
21



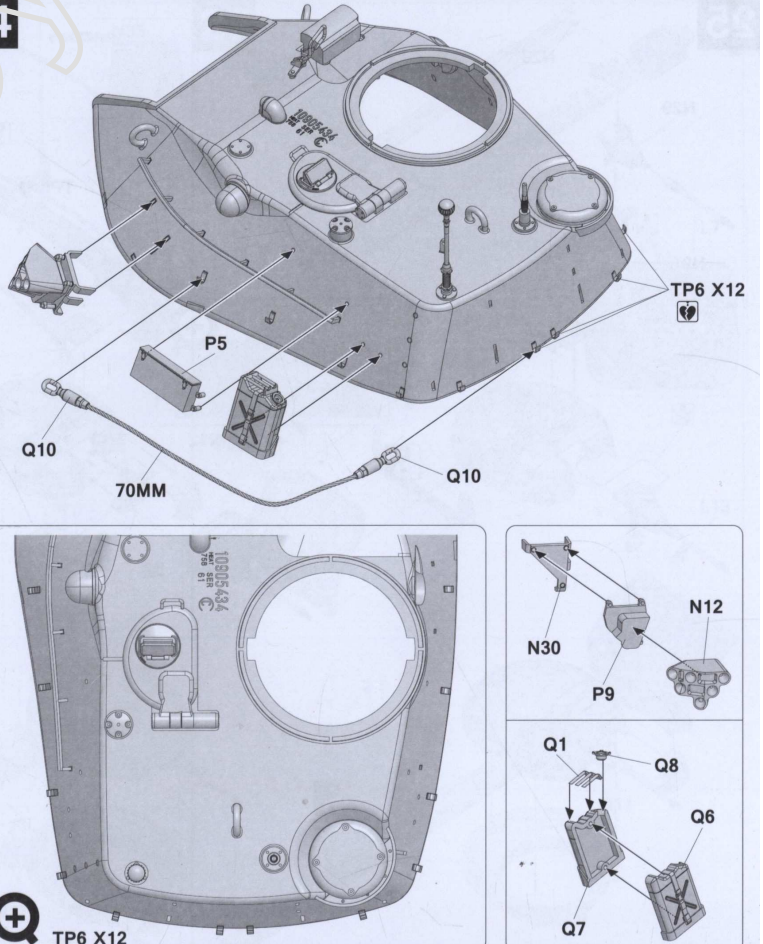
22



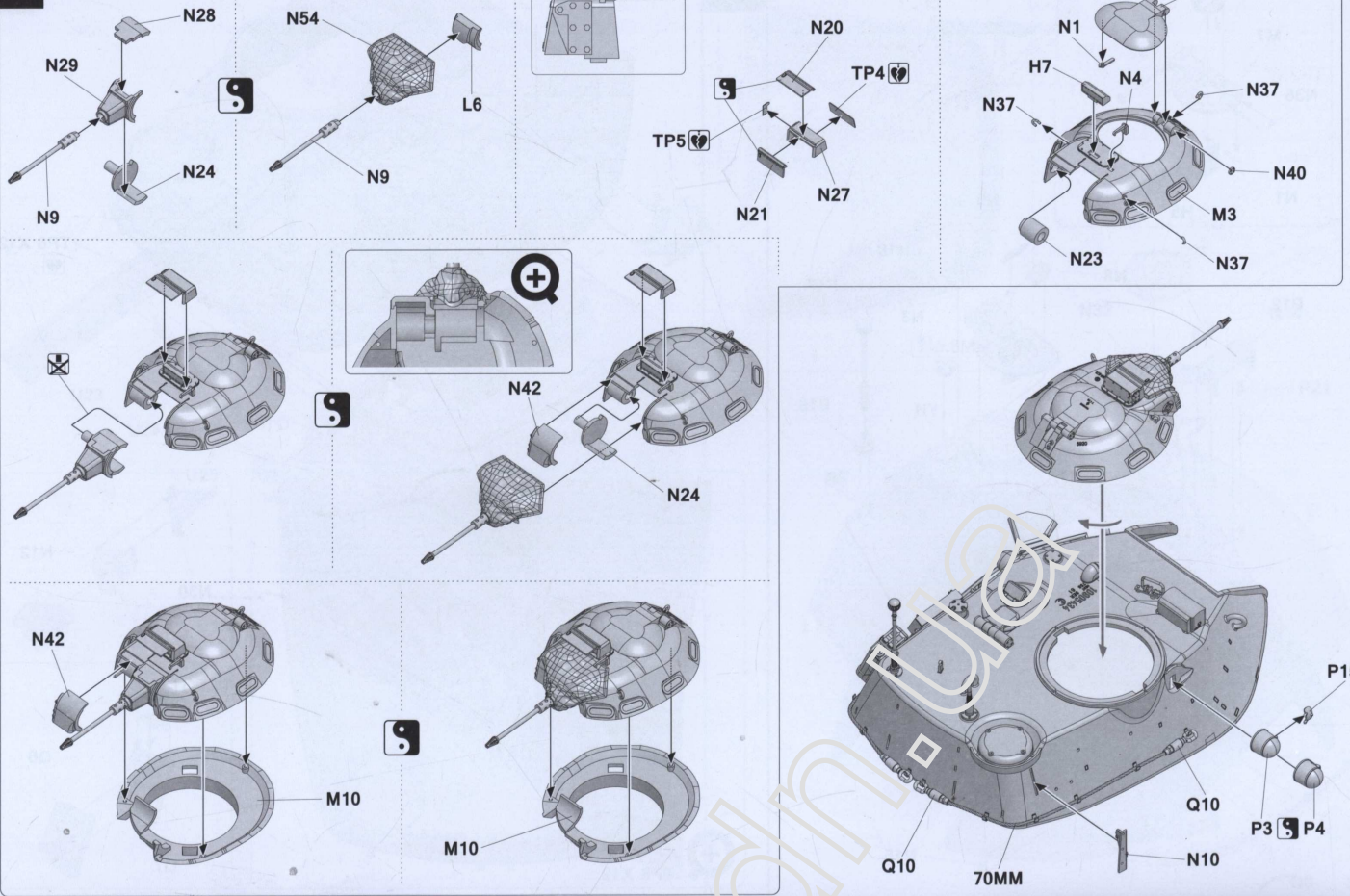
23



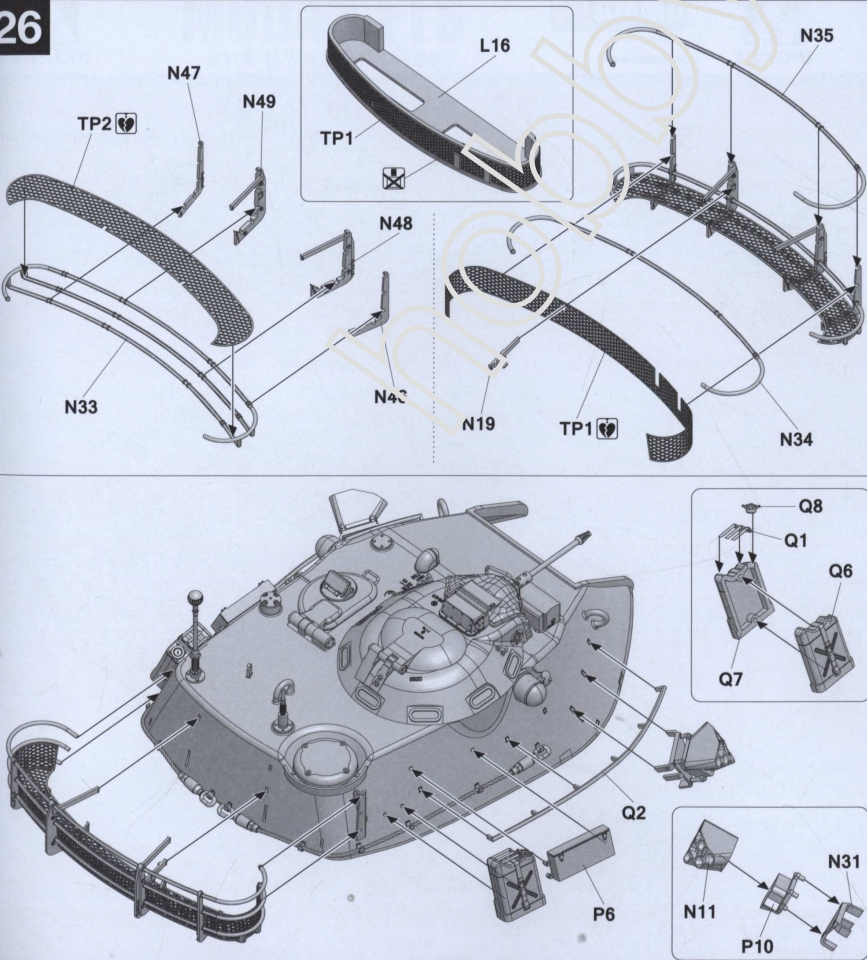
24



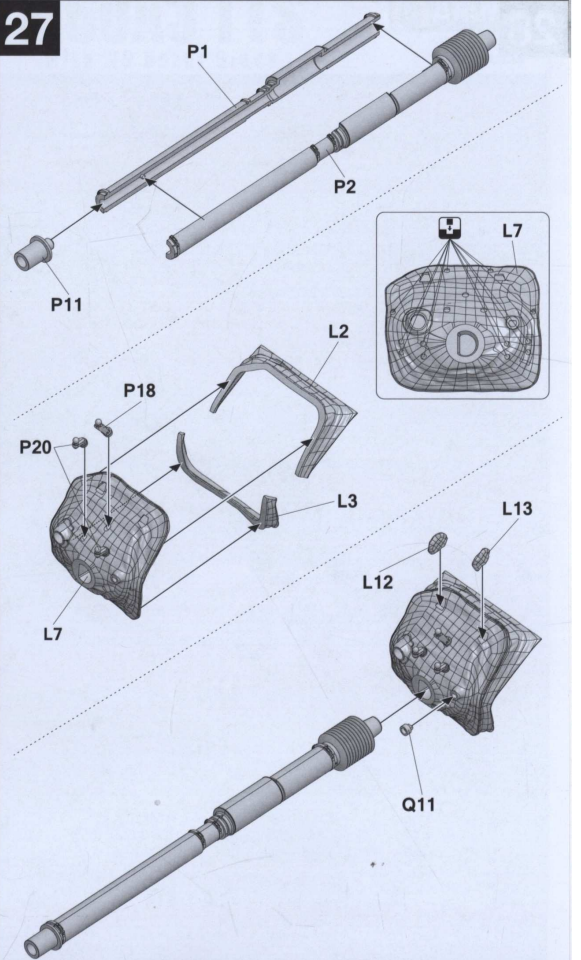
25

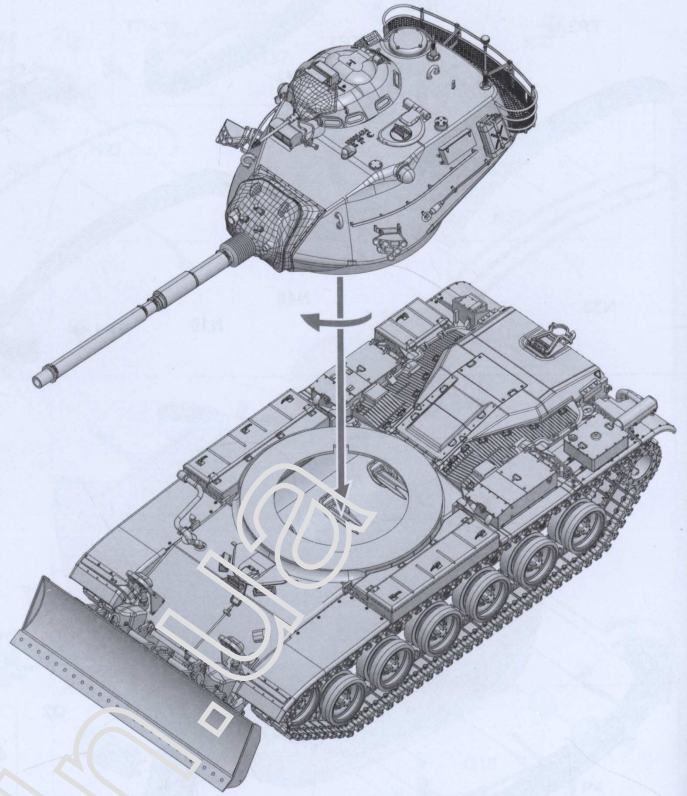
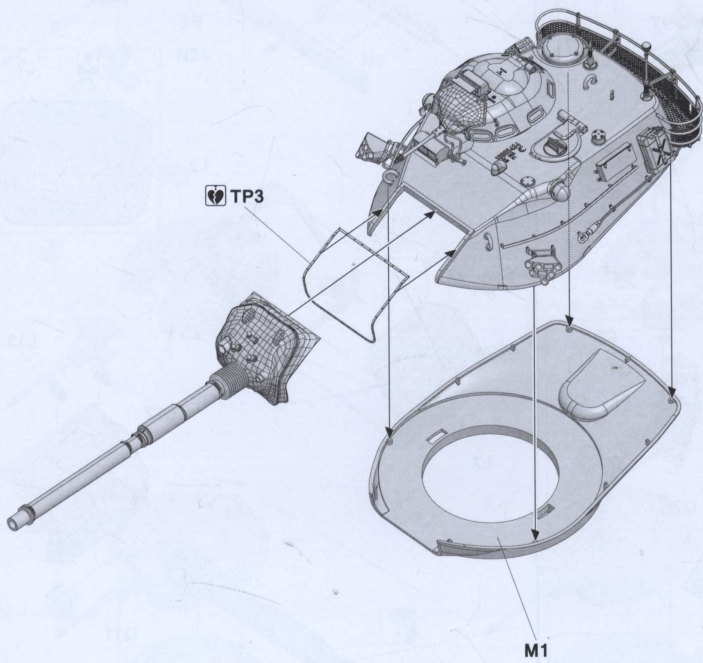


26



27



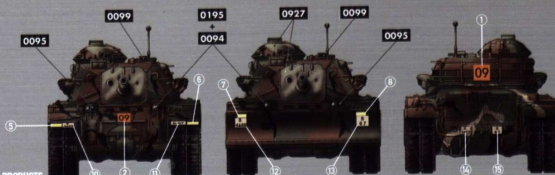
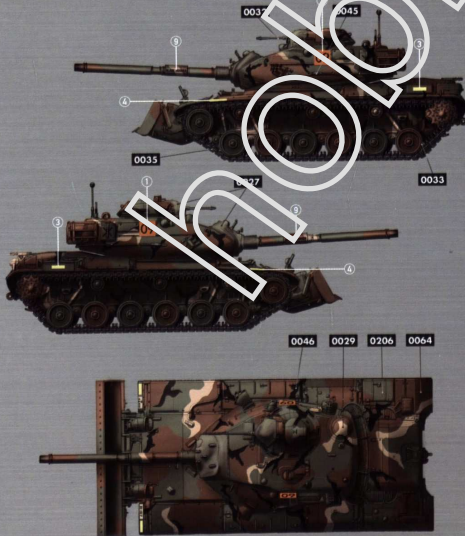


Painting and Marking Guide

TAKOM Ref: 2137

M60A3 TTS with M9 Dozer Blade

B Company, 4th Battalion,
69th Armored Regiment,
1st Brigade, 8th U.S.
Infantry Division, REFORGER 83,
Exercise "Confident Enterprise",
Federal Republic of Germany,
September 1983.



WEATHERING STEPS WITH AMMO PRODUCTS

- | | | | | |
|---|--|---|---------------------------------------|---------------------------------------|
| 1 GENERAL WASH
A.MMO-1008 Dark Wash | 3 STREAKING
A.MMO-1298 Dark Streaking Grime | 5 RAINMARKS
A.MMO-1258 Streakingbrusher Dust | 7 MUD
A.MMO-1753 Mud Ground | 9 FUEL
A.MMO-1409 Fuel Stains |
| 2 FILTER
A.MMO-1918 Tint for 3 Tone Camo | 4 TRACKS WASH
A.MMO-1002 Tracks Wash | 6 DIRT
A.MMO-2004 Europe Earth | 8 SPLASHES
A.MMO-1752 Loose Ground | 10 OIL
A.MMO-1408 Fresh Engine Oil |

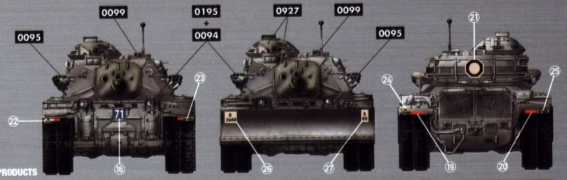
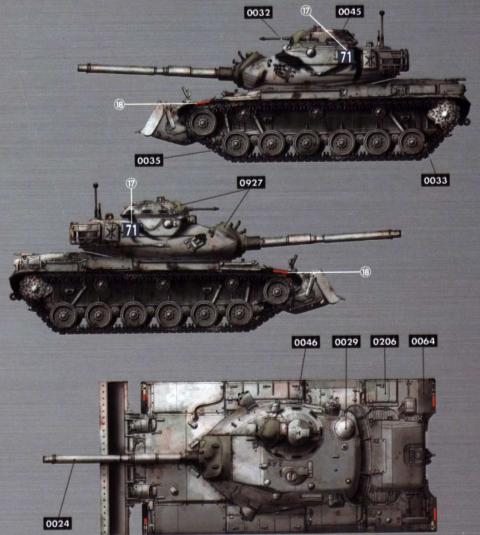
Painting and Marking Guide

TAKOM Ref: 2137

M60A3 TTS with M9 Dozer Blade

D Company, 2nd Battalion,
68th Armored Regiment,
2nd Brigade, 8th U.S. Infantry Division,
REFORGER 85, Exercise "Central Guardian",
Federal Republic of Germany,
January 1985.

- | | | | | |
|--------------------------|---------------------------|-------------------------------|----------------------------------|--------------------------|
| A.MMO-0018 Dark Tracks | A.MMO-0033 Rubber & Tires | A.MMO-0032 Slat Black | A.MMO-0145 Gun Metal | A.MMO-0178 Silver |
| A.MMO-0094 Crystal Glass | A.MMO-0095 Crystal Smoke | A.MMO-0098 Crystal Black Blue | A.MMO-0027 Chert Dred Light Blue | A.MMO-0204 FS 34079 Camo |
| A.MMO-0084 Earth Brown | A.MMO-0029 Desert Sand | A.MMO-0046 Matt Black | A.MMO-0084 Remotely Washed Camo | |



WEATHERING STEPS WITH AMMO PRODUCTS

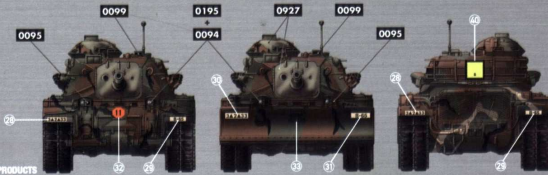
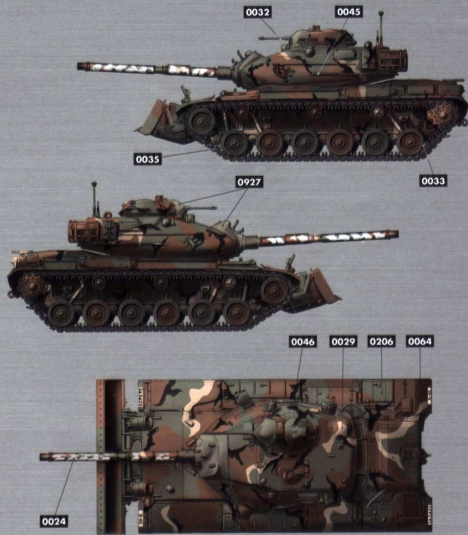
- | | | | | |
|--|--|--|-------------------------------------|---------------------------------------|
| 1 GENERAL WASH
A.MMO-1010 Neutral Wash | 3 STREAKING
A.MMO-1295 Streakingbrusher Water Grime | 5 WHITE CAMO STREAKS
A.MMO-3501 Olivebark White | 7 MUD
A.MMO-1705 Wet Mud | 9 FUEL
A.MMO-1408 Fuel Stains |
| 2 FILTER
A.MMO-1902 Dark Grey for White | 4 TRACKS WASH
A.MMO-1002 Tracks Wash | 6 DIRT
A.MMO-3029 Winter Soil | 8 SPLASHES
A.MMO-1754 Dump Earth | 10 OIL
A.MMO-1408 Fresh Engine Oil |

Painting and Marking Guide

TAKOM Ref: 2137

M60A3 TTS with M9 Dozer Blade

B Company, 2nd Battalion,
33rd Armored Regiment,
1st Brigade, 3rd Armored Division,
REFORGER 85, Exercise "Central Guardian",
Federal Republic of Germany,
January 1985.



WEATHERING STEPS WITH AMMO PRODUCTS

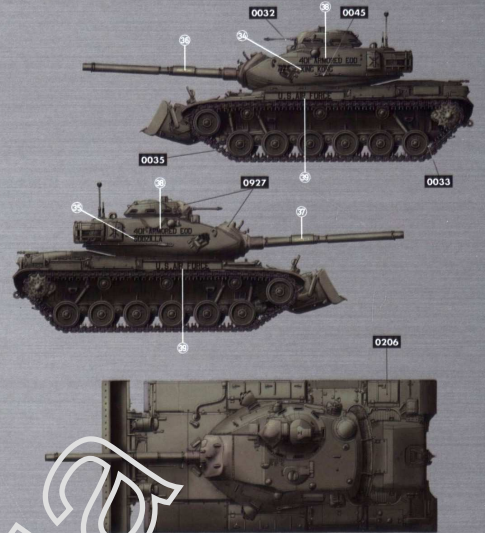
1 GENERAL WASH A.MIG-1000 Dark Wash	3 STREAKS A.MIG-1256 Dark Streaking Grime	5 RAINMARKS A.MIG-1258 Streaking/grime Dust	7 MUD A.MIG-1704 Heavy Earth	9 FUEL A.MIG-1400 Fuel Stains
2 FLETS A.MIG-1510 Tan for 3 Tone Camo	4 TRACKS WASH A.MIG-1002 Tracks Wash	6 DUST A.MIG-3004 Europe Earth	8 SPLASHES A.MIG-1753 Turned Dirt	10 OIL A.MIG-1408 Fresh Engine Oil

Painting and Marking Guide

TAKOM Ref: 2137

M60A3 TTS with M9 Dozer Blade

Explosive Ordnance Disposal Detachment,
401st Tactical Fighter Wing (Provisional),
United States Air Force,
Doha, Qatar, 1991.



WEATHERING STEPS WITH AMMO PRODUCTS

1 GENERAL WASH A.MIG-1000 Dark Wash A.MIG-1400 Green Wash	3 STREAKS A.MIG-1203 Streaking Grime	5 TRACKS WASH A.MIG-1002 Tracks Wash	7 MUD A.MIG-1702 Turned Earth	9 FUEL A.MIG-1400 Fuel Stains
2 FLETS A.MIG-1500 Green A.MIG-1508 Green-Grey Green	4 RAINMARKS A.MIG-1258 Streaking/grime Dust	6 DUST A.MIG-3018 Middle East Dust	8 SPLASHES A.MIG-1751 Dry Slope	10 OIL A.MIG-1408 Fresh Engine Oil

hobby.com