

35105

產品編號: 35105

scale 1/35

1:35 比例



1/35 German Bergepanzer Hetzer Late with 2cm Flak

Go through this assembly guide and understand it before you start kit assembly
Use usual plastic kit's cements and tools (not included in the kit)
Follow painting guide supplied, use only hobby paints
Work carefully with photo etched parts if included, use C/A glues to assemble them

請您在組裝此產品前仔細閱讀組裝指南;
請使用通用塑膠模型黏合劑和工具(本產品不附帶);
本產品所以提供的噴塗指南只適用本於模型;
如果本產品含有蝕刻套件,請小心仔細處理,請使用C/A膠水組裝;



cut/remove

切下 / 移除



drill hole

鑽孔



no glue

不適用膠水



bend

折彎



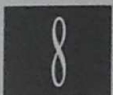
cyanoacrylate glue

氰基丙烯酸酯膠水



string or wire

細繩或者金屬絲線



rope

繩



painting area during assembly
recommended (ref. to AMMO colors)

裝配過程中的噴漆區域推薦
(請參考AMMO顏色)



PE - press rivets (lines)
from the etched off side

蝕刻片 -
請从蚀刻掉的一侧压铆钉 (线)

Bergepanzer 38(t) was a recovery vehicle based on Hetzer's base, with lower open-top superstructure, manufactured by BMM company in Prague. The plans were approved in September 1944 and called for production of 170 vehicles until the end of 1944. In fact just 101 vehicles were built. To meet the production plans it was decided to convert 64 summer production's Hetzers into armoured recovery vehicles, but it is unknown how many were actually converted. Production was much slower than plans, and total number of about 180 vehicles was finished until the end of the war.

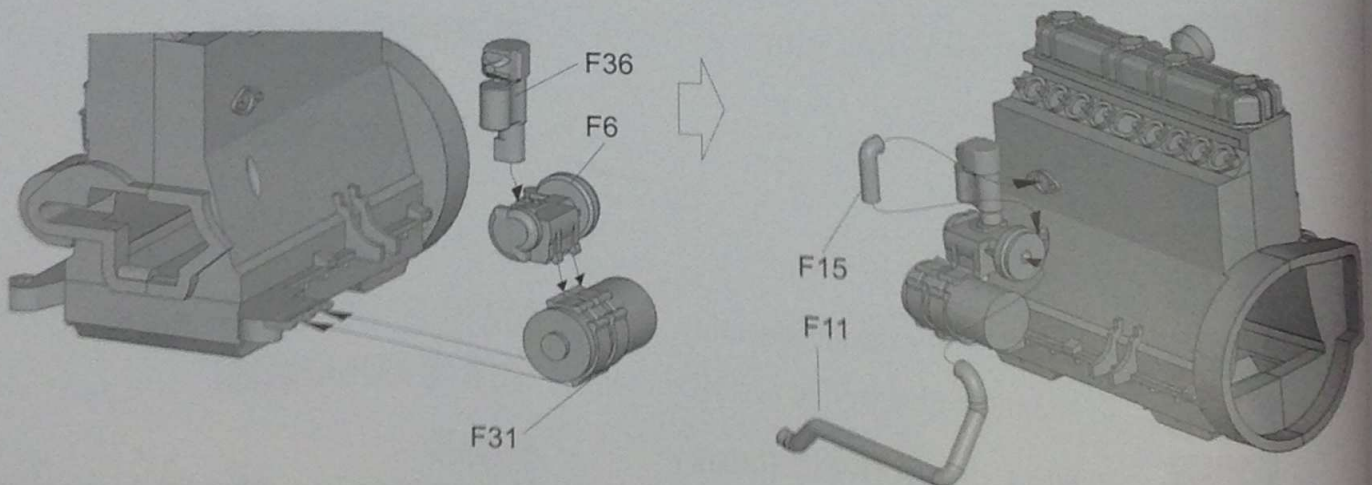
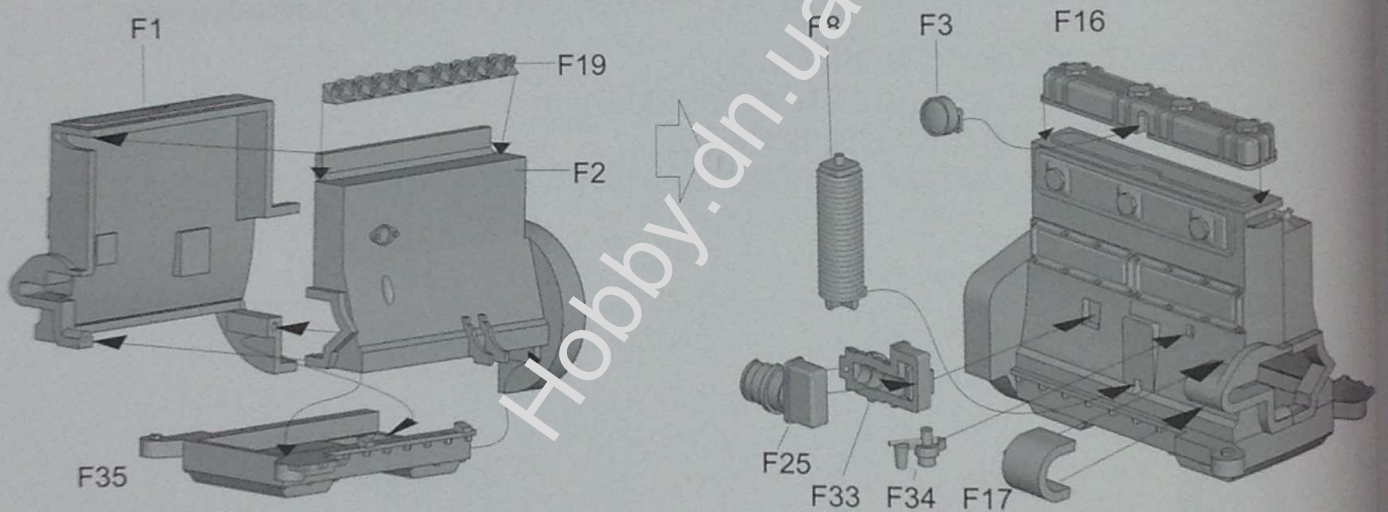
The Bergepanzer was equipped with two-ton folding jib crane used to handle engines and other heavy components. Additionally the recovery vehicle was equipped with five-ton winch of Baumgarten company. The winch was driven by the vehicle's engine through transmission system. At the end a blade was installed at the rear of the hull, but it is again unclear how many vehicles were equipped with it. There were also some development works to install the blade at the front of the vehicle, as seen in the company blueprints, but probably these plans were never realized. At the end of WWII some of these vehicles were fitted with 2CM Flak 38, and limited references show an interesting mixtures of early and late Hetzer production elements documented.

Kit TM35105 Limited Bonus Edition (includes engine compartment and bonus PE parts)

Kit TM35105 Standard edition (excludes engine compartment)

Engine assembly (Limited Bonus Edition only)

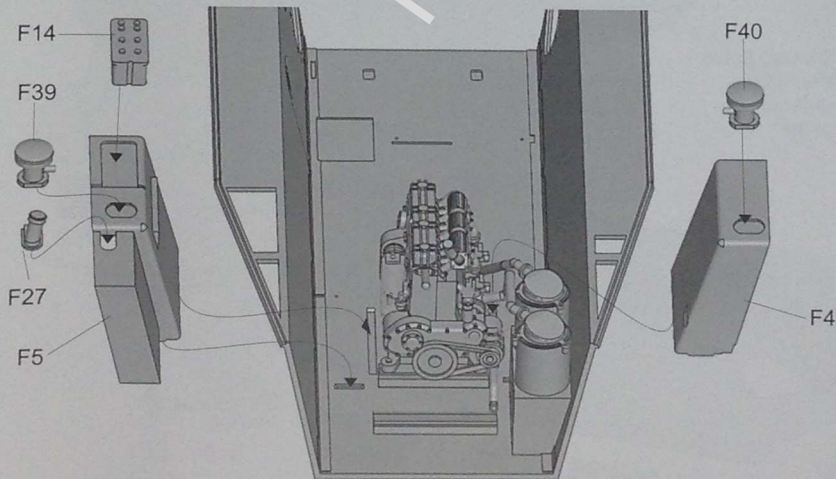
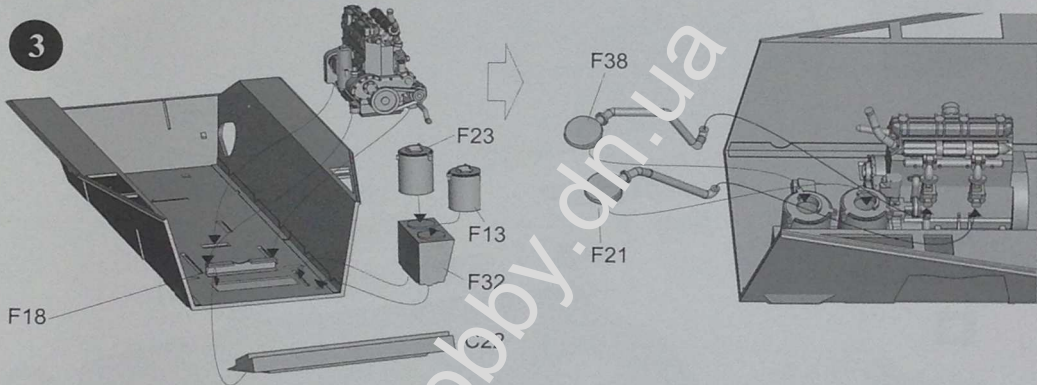
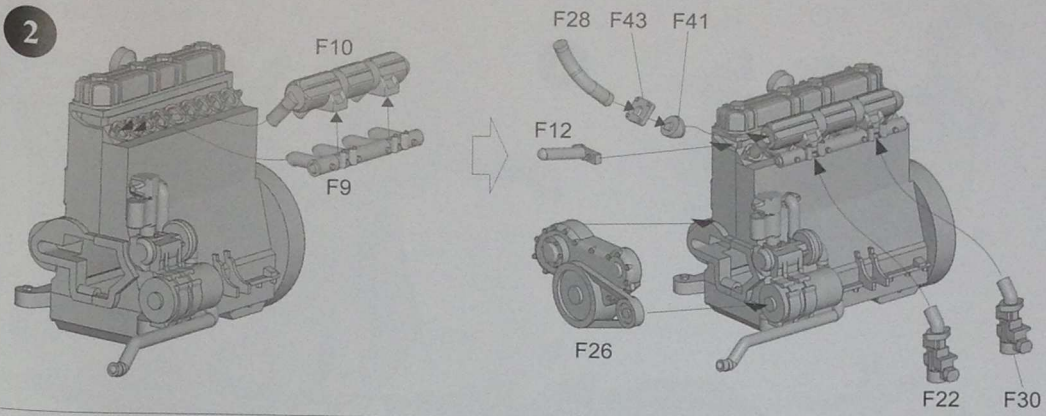
1

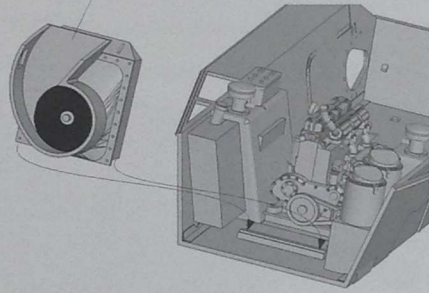
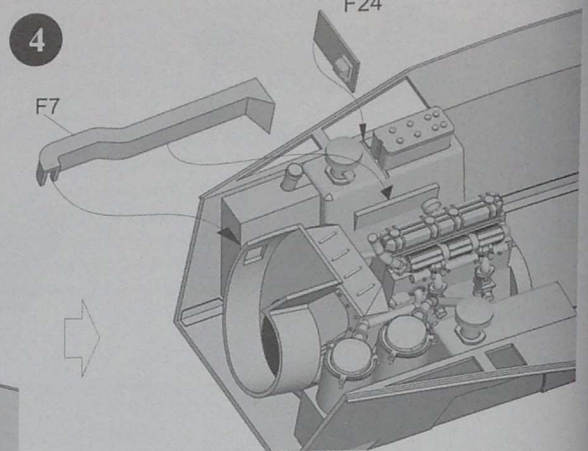
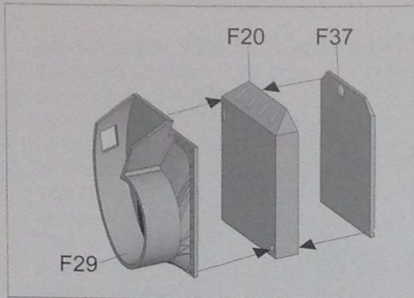


2

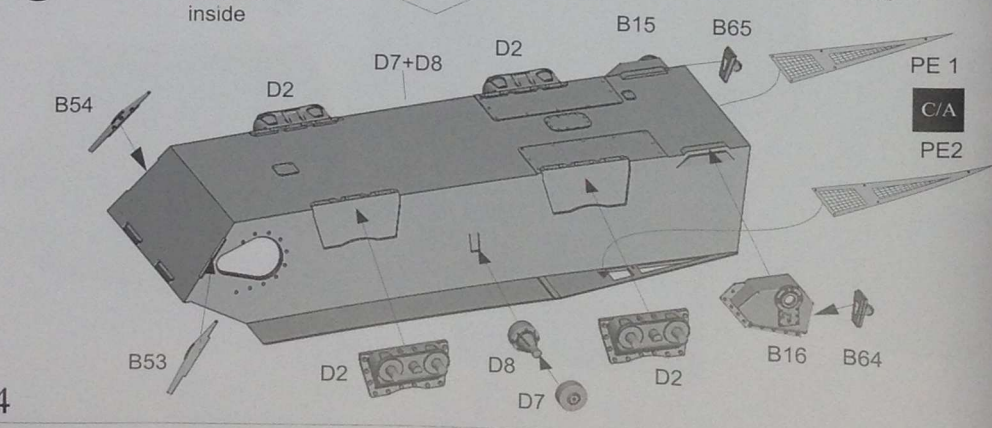
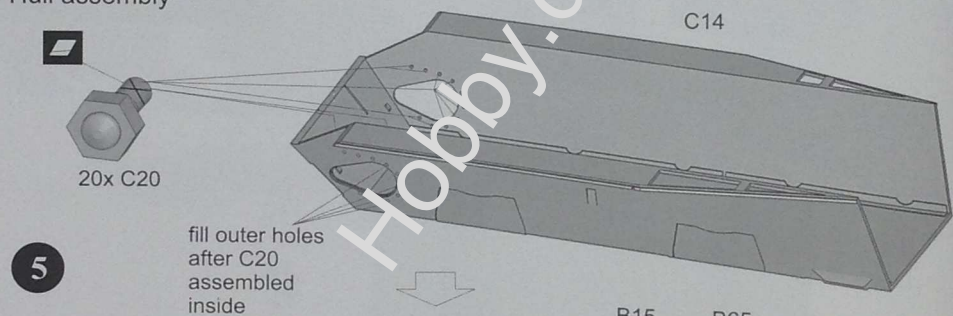
structure,
called for
the production
of these, but it is
a small number

er heavy
n company.
e was
. There
e company
ehicles
late





Hull assembly

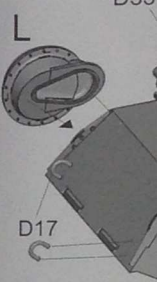


4

R B28



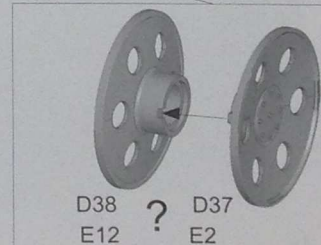
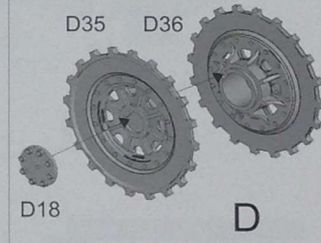
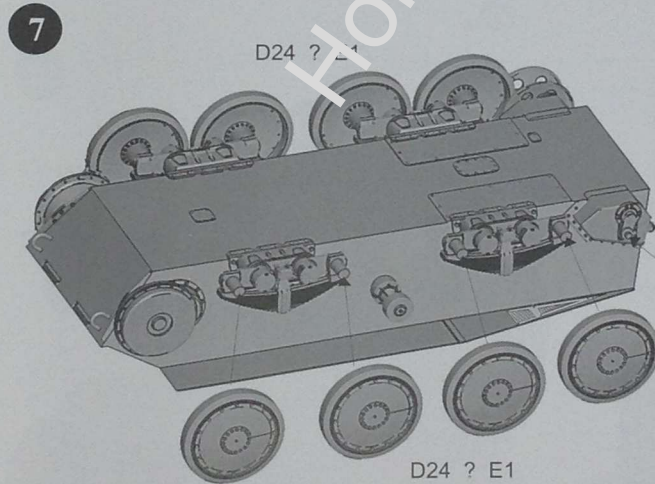
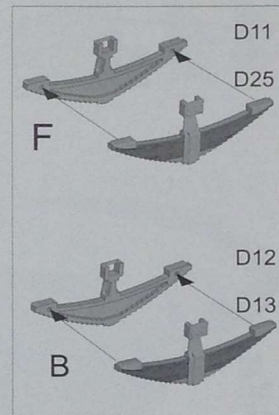
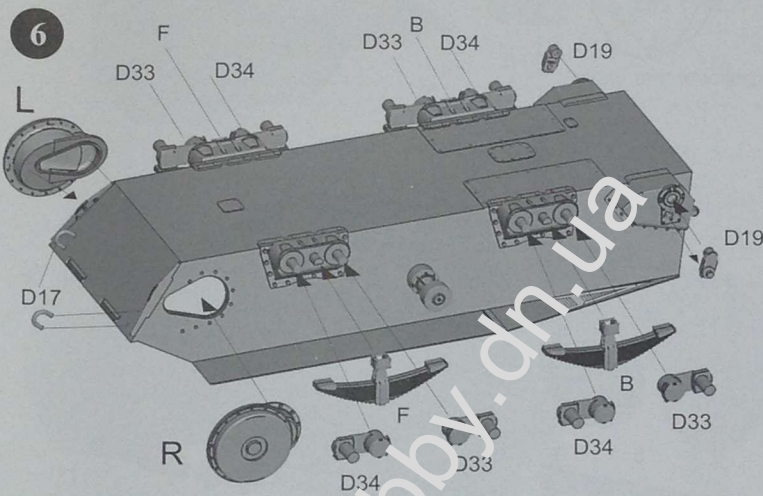
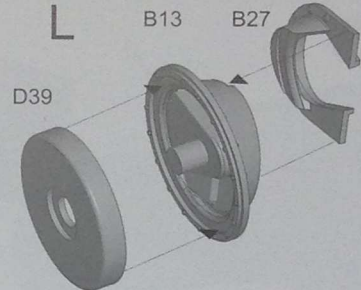
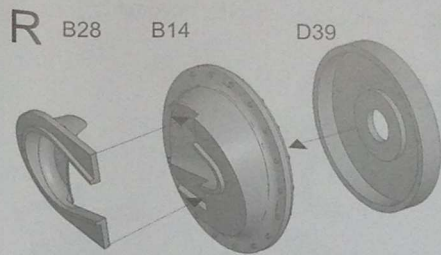
6



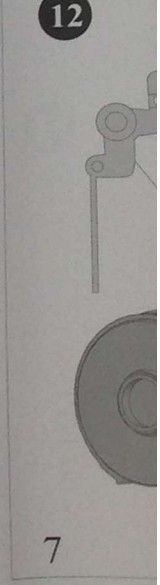
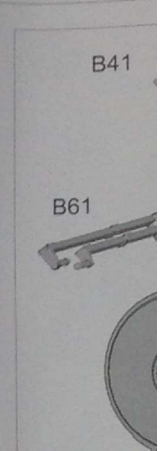
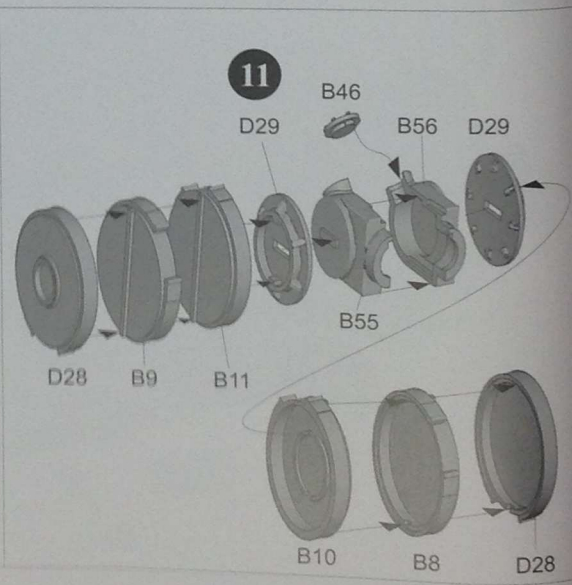
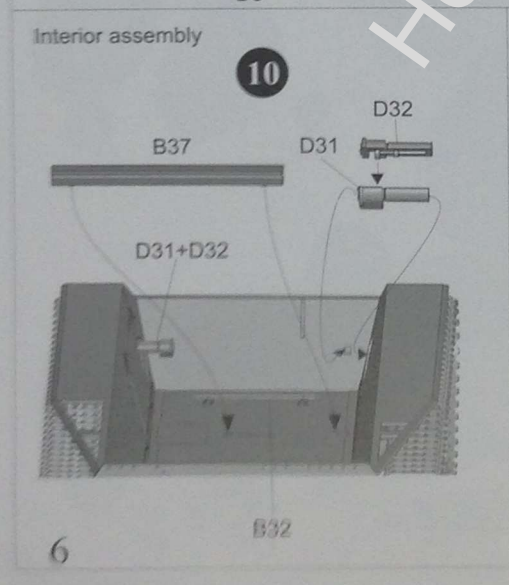
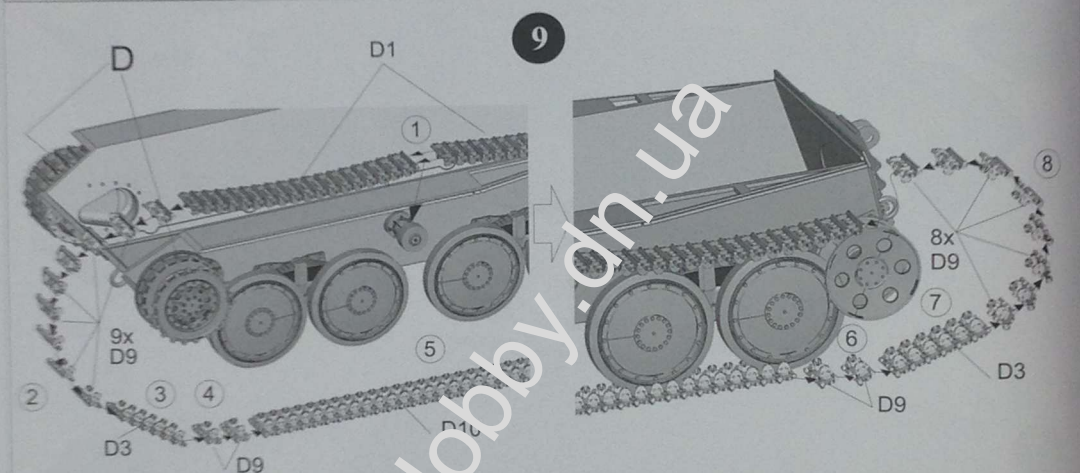
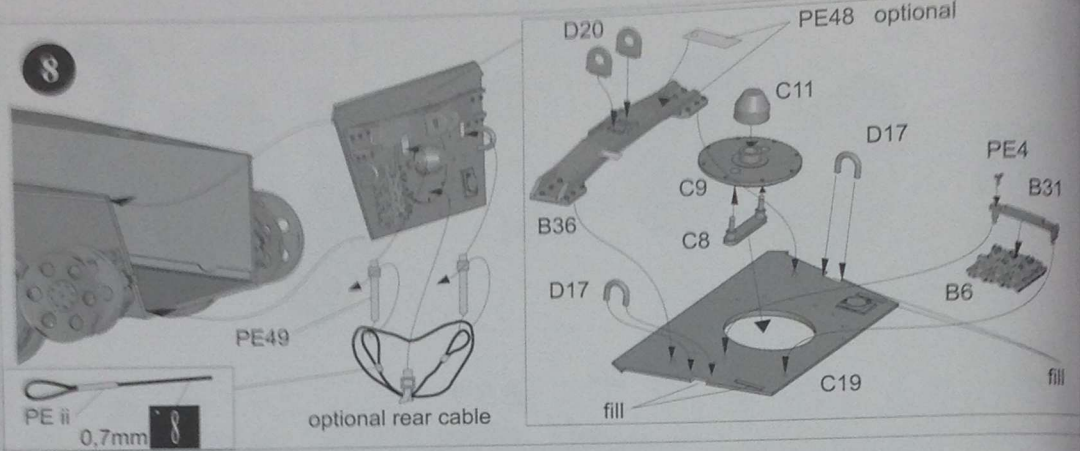
7



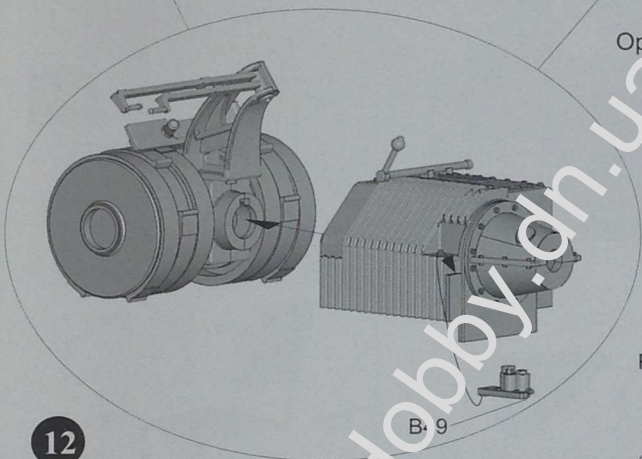
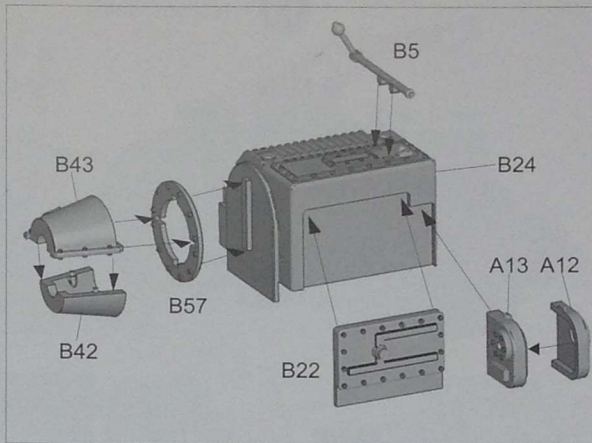
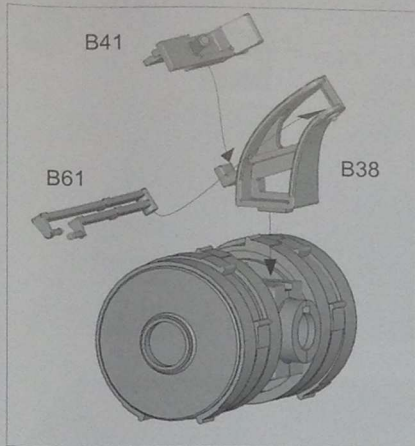
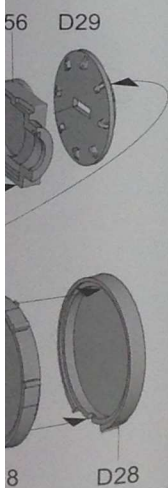
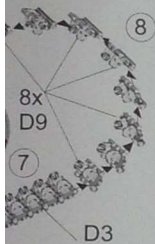
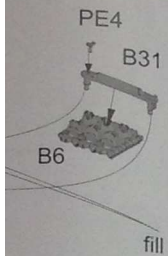
5



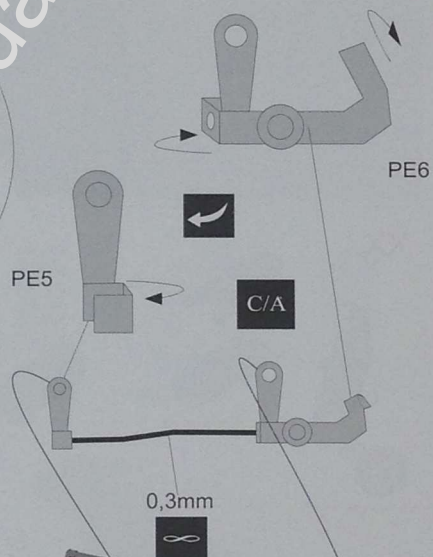
PE 1
C/A
PE 2



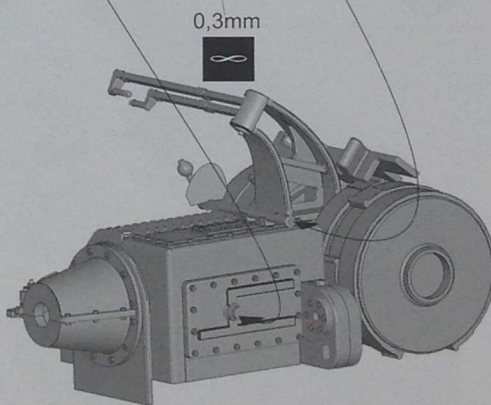
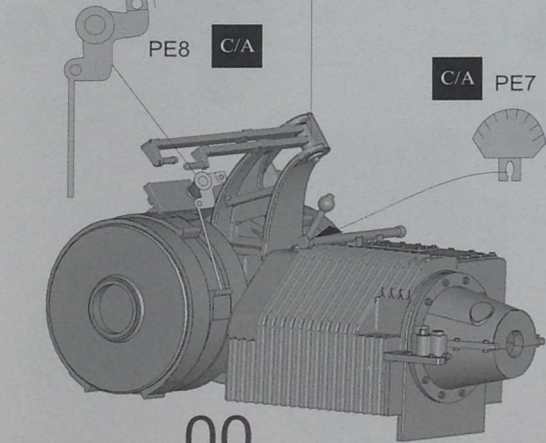
onal



Optional detail - PE 5,6,8,9,10,11,12



12

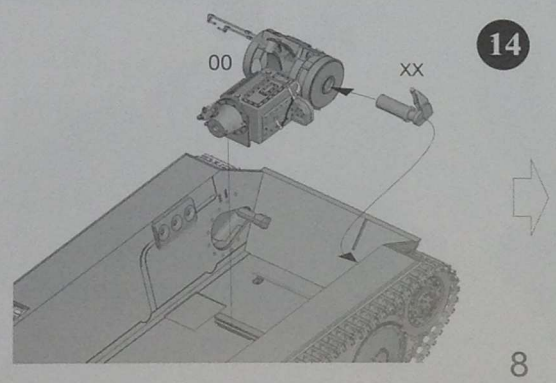
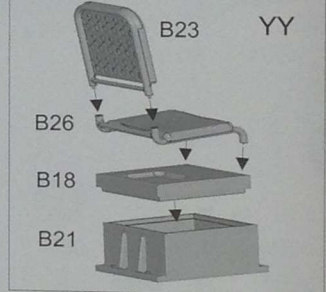
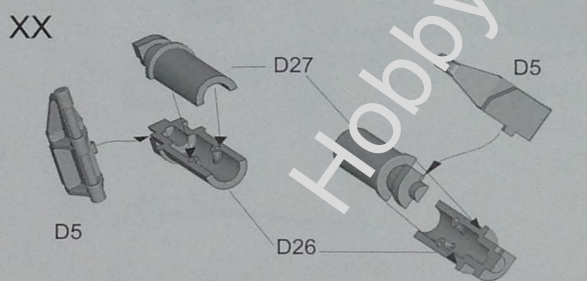
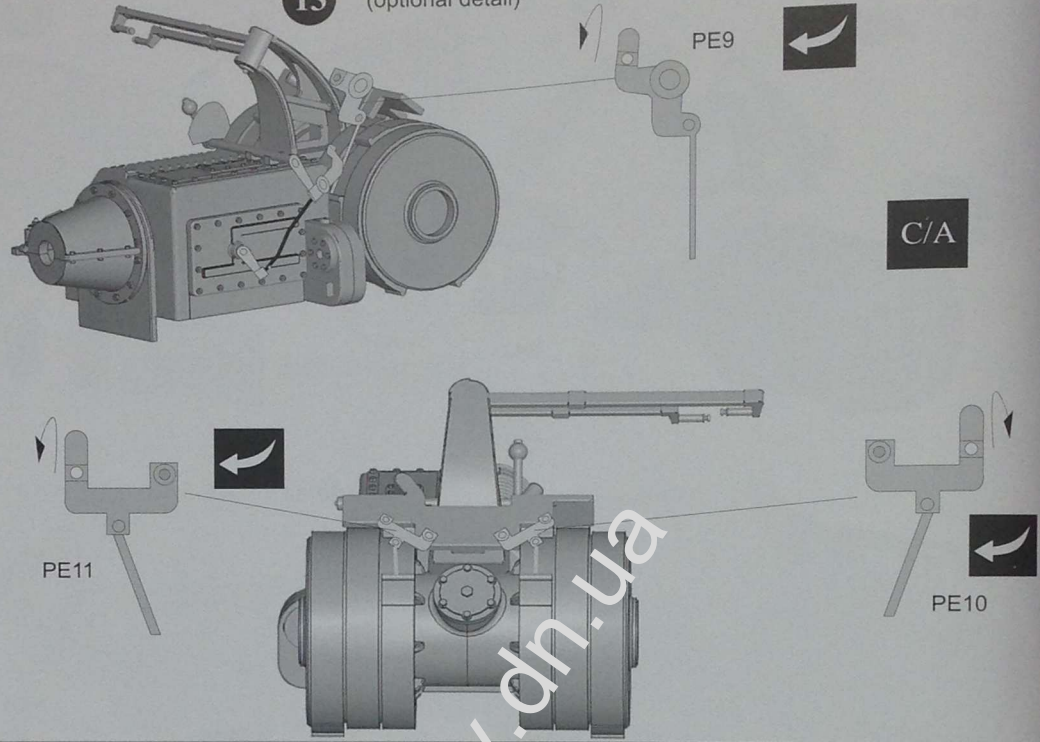


7

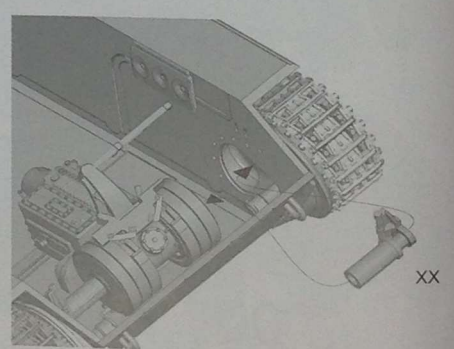
00

Hobby.dn.ua

13 (optional detail)



14



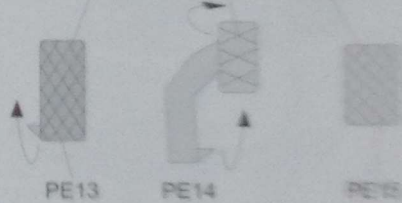
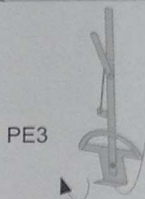
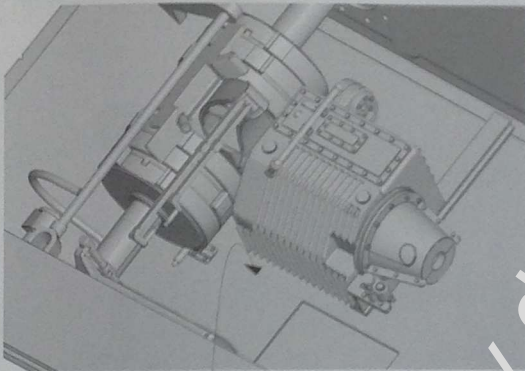
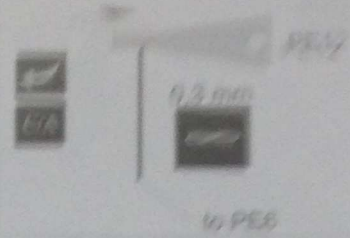
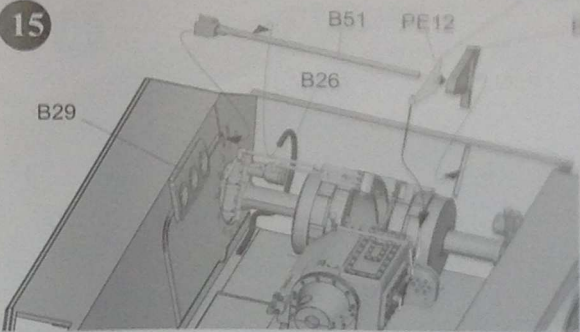
15



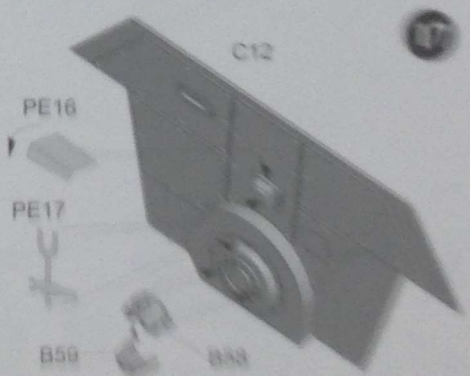
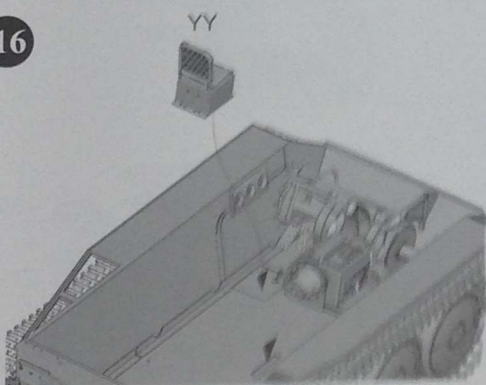
16



15

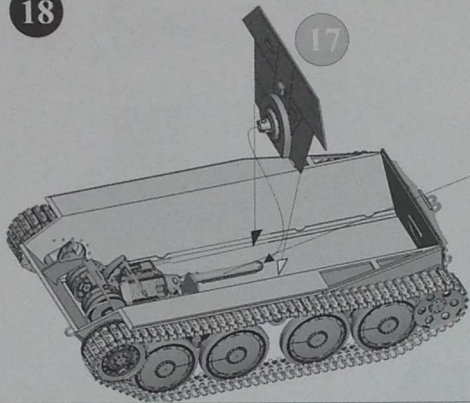


16

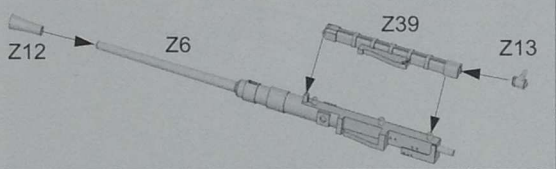
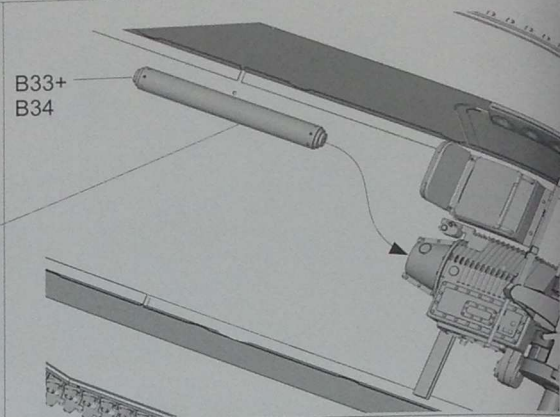


Hobby.dn.ua

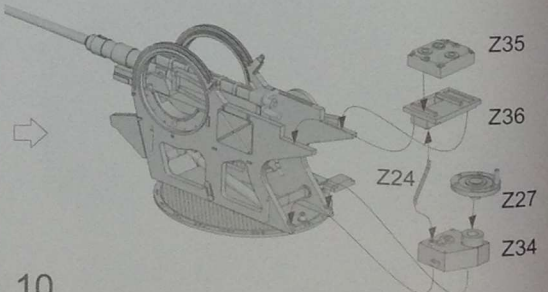
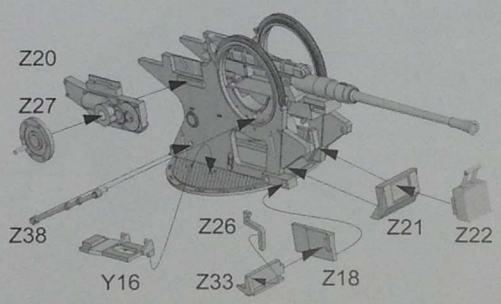
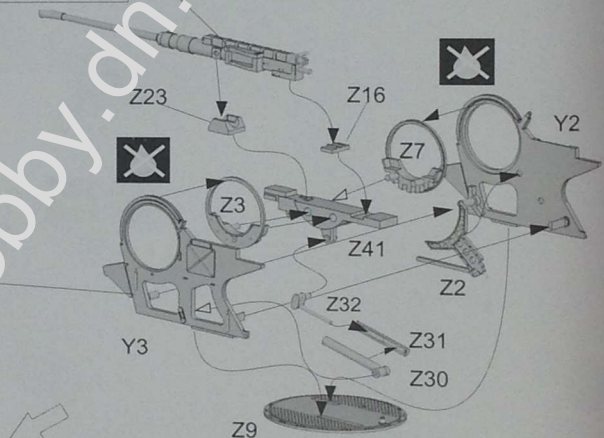
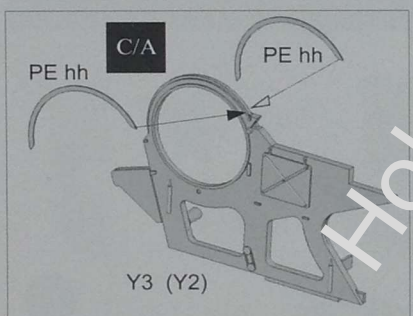
18



B33+
B34



A

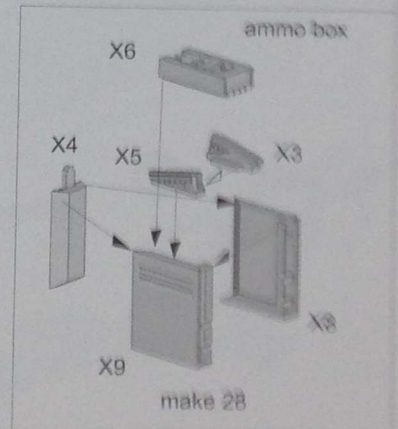
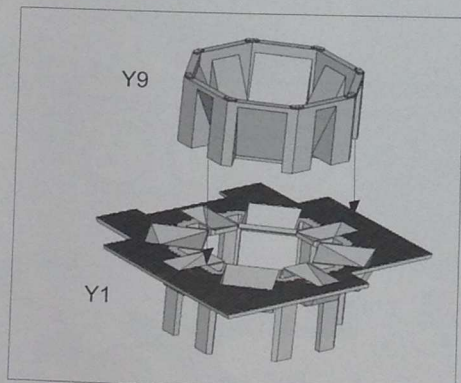
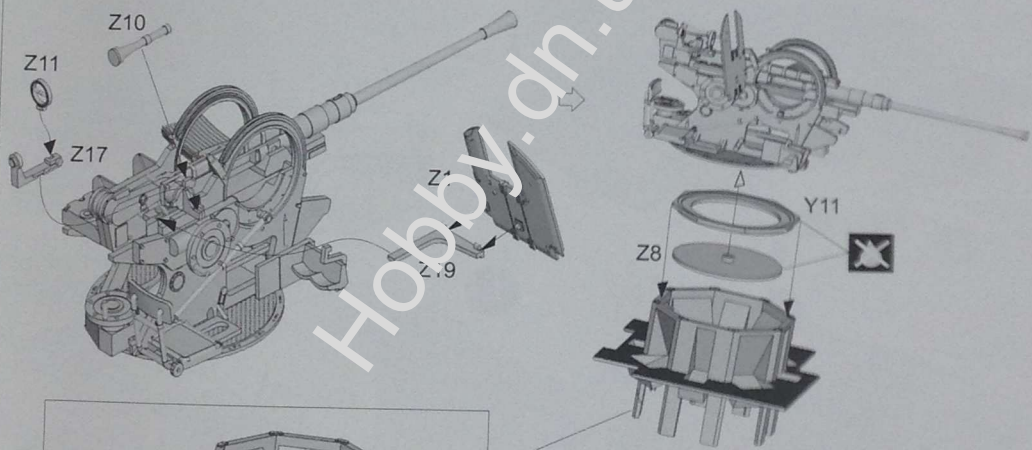
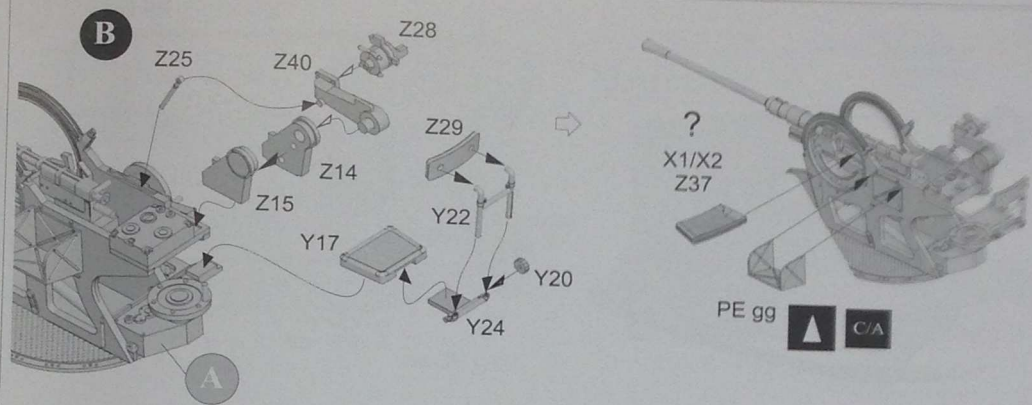
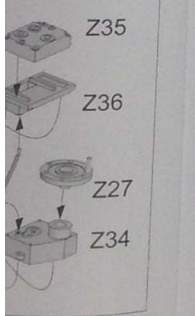
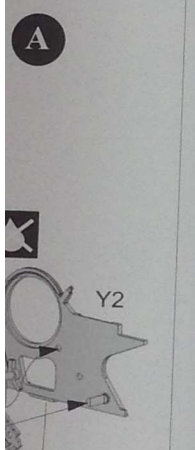
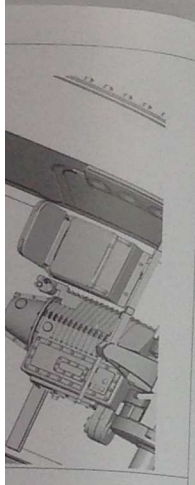


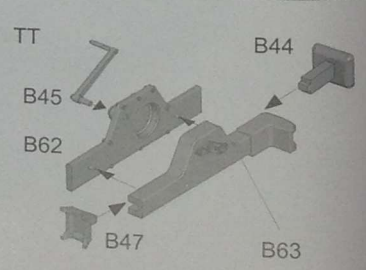
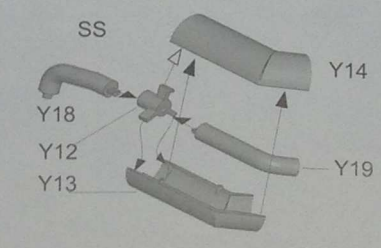
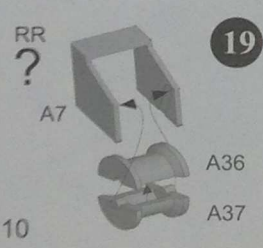
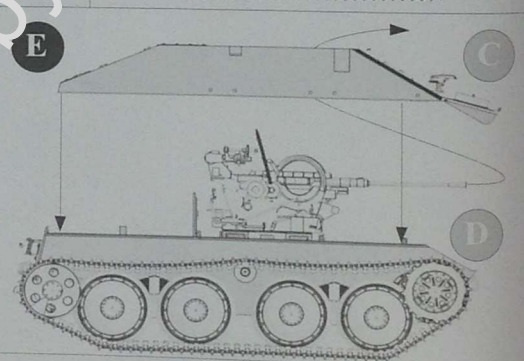
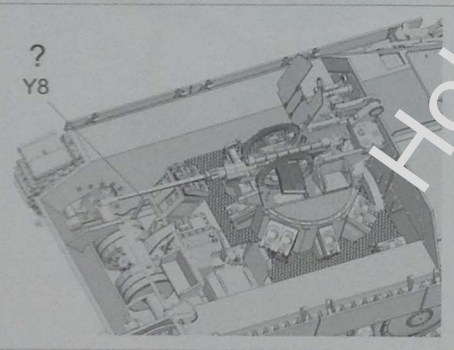
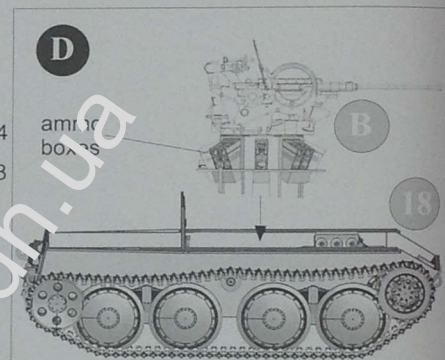
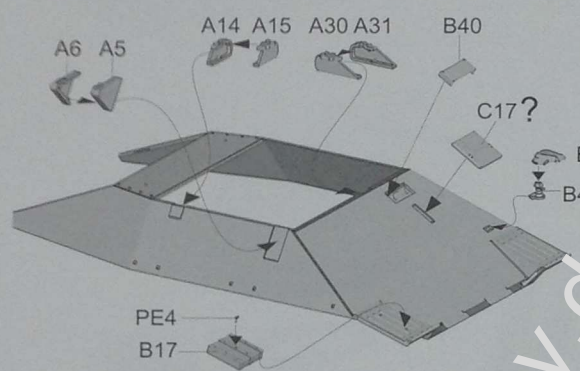
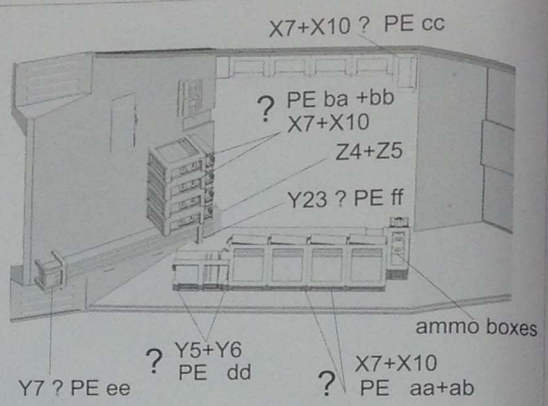
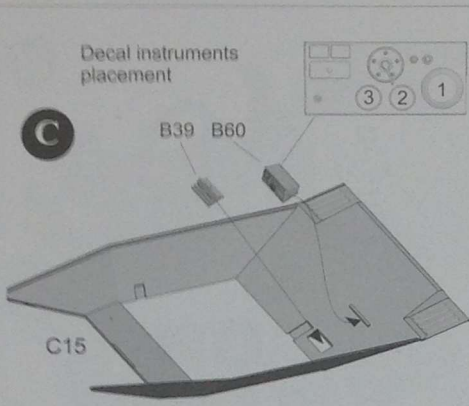
10

B



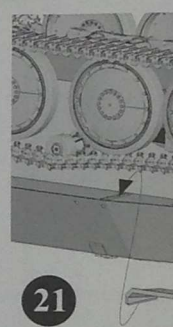
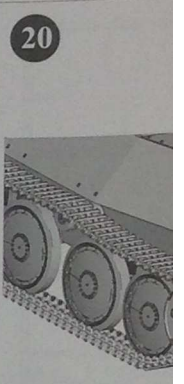
Hobby.dh.ua



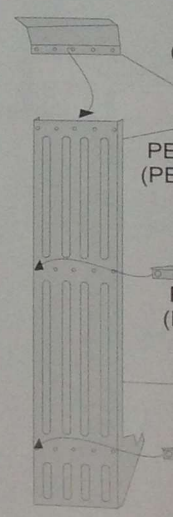


10

12



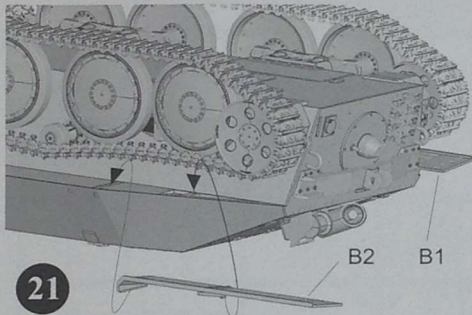
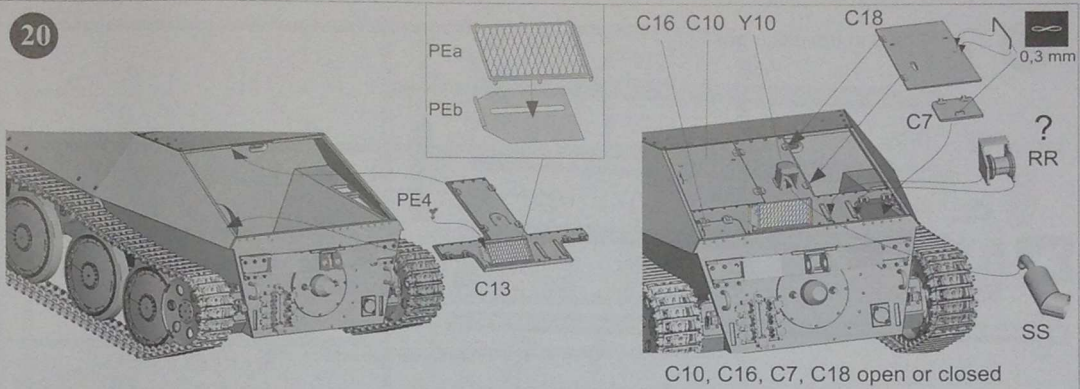
B1, B2 PE opti
Limited Edition o



13

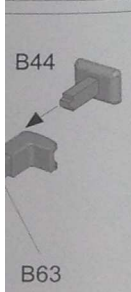
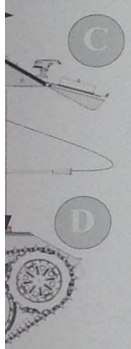
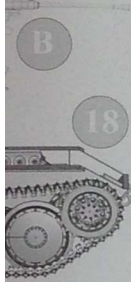
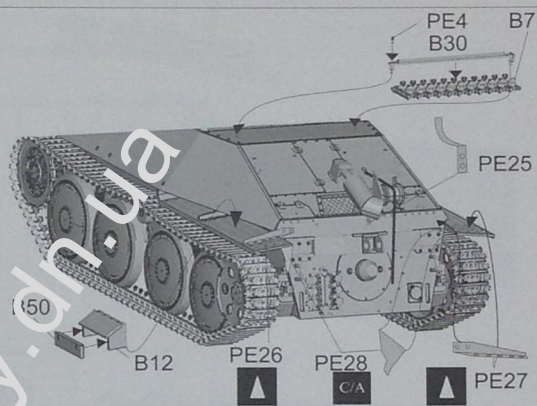
CC
ammo boxes
K10
aa+ab

20



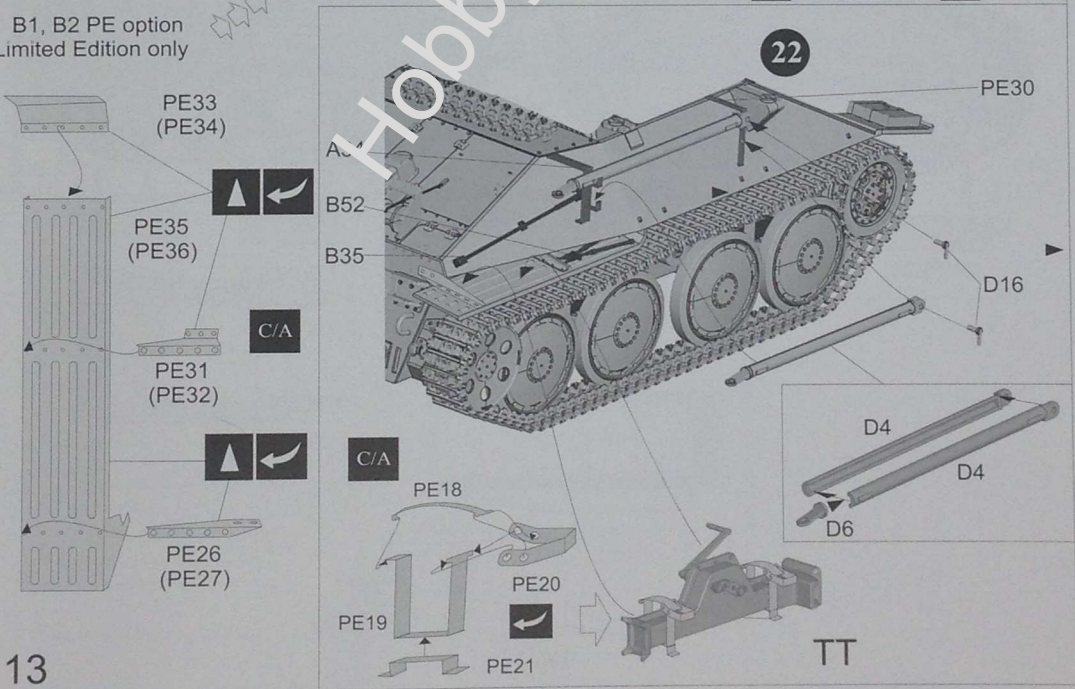
21

B1, B2 PE option
Limited Edition only



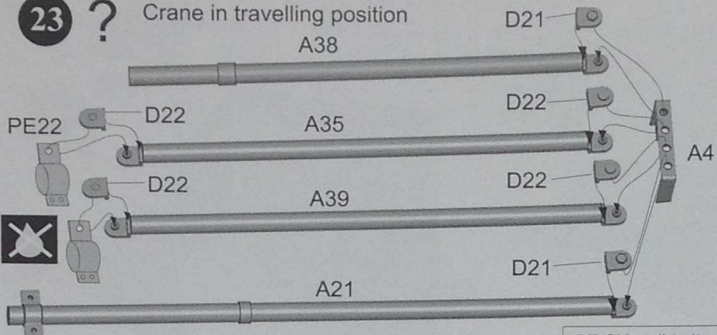
13

22

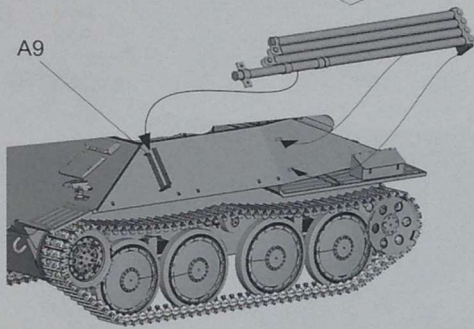


23 ?

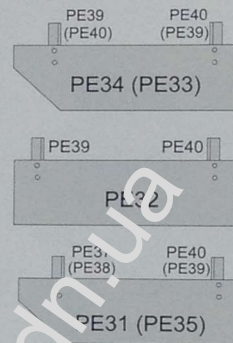
Crane in travelling position
A38



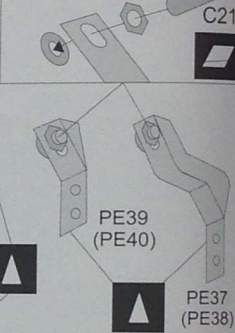
A9



PE Skirts (Limited edition only)



PE42 PE41

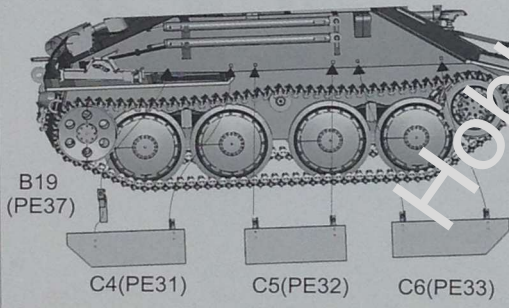


B19 (PE37)

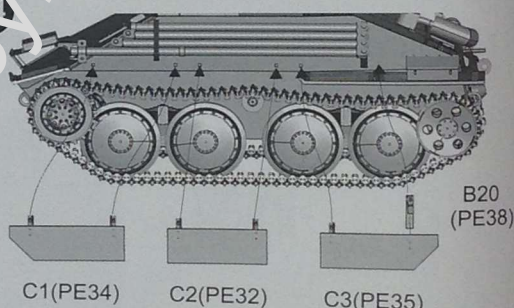
C4(PE31)

C5(PE32)

C6(PE33)



24

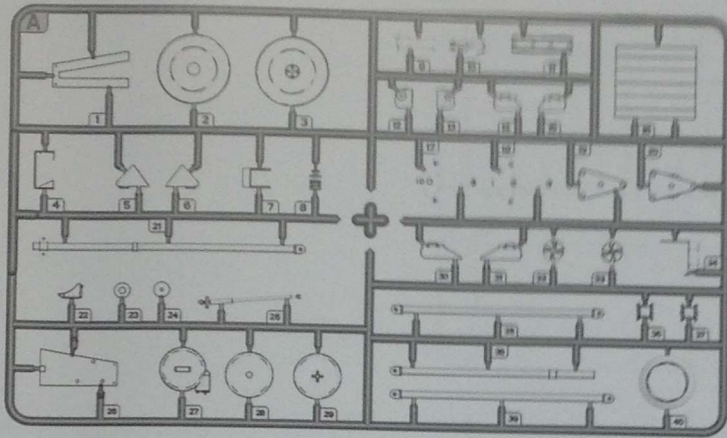
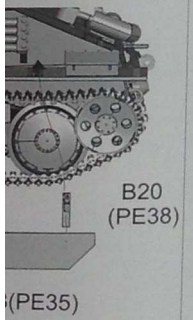
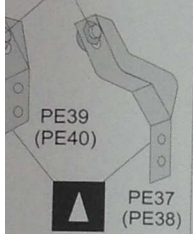
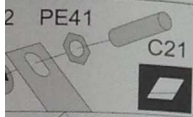


B20 (PE38)

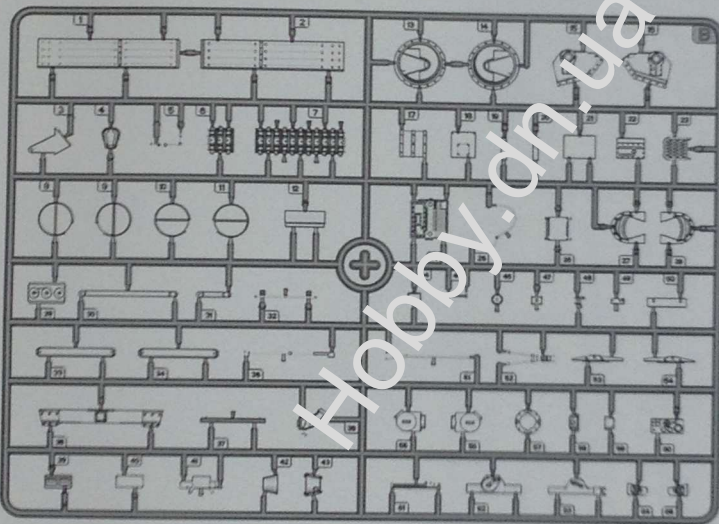
C1(PE34)

C2(PE32)

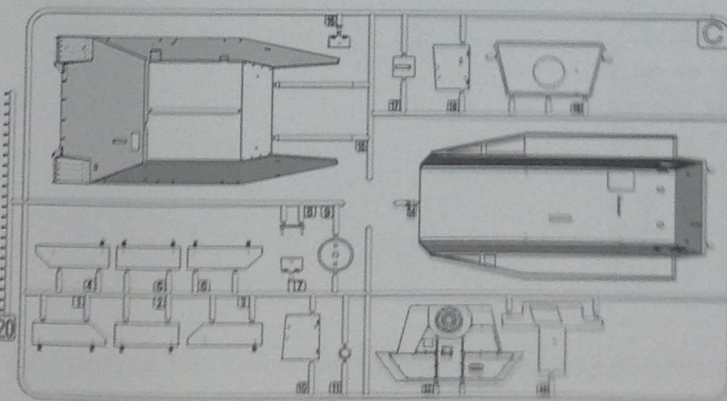
C3(PE35)



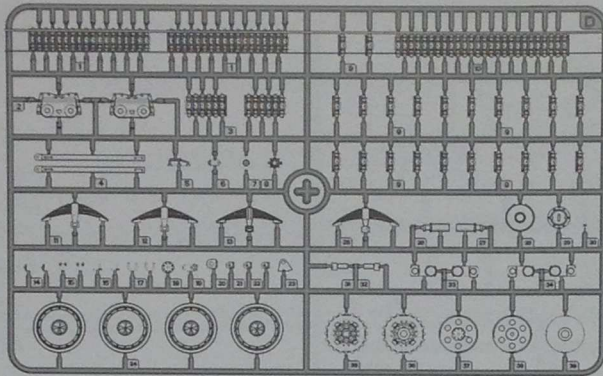
A x1



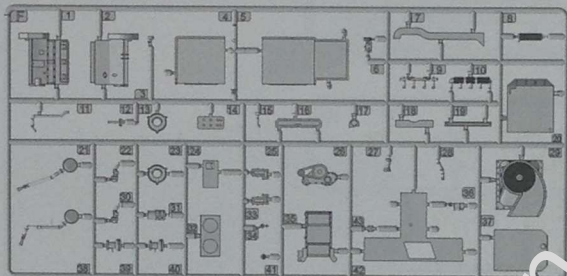
B x1



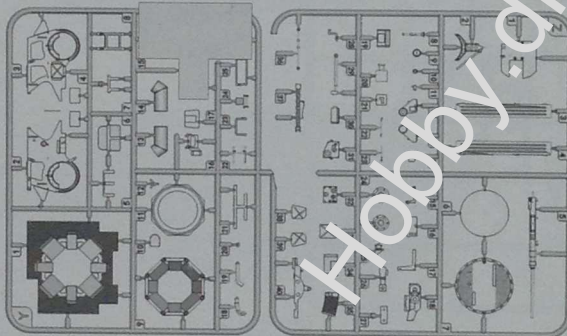
C x1



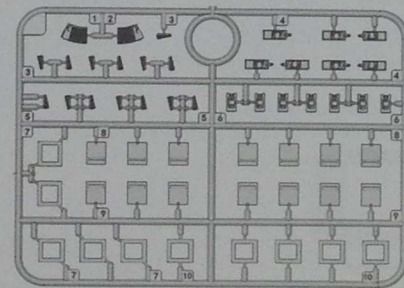
D x2



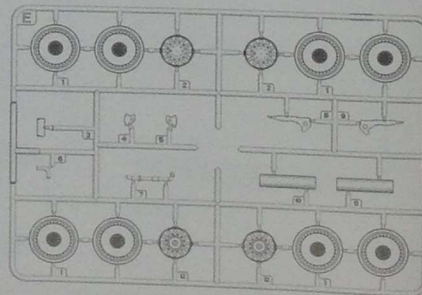
Limited edition only
F x1



Y+Z x1



X x4



E x1

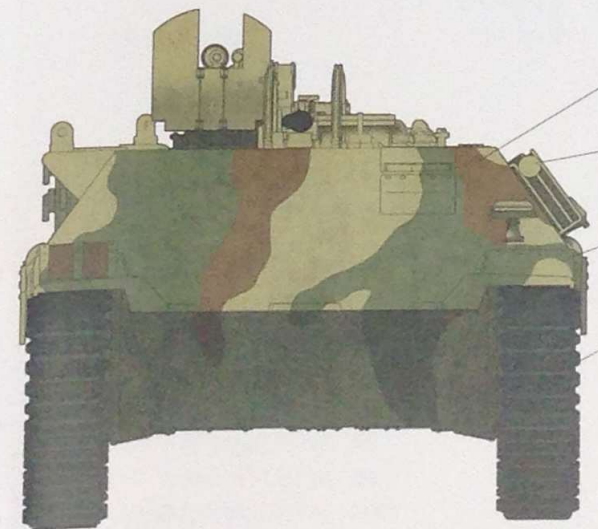
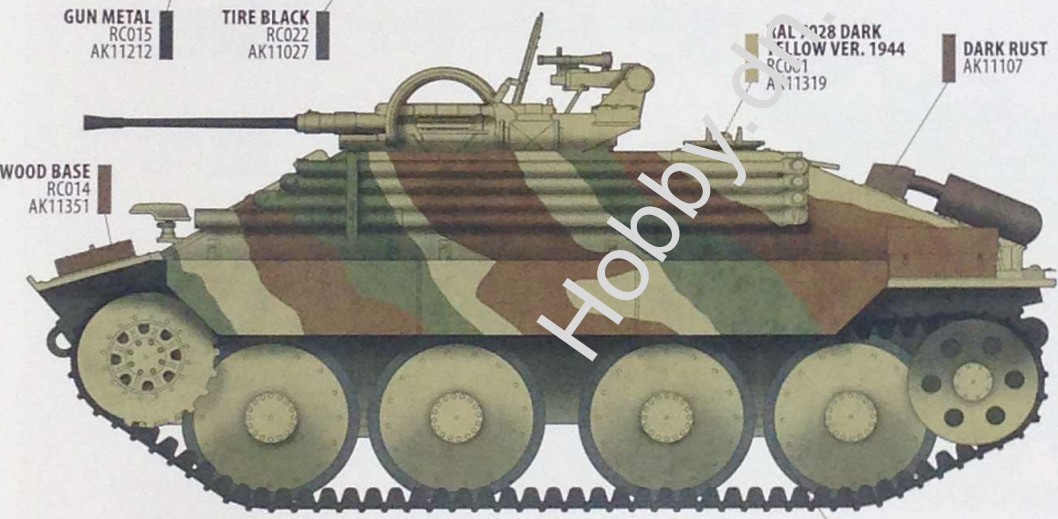
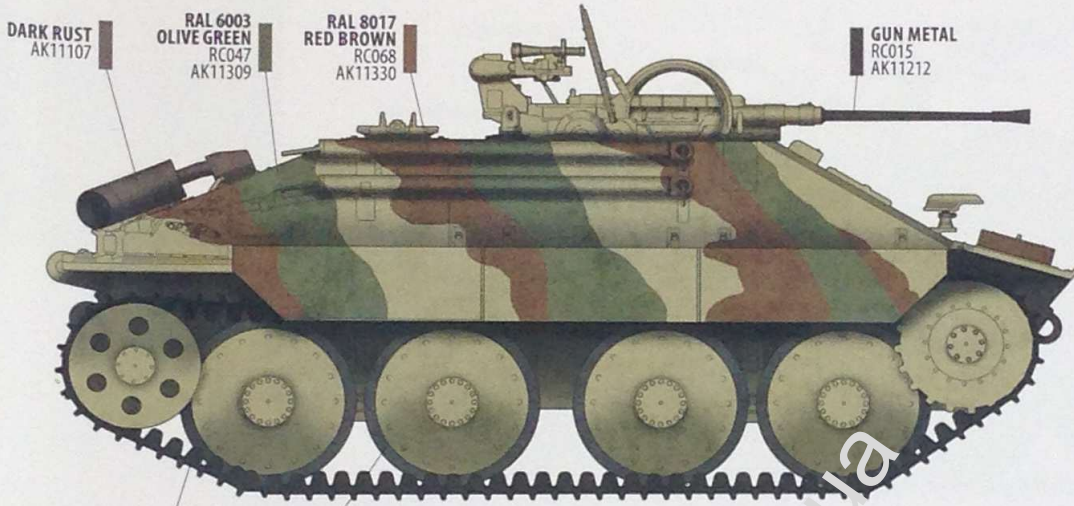
Visit us at www.Thundermodel.com for news, kit reviews links, gallery and assembly tips

2cm Flak Bergehetzer Late



COLOR INFO AND PROFILES BY

AK



-  RAL 7028 DARK YELLOW VER. 1944
RC061
AK11319
-  RAL 6003 OLIVE GREEN
RC047
AK11309
-  RAL 8017 RED BROWN
RC068
AK11330
-  DARK RUST
AK11107
-  GUN METAL
RC015
AK11212
-  WOOD BASE
RC014
AK11351
-  TIRE BLACK
RC022
AK11027

AK Recommended finishing products

- Overall wash** AK300 Wash for German Vehicles
- Dust** AK4062 Light Dust Deposit
- Mud** AK016 Fresh Mud
- Streaking effects** AK012 Streaking Grime
- Oil** AK084 Engine Oil
- Fuel** AK025 Fuel Stains
- Rust** AK046 Light Rust Wash

2cm Flak Bergehetzer Late



COLOR INFO AND PROFILES BY

AK

RAL 8017
RED BROWN
RC068
AK11330

RAL 7028 DARK
YELLOW VER. 1944
RC061
AK11319

RAL 6003
OLIVE GREEN
RC047
AK11309

GUN METAL
RC015
AK11212



GUN METAL
RC015
AK11212

TIRE BLACK
RC022
AK11027

RAL 8017
RED BROWN
RC068
AK11330

RAL 6003
OLIVE GREEN
RC047
AK11309

DARK RUST
AK11107

WOOD BASE
RC014
AK11351



RAL 7028 DARK
YELLOW VER. 1944
RC061
AK11319

RAL 6003 OLIVE GREEN
RC047
AK11309

RAL 8017 RED BROWN
RC068
AK11330

DARK RUST
AK11107

GUN METAL
RC015
AK11212

WOOD BASE
RC014
AK11351

TIRE BLACK
RC022
AK11027



RAL 8017
RED BROWN
RC068
AK11330

RAL 7028 DARK
YELLOW VER. 1944
RC061
AK11319

RAL 6003
OLIVE GREEN
RC047
AK11309

GUN METAL
RC015
AK11212

TIRE BLACK
RC022
AK11027

AK Recommended finishing products

- Overall wash AK300 Wash for German Vehicles
- Dust AK4062 Light Dust Deposit
- Mud AK016 Fresh Mud
- Streaking effects AK012 Streaking Grime
- Oil AK084 Engine Oil
- Fuel AK025 Fuel Stains
- Rust AK046 Light Rust Wash