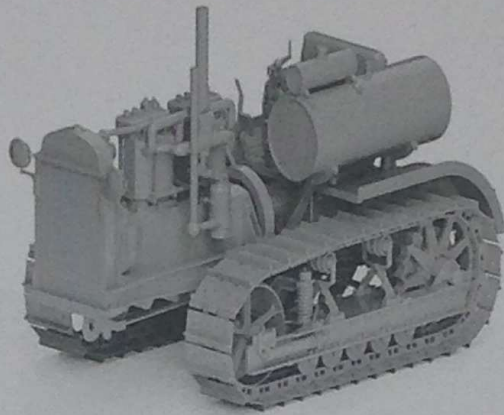


35400

產品編號: 35400

scale 1/35

1:35 比例



### 1/35 Russian ChTZ S60 Сталинец

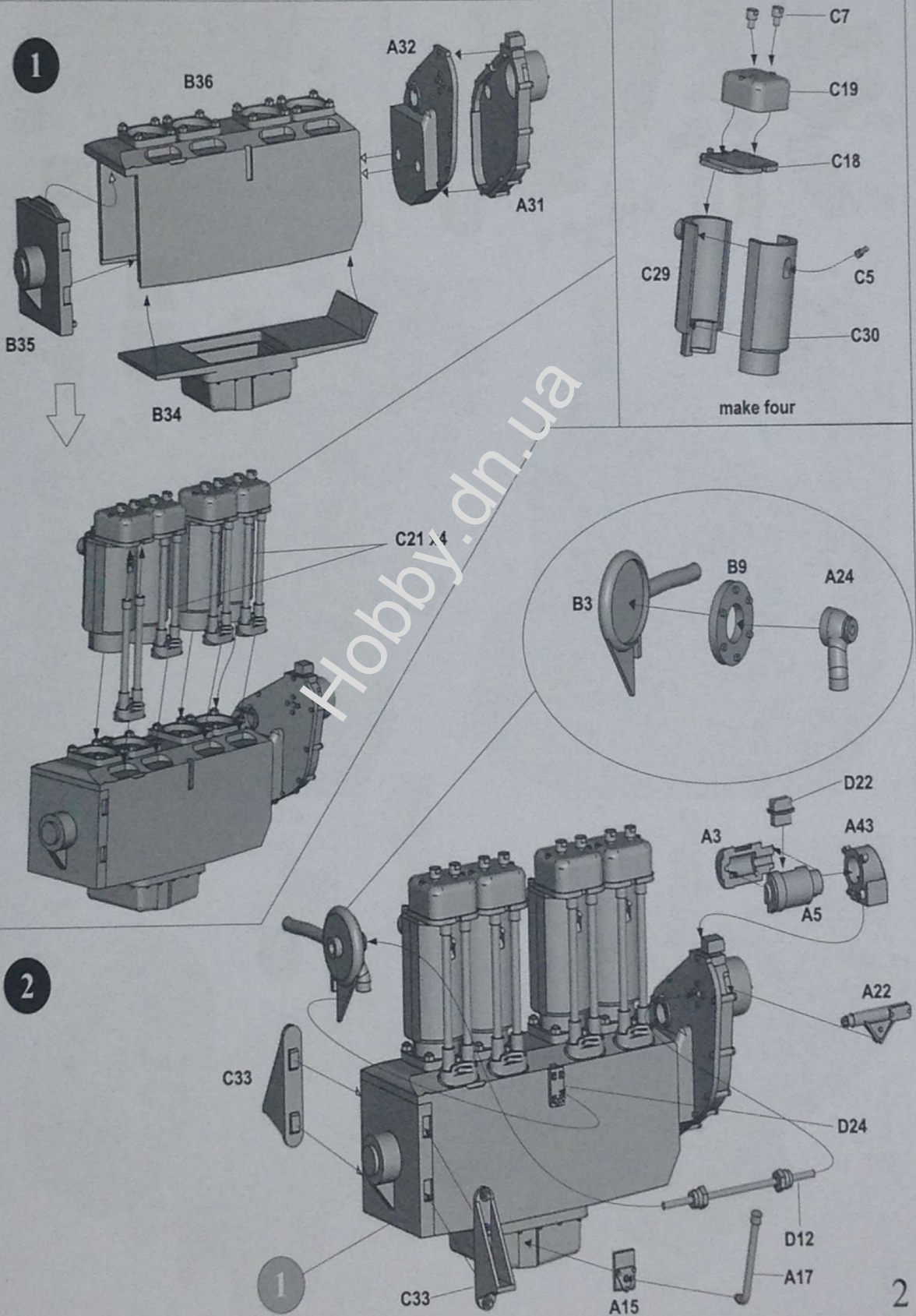
Go through this assembly guide and understand it before you start kit assembly  
 Use usual plastic kit's cements and tools (not included in the kit)  
 Follow painting guide supplied, use only hobby paints  
 Work carefully with photo etched parts if included, use C/A glues to assemble them

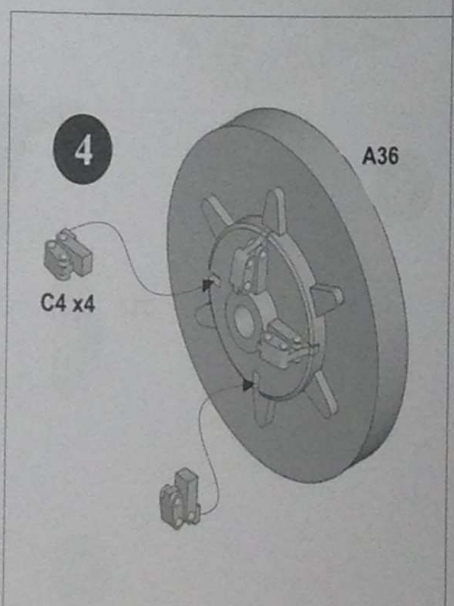
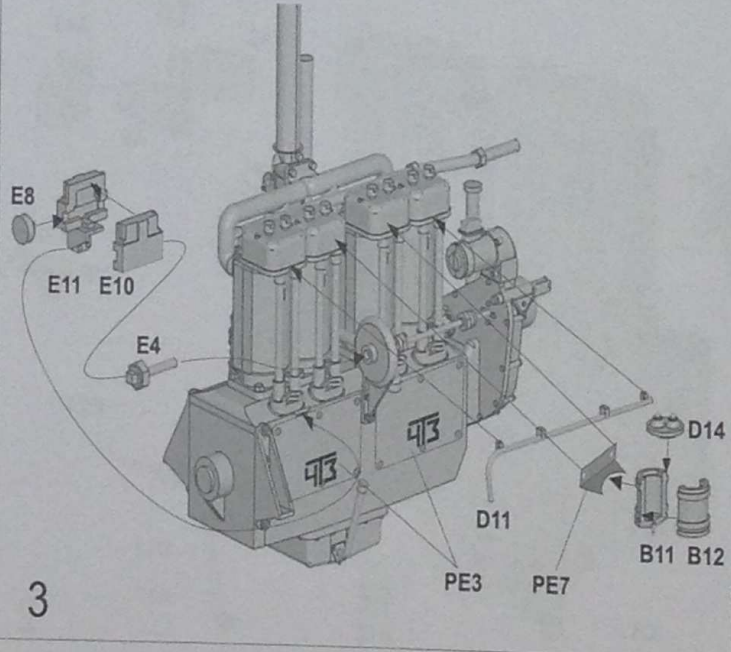
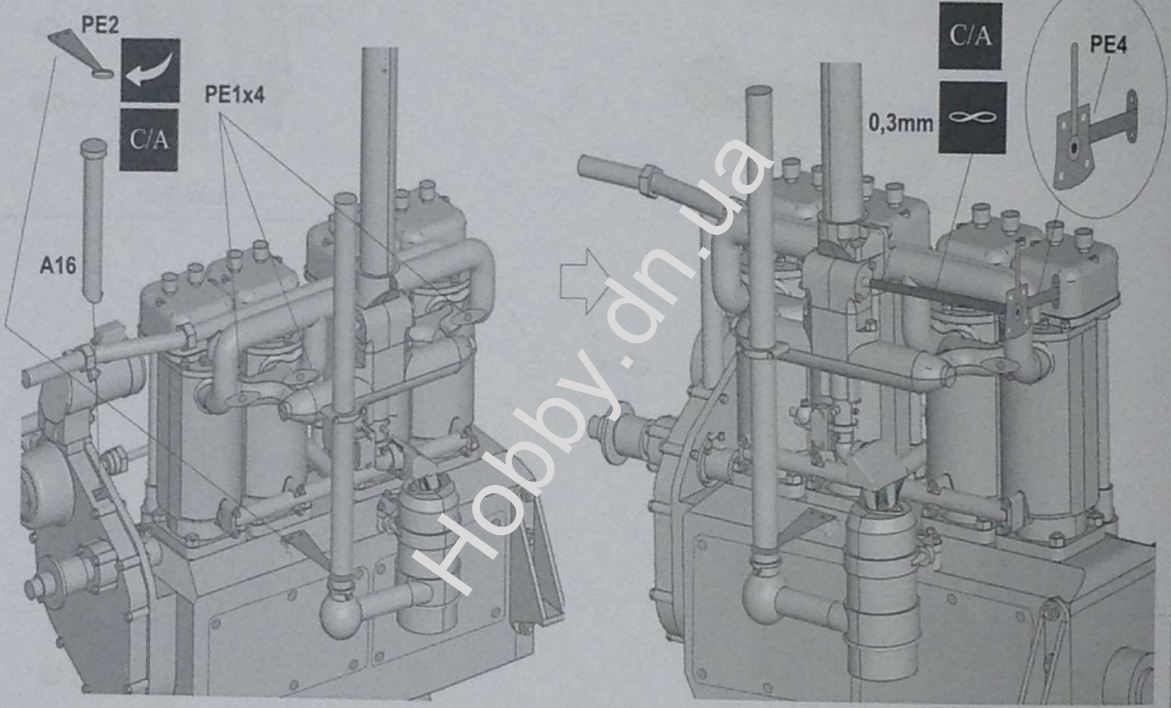
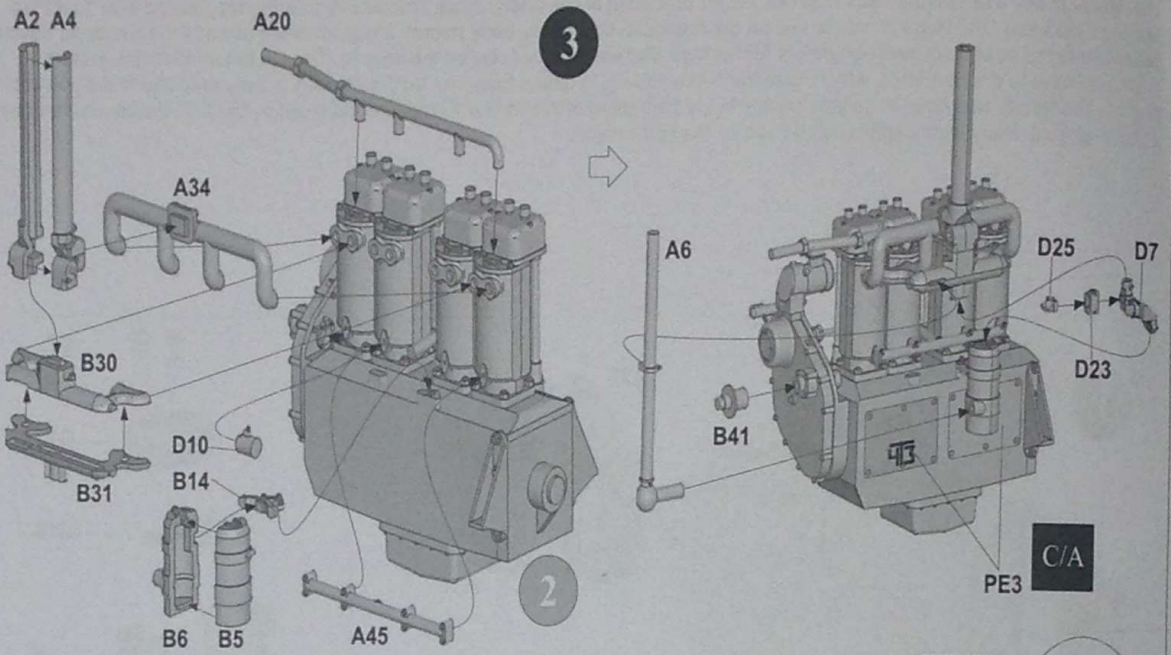
請您在組裝此產品前仔細閱讀組裝指南;  
 請使用通用塑膠模型黏合劑和工具(本產品不附帶);  
 本產品所以提供的噴塗指南只適用本於模型;  
 如果本產品含有蝕刻套件,請小心仔細處理,請使用C/A膠水組裝;

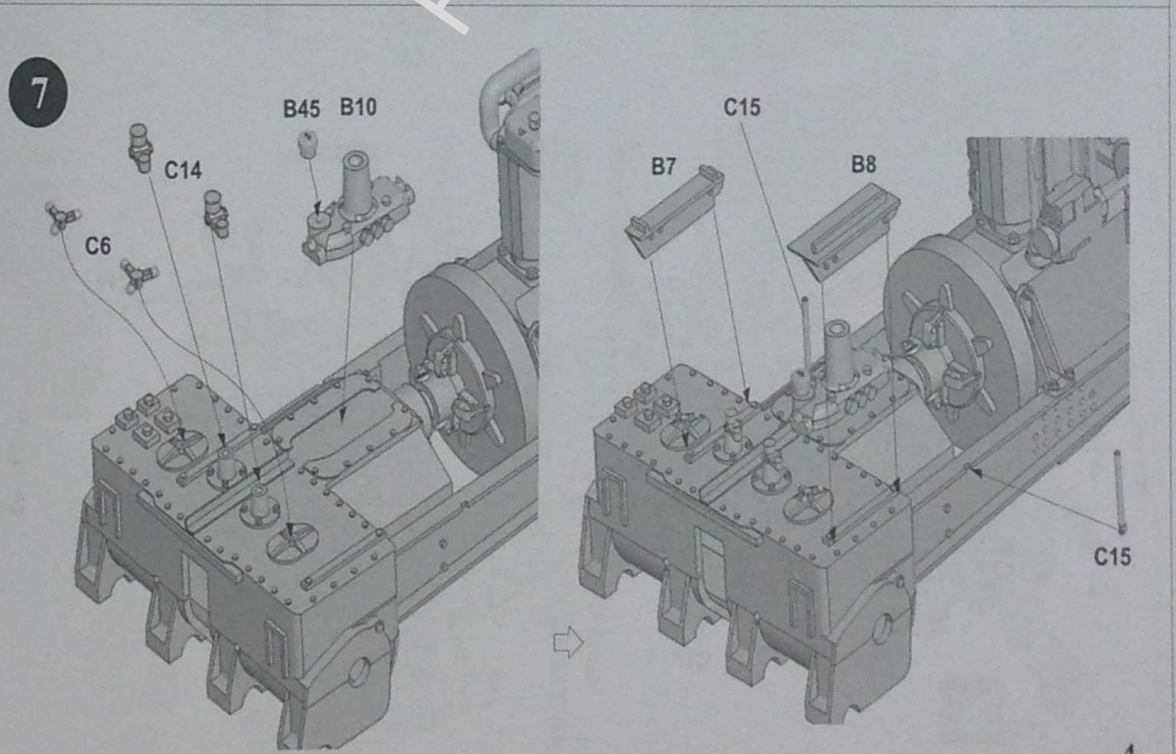
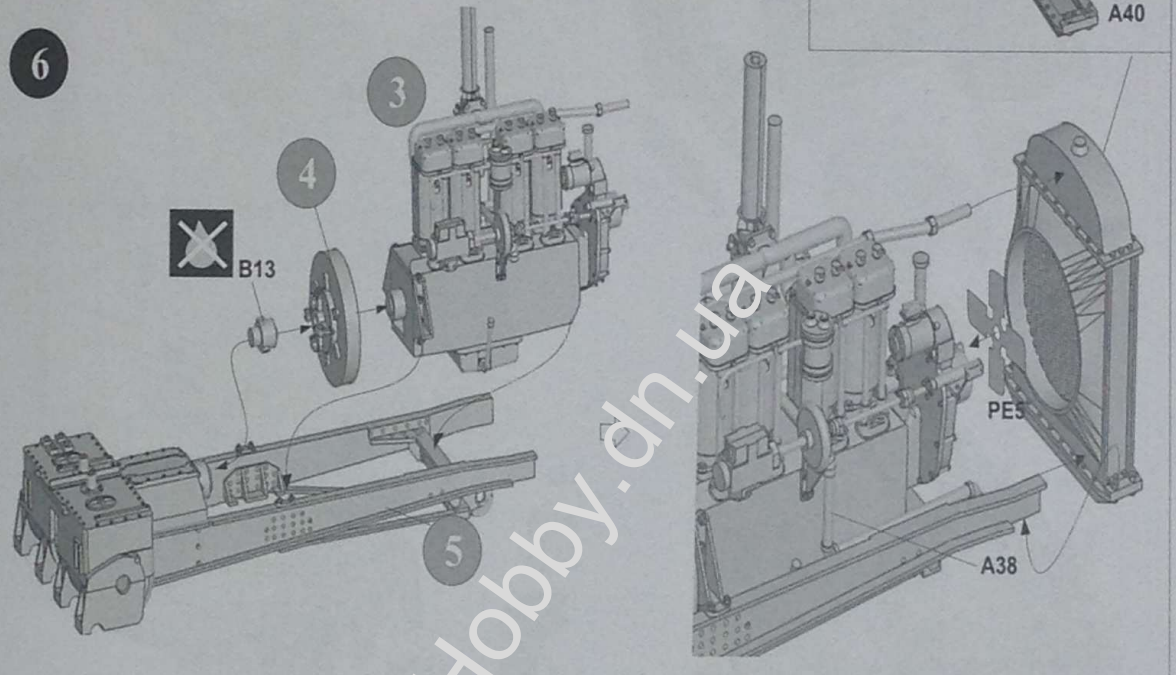
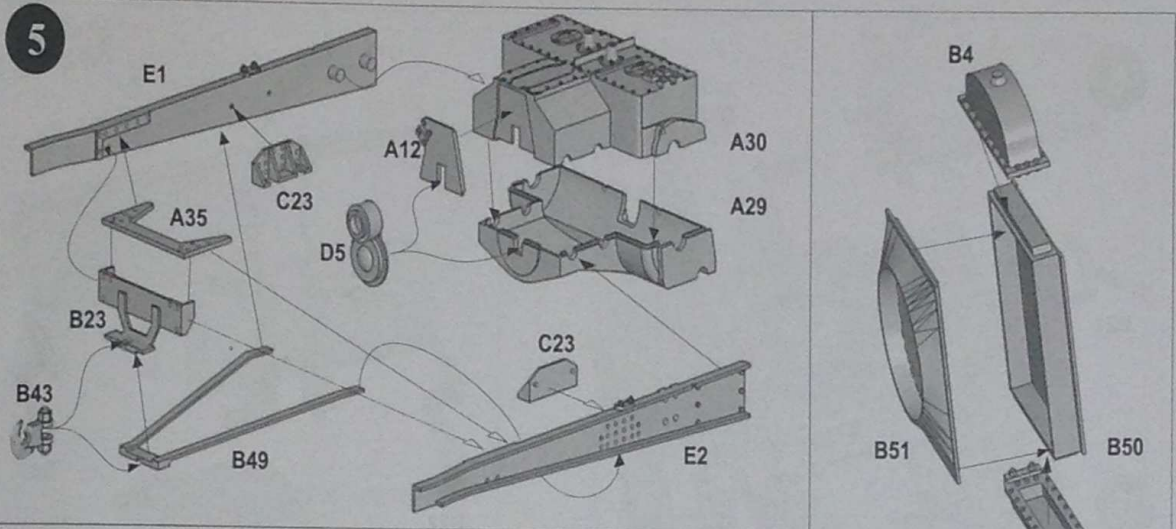
組み立て前にこの組み立てガイドをご覧ください。  
 プラスチックキット専用接着剤と専用工具をご使用ください。(ともにキットには含まれていません)  
 塗装ガイドに従ってください。専用塗料をご使用ください。  
 エッチングパーツの組み立ては細かいパーツの取り扱いが必要です。また接着には瞬間接着剤を使用ください。

	cut/remove	切下/ 移除	切断/切り離し
	drill hole	鑽孔	ドリル穴
	no glue	不適用膠水	接着しない
	bend	折彎	折り曲げ
	cyanoacrylate glue	氰基丙烯酸酯膠水	瞬間接着剤
	string or wire	細繩或者金屬絲線	糸または金属線
	rope	繩	ひも
	paint area during assembly (ref. to AMMO colors)	裝配過程中的噴漆區域推薦 (請參考AMMO顏色)	組み立て時の塗装部分 (コード例: AMMOカラー)
	PE - press rivets (lines) from the etched off side	蝕刻片 - 請从蝕刻掉的一側壓铆釘 (線)	ラインやリベット部分を未エッチング面から圧を与える

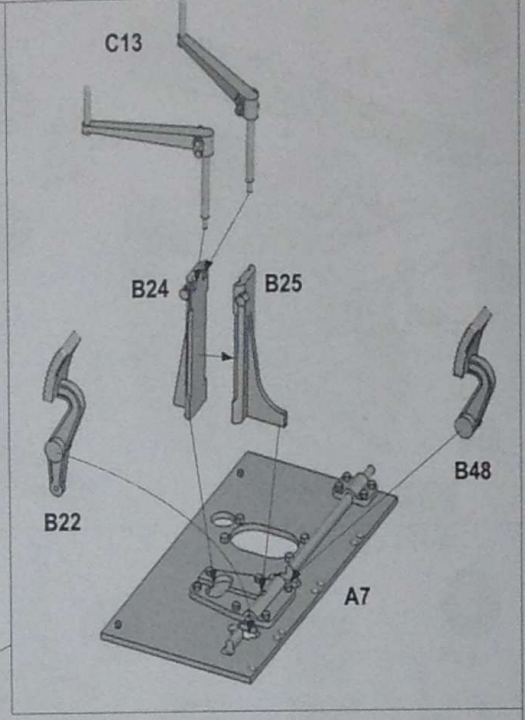
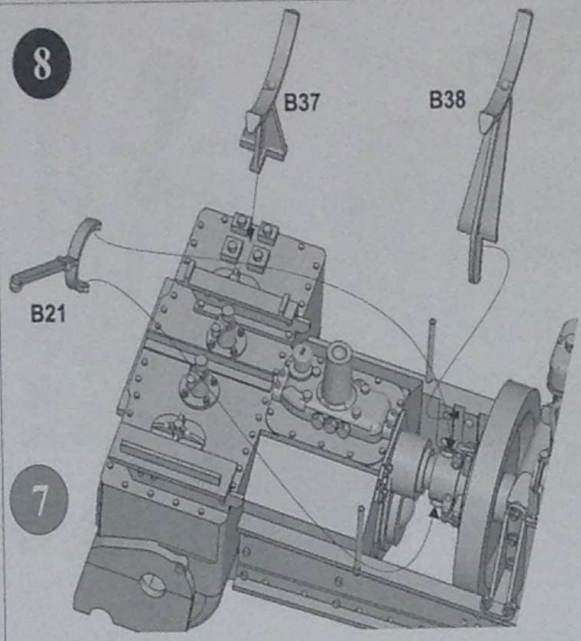
The Stalinetz S60 Сталинец 60 was a Soviet tractor produced at the Chelyabinsk Tractor Plant during the Second Five Year Plan between 1933 and 1937 years .It was based on the American Caterpillar Sixty tractor. It was intended to serve in kolkhozes, Soviet collective farms as state owned equipment for farmers who would otherwise be too poor to afford it, but most of the tractors produced went to the Red Army, which used them extensively to haul artillery, as the tractor was heavily built and had a powerful engine. The tractor was used in service mainly in the beginning of World War II, and later replaced by the S-65 tractor powered by a diesel engine. Many were captured and used by the Wehrmacht.



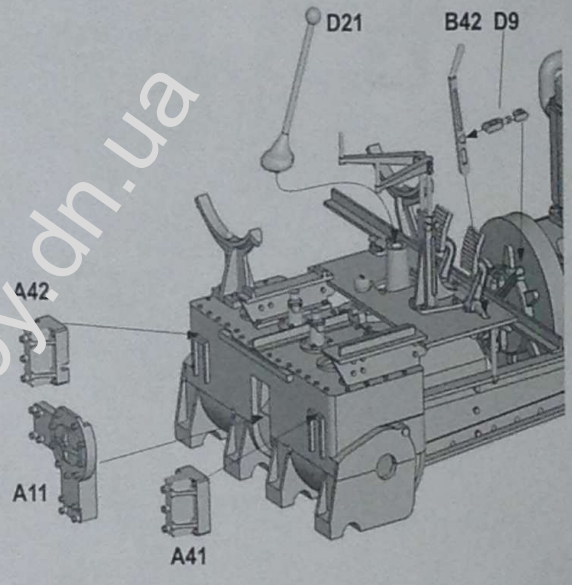
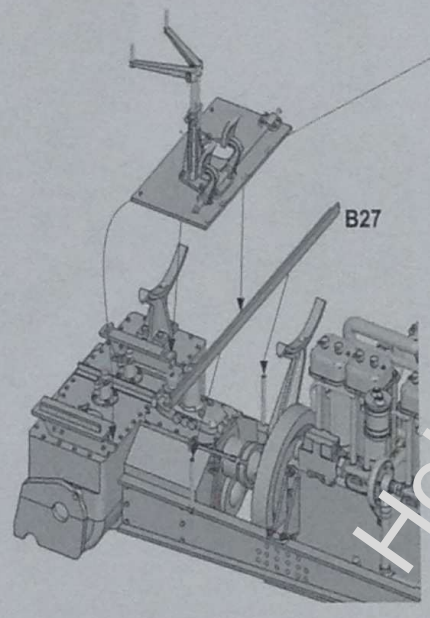




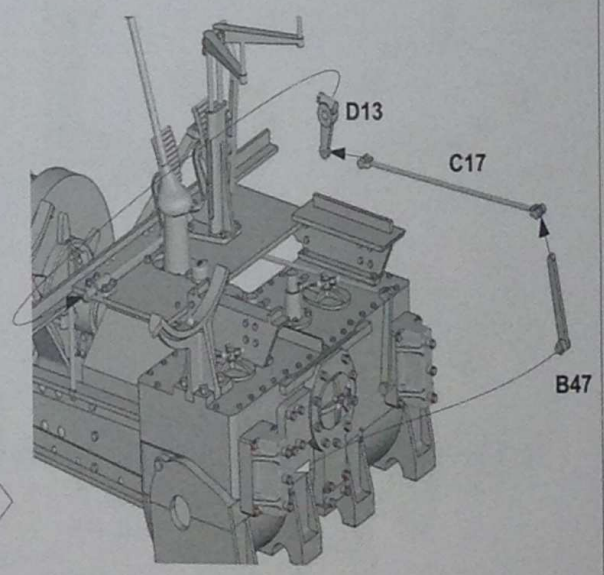
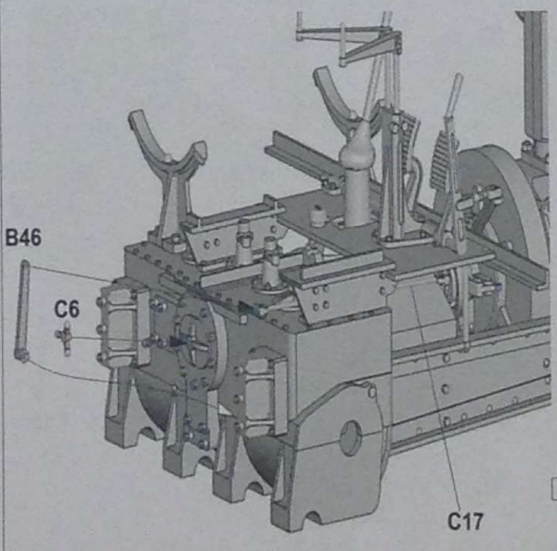
8



7

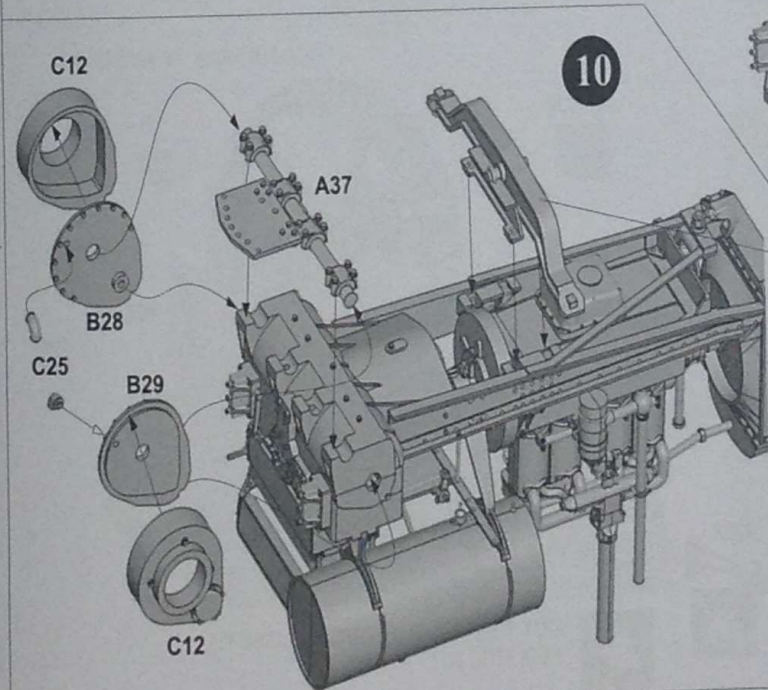
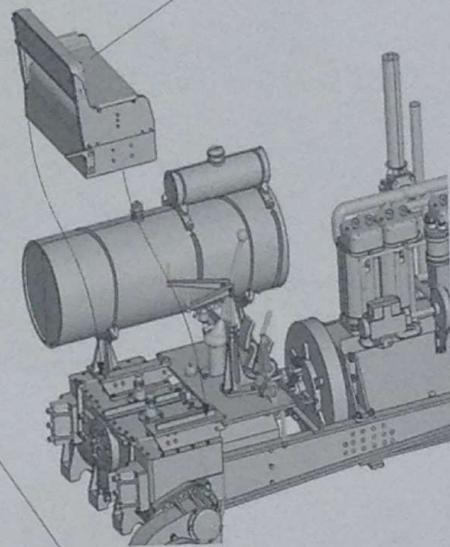
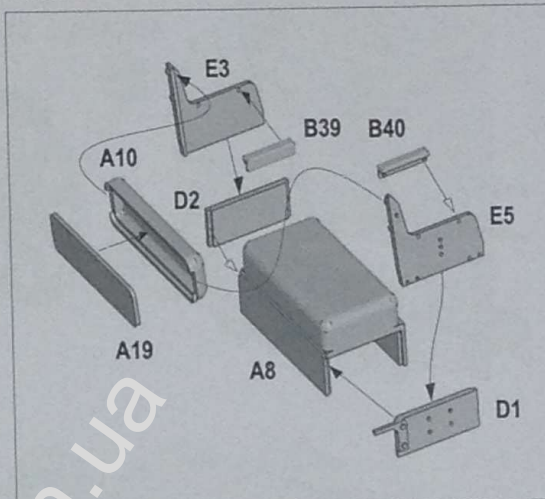
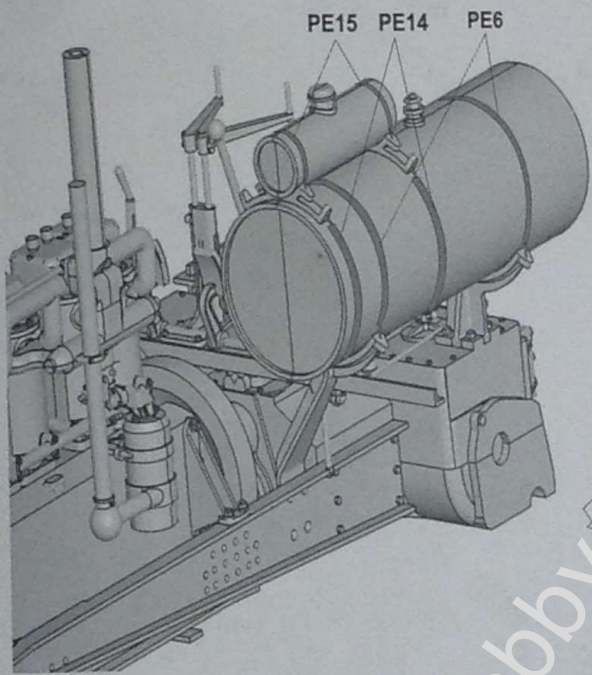
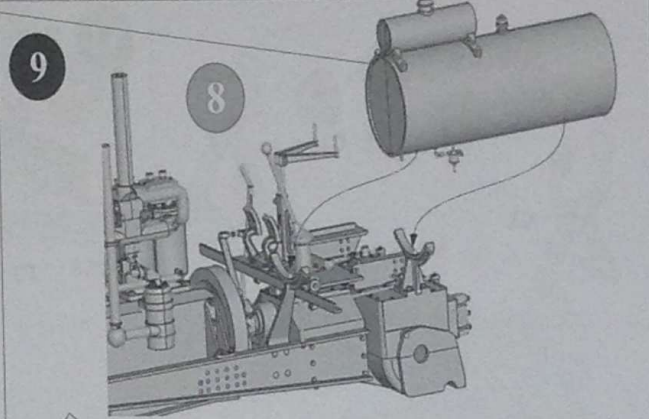
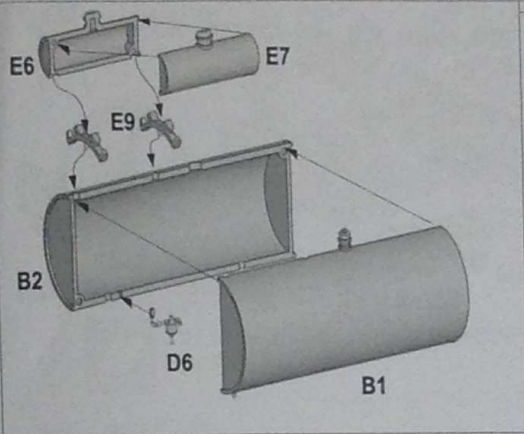


B46

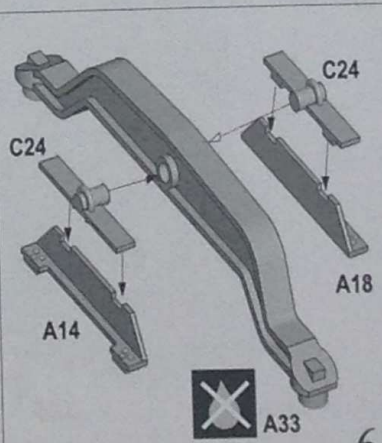


5

Hobby-dn.ua

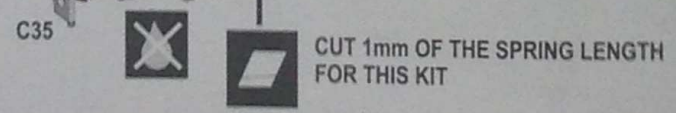
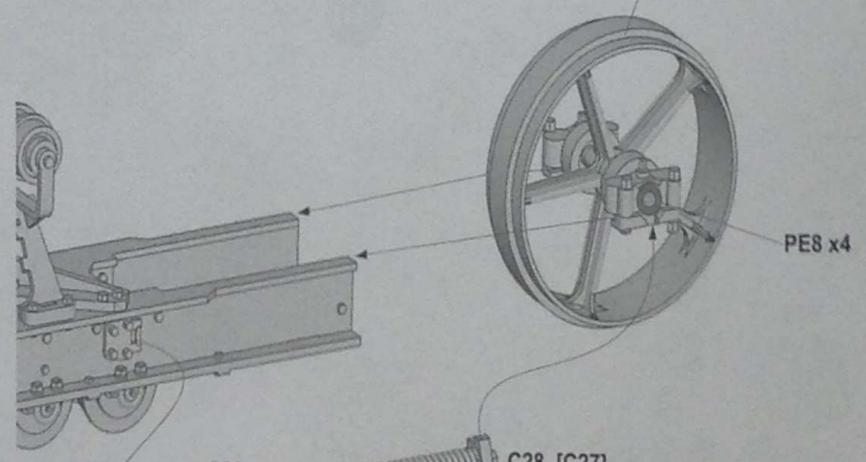
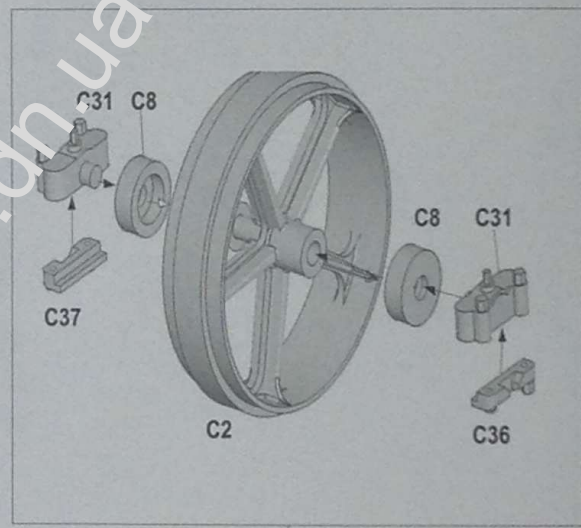
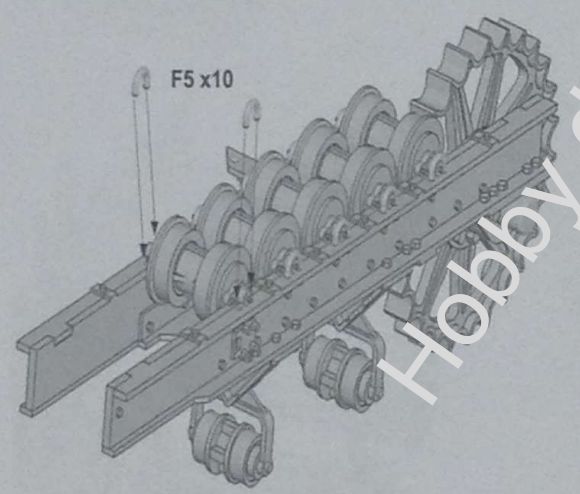
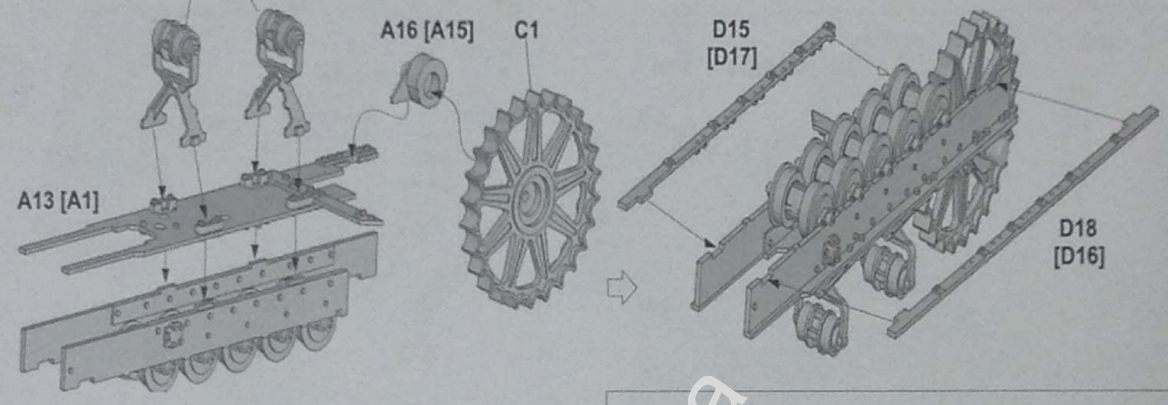
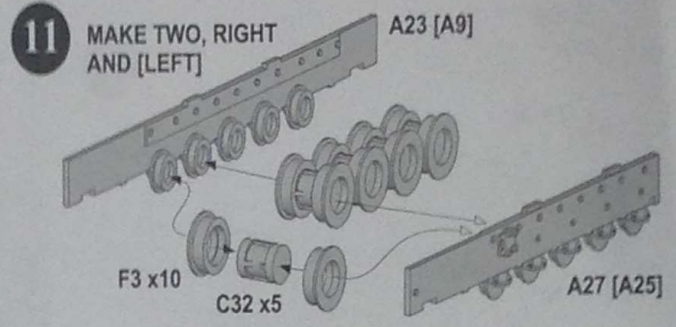
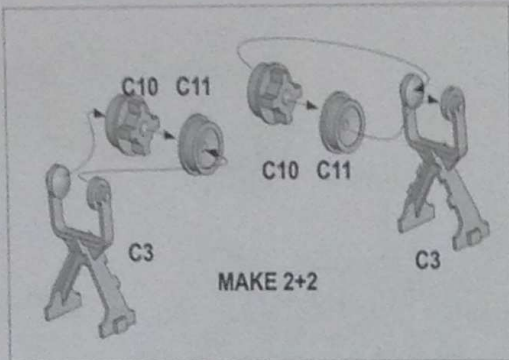


10

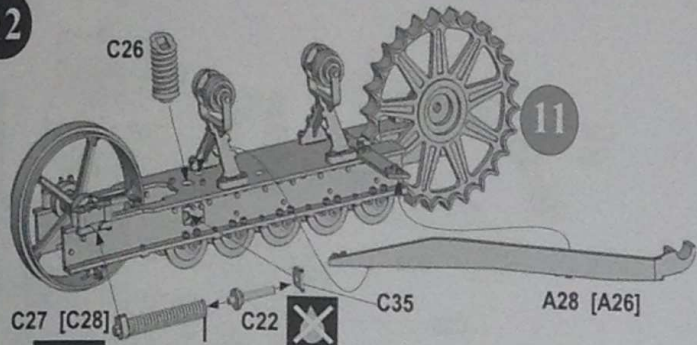


6

Hobby.dh.ua

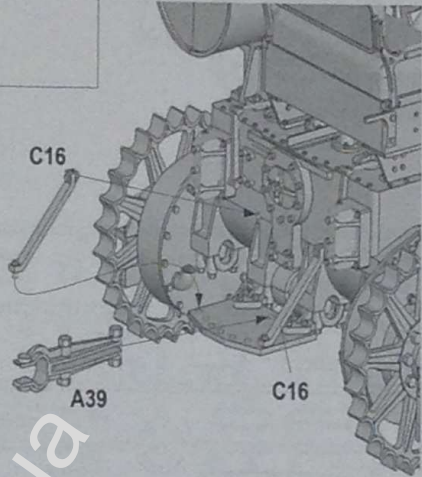
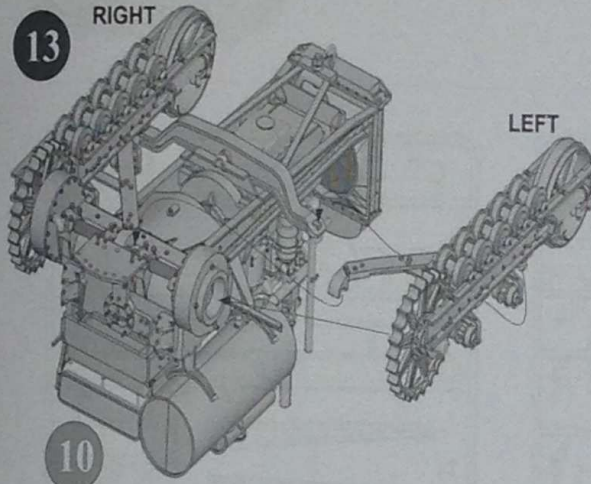


12

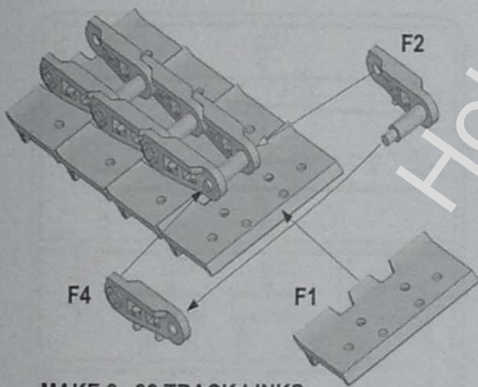


CUT 1mm OF THE SPRING LENGTH FOR THIS KIT

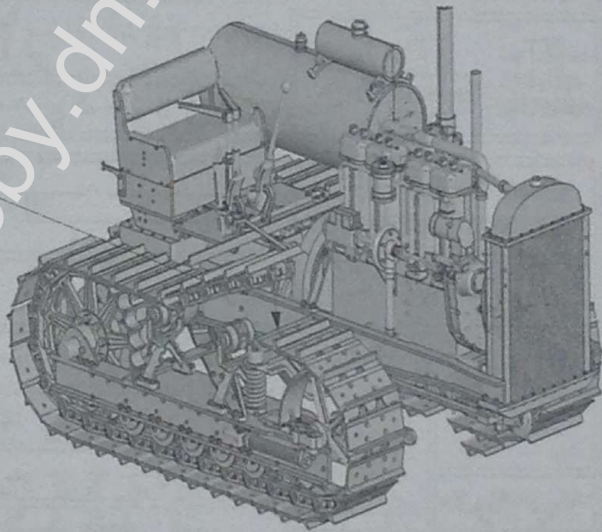
13



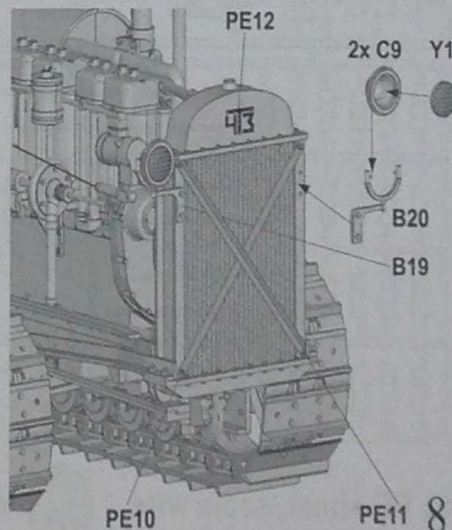
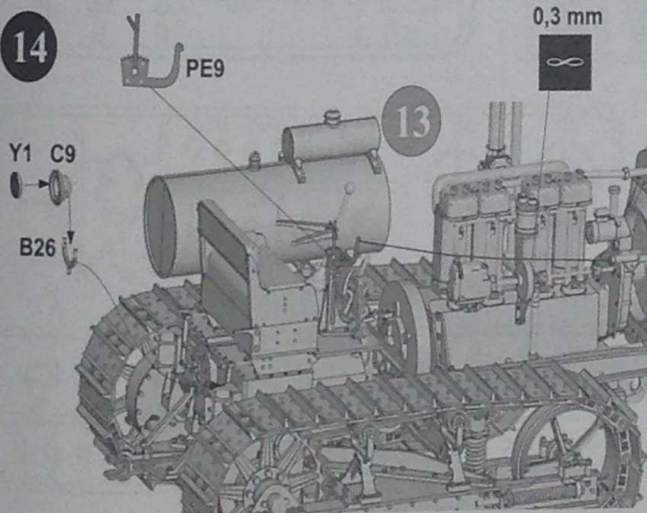
10



MAKE 2x 32 TRACK LINKS

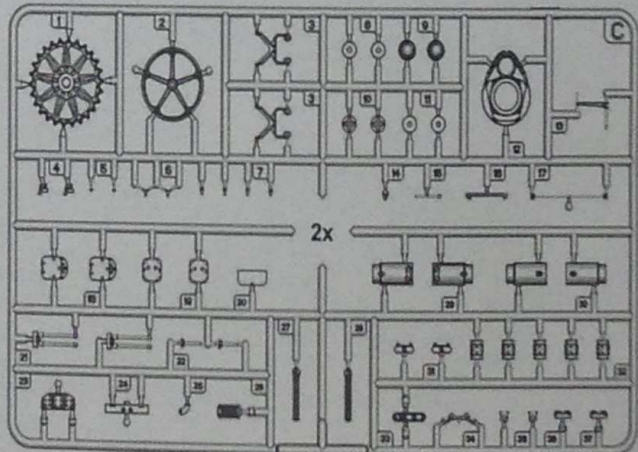
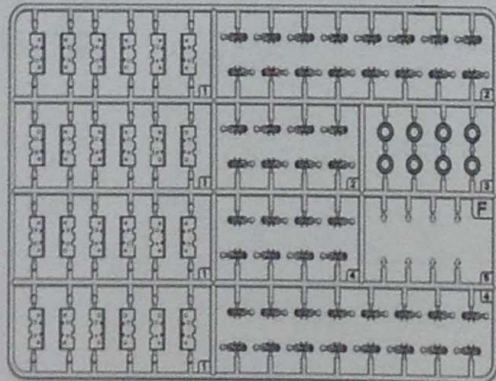
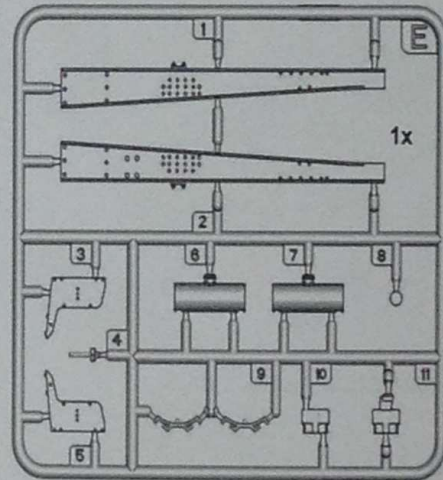
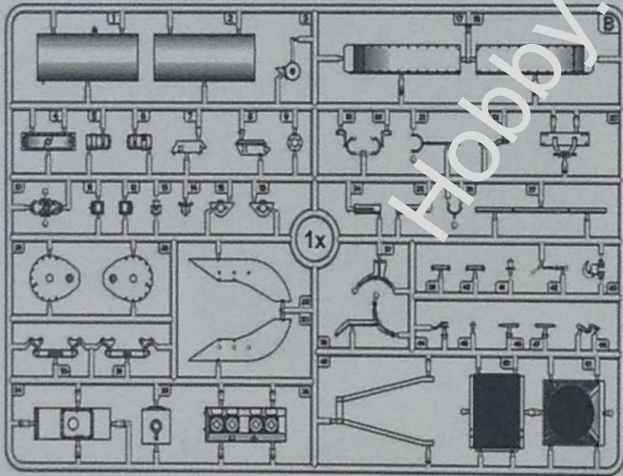
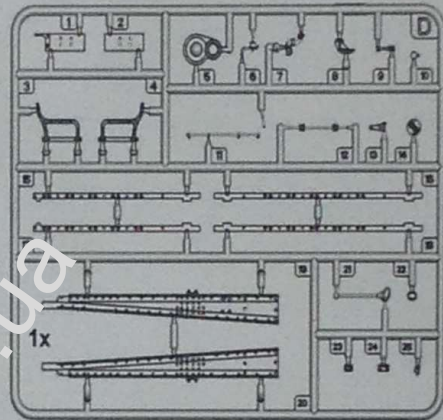
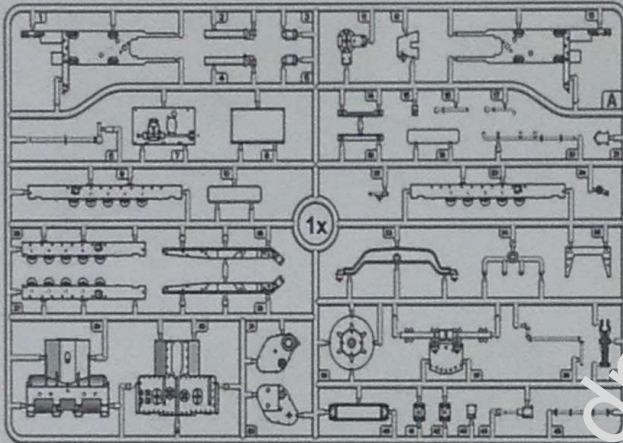
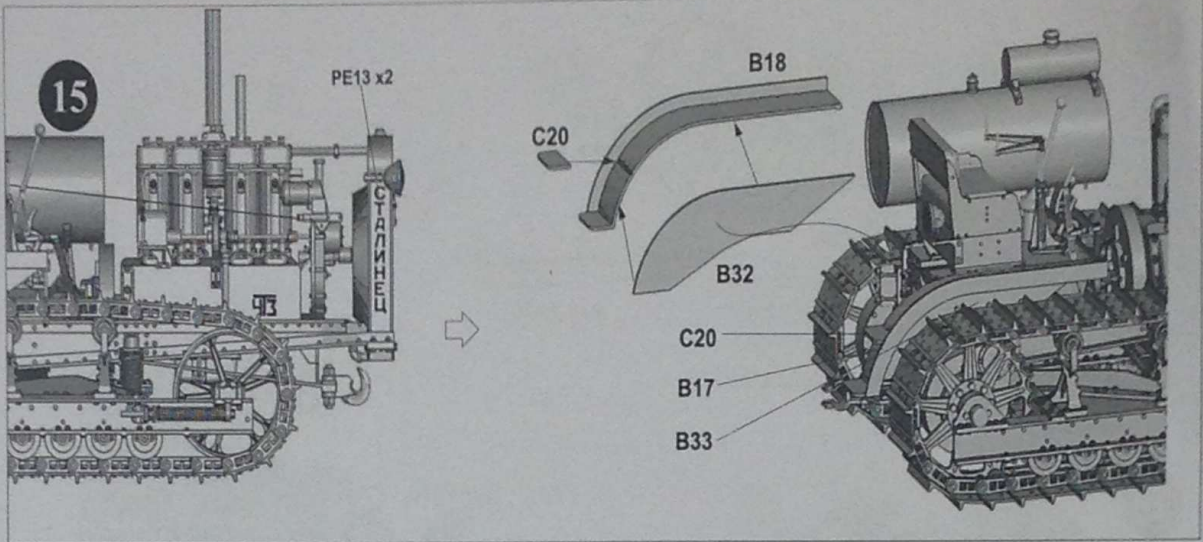


14



Hobby-dn.ua





1x PE sheet, scale wire

Y x3



www.migjimenez.com



# Russian ChTZ S60 Stalinetz

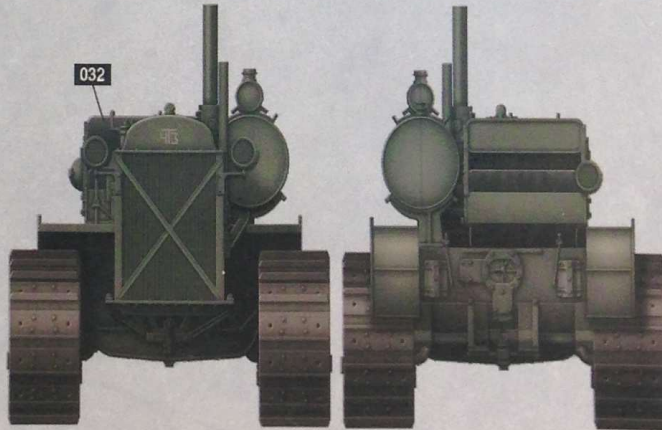
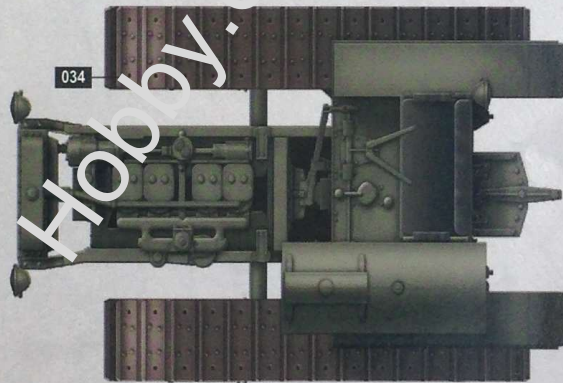
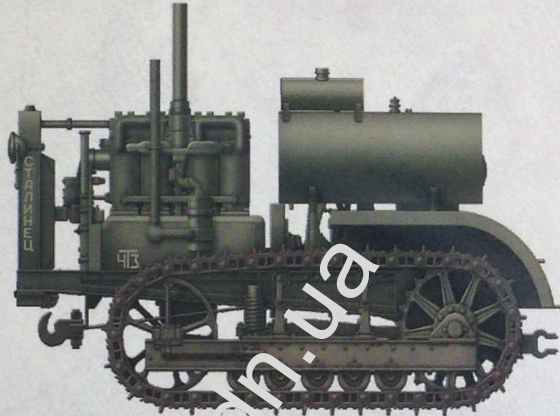
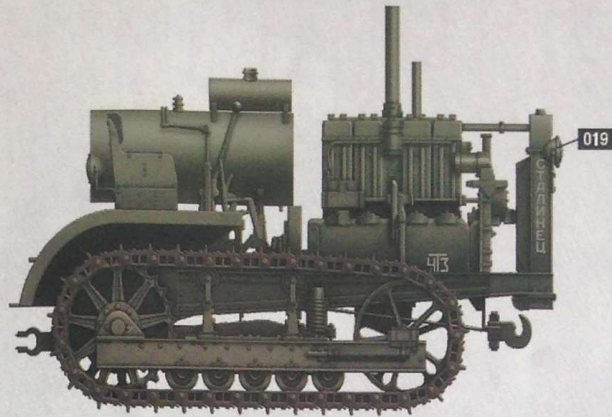
Ref: TM-35400

## Painting and Marking Guide

A.MIG 019 4BO Russian Green

A.MIG 032 Satin Black

A.MIG 034 Rust Tracks



### WEATHERING STEPS WITH AMMO PRODUCTS

**1 GENERAL WASH**

A.MIG-1005 Dark Brown for Green

**2 FILTER**

A.MIG-1507 TAN for Yellow Green

**3 GREASE**

A.MIG-1408 Fresh Engine Grime

**4 DUST**

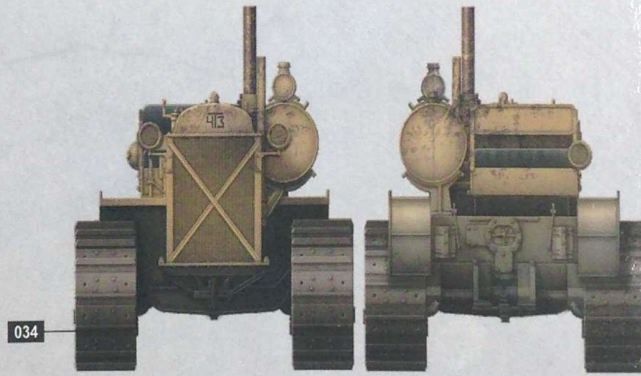
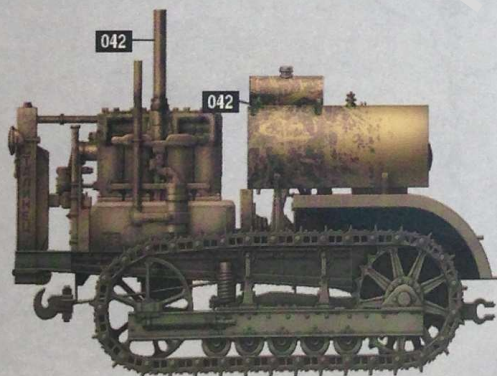
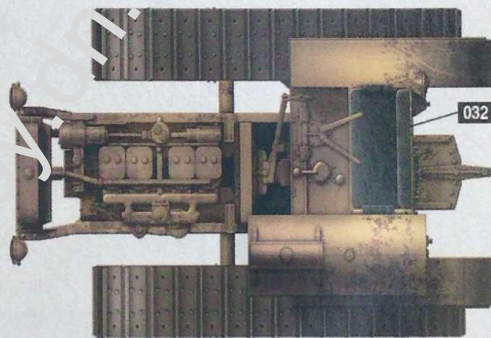
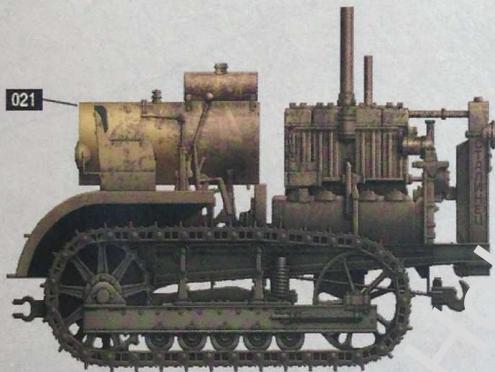
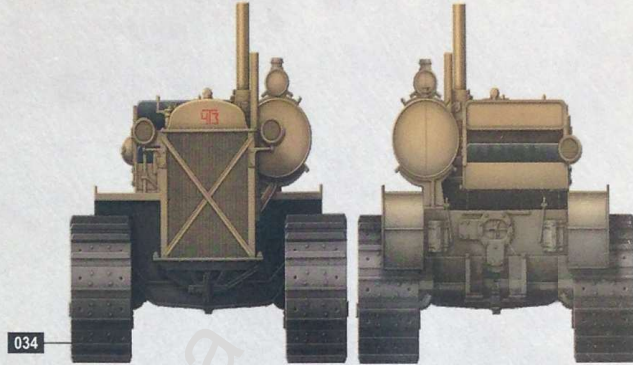
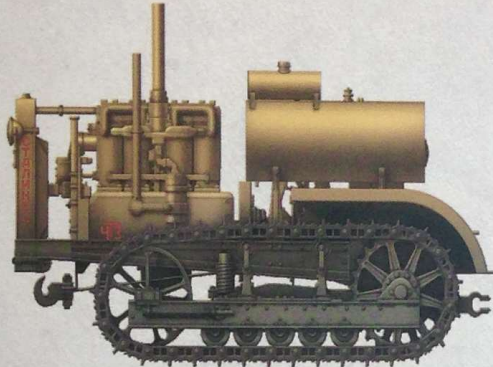
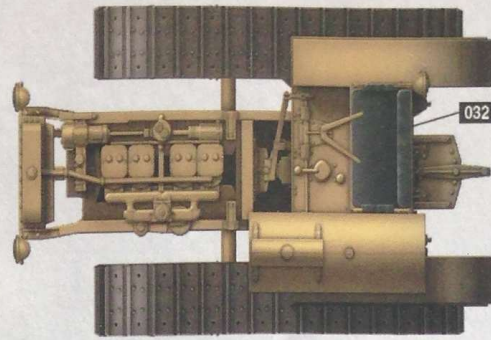
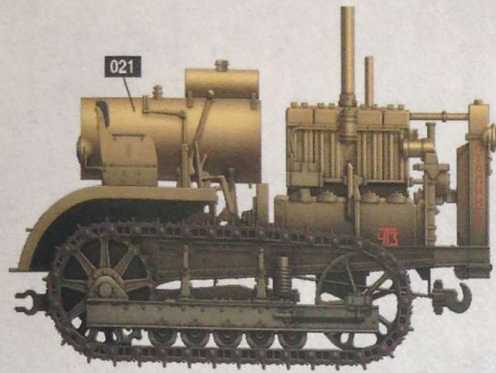
A.MIG-3004 Europe Earth

**5 MUD**

A.MIG-1705 Wet Mud

**6 MUD SPLASHES**

A.MIG-1754 Damp Earth



### WEATHERING STEPS WITH AMMO PRODUCTS

#### 1 GENERAL WASH

A.MIG-1000 Brown Wash for Dark Yellow

#### 2 FILTER

A.MIG-1511 Brown for Dark Yellow

#### 3 GREASE

A.MIG-1408 Fresh Engine Grime

#### 4 DUST

A.MIG-3012 Sand

#### 5 MUD

A.MIG-1704 Heavy Earth

#### 6 MUD SPLASHES

A.MIG-1753 Turned Dirt