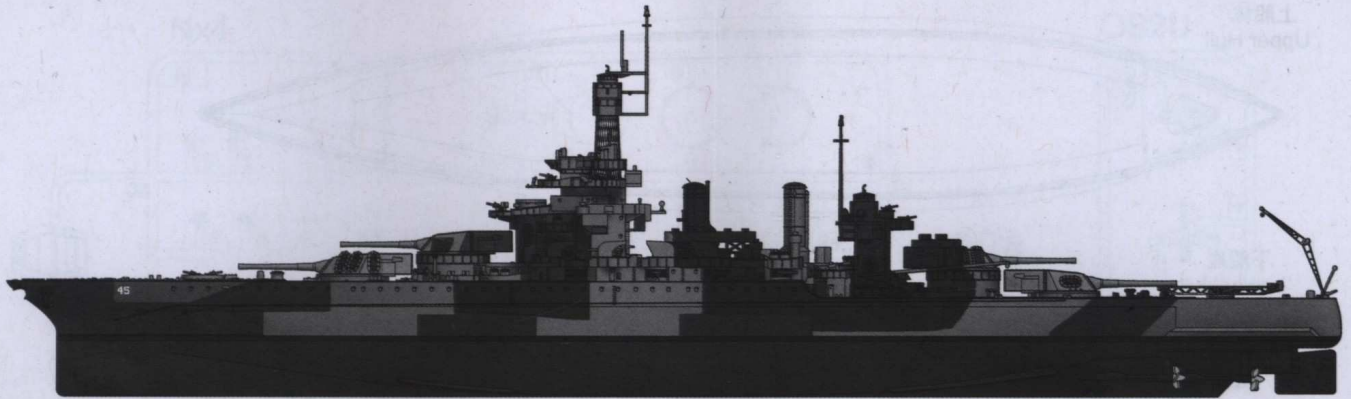


1/700 SCALE

ITEM NO.:05768



# USS Colorado BB-45 1944

## 美国海军BB-45科罗拉多号战列舰 1944

### READ BEFORE ASSEMBLY:

- Study and understand these instructions thoroughly before beginning assembly
- When needed, remove photo-etch parts carefully using a modeling knife or photo etch sprue cutter, being careful not to damage or lose small parts.
- Take extra care in handling photo etch parts in order to avoid injury
- Apply instant cement sparingly to photo etch parts where instructed
- Tools recommended(not included in kit):Plastic and instant cements, sprue cutters,long nose pliers,modeling knife, small files, tweezers, pin vise & scissors. Soft cloth and sandpaper will also assist in construction.
- Glue and paint are not included in the kit. Use plastic cement and hobby paints only. Color guide for purchasing paint is included in the kit.

### 装配之前仔细阅读

- 小心用模型锉刀锉平所有零件表面的注射浇口。
- 小心用刀片切下蚀刻片零件，不要遗失小零件。
- 用强力快干胶水粘合蚀刻片零件和金属轴。过量快干胶水使用可能导致可动零件会粘住，小心涂胶。
- 取蚀刻片时应特别注意安全，防止利边划伤手指。
- 某些零件表面需贴上水贴纸，请选择在装配的同时进行。
- 推荐模型工具(自备)：胶水，水口剪刀，长咀钳，刀片，锉刀，镊子，钳，钻，剪刀，瞬间快干胶。
- 软布同砂纸同时也应该是必备工具。
- 请使用塑料胶水和油漆，模型内不含。



配重  
Weight



使用强力胶  
Cyanoacrylate glue



钻孔  
Make hole



切除  
Cut / Remove



贴纸  
Decal



锉平  
File / Sand



选择  
Option



不涂胶水  
No cement



弯曲  
Bend

### 水贴纸的使用:

- 1.从水贴纸上剪下印花;
- 2.将印花放入温水中浸10秒，然后放在干净布上。
- 3.拿着印花纸板将印花移到模型上;
- 4.手指蘸水将印花移到适当的位置;
- 5.用软布轻压印花直至水干，汽泡消失

### DECAL APPLICATION

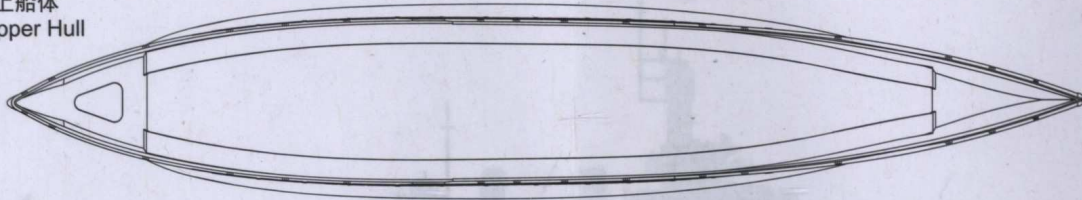
- 1.Cut decals from sheet as needed
- 2.Dip the decal in warm water for about 10 seconds and then place on soft clean cloth.
- 3.Hold the decal backing sheet edge and gently slide the decal onto the model in its proper position.

- 4.While still wet,decal can be adjusted for better fit on model by dampening it gently with your finger.
- 5.When placed in the proper position,gently press decal down with a soft cloth until excess water and air bubbles are gone.
- 6.Allow decal to dry completely before handling model

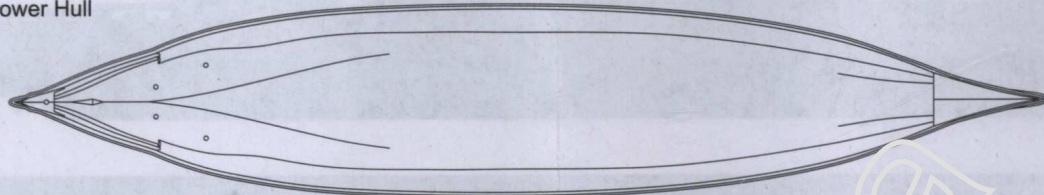


# 部品图 Parts

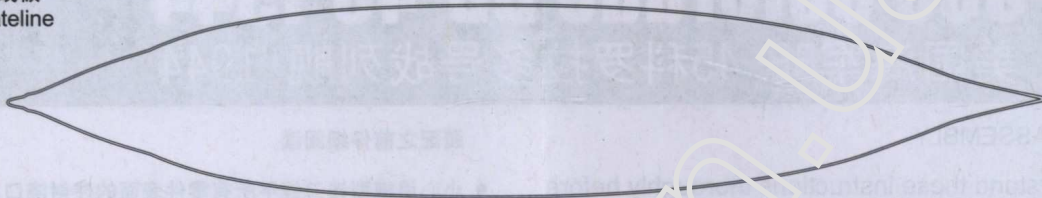
上船体  
Upper Hull



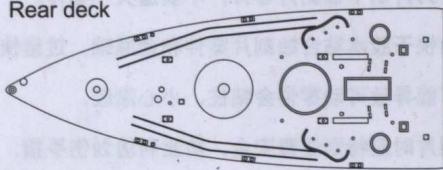
下船底  
Lower Hull



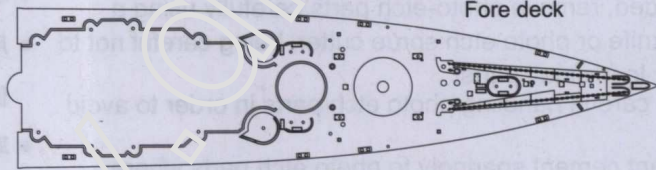
水线板  
Wateline



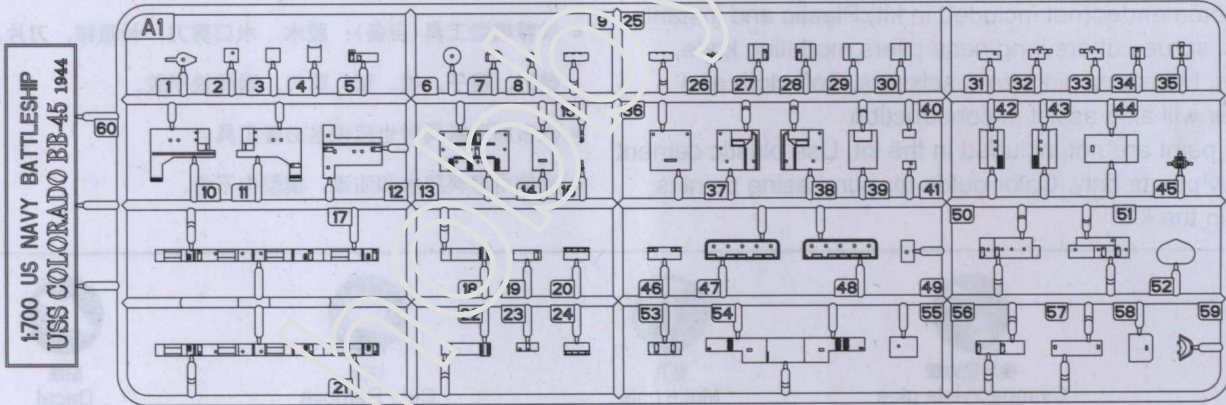
后甲板  
Rear deck



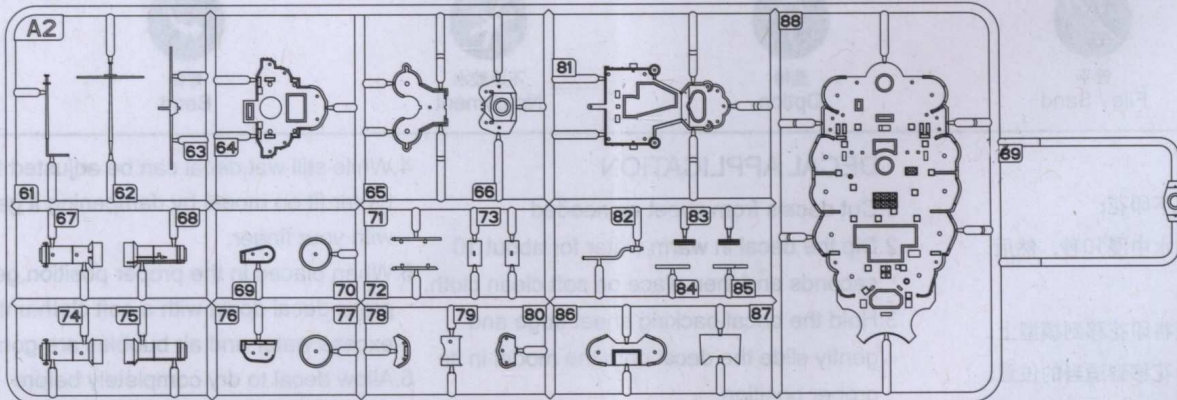
前甲板  
Fore deck



A1

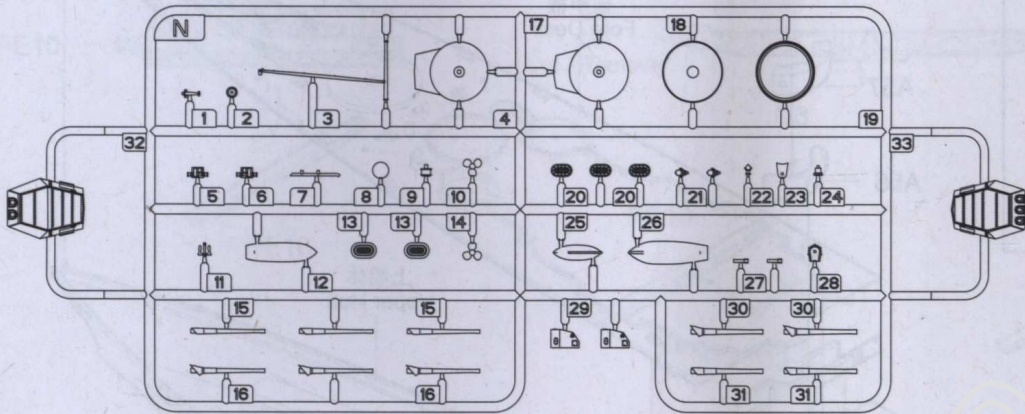


A2

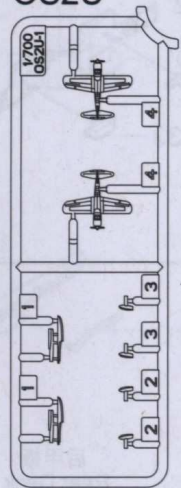




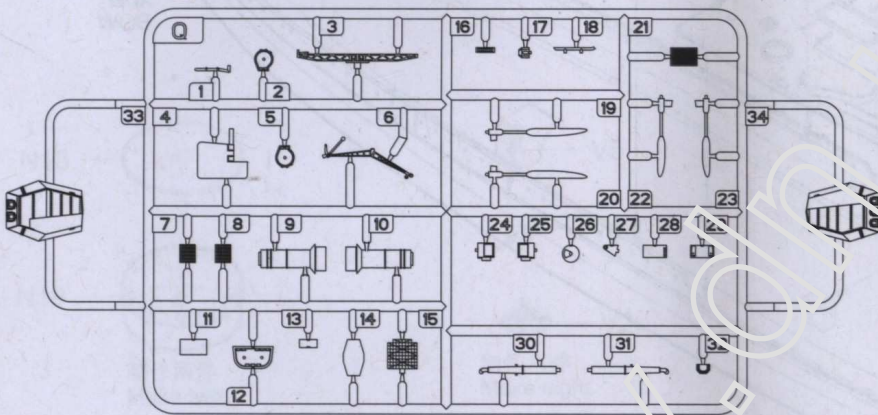
Nx4



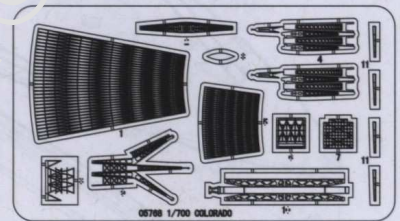
OS2U



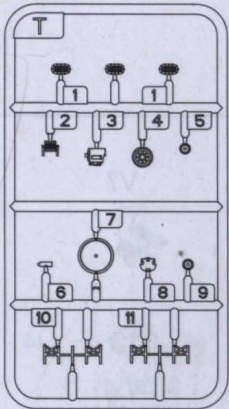
Q



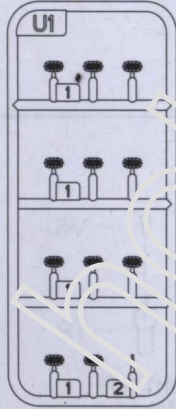
《蚀刻片》PE



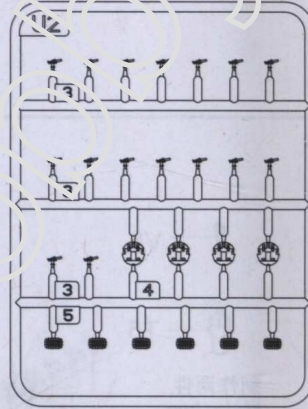
Tx2



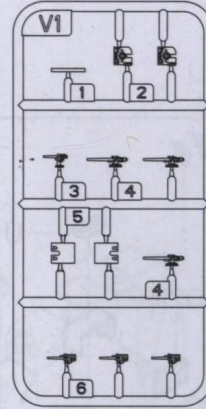
U1x4



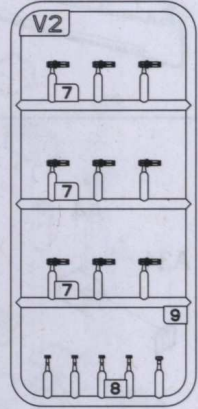
U2x4



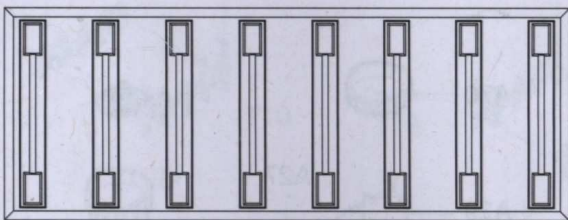
V1x4



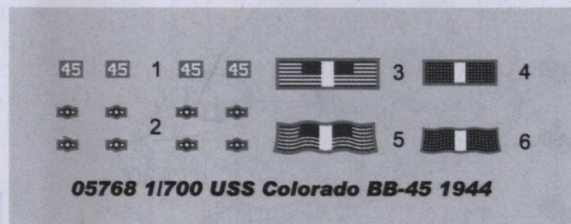
V2x4



《底座》Stand

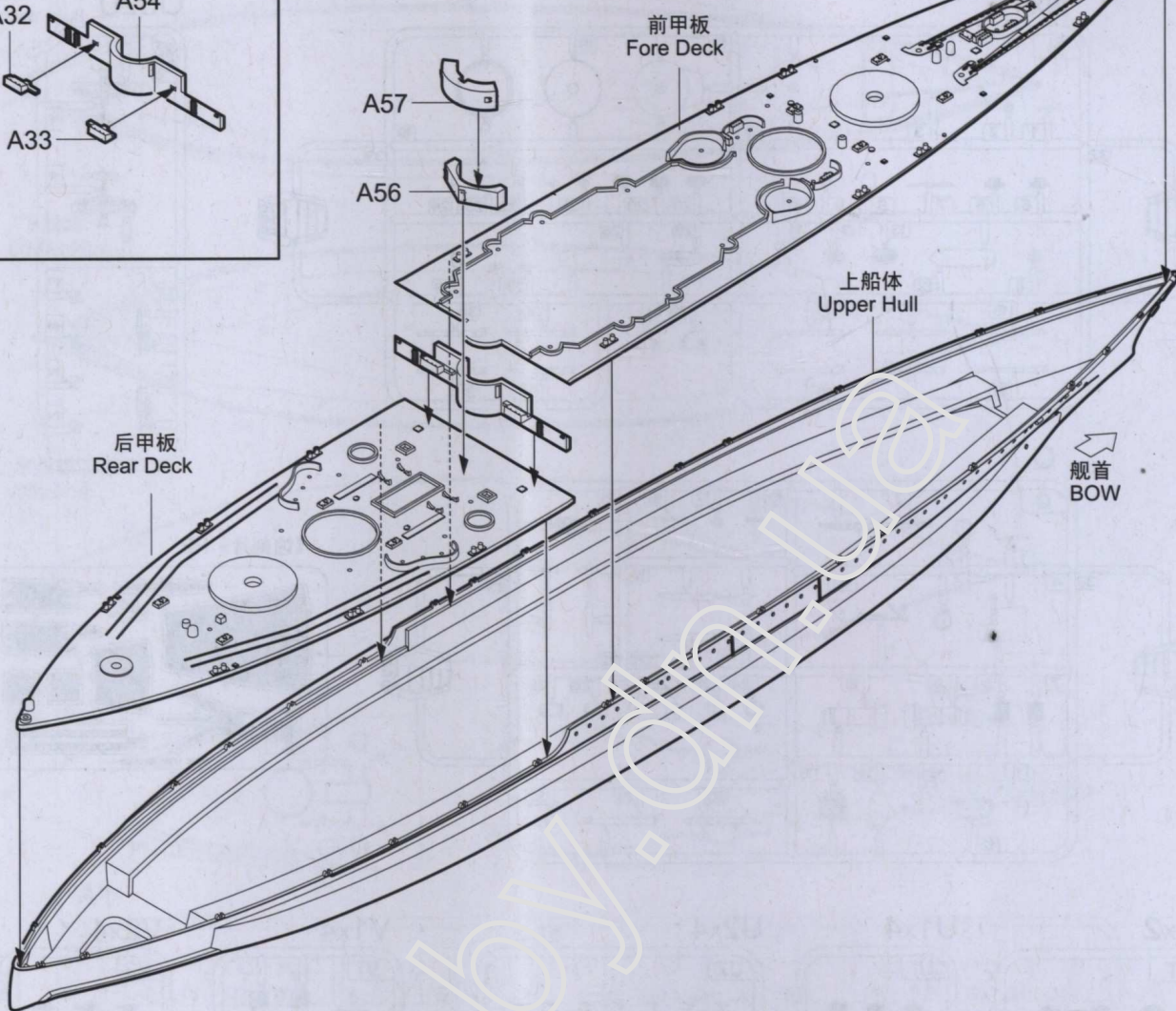
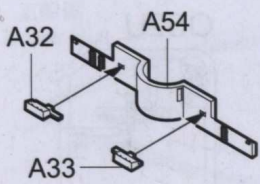


《水贴纸》Dacle

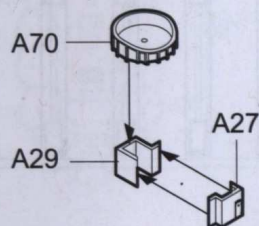
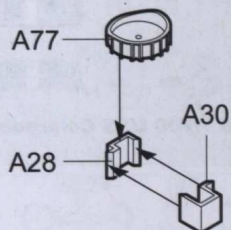
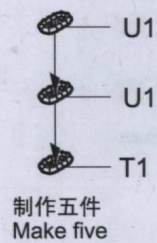
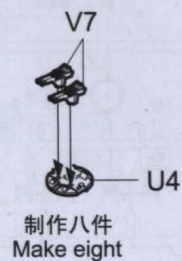
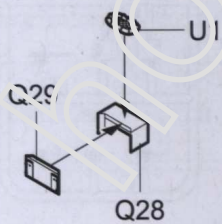
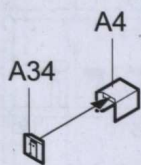




1

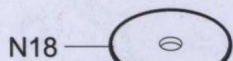
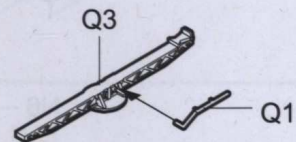
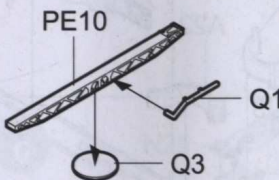
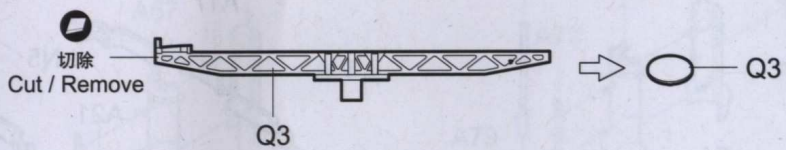
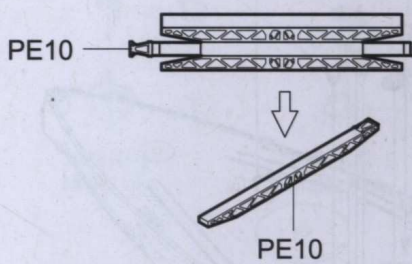


2

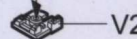
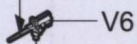




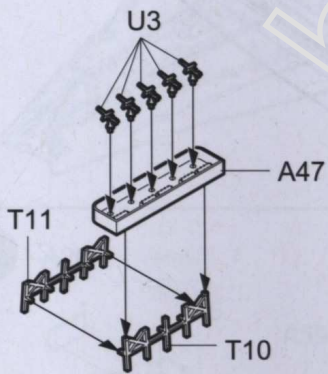
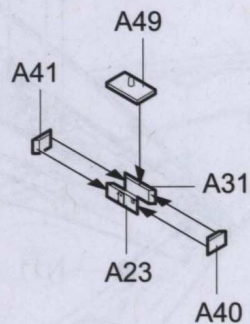
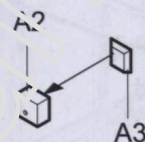
3



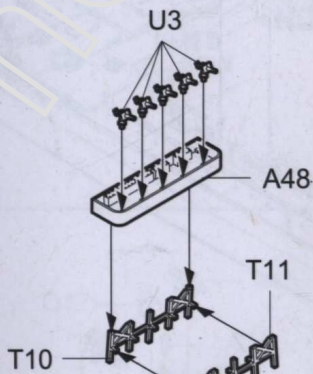
制作两件  
Make two



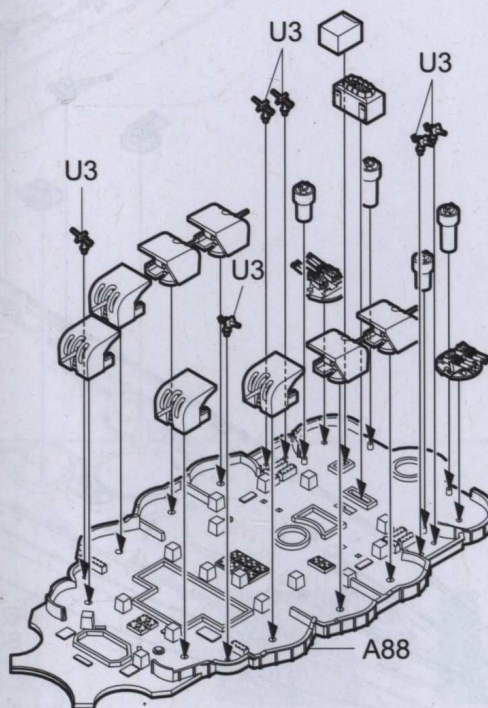
制作八件  
Make eight



<III>

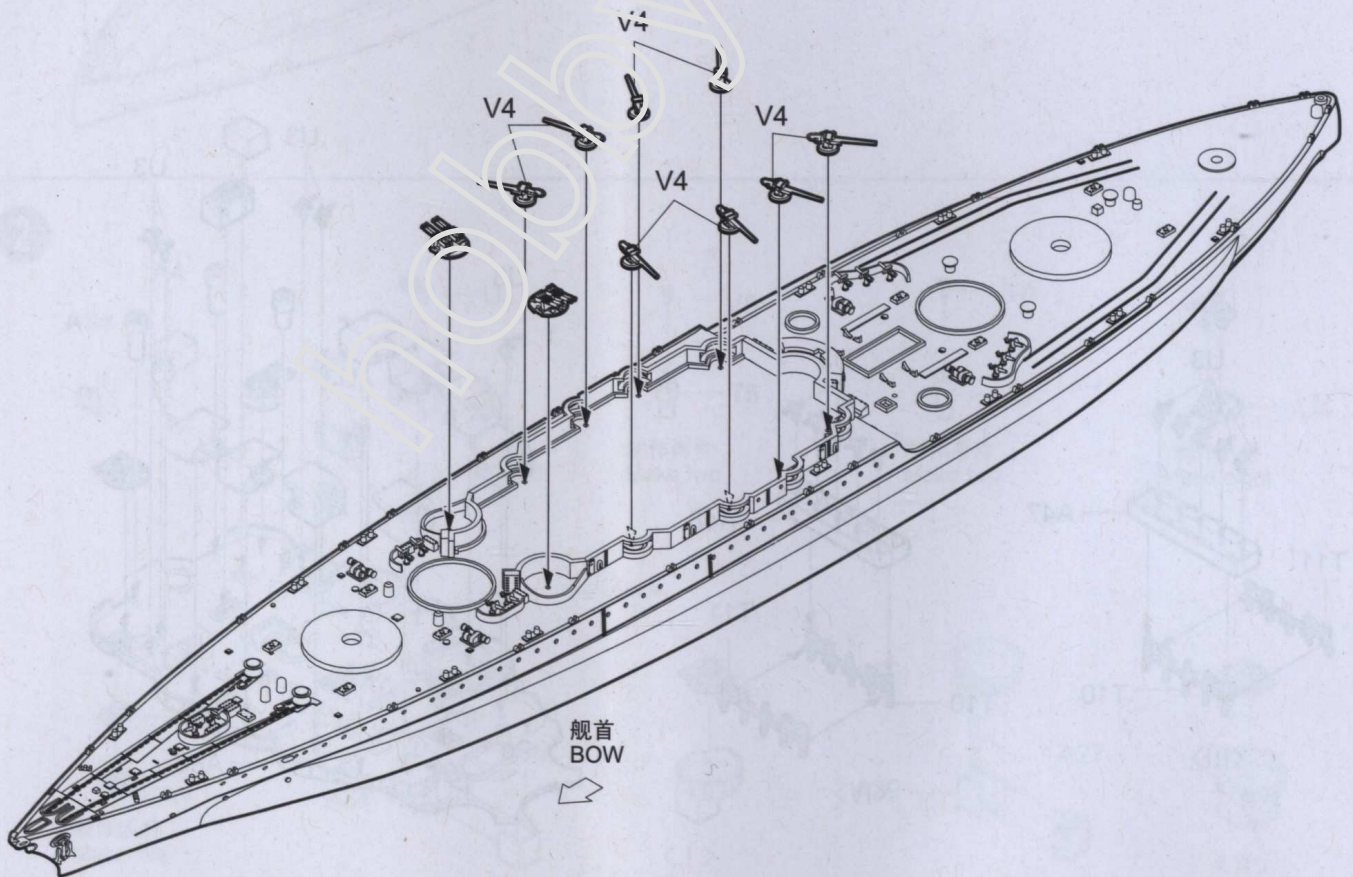
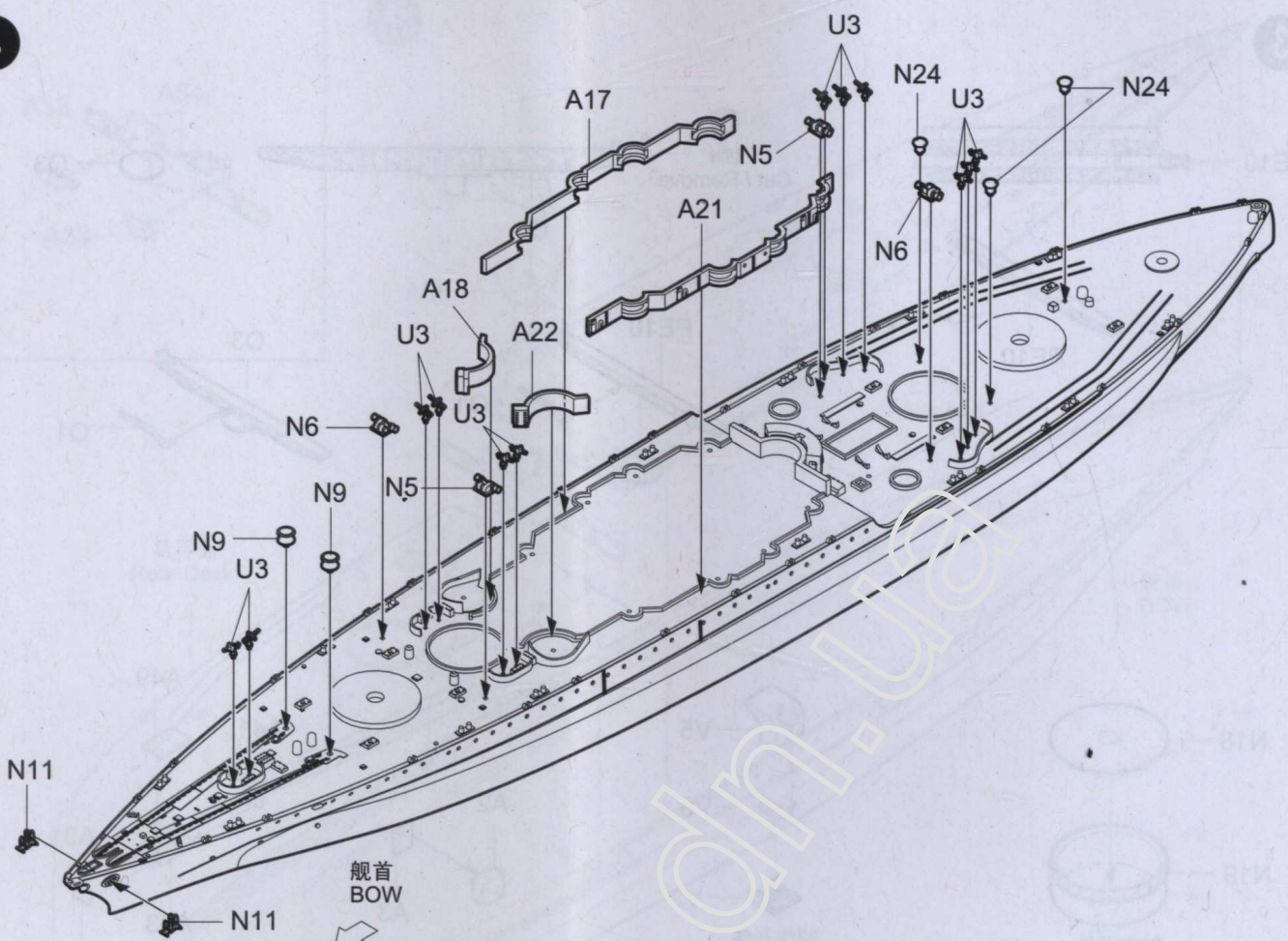


<IV>



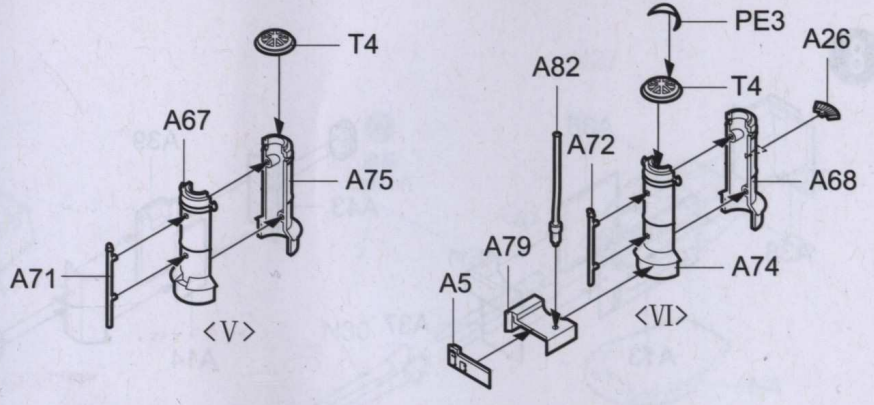
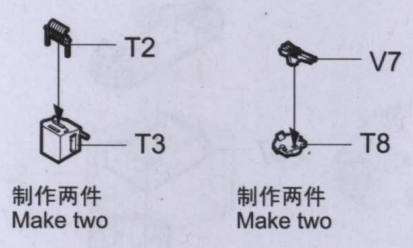


4

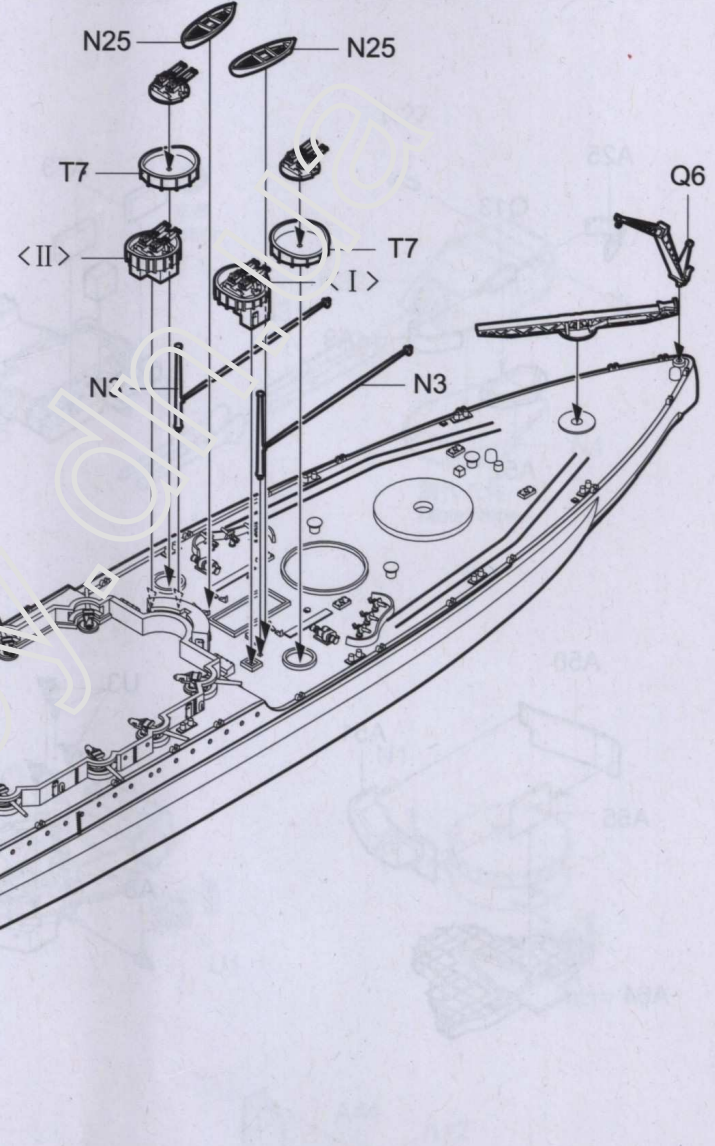
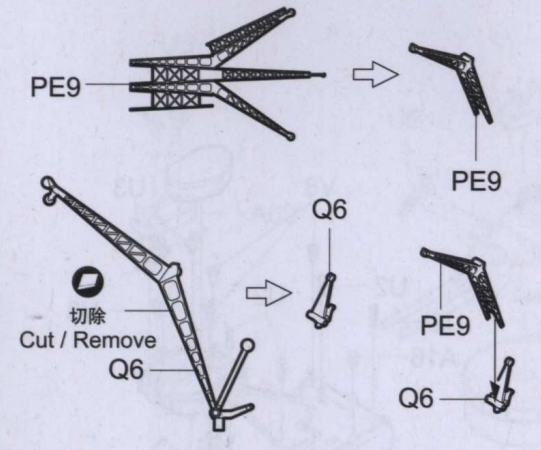




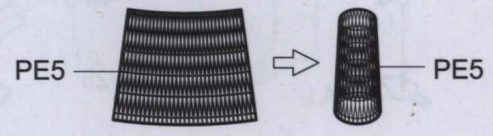
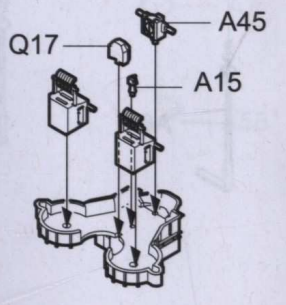
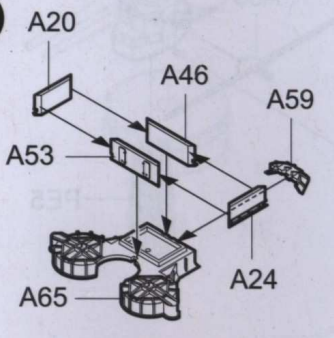
5



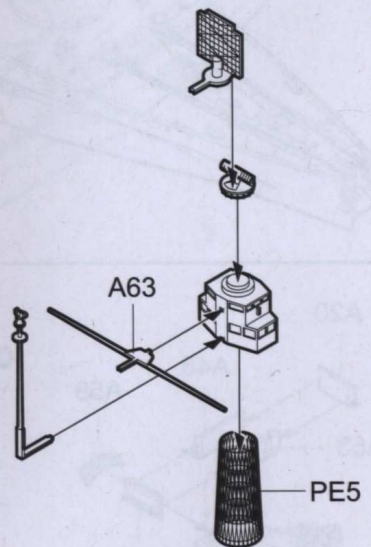
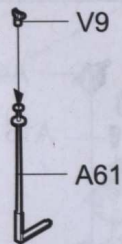
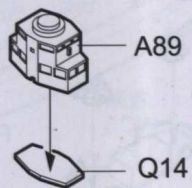
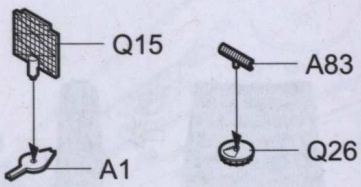
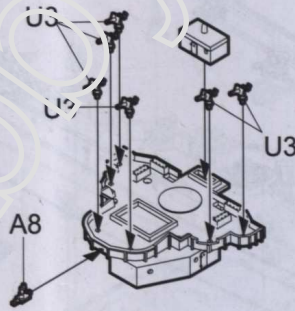
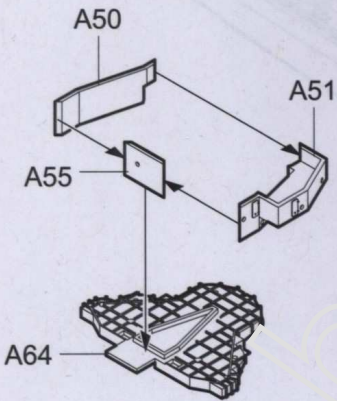
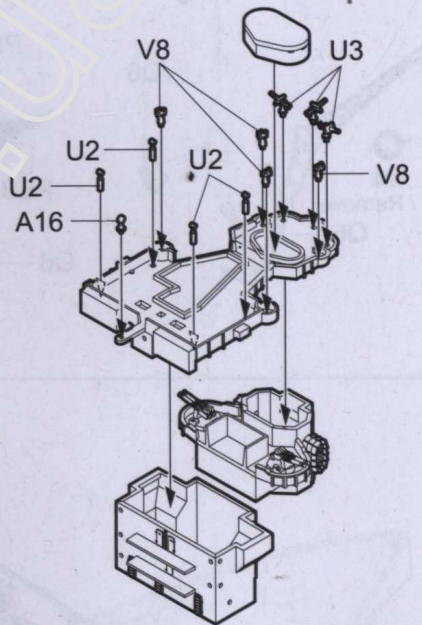
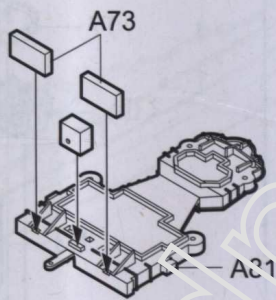
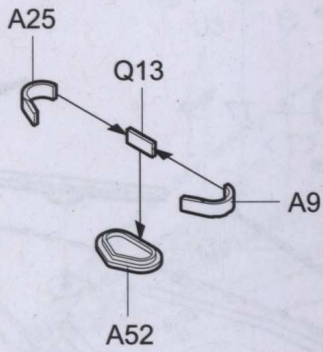
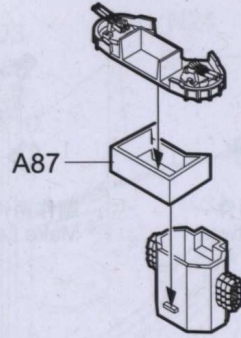
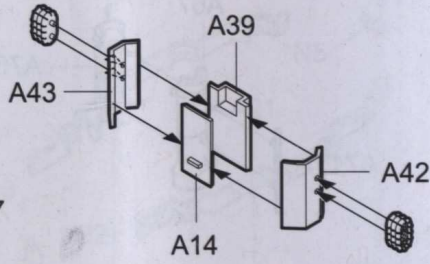
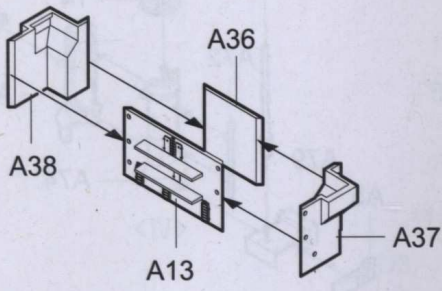
6



7



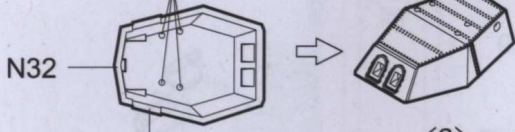






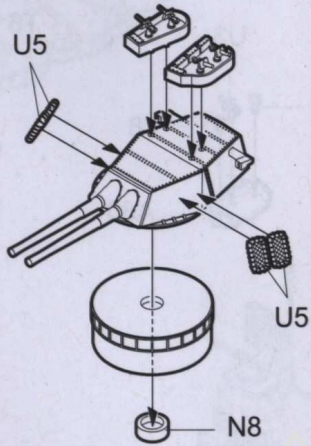
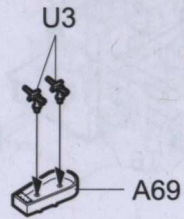
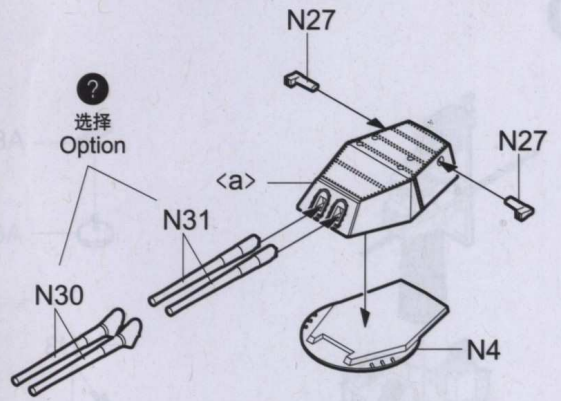
9

①  
钻孔  
Make holes

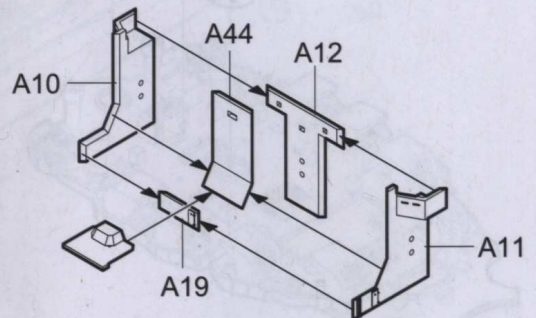
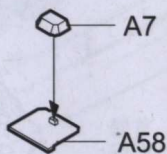
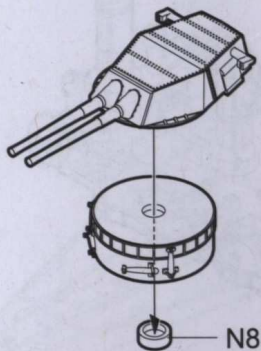
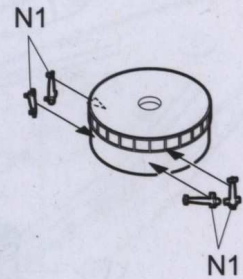
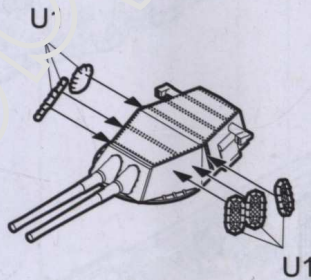
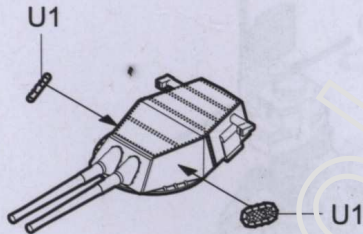
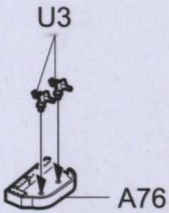
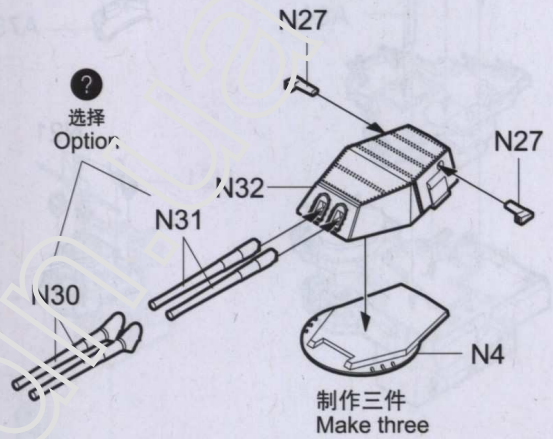


②  
切除  
Cut / Remove

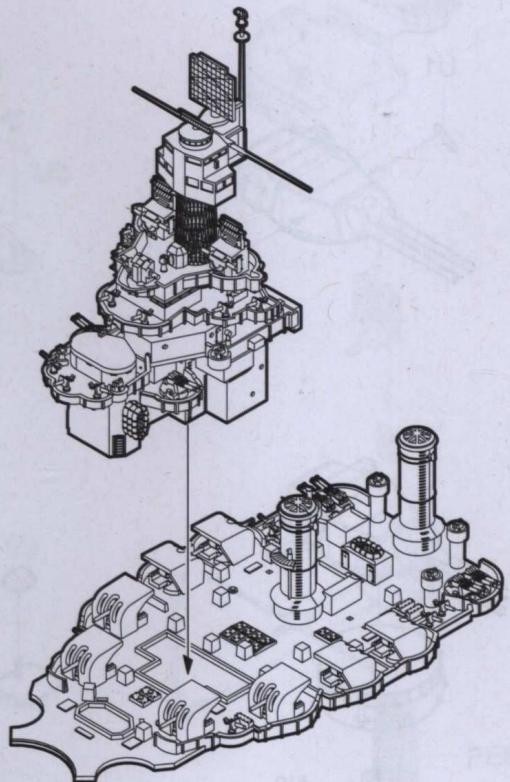
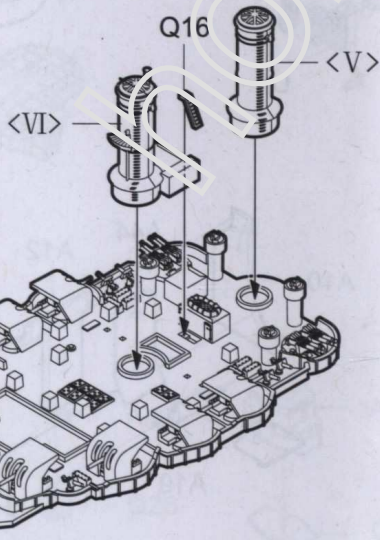
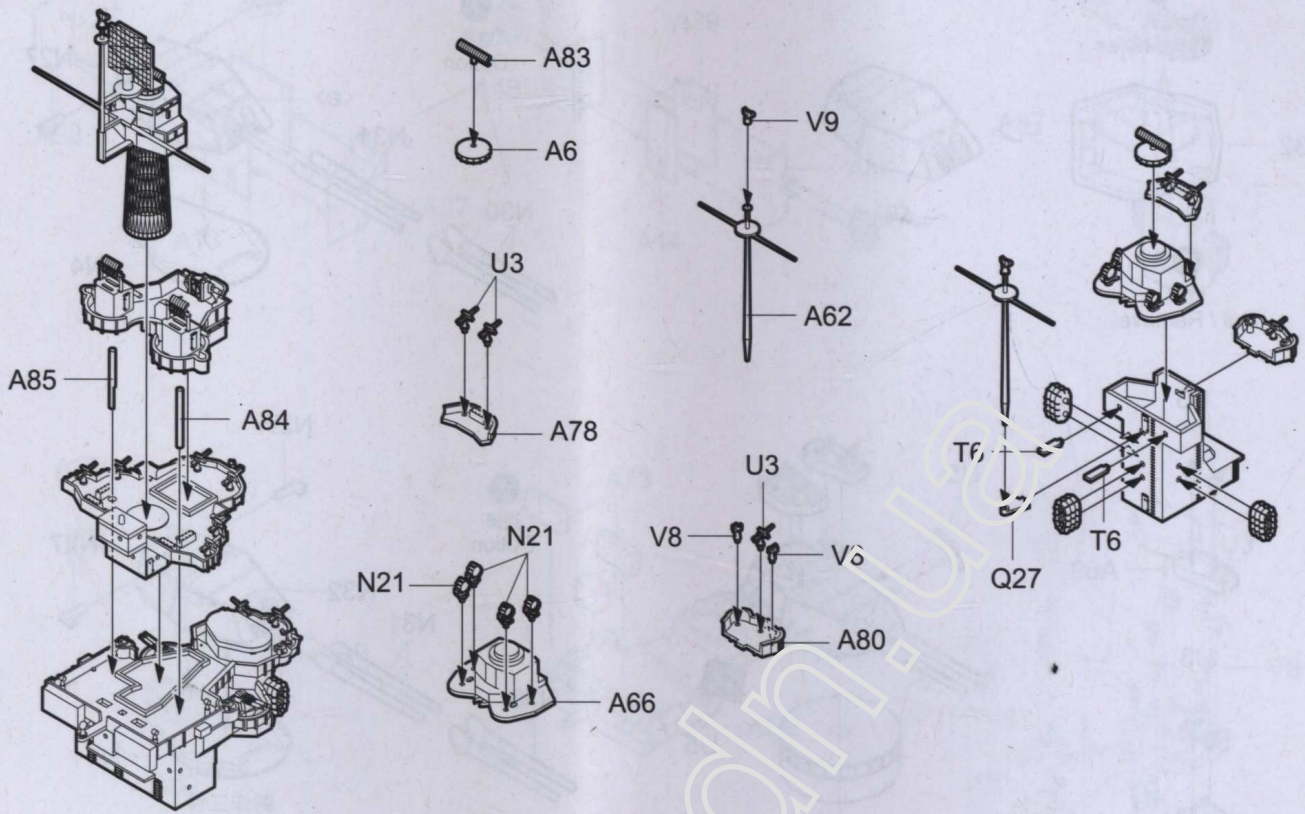
③  
选择  
Option



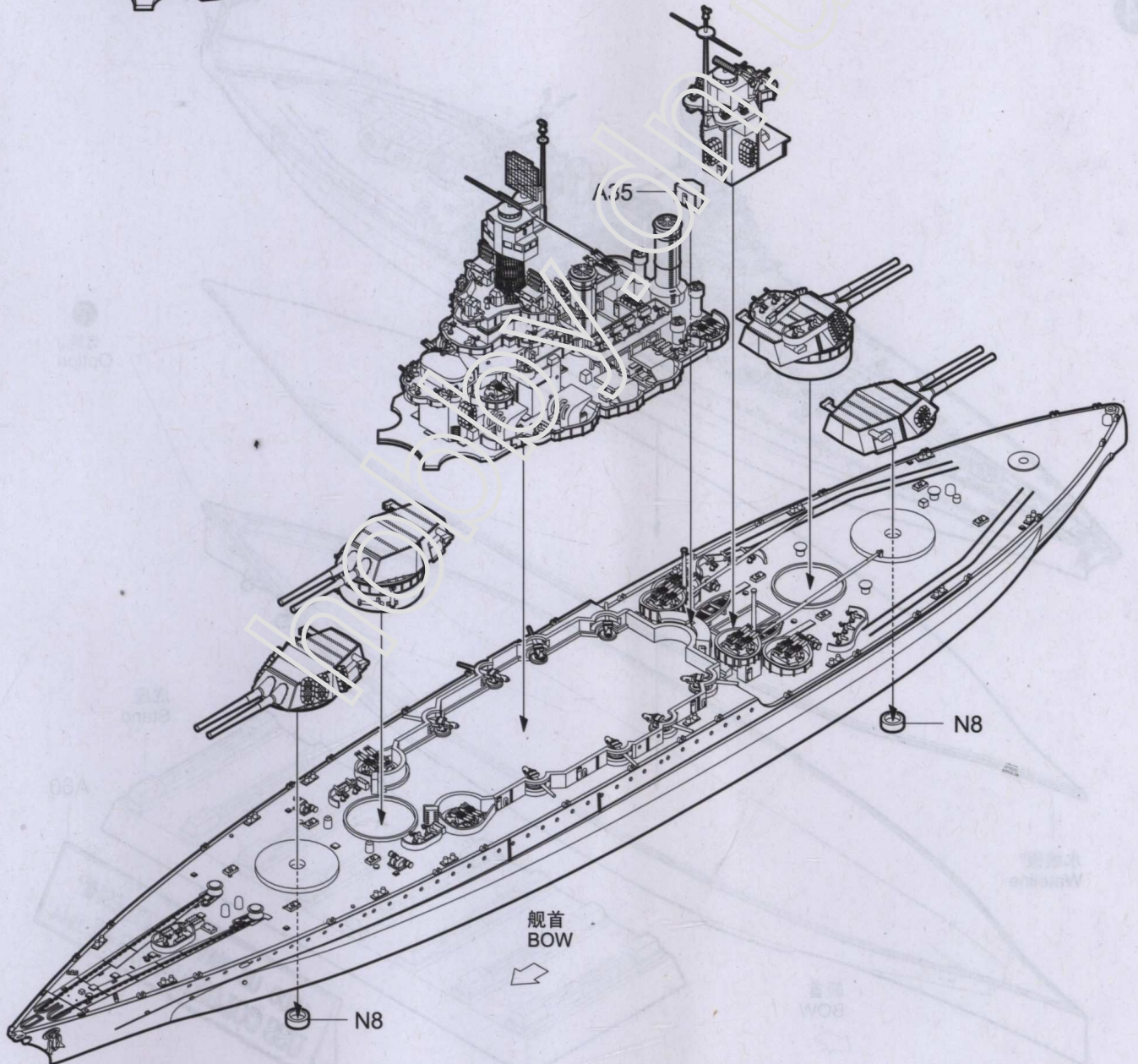
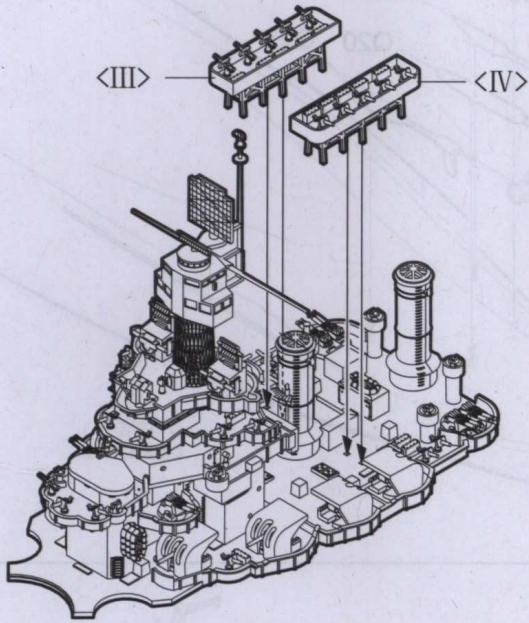
④  
选择  
Option:







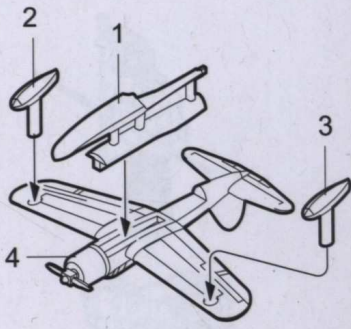






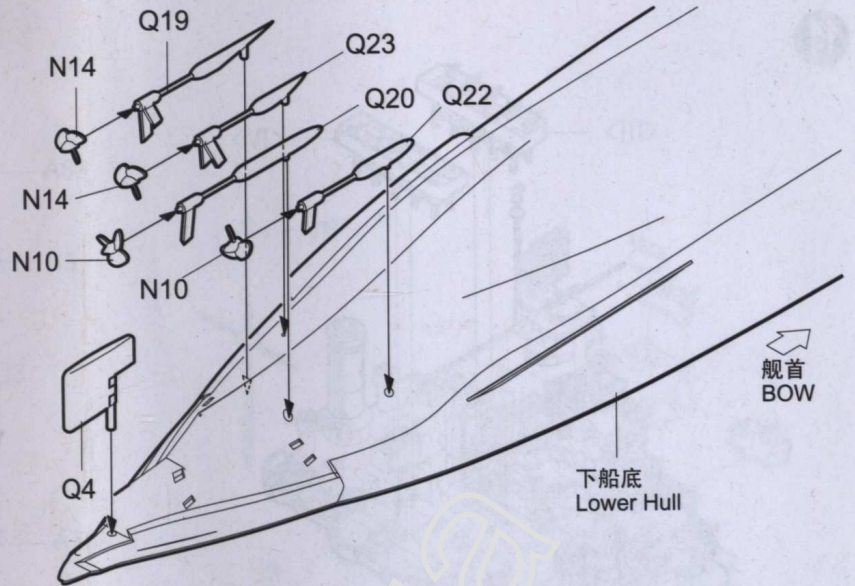
《OS2U》的组装

12



制作两件  
Make two

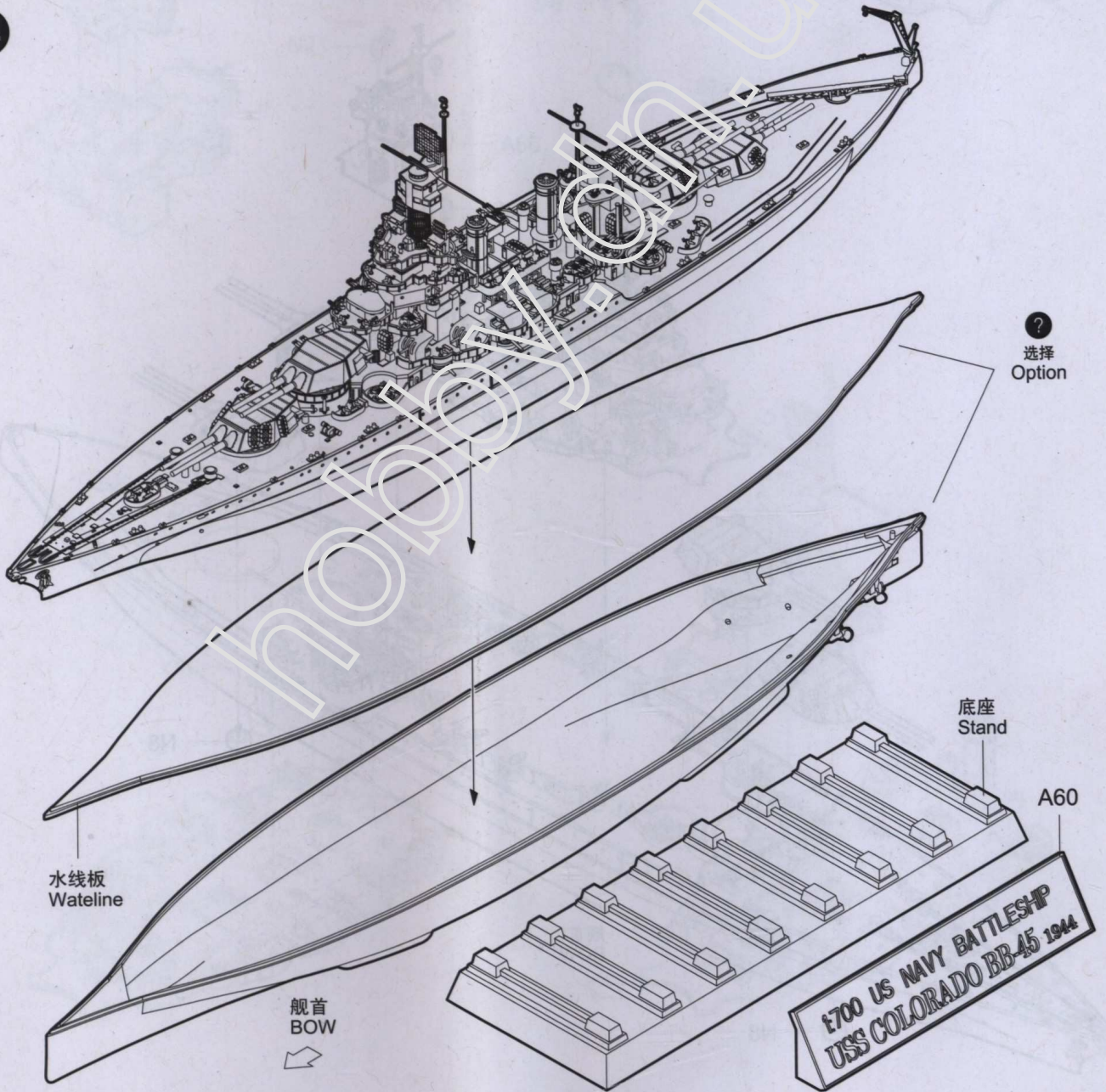
13



下船底  
Lower Hull

舰首  
BOW

14



选择  
Option

水线板  
Wateline

舰首  
BOW

底座  
Stand

A60

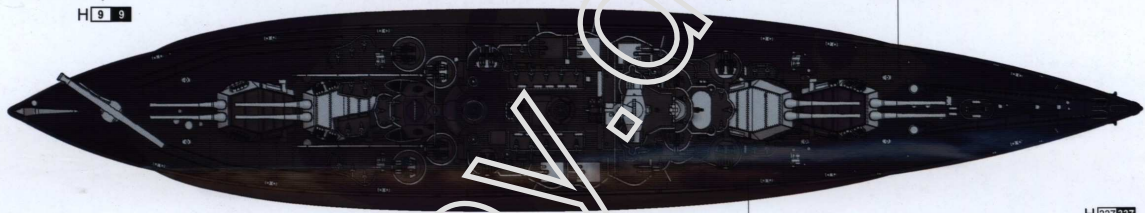
E700 US NAVY BATTLESHIP  
USS COLORADO BB-45 1944



# 涂装同标贴指示

## Painting & Marking guide

Color	Mr.Hobby	Vallejo	Model Master	Tamiya	Humbrol
Blue Gray 灰蓝色	H[42 72]	907	1731	—	146
Gold Brown 褐色	H[17 29]	985	—	XF9	177
Flat White 纯白	H[11 62]	951	1768	XF2	34
Flat Black 纯黑色	H[12 33]	950	1749	XF1	33
Gold 金色	H[9 9]	878	1744	X12	16
Light Gray 浅灰色	H[338 338]	907	1732	XF14	147
Gray Blue 深灰兰	H[337 337]	—	1721	XF20	145
Naval Blue 海军蓝	H[363 365]	—	—	—	—



H [ ] AQUEOUS HOBBY COLOR    [ ] Mr. COLOR