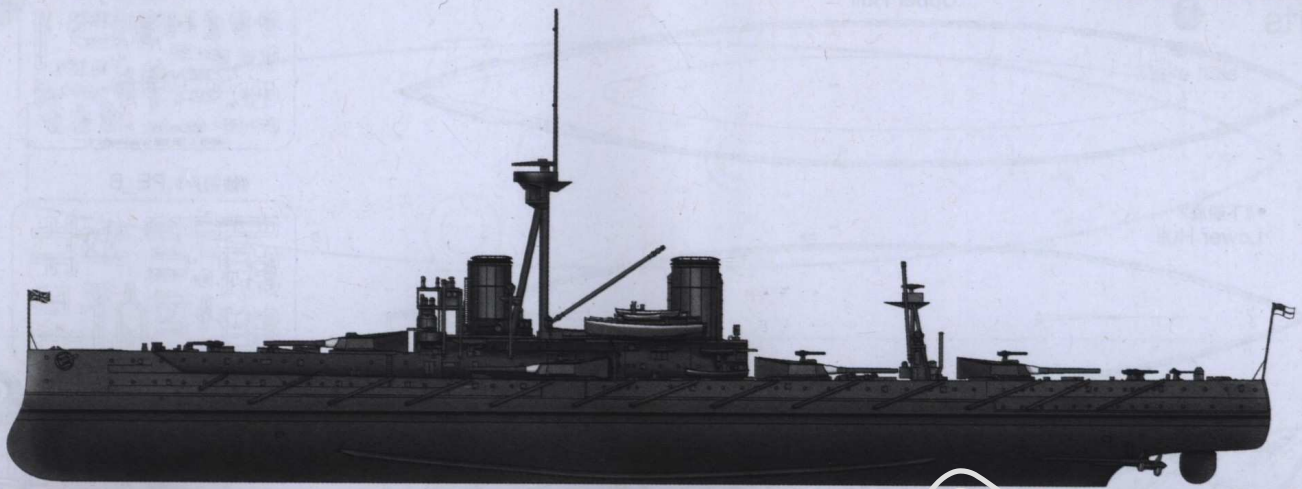


1/700 SCALE

ITEM NO.:06705



HMS Dreadnought 1905

英国皇家海军“无畏”号战列舰(1905年)

READ BEFORE ASSEMBLY:

- Study and understand these instructions thoroughly before beginning assembly
- When needed, remove photo-etch parts carefully using a modeling knife or photo etch sprue cutter, being careful not to damage or lose small parts.
- Take extra care in handling photo etch parts in order to avoid injury
- Apply instant cement sparingly to photo etch parts where instructed
- Tools recommended(not included in kit):Plastic and instant cements, sprue cutters,long nose pliers,modeling knife, small files, tweezers, pin vise & scissors. Soft cloth and sandpaper will also assist in construction.
- Glue and paint are not included in the kit. Use plastic cement and hobby paints only. Color guide for purchasing paint is included in the kit.

装配之前仔细阅读

- 小心用模型锉刀锉平所有零件表面的注射浇口。
- 小心用刀片切下蚀刻片零件，不要遗失小零件。
- 用强力快干胶水粘合蚀刻片零件和金属轴。过量快干胶水使用可能导致可动零件会粘住，小心涂胶。
- 取蚀刻片时应特别注意安全，防止利边划伤手指。
- 某些零件表面需贴上水贴纸，请选择在装配的同时进行。
- 推荐模型工具(自备)：胶水，水口剪刀，长咀钳，刀片，锉刀，镊子，钳，钻，剪刀，瞬间快干胶。
- 软布同砂纸同时也应该是必备工具。
- 请使用塑料胶水和油漆，模型内不含。



配重
Weight



使用强力胶
Cyanoacrylate glue



钻孔
Make hole



切除
Cut / Remove



贴纸
Decal



锉平
File / Sand



选择
Option



不涂胶水
No cement



弯曲
Bend

水贴纸的使用:

- 1.从水贴纸上剪下印花;
- 2.将印花放入温水中浸10秒, 然后放在干净布上。
- 3.拿着印花纸板将印花移到模型上;
- 4.手指蘸水将印花移到适当的位置;
- 5.用软布轻压印花直至水干, 汽泡消失

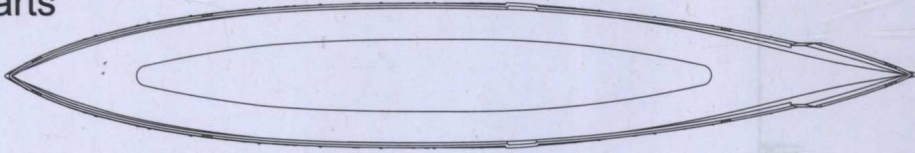
DECAL APPLICATION

- 1.Cut decals from sheet as needed
- 2.Dip the decal in warm water for about 10 seconds and then place on soft clean cloth.
- 3.Hold the decal backing sheet edge and gently slide the decal onto the model in its proper position.

- 4.While still wet,decal can be adjusted for better fit on model by dampening it gently with your finger.
- 5.When placed in the proper position,gently press decal down with a soft cloth until excess water and air bubbles are gone.
- 6.Allow decal to dry completely before handling model

部品图
Parts

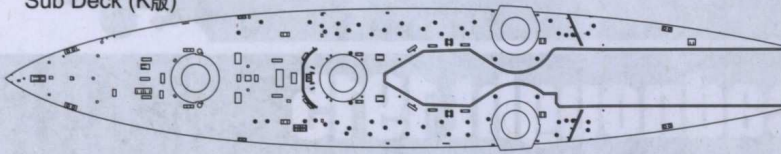
《上船体》
Upper Hull



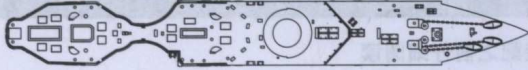
《下船底》
Lower Hull



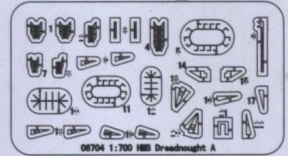
Sub Deck (K版)



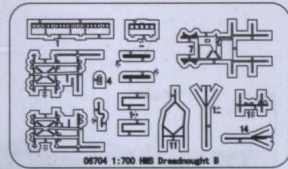
Super Deck (L版)



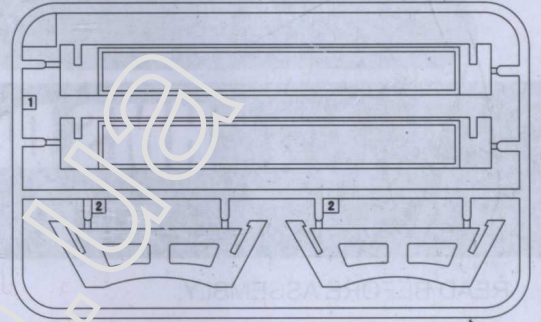
《蚀刻片》 PE_A



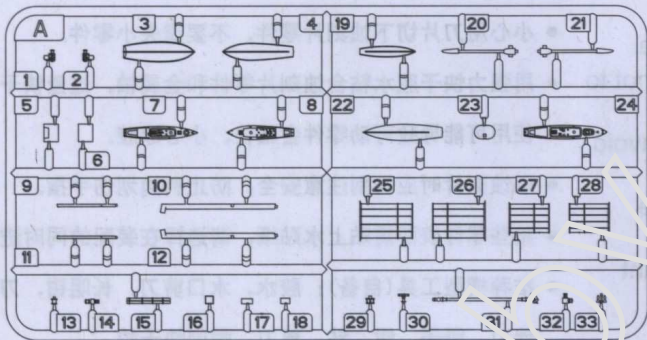
《蚀刻片》 PE_B



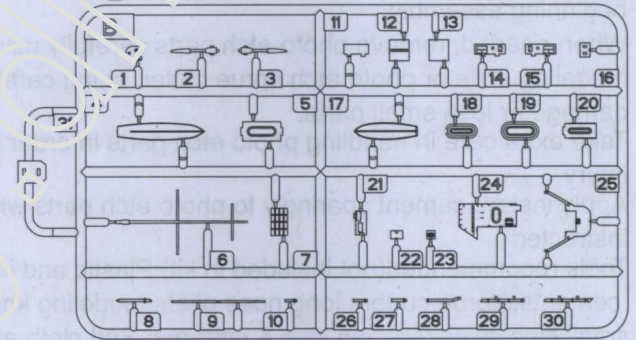
《座架》 Stand



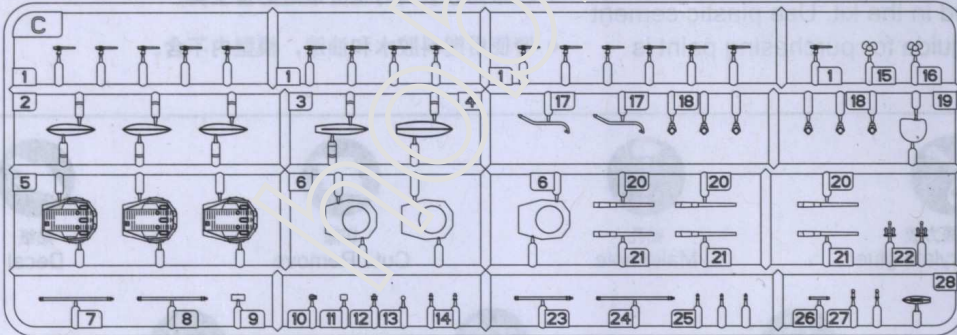
A



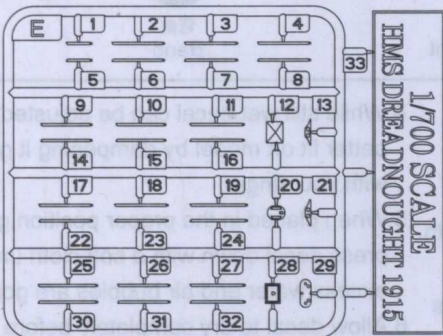
B



C x 2

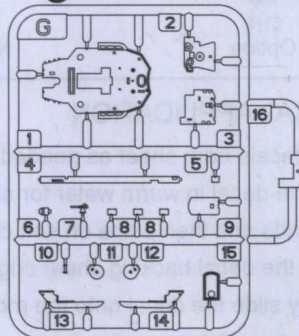


E

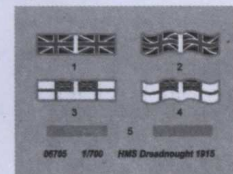


HMS DREADNOUGHT 1915
1/700 SCALE

G



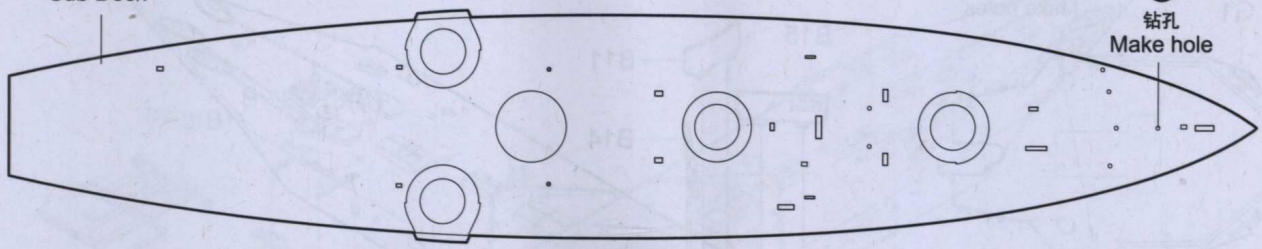
水贴
Decal



1

《下层甲板》
Sub Deck

Ⓡ
钻孔
Make hole



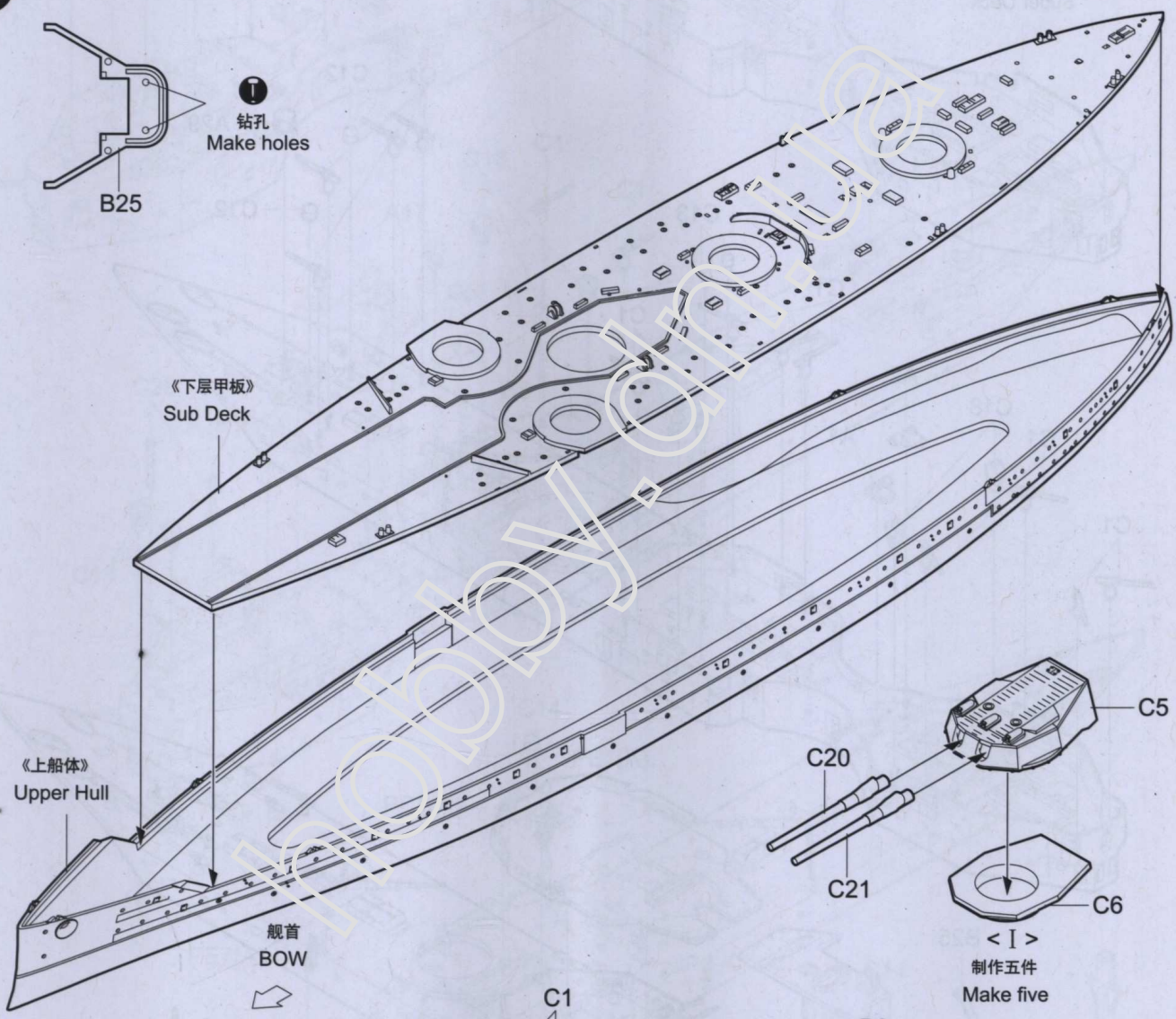
2

Ⓡ
钻孔
Make holes
B25

《下层甲板》
Sub Deck

《上船体》
Upper Hull

舰首
BOW



C5
C20
C21
C6
< I >
制作五件
Make five

B24
B31

C1
< I >
制作四件
Make four

B9
PE21(A)
PE13(A)
PE20(A)
G15

3

1

钻孔
Make holes

G1

B15

B11

B14

《上层甲板》
Super Deck

C1

C12

A29

C12

C13

C1

C1

A2

A1

C18

C1

C1

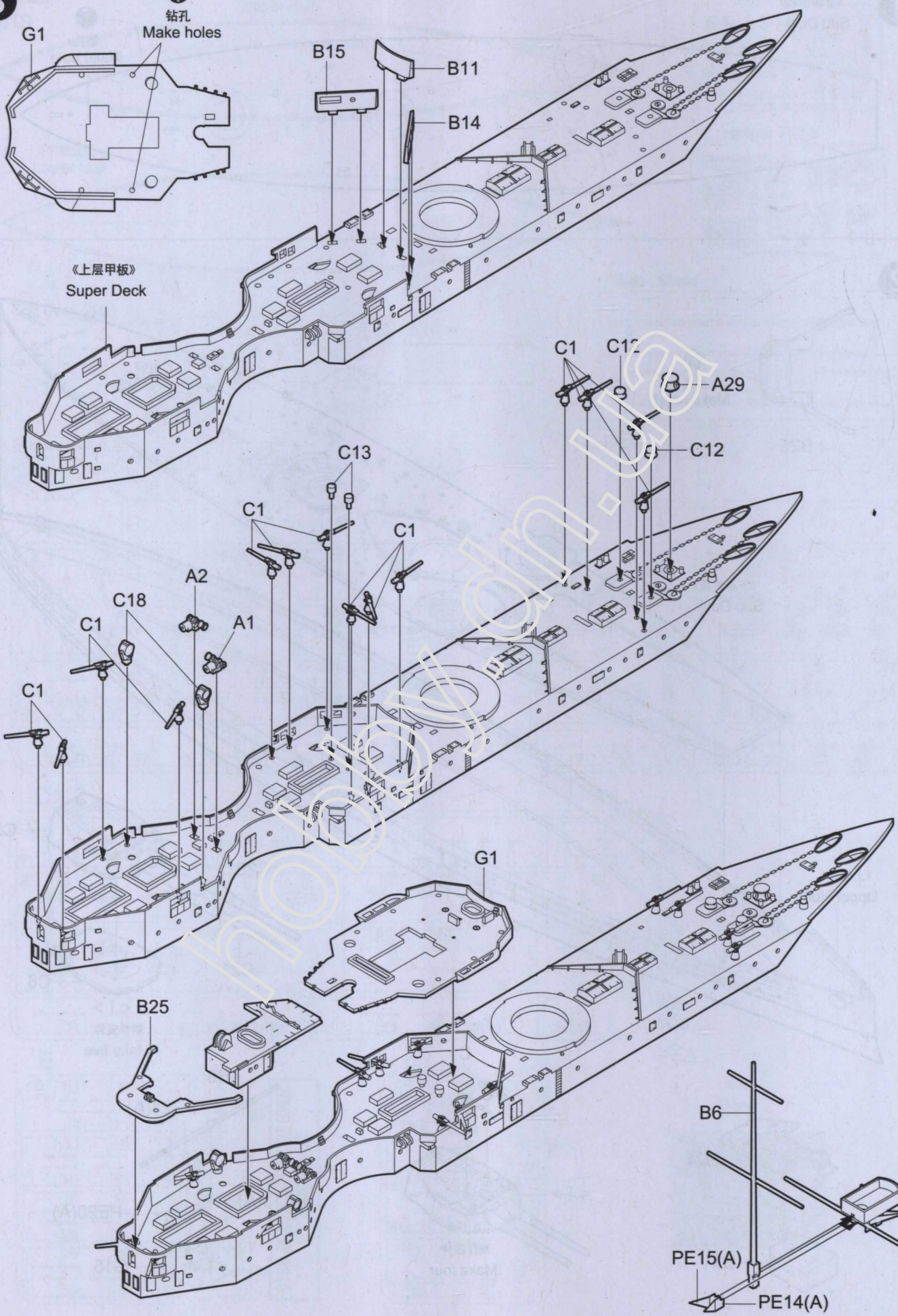
G1

B25

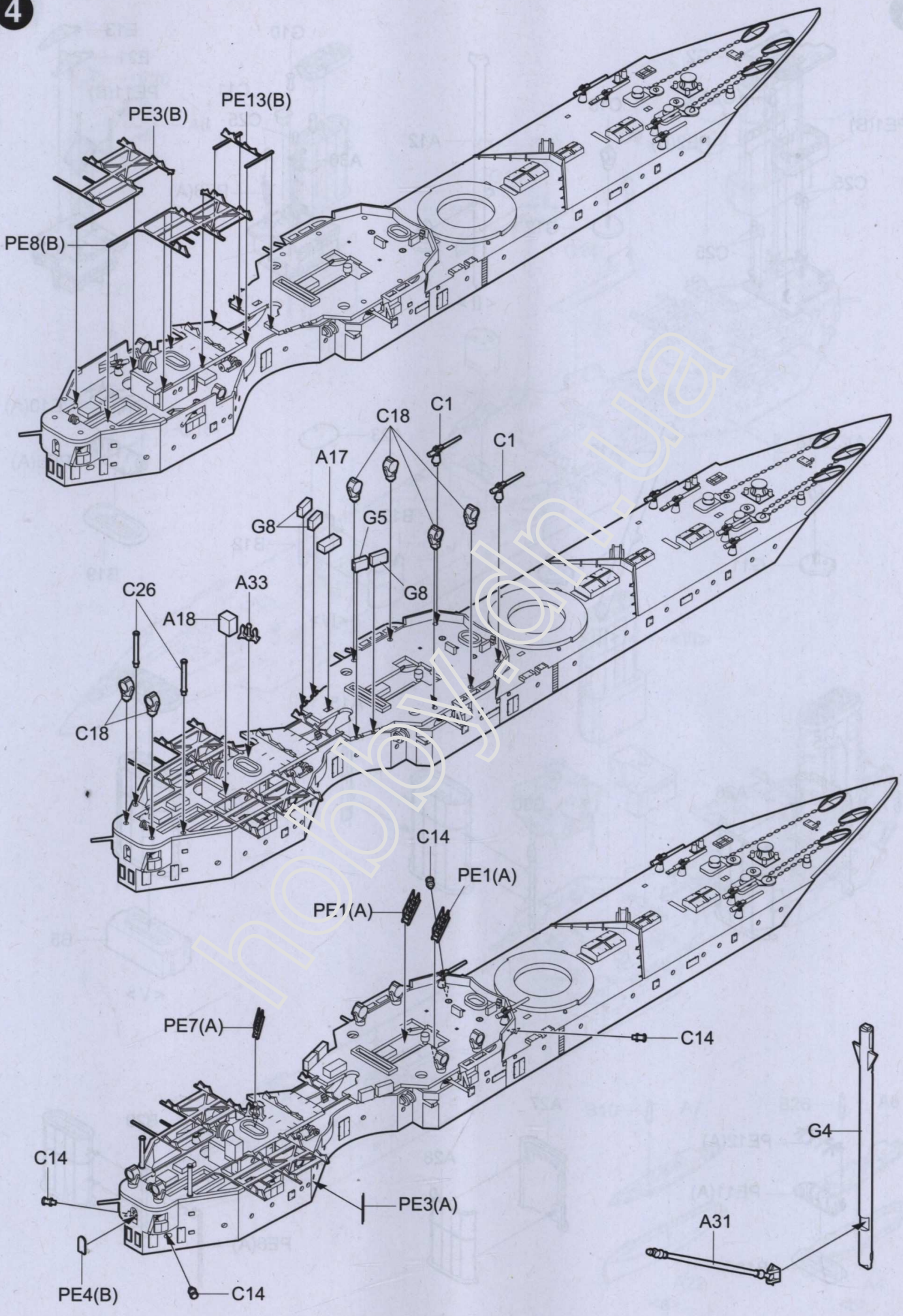
B6

PE15(A)

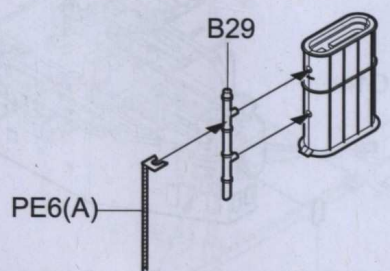
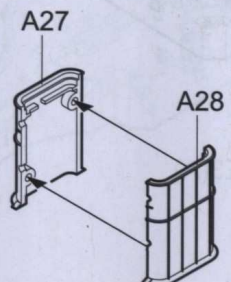
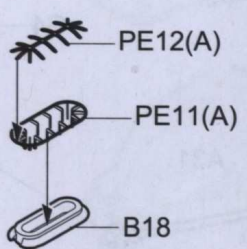
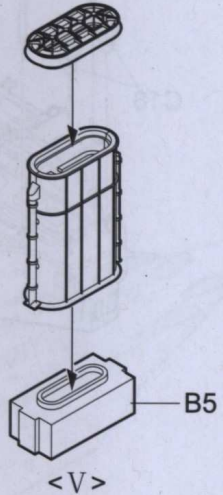
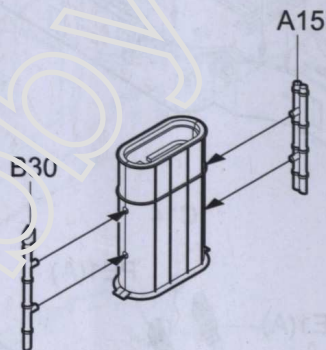
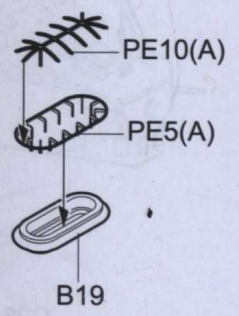
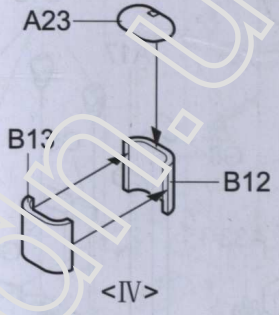
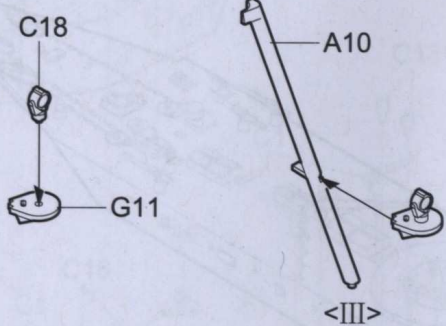
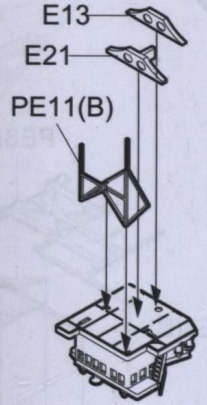
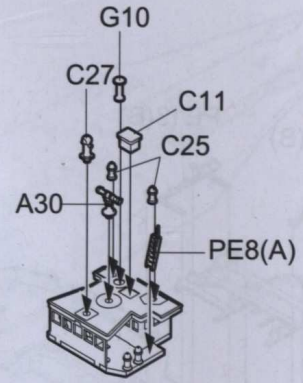
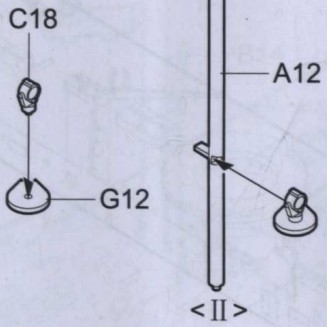
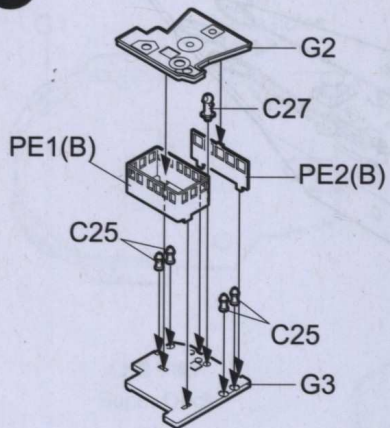
PE14(A)



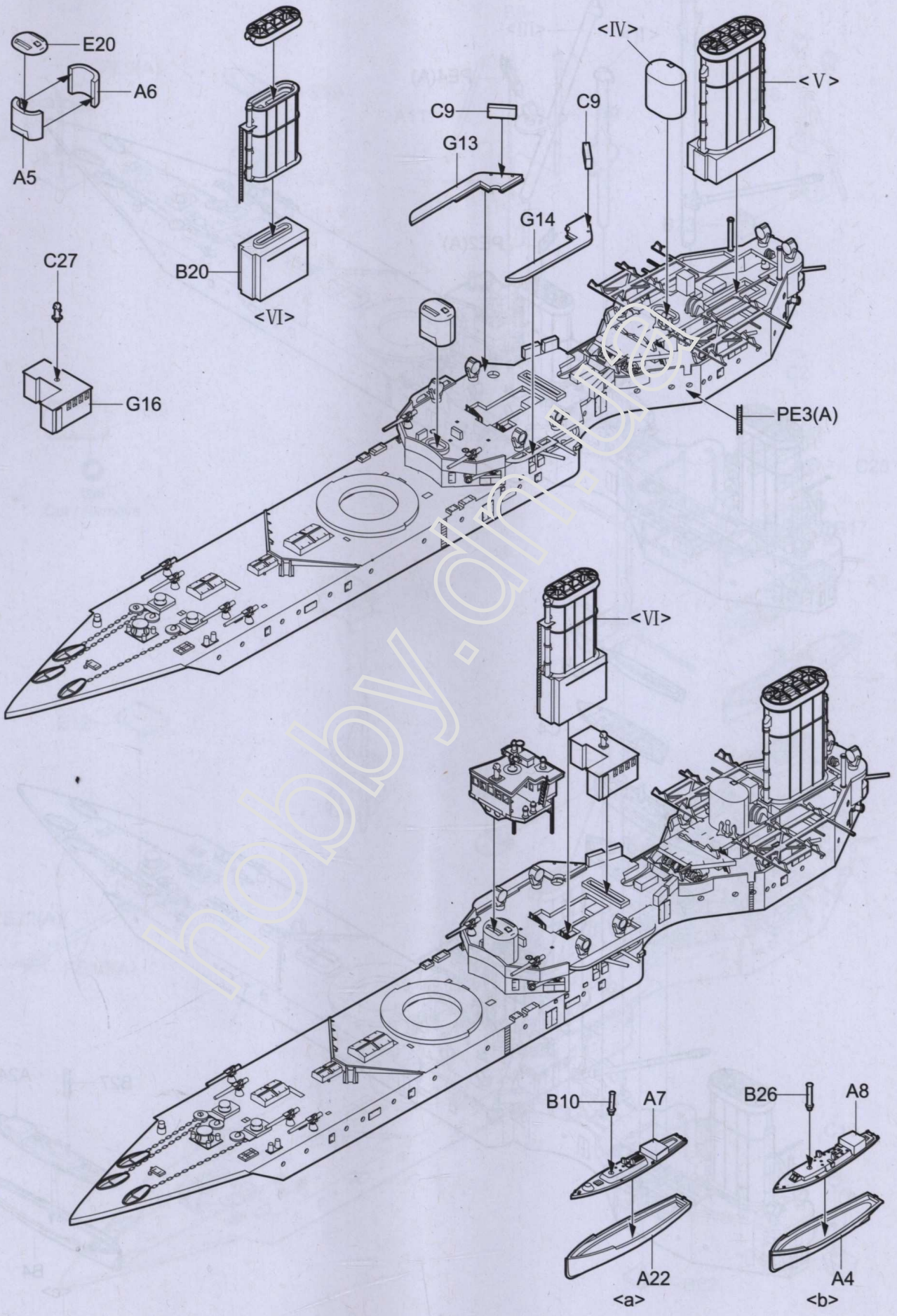
4



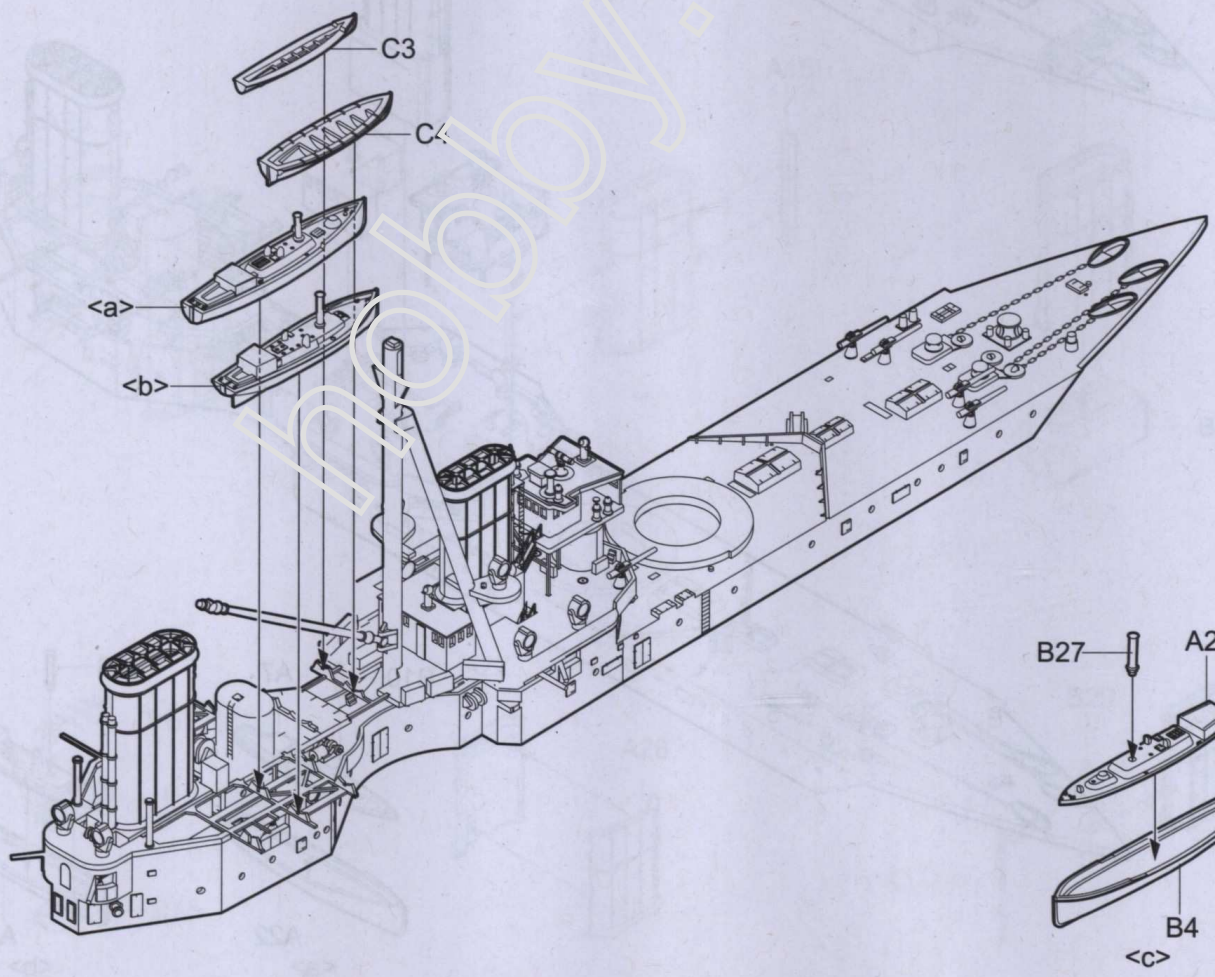
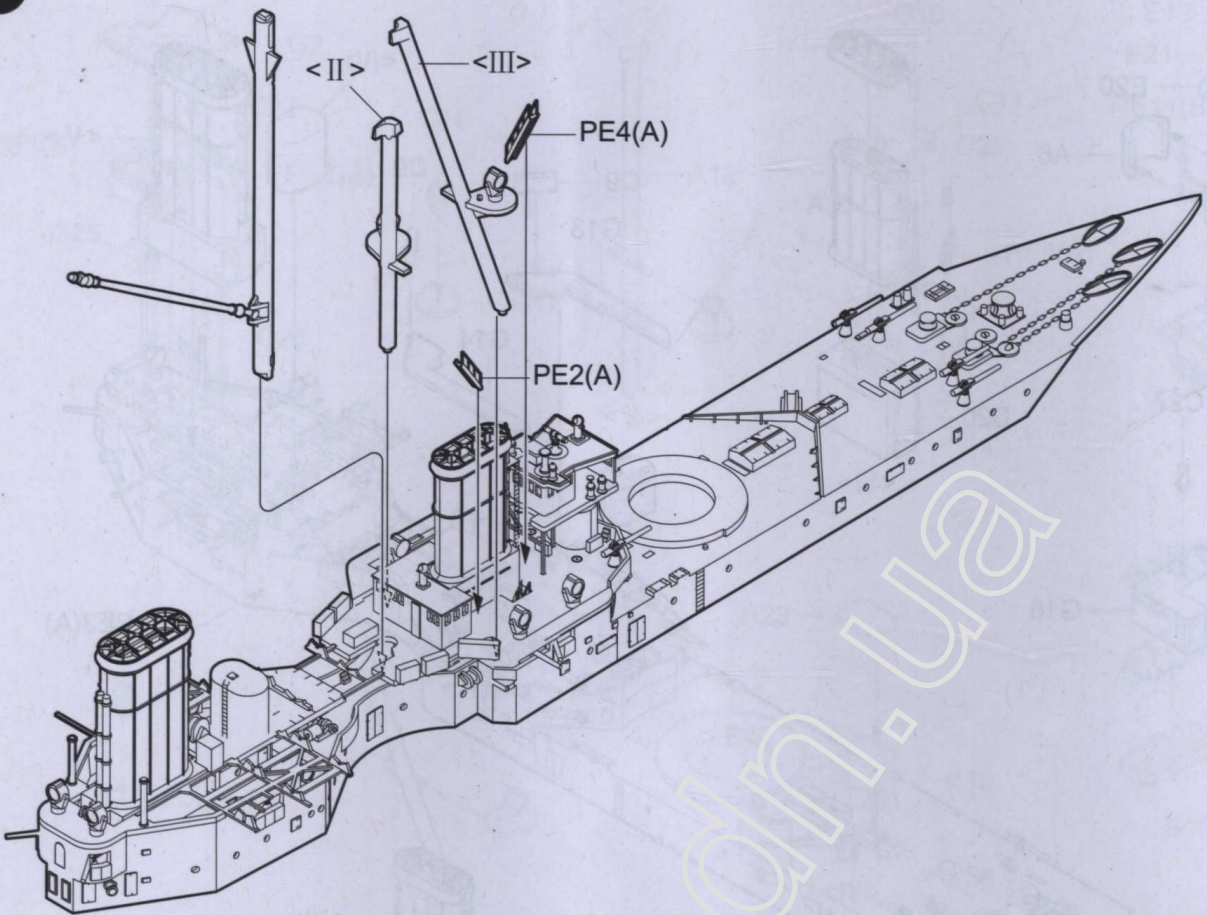
5



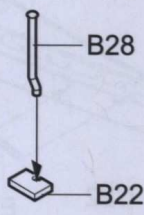
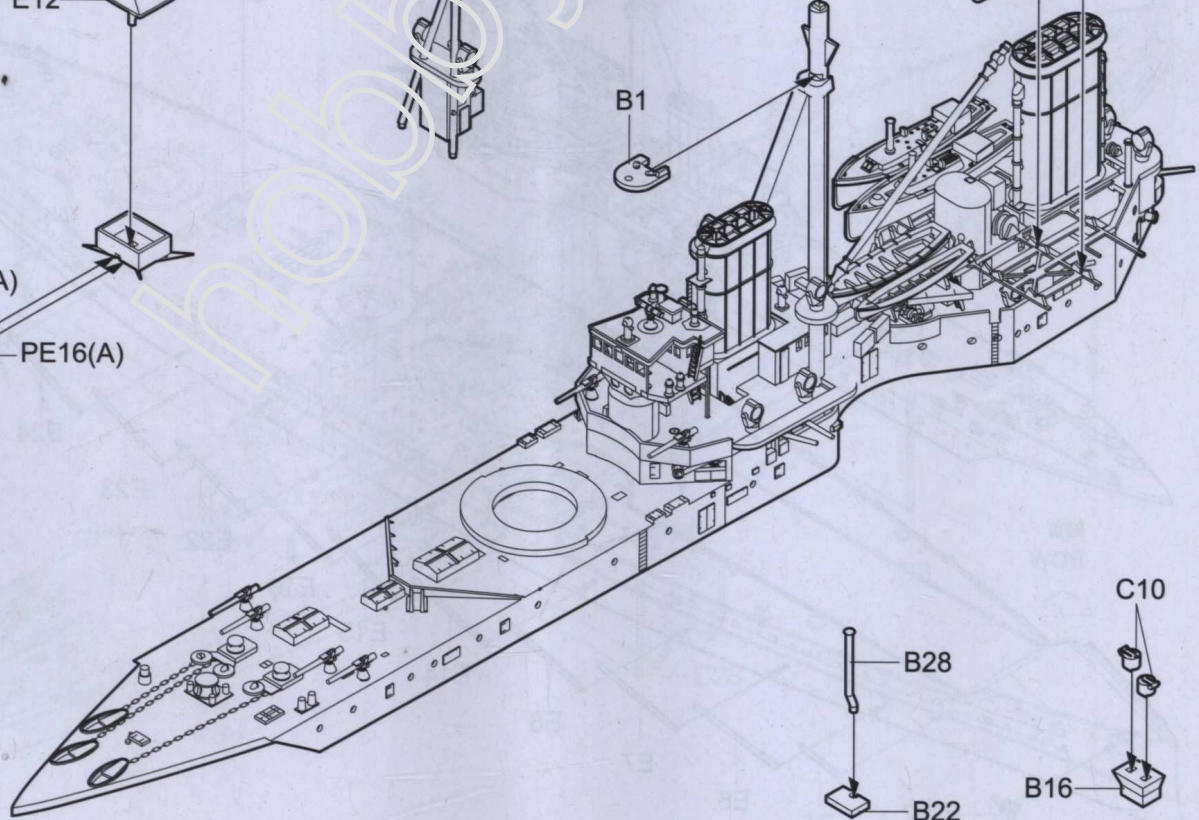
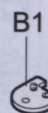
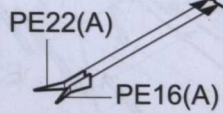
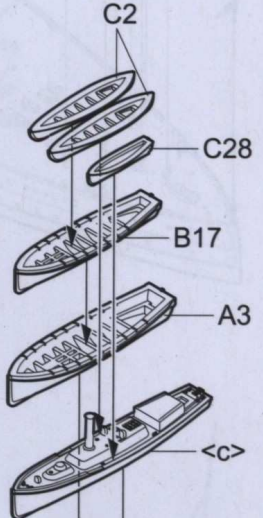
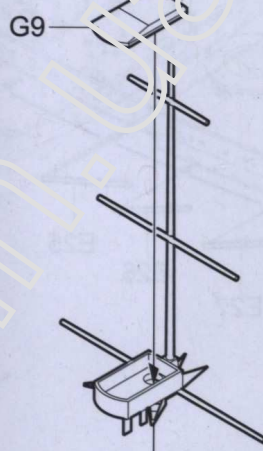
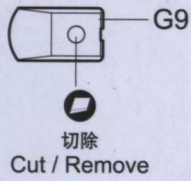
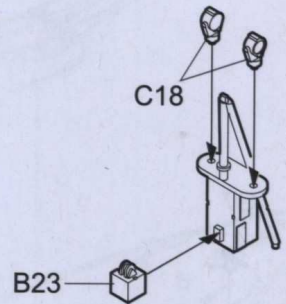
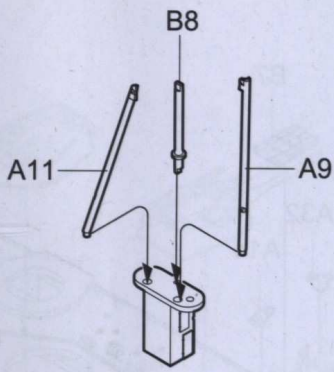
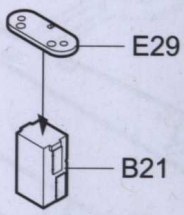
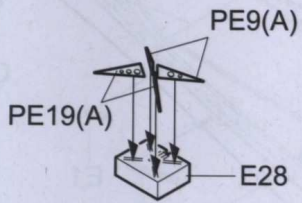
6



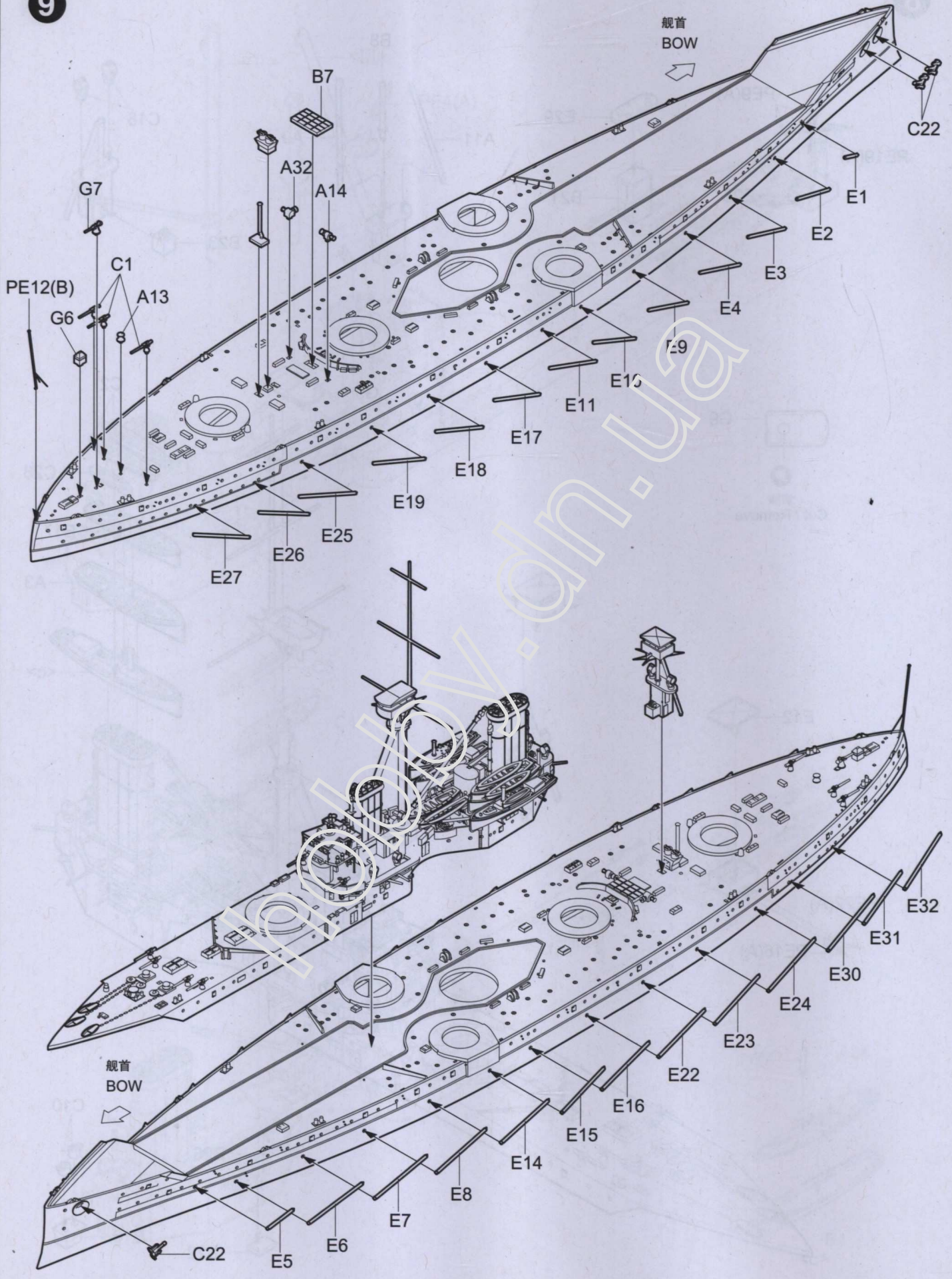
7

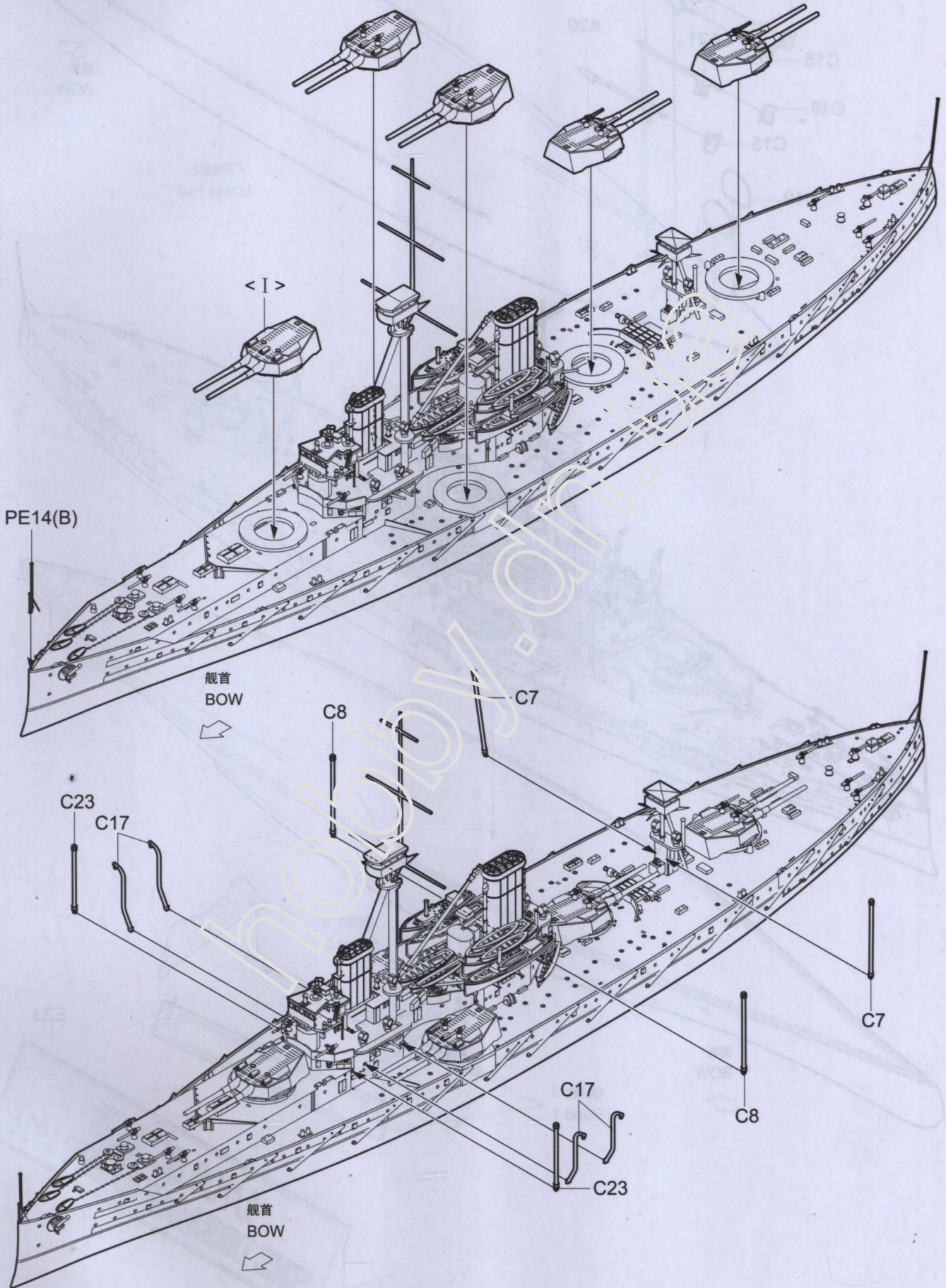


8

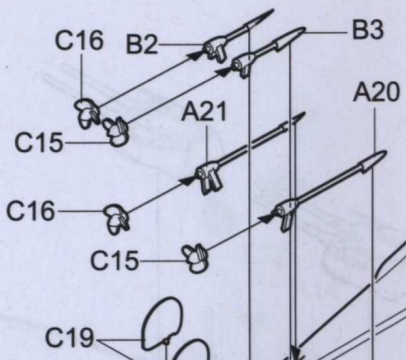


9



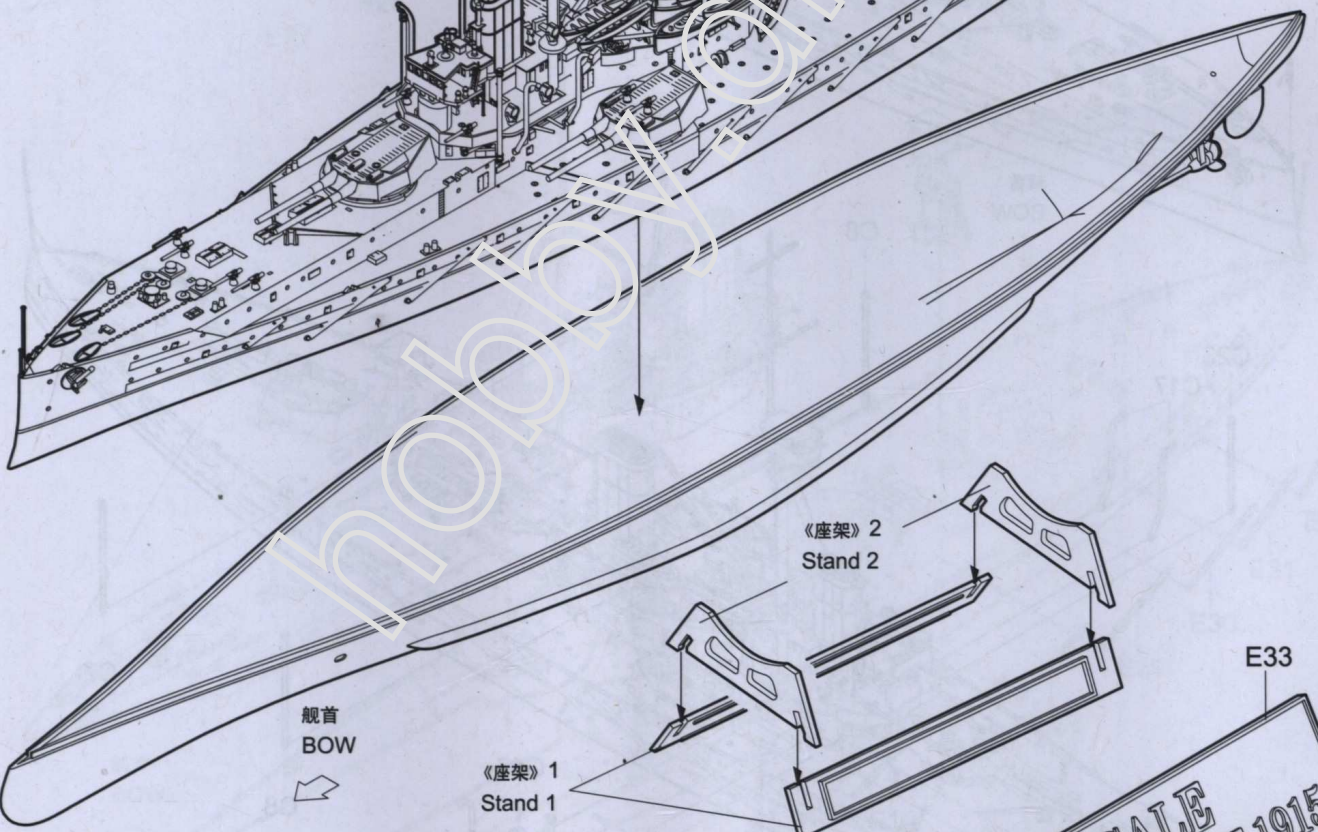
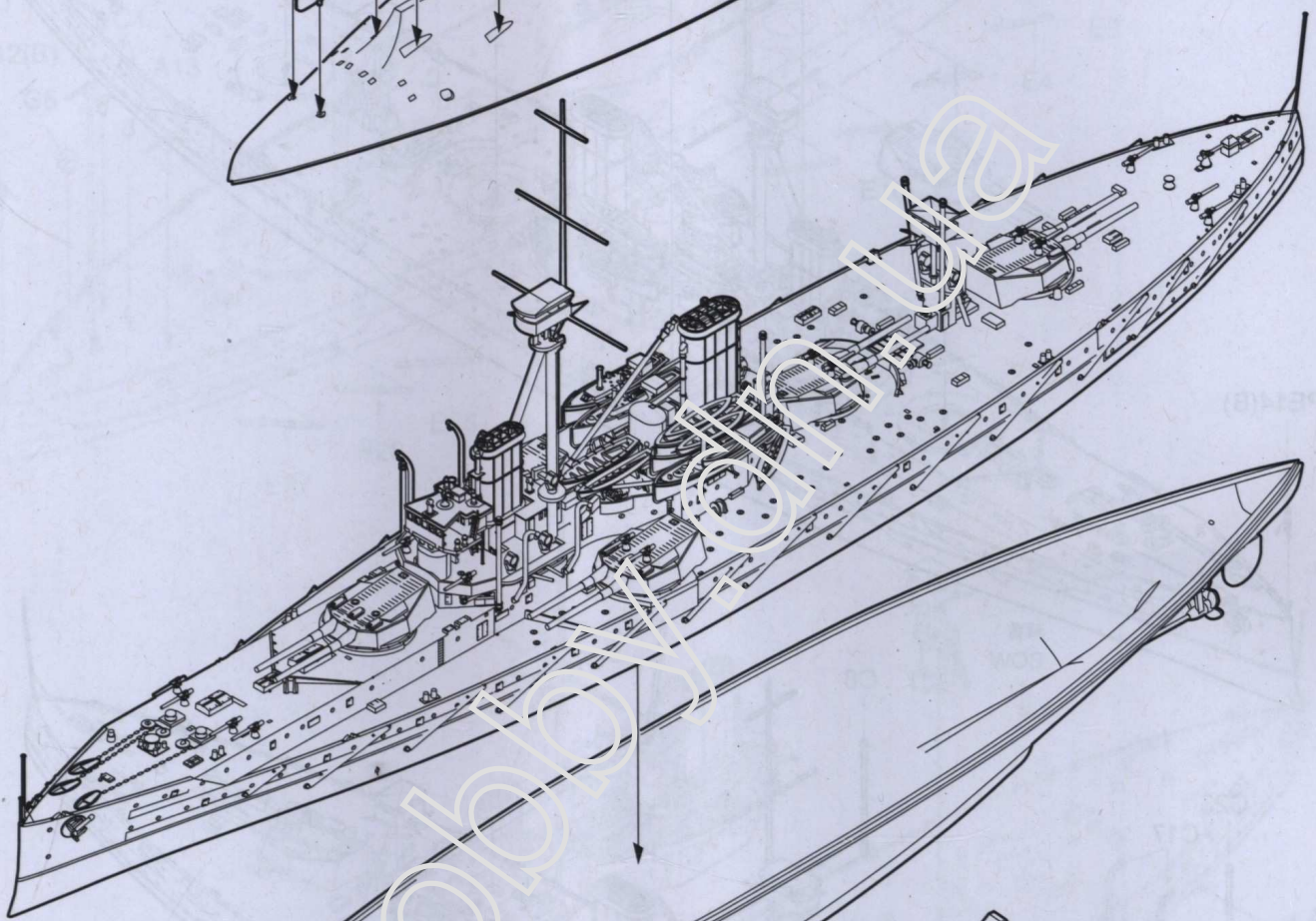


11



舰首
BOW

《下船底》
Lower Hull



舰首
BOW

E33

1/700 SCALE
HMS DREADNOUGHT 1915

涂装同标贴指示

Painting & Marking guide

PAINT REFERENCE COLOUR

Color	Mr.Hobby	Vallejo	Model Master	Tamiya	Humbrol
Flat Black 清漆黑	H 12 33	950	1749	XF1	33
Gold 金色	H 9 9	878	1744	XF2	8
Steel 黑铁色	H 18 28	864	1402	--	--
Tan 棕褐色	H 27 44	981	--	--	9

PAINT REFERENCE COLOUR

Color	Mr.Hobby	Vallejo	Model Master	Tamiya	Humbrol
Sea Gray 海灰色	H 333 333	994	--	XF50	123
Red 红色	H 17 29	985	--	XF9	177
Gray 灰色	H 311 311	883	1733	XF55	28
SC06 油漆甲板色	H 06	--	--	--	--
Flat white 哑光白	H 11 62	951	1768	XF2	34



H AQUEOUS HOBBY COLOR Mr. COLOR

06705 1/700 HMS Dreadnought 1915