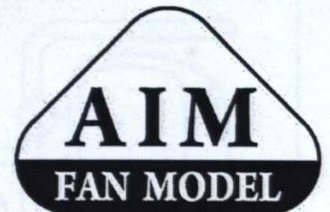


Heinkel He-60C-D



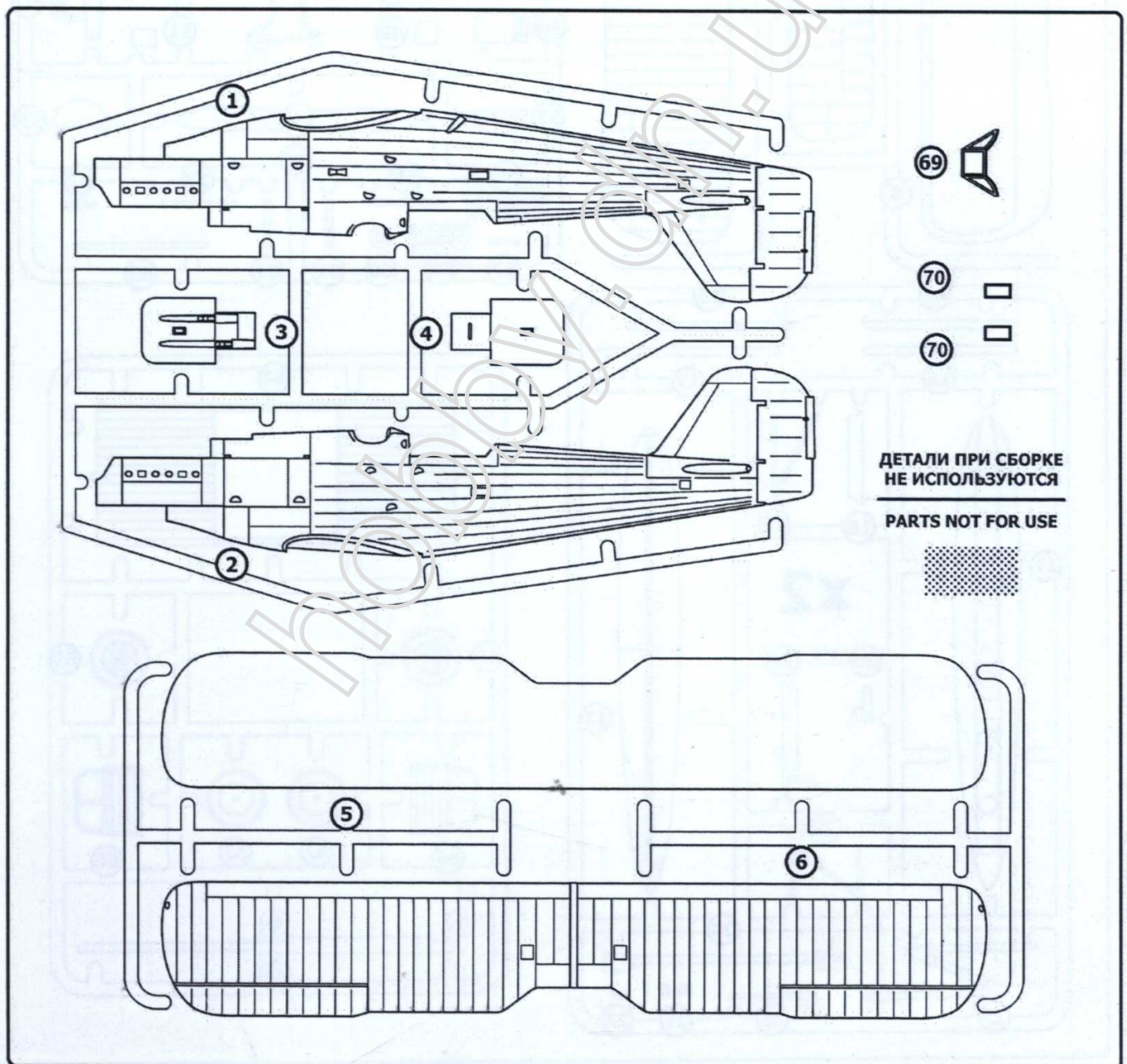
Model kit

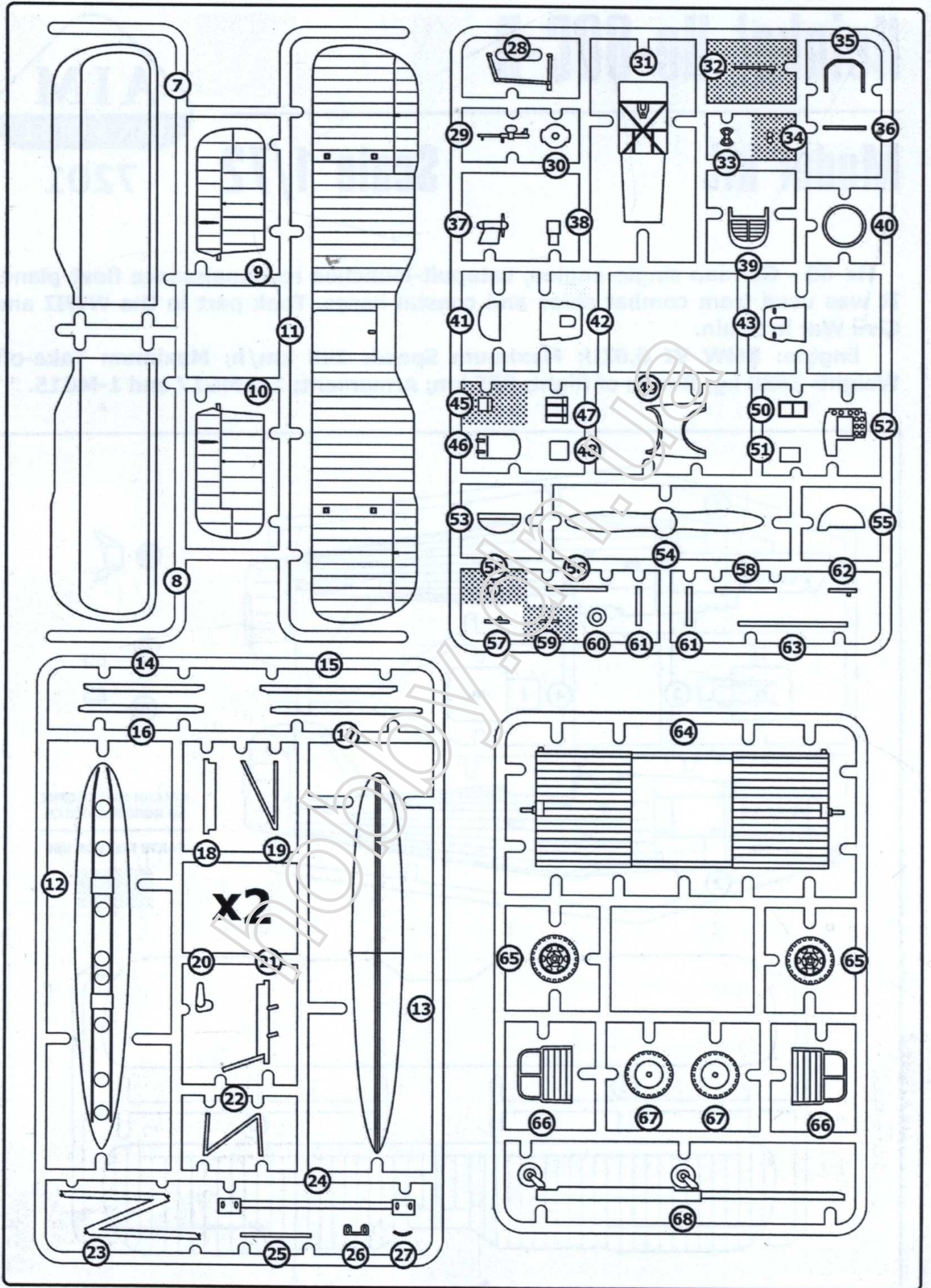
Scale 1/72

7201

He-60 - German single-engine, catapult-launched reconnaissance float-plane. It was used from combat ships and coastal bases. Took part in the WWII and Civil War in Spain.

Engine: BMW VI 6,0ZU; Maximum Speed: 240 km/h; Maximum Take-off Weight: 3630 kg; Range of flight: 825 km; Armament: 1-2 MG17 and 1-MG15.



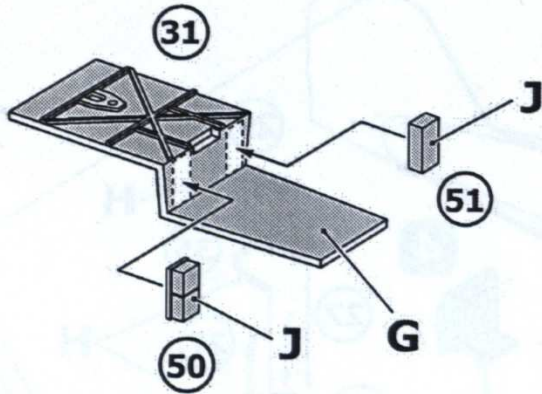


1

31

50

51



2

26

28

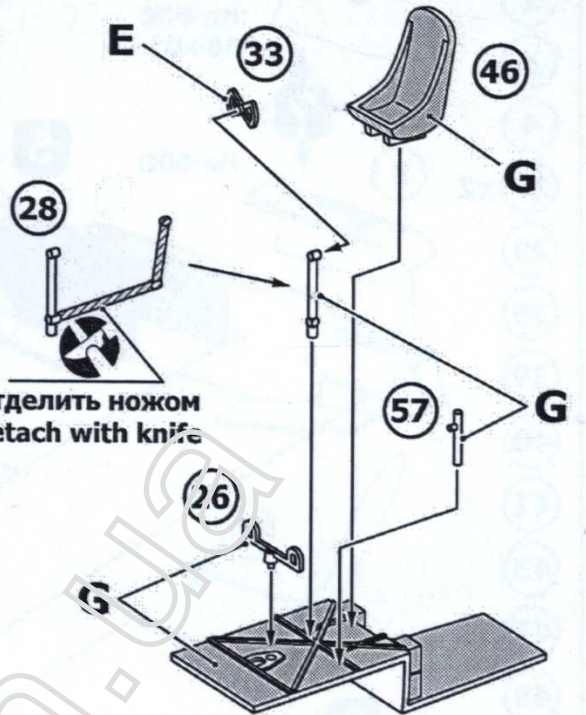
33

46

57

1

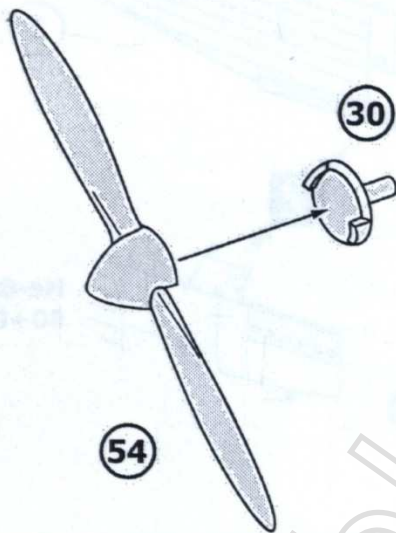
Отделить ножом
Detach with knife



3

30

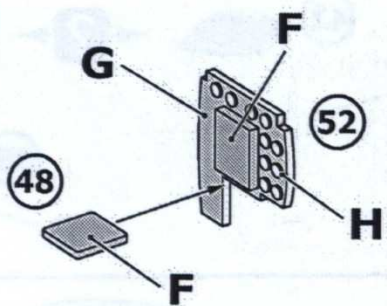
54



4

48

52



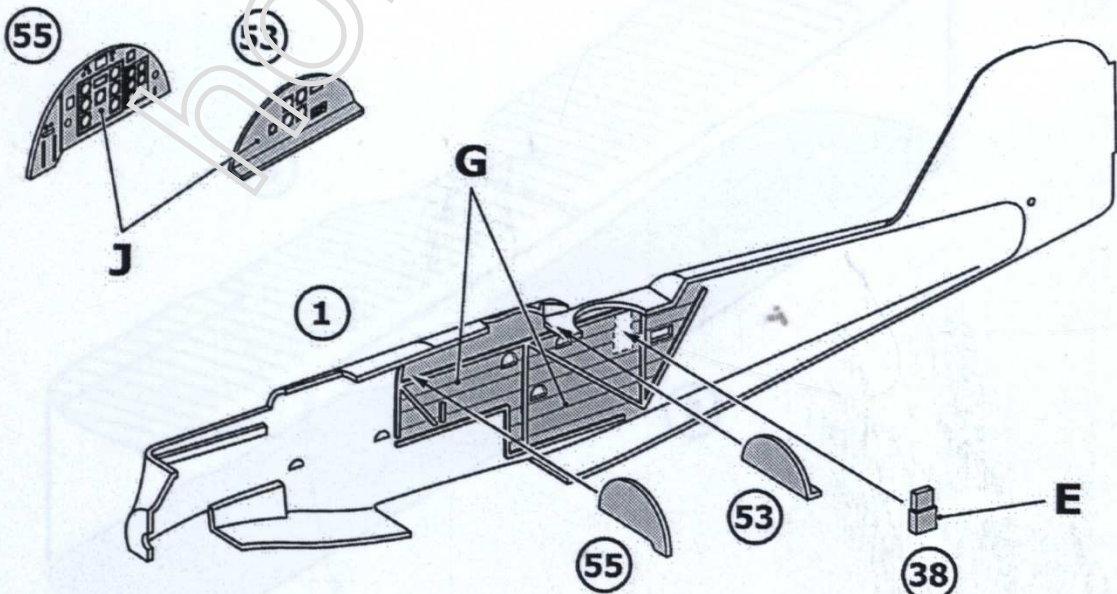
5

1

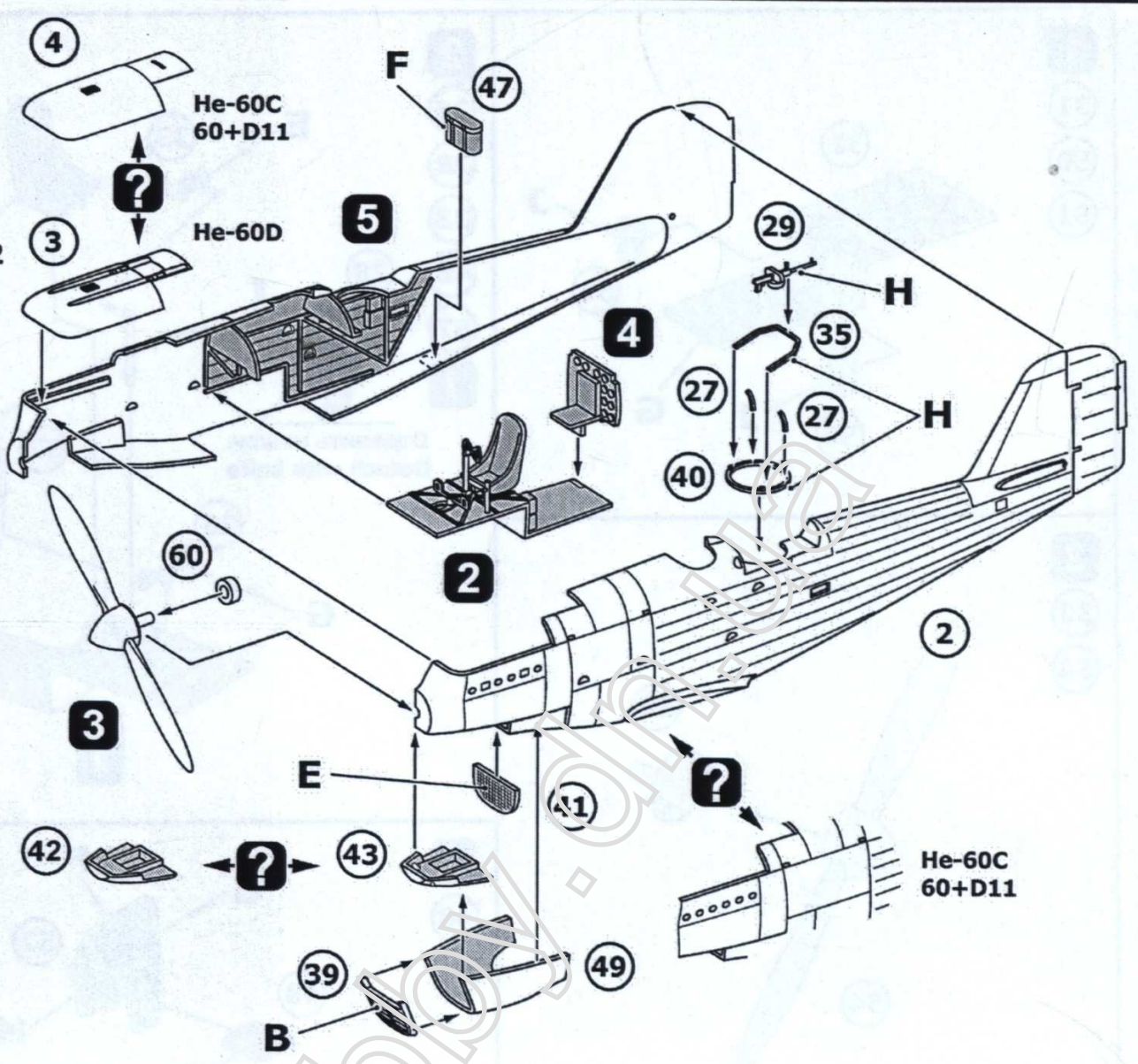
38

53

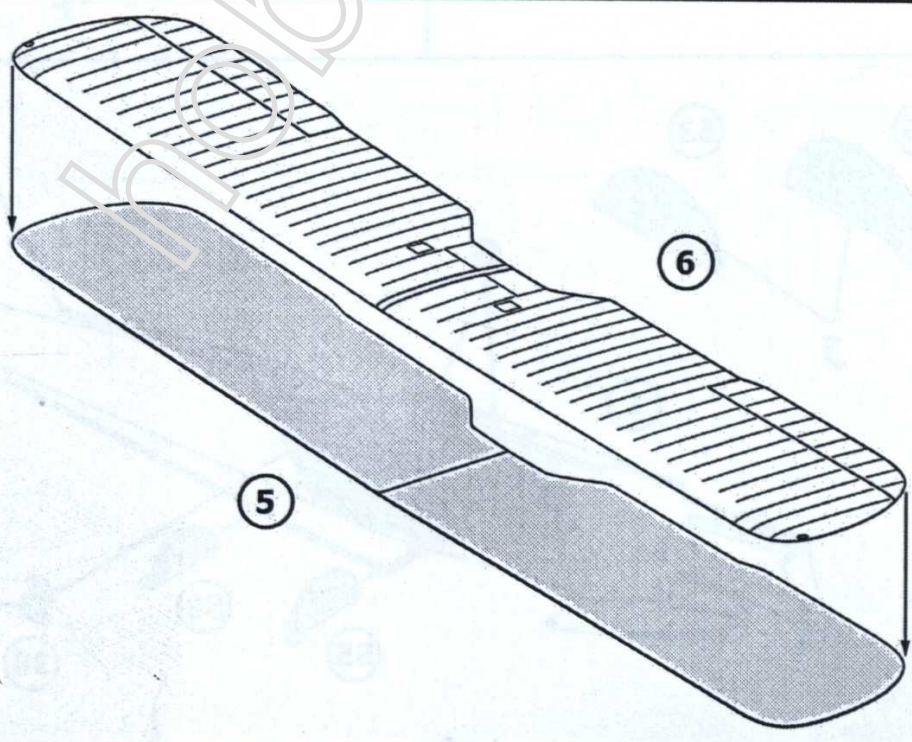
55

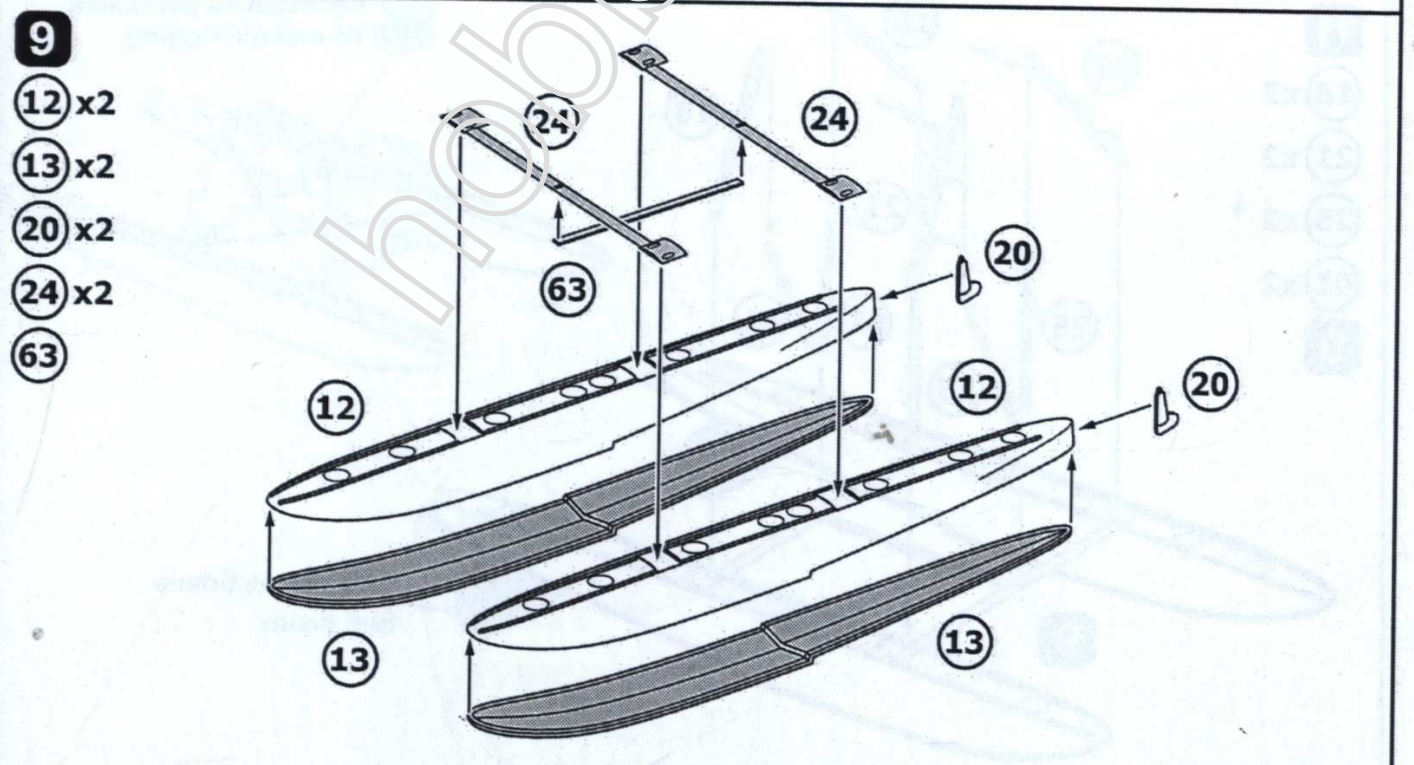
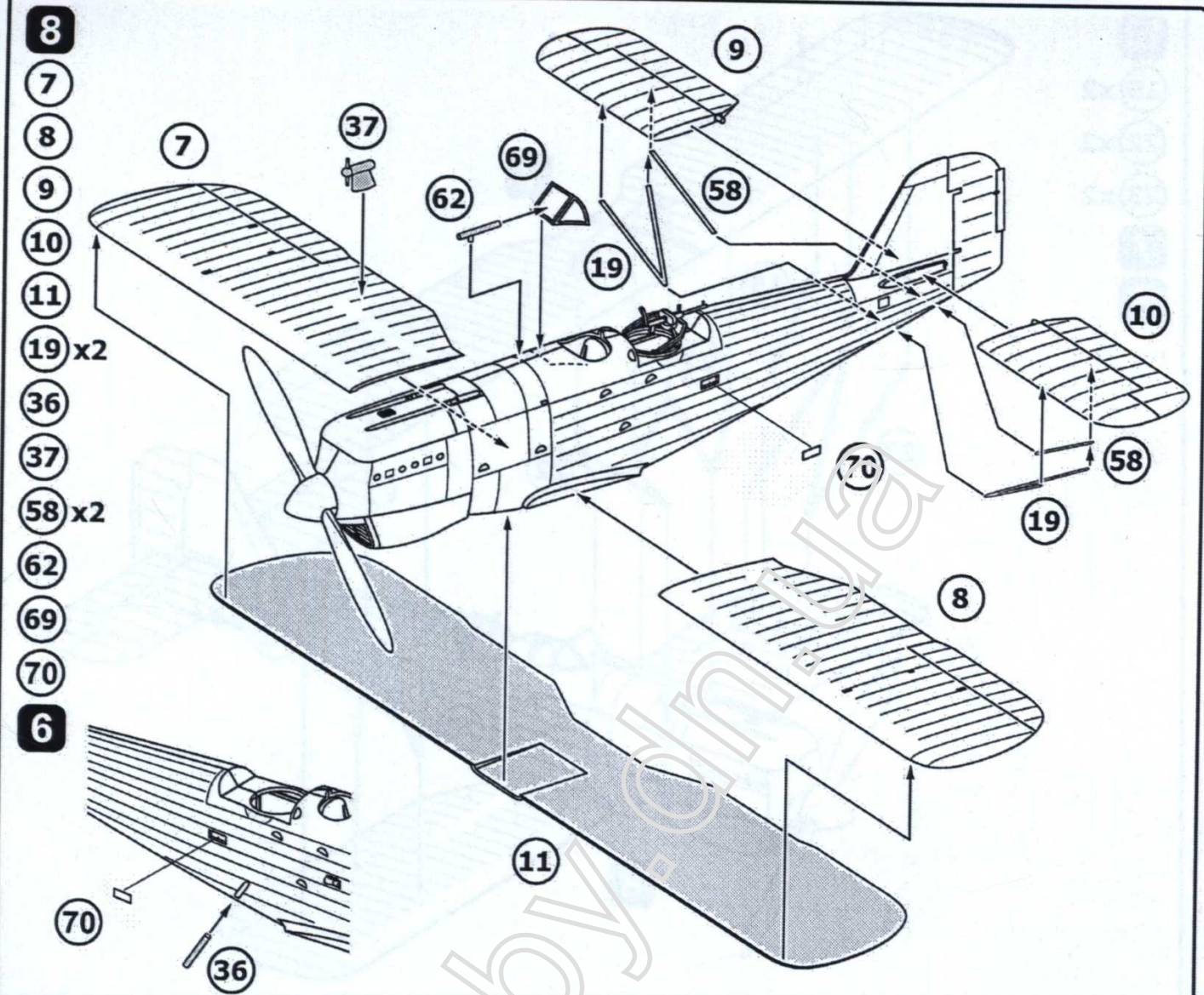


- 6**
- 2**
- 3**
- 4**
- 27** x2
- 29**
- 35**
- 39**
- 40**
- 41**
- 43**
- 47**
- 49**
- 60**
- 2**
- 3**
- 4**
- 5**



- 7**
- 5**
- 6**





10

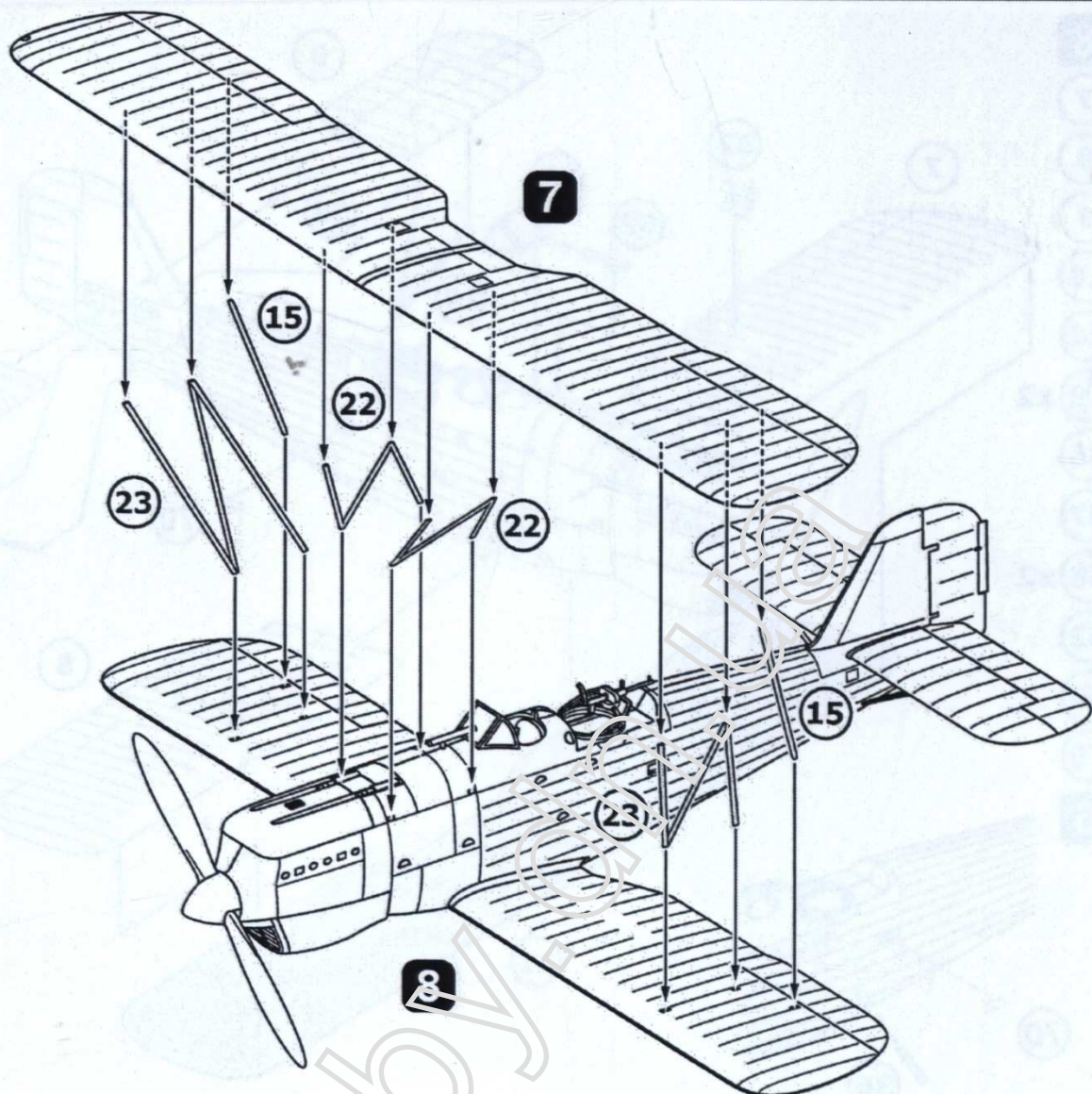
15 x2

22 x2

23 x2

7

8



11

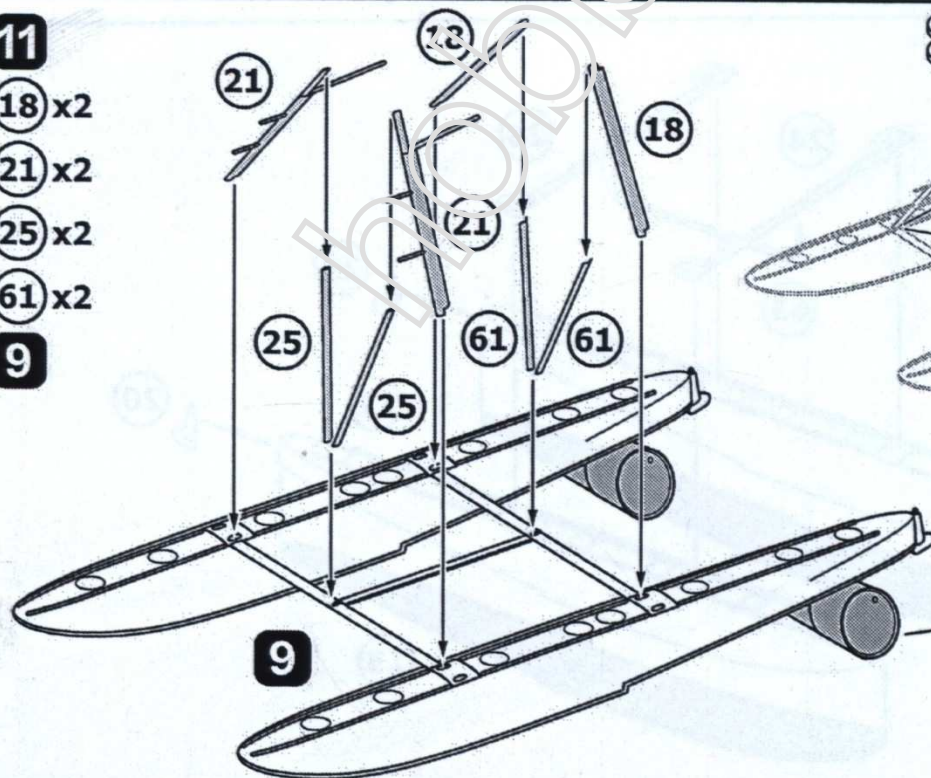
18 x2

21 x2

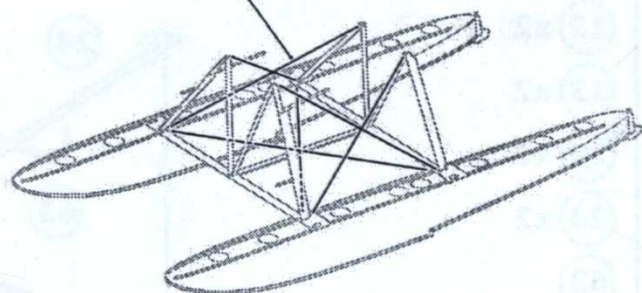
25 x2

61 x2

9



Изготовить растяжки
To make a rigging



топливная бочка
fuel drum

12

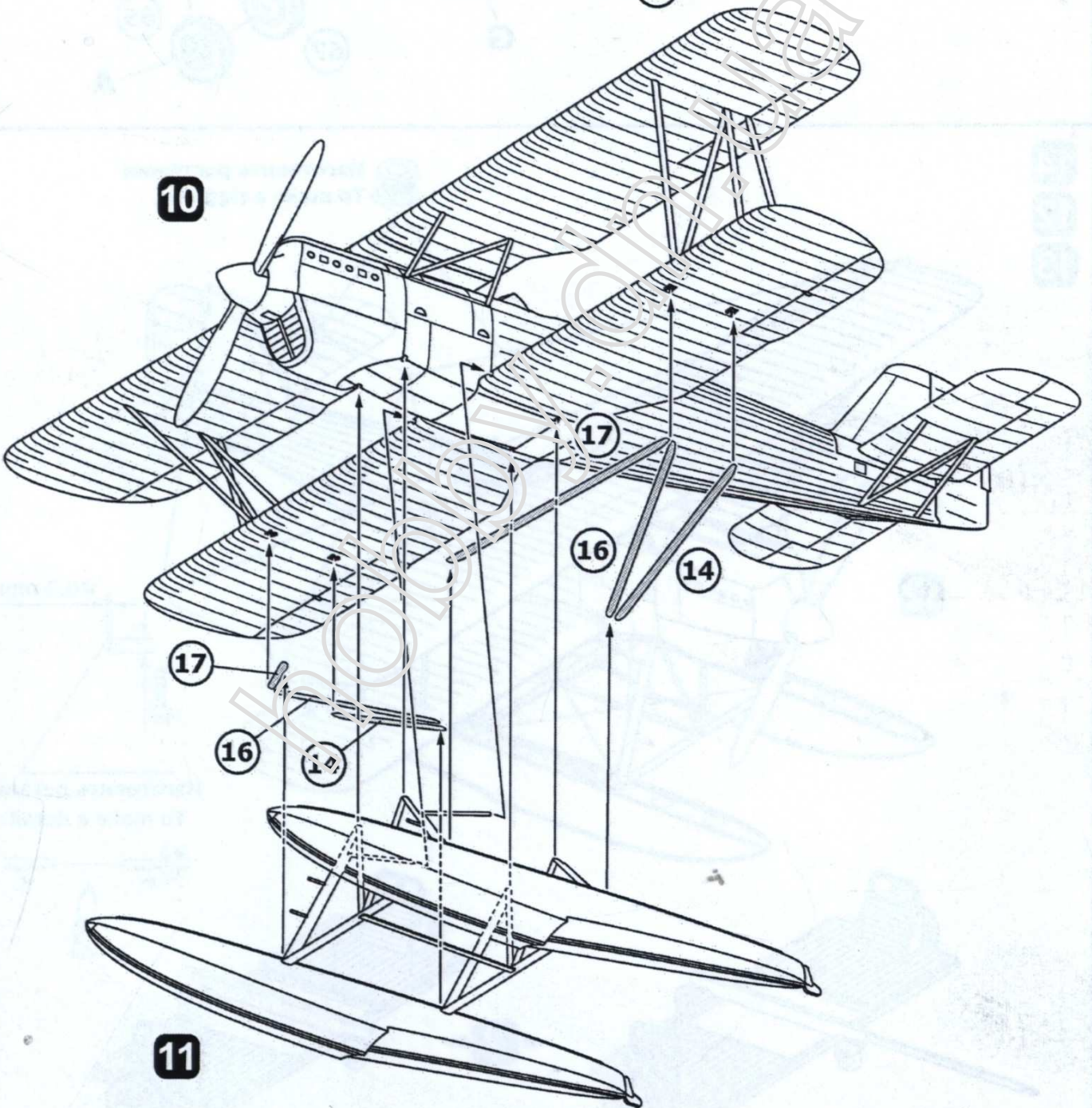
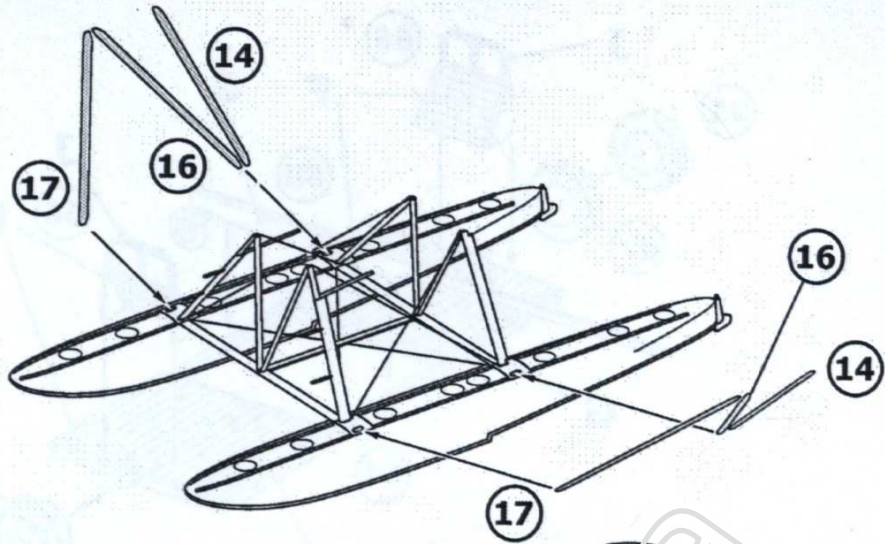
14 x2

16 x2

17 x2

10

11



13

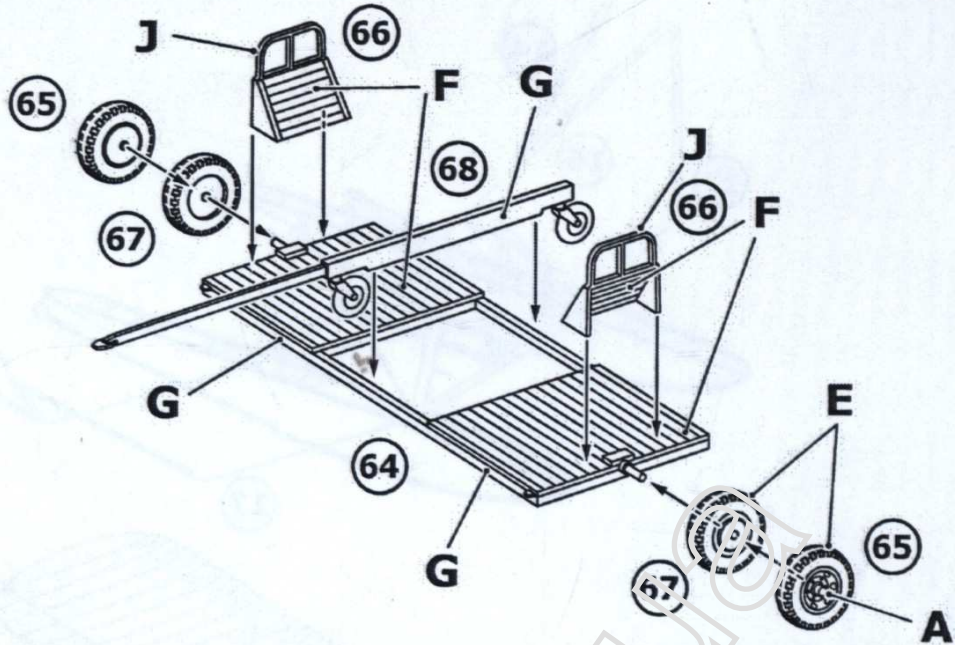
64

65 x2

66 x2

67 x2

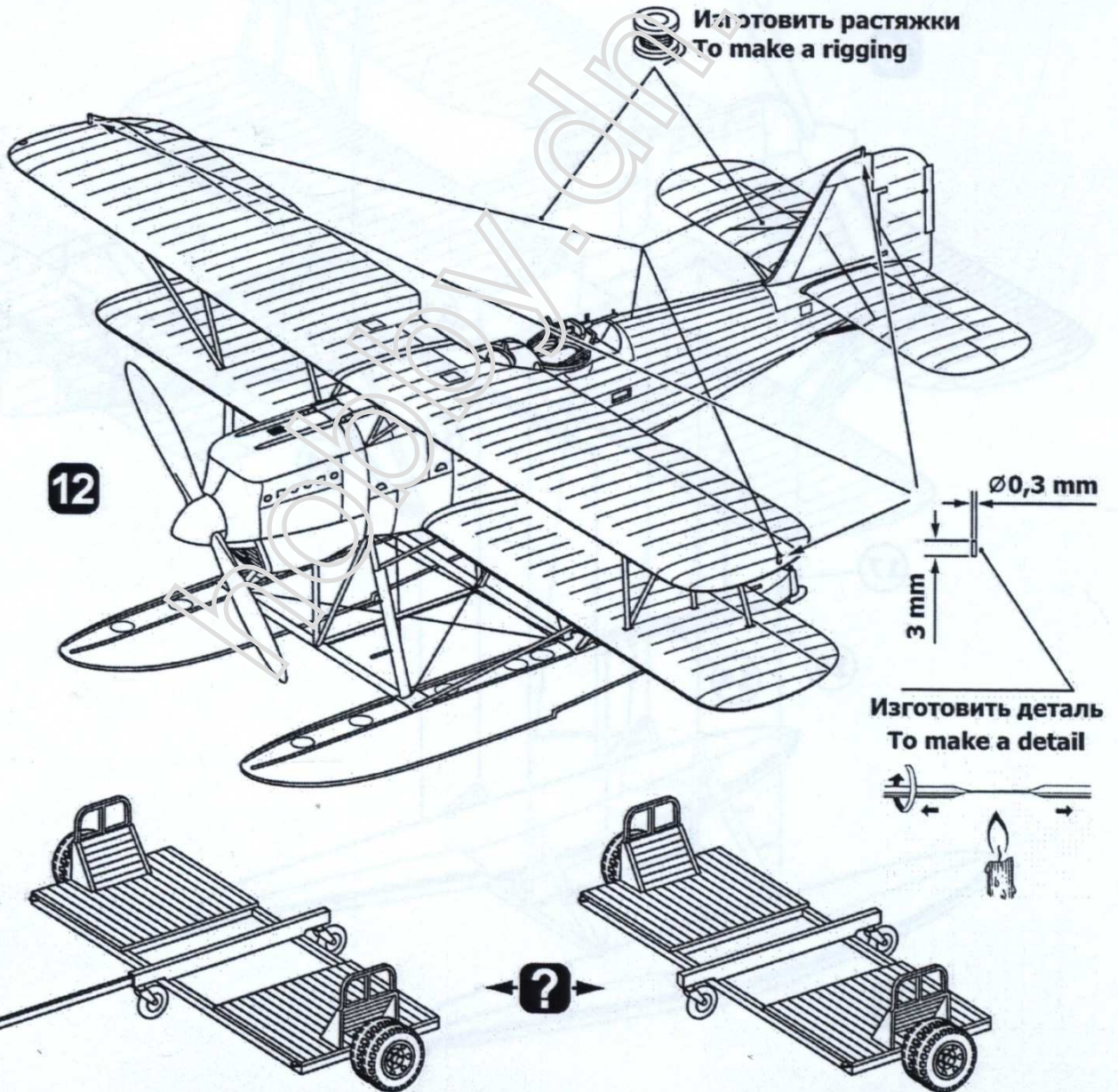
68



14

12

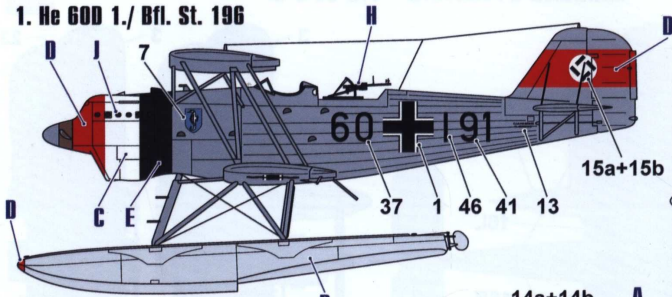
13



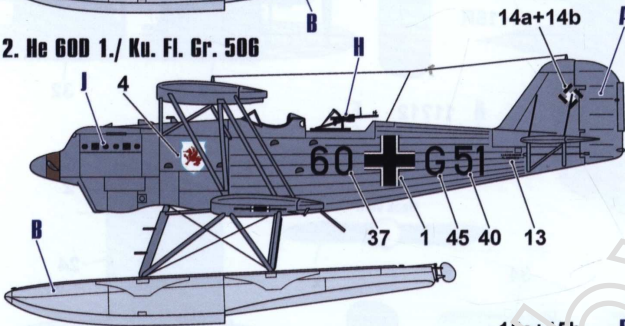
MARKING & PAINTING He 60C-D



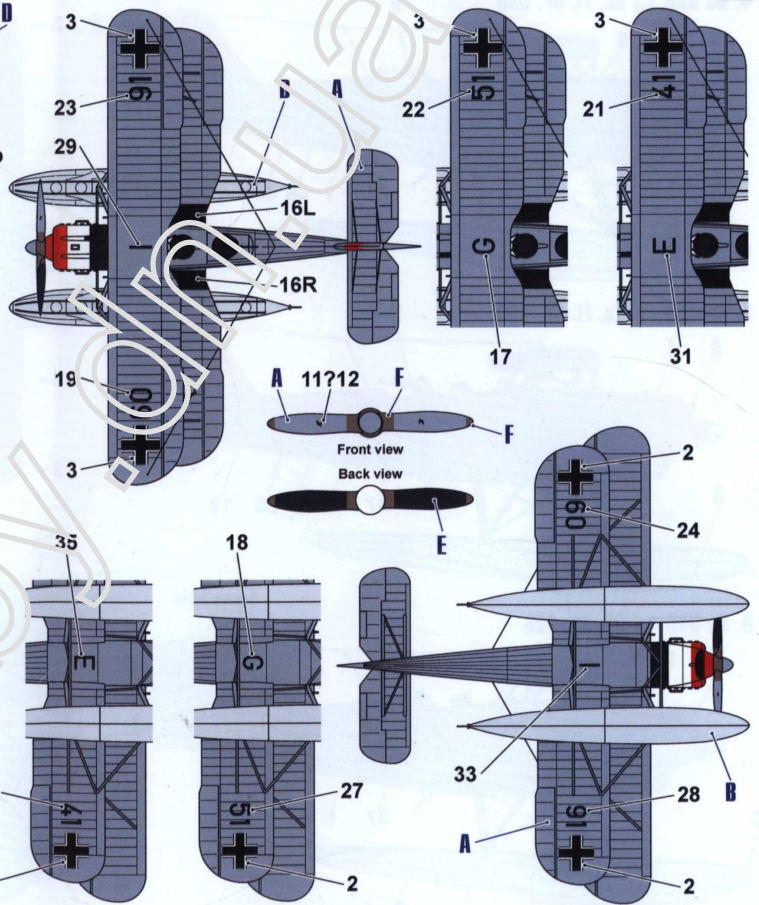
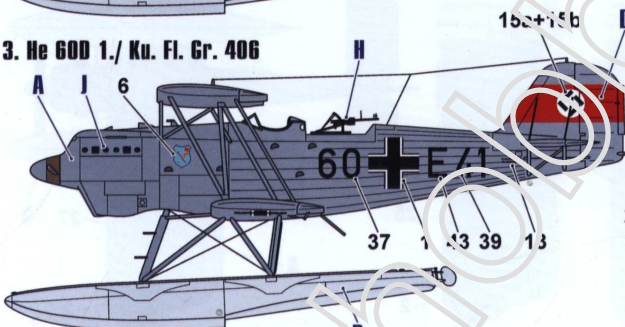
1. He 60D 1./ Bfl. St. 196



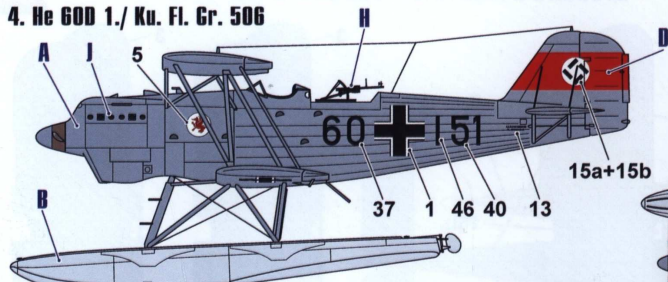
2. He 60D 1./ Ku. Fl. Gr. 506



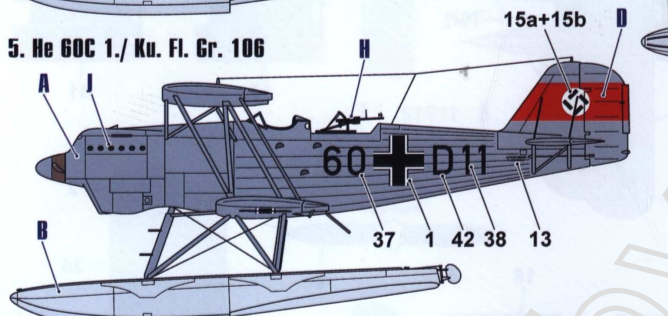
3. He 60D 1./ Ku. Fl. Gr. 406



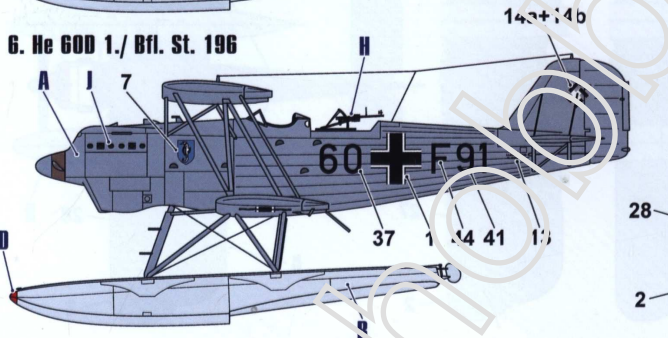
4. He 60D 1./ Ku. Fl. Gr. 506



5. He 60C 1./ Ku. Fl. Gr. 106



6. He 60D 1./ Bfl. St. 196



MARKING & PAINTING He 60C-D

